

# TREADMILL, 425T

425T-03

## Parts Manual

1/5/2019 4:32:06 AM

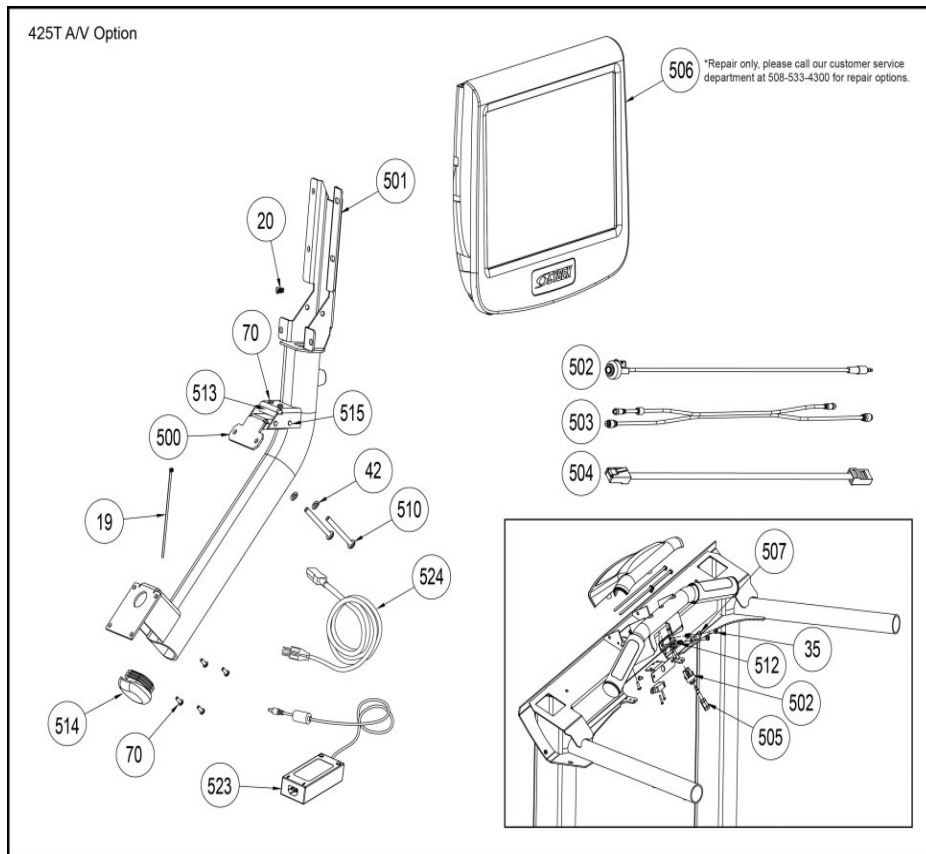


**Table of Contents**

---

[AV Option](#).....3  
[Belt Deck Rollers \(After A0901\)](#).....5  
[Console Assembly](#).....7  
[Drive Motor Assembly \(After E0504\)](#).....8  
[Elevation Assembly](#).....10  
[Frame Assembly \(After A0901\)](#).....11  
[Idler Pulley Assembly](#).....13  
[Parts not shown](#).....14  
[Upright Assembly](#).....16

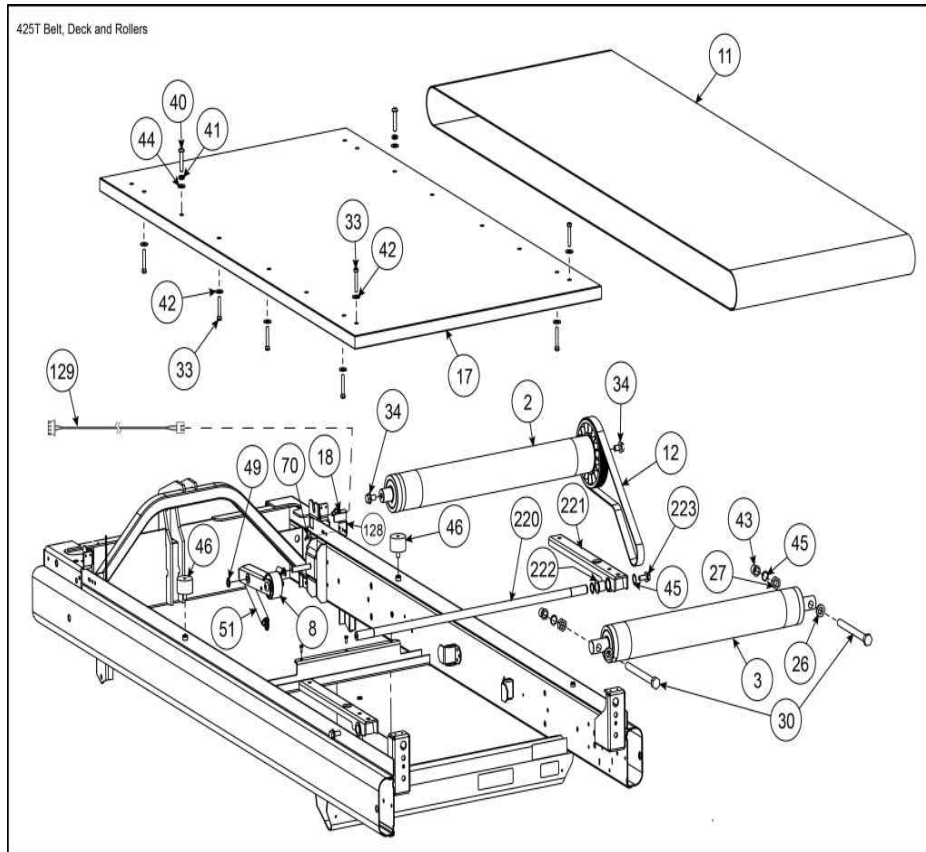
### AV Option



Ref #	Part Number	Qty	Description
19	EH-00986	1	TY WRAP, T B TYB-25M 9 in
20	EH-10291	1	TY WRAP BASE
35	HS-16939	2	SCREW SEMS, 10-32X.75, PNHD, BLK
42	HW-00180	2	WSHR LOCK SPLIT 1-4, SST, BLK PASSIVATE
50	HS-11977	4	SCREW SEMS, 8-32X.38, PNHD PHIL, EXT, STL, BLK ZN
500	AF-19876	1	BRACKET, UPPER MOUNT, 425T 445T
501	AF-21142	1	WELD, PEM MNT, 2ND GEN, 425T 445T
502	AW-17694	1	CABLE AUDIO 1/4 in To 3-1/2 MM
503	AW-21680	1	CABLE, 750A 4XXT, LOCKING RF&DC POWER
504	AW-20111	1	CABLE, 5E BONDED PAIR RJ45 ROUN
505	CN-17687	1	ADAPTER, 1-4 PLUG TO 1-8 JACK
506	RACP-22564	1	NC R&R RE-MFG MONITOR 15.6in ATSC NTS
507	FS-17698	1	CLAMP, HEADPHONE ADAPTER
510	HS-19369	2	SCREW 1-4-20 X 2.25, PNHD PHIL,
512	HX-12244	1	SPRING COMPRESSION BRUSH
513	HX-19976	1	BUSHING, STUD PLATE, 8-32, 6LB MA
514	HX-20032	1	INSERT, DOMED PLASTIC
515	HX-20220	1	PLUG, HOLE .187 DIA, BLACK
523	TR-21265	1	NLA: POWER SUPPLY, 12VDC, 120-240VAC, 6.0A
524	AW-14007	1	W-LOCKING PLUG
		1	POWER CORD, 115V, 60HZ PWR SUPPLY IEC320 (SJT)

<b>Ref #</b>	<b>Part Number</b>	<b>Qty</b>	<b>Description</b>
524	AW-22229	1	POWER CORD,10A,250V IEC 60320
524	AW-20192	1	POWER CORD,100V,50HZ,2.5M IEC-
524	WR-14012	1	POWER CORD,230V,10A,CEE 7-7,2M PN: 199-000
524	AW-20193	1	POWER CORD,250VAC 10A,2.5M IEC

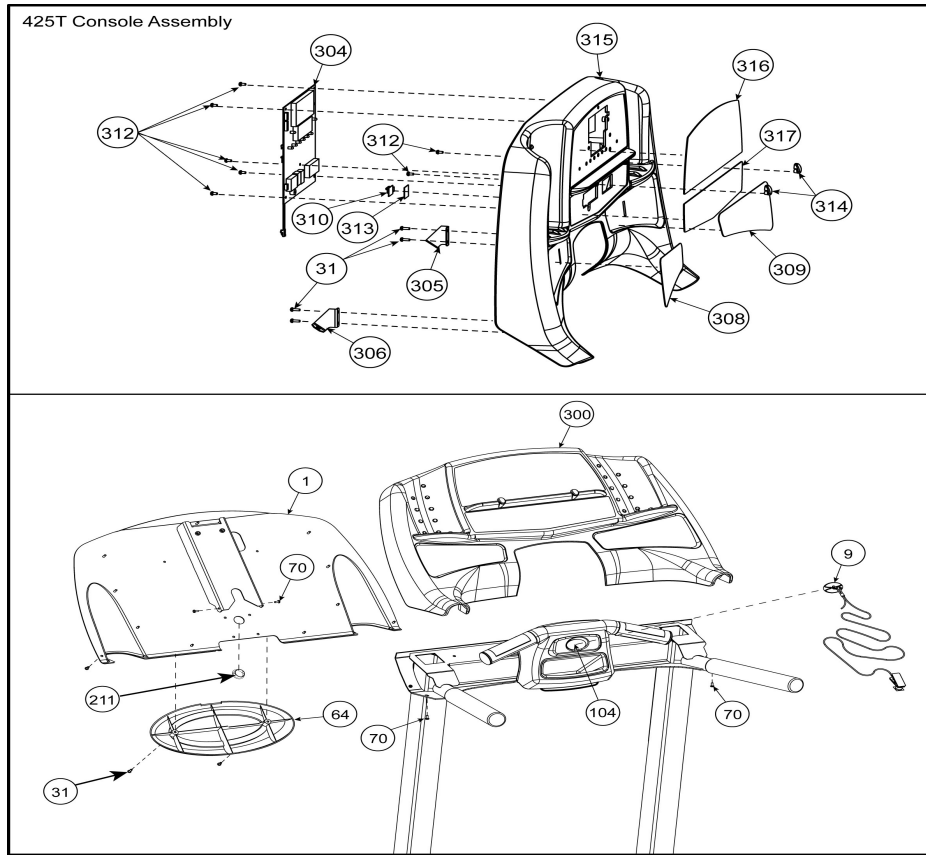
## Belt Deck Rollers (After A0901)



Ref #	Part Number	Qty	Description
2	AL-18596	1	ROLLER FRONT,2.717" OD
3	AL-18597	1	ROLLER REAR 2.717in OD
8	AX-18729	1	ASSY,IDLER BRKT
11	BD-18763	1	BELT,RUNNING,19.88 X 59.75
12	BD-18917	1	BELT, POLY-V,320J8
17	DK-18401	1	DECK,RUNNING,27.50 X 51.50 X 1
18	EC-18573	1	SPEED SENSOR,THREADED BODY
26	HB-16367	2	BUSHING .50IDX.62ODX.31LG,FLAN
27	HN-10029	2	NUT 1-2-13 HEX STL ZINC
30	HS-00261	2	BOLT,1-2-13X5.5,HXHD
33	HS-16628	10	BOLT,1-4-20X1.5,HXHD,G8
34	HS-16929	2	BOLT WHIZ LCK,3-8-16X.625,HXHD
40	HS-41107	2	BOLT,5-16-18X1.5,BTHD,SST,BLK
41	HW-00165	2	WSHR SPLIT LOCK 5-16 ZINC
42	HW-00180	8	WSHR LOCK SPLIT 1-4,SST,BLK PASSIVATE
43	HW-00590	2	BUSHING,NYLON,1-2 in
44	HW-18123	2	WSHR,.344IDX.75 ODX.125THK,HAR
45	HX-13771	2	RING,RETAIN,5-8" .579 FR.ID
46	HX-19981	2	BUSHING,DECK 5/16-18 50LBS MAX
49	HX-19529	1	GRIP RING RETAINING 3/8 in 555
51	HX-19052	1	SPRING, EXTENSION .125 X .75 X
70	HS-11977	1	SCREW SEMS,8-32X.38,PNHD PHIL,EXT,STL,BLK ZN

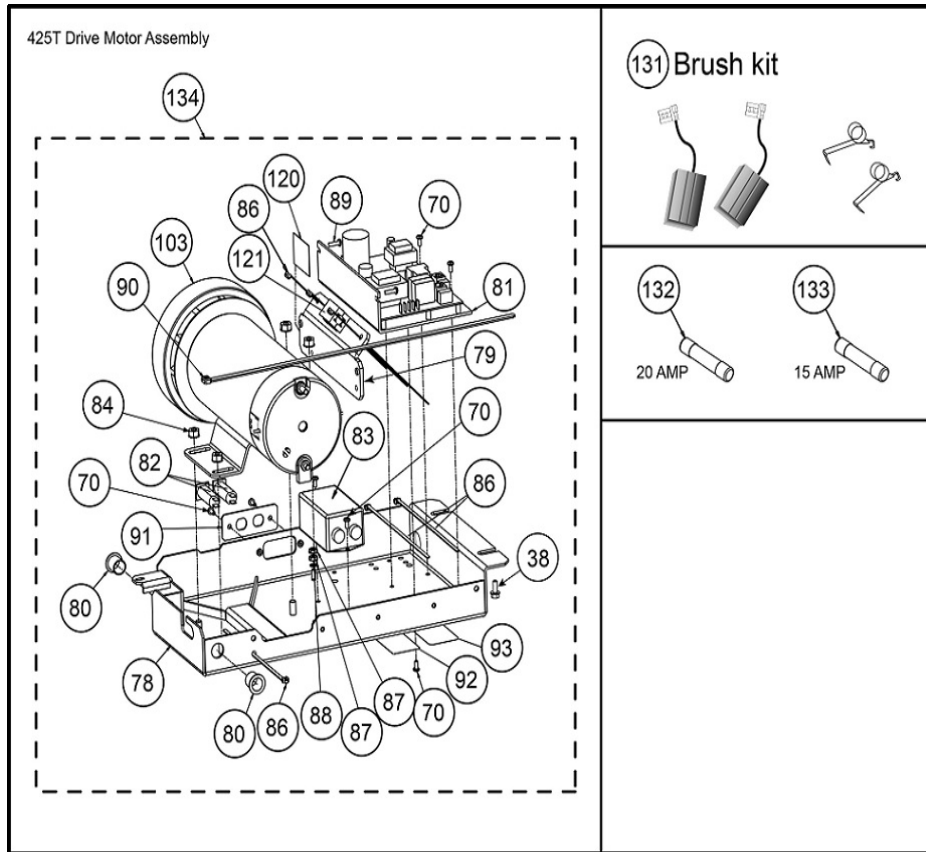
<b>Ref #</b>	<b>Part Number</b>	<b>Qty</b>	<b>Description</b>
128	AF-18570	1	BRKT,SPEED SENSOR
129	AW-18574-Q	1	CABLE,SPEED SENSOR EXT
220	FM-19513	1	SHAFT,DECK PIVOT,425T 445T 455
221	AX-20035	2	ASSY,DECK PIVOT BRACKET
222	HB-18768	2	BEARING,IGUS LF-1011-12
223	HS-19108	2	SCREW 5-16-18X3-4LG,HXHD,WHIZ-

**Console Assembly**



Ref #	Part Number	Qty	Description
1	AF-18899	1	WELDMENT, CONSOLE BACK
9	AX-20944	1	ASSY, E-STOP KEY, MAGNET
31	HS-15706	6	SCREW, 8-16X.50, PNHD, STL, BLK ZN CLR, TYP WB
64	PL-19061	1	COVER, CONSOLE, BACK TRIM
70	HS-11977	4	SCREW SEMS, 8-32X.38, PNHD PHIL, EXT, STL, BLK ZN
104	DE-20685	1	DECAL, E-STOP, YELLOW
211	HX-18287	1	PLUG, HOLE, PLASTIC 1in, BLACK
300	AX-18545	1	
304	AD-21467-Q	1	EOL PCA, Display, 425T
304	AD-18207	1	NC R&R PCA, Display, 425T (Green)
305	AF-19187	1	BRKT, CONSOLE SUPPORT, RIGHT
306	AF-19188	1	BRKT, CONSOLE SUPPORT, LEFT
308	DE-18556	1	Decal, HR Zone
309	DE-18557	1	Decal Program Profiles CUS
310	630A-318	1	SENSOR WIRELESS HR RECEIVER
312	HS-41187	2	SCREW SLFTP, 8-16X.3125, PLASTITE
313	HX-17788	1	TAPE, DBL SIDED, .032THK
314	PL-17686	1	TAB, BOOK HOLDER
315	PL-18548	1	PLASTIC, FRONT CONSOLE, 425T 445
316	SW-21456	1	Keypad TOP 425/445T
317	SW-21458	1	Keypad AV BOT 4X5T

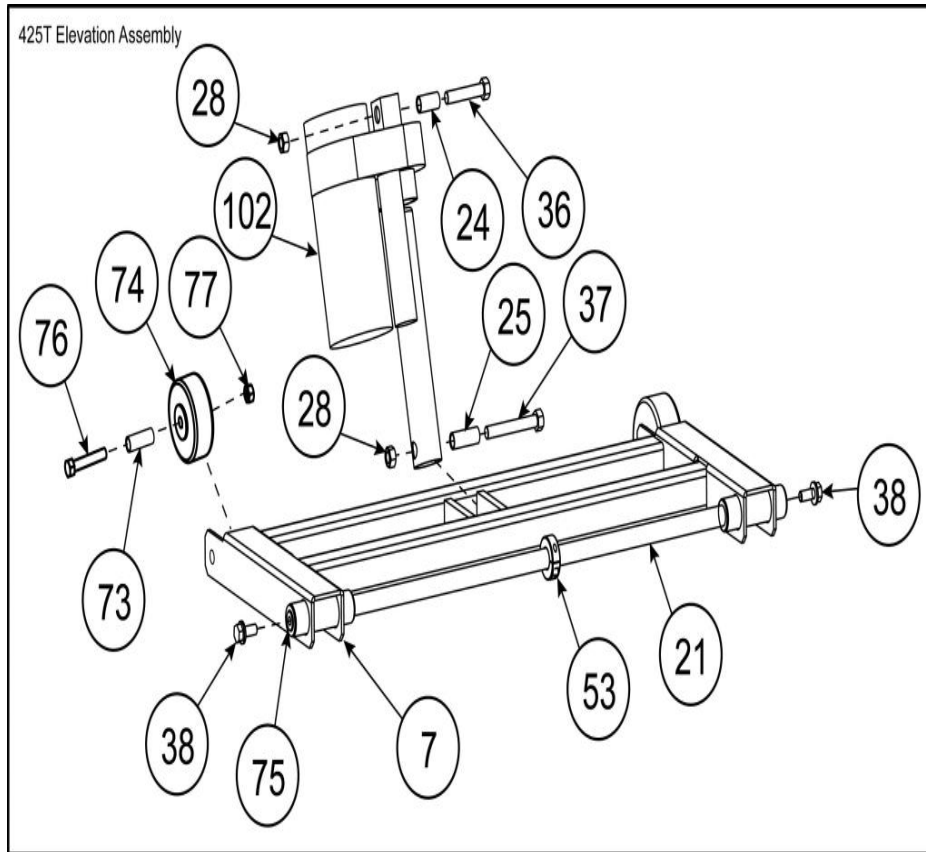
## Drive Motor Assembly (After E0504)



Ref #	Part Number	Qty	Description
38	HS-19108	1	SCREW 5-16-18X3-4LG,HXHD,WHIZ-
70	HS-11977	5	SCREW SEMS,8-32X.38,PNHD PHIL,EXT,STL,BLK ZN
78	AF-18481	1	WELDMNT,MOTOR BASE
79	AF-18769	1	BRKT,HEAT SINK
80	HB-18768	2	BEARING,IGUS LF-1011-12
81	AD-18217-Q	1	PCA,LOWER CONTROL,LER230V,425T
81	AD-18213	1	PCA,LOWER CONTROLLER,115V,425T
82	EC-18538	2	CIRCUIT BREAKER,15A,115V
82	EC-18539	2	CIRCUIT BREAKER,10A,250V
83	EC-18896	1	FILTER,16A
84	HN-11136	2	KEPS 5/16-18 HEX STL ZINC
86	EH-00986	1	TY WRAP,T B TYB-25M 9 in
87	HN-11925	2	KEPS,10-32 HEX STL ZN
88	HW-10856	2	WSHR,LOCK EXT NO10 ZC
89	HS-15732	1	SCREW SEMS,8-32UNCX.62,PNHD PHIL,ZN
90	EH-12260	1	TIE CABLE NYLON 18 INCH
91	FS-19355	1	PLATE,CIRCUIT BREAKER MOUNT
92	DE-20427	1	LABEL,DISCONNECT POWER W RUSSI
93	DE-19238	1	*DECAL,WARNING,MOTOR PLATE,MUL
103	AX-19650	1	SUB ASSY,MOTOR,3.OHP 230VDC,MC
103	AX-19649	1	SUB ASSY MOTOR 3.0HP 110VDC MC
120	EH-19416	1	SILPAD,HEAT SINK,GAPPAD VO, .0

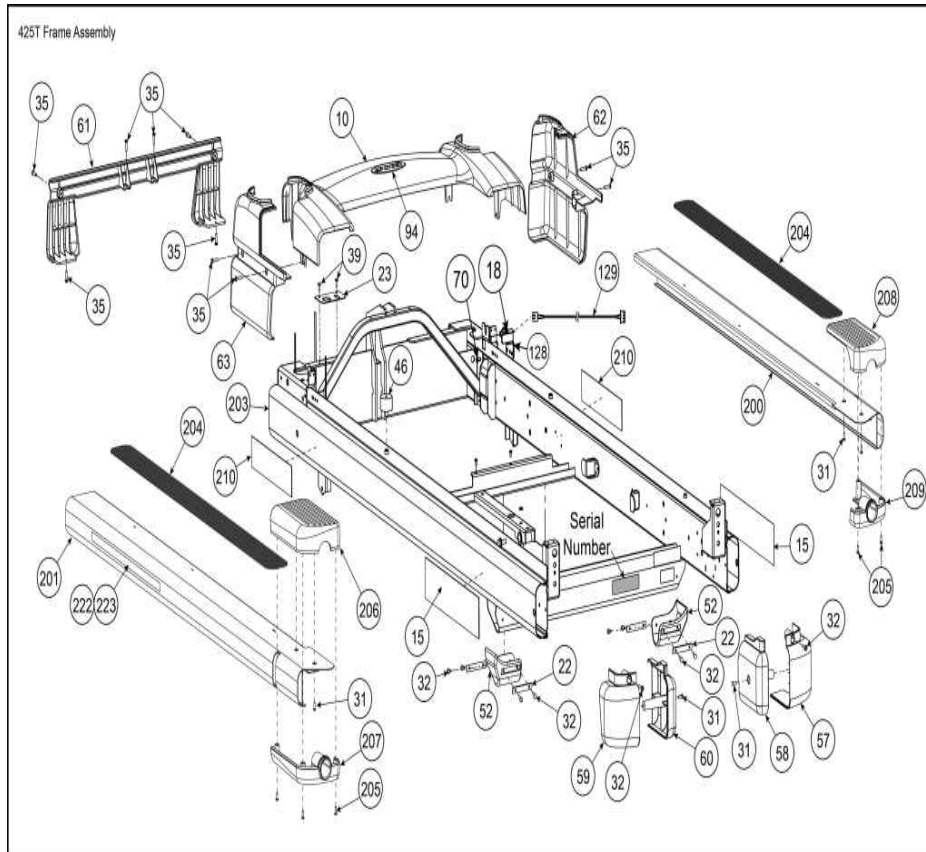
Ref #	Part Number	Qty	Description
121	750A-396	2	Ferrite Clamp-on .40 ID
131	SK-18554	1	BRUSH KIT,MCMILLAN 425T 3.0HP
132	EF-12367	1	FUSE 1-4X1-1-4 20AMP SLO-BLO
133	EF-19632	1	FUSE,15A SLO BLO 1-4X1.1-4 250
134	AX-18482	1	ASSY,MOTOR BASE,115V
134	AX-19535-Q	1	ASSY,MOTOR BASE,13A 230V 50HZ
134	AX-19535	1	ASSY,MOTOR BASE,13A 230V 50HZ
134	AX-19200	1	ASSY,MOTOR BASE,230V 50HZ
134	AX-19200-Q	1	ASSY,MOTOR BASE,230V 50HZ
134	AX-19097	1	ASSY,MOTOR BASE,230V 60HZ
134	AX-19097-Q	1	ASSY,MOTOR BASE,230V 60HZ

# Elevation Assembly



Ref #	Part Number	Qty	Description
7	AF-18394	1	WELDMENT,ELEVATION
21	FM-18405	1	SHAFT,ELEVATION
24	FT-16825	1	SLEEVE,ELEVATION MOUNTING, TOP
25	FT-16826	1	SLEEVE,ELEVATION MOUNTING,BTM
28	HN-17935	2	NUT LOCK,3-8-24,GRD C,STL,ZN
36	HS-17936	1	BOLT,3-8-24X2.0,HXHD CAP,G8,YE
37	HS-17937	2	BOLT,3-8-24X2.75,HXHD CAP,G8,Y
38	HS-19108	2	SCREW 5-16-18X3-4LG,HXHD,WHIZ-
53	HX-19384	1	COUPLING,SHAFT,DBL SPLIT 5-8IN
73	HX-22247	2	BUSHING,SPANNER,.500 OD X 1.5i
74	CW-22240	2	WHEEL,80MM DIA X 32MM W
75	HB-18768	2	BEARING,IGUS LF-1011-12
76	HS-60022	1	BOLT,3-8X2.25,HXHD CAP,BLK ZN,
77	HN-60064	1	NUT JAM 3-8IN.-16 BLK ZN
102	MR-18402	1	MOTOR,ELEVATION,115VAC
102	MR-18403	1	MOTOR,ELEVATION,230VAC

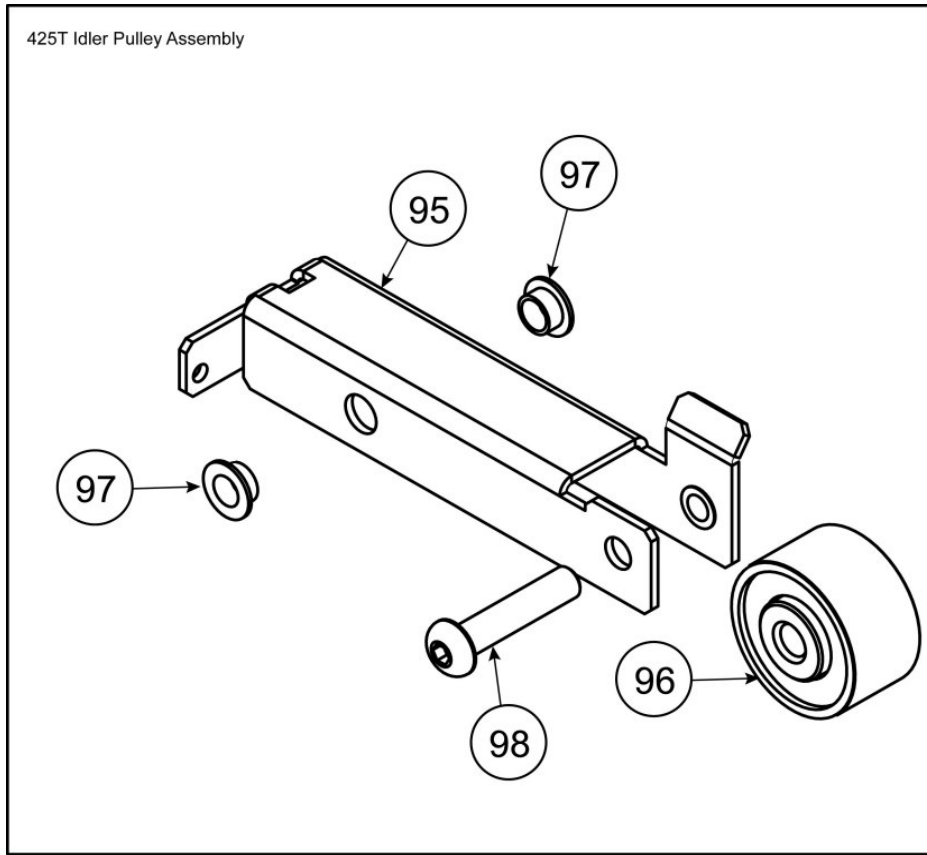
# Frame Assembly (After A0901)



Ref #	Part Number	Qty	Description
10	AX-19239	1	ASSY,MOTOR COVER
15	DE-19360	2	DECAL,CYBEX,BLACK
15	DE-19353	2	DECAL,CYBEX,SILVER
18	EC-18573	1	SPEED SENSOR,THREADED BODY
22	FS-16511	2	PLATE,REAR RUBBER FOOT MNT
23	FS-19213	1	PLATE,CABLE CONNECTOR
31	HS-15706	2	SCREW,8-16X.50,PNHD,STL,BLK ZN CLR,TYP WB
32	HS-16509	6	SCREW SLFTP,10X.5,PNHD,PLT,TYP
35	HS-16939	6	SCREW SEMS,10-32X.75,PNHD,BLK
			SCREW SLFTP,10-24X.5,PNHD
39	HS-41006	2	PHIL,410SS,HRDDBO,WAX,TT
46	HX-19981	2	BUSHING,DECK 5/16-18 50LBS MAX
52	HX-16510	2	FOOT,RUBBER,REAR
57	PL-18929	1	COVER,REAR,OUTER RIGHT
58	PL-18930	1	COVER,REAR,INNER RIGHT
59	PL-18932	1	COVER,REAR,OUTER LEFT
60	PL-18933	1	COVER,REAR,INNER LEFT
61	PL-18990	1	COVER,MOTOR,FRONT
62	PL-18991	1	COVER,MOTOR,RIGHT
63	PL-18992	1	COVER,MOTOR,LEFT
70	HS-11977	1	SCREW SEMS,8-32X.38,PNHD PHIL,EXT,STL,BLK ZN
94	DE-19198	1	DECAL,CYBEX LOGO Empire screen

Ref #	Part Number	Qty	Description
128	AF-18570	1	BRKT,SPEED SENSOR
129	AW-18574-Q	1	CABLE,SPEED SENSOR EXT
200	SCK-18765	1	KIT, TOP STEP ASSY,RIGHT
201	SCK-18764	1	KIT, TOP STEP ASSY,LEFT
203	AF-18461	1	WELDMENT,FRAME,425T
204	DE-18766	2	DECAL,SAFETY WALK
205	HS-18311	6	SCREW,8-16X.75,PNHD PHIL,STL,B
206	PL-18931	1	COVER,REAR,TOP LEFT
207	PL-19120	1	COVER,REAR,BOTTOM,LEFT
208	PL-18928	1	COVER,REAR,TOP RIGHT
209	PL-19118	1	COVER,REAR,BOTTOM,RIGHT
210	DE-19441	2	DECAL,LCX 425T,BLACK
210	DE-19442	2	DECAL,LCX 425T,SILVER
222	DE-22327	1	LABEL,BLACK,INTELLIGENT SUSPENSION 3
223	DE-22328	1	LABEL,SILVER,INTELLIGENT SUSPENSION 3

# Idler Pulley Assembly



Ref #	Part Number	Qty	Description
95	AF-18728	1	BRKT,IDLER
96	HB-19135	1	IDLER WHEEL,1.88X1.0
97	HB-18056	2	BUSHING,FLANGE, .375X.469X.25
98	HS-19338	1	SCREW,3-8-16X1.75,SCHD BTN, BL

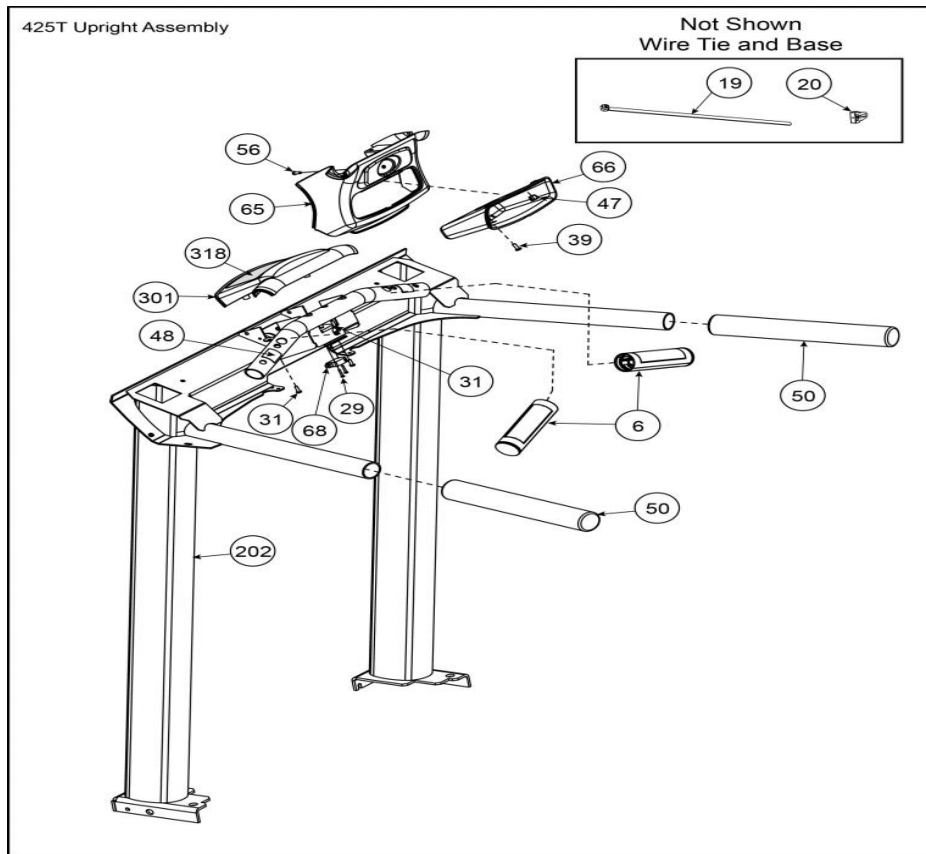
**Parts not shown**

Other Parts Not Shown

Ref #	Part Number	Qty	Description
-	AW-18532	1	POWER CORD,115V,15A,60HZ
-	LT-19453	1	WARRANTY,CONSUMER TREADS,PINK
-	AW-19117	1	CABLE,610ARC A-V I-O
-	TR-19201	1	CHOKER,3.5MH,15AMP,PFC
-	LT-19340	1	POSTER,ASSY 425T 445T
-	AW-18530	1	WIRE,FILTER TO BOARD,BLACK
-	AW-18574-Q	1	CABLE,SPEED SENSOR EXT
-	AW-19221-Q	1	HARNESS,CHR,HANDRAIL
-	AW-19235	1	WIRE,CONTROLLER GROUND
-	AW-18534	1	POWER CORD,230V,10A,50HZ
-	AW-18540	1	WIRE,CB TO FILTER,BLACK
-	HS-19108	1	SCREW 5-16-18X3-4LG,HXHD,WHIZ-
-	HX-19059	1	PLUG,TUBE END, 1.5 OD
-	AW-19525	1	POWER CORD,230V,13A,50HZ,274.3
-	LT-03051	1	SIGN FACILITY SAFETY
-	SK-18554	1	BRUSH KIT,MCMILLAN 425T 3.0HP
-	EH-10291	1	TY WRAP BASE
-	AF-19068	1	BRKT,POWER FACTOR,CHOKER
-	AW-18531	1	WIRE,FILTER TO BOARD,WHITE
-	AW-18541	1	WIRE,CB TO FILTER,WHITE
-	DE-18413	1	DECAL,ETL AND CSA
-	FS-19190	1	BRKT,CONTROLLER MOUNT

Ref #	Part Number	Qty	Description
-	LT-19339	1	WARRANTY,425T LGT COMM,PINK
-	SK-18553	1	BRUSH KIT,MCMILLAN 3.0HP 110VD
-	AF-19494	1	BRKT,LIMIT SWITCH MOUNTING
-	AW-18216-Q	1	HARNESS,425T CONSOLE
-	AW-18528-Q	1	HARNESS,425T FRAME
-	AW-18972	1	HARNESS,ELEVATION MOTOR,425T
-	AX-19354	1	KIT,INSTALL HARDWARE,425T 445T
-	FS-17698	1	CLAMP,HEADPHONE ADAPTER
-	FS-18771	1	COVER,LOWER CONTROLLER
-	AW-18533	1	POWER CORD,220V,10A,60HZ

### Upright Assembly



Ref #	Part Number	Qty	Description
6	SK-17827	2	SERVICE KIT,530T HR GRIPS
19	EH-00986	1	TY WRAP,T B TYB-25M 9 in
20	EH-10291	1	TY WRAP BASE
29	HS-00156	2	SCREW,4-40X.62,PNHD PHIL
31	HS-15706	1	SCREW,8-16X.50,PNHD,STL,BLK ZN CLR,TYP WB
39	HS-41006	2	SCREW SLFTP,10-24X.5,PNHD PHIL,410SS,HRDBO,WAX,TT
47	HX-20799	2	PLUG,HOLE,PLASTIC 9-16 BLACK
48	HX-17788	2	TAPE,DBL SIDED, .032THK
50	HX-18901	2	GRIPS,HANDRAIL,425T 445T 455T
56	PL-18773	2	ACTUATOR,E-STOP
65	PL-19093	1	COVER,CHR,BOTTOM
66	PL-19094	1	ACCESSORY TRAY,425T 445T 455T
68	SW-18535	1	SWITCH LIMIT,BUTTON MICROSWITC
202	SCK-18486	1	WELDMENT, UPRIGHT, 425T, CFG
301	AX-19356	1	
318	DE-19189	1	LABEL,WARNING,425T- Custom

