

Treadmill, 455T Sborn V01

455T-01

Parts Manual

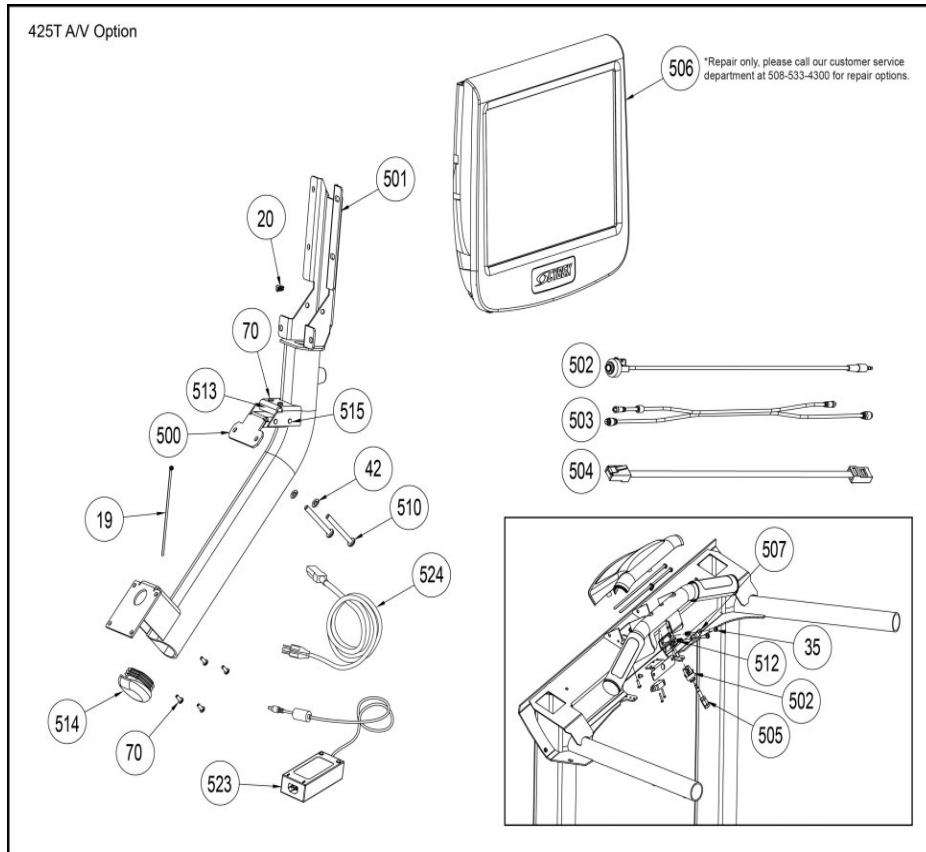
1/5/2019 4:33:32 AM



Table of Contents

[AV Option](#).....3
[Belt Deck Rollers \(Before B07\)](#).....5
[Console Assembly \(Before C1002\)](#).....7
[Drive Motor Assembly](#).....9
[Elevation Assembly](#).....11
[Idler Pulley Assembly](#).....12
[Parts not shown](#).....13
[Upright Assembly](#).....15
[445T/455T Frame Assembly](#).....16

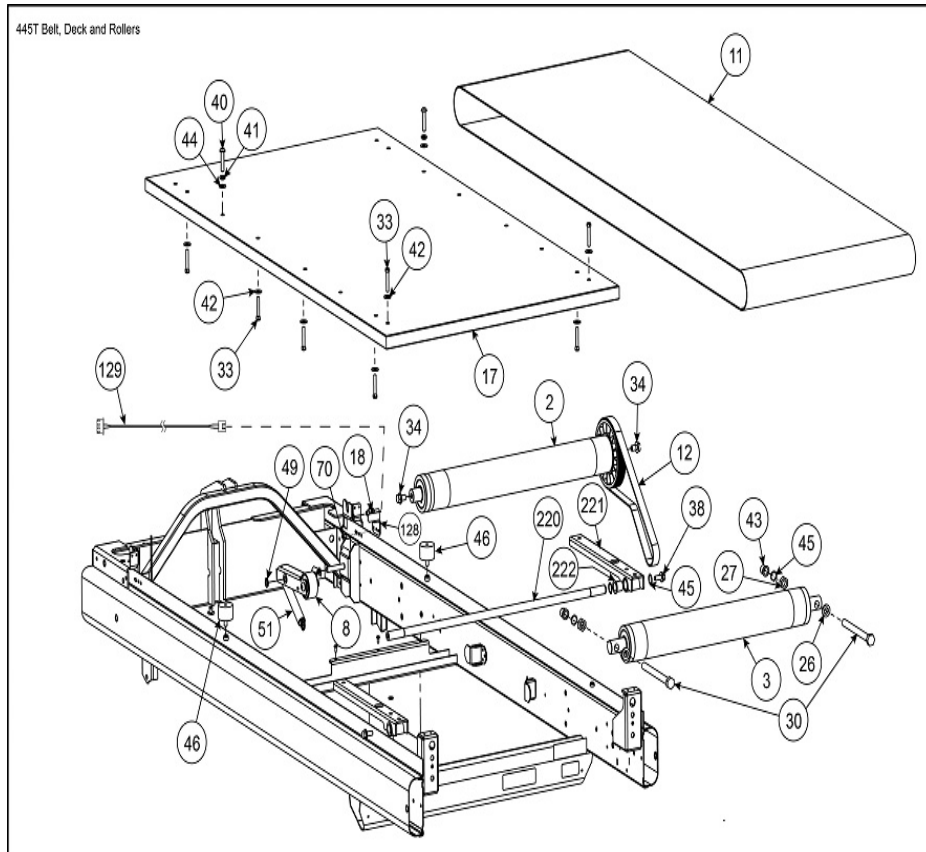
AV Option



| Ref # | Part Number | Qty | Description |
|-------|-------------|-----|---|
| K1 | KAF-21898 | 1 | SERVICE,425T 445T PEM RETROFIT |
| 19 | EH-00986 | 1 | TY WRAP,T B TYB-25M 9 in |
| 20 | EH-10291 | 1 | TY WRAP BASE |
| 35 | HS-16939 | 2 | SCREW SEMS,10-32X.75,PNHD,BLK |
| 42 | HW-00180 | 2 | WSHR LOCK SPLIT 1-4,SST,BLK PASSIVATE |
| 70 | HS-11977 | 1 | SCREW SEMS,8-32X.38,PNHD PHIL,EXT,STL,BLK ZN |
| 500 | AF-19876 | 1 | BRACKET,UPPER MOUNT,425T 445T |
| 501 | AF-21142 | 1 | WELD,PEM MNT,2ND GEN,425T 445T |
| 502 | AW-17694 | 1 | CABLE AUDIO 1/4 in To 3-1/2 MM |
| 503 | AW-21680 | 1 | CABLE,750A 4XXT,LOCKING RF&DC POWER |
| 504 | AW-20111 | 1 | CABLE,5E BONDED PAIR RJ45 ROUN |
| 505 | CN-17687 | 1 | ADAPTER,1-4 PLUG TO 1-8 JACK |
| 506 | CP-21072 | 1 | MONITOR,13.3 ATSC NTSC PEM |
| 507 | FS-17698 | 1 | CLAMP,HEADPHONE ADAPTER |
| 510 | HS-19369 | 2 | SCREW 1-4-20 X 2.25,PNHD PHIL, |
| 512 | HX-12244 | 1 | SPRING COMPRESSION BRUSH |
| 513 | HX-19976 | 1 | BUSHING,STUD PLATE,8-32,6LB MA |
| 514 | HX-20032 | 1 | INSERT,DOMED PLASTIC |
| 515 | HX-20220 | 1 | PLUG,HOLE .187 DIA,BLACK |
| 523 | TR-21265 | 1 | NLA: POWER SUPPLY,12VDC,120-240VAC,6.0A W-LOCKING PLUG |

| Ref # | Part Number | Qty | Description |
|-------|-------------|-----|--|
| 524 | AW-20192 | 1 | POWER CORD,100V,50HZ,2.5M IEC- |
| 524 | AW-22229 | 1 | POWER CORD,10A,250V IEC 60320 |
| 524 | AW-14007 | 1 | POWER CORD,115V,60HZ PWR SUPPLY IEC320 (SJT) |
| 524 | WR-14012 | 1 | POWER CORD,230V,10A,CEE 7-7,2M PN: 199-000 |
| 524 | AW-20193 | 1 | POWER CORD,250VAC 10A,2.5M IEC |
| 526 | AW-21882 | 1 | CABLE,ADAPTER,LOCKING DC 2.1MM |
| 527 | AW-21897 | 1 | CABLE,ADAPTER,LOCKING DC 2.5MM |

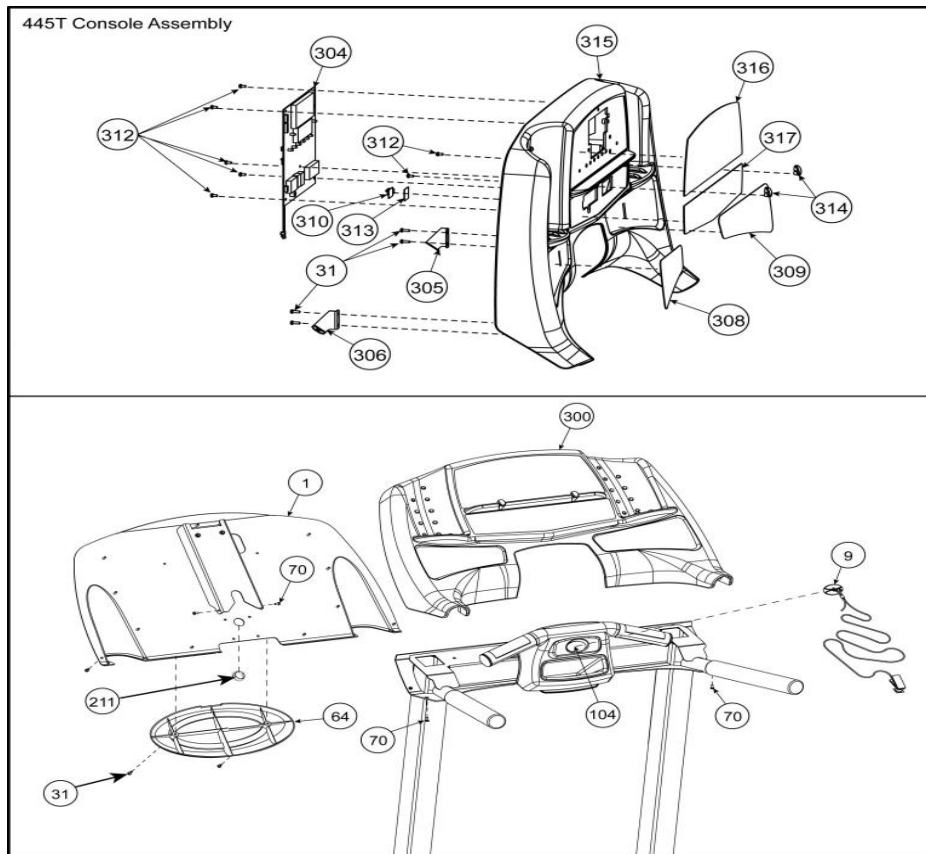
Belt Deck Rollers (Before B07)



| Ref # | Part Number | Qty | Description |
|-------|-------------|-----|---------------------------------------|
| 2 | AL-18945 | 1 | ROLLER,FRONT,TAPERED,445T 455T |
| 3 | AL-18946 | 1 | ROLLER,REAR,TAPERED,445T 455T |
| 8 | AX-18729 | 1 | ASSY,IDLER BRKT |
| 11 | BD-20508 | 1 | BELT,RUNNING,445T IFI,19.88X60 |
| 11 | BD-19642 | 1 | BELT,RUNNING,19.88 X 60.00 |
| 12 | BD-18917 | 1 | BELT, POLY-V,320J8 |
| 17 | DK-19641 | 1 | NLA: DECK,RUNNING,27.50 X 51.50 X 1 |
| 17 | DK-20498 | 1 | NLA: DECK,RUNNING,445T IFI,27.5X51. |
| 18 | EC-18573 | 1 | SPEED SENSOR,THREADED BODY |
| 26 | HB-16367 | 2 | BUSHING .50IDX.62ODX.31LG,FLAN |
| 27 | HN-10029 | 2 | NUT 1-2-13 HEX STL ZINC |
| 30 | HS-00261 | 2 | BOLT,1-2-13X5.5,HXHD |
| 33 | HS-16628 | 8 | BOLT,1-4-20X1.5,HXHD,G8 |
| 34 | HS-16929 | 2 | BOLT WHIZ LCK,3-8-16X.625,HXHD |
| 38 | HS-19108 | 2 | SCREW 5-16-18X3-4LG,HXHD,WHIZ- |
| 40 | HS-41107 | 2 | BOLT,5-16-18X1.5,BTHD,SST,BLK |
| 41 | HW-00165 | 2 | WSHR SPLIT LOCK 5-16 ZINC |
| 42 | HW-00180 | 8 | WSHR LOCK SPLIT 1-4,SST,BLK PASSIVATE |
| 43 | HW-00590 | 2 | BUSHING,NYLON,1-2 in |
| 44 | HW-18123 | 2 | WSHR,.344IDX.75 ODX.125THK,HAR |
| 45 | HX-13771 | 2 | RING,RETAIN,5-8" .579 FR.ID |
| 46 | HX-19981 | 2 | BUSHING,DECK 5/16-18 50LBS MAX |

| Ref # | Part Number | Qty | Description |
|-------|-------------|-----|--|
| 49 | HX-19529 | 1 | GRIP RING RETAINING 3/8 in 555 |
| 51 | HX-19052 | 1 | SPRING, EXTENSION .125 X .75 X |
| 70 | HS-11977 | 1 | SCREW SEMS,8-32X.38,PNHD PHIL,EXT,STL,BLK ZN |
| 128 | AF-18570 | 1 | BRKT,SPEED SENSOR |
| 129 | AW-19677 | 1 | CABLE,445T SPEED SENSOR EXT |
| 220 | FM-19513 | 1 | SHAFT,DECK PIVOT,425T 445T 455 |
| 221 | AX-20035 | 2 | ASSY,DECK PIVOT BRACKET |
| 222 | HB-18768 | 1 | BEARING,IGUS LF-1011-12 |

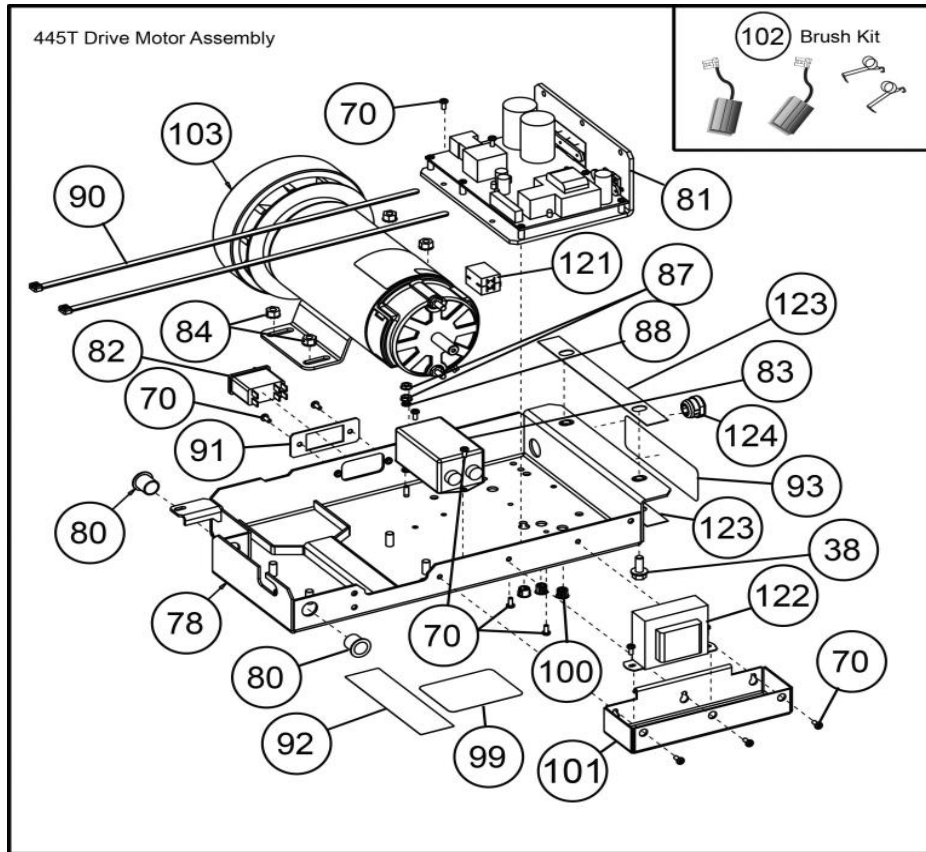
Console Assembly (Before C1002)



| Ref # | Part Number | Qty | Description |
|-------|-------------|-----|---|
| 1 | AF-18899 | 1 | WELDMENT, CONSOLE BACK |
| 9 | AX-20944 | 1 | ASSY, E-STOP KEY, MAGNET |
| 31 | HS-15706 | 10 | SCREW, 8-16X.50, PNHD, STL, BLK ZN CLR, TYP WB |
| 64 | PL-19061 | 1 | COVER, CONSOLE, BACK TRIM |
| 70 | HS-11977 | 2 | SCREW SEMS, 8-32X.38, PNHD PHIL, EXT, STL, BLK ZN |
| 104 | DE-20685 | 1 | DECAL, E-STOP, YELLOW |
| 211 | HX-18287 | 1 | PLUG, HOLE, PLASTIC 1in, BLACK |
| 300 | KAC-20641-4 | 1 | CONSOLE ASSY, 445T, ENG |
| 304 | AD-19675-Q | 1 | NC R&R PCA, 445T, ROHS |
| 305 | AF-19187 | 1 | BRKT, CONSOLE SUPPORT, RIGHT |
| 306 | AF-19188 | 1 | BRKT, CONSOLE SUPPORT, LEFT |
| 308 | DE-18556 | 1 | Decal, HR Zone |
| 309 | DE-18557 | 1 | Decal Program Profiles CUS |
| 310 | 630A-318 | 1 | SENSOR WIRELESS HR RECEIVER |
| 312 | HS-41187 | 7 | SCREW SLFTP, 8-16X.3125, PLASTITE |
| 313 | HX-17788 | 1 | TAPE, DBL SIDED, .032THK |
| 314 | PL-17686 | 2 | TAB, BOOK HOLDER |
| 315 | PL-18548 | 1 | PLASTIC, FRONT CONSOLE, 425T 445 |
| 316 | SW-20701-4 | 1 | MEMBRANE, 4X5T IFI, TOP |
| 316 | SW-21456 | 1 | Keypad TOP 425/445T |
| 317 | SW-21457-4 | 1 | MEMBRANE, 425T 445T, BTM, WO AV, E |
| 317 | SW-21458-4 | 1 | MEMBRANE, 425T 445T, BTM, W AV, EN |

| Ref # | Part Number | Qty | Description |
|--------------|--------------------|------------|-----------------------------|
| 317 | SW-20700-4 | 1 | MEMBRANE,4X5T IFI,AV,BOTTOM |

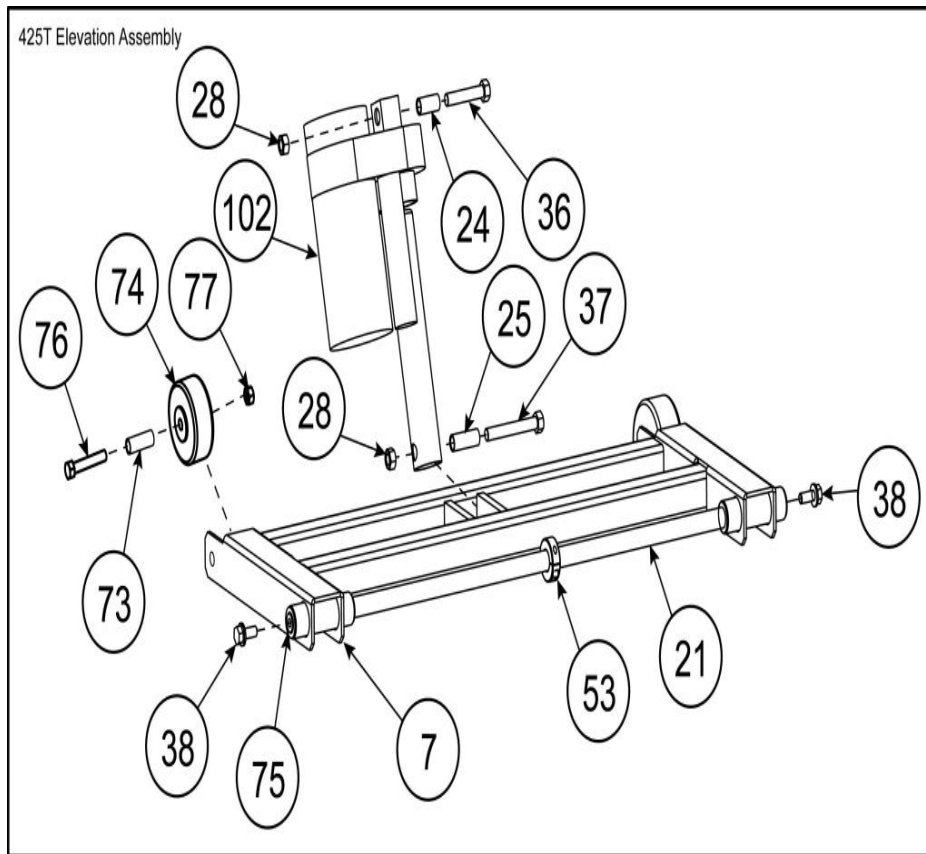
Drive Motor Assembly



| Ref # | Part Number | Qty | Description |
|-------|-------------|-----|--|
| 38 | HS-19108 | 2 | SCREW 5-16-18X3-4LG,HXHD,WHIZ- |
| 70 | HS-11977 | 5 | SCREW SEMS,8-32X.38,PNHD PHIL,EXT,STL,BLK ZN |
| 78 | AF-18481 | 1 | WELDMNT,MOTOR BASE |
| 80 | HB-18768 | 2 | BEARING,IGUS LF-1011-12 |
| 81 | AD-19086-Q | 1 | PCA,LOWER CONTROLLER,230V,445T |
| 81 | AD-19085-Q | 1 | PCA LOWER CONTROLLER 115V 445T |
| 82 | SW-19667 | 1 | SWITCH,THERMAL CB,20AMP 240V,R |
| 83 | EC-19869 | 1 | LINE FILTER,20A,DUAL STAGE |
| 83 | EC-18896 | 1 | FILTER,16A |
| 84 | HN-11136 | 4 | KEPS 5/16-18 HEX STL ZINC |
| 87 | HN-11925 | 1 | KEPS,10-32 HEX STL ZN |
| 88 | HW-10856 | 1 | WSHR,LOCK EXT NO10 ZC |
| 90 | EH-12260 | 2 | TIE CABLE NYLON 18 INCH |
| 91 | FS-19668 | 1 | PLATE,CIRCUIT BREAKER MOUNT |
| 92 | DE-20427 | 1 | LABEL,DISCONNECT POWER W RUSSI |
| 93 | DE-19238 | 1 | *DECAL,WARNING,MOTOR PLATE,MUL |
| 99 | DE-19730 | 1 | Decal, IR Comp Adjust, G |
| 100 | HX-17711 | 2 | PLUG,HOLE,PLASTIC 7-16 BLACK bisco #2488 |
| 101 | AF-19068 | 1 | BRKT,POWER FACTOR,CHOKE |
| 102 | SK-18554 | 1 | BRUSH KIT,MCMILLAN 425T 3.0HP |
| 103 | AX-19650 | 1 | SUB ASSY,MOTOR,3.0HP 230VDC,MC |
| 103 | AX-19649 | 1 | SUB ASSY MOTOR 3.0HP 110VDC MC |

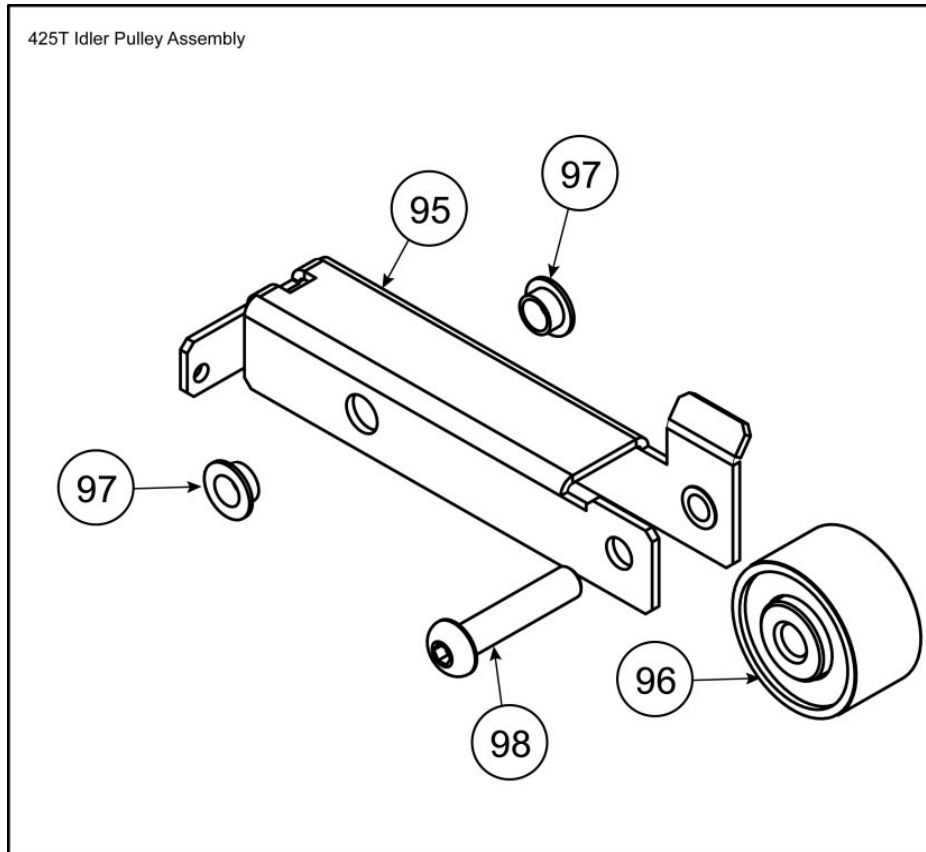
| Ref # | Part Number | Qty | Description |
|--------------|--------------------|------------|--------------------------------|
| 121 | 750A-396 | 1 | Ferrite Clamp-on .40 ID |
| 122 | TR-19201 | 1 | CHOKE,3.5MH,15AMP,PFC |
| 123 | HX-19857 | 1 | STRIP,MOTOR BASE ISOLATION |
| 124 | EH-19717 | 1 | BUSHING,STRAIN RELIEF,.425" TH |

Elevation Assembly



| Ref # | Part Number | Qty | Description |
|-------|-------------|-----|--------------------------------|
| 7 | AF-18394 | 1 | WELDMENT,ELEVATION |
| 21 | FM-18405 | 1 | SHAFT,ELEVATION |
| 24 | FT-16825 | 1 | SLEEVE,ELEVATION MOUNTING, TOP |
| 25 | FT-16826 | 1 | SLEEVE,ELEVATION MOUNTING,BTM |
| 28 | HN-17935 | 1 | NUT LOCK,3-8-24,GRD C,STL,ZN |
| 36 | HS-17936 | 1 | BOLT,3-8-24X2.0,HXHD CAP,G8,YE |
| 37 | HS-17937 | 1 | BOLT,3-8-24X2.75,HXHD CAP,G8,Y |
| 38 | HS-19108 | 2 | SCREW 5-16-18X3-4LG,HXHD,WHIZ- |
| 53 | HX-19384 | 1 | COUPLING,SHAFT,DBL SPLIT 5-8IN |
| 74 | CW-22240 | 2 | WHEEL,80MM DIA X 32MM W |
| 75 | HB-18768 | 2 | BEARING,IGUS LF-1011-12 |
| 76 | HS-60022 | 2 | BOLT,3-8X2.25,HXHD CAP,BLK ZN, |
| 77 | HN-60064 | 2 | NUT JAM 3-8IN.-16 BLK ZN |
| 79 | HX-22247 | 2 | BUSHING,SPANNER,.500 OD X 1.5i |
| 102 | MR-18402 | 1 | MOTOR,ELEVATION,115VAC |
| 102 | MR-18403 | 1 | MOTOR,ELEVATION,230VAC |

Idler Pulley Assembly



| Ref # | Part Number | Qty | Description |
|-------|-------------|-----|----------------------------------|
| 95 | AF-18728 | 1 | BRKT, IDLER |
| 96 | HB-19135 | 1 | IDLER WHEEL, 1.88X1.0 |
| 97 | HB-18056 | 2 | BUSHING, FLANGE, .375X.469X.25 |
| 98 | HS-19338 | 1 | SCREW, 3-8-16X1.75, SCHD BTN, BL |

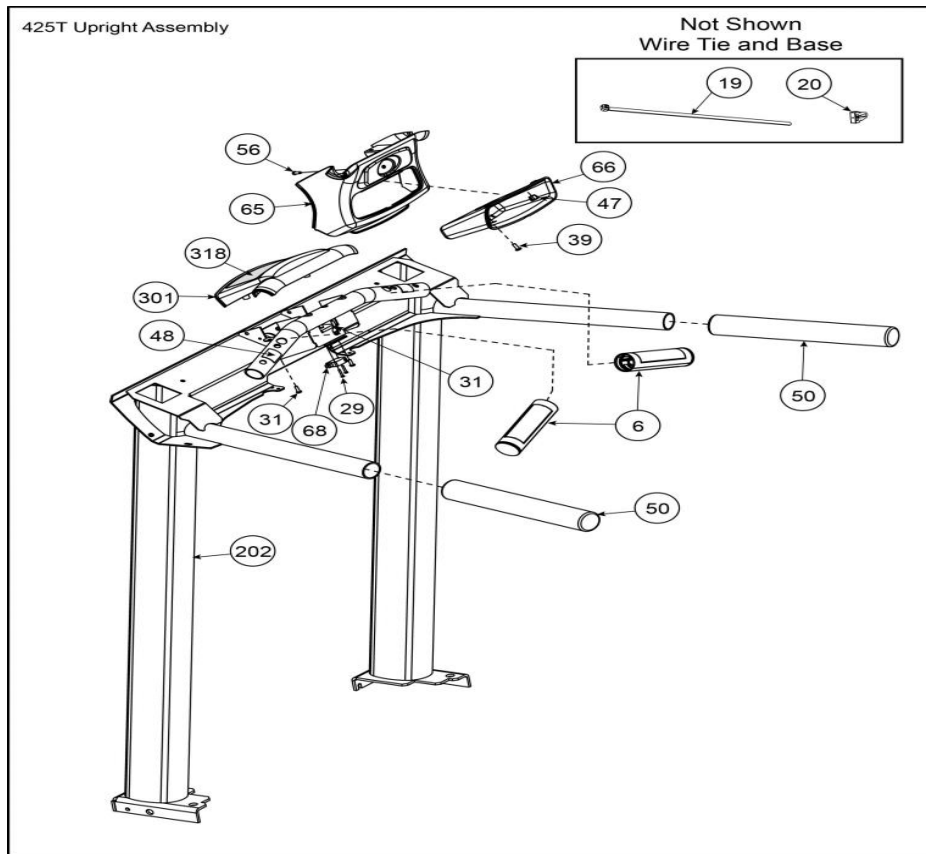
Parts not shown

Other Parts Not Shown

| Ref # | Part Number | Qty | Description |
|-------|-------------|-----|---------------------------------|
| - | AW-18973 | 1 | CABLE,ELEVATION MOTOR,445T |
| - | FS-18771 | 1 | COVER,LOWER CONTROLLER |
| - | LT-20653 | 1 | WARRANTY,455T,PINK |
| - | AX-19193-4 | 1 | *ASSY,TV SUPPORT,425T 445T,ENG |
| - | AX-19193-6 | 1 | *ASSY,TV SUPPORT,425T 445T,JAP |
| - | KEF-21820 | 1 | KIT,FUSE REPLACEMENT 550T,115V, |
| - | LT-19340 | 1 | POSTER,ASSY 425T 445T |
| - | LT-19801 | 1 | WARRANTY,445T,PINK |
| - | AW-18530 | 1 | WIRE,FILTER TO BOARD,BLACK |
| - | AX-19193-3 | 1 | *ASSY,TV SUPPORT,425T 445T,SPA |
| - | AX-19193-7 | 1 | *ASSY,TV SUPPORT,425T 445T,SWE |
| - | AW-18574-Q | 1 | CABLE,SPEED SENSOR EXT |
| - | AW-19221-Q | 1 | HARNESS,CHR,HANDRAIL |
| - | AW-19235 | 1 | WIRE,CONTROLLER GROUND |
| - | LT-19800 | 1 | Owner Manual 445T |
| - | AW-18540 | 1 | WIRE,CB TO FILTER,BLACK |
| - | AW-19878 | 1 | POWER CORD,230V,13A,50HZ,396CM |
| - | HS-19108 | 1 | SCREW 5-16-18X3-4LG,HXHD,WHIZ- |
| - | HX-19059 | 1 | PLUG,TUBE END, 1.5 OD |
| - | AX-19193-1 | 1 | *ASSY,TV SUPPORT,425T 445T,GER |
| - | LT-03051 | 1 | SIGN FACILITY SAFETY |
| - | AW-19679 | 1 | HARNESS,445T 455T CONSOLE |

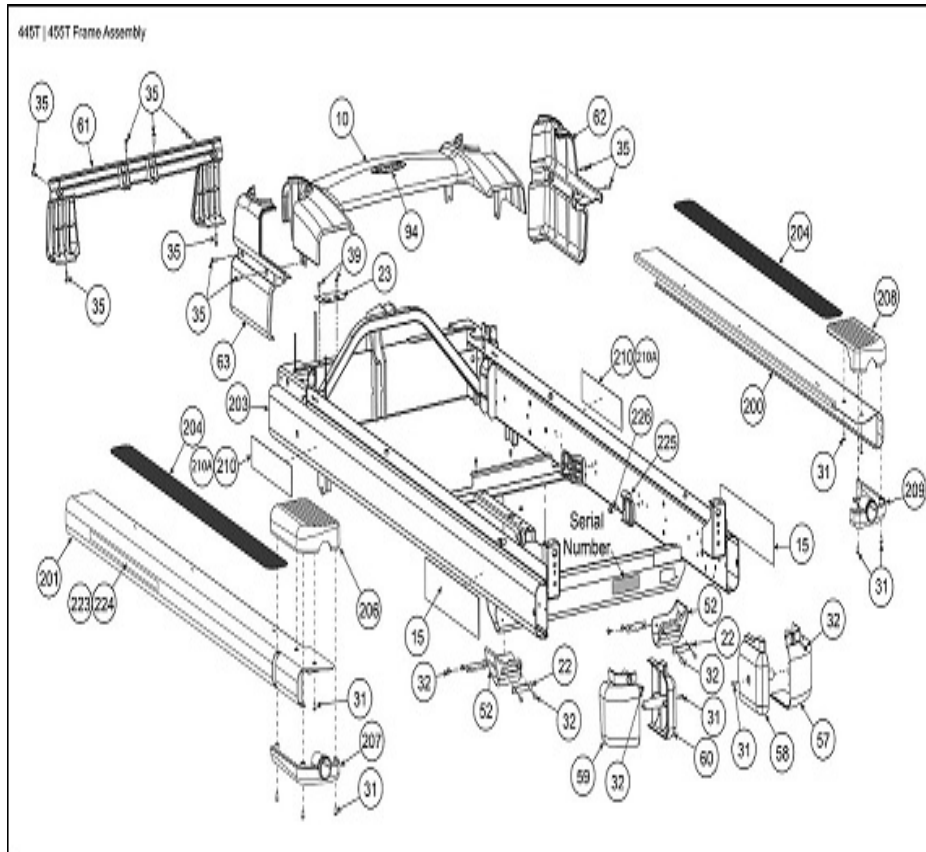
| Ref # | Part Number | Qty | Description |
|-------|-------------|-----|--------------------------------|
| - | AW-19714 | 1 | POWER CORD,115V,20A,60HZ |
| - | EH-10291 | 1 | TY WRAP BASE |
| - | AW-22234 | 1 | POWER CORD,13A,250V 445T DANIS |
| - | AF-19068 | 1 | BRKT,POWER FACTOR,CHOKE |
| - | AW-18531 | 1 | WIRE,FILTER TO BOARD,WHITE |
| - | AW-18541 | 1 | WIRE,CB TO FILTER,WHITE |
| - | AW-19678 | 1 | HARNESS,445T FRAME |
| - | DE-18413 | 1 | DECAL,ETL AND CSA |
| - | FS-19190 | 1 | BRKT,CONTROLLER MOUNT |
| - | AW-19715 | 1 | POWER CORD,220V,15A,60HZ |
| - | AX-19193-2 | 1 | *ASSY,TV SUPPORT,425T 445T,FRE |
| - | AX-19354 | 1 | KIT,INSTALL HARDWARE,425T 445T |
| - | EF-19632 | 1 | FUSE,15A SLO BLO 1-4X1.1-4 250 |
| - | AW-19716 | 1 | POWER CORD,230V,16A,50HZ |
| - | AW-19117 | 1 | CABLE,610ARC A-V I-O |

Upright Assembly



| Ref # | Part Number | Qty | Description |
|-------|-------------|-----|---|
| 6 | SK-17827 | 2 | SERVICE KIT,530T HR GRIPS |
| 19 | EH-00986 | 1 | TY WRAP,T B TYB-25M 9 in |
| 20 | EH-10291 | 1 | TY WRAP BASE |
| 29 | HS-00156 | 2 | SCREW,4-40X.62,PNHD PHIL |
| 31 | HS-15706 | 1 | SCREW,8-16X.50,PNHD,STL,BLK ZN CLR,TYP WB |
| 39 | HS-41006 | 2 | SCREW SLFTP,10-24X.5,PNHD PHIL,410SS,HRDBO,WAX,TT |
| 47 | HX-20799 | 2 | PLUG,HOLE,PLASTIC 9-16 BLACK |
| 48 | HX-17788 | 2 | TAPE,DBL SIDED, .032THK |
| 50 | HX-18901 | 2 | GRIPS,HANDRAIL,425T 445T 455T |
| 56 | PL-18773 | 2 | ACTUATOR,E-STOP |
| 65 | PL-19093 | 1 | COVER,CHR,BOTTOM |
| 66 | PL-19094 | 1 | ACCESSORY TRAY,425T 445T 455T |
| 68 | SW-18535 | 1 | SWITCH LIMIT,BUTTON MICROSWITC |
| 202 | SCK-18486 | 1 | WELDMENT, UPRIGHT, 425T, CFG |
| 301 | AX-19356 | 1 | |
| 318 | DE-19189 | 1 | LABEL,WARNING,425T- Custom |

445T/455T Frame Assembly



| Ref # | Part Number | Qty | Description |
|-------|-------------|-----|---|
| 10 | AX-19239 | 1 | ASSY,MOTOR COVER |
| 15 | DE-19360 | 2 | DECAL,CYBEX,BLACK |
| 15 | DE-19353 | 2 | DECAL,CYBEX,SILVER |
| 22 | FS-16511 | 2 | PLATE,REAR RUBBER FOOT MNT |
| 23 | FS-19731 | 1 | PLATE,CABLE CONNECTOR,445T 455 |
| 31 | HS-15706 | 12 | SCREW,8-16X.50,PNHD,STL,BLK ZN CLR,TYP WB |
| 32 | HS-16509 | 8 | SCREW SLFTP,10X.5,PNHD,PLT,TYP |
| 35 | HS-16939 | 6 | SCREW SEMS,10-32X.75,PNHD,BLK |
| | | | SCREW SLFTP,10-24X.5,PNHD |
| 39 | HS-41006 | 4 | PHIL,410SS,HRDBO,WAX,TT |
| 52 | HX-16510 | 2 | FOOT,RUBBER,REAR |
| 57 | PL-18929 | 1 | COVER,REAR,OUTER RIGHT |
| 58 | PL-18930 | 1 | COVER,REAR,INNER RIGHT |
| 59 | PL-18932 | 1 | COVER,REAR,OUTER LEFT |
| 60 | PL-18933 | 1 | COVER,REAR,INNER LEFT |
| 61 | PL-18990 | 1 | COVER,MOTOR,FRONT |
| 62 | PL-18991 | 1 | COVER,MOTOR,RIGHT |
| 63 | PL-18992 | 1 | COVER,MOTOR,LEFT |
| 94 | DE-19198 | 1 | DECAL,CYBEX LOGO Empire screen |
| 200 | SCK-18765 | 1 | KIT, TOP STEP ASSY,RIGHT |
| 201 | SCK-18764 | 1 | KIT, TOP STEP ASSY,LEFT |
| 203 | AF-20559 | 1 | NLA: WELDMNT,FRAME,445T |

| Ref # | Part Number | Qty | Description |
|-------|-------------|-----|---------------------------------------|
| 204 | DE-18766 | 2 | DECAL,SAFETY WALK |
| 204 | DE-20718 | 2 | DECAL,SAFETY WALK,445T,IFI |
| 206 | PL-18931 | 1 | COVER,REAR,TOP LEFT |
| 207 | PL-19120 | 1 | COVER,REAR BOTTOM,LEFT |
| 208 | PL-18928 | 1 | COVER,REAR,TOP RIGHT |
| 209 | PL-19118 | 1 | COVER,REAR BOTTOM,RIGHT |
| 210A | DE-20649 | 2 | DECAL,CX 455T,BLACK |
| 210A | DE-20650 | 2 | DECAL,CX 455T,SILVER |
| 210 | DE-19726 | 2 | DECAL,CX 445T,BLACK |
| 210 | DE-19727 | 2 | DECAL,CX 445T,SILVER |
| 223 | DE-22327 | 2 | LABEL,BLACK,INTELLIGENT SUSPENSION 3 |
| 224 | DE-22328 | 2 | LABEL,SILVER,INTELLIGENT SUSPENSION 3 |
| 225 | PL-22129 | 1 | BRKT,POWER CORD STORAGE,PLASTI |
| 226 | HS-22137 | 1 | BOLT, 1-4-14x1.25,HXHD WSHR,TY |

