

# Treadmill, 455Tsbom V03

455T-03

## Parts Manual

1/5/2019 4:33:32 AM

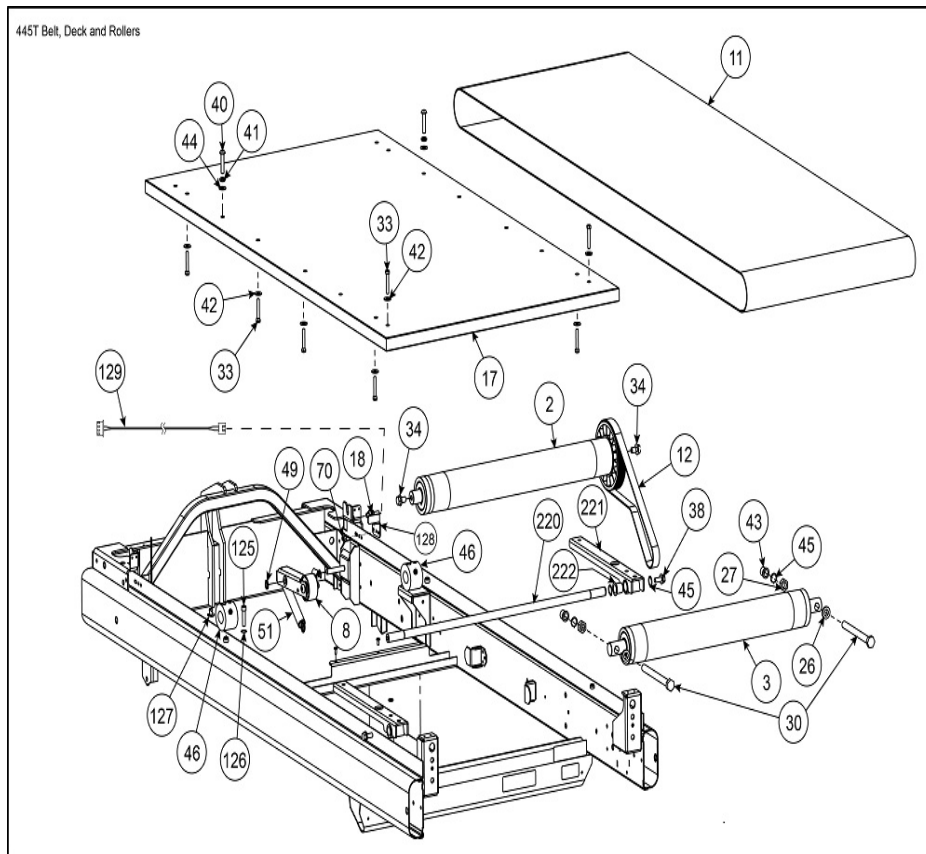


**Table of Contents**

---

[Belt Deck Rollers \(After B08\)](#).....3  
[Console Assembly \(After C1003\)](#).....5  
[Drive Motor Assembly](#).....7  
[Elevation Assembly](#).....9  
[Idler Pulley Assembly](#).....10  
[Parts not shown](#).....11  
[Upright Assembly](#).....13  
[445T/455T Frame Assembly](#).....14

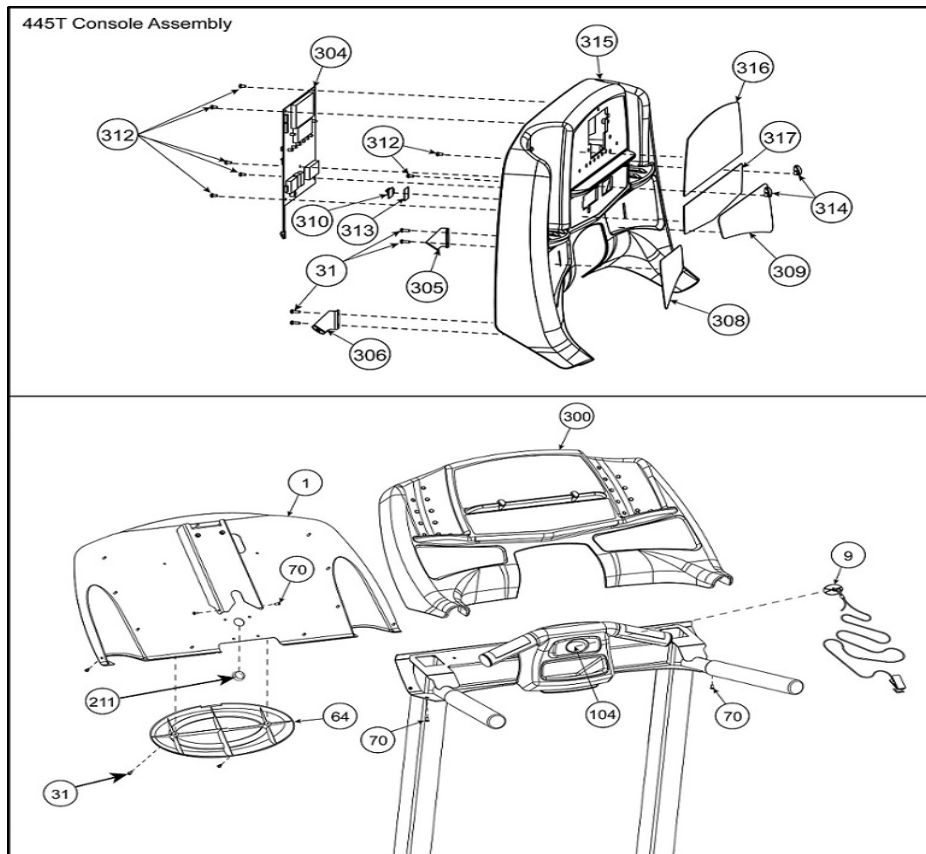
## Belt Deck Rollers (After B08)



Ref #	Part Number	Qty	Description
2	AL-18945	1	ROLLER,FRONT,TAPERED,445T 455T
3	AL-18946	1	ROLLER,REAR,TAPERED,445T 455T
8	AX-18729	1	ASSY,IDLER BRKT
11	BD-19642	1	BELT,RUNNING,19.88 X 60.00
11	BD-20508	1	BELT,RUNNING,445T IFI,19.88X60
12	BD-18917	1	BELT, POLY-V,320J8
17	DK-20498	1	NLA: DECK,RUNNING,445T IFI,27.5X51.
17	DK-19641	1	NLA: DECK,RUNNING,27.50 X 51.50 X 1
18	EC-18573	1	SPEED SENSOR,THREADED BODY
26	HB-16367	2	BUSHING .50IDX.62ODX.31LG,FLAN
27	HN-10029	2	NUT 1-2-13 HEX STL ZINC
30	HS-00261	2	BOLT,1-2-13X5.5,HXHD
33	HS-16628	2	BOLT,1-4-20X1.5,HXHD,G8
34	HS-16929	2	BOLT WHIZ LCK,3-8-16X.625,HXHD
38	HS-19108	2	SCREW 5-16-18X3-4LG,HXHD,WHIZ-
40	HS-41107	2	BOLT,5-16-18X1.5,BTHD,SST,BLK
41	HW-00165	2	WSHR SPLIT LOCK 5-16 ZINC
42	HW-00180	10	WSHR LOCK SPLIT 1-4,SST,BLK PASSIVATE
43	HW-00590	2	BUSHING,NYLON,1-2 in
44	HW-18123	2	WSHR,.344IDX.75 ODX.125THK,HAR
45	HX-13771	2	RING,RETAIN,5-8" .579 FR.ID
46	HX-19991	2	BUMPER,SPRING DECK,2.10X2.34X1

Ref #	Part Number	Qty	Description
49	HX-19529	1	GRIP RING RETAINING 3/8 in 555
51	HX-19052	1	SPRING, EXTENSION .125 X .75 X
70	HS-11977	1	SCREW SEMS,8-32X.38,PNHD PHIL,EXT,STL,BLK ZN
125	HS-18358	2	BOLT,5-16-18X.1.25,SCHD CAP,BL
126	HW-20044	2	WSHR,BELLEVILLE,15X8.2X1.0MM,.
127	HN-20041	2	NUT,1-4-20 PROPELLER .305 OD
128	AF-18570	1	BRKT,SPEED SENSOR
129	AW-19677	1	CABLE,445T SPEED SENSOR EXT
220	FM-19513	1	SHAFT,DECK PIVOT,425T 445T 455
221	AX-20035	2	ASSY,DECK PIVOT BRACKET
222	HB-18768	1	BEARING,IGUS LF-1011-12

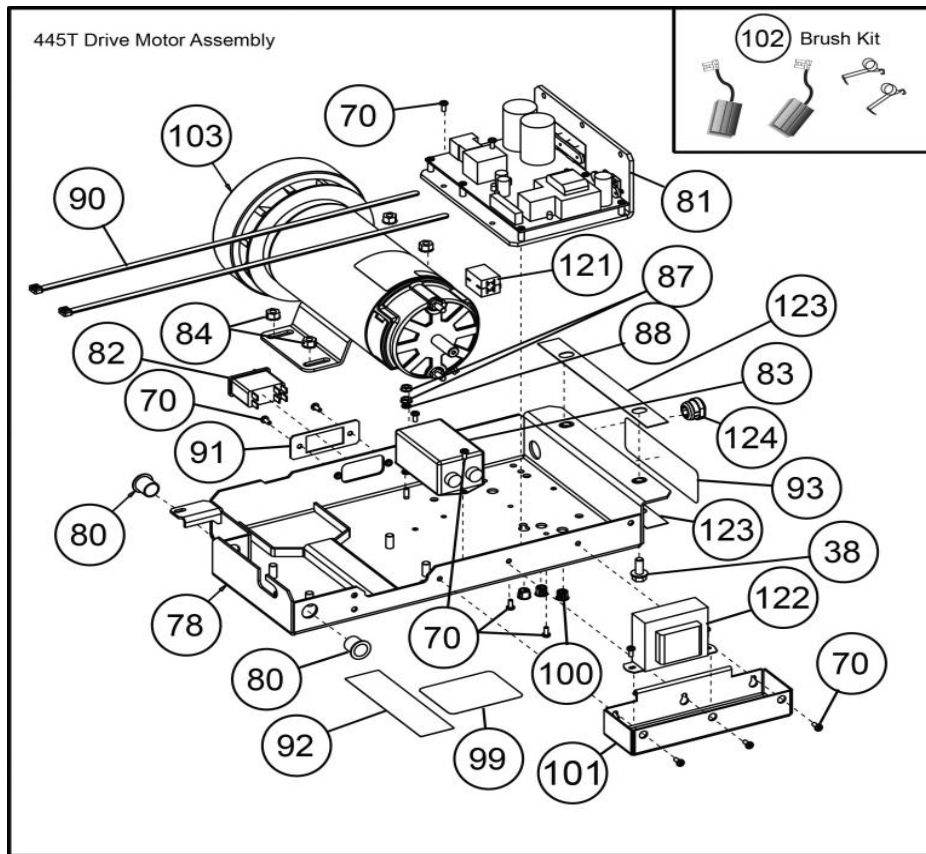
## Console Assembly (After C1003)



Ref #	Part Number	Qty	Description
1	AF-18899	1	WELDMENT, CONSOLE BACK
9	AX-20944	1	ASSY, E-STOP KEY, MAGNET
31	HS-15706	5	SCREW, 8-16X.50, PNHD, STL, BLK ZN CLR, TYP WB
64	PL-19061	1	COVER, CONSOLE, BACK TRIM
70	HS-11977	2	SCREW SEMS, 8-32X.38, PNHD PHIL, EXT, STL, BLK ZN
104	DE-20685	1	DECAL, E-STOP, YELLOW
211	HX-18287	2	PLUG, HOLE, PLASTIC 1in, BLACK
300	KAC-20641-4	1	CONSOLE ASSY, 445T, ENG
304	AD-21468	1	EOL PCA, Display, 445T
305	AF-19187	1	BRKT, CONSOLE SUPPORT, RIGHT
306	AF-19188	1	BRKT, CONSOLE SUPPORT, LEFT
308	DE-18556	1	Decal, HR Zone
309	DE-18557	1	Decal Program Profiles CUS
310	630A-318	1	SENSOR WIRELESS HR RECEIVER
312	HS-41187	7	SCREW SLFTP, 8-16X.3125, PLASTITE
313	HX-17788	1	TAPE, DBL SIDED, .032THK
314	PL-17686	2	TAB, BOOK HOLDER
315	PL-18548	1	PLASTIC, FRONT CONSOLE, 425T 445
316	SW-21456	1	Keypad TOP 425/445T
316	SW-20701-4	1	MEMBRANE, 4X5T IFI, TOP
317	SW-20700-4	1	MEMBRANE, 4X5T IFI, AV, BOTTOM
317	SW-21457-4	1	MEMBRANE, 425T 445T, BTM, WO AV, E

<b>Ref #</b>	<b>Part Number</b>	<b>Qty</b>	<b>Description</b>
317	SW-21458-4	1	MEMBRANE,425T 445T,BTM,W AV,EN

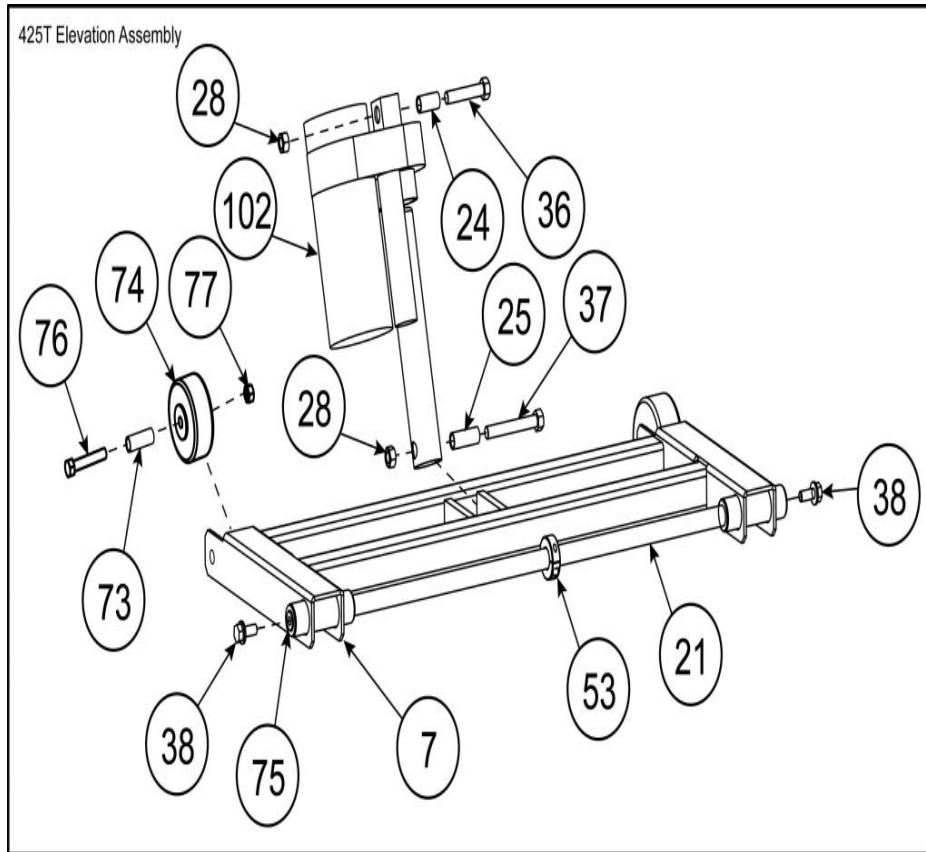
# Drive Motor Assembly



Ref #	Part Number	Qty	Description
38	HS-19108	2	SCREW 5-16-18X3-4LG,HXHD,WHIZ-
70	HS-11977	5	SCREW SEMS,8-32X.38,PNHD PHIL,EXT,STL,BLK ZN
78	AF-18481	1	WELDMNT,MOTOR BASE
80	HB-18768	2	BEARING,IGUS LF-1011-12
81	AD-19085-Q	1	PCA LOWER CONTROLLER 115V 445T
81	AD-19086-Q	1	PCA,LOWER CONTROLLER,230V,445T
82	SW-19667	1	SWITCH,THERMAL CB,20AMP 240V,R
83	EC-19869	1	LINE FILTER,20A,DUAL STAGE
83	EC-18896	1	FILTER,16A
84	HN-11136	4	KEPS 5/16-18 HEX STL ZINC
87	HN-11925	1	KEPS,10-32 HEX STL ZN
88	HW-10856	1	WSHR,LOCK EXT NO10 ZC
90	EH-12260	2	TIE CABLE NYLON 18 INCH
91	FS-19668	1	PLATE,CIRCUIT BREAKER MOUNT
92	DE-20427	1	LABEL,DISCONNECT POWER W RUSSI
93	DE-19238	1	*DECAL,WARNING,MOTOR PLATE,MUL
99	DE-19730	1	Decal, IR Comp Adjust, G
100	HX-17711	2	PLUG,HOLE,PLASTIC 7-16 BLACK bisco #2488
101	AF-19068	1	BRKT,POWER FACTOR,CHOKE
102	SK-18554	1	BRUSH KIT,MCMILLAN 425T 3.0HP
103	AX-19650	1	SUB ASSY,MOTOR,3.0HP 230VDC,MC
103	AX-19649	1	SUB ASSY MOTOR 3.0HP 110VDC MC

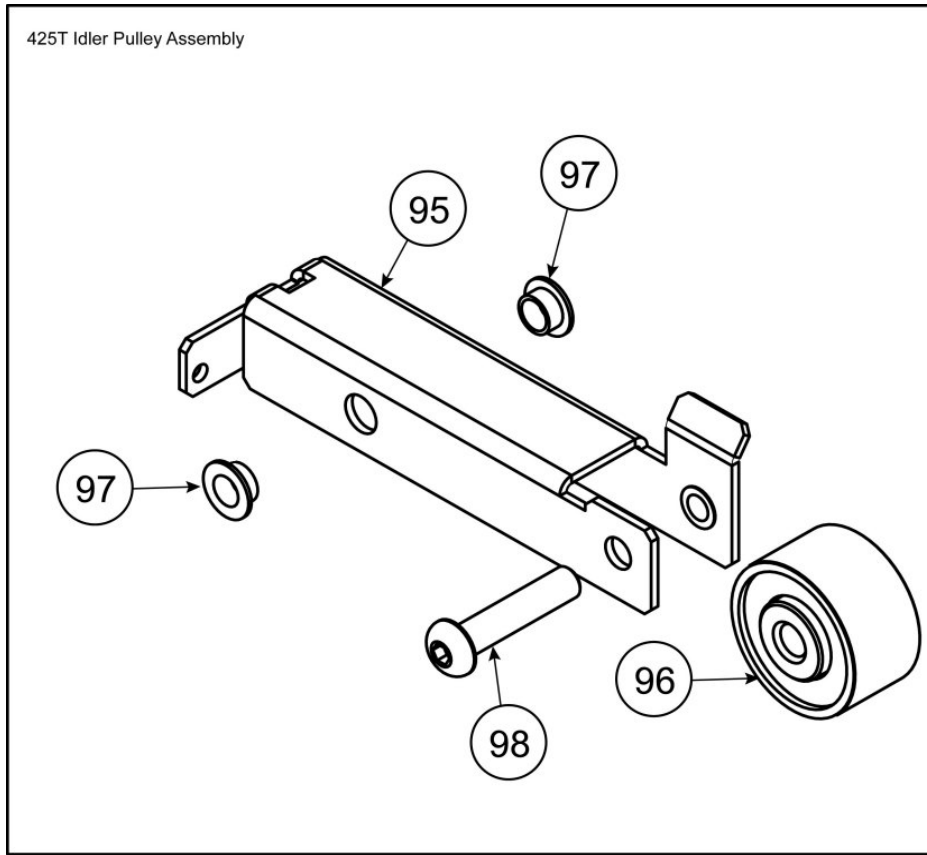
<b>Ref #</b>	<b>Part Number</b>	<b>Qty</b>	<b>Description</b>
121	750A-396	1	Ferrite Clamp-on .40 ID
122	TR-19201	1	CHOKE,3.5MH,15AMP,PFC
123	HX-19857	1	STRIP,MOTOR BASE ISOLATION
124	EH-19717	1	BUSHING,STRAIN RELIEF,.425" TH

# Elevation Assembly



Ref #	Part Number	Qty	Description
7	AF-18394	1	WELDMENT,ELEVATION
21	FM-18405	1	SHAFT,ELEVATION
24	FT-16825	1	SLEEVE,ELEVATION MOUNTING, TOP
25	FT-16826	1	SLEEVE,ELEVATION MOUNTING,BTM
28	HN-17935	1	NUT LOCK,3-8-24,GRD C,STL,ZN
36	HS-17936	1	BOLT,3-8-24X2.0,HXHD CAP,G8,YE
37	HS-17937	1	BOLT,3-8-24X2.75,HXHD CAP,G8,Y
38	HS-19108	2	SCREW 5-16-18X3-4LG,HXHD,WHIZ-
53	HX-19384	1	COUPLING,SHAFT,DBL SPLIT 5-8IN
74	CW-22240	2	WHEEL,80MM DIA X 32MM W
75	HB-18768	2	BEARING,IGUS LF-1011-12
76	HS-60022	2	BOLT,3-8X2.25,HXHD CAP,BLK ZN,
77	HN-60064	2	NUT JAM 3-8IN.-16 BLK ZN
79	HX-22247	2	BUSHING,SPANNER,.500 OD X 1.5i
102	MR-18403	1	MOTOR,ELEVATION,230VAC
102	MR-18402	1	MOTOR,ELEVATION,115VAC

# Idler Pulley Assembly



Ref #	Part Number	Qty	Description
95	AF-18728	1	BRKT, IDLER
96	HB-19135	1	IDLER WHEEL, 1.88X1.0
97	HB-18056	2	BUSHING, FLANGE, .375X.469X.25
98	HS-19338	1	SCREW, 3-8-16X1.75, SCHD BTN, BL

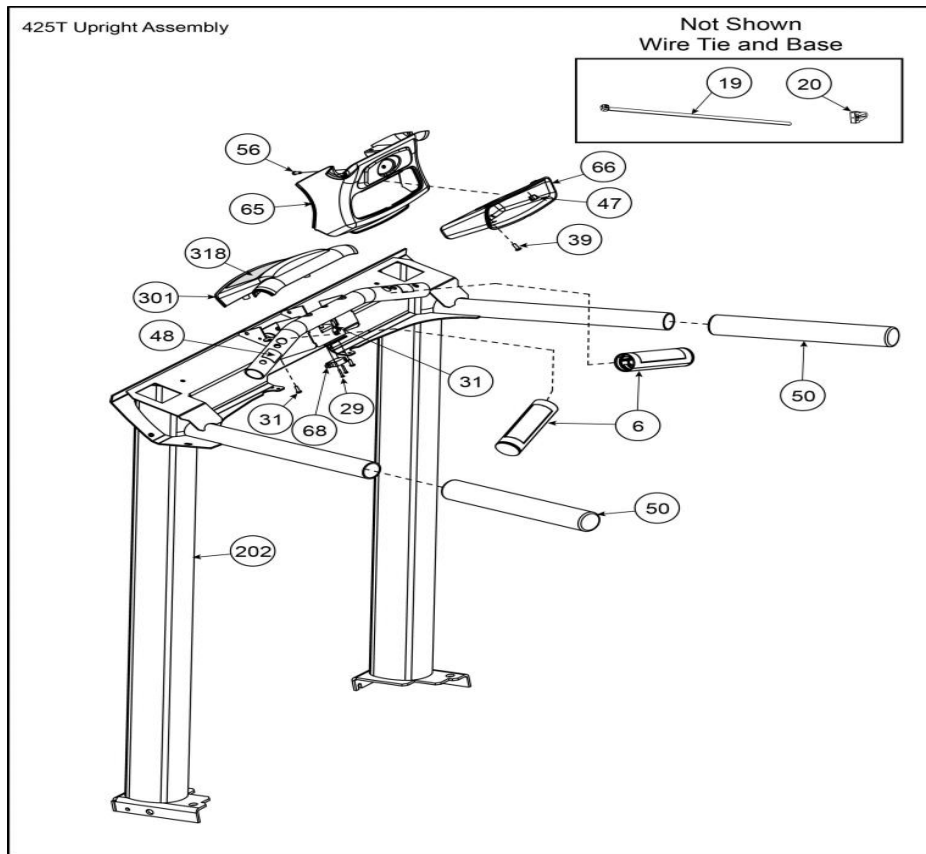
**Parts not shown**

Other Parts Not Shown

Ref #	Part Number	Qty	Description
NS	AW-19117	1	CABLE,610ARC A-V I-O
NS	AX-19193-4	1	*ASSY,TV SUPPORT,425T 445T,ENG
NS	AX-19193-6	1	*ASSY,TV SUPPORT,425T 445T,JAP
NS	KEF-21820	1	KIT,FUSE REPLACMENT 550T,115V,
NS	LT-20653	1	WARRANTY,455T,PINK
NS	AW-18973	1	CABLE,ELEVATION MOTOR,445T
NS	AX-19193-1	1	*ASSY,TV SUPPORT,425T 445T,GER
NS	LT-03051	1	SIGN FACILITY SAFETY
NS	AW-18540	1	WIRE,CB TO FILTER,BLACK
NS	AW-19878	1	POWER CORD,230V,13A,50HZ,396CM
NS	HS-19108	1	SCREW 5-16-18X3-4LG,HXHD,WHIZ-
NS	HX-19059	1	PLUG,TUBE END, 1.5 OD
NS	LT-19340	1	POSTER,ASSY 425T 445T
NS	LT-19801	1	WARRANTY,445T,PINK
NS	AW-18530	1	WIRE,FILTER TO BOARD,BLACK
NS	AX-19193-3	1	*ASSY,TV SUPPORT,425T 445T,SPA
NS	AX-19193-7	1	*ASSY,TV SUPPORT,425T 445T,SWE
NS	AW-18574-Q	1	CABLE,SPEED SENSOR EXT
NS	AW-19221-Q	1	HARNESS,CHR,HANDRAIL
NS	AW-19235	1	WIRE,CONTROLLER GROUND
NS	LT-19800	1	Owner Manual 445T
NS	AW-19679	1	HARNESS,445T 455T CONSOLE

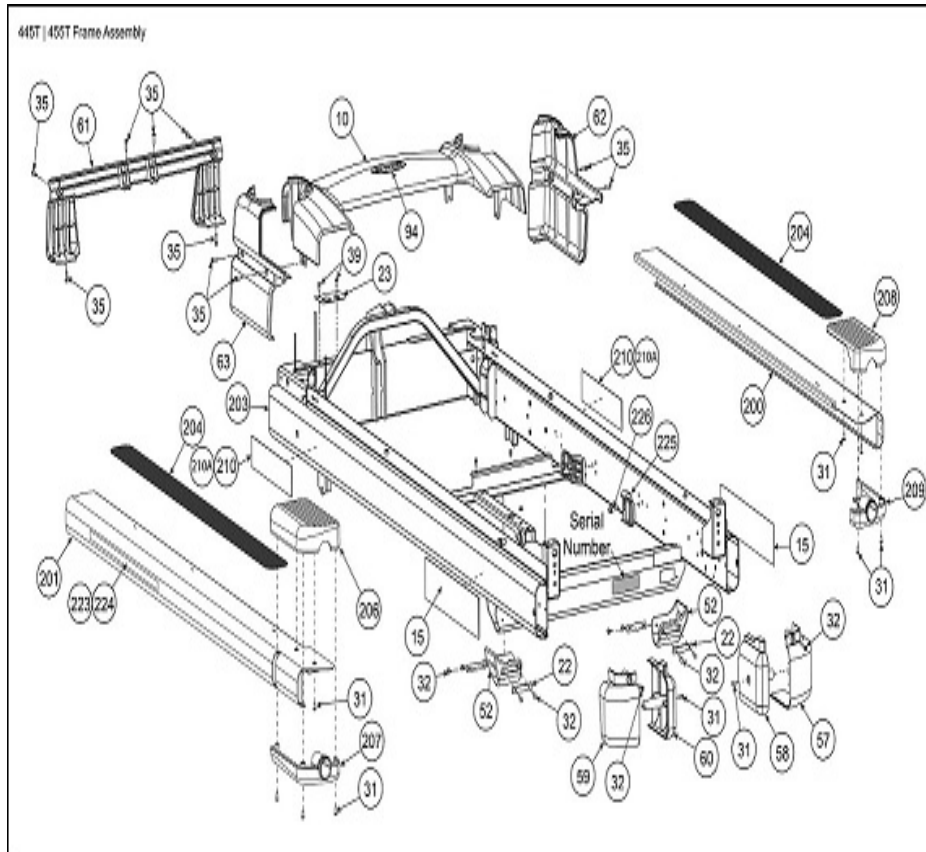
Ref #	Part Number	Qty	Description
NS	AW-19714	1	POWER CORD,115V,20A,60HZ
NS	EH-10291	1	TY WRAP BASE
NS	AW-22234	1	POWER CORD,13A,250V 445T DANIS
NS	AF-19068	1	BRKT,POWER FACTOR,CHOKE
NS	AW-18531	1	WIRE,FILTER TO BOARD,WHITE
NS	AW-18541	1	WIRE,CB TO FILTER,WHITE
NS	AW-19678	1	HARNESS,445T FRAME
NS	DE-18413	1	DECAL,ETL AND CSA
NS	FS-19190	1	BRKT,CONTROLLER MOUNT
NS	AW-19715	1	POWER CORD,220V,15A,60HZ
NS	AW-19716	1	POWER CORD,230V,16A,50HZ
NS	AX-19193-2	1	*ASSY,TV SUPPORT,425T 445T,FRE
NS	AX-19354	1	KIT,INSTALL HARDWARE,425T 445T
NS	EF-19632	1	FUSE,15A SLO BLO 1-4X1.1-4 250
NS	FS-18771	1	COVER,LOWER CONTROLLER

# Upright Assembly



Ref #	Part Number	Qty	Description
6	SK-17827	2	SERVICE KIT,530T HR GRIPS
19	EH-00986	1	TY WRAP,T B TYB-25M 9 in
20	EH-10291	1	TY WRAP BASE
29	HS-00156	2	SCREW,4-40X.62,PNHD PHIL
31	HS-15706	1	SCREW,8-16X.50,PNHD,STL,BLK ZN CLR,TYP WB
39	HS-41006	2	SCREW SLFTP,10-24X.5,PNHD PHIL,410SS,HRDBO,WAX,TT
47	HX-20799	2	PLUG,HOLE,PLASTIC 9-16 BLACK
48	HX-17788	2	TAPE,DBL SIDED, .032THK
50	HX-18901	2	GRIPS,HANDRAIL,425T 445T 455T
56	PL-18773	2	ACTUATOR,E-STOP
65	PL-19093	1	COVER,CHR,BOTTOM
66	PL-19094	1	ACCESSORY TRAY,425T 445T 455T
68	SW-18535	1	SWITCH LIMIT,BUTTON MICROSWITC
202	SCK-18486	1	WELDMENT, UPRIGHT, 425T, CFG
301	AX-19356	1	
318	DE-19189	1	LABEL,WARNING,425T- Custom

# 445T/455T Frame Assembly



Ref #	Part Number	Qty	Description
10	AX-19239	1	ASSY,MOTOR COVER
15	DE-19360	2	DECAL,CYBEX,BLACK
15	DE-19353	2	DECAL,CYBEX,SILVER
22	FS-16511	2	PLATE,REAR RUBBER FOOT MNT
23	FS-19731	1	PLATE,CABLE CONNECTOR,445T 455
31	HS-15706	12	SCREW,8-16X.50,PNHD,STL,BLK ZN CLR,TYP WB
32	HS-16509	8	SCREW SLFTP,10X.5,PNHD,PLT,TYP
35	HS-16939	6	SCREW SEMS,10-32X.75,PNHD,BLK
			SCREW SLFTP,10-24X.5,PNHD
39	HS-41006	4	PHIL,410SS,HRDBO,WAX,TT
52	HX-16510	2	FOOT,RUBBER,REAR
57	PL-18929	1	COVER,REAR,OUTER RIGHT
58	PL-18930	1	COVER,REAR,INNER RIGHT
59	PL-18932	1	COVER,REAR,OUTER LEFT
60	PL-18933	1	COVER,REAR,INNER LEFT
61	PL-18990	1	COVER,MOTOR,FRONT
62	PL-18991	1	COVER,MOTOR,RIGHT
63	PL-18992	1	COVER,MOTOR,LEFT
94	DE-19198	1	DECAL,CYBEX LOGO Empire screen
200	SCK-18765	1	KIT, TOP STEP ASSY,RIGHT
201	SCK-18764	1	KIT, TOP STEP ASSY,LEFT
203	AF-20559	1	NLA: WELDMNT,FRAME,445T

Ref #	Part Number	Qty	Description
204	DE-18766	2	DECAL,SAFETY WALK
204	DE-20718	2	DECAL,SAFETY WALK,445T,IFI
206	PL-18931	1	COVER,REAR,TOP LEFT
207	PL-19120	1	COVER,REAR BOTTOM,LEFT
208	PL-18928	1	COVER,REAR,TOP RIGHT
209	PL-19118	1	COVER,REAR BOTTOM,RIGHT
210A	DE-20650	2	DECAL,CX 455T,SILVER
210	DE-19727	2	DECAL,CX 445T,SILVER
210A	DE-20649	2	DECAL,CX 455T,BLACK
210	DE-19726	2	DECAL,CX 445T,BLACK
223	DE-22327	2	LABEL,BLACK,INTELLIGENT SUSPENSION 3
224	DE-22328	2	LABEL,SILVER,INTELLIGENT SUSPENSION 3
225	PL-22129	1	BRKT,POWER CORD STORAGE,PLASTI
226	HS-22137	1	BOLT, 1-4-14x1.25,HXHD WSHR,TY

