

Arc Trainer 525AT Total Body LED Console

525AT-LED-10

Parts Manual

1/5/2019 4:37:51 AM

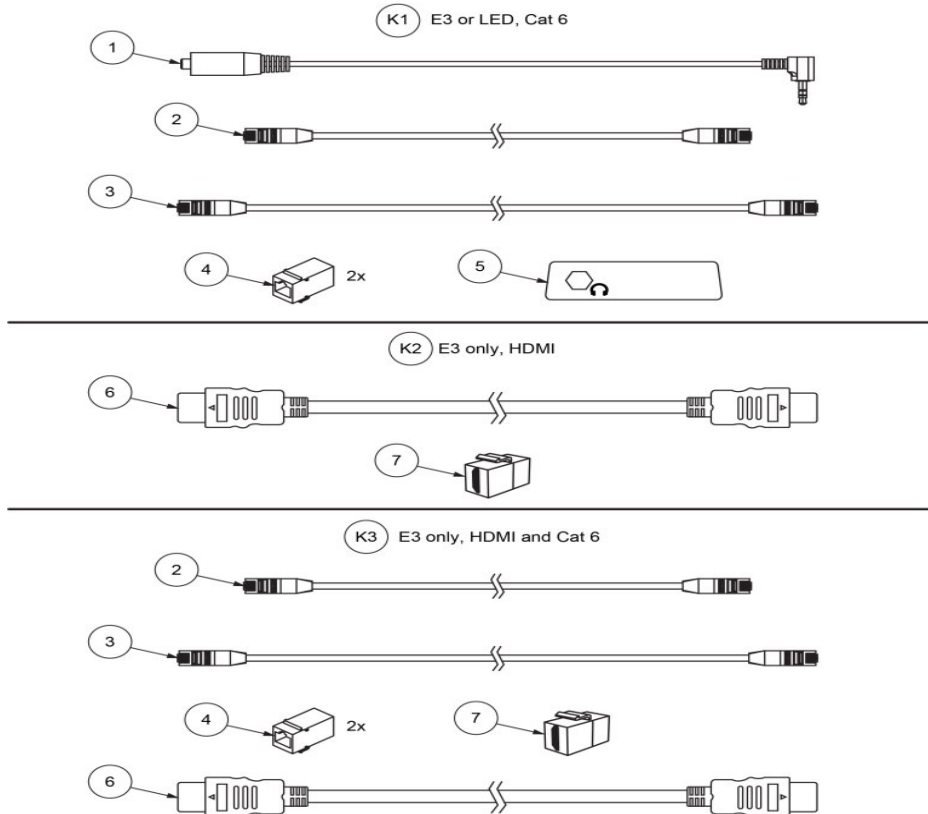


Table of Contents

STB upgrade kit 525A.....	3
525AT Arm Linkage Assembly.....	4
525AT Console iPod Option.....	6
525AT Console Assembly.....	7
525AT Console Cables.....	9
525AT Console Tray Assembly.....	10
525AT Drive Frame Assembly.....	11
525AT Foot Plate Assembly.....	13
525AT Handle Assembly.....	14
525AT Hardware Manual and Power Cords.....	16
525AT Shroud Assembly.....	18
525AT Wireless Audio Option.....	19
525 Arc Drive Frame Detail.....	20
525 Asset Management Kit.....	22
750A Linkage Assembly.....	23

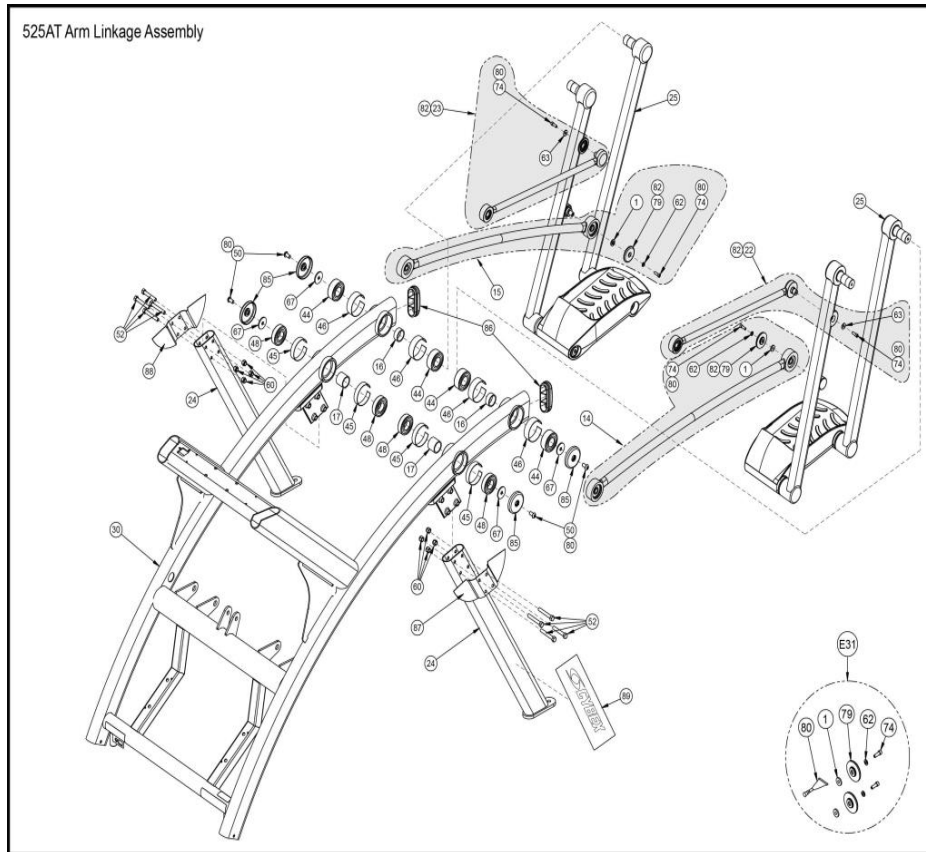
STB_upgrade_kit_525A

525 Arc Trainer, Set Top Box Kit



Ref #	Part Number	Qty	Description
1	525AT-311	1	CABLE, HEADPHONE JACK JMPR
K1	PKAW-25924	1	UPGRADE KIT,525A E3,LED CAT6
K2	PKAW-25927	1	UPGRADE KIT, ARC EPEM HDMI
2	AW-24891	1	CABLE,CAT6 SHIELDED,2FT(24IN),BLK
K3	PKAW-25929	1	UPGRADE KIT, ARC EPEM HDMI CAT6
3	AW-24892	1	CABLE,CAT6 SHIELDED,7FT(84IN),
4	CN-24895	2	COUPLER,CAT6 SHIELDED RJ45 8 C
5	525AT-391	1	DECAL, HEADPHONE JACK, 525 ACR
6	AW-25819	1	CABLE, HDMI 8' HIGH SPEED M-M
7	CN-25816	1	COUPLER, HDMI KEYSTONE

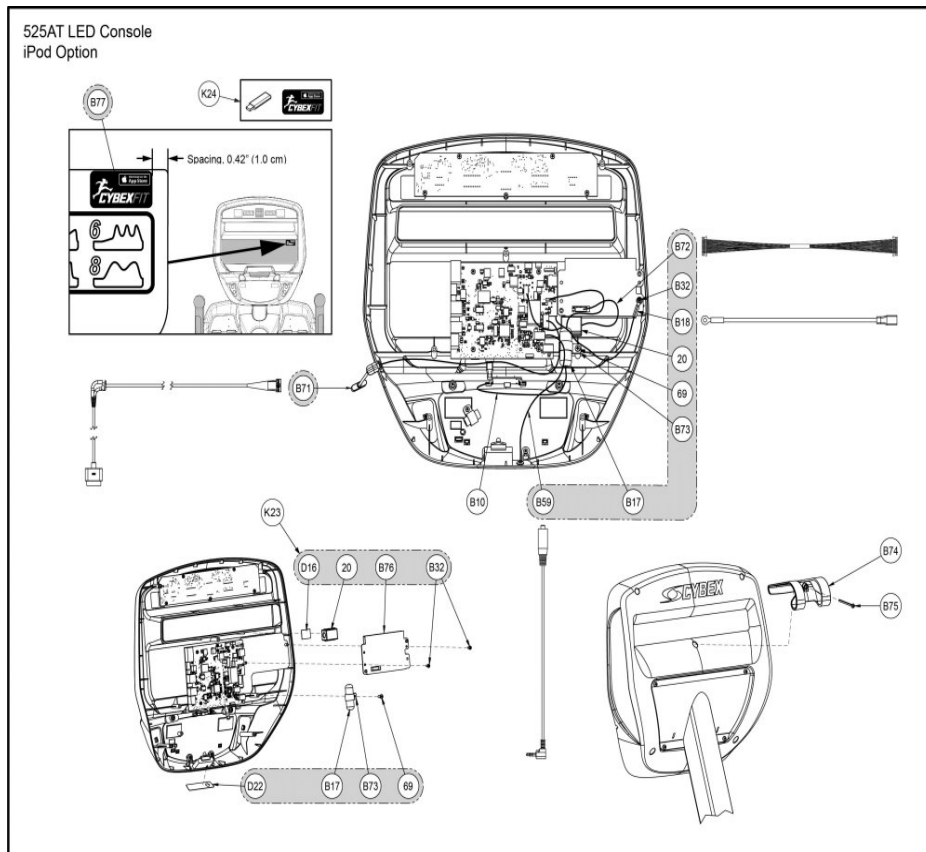
525AT Arm Linkage Assembly



Ref #	Part Number	Qty	Description
1	600A-311	2	SPACER FLANGE
14	750AK006	1	KIT, LINKAGE ROD LEFT
15	750AK007	1	KIT, LINKAGE ROD RIGHT
16	750A-312	2	Tube Spacer
17	750A-325	2	Tube Spacer
22	750AK012	1	KIT, ARM HANDLE LINKAGE LH
23	750AK013	1	KIT, ARM HANDLE LINKAGE RH
24	771A-201	1	W REAR LEG Custom
25	770AK010	1	KIT, FOOT PLATE ARM, REAR
30	525AT-200	1	W MAIN FRAME Custom
44	FB030256	4	BEARING BALL 1.181 DIA DOUBLE ROW
45	FC030003	4	TOLERANCE RING 2.4409 ID
46	FC030011	4	Tolerance Ring .62mm dia
48	HB-17280	4	BEARING,BALL,SINGLE ROW,6206
50	HC700415	4	BHSCS .375-16 X .75
52	HC701230	6	HX HD CAP SC .375-16 X 2.500
60	HN704901	6	LOCKNUT .375-16 NYLON
62	HS307601	1	WASH FLAT .281 .500 .062 T
63	HS307603	2	WASHER FLAT .253 ID X .750 OD X .120
67	HS347602	4	WASHER .390 X 1.500 X .124 FLAT
74	HX622815	2	SHCS .250-20 X .75 SS
79,E31	600AK012	3	KIT LINKAGE CAP

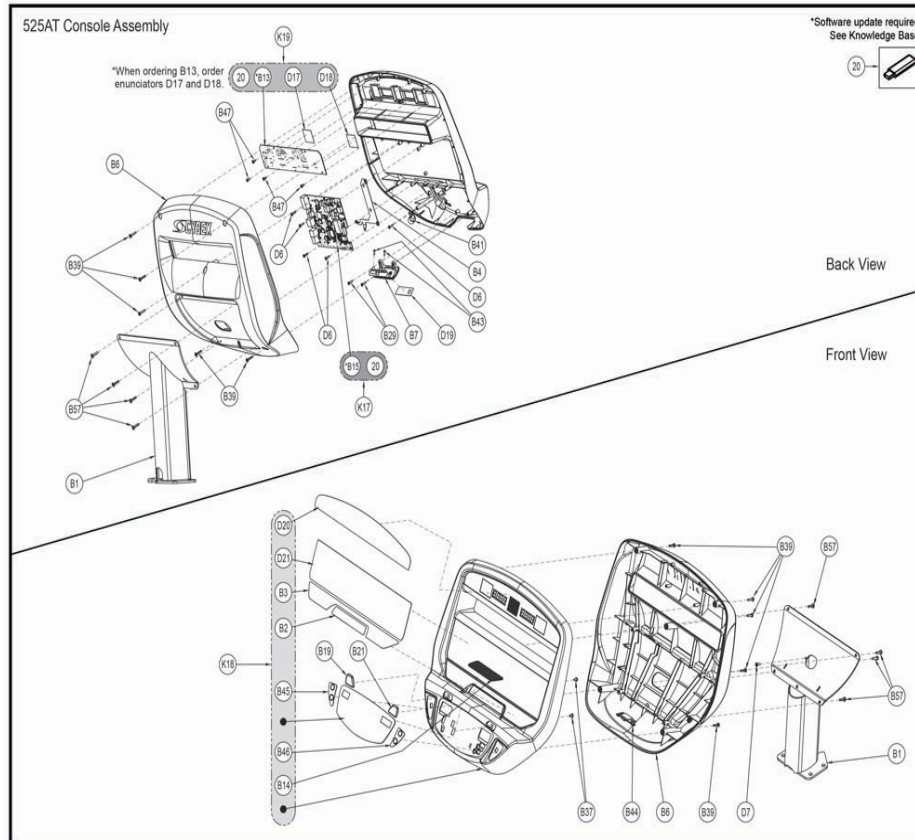
Ref #	Part Number	Qty	Description
80	YA000201	1	ADH THRD LKR REM .02 OZ 242
82	YG000007	1	NLA: GREASE TRANS LUBRIPLATE 1200-2
85	425A-484	1	End Cap
86	PP130004	1	Insert Domed Plastic
87	525AT-316	1	LEG GUARD LH
88	525AT-317	1	LEG GUARD RH
89	3900-448	1	
89	3900-447	1	DECAL CYBEX 1.94 HOR BLACK

525AT Console iPod Option



Ref #	Part Number	Qty	Description
B10	770A-361	1	CABLE, ARC HRBOARD TO MCC
D16	01250	2	TAPE DOUBLE COATED 0.75
B17	770A-410	2	FERRITE, 407 OHMS
B18	770A-412	1	CABLE, EPDM CHASSIS GROUND
20	750A-396	1	Ferrite Clamp-on .40 ID
D22	525AT-391	1	DECAL, HEADPHONE JACK, 525 ACR
K23	PKCP-24885	1	KIT,APPLE UPGRADE,525TCR
K24	PKCP-24966	1	KIT,CYBEX FIT DECAL
B32	HJ532510	1	SCREW, SEMS, 6-32 X .38 PNHD PHIL EXT BLK ZN
B59	525AT-311	1	CABLE, HEADPHONE JACK JMPR
69	HT552512	2	TAP SC NO. 8-16 X .50 PLASTITE PAN HEAD PHILLIPS BLACK
B71	OAW-23863V	1	CABLE, IPOD, 525, PURCHASED
B72	OAW-24234	1	CABLE, 525 TARC GXF BD TO MCC BD
B73	OHX-24312	1	CLIP, cable clamp
B74	OPL-24065	1	CLIP, IPAD
B75	HT552530	1	TAP SC NO. 8-16 X 2.50 PLASTITE PN HD PHIL BLK
B76	525AT-425	1	
B77	ODE-24397	1	DECAL, CYBEX FIT APP

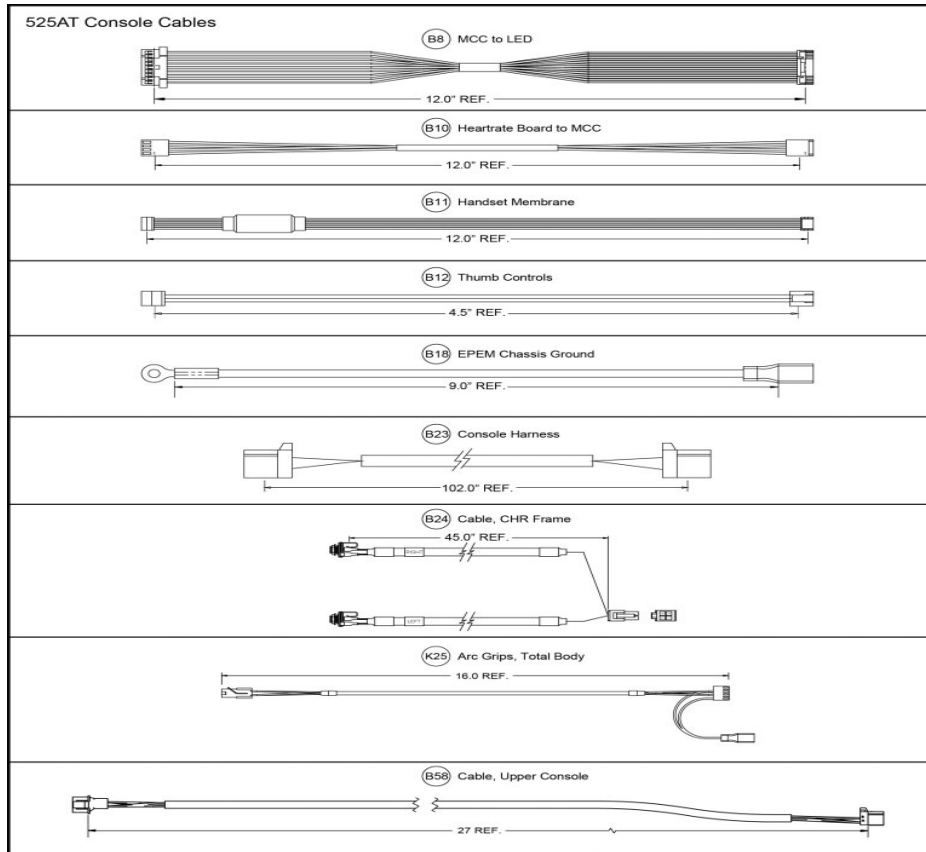
525AT Console Assembly



Ref #	Part Number	Qty	Description
B1	525AT-205	1	W/ CONSOLE
B2	525AT-313	1	LABEL, WARNING CENTER, 525
B3	525AT-314	1	LABEL, WARNING MAIN, 525
B4	525AT-315	1	PLATE, GROUNDING, MCC
B6	525AT-320	1	CONSOLE REAR, LED, 525
D6	HT532512	1	PN HD PHIL SC #6 X .50 PLASTITE
D7	HT542512	1	PAN HD PHIL HD SELF TAPPING, 8-32 X .50 TYPE 23
B7	525AT-322	1	E-STOP HOUSING, 525
B13	525AT-393	1	PCA, LED UPPER DISPLAY BOARD, 525
B14	525AT-399	1	DECAL, IPOD TRAY
B15	525AT-407	1	PCA, MCC, UNPROGRAMMED, IPOD, 525AT, C, R
K17	K525AT-407	1	KIT, PCA MCC, 525 ARC
D17	DE-23686	1	Label Upper Display Mask
D18	525AT-376	1	Label Upp Disp Mask Left
K18	K525AT-318	1	Kit 525 LED Bezel w/dec
B19	770A-328	1	BACK TAB, SMALL CONSOLE, LEFT
D19	525AT-390	1	DECAL, JACK, BLANK, 525AT
K19	K525AT-393	1	Kit 525 LED Upp Disp Bd
D20	525AT-389	1	DECAL, UPPER DISPLAY MASK, LEFT, 525
20	CP-23199	1	USB 2.0 FLASH DRIVE, BLANK CDW 424820 for kit PKCP-23201
D21	DE-24024-4	1	LABEL, CONSOLE CENTER 525AT, ENG

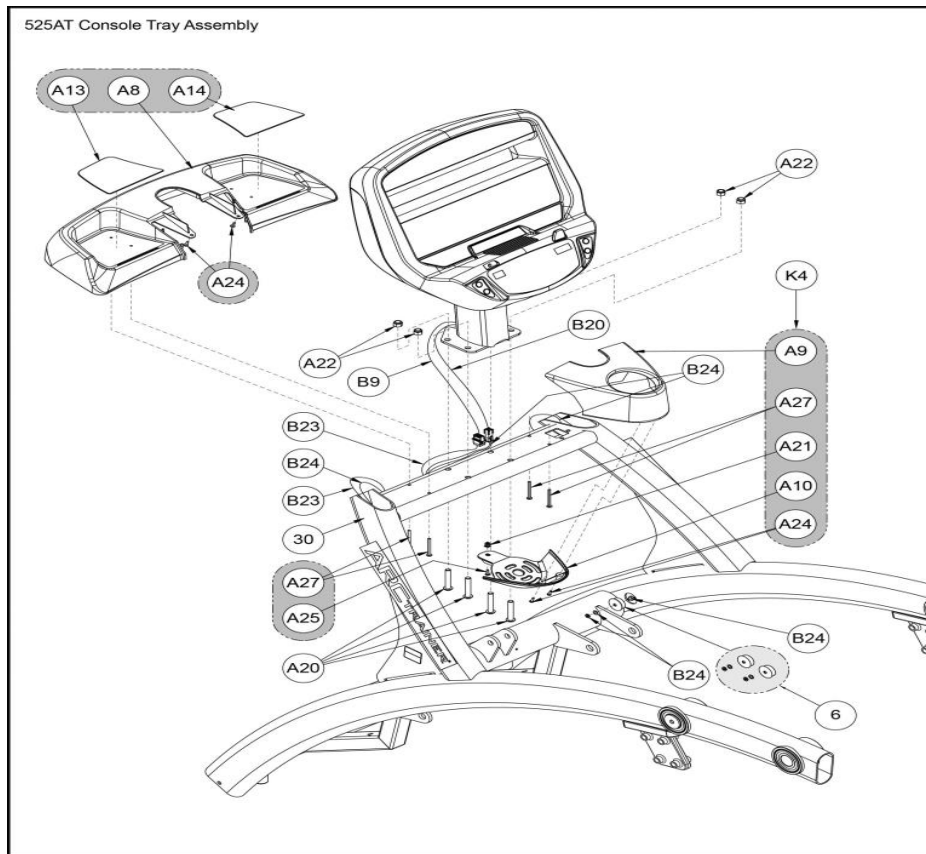
Ref #	Part Number	Qty	Description
B21	770A-329	1	BACK TAB, SMALL CONSOLE, RIGHT
B37	HT552509	1	TAP SC NO 8-16 X .31 PLASTITE PN HD PHIL
B39	HT552515	1	TAP SC NO. 8-16 X .75 PLASTITE PN HD PHIL BLK
B41	PN140001	1	CLAMP, CABLE .56 DIAMETER
B43	HT042510	1	PN HD PHIL SC #4 X .375 PLASTITE
B44	770A-379	1	SENSOR, HEART RATE COMBO
B45	770A-386	1	THUMB SWITCH, LEFT, INCLINE
B46	770A-387	1	THUMB SWITCH, RIGHT, RESISTANCE
B47	HT532509	1	TAP SCREW, #6 X .31 PLASTITE, PHILLS PAN HEAD
B57	HT592515	1	AP SCREW, #10 X .75 PLASTITE, PHILLS PAN HEAD

525AT Console Cables



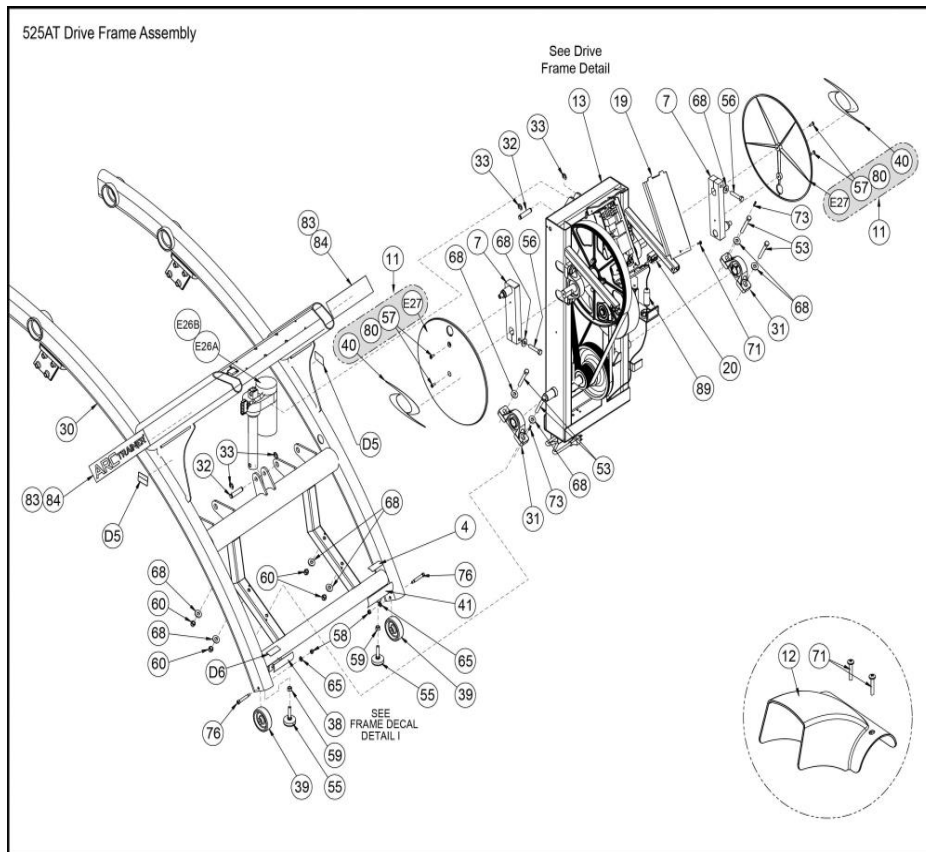
Ref #	Part Number	Qty	Description
B8	770A-359	1	CABLE, 770A ARC MCC TO LED
B10	770A-361	1	CABLE, ARC HRBOARD TO MCC
B11	770A-364	1	CABLE, HANDSET MEMBRANE, ARC
B12	770A-365	2	CABLE, THUMB CONTROLS
B18	770A-412	1	CABLE, EPEM CHASSIS GROUND
B23	AW-20935	1	Cable Frame Harness
B24	AW-21415	1	Cable CHR Frame
K25	KAW-23550	1	KIT, ARC GRIPS TTL BODY
B58	AW-23849	1	CABLE, 525AT CONSOLE UPPER

525AT Console Tray Assembly



Ref #	Part Number	Qty	Description
K4	770AK030	1	Kit, Tray 770A
6	770ATK010	1	KIT, CABLE NUT-WASHER
A8	770A-316	1	TRAY ACCESSORY
B9	AW-23849	1	CABLE,525AT CONSOLE UPPER
A9	770A-317	1	HOLDER, CUP, TOP
A10	770A-318	1	HOLDER, CUP,BOTTOM
A13	770A-331	1	DECAL, WARNING, LOWER 770A CONSOLE- Custom
A14	770A-332	1	DECAL, WARNING, LOWER 770A CONSOLE- Custom
B20	AW-23550	1	CABLE,ARC GRIPS,TOTAL BODY
A20	HC700428	1	BHSCS .375-16 X 2.25
A21	HF540200	4	GROMMET NYLON
A22	HN704901	1	LOCKNUT .375-16 NYLON
B23	AW-20935	1	Cable Frame Harness
B24	AW-21415	1	Cable CHR Frame
A24	HT532512	2	PN HD PHIL SC #6 X .50 PLASTITE
A25	HT552512	2	TAP SC NO. 8-16 X .50 PLASTITE PAN HEAD PHILLIPS BLACK
A27	HT592526	8	Tap Sc 10-12 x 2.00 Pn Hd Phil
30	525AT-200	1	W MAIN FRAME Custom

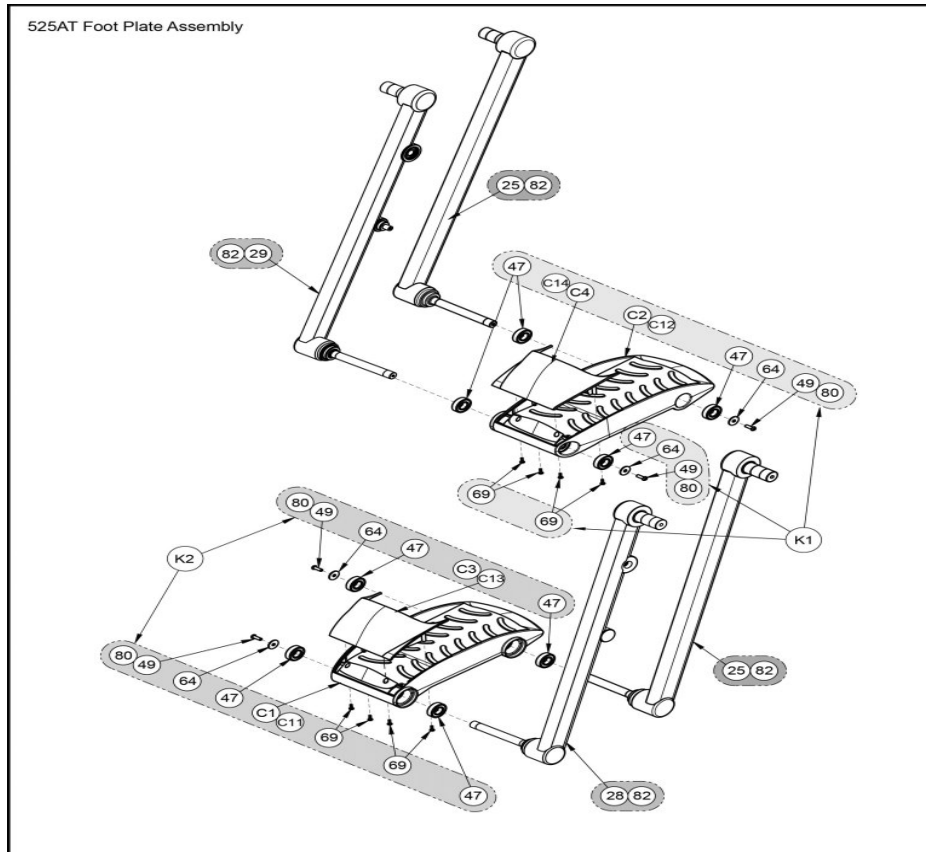
525AT Drive Frame Assembly



Ref #	Part Number	Qty	Description
4	600A-362	1	LABEL PATENT BIOSIG
D5	DE000004	1	Decal Caution Custom
D6	525AT-401	1	
7	610A-395	2	ASSY ARM CRANK
11	1008223-0001	2	KIT: COVER, CRANK, FLAT
12	740A-354	1	Cover Elevation Motor
13	525AT-101	1	DRIVE FRAME ASSEMBLY
19	771A-316	1	COVER, CONTROLLER
20	750A-396	1	Ferrite Clamp-on .40 ID
E26A	MR-23816	1	MOTOR, ELEVATION, 115VAC, 50/60 HZ
E26B	MR-23817	1	MOTOR, ELEVATION, 230VAC, 50/60 HZ
E27	1006629-0002	1	COVER, CRANK-CHR
30	525AT-200	1	W MAIN FRAME Custom
31	AF-16694	2	ASSY,BEARING,PILLOW BLOCK
32	AP030055	2	Pin Groove .50 x 2.00
33	BR030228	4	Retaining Ring .500 External
38	CM000199	1	DECAL SERIAL NUMBER
39	CW-17231	2	WHEEL, TENSIONER
40	DE-17339	2	DECAL CYBEX VORTEX
41	DE-21625	1	Label ETL CSA CE 750A
53	HC701234	2	HX HD CAP SC .375-16 X 3.00
55	HG700022	2	LEVELING GLIDE 3-8-16

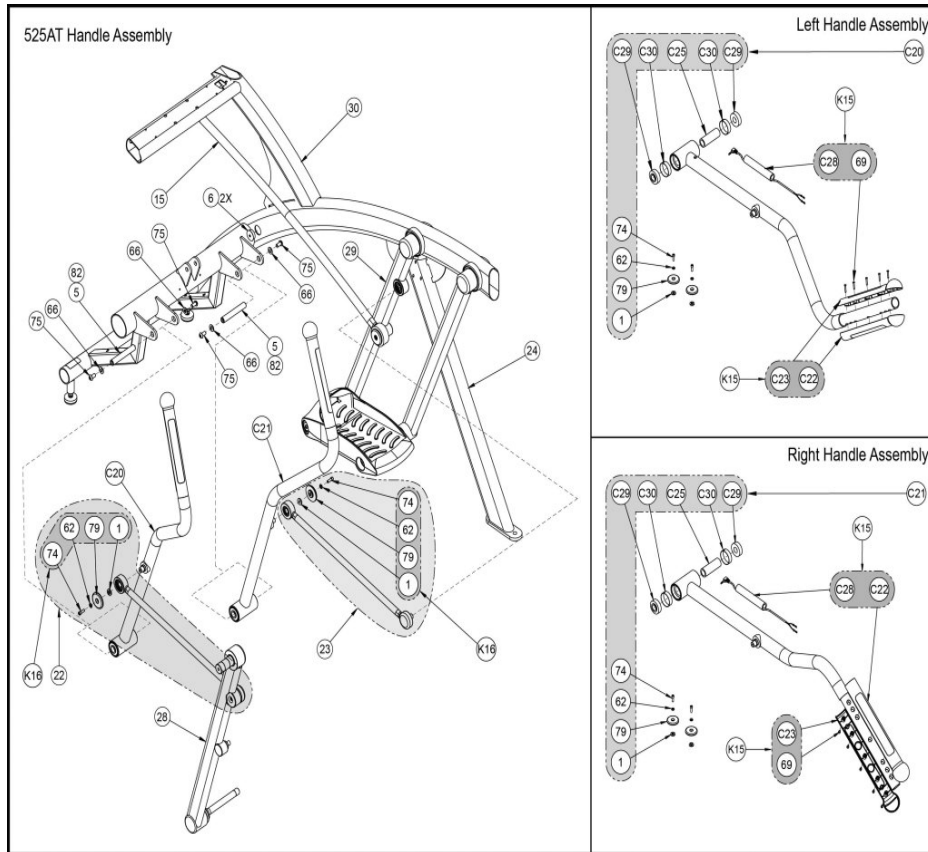
Ref #	Part Number	Qty	Description
56	HH701226	0	BOLT, HHCS GRD 8, .375-16 X 2.0
57	HM582514	4	PN HD PHIL SC NO 10-32 X .625 BLK ZN
58	HN624901	2	LOCKNUT .250-20 NYLON BLACK ZINC
59	HN704000	2	HEX NUT .375-16
60	HN704901	6	LOCKNUT .375-16 NYLON
65	HS328300	2	LOCKWASHER SPLIT .312
68	HS347700	10	WASHER USS .375
71	HT572512	4	TAP SC NO. 10 - 24 X .50 PN HD PHIL
73	HX-17023	2	PIN,SPRING .187X.813 LG,TYPE 420,ST STL
76	JD623324	2	S BOLT .312 X 1.75 .250-20
80	YA000201	1	ADH THRD LKR REM .02 OZ 242
83	770A-337	2	DECAL, ARC TRAINER BLACK
84	770A-338	2	DECAL, ARC TRAINER
89	770A-410	1	FERRITE, 407 OHMS

525AT Foot Plate Assembly



Ref #	Part Number	Qty	Description
K1	750AK002	1	KIT, FOOT PLATE RIGHT
C1	740A-378	1	Foot Plate LH
C2	740A-379	1	Foot Plate RH
K2	750AK003	1	KIT, FOOT PLATE LEFT
C3	740A-380	1	Toe Cap LH
C4	740A-381	1	Toe Cap RH
C11	740A-392	1	FOOT PLATE, LH
C12	740A-393	1	FOOT PLATE, RH
C13	740A-394	1	TOE CAP, LH
C14	740A-395	1	TOE CAP, RH
25	770AK010	1	KIT, FOOT PLATE ARM, REAR
28	773ATK009	1	KIT, FOOT PLATE ARM, FRONT LEFT SIDE
29	773ATK010	1	KIT, FOOT PLATE ARM, FRONT RIGHT SIDE
47	HB-17036	8	BEARING,BALL, .750DIA
49	HC620415	4	BHSCS .250-20 X .75, BL ZN
64	HS307604	2	WASHER, FLAT .281 ID X 1.000 OD X .063 TH BL ZN
69	HT552512	4	TAP SC NO. 8-16 X .50 PLASTITE PAN HEAD PHILLIPS BLACK
80	YA000201	1	ADH THRD LKR REM .02 OZ 242
82	YG000007	1	NLA: GREASE TRANS LUBRIPLATE 1200-2

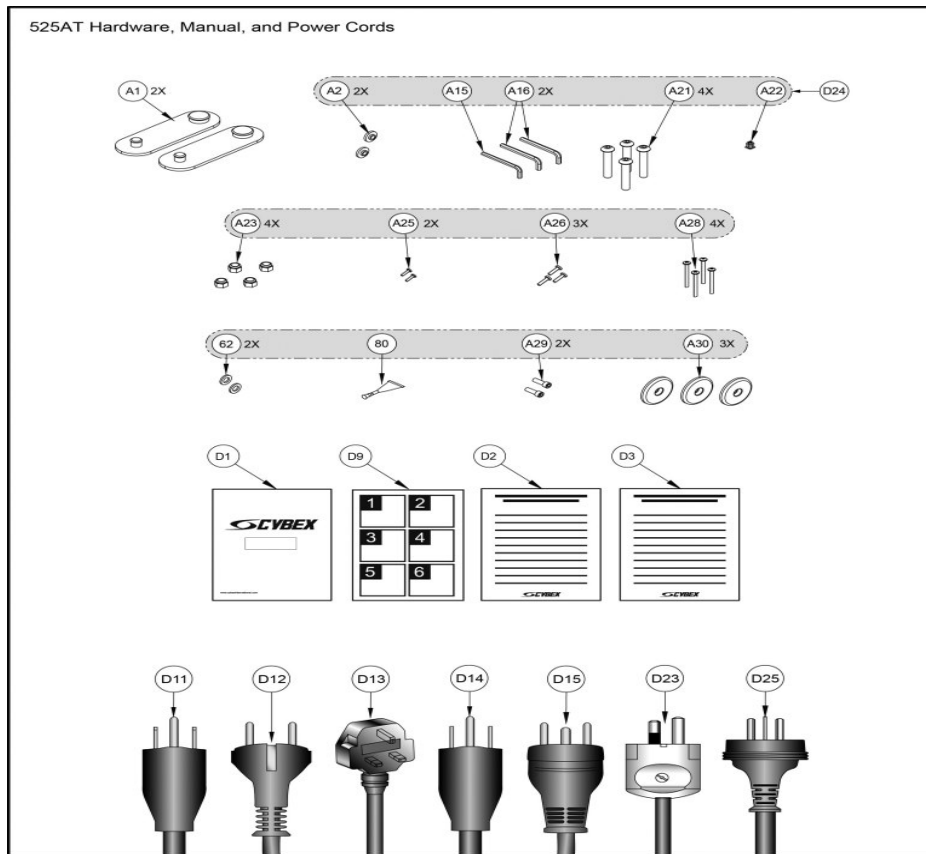
525AT Handle Assembly



Ref #	Part Number	Qty	Description
1	600A-311	2	SPACER FLANGE
5	610A-351	2	PIN PIVOT
6	610AK021	1	KIT PLUG INSERT
15	750AK007	1	KIT, LINKAGE ROD RIGHT
K15	625ATK014	1	KIT, CONTACT GRIPS WITH WIRES
C20	625ATK006	1	KIT, ARM HANDLE, LEFT SIDE
C21	625ATK007	1	KIT, ARM HANDLE, RIGHT SIDE
22	750AK012	1	KIT, ARM HANDLE LINKAGE LH
C22	425A-378	1	GRIP HOUSING WITH METAL PLATEFRONT
23	750AK013	1	KIT, ARM HANDLE LINKAGE RH
C23	425A-379	1	GRIP: CHR BACK, W/SCREWS
24	771A-201	1	W REAR LEG Custom
C25	610A-356	1	TUBE SPACER
C28	AW-18286	1	CABLE 610A CHR GRIP
28	770ATK008	1	NLA: KIT, FOOT PLATE ARM, FRONT LEFT SIDE
29	773ATK010	1	KIT, FOOT PLATE ARM, FRONT RIGHT SIDE
C29	FB030232	2	BRG RADIAL 17MM ID EXT RACE
C30	FC030006	2	TOLERANCE RING 1.575 ID
30	525AT-200	1	W MAIN FRAME Custom
62	HS307601	1	WASH FLAT .281 .500 .062 T
66	HS347600	4	WASHER SAE .375
69	HT552512	2	TAP SC NO. 8-16 X .50 PLASTITE PAN HEAD PHILLIPS

Ref #	Part Number	Qty	Description
			BLACK
74	HX622815	2	SHCS .250-20 X .75 SS
75	HX700415	4	BHSCS .375-16 X .75 SS
79,K16	600AK012	5	KIT LINKAGE CAP
82	YG000007	1	NLA: GREASE TRANS LUBRIPLATE 1200-2

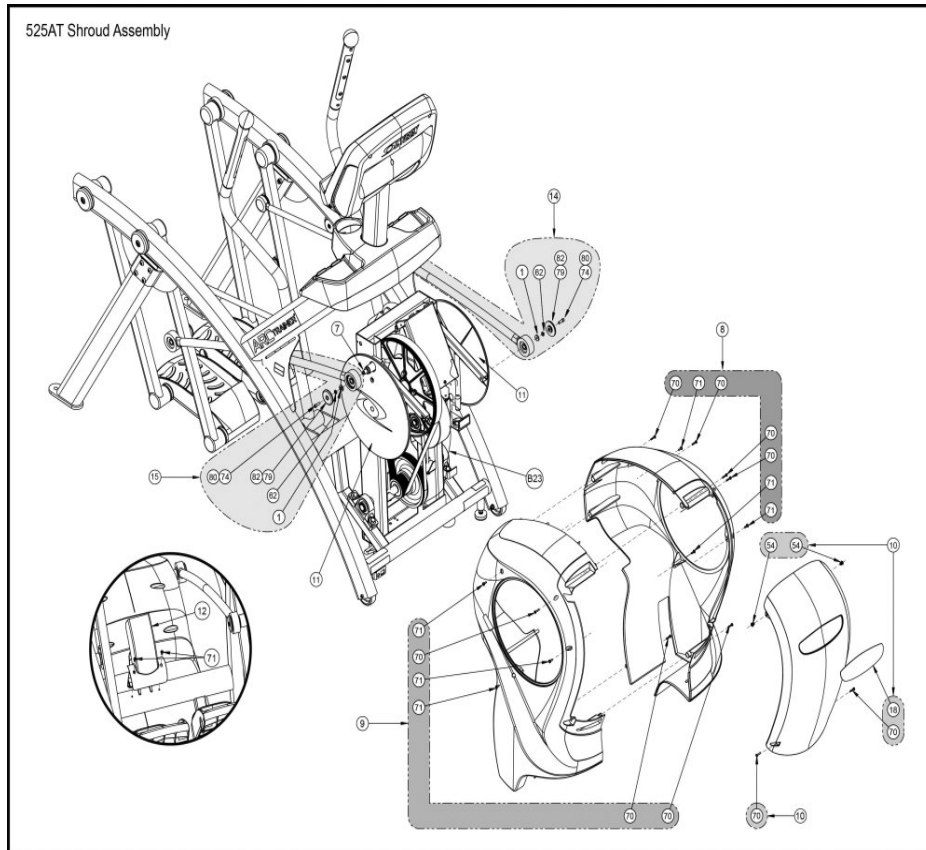
525AT Hardware Manual and Power Cords



Ref #	Part Number	Qty	Description
A1	12090-322	2	PAD FOOT
D1	5525	1	FIXED ABDOMINAL BOARD
A2	600A-311	2	SPACER FLANGE
D2	525AT-330	1	WARRENTY SHT, COMMERCIAL ARC
D3	525AT-331	1	WARRENTY SHT, CONSUMER ARC
D9	525AT-328	1	POSTER, ASSEMBLY INSTR
D11	EW600007	1	POWER CORD, NEMA5-1 5PTOIEC320 C13 LA, 10A
D12	EW600008	1	POWER CORD, CEE 7/7 TO IEC320 C13 LA, 10A
D13	EW600009	1	POWER CORD, BS 1363UK10 TO IEC320 C13 LA, 10A
D14	EW600010	1	POWER CORD, JIS 8303 TO IEC320 C13 LA, 12A
A15	BK030201	1	HEX KEY .188IN
D15	EW600011	1	POWER CORD, DANISH DK2-1A TO IEC320 C13 LA, 12A
A16	BK030204	2	HEX KEY .219IN
A21	HC700428	4	BHSCS .375-16 X 2.25
A22	HF540200	1	GROMMET NYLON
A23	HN704901	4	LOCKNUT .375-16 NYLON
D23	EW600012	1	POWER CORD, AS/NZS3112TOIEC320C13 LA, 10A
D24	525AT-340	1	HARDWARE PACK, 525AT
A25	HT532512	2	PN HD PHIL SC #6 X .50 PLASTITE
D25	OAW-25706	1	POWER CORD, 10A/250V, 2.5MM CHINESE TO C13
A26	HT552512	19	TAP SC NO. 8-16 X .50 PLASTITE PAN HEAD PHILLIPS BLACK

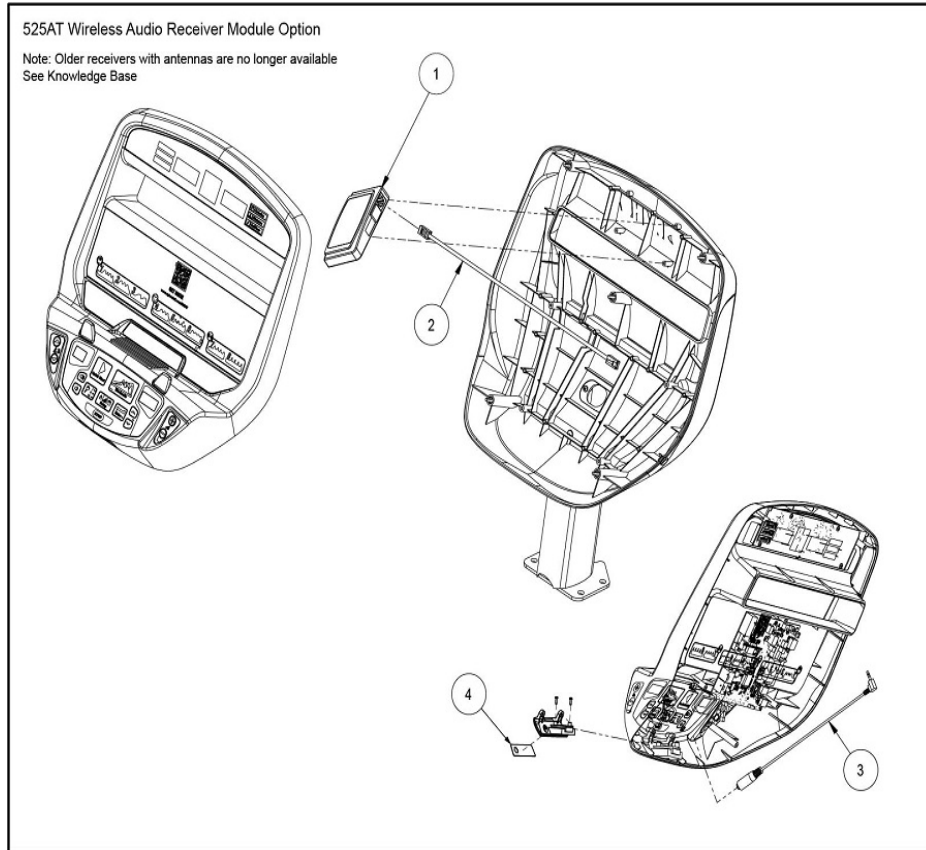
Ref #	Part Number	Qty	Description
A28	HT592526	4	Tap Sc 10-12 x 2.00 Pn Hd Phil
A29	HX622815	2	SHCS .250-20 X .75 SS
A30	600AK012	3	KIT LINKAGE CAP
62	HS307601	1	WASH FLAT .281 .500 .062 T
80	YA000201	1	ADH THRD LKR REM .02 OZ 242

525AT Shroud Assembly



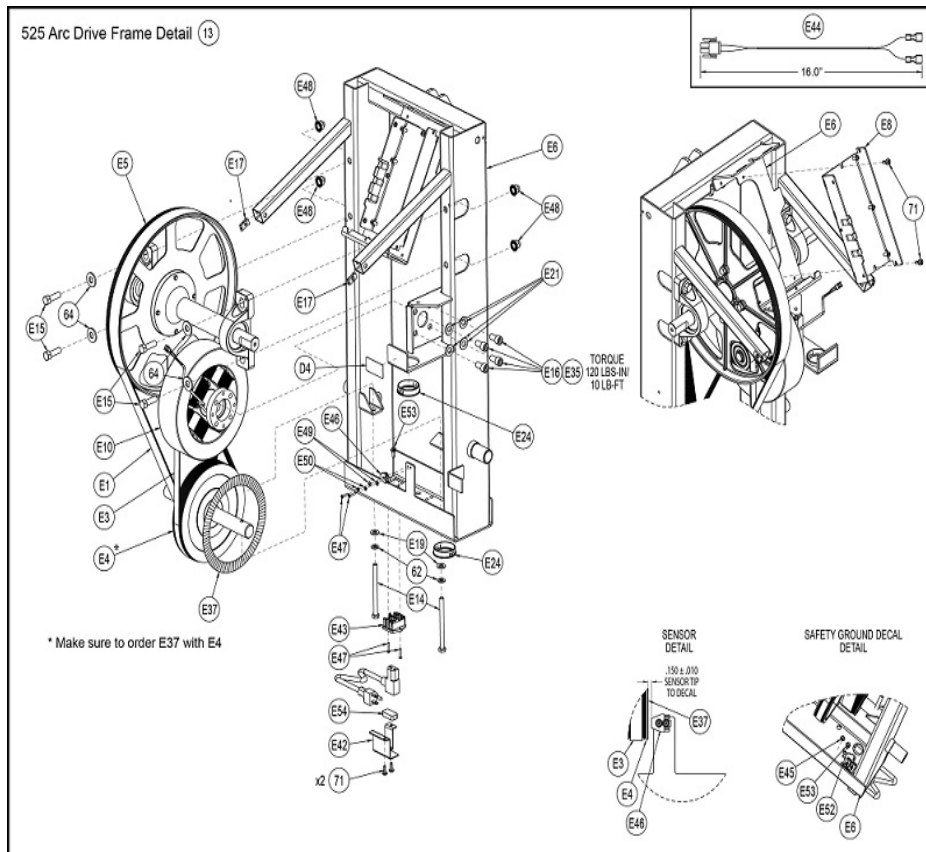
Ref #	Part Number	Qty	Description
1	600A-311	1	SPACER FLANGE
8	750AK021	1	KIT, ARC SHROUD LEFT
9	750AK022	1	KIT, ARC SHROUD RIGHT
10	750AK024-4	1	KIT, ACCESS COVER
11	1008223-0001	2	KIT: COVER, CRANK, FLAT
12	740A-354	1	Cover Elevation Motor
14	750AK006	9	KIT, LINKAGE ROD LEFT
15	750AK007	4	KIT, LINKAGE ROD RIGHT
18	750A-349	2	Decal ARC
B23	AW-20935	1	Cable Frame Harness
54	HF540200	2	GROMMET NYLON
62	HS307601	1	WASH FLAT .281 .500 .062 T
70	HT552515	1	TAP SC NO. 8-16 X .75 PLASTITE PN HD PHIL BLK
71	HT572512	1	TAP SC NO. 10 - 24 X .50 PN HD PHIL
74	HX622815	1	SHCS .250-20 X .75 SS
79	600AK012	2	KIT LINKAGE CAP
80	YA000201	1	ADH THRD LKR REM .02 OZ 242
82	YG000007	1	NLA: GREASE TRANS LUBRIPLATE 1200-2

525AT Wireless Audio Option



Ref #	Part Number	Qty	Description
1	770A-390	1	MODULE, RF 900 MHZ FM US
2	AW-23501	1	CABLE,CAT5E 18in
3	525AT-311	1	CABLE, HEADPHONE JACK JMPR
4	525AT-391	1	DECAL, HEADPHONE JACK, 525 ACR

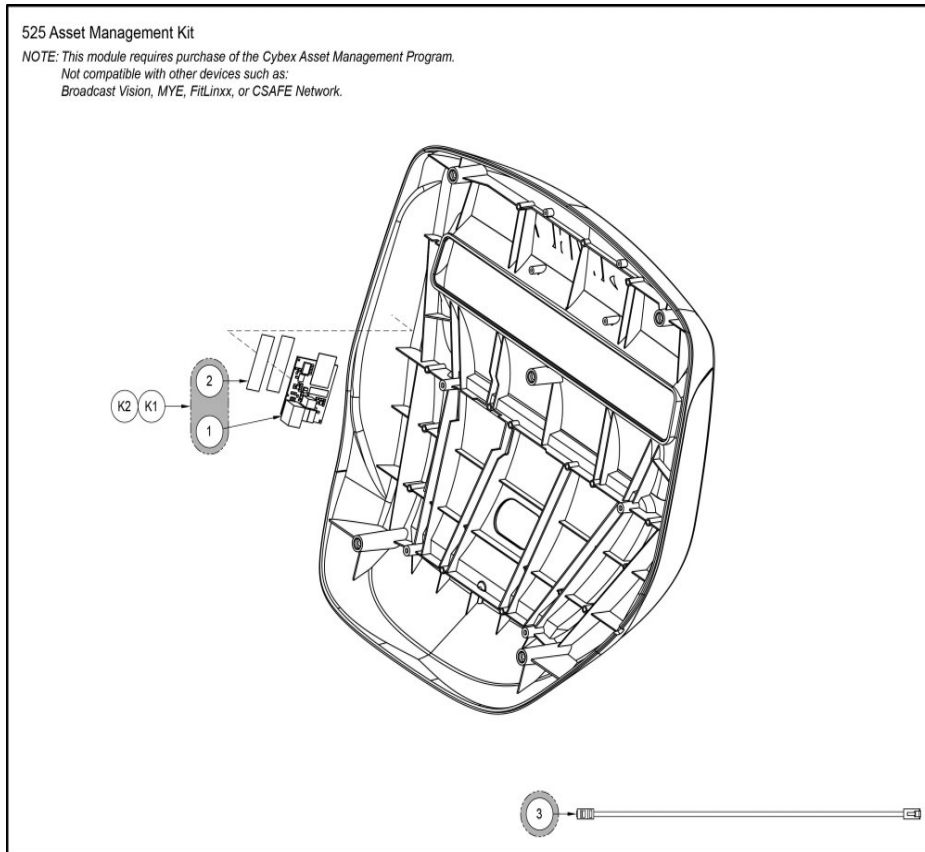
525 Arc Drive Frame Detail



Ref #	Part Number	Qty	Description
E1	525AT-343	2	BELT, PRIMARY DRIVE, 12 RIB
E3	525AT-344	2	BELT, SECONDARY DRIVE, 6 RIB
E4	771A-110	1	DOUBLE PULLEY ASSY
D4	DE-17155	1	NLA: LABEL,WARNING HOT FLYWHEEL
E5	600AK002	1	KIT PULLEY CRANK SHAFT
E6	771A-205	1	W DRIVE FRAME Custom
E8	1009604-0001	1	ASSEMBLY: LOWER CONTROL BOARD, AC ARC
E10	MR-23557	1	BRAKE, EDDY CURRENT (600W) 525A
13	525AT-101	1	DRIVE FRAME ASSEMBLY
E14	HC661240	2	HX HD CAP SC .312-18 X 3.75
E15	HC701220	4	BOLT,3-8-16X1.25.HXHD
E16	HC702815	4	SHCS .375-16 X .750
E17	HF579000	2	PANEL FASTENER 10-24 U TYPE
E19	HS327600	2	WASHER SAE .312
E21	HS347600	4	WASHER SAE .375
E24	HX-17050	2	BUSHING,1.275IDX1.87 OD,NYLON INSULATED
E35	YA000023	1	LOCTITE PERM 262 PN 26231
E37	DE-17019	1	DISC,SPEED SENSOR
E42	525AT-396	1	BRACKET, POWER CORD RETAINING
E43	771A-319	1	MODULE, IEC 320 C14, SWITCHED
E44	AW-23953	1	CABLE,POWER 525A
E45	CM000237	1	DECAL SAFETY GROUND

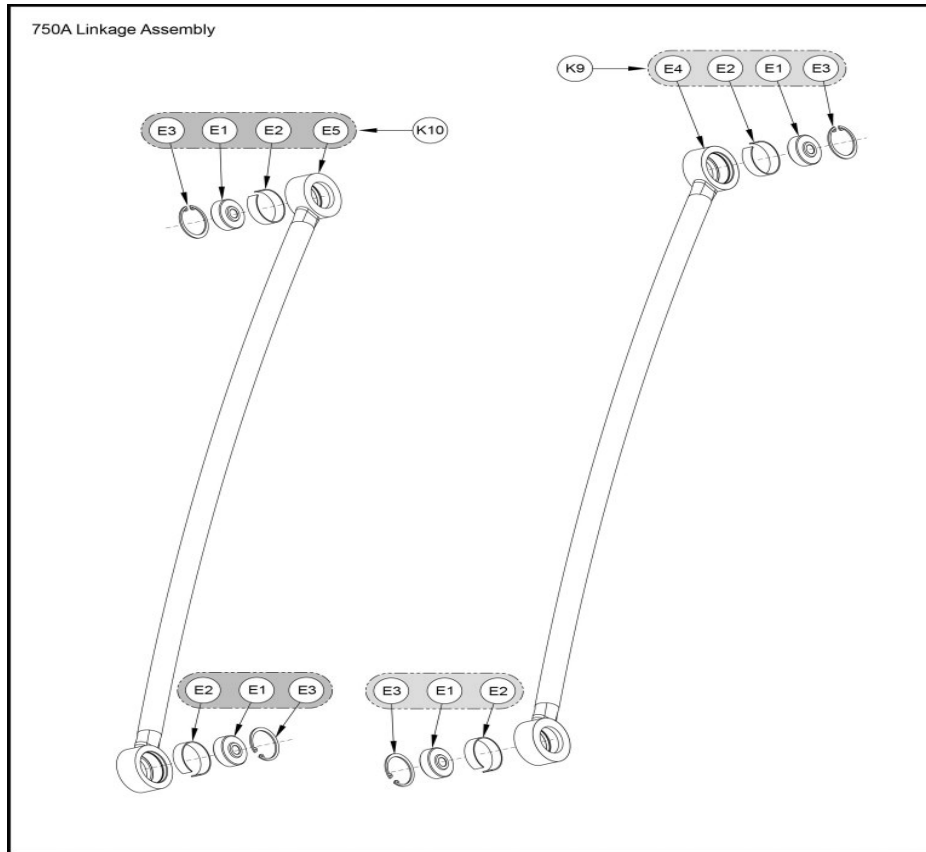
Ref #	Part Number	Qty	Description
E46	EW600003	1	CABLE OPTO SENSOR ARMORED
E47	HM522514	1	PN HD PHIL SC NO 4-40 X .62
E48	HN704001	1	LOCKNUT, .375-16 SERRATED HEX
E49	HS047600	1	WASHER SAE .112 NO 4
E50	HS048300	1	LOCKWASHER SPLIT .112-NO 4
E52	525AT-333	1	CABLE, INLET GND
E53	JH581512	1	SCREW, HEX WASHER HEAD 10-32 X .50 TAPTITE GREEN GROUND
E54	20000-560	1	BUMPER
62	HS328300	1	LOCKWASHER SPLIT .312
64	HS347700	2	WASHER USS .375
71	HT572512	4	TAP SC NO. 10 - 24 X .50 PN HD PHIL

525 Asset Management Kit



Ref #	Part Number	Qty	Description
1	OAD-25138V	1	PCA, ELECT IMP AWN SLDR MOD, EU
K1	KU-25238	1	UPGRADE KIT,AWM,IMP, 525 625 7
1	OAD-25136V	1	PCA, ELECT IMP AWN SLDR MOD, US
2	OHX-25109	2	TAPE, DBL SIDED, VHB, 1.0X.25X.120THK
K2	KU-25239	1	UPGRADE KIT,AWM,IMP, 525 625 7
3	770A-411	1	CABLE, CATSE, 18

750A Linkage Assembly



Ref #	Part Number	Qty	Description
E1	FB030244	2	BEARING, .50IDX1.688OD,RADIAL BALL,SELF ALIGN
E2	FC030004	4	TOLERANCE RING 42MM ID
E3	HX-17143	2	RING RETAINING,INT,5000-168
E4,K9	750AK006	2	KIT, LINKAGE ROD LEFT
E5,K10	750AK007	2	KIT, LINKAGE ROD RIGHT

