

# 525T Treadmill

525T-E3-04

## Parts Manual

1/5/2019 4:43:33 AM



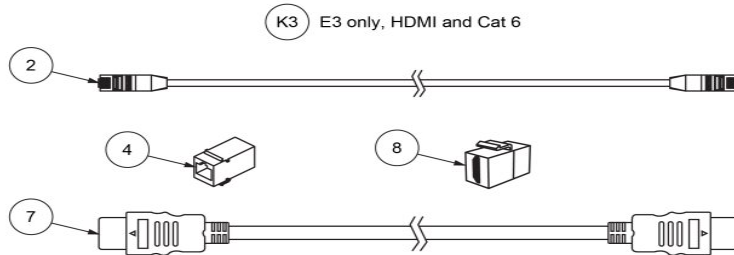
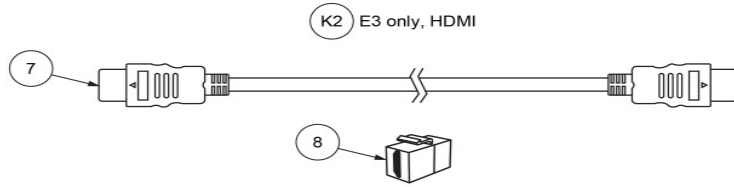
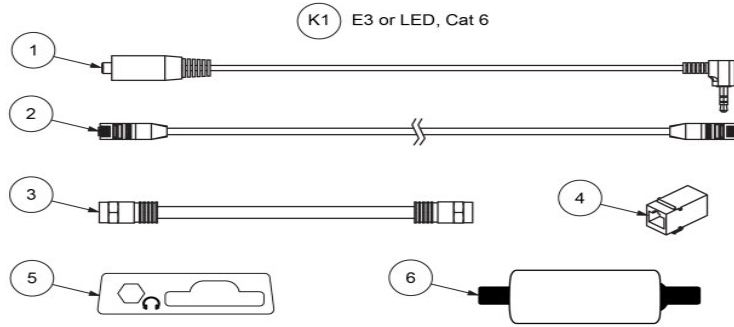
**Table of Contents**

---

<a href="#">STB upgrade kit 525T.....</a>	<a href="#">3</a>
<a href="#">525T E3 View iPod Option.....</a>	<a href="#">4</a>
<a href="#">525T E3 View Belt, Deck, and Rollers.....</a>	<a href="#">5</a>
<a href="#">525T E3 View Console Cables.....</a>	<a href="#">7</a>
<a href="#">525T E3 View Frame Assembly.....</a>	<a href="#">8</a>
<a href="#">525T E3 View Hardware Manual and Power Cords.....</a>	<a href="#">10</a>
<a href="#">525T E3 View Monitor Option.....</a>	<a href="#">11</a>
<a href="#">525T E3 View Motors and Lower Electronics (After J0813).....</a>	<a href="#">13</a>
<a href="#">525 Asset Management Kit After J10.....</a>	<a href="#">15</a>
<a href="#">625T 770T Service Wheel.....</a>	<a href="#">16</a>

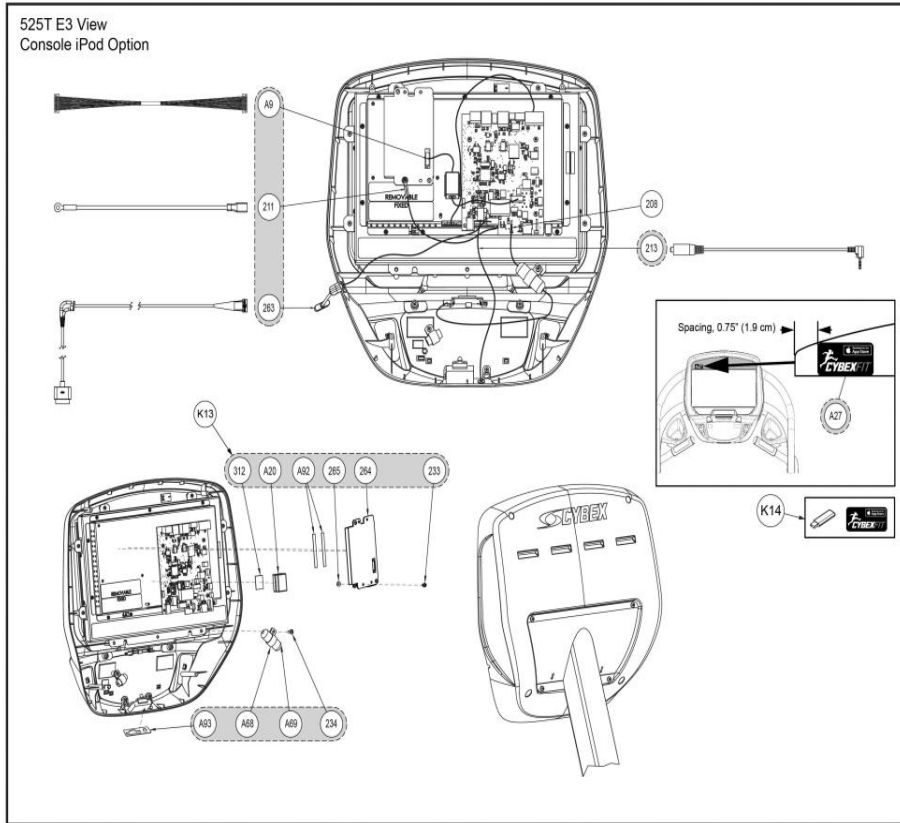
# STB upgrade kit 525T

525T Treadmill, Set Top Box Kit



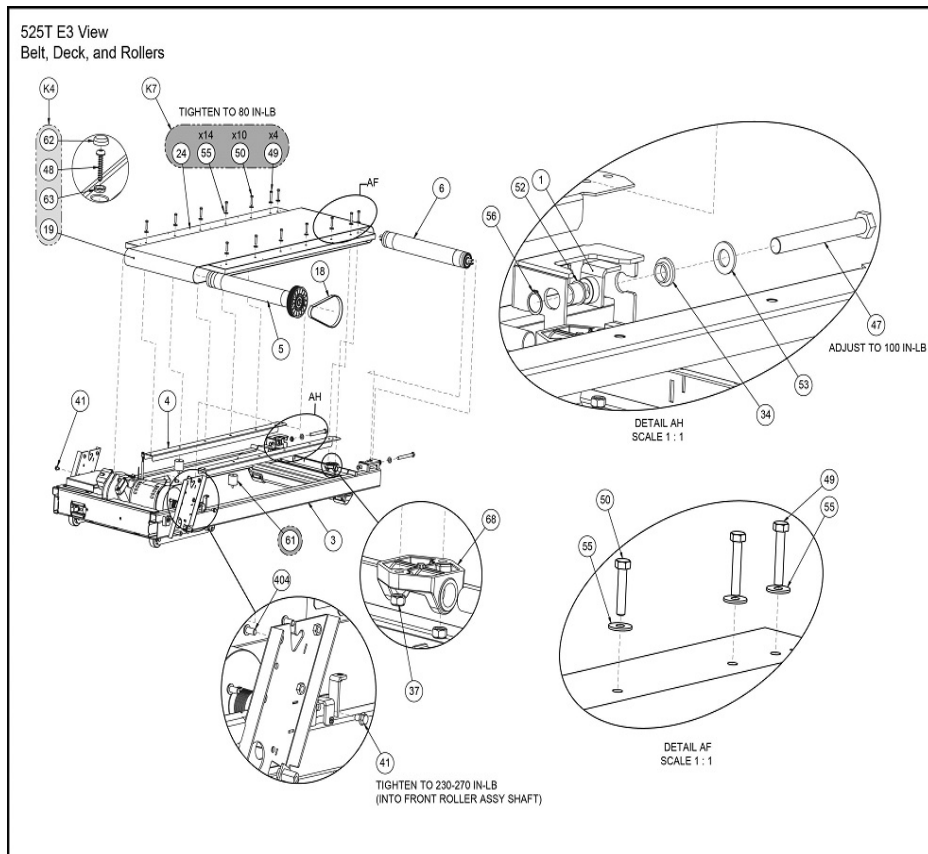
Ref #	Part Number	Qty	Description
1	525AT-311	1	CABLE, HEADPHONE JACK JMPR
K1	PKAW-25938	1	UPGRADE KIT, 525T E3 or LED CAT6
2	AW-24865	1	CABLE,CAT6 SHIELDED,2.5M(98.4I
K2	PKAW-25941	1	UPGRADE KIT, TREAD, EPDM HDMI
3	AW-25319	1	CABLE,6",RG6,750 OHM,BLACK,M-M
K3	PKAW-25943	1	UPGRADE KIT, TREAD, EPDM HDMI CAT6
4	CN-24895	1	COUPLER,CAT6 SHIELDED RJ45 8 C
5	DE-23639	1	DECAL,ESTOP-HEADPHONE JACK,525
6	EC-25318	1	ISOLATOR,COAX,GRND LOOP,5-860M
7	AW-25819	1	CABLE, HDMI 8' HIGH SPEED M-M
8	CN-25816	1	COUPLER, HDMI KEYSTONE

# 525T E3 View iPod Option



Ref #	Part Number	Qty	Description
A9	770A-363	1	CABLE, 770T 670 GFX BOARD TO MCC
K13	PKCP-24885	1	KIT,APPLE UPGRADE,525TCR
K14	PKCP-24966	1	KIT,CYBEX FIT DECAL
A20	750A-396	1	Ferrite Clamp-on .40 ID
A27	DE-24397	1	DECAL,CYBEX FIT
A68	HX-24312	1	CLIP,CABLE CLAMP,3-4"DIA
A69	770A-410	1	FERRITE, 407 OHMS
A92	525AT-408	2	TAPE, DBL SIDED, VHB, .25 X 2.5
A93	DE-23639	1	DECAL,ESTOP-HEADPHONE JACK,525
208	770A-361	1	CABLE, ARC HRBOARD TO MCC
211	770A-412	1	CABLE, EPDM CHASSIS GROUND
213	525AT-311	1	CABLE, HEADPHONE JACK JMPR
233	HS-14391	1	SCREW SEMS,6-32X.38 PNHD PHIL
234	HS-15706	1	SCREW,8-16X.50,PNHD,STL,BLK ZN CLR,TYP WB
263	OAW-23863V	1	CABLE, IPOD, 525, PURCHASED
264	AX-24137	1	ASSY,iPOD PCA,525 625
265	HN-10705	1	KEPS 6-32 HEX STL ZINC
312	HX-17788	1	TAPE,DBL SIDED, .032THK

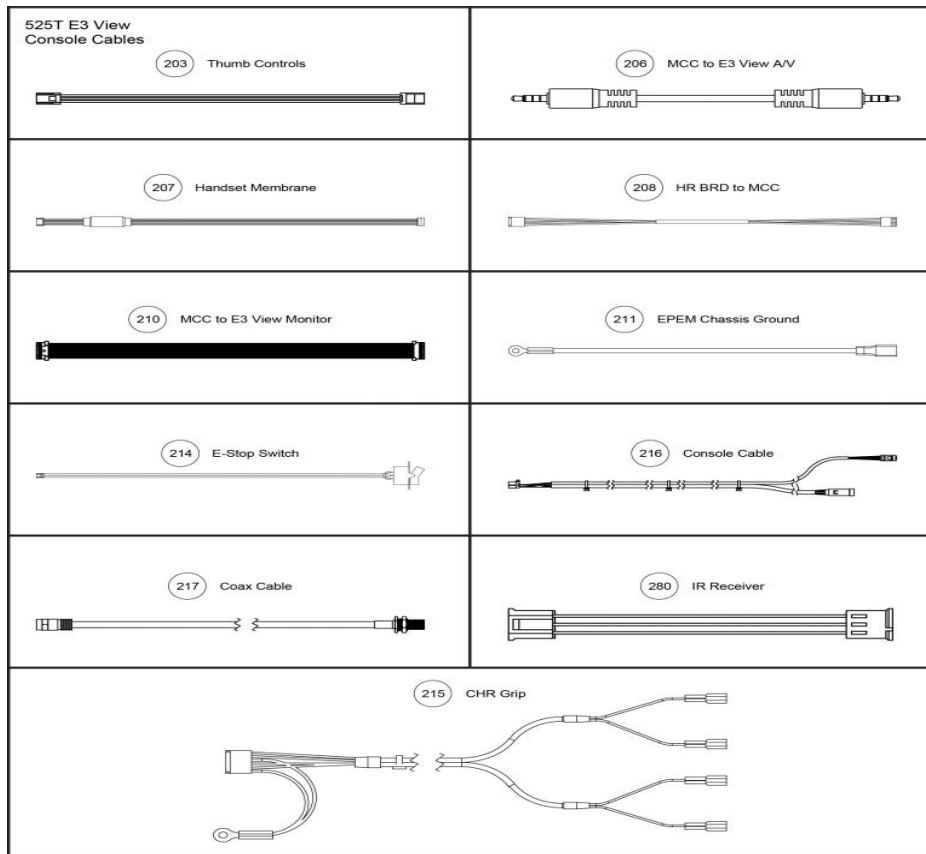
# 525T E3 View Belt, Deck, and Rollers



Ref #	Part Number	Qty	Description
1	AF-19988	1	NUT,ROLLER,REAR FRONT,7XXT
3	AF-23562	1	WELDMENT,FRAME,525T Custom
K4	KBD-24315	1	KIT,RUNNING BELT,W-HRDW 525T
4	AF-23685	2	STIFFENER,DECK,525T
5	AL-23586	1	ASSY,FRONT ROLLER
6	AL-23587	1	ASSY,REAR ROLLER
K7	KDK-24316	1	KIT,RUNNING DECK W-DECK BUMPER
18	BD-22464	1	BELT,DRIVE,POLY-V8 RIB AC MOTO
19	BD-24388	1	BELT,RUNNING,20X59.75,FULL COM
24	DK-23584	1	DECK,RUNNING,SYNTHETIC,525T
34	HB-16367	1	BUSHING .50IDX.62ODX.31LG,FLAN
37	HN-24083	2	NUT,5-16-18,ESNA,STL,ZINC
41	HS-16929	2	BOLT WHIZ LCK,3-8-16X.625,HXHD
47	HS-23687	1	BOLT TAP,1-2-13X5,HXHD,G5,BLK
48	HS-23811	14	SCREW,SHT MTL,TYPE A,#10X1.25"
49	HS-23839	4	BOLT,5-16-18 X1.75,HXHD,STL,BL
50	HS-24081	10	BOLT,5-16X1.50,HXHD,STL, ZN,GR
52	HW-00590	1	BUSHING,NYLON,1-2 in
53	HW-10028	1	WSHR B 1-2 NARROW ZINC
55	HW-24082	17	WSHR,PLAIN,5-16X .88 X .075,STL,ZN
56	HX-13771	1	RING,RETAIN,5-8" .579 FR.ID
61	HX-23588	2	BUMPER CYLINDRICAL 2in OD X 1.

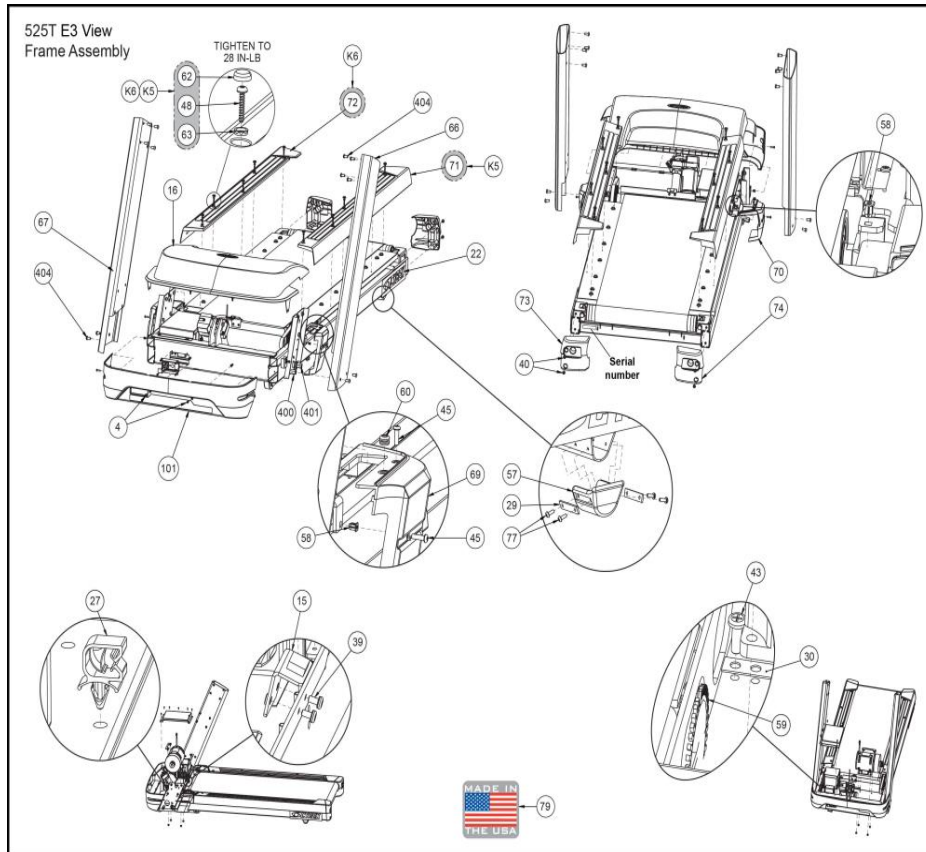
<b>Ref #</b>	<b>Part Number</b>	<b>Qty</b>	<b>Description</b>
62	HX-23857	14	COVER,SCREW,#8,#10
63	HX-23858	14	COVER,SCREW,BASE,#10
68	PL-23589	1	PIVOT, IS3, MOLDED
404	HS-22651	1	BOLT,3-8-16-.75 BHCS,ZN

# 525T E3 View Console Cables



Ref #	Part Number	Qty	Description
203	770A-365	1	CABLE, THUMB CONTROLS
206	770A-355	1	CABLE, 770ACR, TO PEM AV
207	770A-364	1	CABLE, HANDSET MEMBRANE, ARC
208	770A-361	1	CABLE, ARC HRBOARD TO MCC
210	770A-356	1	CABLE, 770ACR, MMC TO PEM AV
211	770A-412	1	CABLE, EPEM CHASSIS GROUND
214	AW-23866	1	CABLE, 525T E-STOP SWITCH
215	AW-23884	1	CABLE, 525T CHR GRIP
216	AW-23886	1	CABLE, CONSOLE 525T, EPEM
217	AW-23926	1	CABLE, COAX, 525T
280	AW-23466	1	CABLE, EPEM PDI IR RECEIVER

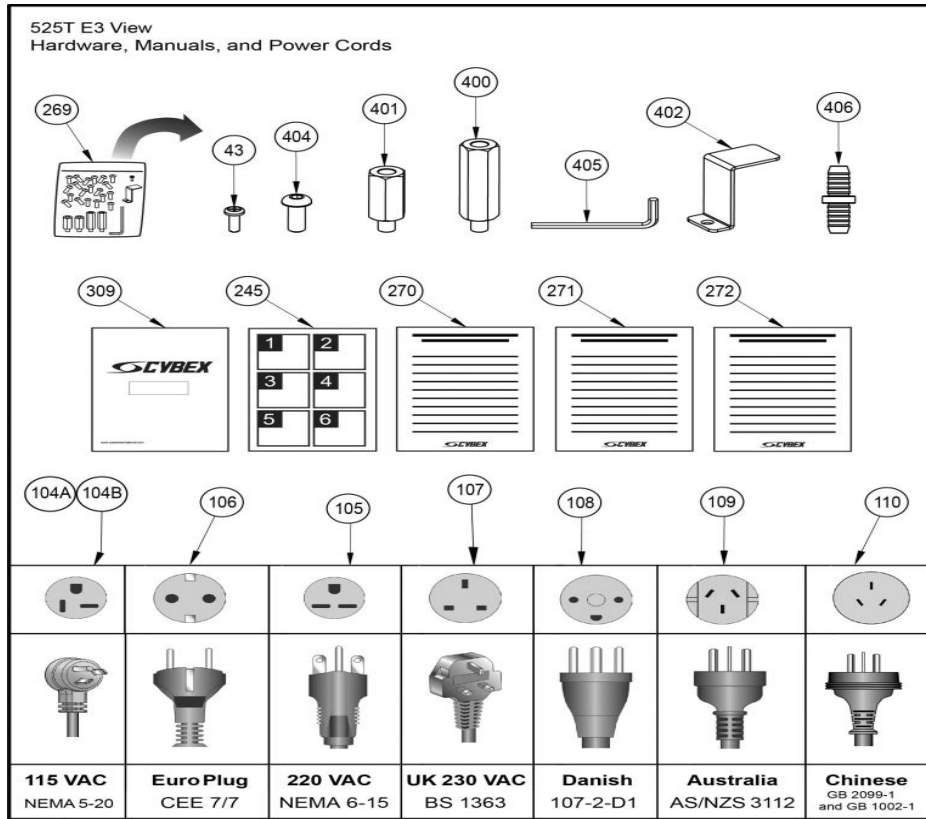
# 525T E3 View Frame Assembly



Ref #	Part Number	Qty	Description
4	AF-23685	2	STIFFENER,DECK,525T
K5	KPL-24317	1	KIT,COVER, TOP STEP,LEFT,525T
K6	KPL-24318	1	KIT,COVER, TOP STEP,RIGHT,525T
15	AX-22869	2	ASSY,MOTOR COVER SUPPORT
16	AX-22880	1	KIT,HOOD COVER,UPPER
22	DE-19360	1	DECAL,CYBEX,BLACK
27	EH-20254	1	CLIP,WIRE RETAINER,.24-.47"DIA
29	FS-16511	4	PLATE,REAR RUBBER FOOT MNT
30	FS-23041	1	GROUND STRAP,CONTROLLER
39	HS-11976	4	SCREW SEMS,10-32X.38,EXT,ZN
40	HS-16875	4	BOLT SEMS,1-4-20X.5,PNHD PHIL,
43	HS-21672	1	SCREW 8-32-1/2in TT TRILOBULAR
45	HS-22816	20	SCREW,10-14 X .75,PLASTITE,STL
48	HS-23811	10	SCREW,SHT MTL,TYPE A,#10X1.25"
57	HX-16510	2	FOOT,RUBBER,REAR
58	HX-20360	2	INSERT,EXPANSION,PLASTIC,#8-#1
59	HX-22832	1	GROMMET,MOLDED,CUT TO LENGTH 5
60	HX-22879	10	GROMMET,7-32IDX17-32ODX25-64THK
62	HX-23857	10	COVER,SCREW,#8,#10
63	HX-23858	10	COVER,SCREW,BASE,#10
66	PC-23590	1	UPRIGHT,EXTRUSION LEFT,PLATINUM SPARKLE
67	PC-23591	1	UPRIGHT,EXTRUSION RIGHT,PLATINUM SPARKLE

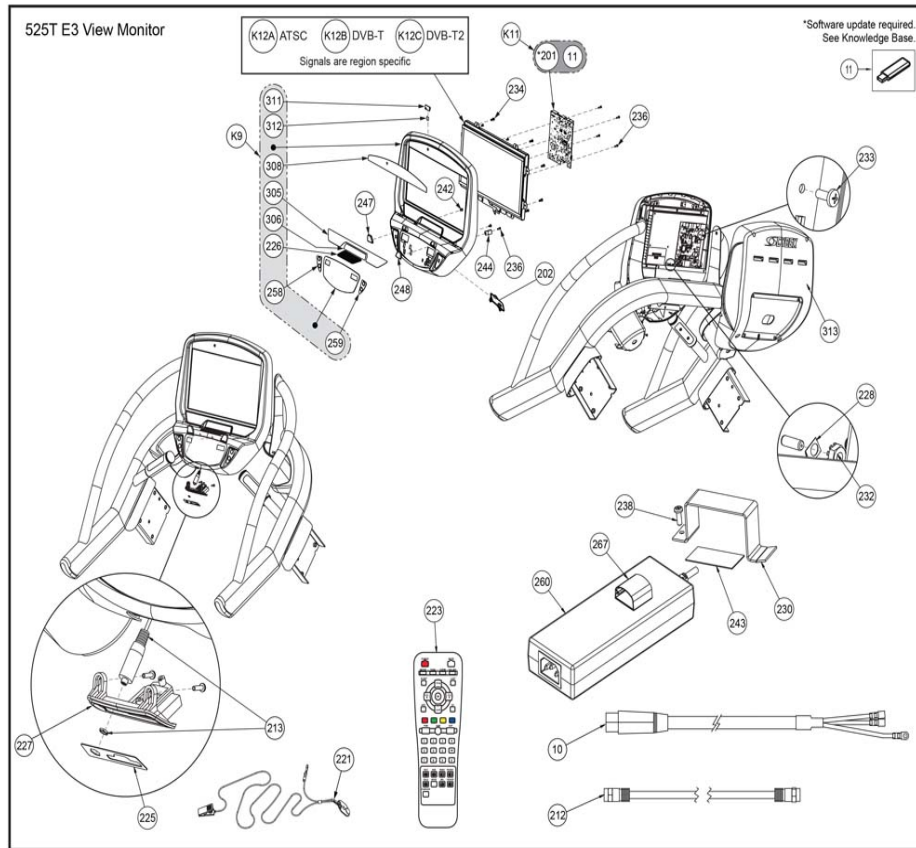
Ref #	Part Number	Qty	Description
69	PL-23705	1	MOTOR COVER SUPPORT,LEFT,525T
70	PL-23706	2	MOTOR COVER SUPPORT,RIGHT,525T
71	PL-23707	1	TOP STEP,LEFT,525T
72	PL-23708	1	TOP STEP,RIGHT,525T
73	PL-23709	2	END CAP,LEFT,525T
74	PL-23710	1	END CAP,RIGHT,525T
77	HS-16509	8	SCREW SLFTP,10X.5,PNHD,PLT,TYP
79	11040-790	2	NLA: DECAL, MADE IN THE USA
101	AX-23086	1	ASSY,220V MOTOR COVER,LOWER
101	AX-23042	1	ASSY,115V MOTOR COVER,LOWER
400	AX-23656	1	STANDOFF,M-F,3-8-16 THREAD,1.9
401	AX-23657	1	STANDOFF,M-F,3-8-16 THREAD,1.0
404	HS-22651	16	BOLT,3-8-16-.75 BHCS,ZN

# 525T E3 View Hardware Manual and Power Cords



Ref #	Part Number	Qty	Description
43	HS-21672	1	SCREW 8-32-1/2in TT TRILOBULAR
104A	AW-20280	1	POWER CORD,115V,20A,60HZ
104B	AW-24574	1	POWER CORD,115V 20A 60Hz,6FT
105	AW-20281	1	POWER CORD,220V 15A,60HZ
106	AW-20282	1	POWER CORD,230V,16A,50HZ
107	AW-20283	1	POWER CORD,UK,230V,13A,50HZ
108	AW-22228	1	POWER CORD,13A,250V IEC 60320,
109	AW-24059	1	POWERCORD,250V 15A AUS/NZ
110	AW-25664	1	POWER CORD,16A/250V,2.5m,CHINE
245	LT-24020	1	POSTER,ASSY,525T
269	AX-23655	16	KIT,INSTALL,HARDWARE,525T
270	LT-24019	1	
271	LT-24289	1	
272	LT-24290	1	
309	LT-24018	1	Owner Manual 525T
400	AX-23656	2	STANDOFF,M-F,3-8-16 THREAD,1.9
401	AX-23657	2	STANDOFF,M-F,3-8-16 THREAD,1.0
402	FS-23071	1	BRACKET,POWER CORD RETAINING
404	HS-22651	4	BOLT,3-8-16-.75 BHCS,ZN
405	HX-00440	1	HEX KEY 7-32IN.
406	HX-21519	1	PIN,PLASTIC RETAINIER

# 525T E3 View Monitor Option



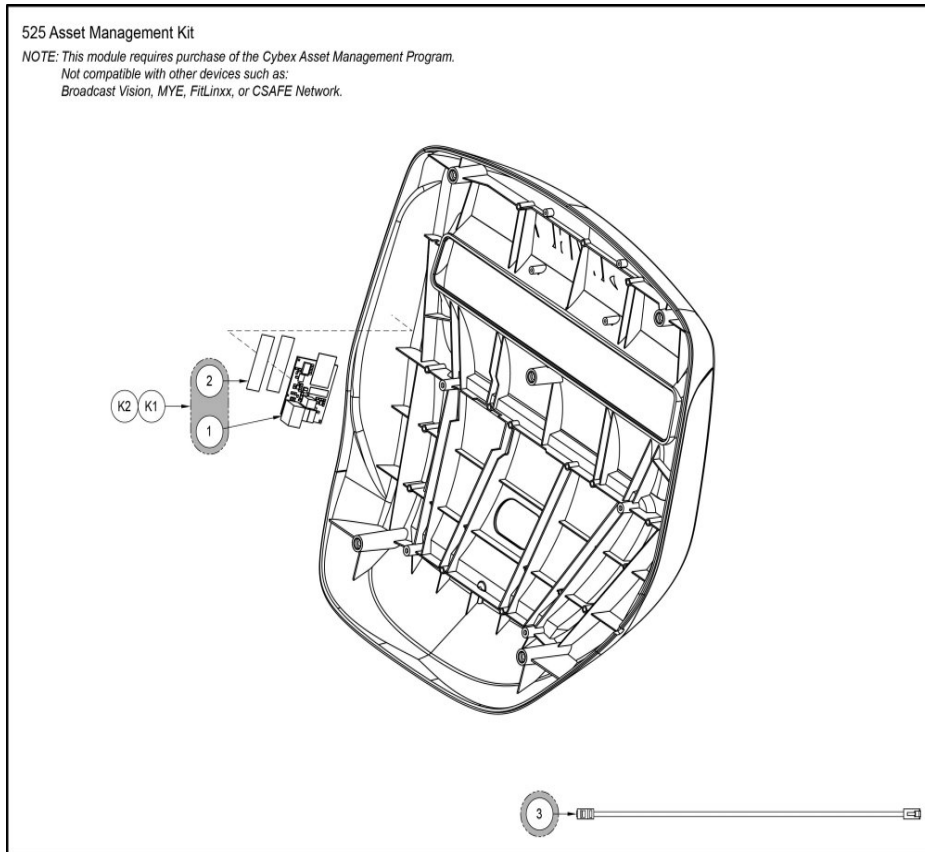
Ref #	Part Number	Qty	Description
K9	KPL-24323	1	Kit 525T EPDM Bzl w/dec
10	AW-22690	1	CORD,AUX POWER SUPPLY,C5 250V
K10	CP-23199	1	USB 2.0 FLASH DRIVE,BLANK CDW 424820 for kit PKCP-23201
K11	PKAD-24628	1	KIT,MCC REPLACEMENT 525T
K12A	PKRA-22564	1	NC KIT,E3 REFURBISHED ATSC (use PKCP-22564)
K12C	CP-25454	1	PEM,OPEN FRAME,DVBT2
K12A	PKCP-22564	1	R&R NC KIT,e3 Replacement ATSC
K12B	PKCP-22565	1	KIT,e3 Replacement DVBT
K12B	PKRA-22565	1	NC KIT,E3 REFURBISHED DVBT
K12C	PKCP-25810	1	KIT,E3 Replacement DVBT2
201	AD-23677	1	NC R&R PCA,MCC PROG,AV,525T
202	770A-379	1	SENSOR, HEART RATE COMBO
212	AW-23836	1	CABLE,6' COAX F-TYPE M-M
213	525AT-311	1	CABLE, HEADPHONE JACK JMPR
218	770A-397	1	GRIP, CHR, TOP
219	770A-398	1	GRIP, CHR, BOTTOM
221	AX-24103	1	ASSY,LANYARD,ESTOP KEY
223	625A-335	1	REMOTE, EPDM, PDI
225	DE-23639	1	DECAL,ESTOP-HEADPHONE JACK,525
226	525AT-399	1	DECAL, IPOD TRAY
227	525AT-322	1	E-STOP HOUSING, 525

Ref #	Part Number	Qty	Description
228	ET-17165	1	TAB,FASTON, .250 SERIES
230	FS-21372	1	STRAP,AV PW SUPPLY,750C
232	HN-11879	1	KEPS 8-32 HEX STL ZINC
233	HS-14391	1	SCREW SEMS,6-32X.38 PNHD PHIL
234	HS-15706	4	SCREW,8-16X.50,PNHD,STL,BLK ZN CLR,TYP WB
236	HS-18320	6	SCREW,6-19X1-2 in,PNHD PHIL,ZN
237	HS-20306	1	SCREW,6-20X1.12 PNHD PHIL TYPE
238	HS-21672	1	SCREW 8-32-1/2in TT TRILOBULAR
242	HS-41187	2	SCREW SLFTP,8-16X.3125,PLASTITE
243	HX-21603	1	TAPE, DBL SIDED, 1 X 2 X .032
244	HX-23491	1	CLIP,CABLE CLAMP,9-16in DIA,NY
246	PL-20230	2	END CAP,CONTACT GRIP
247	770A-328	1	BACK TAB, SMALL CONSOLE, LEFT
248	770A-329	1	BACK TAB, SMALL CONSOLE, RIGHT
258	770A-386	1	THUMB SWITCH, LEFT, INCLINE
259	SW-24136	1	SWITCH,THUMB CONTROL,RIGHT,SPE
260	TR-25809	1	Power Supply
267	HX-14416	1	CLIP,WIRE LATCHING,1X1
305	DE-23636	1	Decal Warning Main 525T
306	DE-23637	1	Decal Warning Cntr 525T
308	DE-23767	1	DECAL,UPPER DISPLAY,EPEM,525T
311	AD-23465	1	PCA,IR SENSOR,EPEM
312	HX-24477	1	TAPE,DBL SIDED,VHB, .25X 0.83
313	525AT-321	1	CONSOLE REAR, EPEM, 525



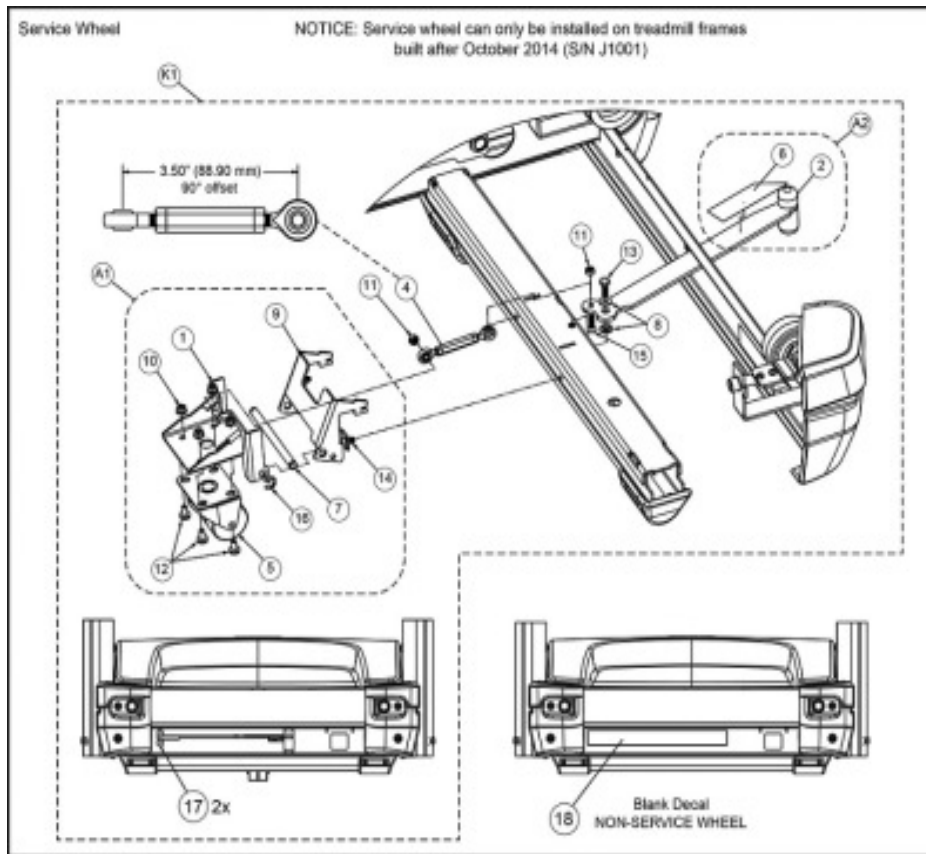
Ref #	Part Number	Qty	Description
100C	AD-23914	1	CONTROLLER,115 IP,PFC
100A	AD-22395	1	CONTROLLER,115 IN,NON PFC
102A	PKMR-24818	1	KIT,ELEVATION MOTOR 115V,525T
102B	PKMR-24819	1	Kit,Elevation Motor 220v,525T
103B	SW-19666	1	SWITCH,THERMAL CB,15AMP 240V,R
103A	SW-19667	1	SWITCH,THERMAL CB,20AMP 240V,R
110	HX-25594	4	RING RETAINING EXT,3-8 IN SHAF
111	FM-24429	1	SHAFT,ELEVATION,LOWER
402	FS-23071	1	BRACKET,POWER CORD RETAINING

## 525 Asset Management Kit After J10



Ref #	Part Number	Qty	Description
1	OAD-25136V	1	PCA, ELECT IMP AWN SLDR MOD, US
1	OAD-25138V	1	PCA, ELECT IMP AWN SLDR MOD, EU
K1	KU-25238	1	UPGRADE KIT,AWM,IMP, 525 625 7
2	OHX-25109	1	TAPE, DBL SIDED, VHB, 1.0X.25X.120THK
K2	KU-25239	1	UPGRADE KIT,AWM,IMP, 525 625 7
3	770A-411	1	CABLE, CATSE, 18

## 625T 770T Service Wheel



Ref #	Part Number	Qty	Description
K1	KAX-25516	1	KIT,SERVICE WHEEL,625T 770T
A1	AX-25575	1	ASSY,BRKT,SERVICE WHEEL 525T,6
1	AF-24996	1	WELD,BRKT WHEEL MOUNT,525T,625T,770T
2	AF-25002	1	WELD,LEVER,SERVICE WHEEL,625T 770T 790T
A2	AX-25578	1	ASSY,HANDLE,SERVICE WHEEL 625T
4	AX-24987	1	ASSY,ROD END,SERVICE WHEEL
5	CW-25006	1	CASTOR,SWIVEL,SERVICE WHEEL
6	DE-25047-4	1	DECAL,PROTECTIVE,SLIDE LEVER,E
7	FM-24997	1	PIN,BRKT,3RD WHEEL
8	FM-24999	2	SPACER,PIVOT
9	FS-24994	1	BRKT,FRAME PIVOT,SERVICE WHEEL
10	HN-12079	4	KEPS 1-4-20 HEX STL ZINC
11	HN-25189	2	NUT,NYLOCK M6X1,YELLOW ZN
12	HS-16875	4	BOLT SEMS,1-4-20X.5,PNHD PHIL,
13	HS-25017	1	BOLT,1-4X20X3-4,HXHD STL ZN GR
14	HS-25020	1	SCREW,TT,1-4X-20X1-2" PNHD PHI
15	HS-25111	1	SCREW,M6X1-22MM,FLHD,SOC CAP,S
16	HX-24689	2	RETAINING RING,3-8 SHAFT,E TYP
17	HX-25018	2	BUMPER,RUBBER,ROUND PUSH-IN
18	DE-25046	1	DECAL,REAR ROLLER GUARD

