

525T Treadmill E3 Console

525T-E3-10

Parts Manual

1/5/2019 4:43:34 AM

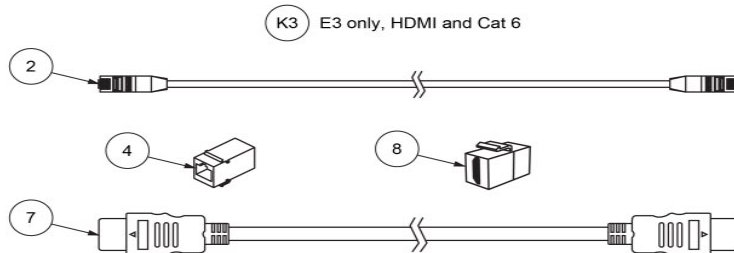
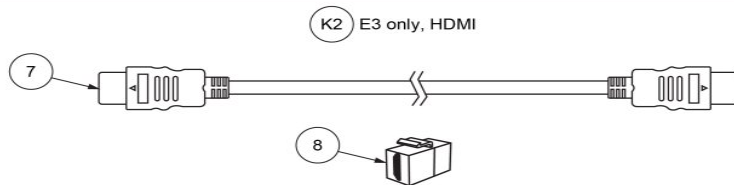
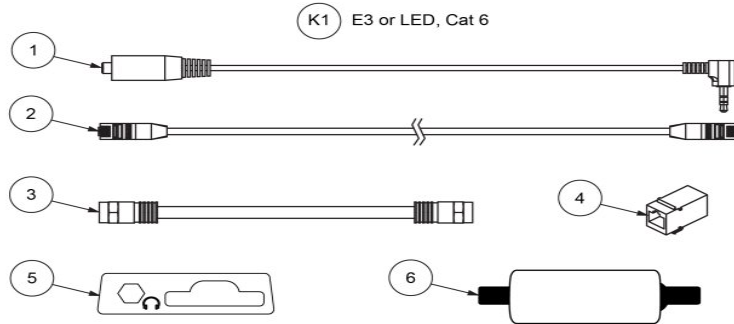


Table of Contents

STB upgrade kit 525T.....	3
525T E3 View iPod Option.....	4
525T E3 View Belt, Deck, and Rollers.....	5
525T E3 View Console Cables.....	7
525T E3 View Frame Assembly.....	8
525T E3 View Hardware Manual and Power Cords.....	10
525T E3 View Monitor Option.....	11
525T E3 View Motors and Lower Electronics (After J0813).....	13
525 Asset Management Kit After J10.....	15
625T 770T Service Wheel.....	16

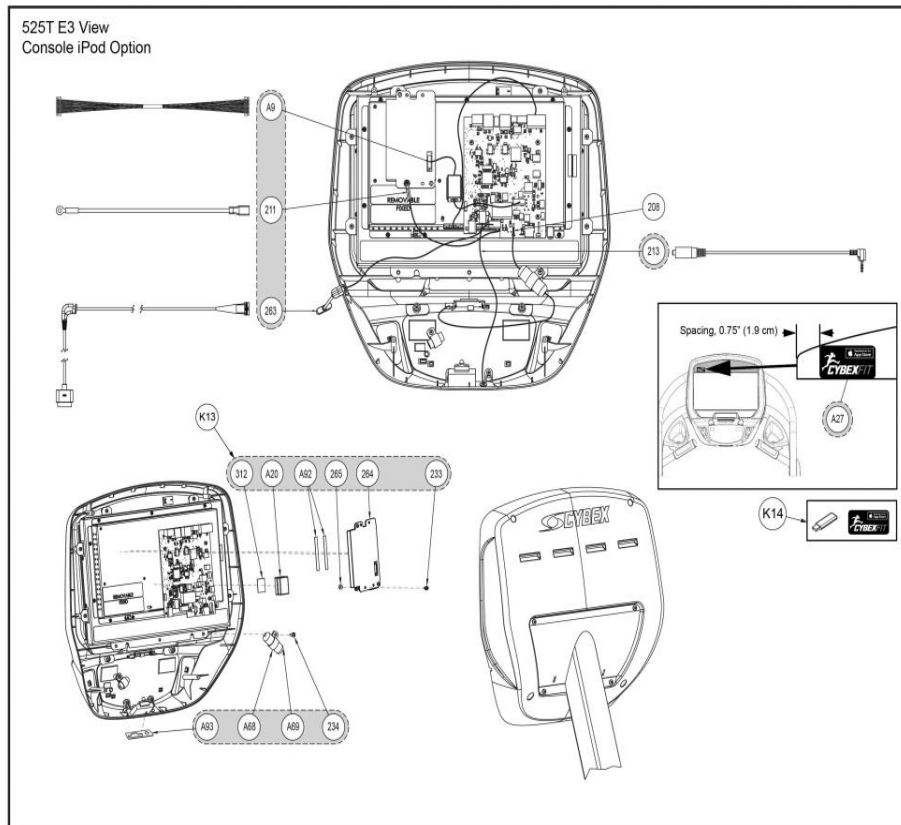
STB upgrade kit 525T

525T Treadmill, Set Top Box Kit



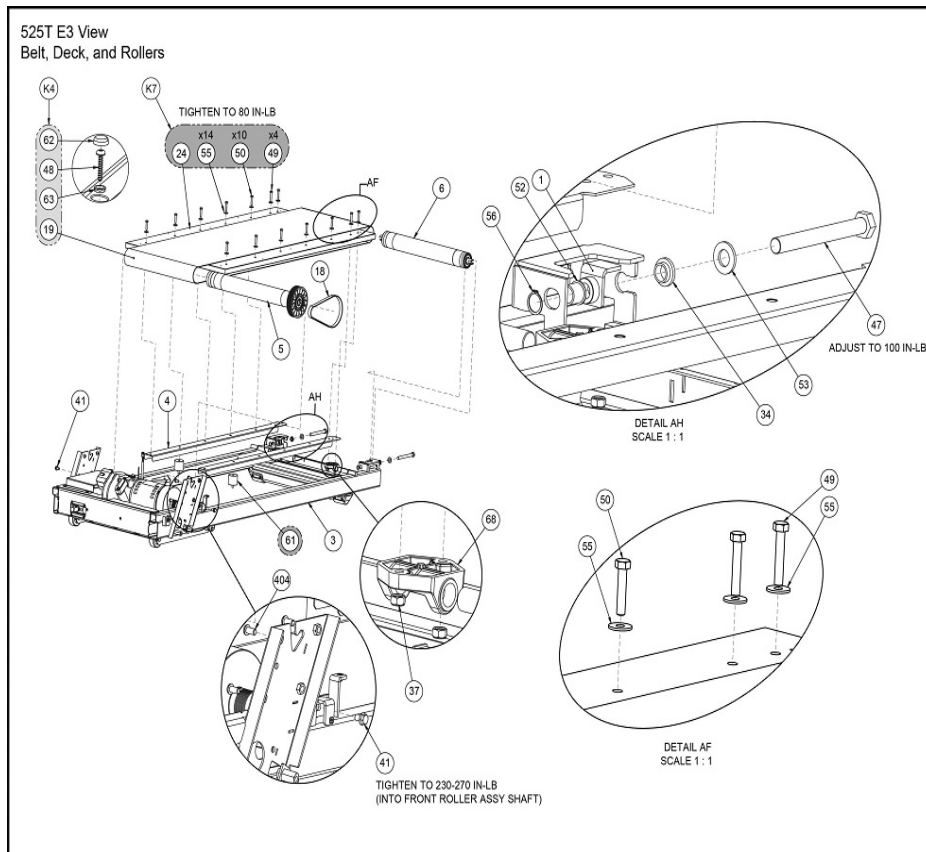
Ref #	Part Number	Qty	Description
1	525AT-311	1	CABLE, HEADPHONE JACK JMPR
K1	PKAW-25938	1	UPGRADE KIT, 525T E3 or LED CAT6
2	AW-24865	1	CABLE,CAT6 SHIELDED,2.5M(98.4I
K2	PKAW-25941	1	UPGRADE KIT, TREAD, EPEM HDMI
3	AW-25319	1	CABLE,6",RG6,750 OHM,BLACK,M-M
K3	PKAW-25943	1	UPGRADE KIT, TREAD, EPEM HDMI CAT6
4	CN-24895	1	COUPLER,CAT6 SHIELDED RJ45 8 C
5	DE-23639	1	DECAL,ESTOP-HEADPHONE JACK,525
6	EC-25318	1	ISOLATOR,COAX,GRND LOOP,5-860M
7	AW-25819	1	CABLE, HDMI 8' HIGH SPEED M-M
8	CN-25816	1	COUPLER, HDMI KEYSTONE

525T E3 View iPod Option



Ref #	Part Number	Qty	Description
A9	770A-363	1	CABLE, 770T 670 GFX BOARD TO MCC
K13	PKCP-24885	1	KIT,APPLE UPGRADE,525TCR
K14	PKCP-24966	1	KIT,CYBEX FIT DECAL
A20	750A-396	1	Ferrite Clamp-on .40 ID
A27	DE-24397	1	DECAL,CYBEX FIT
A68	HX-24312	1	CLIP,CABLE CLAMP,3-4\" DIA
A69	770A-410	1	FERRITE, 407 OHMS
A92	525AT-408	2	TAPE, DBL SIDED, VHB, .25 X 2.5
A93	DE-23639	1	DECAL,ESTOP-HEADPHONE JACK,525
208	770A-361	1	CABLE, ARC HRBOARD TO MCC
211	770A-412	1	CABLE, EPEM CHASSIS GROUND
213	525AT-311	1	CABLE, HEADPHONE JACK JMPR
233	HS-14391	1	SCREW SEMS,6-32X.38 PNHD PHIL
234	HS-15706	1	SCREW,8-16X.50,PNHD,STL,BLK ZN CLR,TYP WB
263	OAW-23863V	1	CABLE, IPOD, 525, PURCHASED
264	AX-24137	1	ASSY,iPOD PCA,525 625
265	HN-10705	1	KEPS 6-32 HEX STL ZINC
312	HX-17788	1	TAPE,DBL SIDED, .032THK

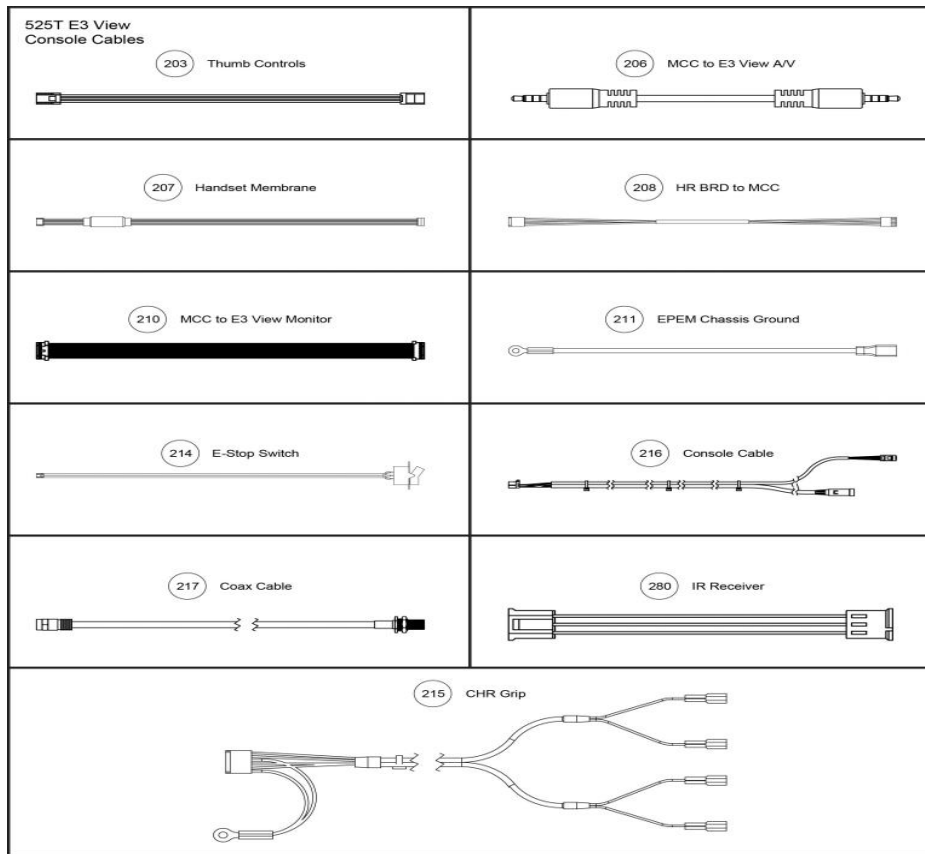
525T E3 View Belt, Deck, and Rollers



Ref #	Part Number	Qty	Description
1	AF-19988	1	NUT,ROLLER,REAR FRONT,7XXT
3	AF-23562	1	WELDMENT,FRAME,525T Custom
4	AF-23685	2	STIFFENER,DECK,525T
K4	KBD-24315	1	KIT,RUNNING BELT,W-HRDW 525T
5	AL-23586	1	ASSY,FRONT ROLLER
6	AL-23587	1	ASSY,REAR ROLLER
K7	KDK-24316	1	KIT,RUNNING DECK W-DECK BUMPER
18	BD-22464	1	BELT,DRIVE,POLY-V8 RIB AC MOTO
19	BD-24388	1	BELT,RUNNING,20X59.75,FULL COM
24	DK-23584	1	DECK,RUNNING,SYNTHETIC,525T
34	HB-16367	1	BUSHING .50IDX.62ODX.31LG,FLAN
37	HN-24083	2	NUT,5-16-18,ESNA,STL,ZINC
41	HS-16929	2	BOLT WHIZ LCK,3-8-16X.625,HXHD
47	HS-23687	1	BOLT TAP,1-2-13X5,HXHD,G5,BLK
48	HS-23811	14	SCREW,SHT MTL,TYPE A,#10X1.25"
49	HS-23839	4	BOLT,5-16-18 X1.75,HXHD,STL,BL
50	HS-24081	10	BOLT,5-16X1.50,HXHD,STL, ZN,GR
52	HW-00590	1	BUSHING,NYLON,1-2 in
53	HW-10028	1	WSHR B 1-2 NARROW ZINC
55	HW-24082	17	WSHR,PLAIN,5-16X .88 X .075,STL,ZN
56	HX-13771	1	RING,RETAIN,5-8" .579 FR.ID
61	HX-23588	2	BUMPER CYLINDRICAL 2in OD X 1.

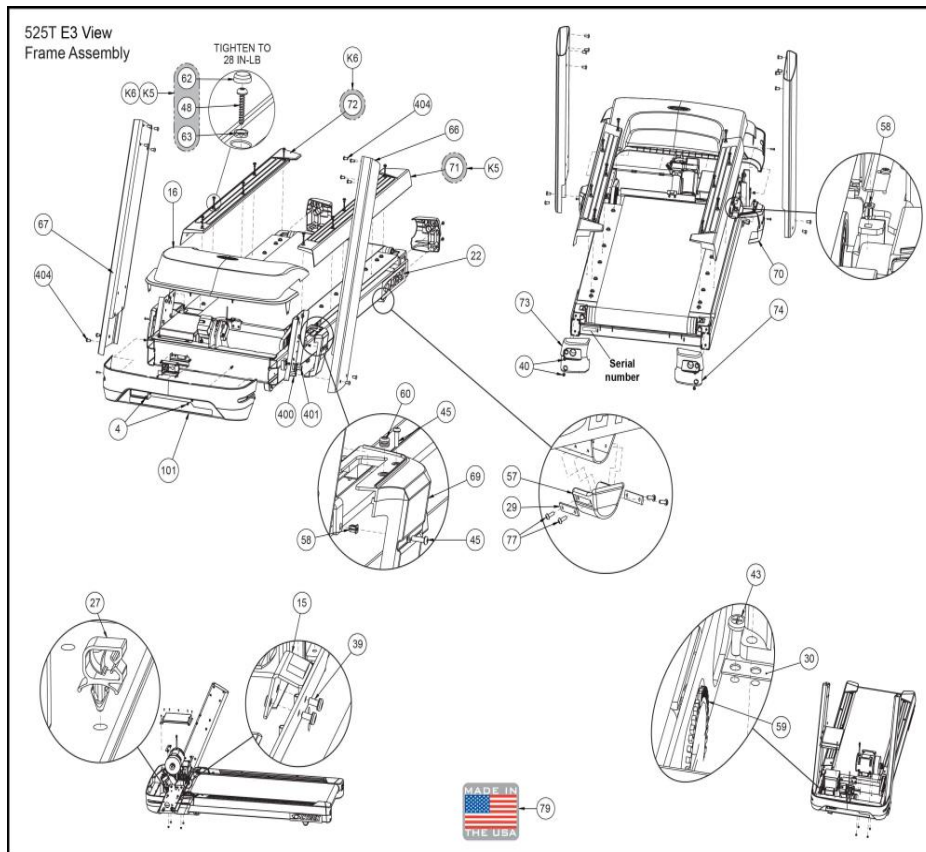
Ref #	Part Number	Qty	Description
62	HX-23857	14	COVER,SCREW,#8,#10
63	HX-23858	14	COVER,SCREW,BASE,#10
68	PL-23589	1	PIVOT, IS3, MOLDED
404	HS-22651	1	BOLT,3-8-16-.75 BHCS,ZN

525T E3 View Console Cables



Ref #	Part Number	Qty	Description
203	770A-365	1	CABLE, THUMB CONTROLS
206	770A-355	1	CABLE, 770ACR, TO PEM AV
207	770A-364	1	CABLE, HANDSET MEMBRANE, ARC
208	770A-361	1	CABLE, ARC HRBOARD TO MCC
210	770A-356	1	CABLE, 770ACR, MMC TO PEM AV
211	770A-412	1	CABLE, EPEM CHASSIS GROUND
214	AW-23866	1	CABLE, 525T E-STOP SWITCH
215	AW-23884	1	CABLE, 525T CHR GRIP
216	AW-23886	1	CABLE, CONSOLE 525T, EPEM
217	AW-23926	1	CABLE, COAX, 525T
280	AW-23466	1	CABLE, EPEM PDI IR RECEIVER

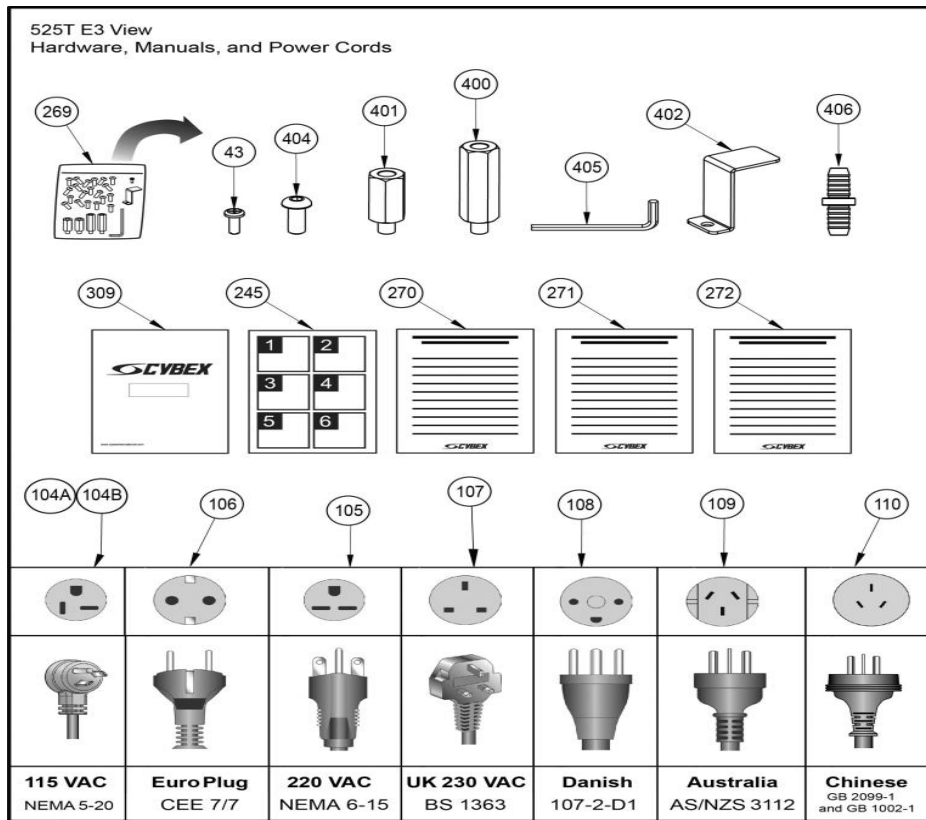
525T E3 View Frame Assembly



Ref #	Part Number	Qty	Description
4	AF-23685	2	STIFFENER,DECK,525T
K5	KPL-24317	1	KIT,COVER, TOP STEP,LEFT,525T
K6	KPL-24318	1	KIT,COVER, TOP STEP,RIGHT,525T
15	AX-22869	2	ASSY,MOTOR COVER SUPPORT
16	AX-22880	1	KIT,HOOD COVER,UPPER
22	DE-19360	1	DECAL,CYBEX,BLACK
27	EH-20254	1	CLIP,WIRE RETAINER,.24-.47"DIA
29	FS-16511	4	PLATE,REAR RUBBER FOOT MNT
30	FS-23041	1	GROUND STRAP,CONTROLLER
39	HS-11976	4	SCREW SEMS,10-32X.38,EXT,ZN
40	HS-16875	4	BOLT SEMS,1-4-20X.5,PNHD PHIL,
43	HS-21672	1	SCREW 8-32-1/2in TT TRILOBULAR
45	HS-22816	20	SCREW,10-14 X .75,PLASTITE,STL
48	HS-23811	10	SCREW,SHT MTL,TYPE A,#10X1.25"
57	HX-16510	2	FOOT,RUBBER,REAR
58	HX-20360	2	INSERT,EXPANSION,PLASTIC,#8-#1
59	HX-22832	1	GROMMET,MOLDED,CUT TO LENGTH 5
60	HX-22879	10	GROMMET,7-32IDX17-32ODX25-64THK
62	HX-23857	10	COVER,SCREW,#8,#10
63	HX-23858	10	COVER,SCREW,BASE,#10
66	PC-23590	1	UPRIGHT,EXTRUSION LEFT,PLATINUM SPARKLE
67	PC-23591	1	UPRIGHT,EXTRUSION RIGHT,PLATINUM SPARKLE

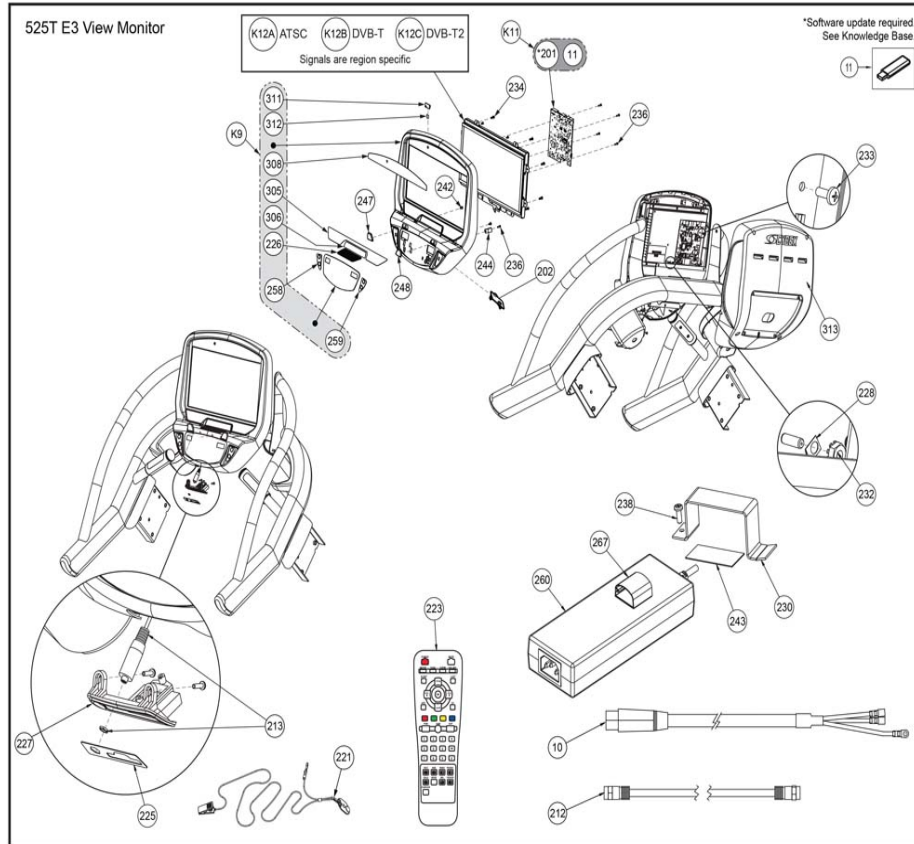
Ref #	Part Number	Qty	Description
69	PL-23705	1	MOTOR COVER SUPPORT,LEFT,525T
70	PL-23706	2	MOTOR COVER SUPPORT,RIGHT,525T
71	PL-23707	1	TOP STEP,LEFT,525T
72	PL-23708	1	TOP STEP,RIGHT,525T
73	PL-23709	2	END CAP,LEFT,525T
74	PL-23710	1	END CAP,RIGHT,525T
77	HS-16509	8	SCREW SLFTP,10X.5,PNHD,PLT,TYP
79	11040-790	2	NLA: DECAL, MADE IN THE USA
101	AX-23086	1	ASSY,220V MOTOR COVER,LOWER
101	AX-23042	1	ASSY,115V MOTOR COVER,LOWER
400	AX-23656	1	STANDOFF,M-F,3-8-16 THREAD,1.9
401	AX-23657	1	STANDOFF,M-F,3-8-16 THREAD,1.0
404	HS-22651	16	BOLT,3-8-16-.75 BHCS,ZN

525T E3 View Hardware Manual and Power Cords



Ref #	Part Number	Qty	Description
43	HS-21672	1	SCREW 8-32-1/2in TT TRILOBULAR
104B	AW-24574	1	POWER CORD,115V 20A 60Hz,6FT
104A	AW-20280	1	POWER CORD,115V,20A,60HZ
105	AW-20281	1	POWER CORD,220V 15A,60HZ
106	AW-20282	1	POWER CORD,230V,16A,50HZ
107	AW-20283	1	POWER CORD,UK,230V,13A,50HZ
108	AW-22228	1	POWER CORD,13A,250V IEC 60320,
109	AW-24059	1	POWERCORD,250V 15A AUS/NZ
110	AW-25664	1	POWER CORD,16A/250V,2.5m,CHINE
245	LT-24020	1	POSTER,ASSY,525T
269	AX-23655	16	KIT,INSTALL,HARDWARE,525T
270	LT-24019	1	
271	LT-24289	1	
272	LT-24290	1	
309	LT-24018	1	Owner Manual 525T
400	AX-23656	2	STANDOFF,M-F,3-8-16 THREAD,1.9
401	AX-23657	2	STANDOFF,M-F,3-8-16 THREAD,1.0
402	FS-23071	1	BRACKET,POWER CORD RETAINING
404	HS-22651	4	BOLT,3-8-16-.75 BHCS,ZN
405	HX-00440	1	HEX KEY 7-32IN.
406	HX-21519	1	PIN,PLASTIC RETAINIER

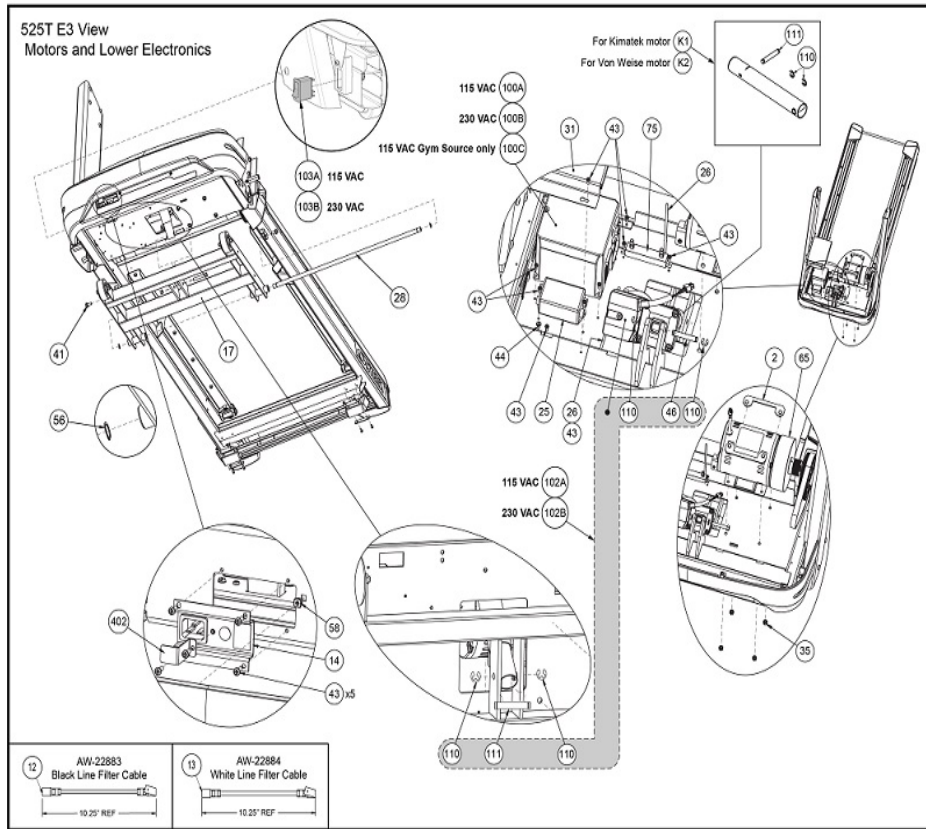
525T E3 View Monitor Option



Ref #	Part Number	Qty	Description
K9	KPL-24323	1	Kit 525T EPEM Bzl w/dec
			USB 2.0 FLASH DRIVE,BLANK CDW 424820 for kit
K10	CP-23199	1	PKCP-23201
10	AW-22690	1	CORD,AUX POWER SUPPLY,C5 250V
K11	PKAD-24628	1	KIT,MCC REPLACEMENT 525T
K12C	PKCP-25810	1	KIT,E3 Replacement DVBT2
K12C	CP-25454	1	PEM,OPEN FRAME,DVBT2
K12A	PKCP-22564	1	R&R NC KIT,e3 Replacement ATSC
K12B	PKCP-22565	1	KIT,e3 Replacement DVBT
K12A	PKRA-22564	1	NC KIT,E3 REFURBISHED ATSC (use PKCP-22564)
K12B	PKRA-22565	1	NC KIT,E3 REFURBISHED DVBT
201	AD-23677	1	NC R&R PCA,MCC PROG,AV,525T
202	770A-379	1	SENSOR, HEART RATE COMBO
212	AW-23836	1	CABLE,6' COAX F-TYPE M-M
213	525AT-311	1	CABLE, HEADPHONE JACK JMPR
218	770A-397	1	GRIP, CHR, TOP
219	770A-398	1	GRIP, CHR, BOTTOM
221	AX-24103	1	ASSY,LANYARD,ESTOP KEY
223	625A-335	1	REMOTE, EPEM, PDI
225	DE-23639	1	DECAL,ESTOP-HEADPHONE JACK,525
226	525AT-399	1	DECAL, IPOD TRAY
227	525AT-322	1	E-STOP HOUSING, 525

Ref #	Part Number	Qty	Description
228	ET-17165	1	TAB,FASTON, .250 SERIES
230	FS-21372	1	STRAP,AV PW SUPPLY,750C
232	HN-11879	1	KEPS 8-32 HEX STL ZINC
233	HS-14391	1	SCREW SEMS,6-32X.38 PNHD PHIL
234	HS-15706	4	SCREW,8-16X.50,PNHD,STL,BLK ZN CLR,TYP WB
236	HS-18320	6	SCREW,6-19X1-2 in,PNHD PHIL,ZN
237	HS-20306	1	SCREW,6-20X1.12 PNHD PHIL TYPE
238	HS-21672	1	SCREW 8-32-1/2in TT TRILOBULAR
242	HS-41187	2	SCREW SLFTP,8-16X.3125,PLASTITE
243	HX-21603	1	TAPE, DBL SIDED, 1 X 2 X .032
244	HX-23491	1	CLIP,CABLE CLAMP,9-16in DIA,NY
246	PL-20230	2	END CAP,CONTACT GRIP
247	770A-328	1	BACK TAB, SMALL CONSOLE, LEFT
248	770A-329	1	BACK TAB, SMALL CONSOLE, RIGHT
258	770A-386	1	THUMB SWITCH, LEFT, INCLINE
259	SW-24136	1	SWITCH,THUMB CONTROL,RIGHT,SPE
260	TR-25809	1	Power Supply
267	HX-14416	1	CLIP,WIRE LATCHING,1X1
305	DE-23636	1	Decal Warning Main 525T
306	DE-23637	1	Decal Warning Cntr 525T
308	DE-23767	1	DECAL,UPPER DISPLAY,EPEM,525T
311	AD-23465	1	PCA,IR SENSOR,EPEM
312	HX-24477	1	TAPE,DBL SIDED,VHB, .25X 0.83
313	525AT-321	1	CONSOLE REAR, EPEM, 525

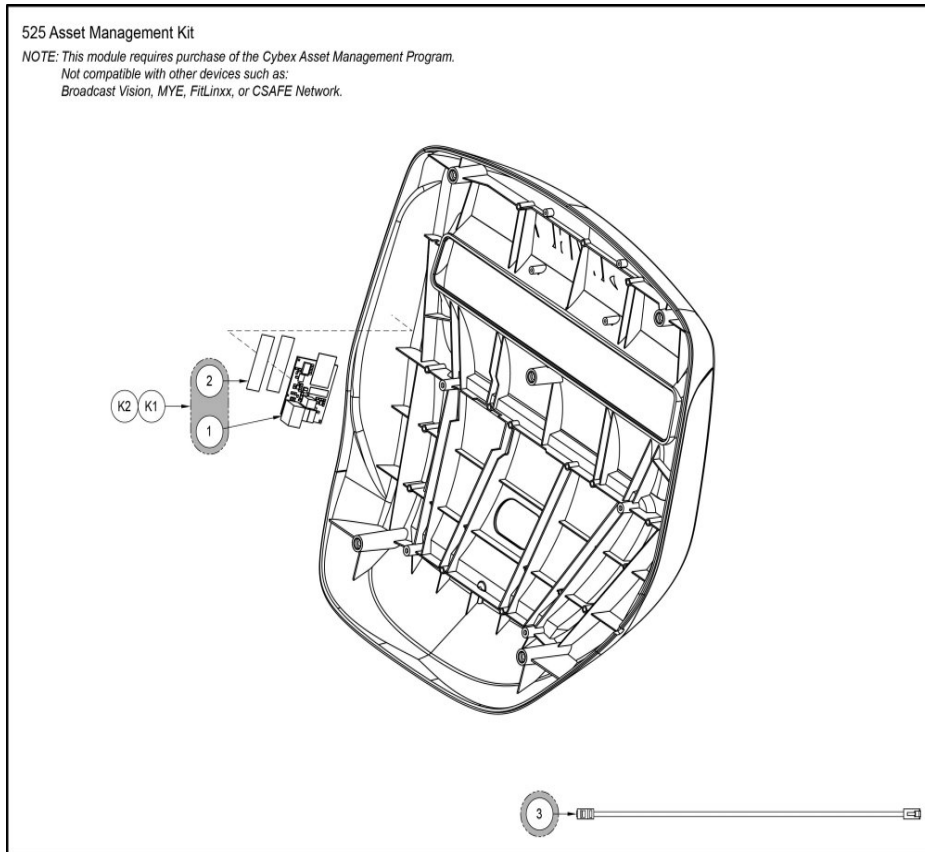
525T E3 View Motors and Lower Electronics (After J0813)



Ref #	Part Number	Qty	Description
K1	PKHX-25604	1	ELEV,TUBENUT,KIMATEK 525 625 7
2	AF-20052	1	BRKT,MOTOR,MOUNTING,7XXT
K2	PKHX-25605	1	ELEV,TUBENUT,VON WEISE 525 625
12	AW-22883	1	WIRE10.25in JUMPER BLACK WITH
13	AW-22884	1	WIRE10.25in JUMPER WHITE WITH
14	AX-22608	1	ASSY,POWER INLET PLATE,770T
17	AX-23582	1	ASSY,ELEVATION 525T
25	EC-18896	1	FILTER,16A
26	EH-00986	1	TY WRAP,T B TYB-25M 9 in
28	FM-23583	1	SHAFT,ELEVATION, 525T
31	FS-23929	1	COVER,CONTROLLER,525T
35	HN-11136	4	KEPS 5/16-18 HEX STL ZINC
41	HS-16929	2	BOLT WHIZ LCK,3-8-16X.625,HXHD
43	HS-21672	8	SCREW 8-32-1/2in TT TRILOBULAR
44	HS-22815	1	SCREW,10-32 X .50,TAPTITE,GREE
46	FM-25595	1	SHAFT,ELEVATION UPPER
56	HX-13771	2	RING,RETAIN,5-8" .579 FR.ID
58	HX-20360	4	INSERT,EXPANSION,PLASTIC,#8-#1
65	MR-22239	1	MOTOR,AC DRIVE 220V,3HP
75	RE-23040	1	RESISTOR,TM5 DYNAMIC BRAKE,7.5

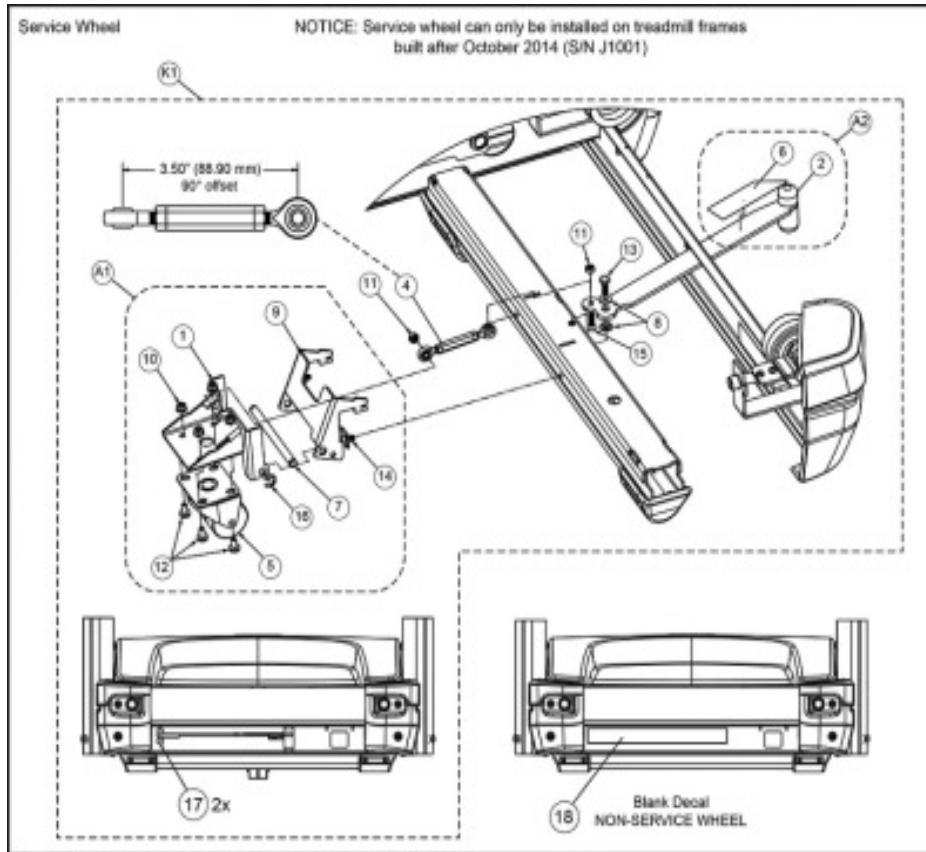
Ref #	Part Number	Qty	Description
100B	AD-23915	1	CONTROLLER,230 2N,NON PFC
100A	AD-22395	1	CONTROLLER,115 IN,NON PFC
100C	AD-23914	1	CONTROLLER,115 IP,PFC
102B	PKMR-24819	1	Kit,Elevation Motor 220v,525T
102A	PKMR-24818	1	KIT,ELEVATION MOTOR 115V,525T
103A	SW-19667	1	SWITCH,THERMAL CB,20AMP 240V,R
103B	SW-19666	1	SWITCH,THERMAL CB,15AMP 240V,R
110	HX-25594	4	RING RETAINING EXT,3-8 IN SHAF
111	FM-24429	1	SHAFT,ELEVATION,LOWER
402	FS-23071	1	BRACKET,POWER CORD RETAINING

525 Asset Management Kit After J10



Ref #	Part Number	Qty	Description
1	OAD-25136V	1	PCA, ELECT IMP AWN SLDR MOD, US
1	OAD-25138V	1	PCA, ELECT IMP AWN SLDR MOD, EU
K1	KU-25238	1	UPGRADE KIT,AWM,IMP, 525 625 7
2	OHX-25109	1	TAPE, DBL SIDED, VHB, 1.0X.25X.120THK
K2	KU-25239	1	UPGRADE KIT,AWM,IMP, 525 625 7
3	770A-411	1	CABLE, CATSE, 18

625T 770T Service Wheel



Ref #	Part Number	Qty	Description
K1	KAX-25516	1	KIT,SERVICE WHEEL,625T 770T
A1	AX-25575	1	ASSY,BRKT,SERVICE WHEEL 525T,6
1	AF-24996	1	WELD,BRKT WHEEL MOUNT,525T,625T,770T
2	AF-25002	1	WELD,LEVER,SERVICE WHEEL,625T 770T 790T
A2	AX-25578	1	ASSY,HANDLE,SERVICE WHEEL 625T
4	AX-24987	1	ASSY,ROD END,SERVICE WHEEL
5	CW-25006	1	CASTOR,SWIVEL,SERVICE WHEEL
6	DE-25047-4	1	DECAL,PROTECTIVE,SLIDE LEVER,E
7	FM-24997	1	PIN,BRKT,3RD WHEEL
8	FM-24999	2	SPACER,PIVOT
9	FS-24994	1	BRKT,FRAME PIVOT,SERVICE WHEEL
10	HN-12079	4	KEPS 1-4-20 HEX STL ZINC
11	HN-25189	2	NUT,NYLOCK M6X1,YELLOW ZN
12	HS-16875	4	BOLT SEMS,1-4-20X.5,PNHD PHIL,
13	HS-25017	1	BOLT,1-4X20X3-4,HXHD STL ZN GR
14	HS-25020	1	SCREW,TT,1-4X-20X1-2" PNHD PHI
15	HS-25111	1	SCREW,M6X1-22MM,FLHD,SOC CAP,S
16	HX-24689	2	RETAINING RING,3-8 SHAFT,E TYP
17	HX-25018	2	BUMPER,RUBBER,ROUND PUSH-IN
18	DE-25046	1	DECAL,REAR ROLLER GUARD

