

# 525T TREADMILL

525T-LED-02

## Parts Manual

1/5/2019 4:44:55 AM

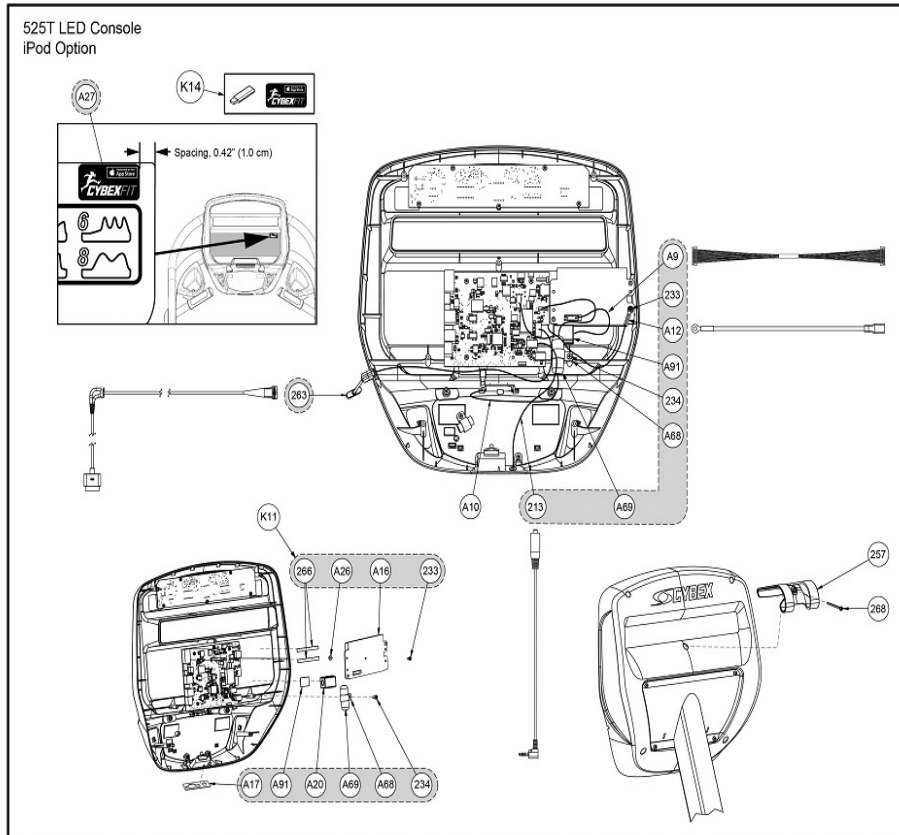


**Table of Contents**

---

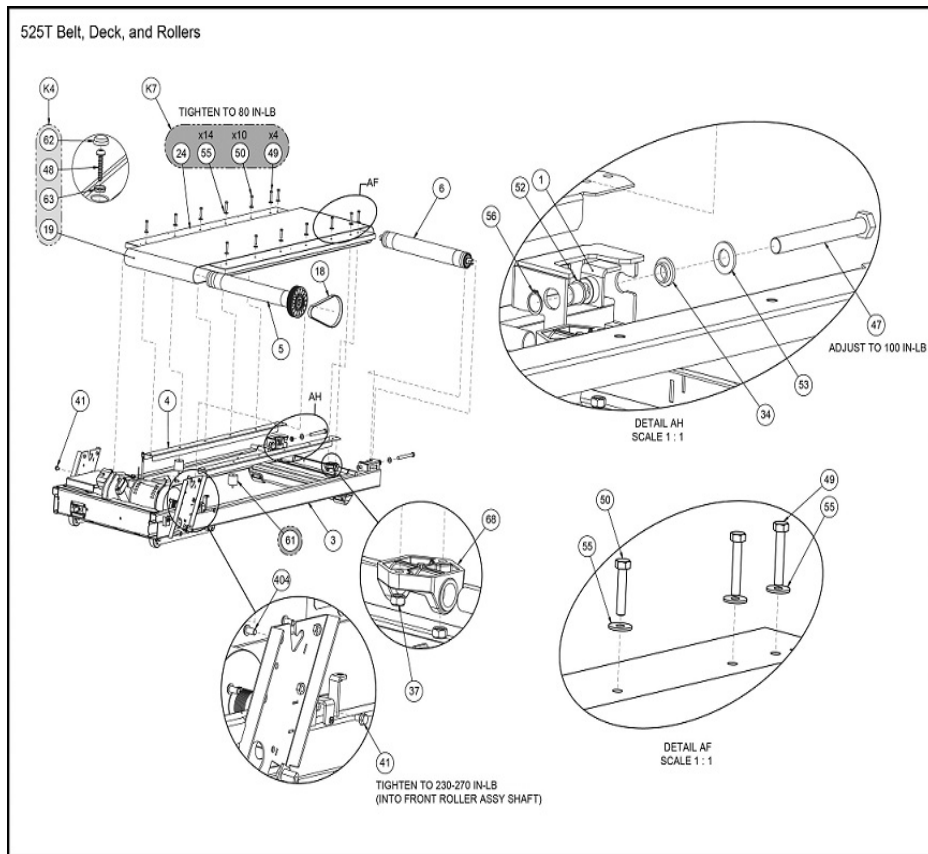
<a href="#">525T iPod Option.....</a>	<a href="#">3</a>
<a href="#">525T Belt, Deck, and Rollers.....</a>	<a href="#">4</a>
<a href="#">525T Console Cables.....</a>	<a href="#">6</a>
<a href="#">525T Frame Assembly.....</a>	<a href="#">7</a>
<a href="#">525T Hardware Manual and Power Cords.....</a>	<a href="#">9</a>
<a href="#">525T LED Console.....</a>	<a href="#">10</a>
<a href="#">525T Motors and Lower Electronics (After J0813).....</a>	<a href="#">12</a>
<a href="#">525T Wireless Audio Option.....</a>	<a href="#">14</a>

### 525T iPod Option



Ref #	Part Number	Qty	Description
A9	770A-363	1	CABLE, 770T 670 GFX BOARD TO MCC
A10	770A-361	1	CABLE, ARC HRBOARD TO MCC
K11	PKCP-24885	1	KIT,APPLE UPGRADE,525TCR
A12	770A-412	1	CABLE, EPDM CHASSIS GROUND
K14	PKCP-24966	1	KIT,CYBEX FIT DECAL
A16	AX-24137	1	ASSY,iPOD PCA,525 625
A17	DE-23639	1	DECAL,ESTOP-HEADPHONE JACK,525
A20	750A-396	1	Ferrite Clamp-on .40 ID
A26	HN-10705	1	KEPS 6-32 HEX STL ZINC
A27	DE-24397	1	DECAL,CYBEX FIT
A68	HX-24312	1	CLIP,CABLE CLAMP,3-4"DIA
A69	770A-410	1	FERRITE, 407 OHMS
A91	HX-17788	1	TAPE,DBL SIDED, .032THK
213	525AT-311	1	CABLE, HEADPHONE JACK JMPR
233	HS-14391	1	SCREW SEMS,6-32X.38 PNHD PHIL
234	HS-15706	1	SCREW,8-16X.50,PNHD,STL,BLK ZN CLR,TYP WB
257	PL-24065	1	CLIP,IPAD
263	OAW-23863V	1	CABLE, IPOD, 525, PURCHASED
266	525AT-408	1	TAPE, DBL SIDED, VHB, .25 X 2.5
268	HS-20361	1	SCREW SLFTP 8-16X2-1/2in PLAST

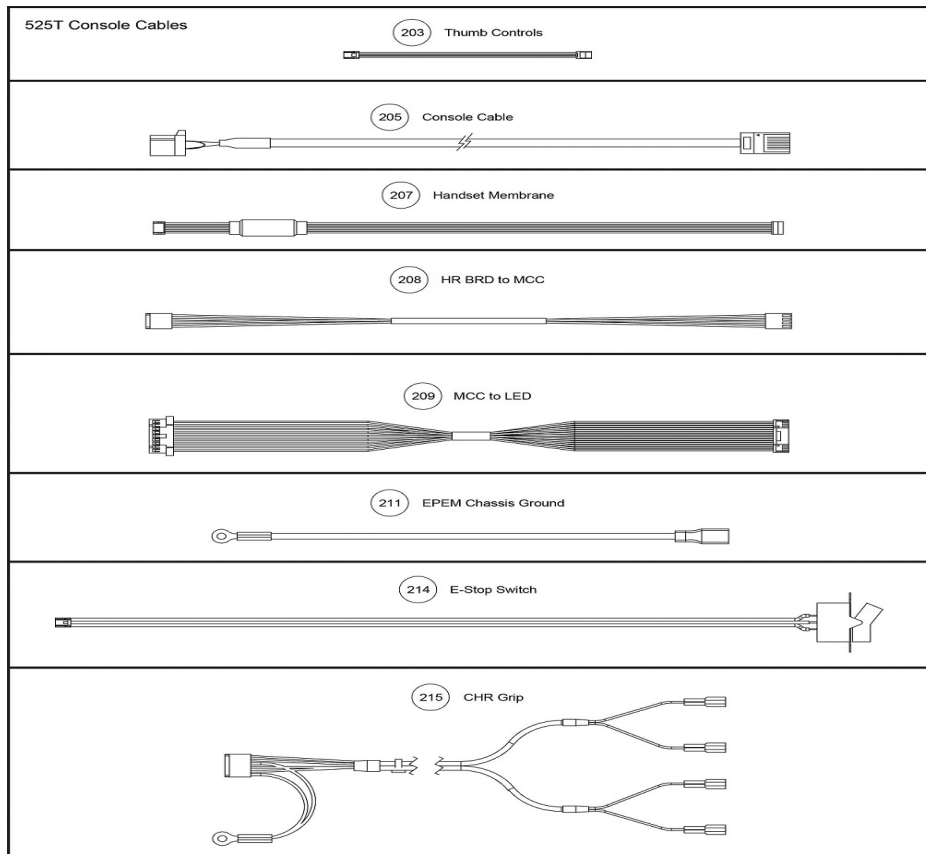
# 525T Belt, Deck, and Rollers



Ref #	Part Number	Qty	Description
1	AF-19988	2	NUT,ROLLER,REAR FRONT,7XXT
3	AF-23562	1	WELDMENT,FRAME,525T Custom
K4	KBD-24315	1	KIT,RUNNING BELT,W-HRDW 525T
4	AF-23685	2	STIFFENER,DECK,525T
5	AL-23586	1	ASSY,FRONT ROLLER
6	AL-23587	1	ASSY,REAR ROLLER
K7	KDK-24316	1	KIT,RUNNING DECK W-DECK BUMPER
18	BD-22464	1	BELT,DRIVE,POLY-V8 RIB AC MOTO
19	BD-24388	1	BELT,RUNNING,20X59.75,FULL COM
24	DK-23584	1	DECK,RUNNING,SYNTHETIC,525T
34	HB-16367	2	BUSHING .50IDX.62ODX.31LG,FLAN
37	HN-24083	1	NUT,5-16-18,ESNA,STL,ZINC
41	HS-16929	2	BOLT WHIZ LCK,3-8-16X.625,HXHD
47	HS-23687	2	BOLT TAP,1-2-13X5,HXHD,G5,BLK
48	HS-23811	1	SCREW,SHT MTL,TYPE A,#10X1.25"
49	HS-23839	4	BOLT,5-16-18 X1.75,HXHD,STL,BL
50	HS-24081	10	BOLT,5-16X1.50,HXHD,STL, ZN,GR
52	HW-00590	2	BUSHING,NYLON,1-2 in
53	HW-10028	2	WSHR B 1-2 NARROW ZINC
55	HW-24082	14	WSHR,PLAIN,5-16X .88 X .075,STL,ZN
56	HX-13771	2	RING,RETAIN,5-8" .579 FR.ID
61	HX-23588	2	BUMPER CYLINDRICAL 2in OD X 1.

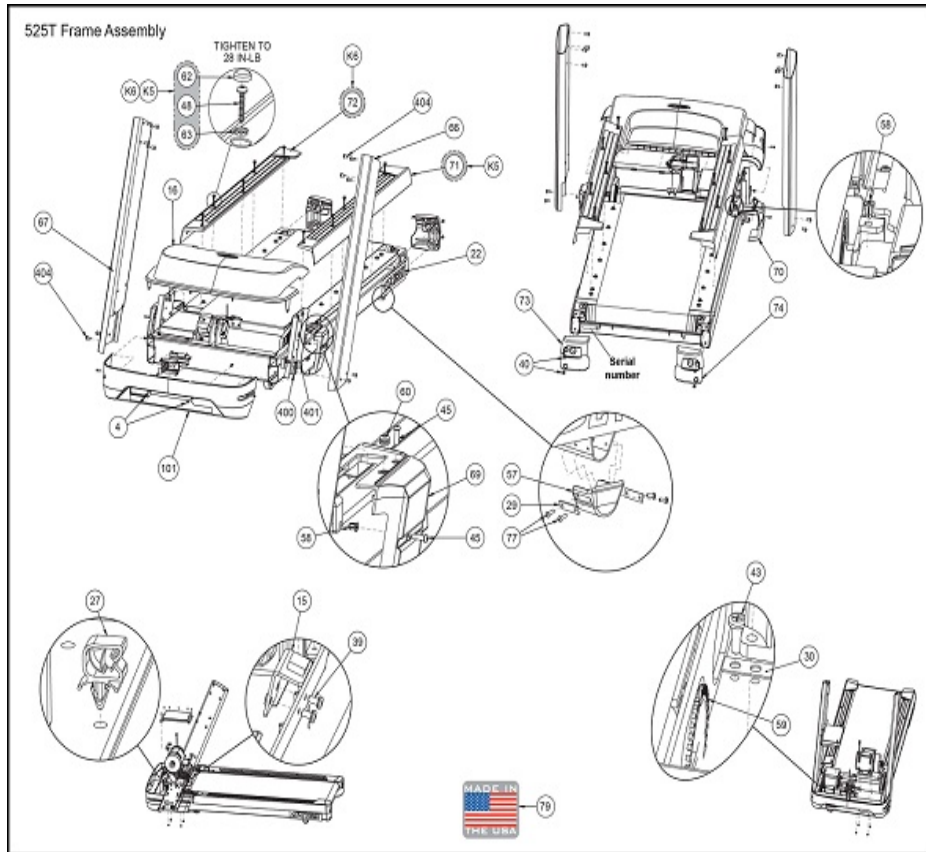
<b>Ref #</b>	<b>Part Number</b>	<b>Qty</b>	<b>Description</b>
62	HX-23857	1	COVER,SCREW,#8,#10
63	HX-23858	1	COVER,SCREW,BASE,#10
68	PL-23589	1	PIVOT, IS3, MOLDED
404	HS-22651	2	BOLT,3-8-16-.75 BHCS,ZN

# 525T Console Cables



Ref #	Part Number	Qty	Description
203	770A-365	1	CABLE, THUMB CONTROLS
205	AW-24305	1	CABLE, 525T 625T CONSOLE
207	770A-364	1	CABLE, HANDSET MEMBRANE, ARC
208	770A-361	1	CABLE, ARC HRBOARD TO MCC
209	770A-359	1	CABLE, 770A ARC MCC TO LED
211	770A-412	1	CABLE, EPEM CHASSIS GROUND
214	AW-23866	1	CABLE, 525T E-STOP SWITCH
215	AW-23884	1	CABLE, 525T CHR GRIP

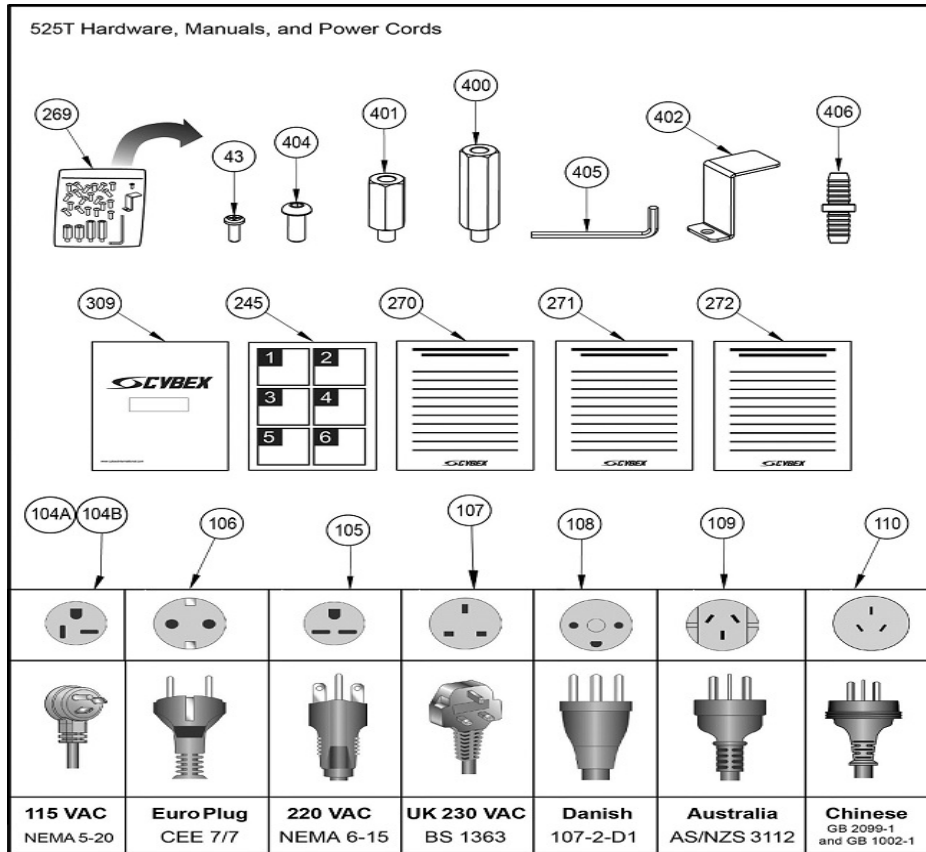
# 525T Frame Assembly



Ref #	Part Number	Qty	Description
4	AF-23685	2	STIFFENER,DECK,525T
K5	KPL-24317	1	KIT,COVER, TOP STEP,LEFT,525T
K6	KPL-24318	1	KIT,COVER, TOP STEP,RIGHT,525T
15	AX-22869	1	ASSY,MOTOR COVER SUPPORT
16	AX-22880	1	KIT,HOOD COVER,UPPER
22	DE-19360	2	DECAL,CYBEX,BLACK
27	EH-20254	1	CLIP,WIRE RETAINER,.24-.47"DIA
29	FS-16511	2	PLATE,REAR RUBBER FOOT MNT
30	FS-23041	2	GROUND STRAP,CONTROLLER
39	HS-11976	4	SCREW SEMS,10-32X.38,EXT,ZN
40	HS-16875	2	BOLT SEMS,1-4-20X.5,PNHD PHIL,
43	HS-21672	2	SCREW 8-32-1/2in TT TRILOBULAR
45	HS-22816	2	SCREW,10-14 X .75,PLASTITE,STL
48	HS-23811	10	SCREW,SHT MTL,TYPE A,#10X1.25"
57	HX-16510	2	FOOT,RUBBER,REAR
58	HX-20360	1	INSERT,EXPANSION,PLASTIC,#8-#1
59	HX-22832	2	GROMMET,MOLDED,CUT TO LENGTH 5
60	HX-22879	2	GROMMET,7-32IDX17-32ODX25-64THK
62	HX-23857	10	COVER,SCREW,#8,#10
63	HX-23858	10	COVER,SCREW,BASE,#10
66	PC-23590	1	UPRIGHT,EXTRUSION LEFT,PLATINUM SPARKLE
67	PC-23591	1	UPRIGHT,EXTRUSION RIGHT,PLATINUM SPARKLE

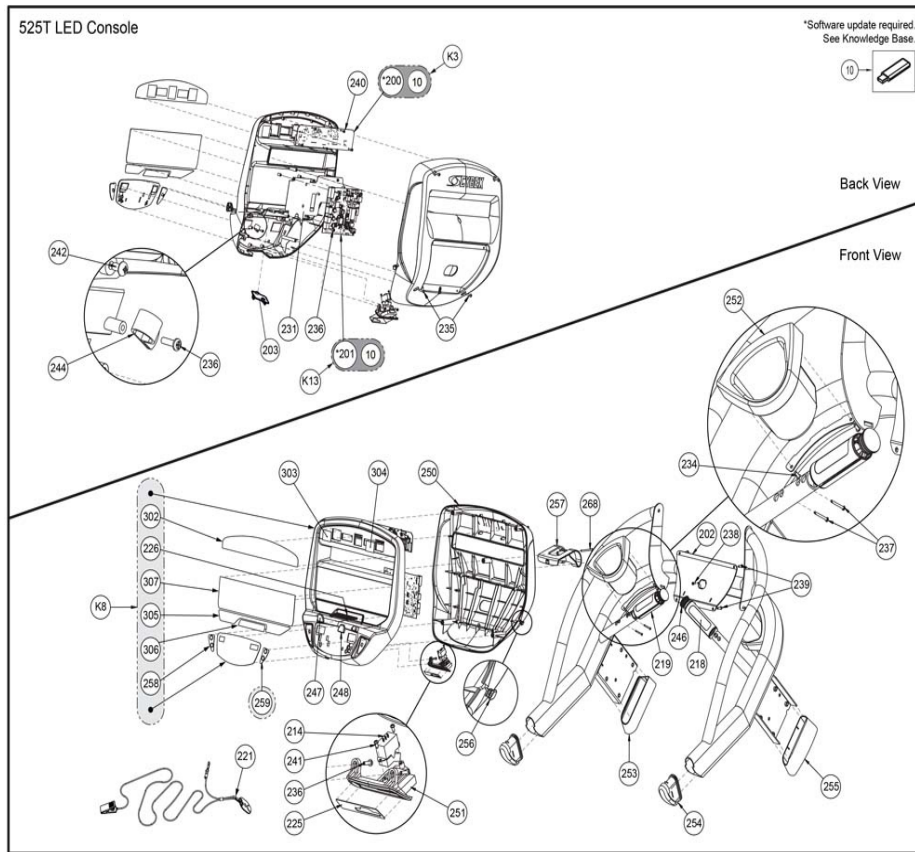
Ref #	Part Number	Qty	Description
69	PL-23705	1	MOTOR COVER SUPPORT,LEFT,525T
70	PL-23706	1	MOTOR COVER SUPPORT,RIGHT,525T
71	PL-23707	1	TOP STEP,LEFT,525T
72	PL-23708	1	TOP STEP,RIGHT,525T
73	PL-23709	1	END CAP,LEFT,525T
74	PL-23710	2	END CAP,RIGHT,525T
77	HS-16509	8	SCREW SLFTP,10X.5,PNHD,PLT,TYP
79	11040-790	1	NLA: DECAL, MADE IN THE USA
101	AX-23042	1	ASSY,115V MOTOR COVER,LOWER
101	AX-23086	1	ASSY,220V MOTOR COVER,LOWER
400	AX-23656	2	STANDOFF,M-F,3-8-16 THREAD,1.9
401	AX-23657	2	STANDOFF,M-F,3-8-16 THREAD,1.0
404	HS-22651	6	BOLT,3-8-16-.75 BHCS,ZN

# 525T Hardware Manual and Power Cords



Ref #	Part Number	Qty	Description
43	HS-21672	1	SCREW 8-32-1/2in TT TRILOBULAR
104A	AW-20280	1	POWER CORD,115V,20A,60HZ
104B	AW-24574	1	POWER CORD,115V 20A 60Hz,6FT
105	AW-20281	1	POWER CORD,220V 15A,60HZ
106	AW-20282	1	POWER CORD,230V,16A,50HZ
107	AW-20283	1	POWER CORD,UK,230V,13A,50HZ
108	AW-22228	1	POWER CORD,13A,250V IEC 60320,
109	AW-24059	1	POWERCORD,250V 15A AUS/NZ
110	AW-25664	1	POWER CORD,16A/250V,2.5m,CHINE
245	LT-24020	1	POSTER,ASSY,525T
269	AX-23655	1	KIT,INSTALL,HARDWARE,525T
400	AX-23656	2	STANDOFF,M-F,3-8-16 THREAD,1.9
401	AX-23657	2	STANDOFF,M-F,3-8-16 THREAD,1.0
402	FS-23071	1	BRACKET,POWER CORD RETAINING
404	HS-22651	20	BOLT,3-8-16-.75 BHCS,ZN
405	HX-00440	1	HEX KEY 7-32IN.
406	HX-21519	1	PIN,PLASTIC RETAINIER

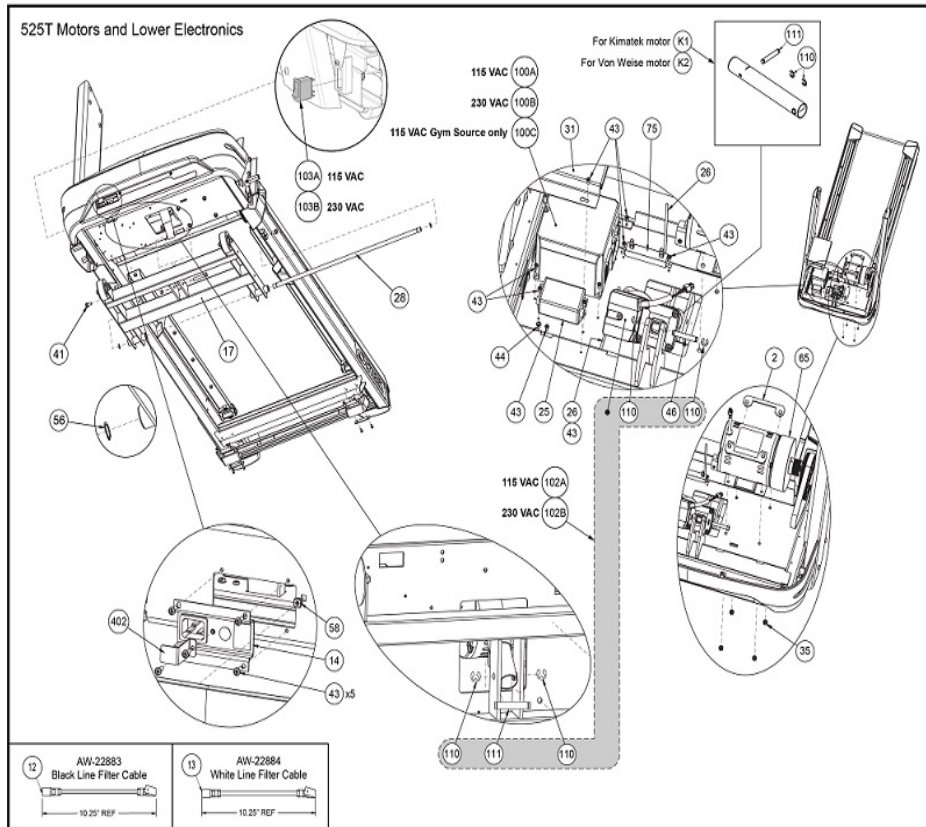
### 525T LED Console



Ref #	Part Number	Qty	Description
K3	KAD-24319	1	Kit 525T Disp Bd w/Enu
K8	KPL-24322	1	KIT,BEZEL W-KEYPAD,DECAL 525T Custom
10	CP-23199	1	USB 2.0 FLASH DRIVE,BLANK CDW 424820 for kit PKCP-23201
K13	PKAD-24628	1	KIT,MCC REPLACEMENT 525T
200	525AT-393	1	PCA, LED UPPER DISPLAY BOARD, 525
201	AD-23678	1	NC R&R PCA,MCC UNPROG,AV,525T
202	AF-23633	1	WELDMENT,CONSOLE 525T
203	770A-379	1	SENSOR, HEART RATE COMBO
214	AW-23866	1	CABLE,525T E-STOP SWITCH
218	770A-397	2	GRIP, CHR, TOP
219	770A-398	2	GRIP, CHR, BOTTOM
221	AX-24103	1	ASSY,LANYARD,ESTOP KEY
225	DE-23639	1	DECAL,ESTOP-HEADPHONE JACK,525
226	525AT-399	1	DECAL, IPOD TRAY
231	AF-24475	1	PLATE,GROUNDING,MCC,525
234	HS-15706	1	SCREW,8-16X.50,PNHD,STL,BLK ZN CLR,TYP WB
235	HS-18311	1	SCREW,8-16X.75,PNHD PHIL,STL,B
236	HS-18320	1	SCREW,6-19X1-2 in,PNHD PHIL,ZN
237	HS-20306	4	SCREW,6-20X1.12 PNHD PHIL TYPE
238	HS-21672	1	SCREW 8-32-1/2in TT TRILOBULAR
239	HS-22816	2	SCREW,10-14 X .75,PLASTITE,STL

Ref #	Part Number	Qty	Description
240	HS-23922	1	SCREW,#6-19X5/16 PLASTITE, PHI
241	HS-23923	1	SCREW,#4-19X1/4 PLASTITE, PHIL
242	HS-41187	1	SCREW SLFTP,8-16X.3125,PLASTITE
244	HX-23491	1	CLIP,CABLE CLAMP,9-16in DIA,NY
246	PL-20230	1	END CAP,CONTACT GRIP
247	770A-328	1	BACK TAB, SMALL CONSOLE, LEFT
248	770A-329	1	BACK TAB, SMALL CONSOLE, RIGHT
250	525AT-321	1	CONSOLE REAR, EPEM, 525
251	525AT-322	1	E-STOP HOUSING, 525
252	PL-23670	2	CUP HOLDER
253	PL-23676	1	JUNCTION COVER, UPRIGHT, LEFT
254	PL-23679	2	END CAP,HANDRAIL
255	PL-23684	1	JUNCTION COVER,UPRIGHT,RIGHT
256	525AT-334	1	PLUG, IPOD CABLE OPENING, 525
257	PL-24065	1	CLIP,IPAD
258	770A-386	1	THUMB SWITCH, LEFT, INCLINE
259	SW-24136	1	SWITCH,THUMB CONTROL,RIGHT,SPE
268	HS-20361	2	SCREW SLFTP 8-16X2-1/2in PLAST
302	525AT-389	1	DECAL, UPPER DISPLAY MASK, LEFT, 525
303	525AT-376-4	1	LABEL, UPPER DISPLAY MASK, LEFT
304	DE-23630-4	1	LABEL,UPPER DISPLAY MASK RIGHT
305	DE-23636-4	1	LABEL,WARNING MAIN,525T,ENG
306	DE-23637-4	1	LABEL,WARNING CENTER,525T,ENG
307	DE-23764-4	1	LABEL,CONSOLE CENTER 525T,ENG

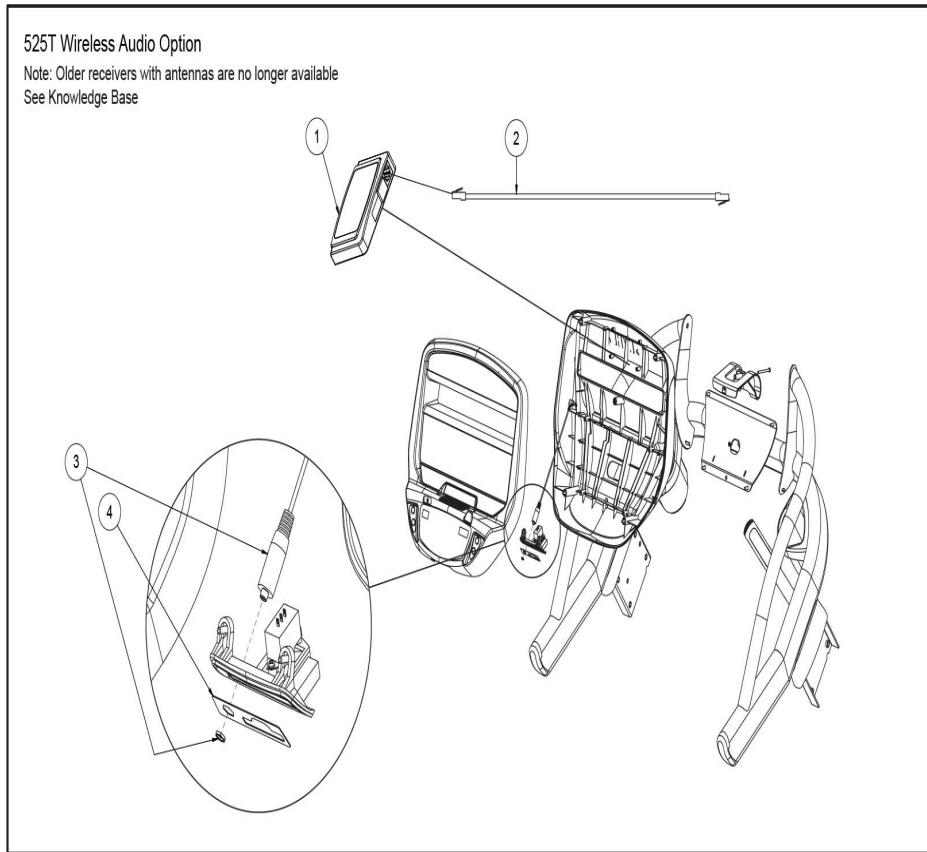
# 525T Motors and Lower Electronics (After J0813)



Ref #	Part Number	Qty	Description
K1	PKHX-25604	1	ELEV,TUBENUT,KIMATEK 525 625 7
K2	PKHX-25605	1	ELEV,TUBENUT,VON WEISE 525 625
2	AF-20052	2	BRKT,MOTOR,MOUNTING,7XXT
12	AW-22883	1	WIRE10.25in JUMPER BLACK WITH
13	AW-22884	1	WIRE10.25in JUMPER WHITE WITH
14	AX-22608	1	ASSY,POWER INLET PLATE,770T
17	AX-23582	1	ASSY,ELEVATION 525T
25	EC-18896	1	FILTER,16A
26	EH-00986	1	TY WRAP,T B TYB-25M 9 in
28	FM-23583	1	SHAFT,ELEVATION, 525T
31	FS-23929	1	COVER,CONTROLLER,525T
35	HN-11136	1	KEPS 5/16-18 HEX STL ZINC
41	HS-16929	2	BOLT WHIZ LCK,3-8-16X.625,HXHD
43	HS-21672	8	SCREW 8-32-1/2in TT TRILOBULAR
44	HS-22815	2	SCREW,10-32 X .50,TAPTITE,GREE
46	FM-25595	1	SHAFT,ELEVATION UPPER
56	HX-13771	1	RING,RETAIN,5-8" .579 FR.ID
58	HX-20360	5	INSERT,EXPANSION,PLASTIC,#8-#1
65	MR-22239	1	MOTOR,AC DRIVE 220V,3HP
75	RE-23040	1	RESISTOR,TM5 DYNAMIC BRAKE,7.5
100B	AD-23915	1	CONTROLLER,230 2N,NON PFC
100A	AD-22395	1	CONTROLLER,115 IN,NON PFC

<b>Ref #</b>	<b>Part Number</b>	<b>Qty</b>	<b>Description</b>
100C	AD-23914	1	CONTROLLER,115 IP,PFC
102A	PKMR-24818	1	KIT,ELEVATION MOTOR 115V,525T
102B	PKMR-24819	1	Kit,Elevation Motor 220v,525T
103B	SW-19666	1	SWITCH,THERMAL CB,15AMP 240V,R
103A	SW-19667	1	SWITCH,THERMAL CB,20AMP 240V,R
110	HX-25594	2	RING RETAINING EXT,3-8 IN SHAF
111	FM-24429	1	SHAFT,ELEVATION,LOWER
402	FS-23071	1	BRACKET,POWER CORD RETAINING

## 525T Wireless Audio Option



Ref #	Part Number	Qty	Description
1	770A-390	1	MODULE, RF 900 MHZ FM US
2	AW-23501	1	CABLE,CAT5E 18in
3	525AT-311	1	CABLE, HEADPHONE JACK JMPR
4	525AT-391	1	DECAL, HEADPHONE JACK, 525 ACR

