

525T Treadmill LED Console

525T-LED-10

Parts Manual

1/5/2019 4:44:59 AM

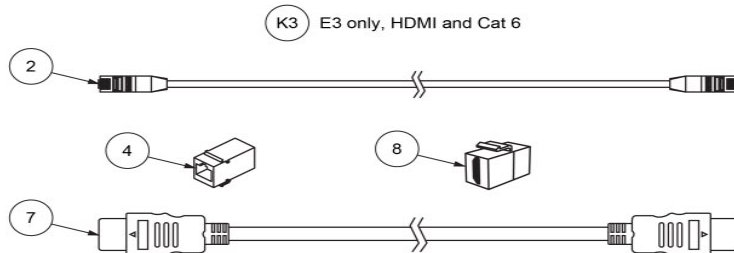
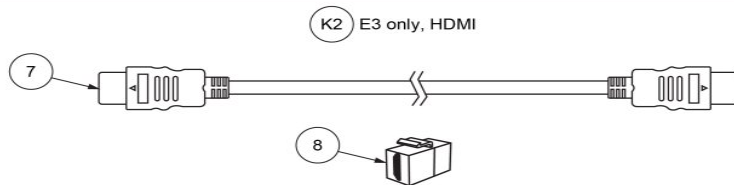
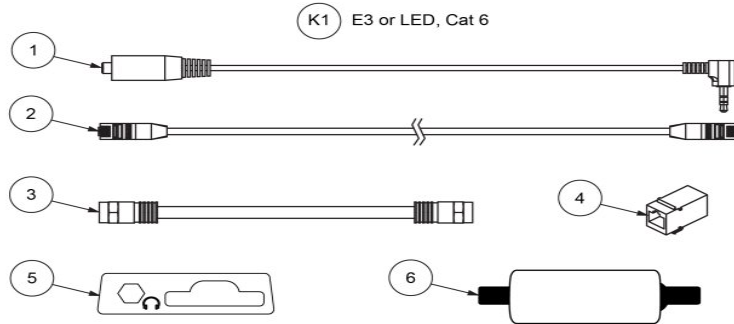


Table of Contents

STB upgrade kit 525T	3
525T iPod Option	4
525T Belt, Deck, and Rollers	5
525T Console Cables	7
525T Frame Assembly	8
525T Hardware Manual and Power Cords	10
525T LED Console	11
525T Motors and Lower Electronics (After J0813)	13
525T Service Wheel	15
525T Wireless Audio Option	16
525 Asset Management Kit After J10	17

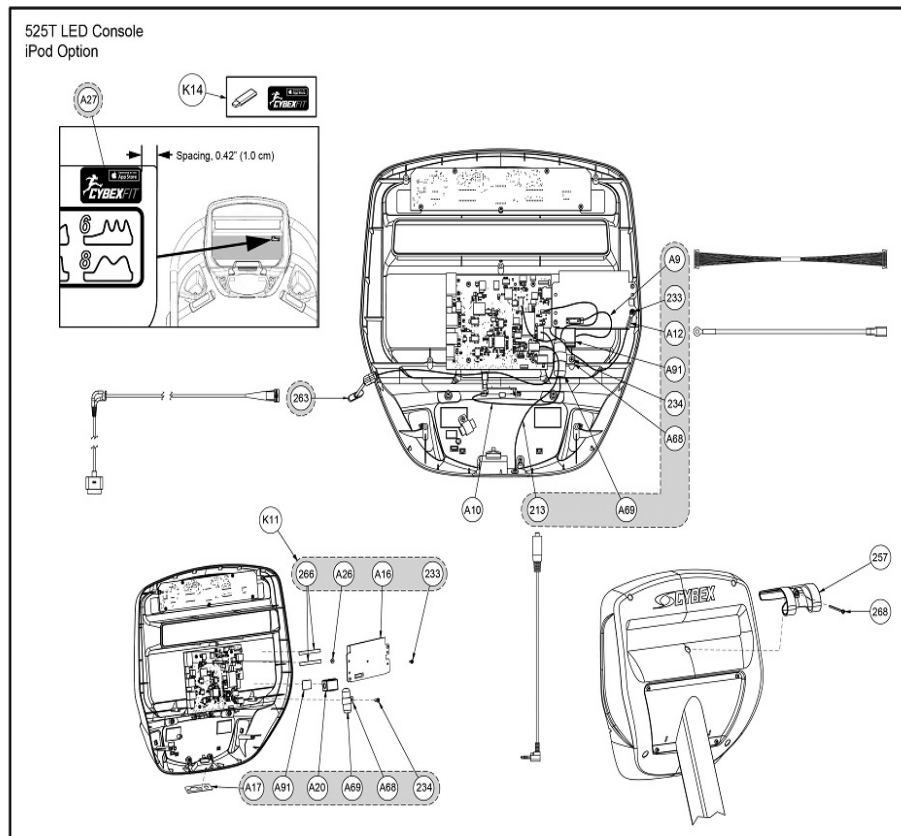
STB_upgrade_kit_525T

525T Treadmill, Set Top Box Kit



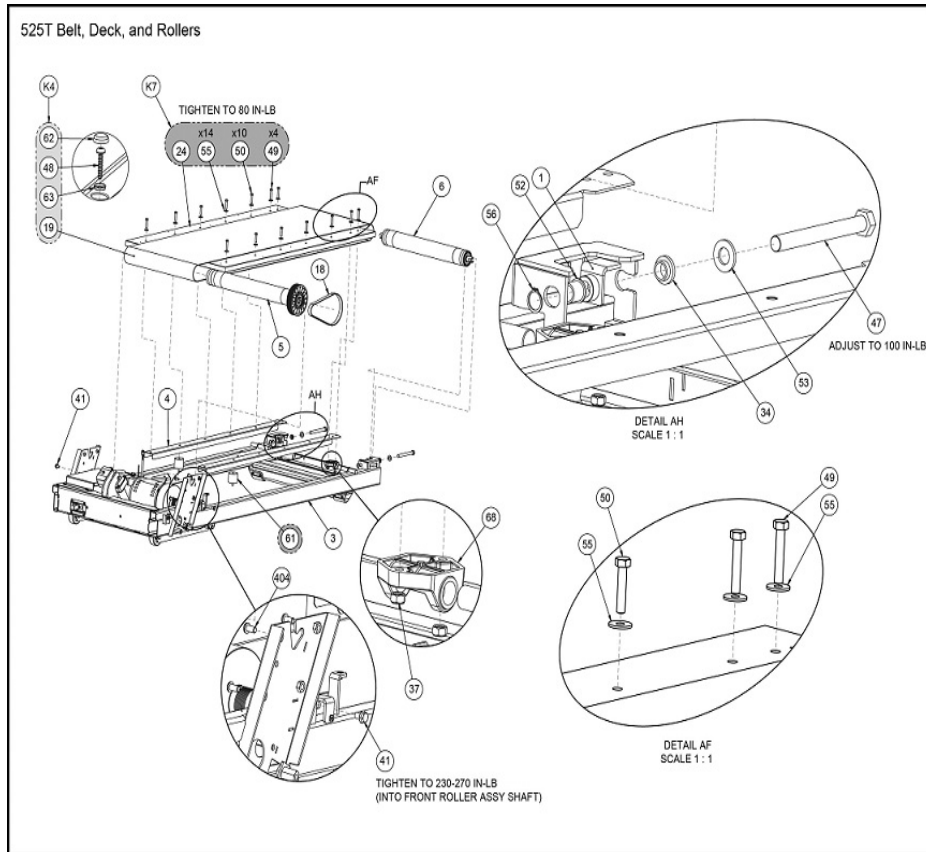
Ref #	Part Number	Qty	Description
1	525AT-311	1	CABLE, HEADPHONE JACK JMPR
K1	PKAW-25938	1	UPGRADE KIT, 525T E3 or LED CAT6
2	AW-24865	1	CABLE,CAT6 SHIELDED,2.5M(98.4I
K2	PKAW-25941	1	UPGRADE KIT, TREAD, EPEM HDMI
3	AW-25319	1	CABLE,6",RG6,750 OHM,BLACK,M-M
K3	PKAW-25943	1	UPGRADE KIT, TREAD, EPEM HDMI CAT6
4	CN-24895	1	COUPLER,CAT6 SHIELDED RJ45 8 C
5	DE-23639	1	DECAL,ESTOP-HEADPHONE JACK,525
6	EC-25318	1	ISOLATOR,COAX,GRND LOOP,5-860M
7	AW-25819	1	CABLE, HDMI 8' HIGH SPEED M-M
8	CN-25816	1	COUPLER, HDMI KEYSTONE

525T iPod Option



Ref #	Part Number	Qty	Description
A9	770A-363	1	CABLE, 770T 670 GFX BOARD TO MCC
A10	770A-361	1	CABLE, ARC HRBOARD TO MCC
K11	PKCP-24885	1	KIT,APPLE UPGRADE,525TCR
A12	770A-412	1	CABLE, EPDM CHASSIS GROUND
K14	PKCP-24966	1	KIT,CYBEX FIT DECAL
A16	AX-24137	1	ASSY,iPOD PCA,525 625
A17	DE-23639	1	DECAL,ESTOP-HEADPHONE JACK,525
A20	750A-396	1	Ferrite Clamp-on .40 ID
A26	HN-10705	1	KEPS 6-32 HEX STL ZINC
A27	DE-24397	1	DECAL,CYBEX FIT
A68	HX-24312	1	CLIP,CABLE CLAMP,3-4"DIA
A69	770A-410	1	FERRITE, 407 OHMS
A91	HX-17788	1	TAPE,DBL SIDED, .032THK
213	525AT-311	1	CABLE, HEADPHONE JACK JMPR
233	HS-14391	1	SCREW SEMS,6-32X.38 PNHD PHIL
234	HS-15706	1	SCREW,8-16X.50,PNHD,STL,BLK ZN CLR,TYP WB
257	PL-24065	1	CLIP,IPAD
263	OAW-23863V	1	CABLE, IPOD, 525, PURCHASED
266	525AT-408	1	TAPE, DBL SIDED, VHB, .25 X 2.5
268	HS-20361	1	SCREW SLFTP 8-16X2-1/2in PLAST

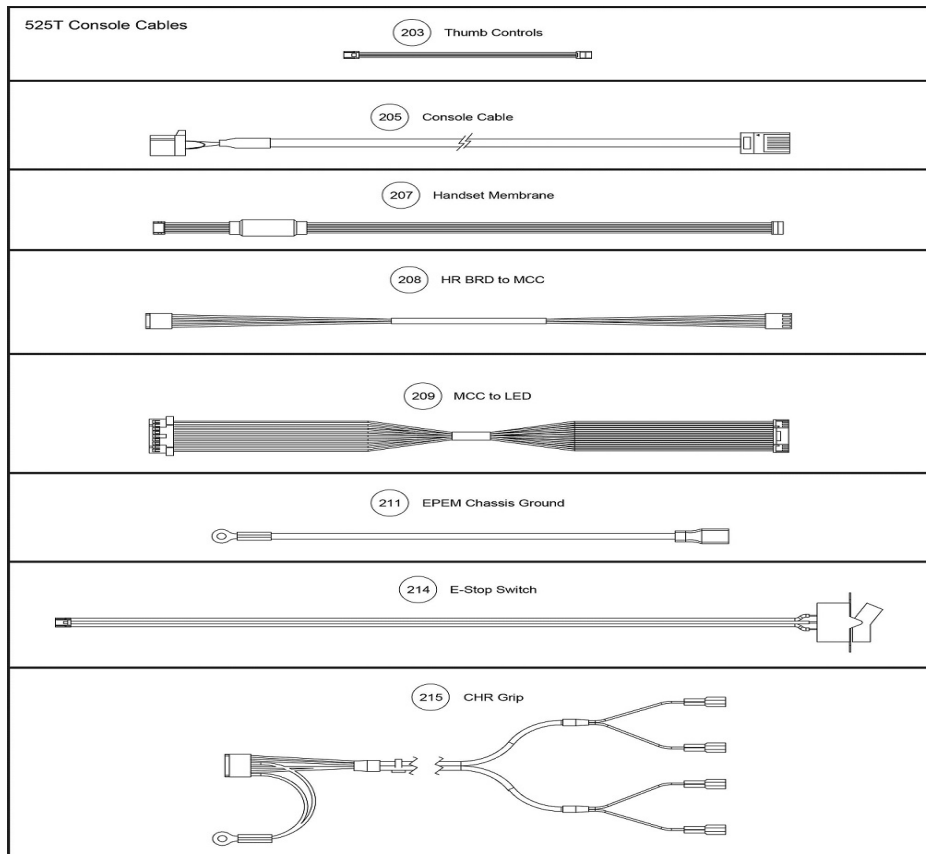
525T Belt, Deck, and Rollers



Ref #	Part Number	Qty	Description
1	AF-19988	2	NUT,ROLLER,REAR FRONT,7XXT
3	AF-23562	1	WELDMENT,FRAME,525T Custom
4	AF-23685	2	STIFFENER,DECK,525T
K4	KBD-24315	1	KIT,RUNNING BELT,W-HRDW 525T
5	AL-23586	1	ASSY,FRONT ROLLER
6	AL-23587	1	ASSY,REAR ROLLER
K7	KDK-24316	1	KIT,RUNNING DECK W-DECK BUMPER
18	BD-22464	1	BELT,DRIVE,POLY-V8 RIB AC MOTO
19	BD-24388	1	BELT,RUNNING,20X59.75,FULL COM
24	DK-23584	1	DECK,RUNNING,SYNTHETIC,525T
34	HB-16367	2	BUSHING .50IDX.62ODX.31LG,FLAN
37	HN-24083	1	NUT,5-16-18,ESNA,STL,ZINC
41	HS-16929	2	BOLT WHIZ LCK,3-8-16X.625,HXHD
47	HS-23687	2	BOLT TAP,1-2-13X5,HXHD,G5,BLK
48	HS-23811	1	SCREW,SHT MTL,TYPE A,#10X1.25"
49	HS-23839	4	BOLT,5-16-18 X1.75,HXHD,STL,BL
50	HS-24081	10	BOLT,5-16X1.50,HXHD,STL, ZN,GR
52	HW-00590	2	BUSHING,NYLON,1-2 in
53	HW-10028	2	WSHR B 1-2 NARROW ZINC
55	HW-24082	14	WSHR,PLAIN,5-16X .88 X .075,STL,ZN
56	HX-13771	2	RING,RETAIN,5-8" .579 FR.ID
61	HX-23588	2	BUMPER CYLINDRICAL 2in OD X 1.

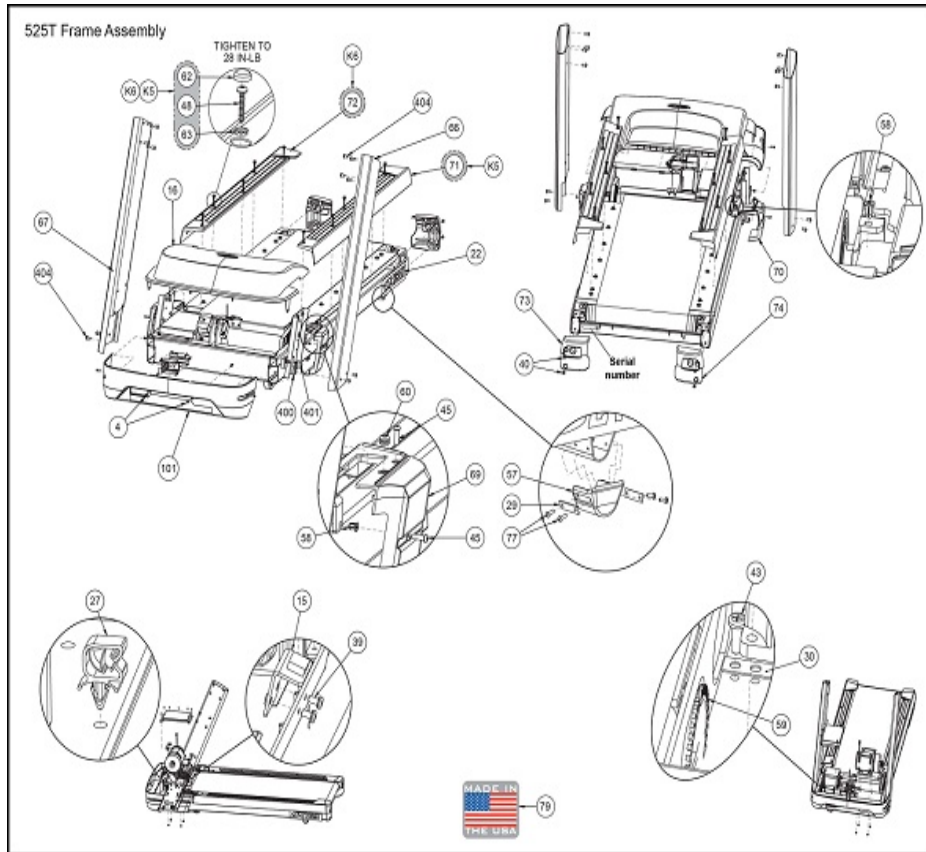
Ref #	Part Number	Qty	Description
62	HX-23857	1	COVER,SCREW,#8,#10
63	HX-23858	1	COVER,SCREW,BASE,#10
68	PL-23589	1	PIVOT, IS3, MOLDED
404	HS-22651	2	BOLT,3-8-16-.75 BHCS,ZN

525T Console Cables



Ref #	Part Number	Qty	Description
203	770A-365	1	CABLE, THUMB CONTROLS
205	AW-24305	1	CABLE, 525T 625T CONSOLE
207	770A-364	1	CABLE, HANDSET MEMBRANE, ARC
208	770A-361	1	CABLE, ARC HRBOARD TO MCC
209	770A-359	1	CABLE, 770A ARC MCC TO LED
211	770A-412	1	CABLE, EPEM CHASSIS GROUND
214	AW-23866	1	CABLE, 525T E-STOP SWITCH
215	AW-23884	1	CABLE, 525T CHR GRIP

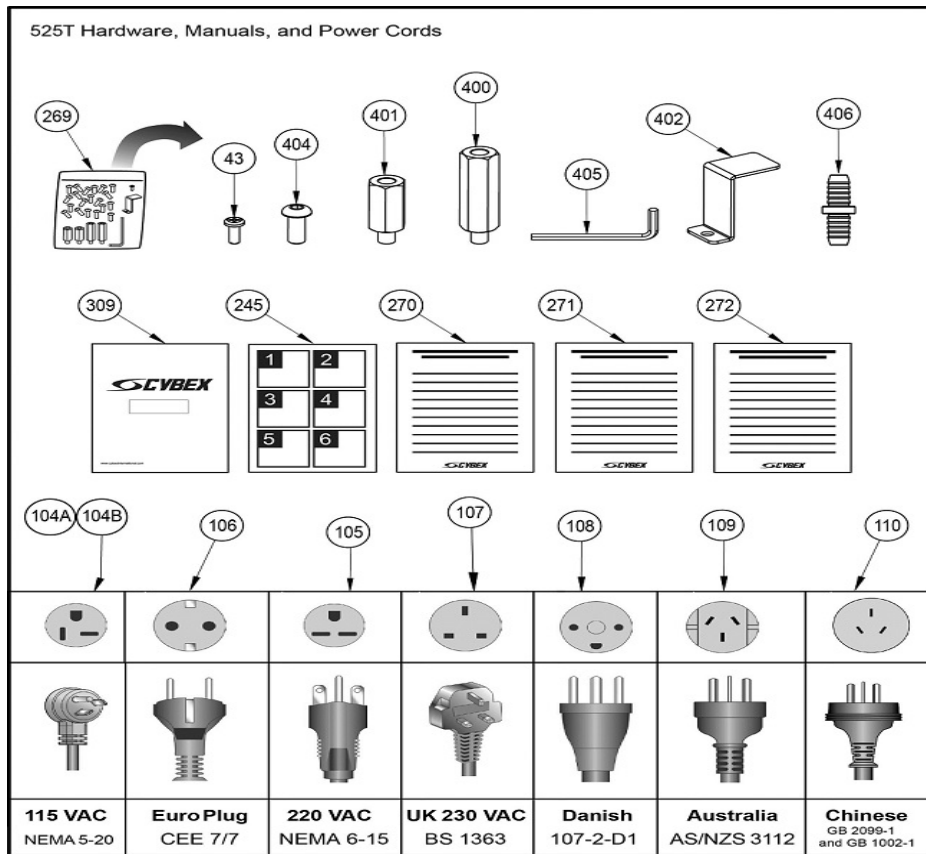
525T Frame Assembly



Ref #	Part Number	Qty	Description
4	AF-23685	2	STIFFENER,DECK,525T
K5	KPL-24317	1	KIT,COVER, TOP STEP,LEFT,525T
K6	KPL-24318	1	KIT,COVER, TOP STEP,RIGHT,525T
15	AX-22869	1	ASSY,MOTOR COVER SUPPORT
16	AX-22880	1	KIT,HOOD COVER,UPPER
22	DE-19360	2	DECAL,CYBEX,BLACK
27	EH-20254	1	CLIP,WIRE RETAINER,.24-.47"DIA
29	FS-16511	2	PLATE,REAR RUBBER FOOT MNT
30	FS-23041	2	GROUND STRAP,CONTROLLER
39	HS-11976	4	SCREW SEMS,10-32X.38,EXT,ZN
40	HS-16875	2	BOLT SEMS,1-4-20X.5,PNHD PHIL,
43	HS-21672	2	SCREW 8-32-1/2in TT TRILOBULAR
45	HS-22816	2	SCREW,10-14 X .75,PLASTITE,STL
48	HS-23811	10	SCREW,SHT MTL,TYPE A,#10X1.25"
57	HX-16510	2	FOOT,RUBBER,REAR
58	HX-20360	1	INSERT,EXPANSION,PLASTIC,#8-#1
59	HX-22832	2	GROMMET,MOLDED,CUT TO LENGTH 5
60	HX-22879	2	GROMMET,7-32IDX17-32ODX25-64THK
62	HX-23857	10	COVER,SCREW,#8,#10
63	HX-23858	10	COVER,SCREW,BASE,#10
66	PC-23590	1	UPRIGHT,EXTRUSION LEFT,PLATINUM SPARKLE
67	PC-23591	1	UPRIGHT,EXTRUSION RIGHT,PLATINUM SPARKLE

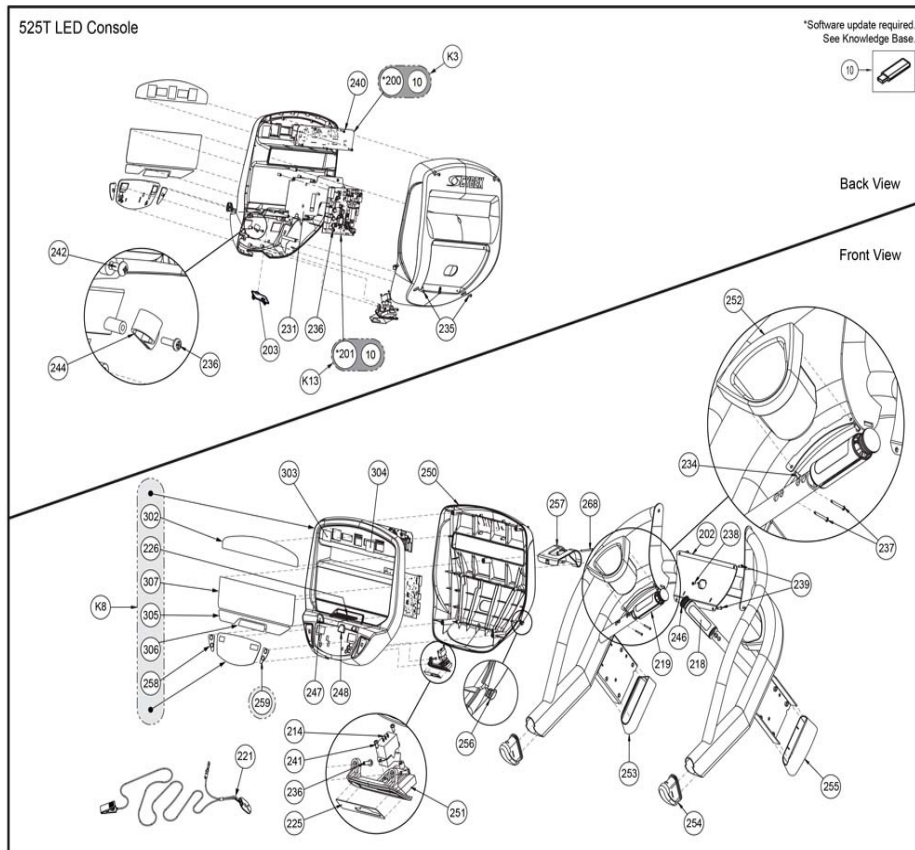
Ref #	Part Number	Qty	Description
69	PL-23705	1	MOTOR COVER SUPPORT,LEFT,525T
70	PL-23706	1	MOTOR COVER SUPPORT,RIGHT,525T
71	PL-23707	1	TOP STEP,LEFT,525T
72	PL-23708	1	TOP STEP,RIGHT,525T
73	PL-23709	1	END CAP,LEFT,525T
74	PL-23710	2	END CAP,RIGHT,525T
77	HS-16509	8	SCREW SLFTP,10X.5,PNHD,PLT,TYP
79	11040-790	1	NLA: DECAL, MADE IN THE USA
101	AX-23086	1	ASSY,220V MOTOR COVER,LOWER
101	AX-23042	1	ASSY,115V MOTOR COVER,LOWER
400	AX-23656	2	STANDOFF,M-F,3-8-16 THREAD,1.9
401	AX-23657	2	STANDOFF,M-F,3-8-16 THREAD,1.0
404	HS-22651	6	BOLT,3-8-16-.75 BHCS,ZN

525T Hardware Manual and Power Cords



Ref #	Part Number	Qty	Description
43	HS-21672	1	SCREW 8-32-1/2in TT TRILOBULAR
104A	AW-20280	1	POWER CORD,115V,20A,60HZ
104B	AW-24574	1	POWER CORD,115V 20A 60Hz,6FT
105	AW-20281	1	POWER CORD,220V 15A,60HZ
106	AW-20282	1	POWER CORD,230V,16A,50HZ
107	AW-20283	1	POWER CORD,UK,230V,13A,50HZ
108	AW-22228	1	POWER CORD,13A,250V IEC 60320,
109	AW-24059	1	POWERCORD,250V 15A AUS/NZ
110	AW-25664	1	POWER CORD,16A/250V,2.5m,CHINE
245	LT-24020	1	POSTER,ASSY,525T
269	AX-23655	1	KIT,INSTALL,HARDWARE,525T
400	AX-23656	2	STANDOFF,M-F,3-8-16 THREAD,1.9
401	AX-23657	2	STANDOFF,M-F,3-8-16 THREAD,1.0
402	FS-23071	1	BRACKET,POWER CORD RETAINING
404	HS-22651	20	BOLT,3-8-16-.75 BHCS,ZN
405	HX-00440	1	HEX KEY 7-32IN.
406	HX-21519	1	PIN,PLASTIC RETAINIER

525T LED Console

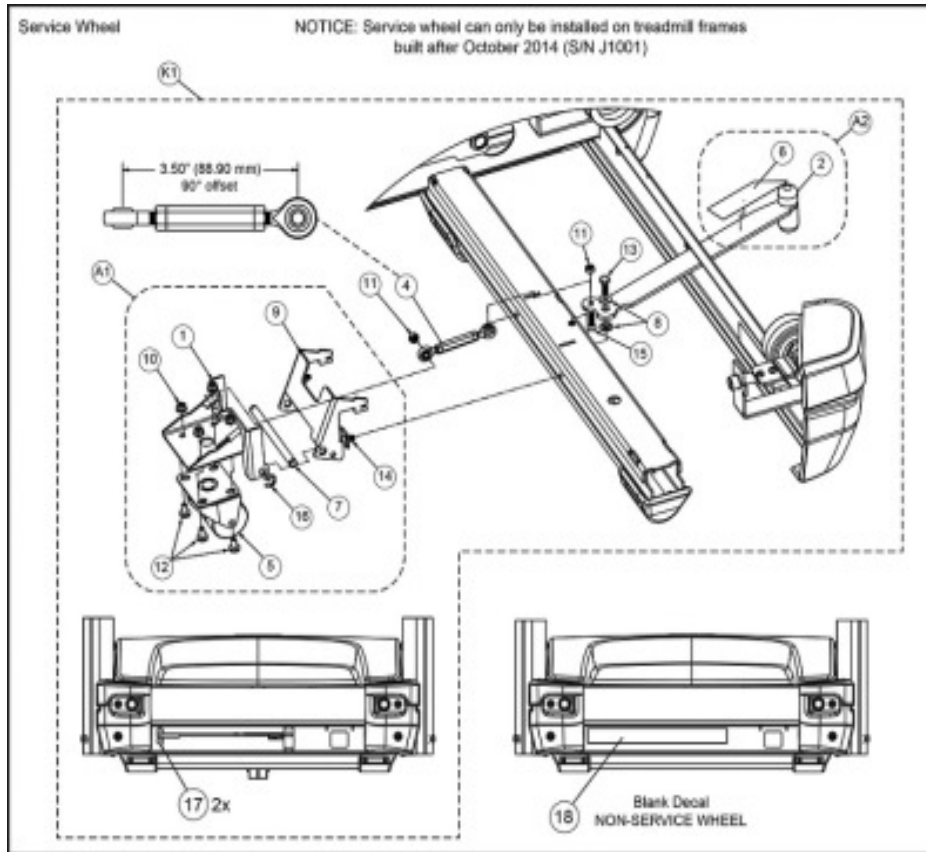


Ref #	Part Number	Qty	Description
K3	KAD-24319	1	Kit 525T Disp Bd w/Enu
K8	KPL-24322	1	KIT,BEZEL W-KEYPAD,DECAL 525T Custom
10	CP-23199	1	USB 2.0 FLASH DRIVE,BLANK CDW 424820 for kit PKCP-23201
K13	PKAD-24628	1	KIT,MCC REPLACEMENT 525T
200	525AT-393	1	PCA, LED UPPER DISPLAY BOARD, 525
201	AD-23678	1	NC R&R PCA,MCC UNPROG,AV,525T
202	AF-23633	1	WELDMENT,CONSOLE 525T
203	770A-379	1	SENSOR, HEART RATE COMBO
214	AW-23866	1	CABLE,525T E-STOP SWITCH
218	770A-397	2	GRIP, CHR, TOP
219	770A-398	2	GRIP, CHR, BOTTOM
221	AX-24103	1	ASSY,LANYARD,ESTOP KEY
225	DE-23639	1	DECAL,ESTOP-HEADPHONE JACK,525
226	525AT-399	1	DECAL, IPOD TRAY
231	AF-24475	1	PLATE,GROUNDING,MCC,525
234	HS-15706	1	SCREW,8-16X.50,PNHD,STL,BLK ZN CLR,TYP WB
235	HS-18311	1	SCREW,8-16X.75,PNHD PHIL,STL,B
236	HS-18320	1	SCREW,6-19X1-2 in,PNHD PHIL,ZN
237	HS-20306	4	SCREW,6-20X1.12 PNHD PHIL TYPE
238	HS-21672	1	SCREW 8-32-1/2in TT TRILOBULAR
239	HS-22816	2	SCREW,10-14 X .75,PLASTITE,STL

Ref #	Part Number	Qty	Description
240	HS-23922	1	SCREW,#6-19X5/16 PLASTITE, PHI
241	HS-23923	1	SCREW,#4-19X1/4 PLASTITE, PHIL
242	HS-41187	1	SCREW SLFTP,8-16X.3125,PLASTITE
244	HX-23491	1	CLIP,CABLE CLAMP,9-16in DIA,NY
246	PL-20230	1	END CAP,CONTACT GRIP
247	770A-328	1	BACK TAB, SMALL CONSOLE, LEFT
248	770A-329	1	BACK TAB, SMALL CONSOLE, RIGHT
250	525AT-321	1	CONSOLE REAR, EPEM, 525
251	525AT-322	1	E-STOP HOUSING, 525
252	PL-23670	2	CUP HOLDER
253	PL-23676	1	JUNCTION COVER, UPRIGHT, LEFT
254	PL-23679	2	END CAP,HANDRAIL
255	PL-23684	1	JUNCTION COVER,UPRIGHT,RIGHT
256	525AT-334	1	PLUG, IPOD CABLE OPENING, 525
257	PL-24065	1	CLIP,IPAD
258	770A-386	1	THUMB SWITCH, LEFT, INCLINE
259	SW-24136	1	SWITCH,THUMB CONTROL,RIGHT,SPE
268	HS-20361	2	SCREW SLFTP 8-16X2-1/2in PLAST
302	525AT-389	1	DECAL, UPPER DISPLAY MASK, LEFT, 525
303	525AT-376-4	1	LABEL, UPPER DISPLAY MASK, LEFT
304	DE-23630-4	1	LABEL,UPPER DISPLAY MASK RIGHT
305	DE-23636-4	1	LABEL,WARNING MAIN,525T,ENG
306	DE-23637-4	1	LABEL,WARNING CENTER,525T,ENG
307	DE-23764-4	1	LABEL,CONSOLE CENTER 525T,ENG

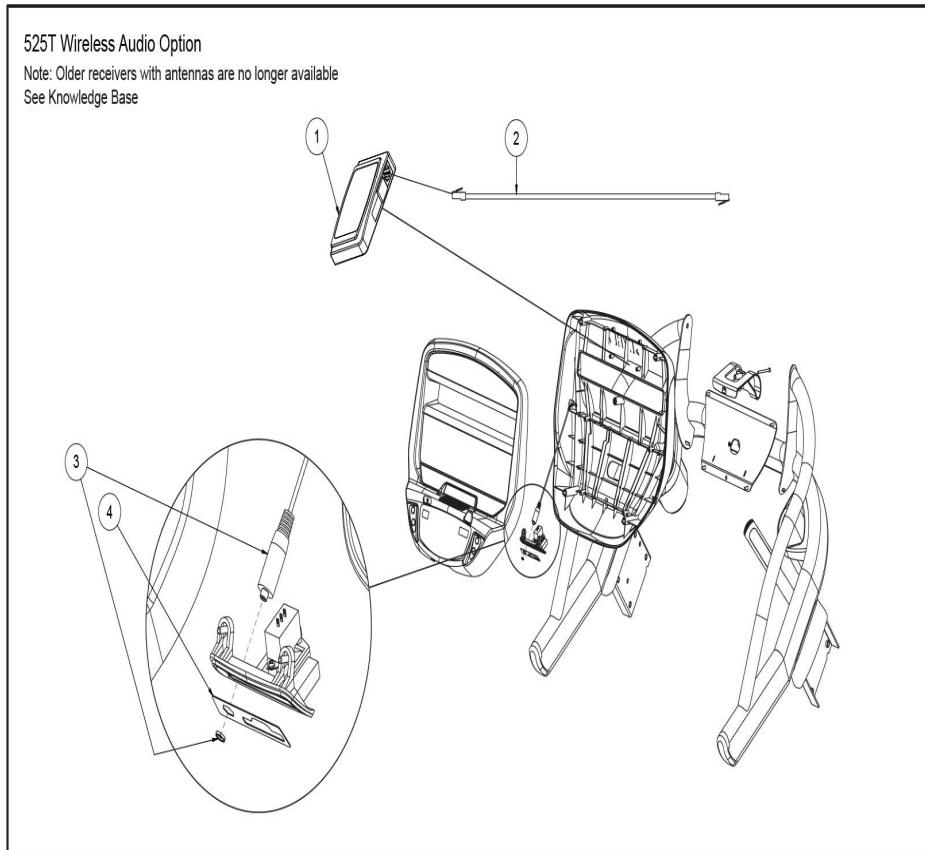
Ref #	Part Number	Qty	Description
100C	AD-23914	1	CONTROLLER,115 IP,PFC
102B	PKMR-24819	1	Kit,Elevation Motor 220v,525T
102A	PKMR-24818	1	KIT,ELEVATION MOTOR 115V,525T
103A	SW-19667	1	SWITCH,THERMAL CB,20AMP 240V,R
103B	SW-19666	1	SWITCH,THERMAL CB,15AMP 240V,R
110	HX-25594	2	RING RETAINING EXT,3-8 IN SHAF
111	FM-24429	1	SHAFT,ELEVATION,LOWER
402	FS-23071	1	BRACKET,POWER CORD RETAINING

525T Service Wheel



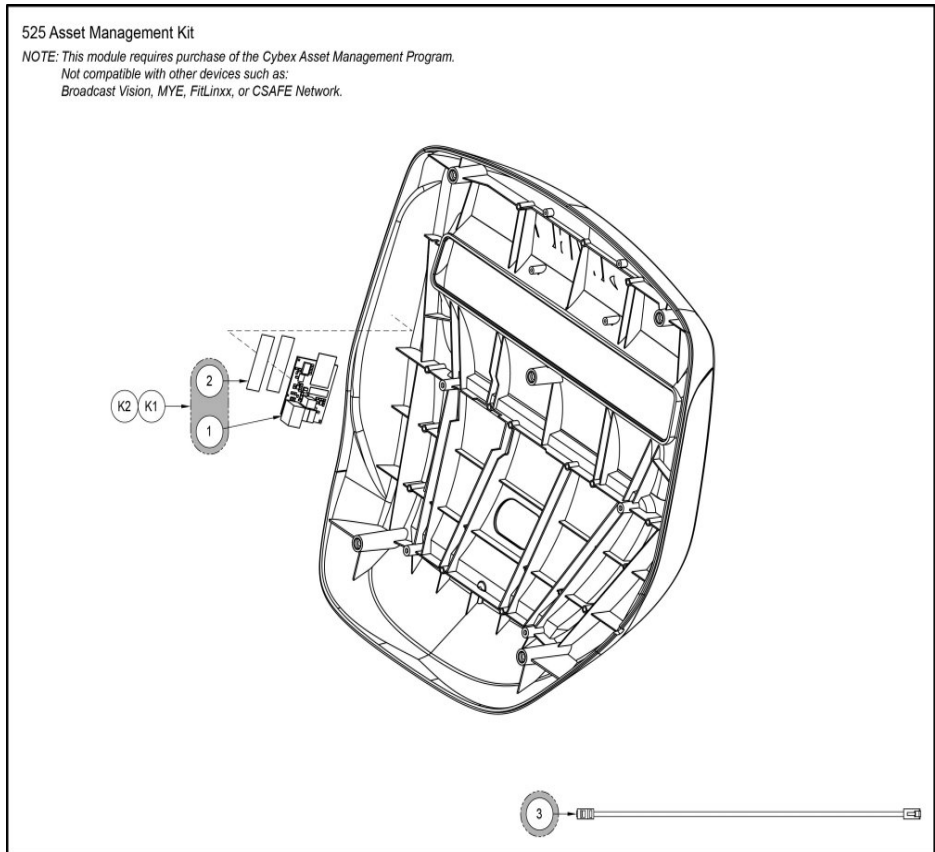
Ref #	Part Number	Qty	Description
A1	AX-25575	1	ASSY,BRKT,SERVICE WHEEL 525T,6
1	AF-24996	1	WELD,BRKT WHEEL MOUNT,525T,625T,770T
K1	KAX-25579	1	KIT,SERVICE WHEEL,525T
2	AF-25002	1	WELD,LEVER,SERVICE WHEEL,625T 770T 790T
A2	AX-25577	1	ASSY,HANDLE,SERVICE WHEEL 525T
4	AX-24987	1	ASSY,ROD END,SERVICE WHEEL
5	CW-25006	1	CASTOR,SWIVEL,SERVICE WHEEL
6	DE-25047-4	1	DECAL,PROTECTIVE,SLIDE LEVER,E
7	FM-24997	1	PIN,BRKT,3RD WHEEL
8	FM-24999	2	SPACER,PIVOT
9	FS-24994	1	BRKT,FRAME PIVOT,SERVICE WHEEL
10	HN-12079	4	KEPS 1-4-20 HEX STL ZINC
11	HN-25189	1	NUT,NYLOCK M6X1,YELLOW ZN
12	HS-16875	4	BOLT SEMS,1-4-20X.5,PNHD PHIL,
13	HS-25017	1	BOLT,1-4X20X3-4,HXHD STL ZN GR
14	HS-25020	1	SCREW,TT,1-4X-20X1-2" PNHD PHI
15	HS-25111	1	SCREW,M6X1-22MM,FLHD,SOC CAP,S
16	HX-24689	2	RETAINING RING,3-8 SHAFT,E TYP
17	HX-25018	2	BUMPER,RUBBER,ROUND PUSH-IN
18	DE-25046	1	DECAL,REAR ROLLER GUARD

525T Wireless Audio Option



Ref #	Part Number	Qty	Description
1	770A-390	1	MODULE, RF 900 MHZ FM US
2	AW-23501	1	CABLE,CAT5E 18in
3	525AT-311	1	CABLE, HEADPHONE JACK JMPR
4	525AT-391	1	DECAL, HEADPHONE JACK, 525 ACR

525_Asset_Management_Kit_After_J10



Ref #	Part Number	Qty	Description
1	OAD-25136V	1	PCA, ELECT IMP AWN SLDR MOD, US
1	OAD-25138V	1	PCA, ELECT IMP AWN SLDR MOD, EU
K1	KU-25238	1	UPGRADE KIT,AWM,IMP, 525 625 7
2	OHX-25109	1	TAPE, DBL SIDED, VHB, 1.0X.25X.120THK
K2	KU-25239	1	UPGRADE KIT,AWM,IMP, 525 625 7
3	770A-411	1	CABLE, CATSE, 18

