

530S STEPPER

530S-02

Parts Manual

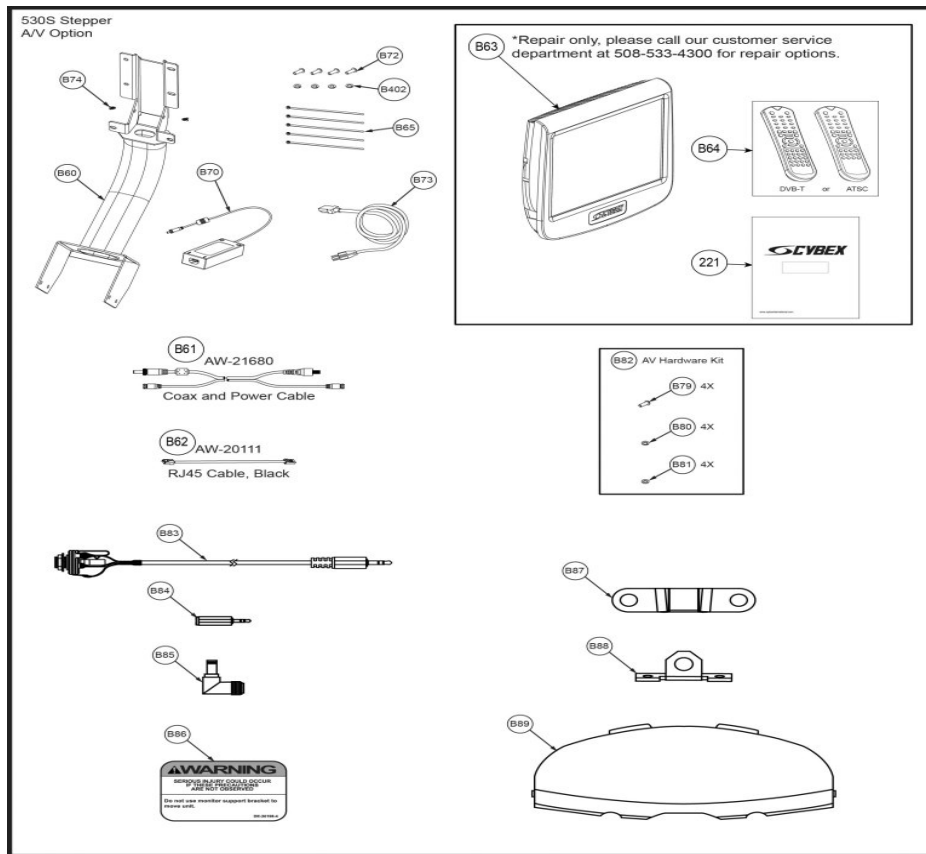
1/5/2019 4:46:25 AM



Table of Contents

[530S AV Option](#).....3
[530S Base Covers](#).....5
[530S Cables](#).....6
[530S Console \(After C10-04\)](#).....7
[530S Drive Sprocket](#).....9
[530S Flywheel](#).....10
[530S Frame](#).....11
[530S Motor Assembly](#).....13
[530S Not Shown](#).....14
[530S Pedals and Arms](#).....15
[530S Upright](#).....17

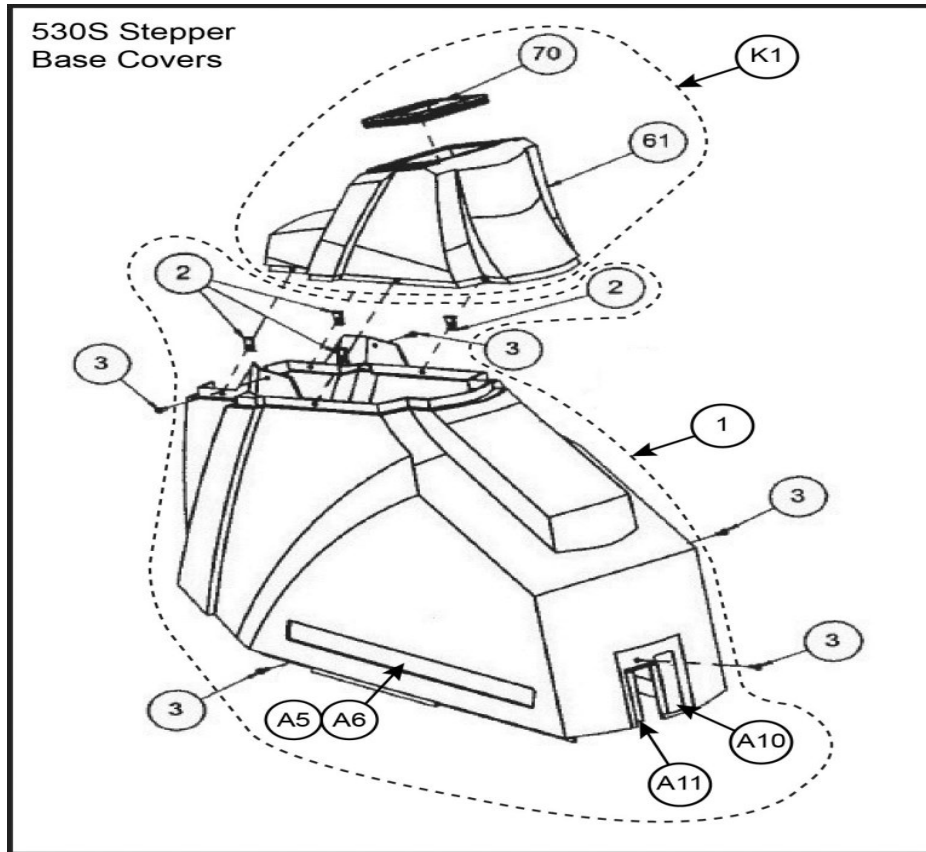
530S AV Option



Ref #	Part Number	Qty	Description
B60	AF-21147	1	WELD,PEM MNT,2ND GEN,530S
B61	AW-21680	1	CABLE,750A 4XXT,LOCKING RF&DC POWER
B62	AW-20111	1	CABLE,5E BONDED PAIR RJ45 ROUN
B63	CP-20794	1	Monitor, CYBEX, 15, ATSC/NTSC
B63	CP-20665	1	Monitor CYBEX 15 SECAM/PAL
B64	CP-21531	2	NLA: REMOTE CONTROL,HANDSET,DIGITAL
B65	EH-00986	1	TY WRAP,T B TYB-25M 9 in
B70	TR-20203	1	POWER SUPPLY,12VDC,12-24VAC,6.
B72	HS-11347	1	BOLT,1-4-20X0.75,SCHD BTN,BLK
B73	AW-14007	1	POWER CORD,115V,60HZ PWR SUPPLY IEC320 (SJT)
B73	AW-22229	1	POWER CORD,10A,250V IEC 60320
B73	WR-14012	1	POWER CORD,230V,10A,CEE 7-7,2M PN: 199-000
B73	AW-20193	1	POWER CORD,250VAC 10A,2.5M IEC
B73	AW-20192	1	POWER CORD,100V,50HZ,2.5M IEC-
B74	EH-10291	1	TY WRAP BASE
B79	HS-20731	4	SCREW,M4X10,SCHD,STL,BLK,HEAT
B80	HW-20214	4	WASHER,FLAT,M4
B81	HW-21285	4	WASHER,SPLIT LOCK M4,STEEL ZN
B82	KCP-21286	1	SERVICE KIT,MONITOR MOUNTING H
B83	AW-17694	1	CABLE AUDIO 1/4 in To 3-1/2 MM
B84	CN-17687	1	ADAPTER,1-4 PLUG TO 1-8 JACK

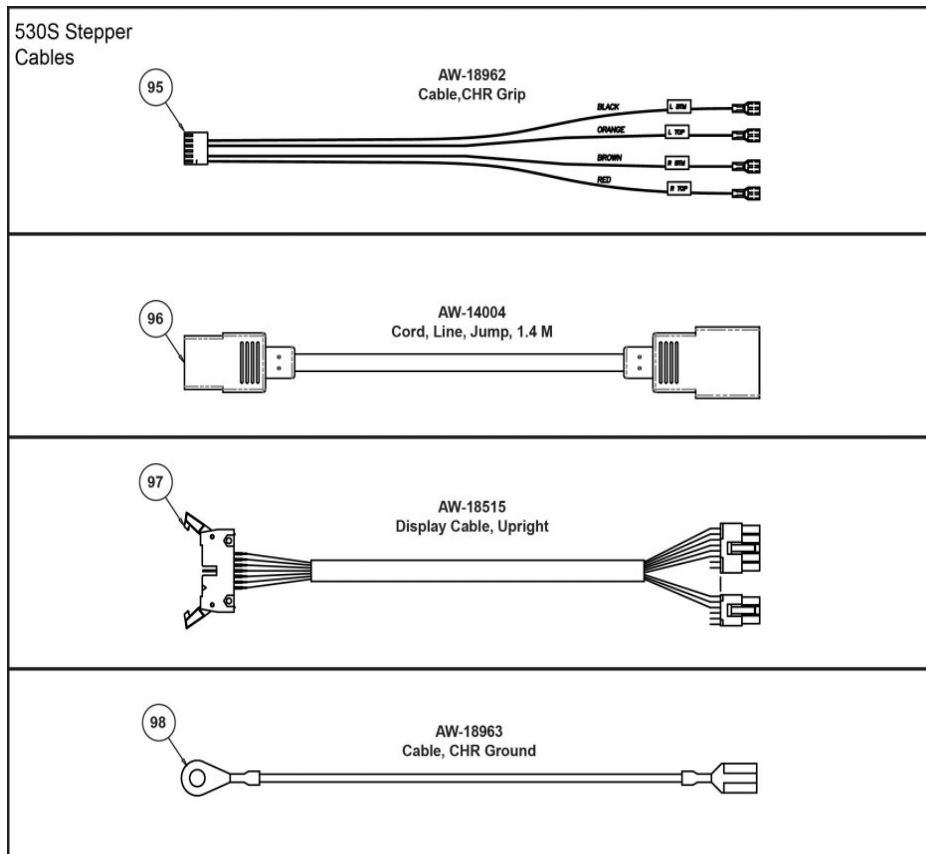
Ref #	Part Number	Qty	Description
B85	CN-20449	1	ADAPTER,RT ANGLE,2.1MM MALE DC JACK,2.5MM FEMALE DC PLUG
B86	DE-20198-8	1	LABEL,WARNING AV 530C 530R 530
B86	DE-20198-6	1	LABEL,WARNING AV 530C 530R 530
B86	DE-20198-4	1	LABEL,WARNING AV 530C 530R 530
B86	DE-20198-1	1	LABEL,WARNING AV 530C 530R 530
B86	DE-20198-3	1	LABEL,WARNING AV 530C 530R 530
B86	DE-20198-7	1	LABEL,WARNING AV 530C 530R 530
B86	DE-20198-2	1	LABEL,WARNING AV 530C 530R 530
B87	FS-17698	1	CLAMP,HEADPHONE ADAPTER
B88	FS-18082	1	BRACKET,HEADPHONE JACK MOUNT
B89	PL-20746	1	COVER,REMOVABLE,CYBEX MONITOR
221	LT-21788	1	MANUAL,DVB-T PEM CP-21073
221	LT-21264	1	MANUAL,ATSC PEM CP-21072
B402	HW-00180	1	WSHR LOCK SPLIT 1-4,SST,BLK PASSIVATE

530S Base Covers



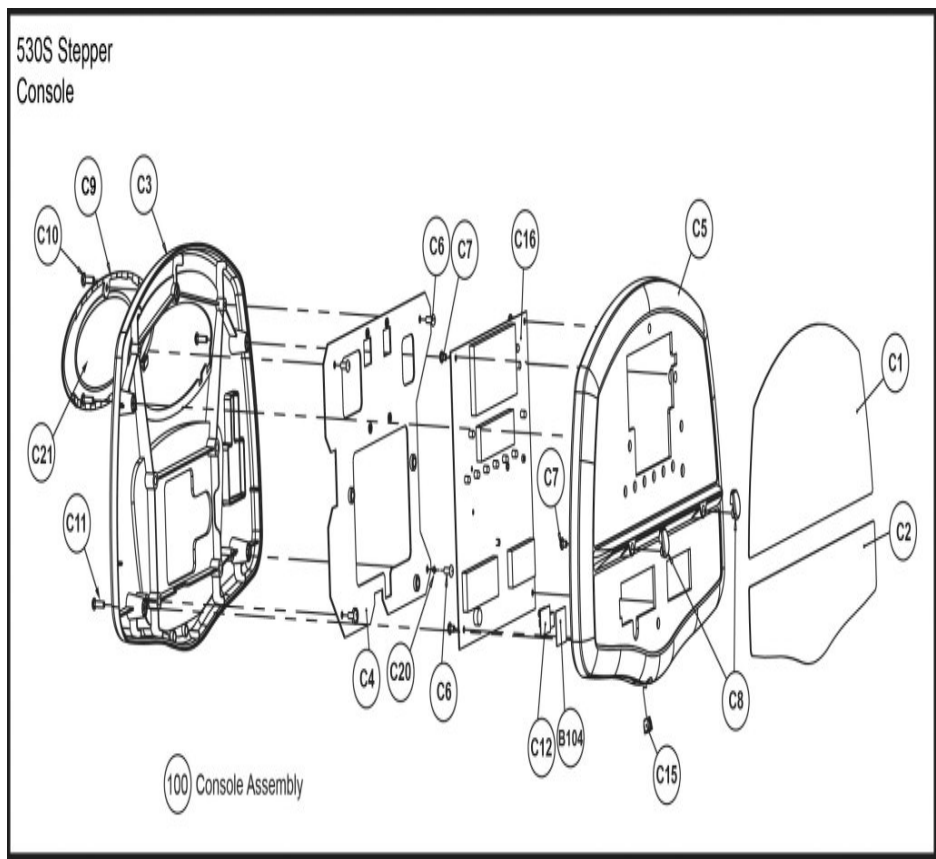
Ref #	Part Number	Qty	Description
K1	AX-62011B	1	ASSY COVER UPRIGHT COLLAR 800
1	AX-62066B	1	ASSY COVER 800S BLACK
2	HN-42035	2	NUT UTYPE 10-24 RELIEFNOTCH .100-.125THR
3	HS-41006	5	SCREW SLFTP,10-24X.5,PNHD PHIL,410SS,HRDBO,WAX,TT
A5	DE-51755	1	LABEL COVER LEFT 800S
A6	DE-51756	1	LABEL COVER RIGHT 800S
A10	DE-18959	1	*LABEL,SWITCH PLATE 530S ETL C
A11	PL-50111	1	BEZEL SWITCH 800S-800S-CT
61	PL-36016B	1	COLLAR UPRIGHT COVER 800S
70	HX-50032	1	GASKET UPRIGHT-COLLAR

530S Cables



Ref #	Part Number	Qty	Description
95	AW-18962	1	CABLE,CHR GRIP,530S
96	AW-14004	1	CORD,LINE JUMP (SVT) 1.4M
97	AW-18515	1	CABLE,530S UPPER CONSOLE
98	AW-18963	1	CABLE,CHR CHASSIS GND,530S

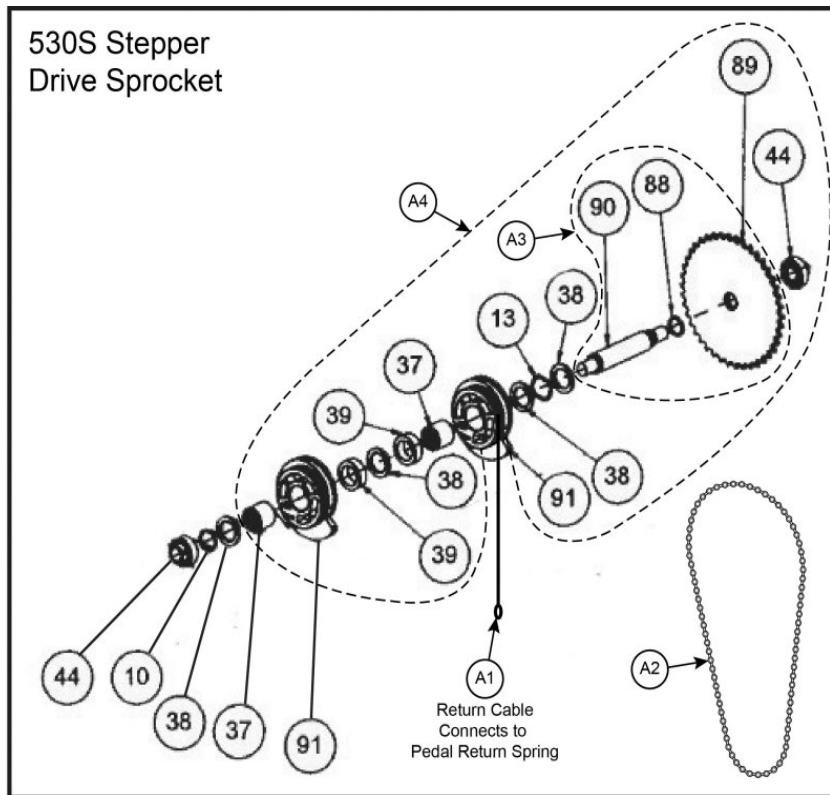
530S Console (After C10-04)



Ref #	Part Number	Qty	Description
C1	SW-21454	1	Keypad 530S Top
C2	SW-18806-3	1	MEMBRANE,530S,BTM WO-AV,SPA
C2	SW-18805-4	1	MEMBRANE,530S,BTM W-AV,ENG
C2	SW-18806-7	1	MEMBRANE,530S,BTM WO-AV,SWE
C2	SW-21455	1	Keypad 530S BOT wAV
C2	SW-18806-6	1	MEMBRANE,530S,BTM WO-AV,JAP
C2	SW-18806-2	1	MEMBRANE,530S,BTM WO-AV,FRE
C2	SW-18806-1	1	MEMBRANE,530S,BTM WO-AV,GER
C3	PL-21847	1	CONSOLE,REAR PLASTIC (ABS)
C4	AF-18076	1	PLATE,CONSOLE,MOUNTING
C5	PL-21846	1	CONSOLE,FRONT PLASTIC (ABS)
C6	HS-15706	1	SCREW,8-16X.50,PNHD,STL,BLK ZN CLR,TYP WB
C7	HS-41187	1	SCREW SLFTP,8-16X.3125,PLASTITE
C8	PL-17686	2	TAB,BOOK HOLDER
C9	AX-19169-8	1	ASSY,CONSOLE DOOR COVER,RUS
C9	AX-19169-2	1	ASSY,CONSOLE DOOR COVER,FRE
C9	AX-19169-4	1	ASSY,CONSOLE DOOR COVER,ENG
C9	AX-19169-1	1	ASSY,CONSOLE DOOR COVER,GER
C10	HS-16939	1	SCREW SEMS,10-32X.75,PNHD,BLK
C11	HS-18311	1	SCREW,8-16X.75,PNHD PHIL,STL,B
C12	EC-19236	1	SENSOR,WIRELESS HR RCVR
C15	HX-17711	1	PLUG,HOLE,PLASTIC 7-16 BLACK bisco #2488

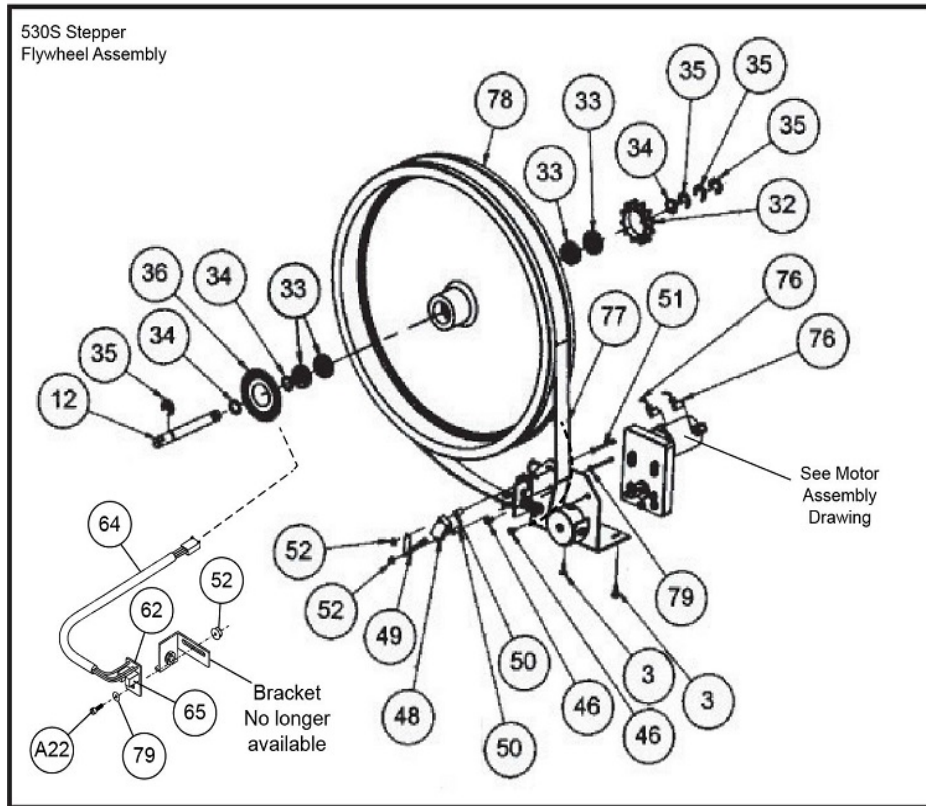
Ref #	Part Number	Qty	Description
C16	AD-19138-Q	1	PCA,530S DISPLAY
C20	HW-10856	1	WSHR,LOCK EXT NO10 ZC
C21	DE-19218-4	1	LABEL,ERROR CODES,530S,ENG
100	AC-19056-7	1	ASSY,CONSOLE,530S,SWE
100	AC-19056-1	1	ASSY,CONSOLE,530S,GER
100	AC-19056-8	1	ASSY,CONSOLE,530S,RUS
100	AC-19056-4	1	ASSY,CONSOLE,530S,ENG
100	AC-19056-6	1	ASSY,CONSOLE,530S,JAP
100	AC-19056-3	1	ASSY,CONSOLE,530S,SPA
100	AC-19056-2	1	ASSY,CONSOLE,530S,FRE
B104	HX-17788	1	TAPE,DBL SIDED, .032THK

530S Drive Sprocket



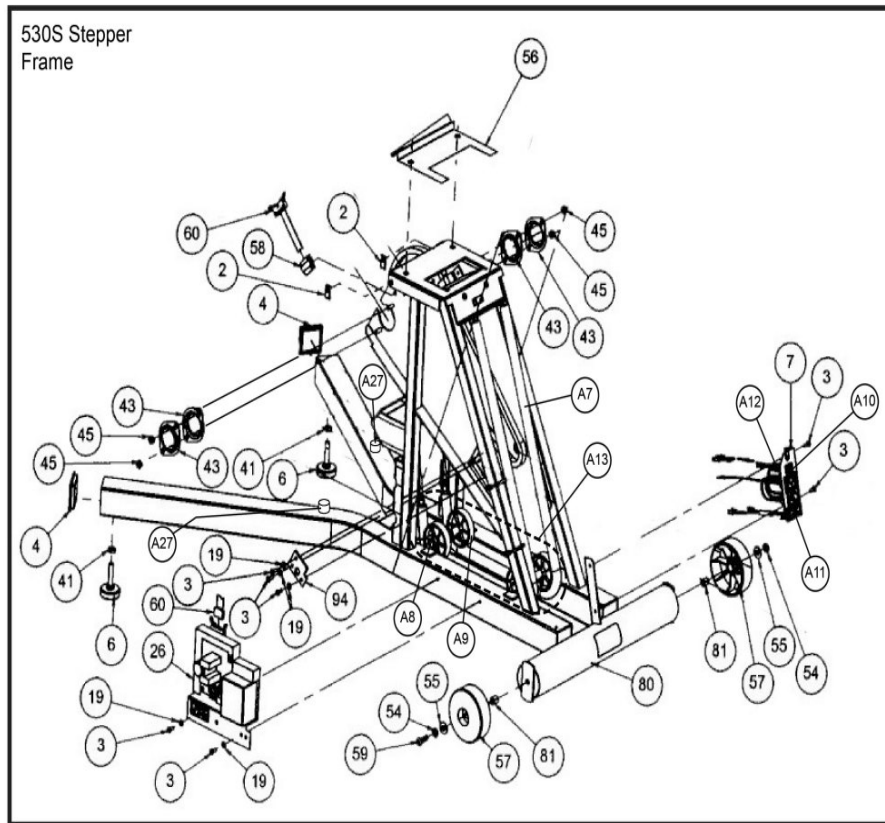
Ref #	Part Number	Qty	Description
A1	AW-45030	1	CABLE RETURN SPRING C-206
A2	AX-45027	1	CHAIN NO.41 39.5IN W-LINK
A3	AX-61374	1	ASSY CLUTCH SHAFT SPROCKET
A4	SK-16763	1	SERVICE KIT, STEPPER CLUTCH SHA
10	HX-43206	1	RETAINING RING EXTERNAL 25MM 5
13	HW-40004	1	WAVE SPRING WASHER 1INID
37	HB-44007	2	CLUTCH ROLLER 25MM
38	HB-44002	4	BEARING THRUST 1ID X 1-8 THK
39	FM-44034	2	SPACER 1.5 X.5 NYLON S-034
44	HB-44052	2	BALL BEARING 17MM DIA W-(2) SE
88	FS-43143	1	SPACER CLUTCH C-190
89	HX-46026	1	SPROCKET 42 TOOTH C-210
90	FM-I-51459	1	SHAFT CLUTCH STEPPER
91	AX-61355	2	NLA: ASSY CLUTCH PULLEY V5 C-220

530S Flywheel



Ref #	Part Number	Qty	Description
3	HS-41006	2	SCREW SLFTP,10-24X.5,PNHD PHIL,410SS,HRDBO,WAX,TT
12	FM-51460	1	AXLE FLYWHEEL C-209
A22	HS-41014	1	SCREW,4-40X.3125,FILHD SLT,ZN
32	HX-46003	1	SPROCKET FLYWHEEL 41B12 C-157
33	HB-44015	3	BEARING 2 SEALS R8
34	HW-43021	3	WASHER .750OD X .505ID X .032
35	HX-43196	4	RETAINING RING E TYPE 5133-50
36	DE-51609	1	RPM DISC FABRICATION CLIMBERS
46	HS-41041	2	SCREW SLFTP,8-32X.375,PNHD PHI
48	SK-17520	1	SERVICE KIT,700S 800S SLACK SW
49	SW-33007	1	ACTUATOR MICRO SWITCH
50	HX-43147	2	SPACER NO.4 X 1-2
51	HS-41123	1	SCREW,4-40X1.25,PNHD SLT,ZN
52	HN-42021	2	NUT 4-40 CONICAL KEP WASHER Z
62	AD-10012	1	PCB RPM2 C-086A
64	AW-61007	1	CABLE RPM C-081-1
65	SW-24005	1	OPTO SWITCH SLOTTED OPB860N55
76	AW-14142	2	CABLE,MOTOR
77	BD-45028	1	FRICTION BELT C-175 PC-CM
78	FW-54008	1	NC R&R Flywheel, Machined
79	HW-43003	1	WASHER HDS 3.5

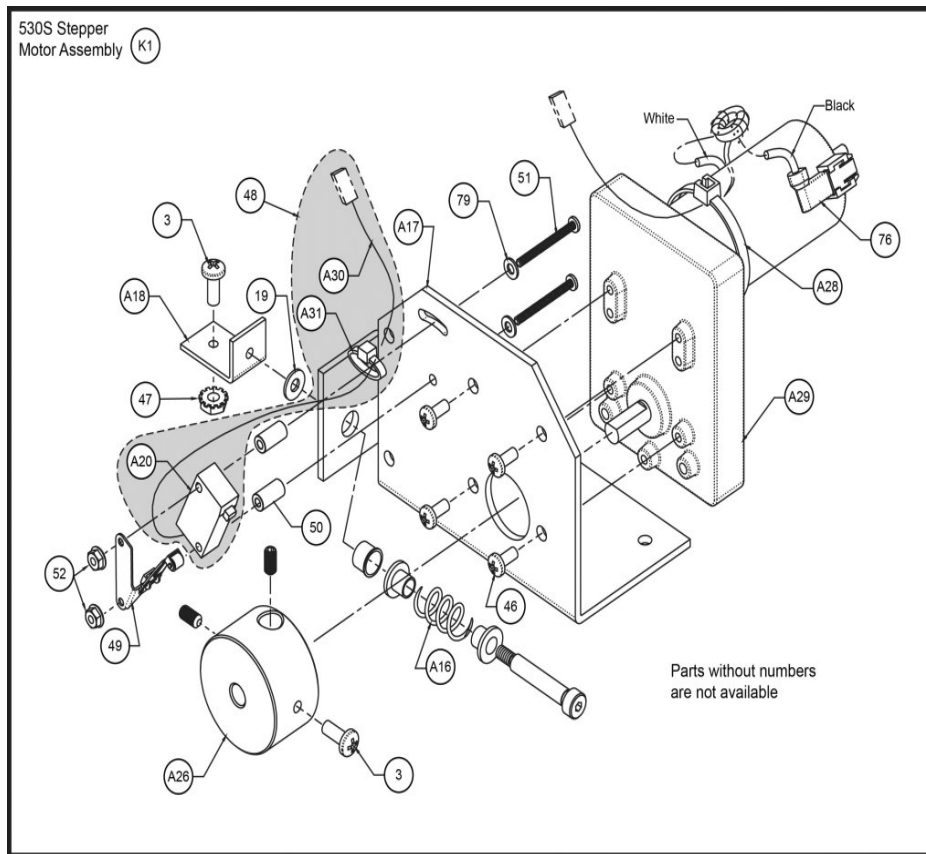
530S Frame



Ref #	Part Number	Qty	Description
2	HN-42035	2	NUT UTYPE 10-24 RELIEFNOTCH .100-.125THR
3	HS-41006	7	SCREW SLFTP,10-24X.5,PNHD
4	HX-40030	2	CAP TUBE 2X2 11 GAUGE PLASTIC
6	PL-40008	2	GLIDE 3-8-16 THREAD 1-11-16 DIA BASE
A7	HX-40027	1	SPRING 3-4 OD REDCD ENDS C-132
7	AX-19021	1	ASSY SWITCHPLATE 530S
A8	FM-51093	1	AXLE 3-8 X 5.5 SPRING PULLEY
A9	PW-05036	1	PULLEY SPRING W-O SPACER C-07
A10	DE-18959	1	*LABEL,SWITCH PLATE 530S ETL C
A11	PL-50111	1	BEZEL SWITCH 800S-800S-CT
A12	EF-33017	1	FUSE 1-4A 5X20MM
A13	HX-71028	1	NLA KIT UPGRADE SPRING PULLEY TO
19	HW-43011	4	WASHER HDS-5 3-16 DIAMETER BE
26	AX-19512-Q	1	ASSY,530S CONTROLLER COMPLETE
A27	HX-05041	2	BUMPER STUD 5-16-18 THREAD
41	HN-42007	2	NUT 3-8-16 JAM ZINC
43	HB-44053	4	BEARING FLANGE PARALLEL
45	HN-42040	4	NUT 1-4-20 KEP SS
54	HW-53018	2	WASHER 5-16 SPLIT SS,BLK
55	HW-53017	2	WSHR FLAT,5-16,SS,BO
56	FS-50125	1	SHIELD CM3000 DRIP

Ref #	Part Number	Qty	Description
57	CW-50026	2	NLA: WHEEL FRONT MOLDED
58	EH-42703	1	CLAMP RIBBON CABLE
59	HS-41126	1	BOLT,5-16X1.0,BTHD,SST,BLK
60	AW-18616-Q	2	CABLE,DISPLAY FRAME MOUNTED
80	AF-55010	1	WELDMENT FRAME 800S
81	FM-51215	2	SPACER BOTTOM ROLLER SIDE Y-06
94	FS-51050	1	CLAMP FLYWHEEL C-131

530S Motor Assembly

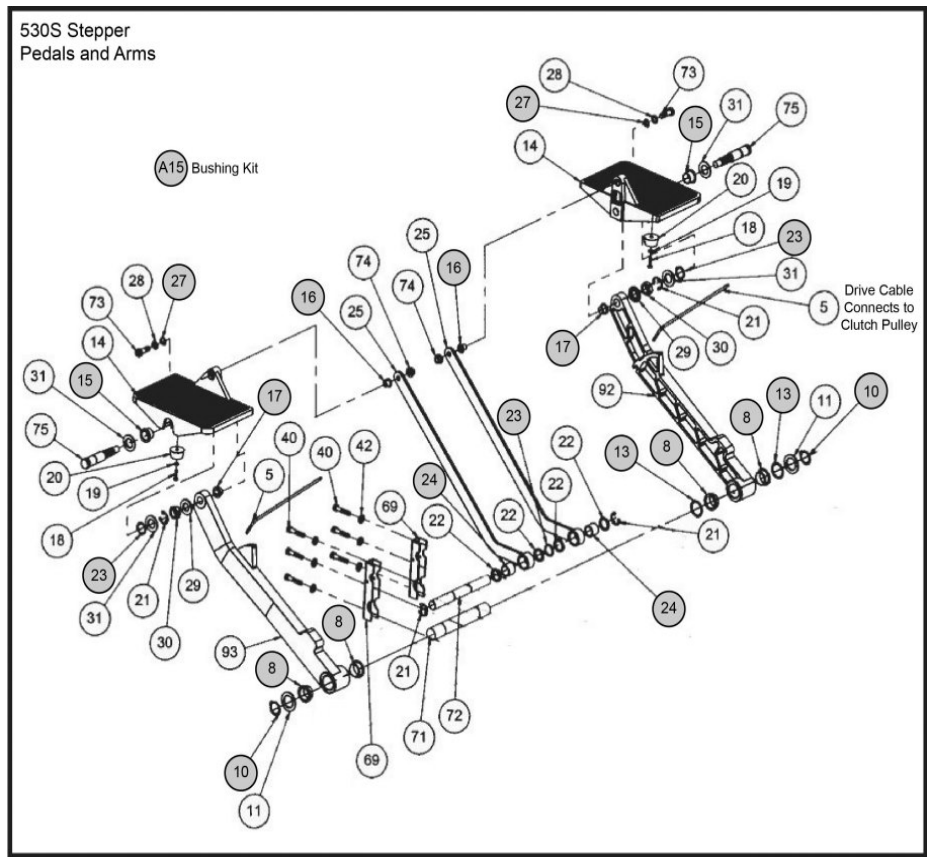


Ref #	Part Number	Qty	Description
K1	SK-16423	1	NLA: 700S 800S MOTOR ASSY
3	HS-41006	2	SCREW SLFTP,10-24X.5,PNHD PHIL,410SS,HRDBO,WAX,TT
A16	HX-40028	1	SPRING C0480-045-0880-M
A17	FS-51458	1	BRACKET MOTOR C-010J
A18	FS-51055	1	ANGLE BRACKET C-144
19	HW-43011	1	WASHER HDS-5 3-16 DIAMETER BE
A26	PW-46023	1	PULLEY BELT C-025
A28	EH-42704	1	CABLE TIE 8IN
A29	MR-36005	1	MOTOR MK 20RPM S-4325
A30	AW-16775	1	CABLE,SLACK SWITCH
A31	EH-42714	1	CABLE TIE 5.5IN
46	HS-41041	1	SCREW SLFTP,8-32X.375,PNHD PHI
47	HN-42023	1	NUT 10-24 KEP ZINC
48,A20	SK-17520	12	SERVICE KIT,700S 800S SLACK SW
49	SW-33007	1	ACTUATOR MICRO SWITCH
50	HX-43147	1	SPACER NO.4 X 1-2
51	HS-41123	1	SCREW,4-40X1.25,PNHD SLT,ZN
52	HN-42021	1	NUT 4-40 CONICAL KEP WASHER Z
76	AW-14142	2	CABLE,MOTOR
79	HW-43003	1	WASHER HDS 3.5

530S Not Shown

Ref #	Part Number	Qty	Description
-	LT-18938-4	1	MANUAL,530S,ENG
-	LT-18938-6	1	MANUAL,OWNERS,530S,JAP
-	HN-42020	1	PUSHNUT 3-8 DIAMETER
-	HW-43041	1	WASHER 10.4MM X 5MM LENGTH NYL
-	LT-18938-3	1	MANUAL,OWNERS,530S,SPA
-	LT-18938-7	1	MANUAL,OWNERS,530S,SWE
-	LT-19246	1	POSTER,ASSY,530S
-	HX-43123	1	SPACER 3-8ID X 1-2OD X 1L NYLO
-	LT-18938-1	1	MANUAL,OWNERS,530S,GER
-	LT-18938-8	1	MANUAL,OWNERS,530S,RUS
-	AX-19202	1	KIT,INSTALL HARDWARE,530S
-	LT-18938-2	1	MANUAL,OWNERS,530S,FRE
-	SK-17520	1	SERVICE KIT,700S 800S SLACK SW

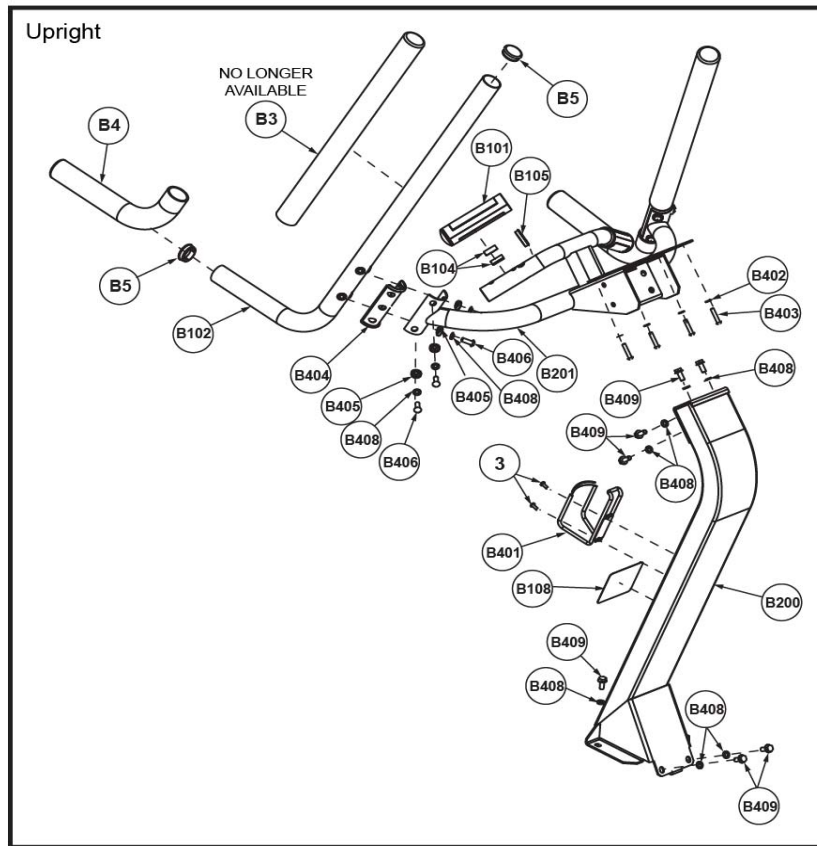
530S Pedals and Arms



Ref #	Part Number	Qty	Description
5	AW-45031	2	CABLE CRANK ARM C-207
8	HB-44058	4	BEARING FLANGED 1X1-1-8X1-2 SP
10	HX-43206	2	RETAINING RING EXTERNAL 25MM 5
11	HW-40031	2	WASHER THRUST CRNK ARM DWG C
13	HW-40004	2	WAVE SPRING WASHER 1INID
14	AX-61357	2	ASSY PEDAL V5 C-222
A15	AX-71115	1	SERVICE KIT,CLIMBER BUSHING
15	HB-44024	2	BUSHING 3-4ID X 7-8OD X 5-8L F
16	HB-44026	2	BUSHING 3-8ID X 15-32OD X 1-2L
17	HB-44025	2	BUSHING 1-2ID 19-32OD 1-2L FLA
18	HS-41109	2	SCREW SLFTP,10-24X.75,PNHD,SST
19	HW-43011	2	WASHER HDS-5 3-16 DIAMETER BE
20	HX-05127	2	BUMPER PEDAL
21	HX-19091	4	RING,RETAINING,E-RING, .75"SHA
22	HW-43025	4	WASHER 3-4ID X .124 THICK NYLO
23	HW-40005	3	WAVE WASHER 3-4 ID
24	HB-44009	2	BEARING OLITE 3-4X15-16X3-4
25	AX-61032	2	ASSY PARALLEL ARM 3-4 BEARING
27	HX-40002	2	SPRING WASHER 3-8 DIA. CURVED
28	HB-44027	2	BEARING THRUST 3-8X1-16 TT60
29	HW-43028	2	WASHER VS-16 5-8 IN
30	HN-42030	2	NUT 5-8-16 HEX JAM SS

Ref #	Part Number	Qty	Description
31	HW-43031	4	WASHER C-153
40	HS-24081	2	BOLT,5-16X1.50,HXHD,STL, ZN,GR
42	HW-43042	1	WSHR,HDS-8 5-16 (8MM) BELLEVIL
69	FS-51171	2	Clamp, Crank, Pivot
71	FM-51461	1	SHAFT CRANK ARM C-107
72	FM-51462	1	SHAFT PARALLEL ARM C-116
73	HS-41043	2	BOLT PEDAL,3-8
74	HN-42043	2	NUT 3-8-16 FLANGED SS BO
75	SK-19101	2	SERVICE KIT,CLIMBER PEDAL SHAF
92	AX-61365	1	ASSY CRANKARM LEFT
93	AX-61366	1	ASSY CRANKARM RIGHT

530S Upright



Ref #	Part Number	Qty	Description
3	HS-41006	2	SCREW SLFTP,10-24X.5,PNHD
B3	HX-19015	1	NO LONGER AVAILABLE (GRIP,UPPER HANDRAIL)
B4	HX-19014	1	GRIP,LOWER HANDRAIL
B5	HX-40066	2	PLUG 1-1-2 DIA FLAT 16GA
B101	SK-17827	1	SERVICE KIT,530T HR GRIPS
B102	AX-19050	1	ASSY,HANDRAIL,530S
B104	HX-17788	2	TAPE,DBL SIDED, .032THK
B105	HX-18974	1	SEAL,HR GRIPS
B108	DE-19237-2	1	LABEL,WARNING,530S,FRE
B108	DE-19237-4	1	LABEL,WARNING,530S,ENG
B108	DE-19237-8	1	LABEL,WARNING,530S,RUS
B200	AF-19057	1	WELDMENT,UPRIGHT TUBE
B201	SCK-18796	1	WELDMENT,DISPLAY UPRIGHT
B401	HX-19167	1	CUP HOLDER,6.0MM ALLOY CAGE
B402	HW-00180	1	WSHR LOCK SPLIT 1-4,SST,BLK PASSIVATE
B403	HS-18127	1	BOLT,1-4-20X1.25,BHCS,SS,BLK
B404	PL-54001	1	INSULATOR 800-S CT HANDLE
B405	HW-54000	2	WASHER SHOULDER TUBE 5-16
B406	HS-11350	1	BOLT,5-16-18X1.0,SCHD BTN,BLK
B408	HW-00165	8	WSHR SPLIT LOCK 5-16 ZINC
B409	HS-17544	6	BOLT SLFTP,5-16-18X.75,HXHD WS

