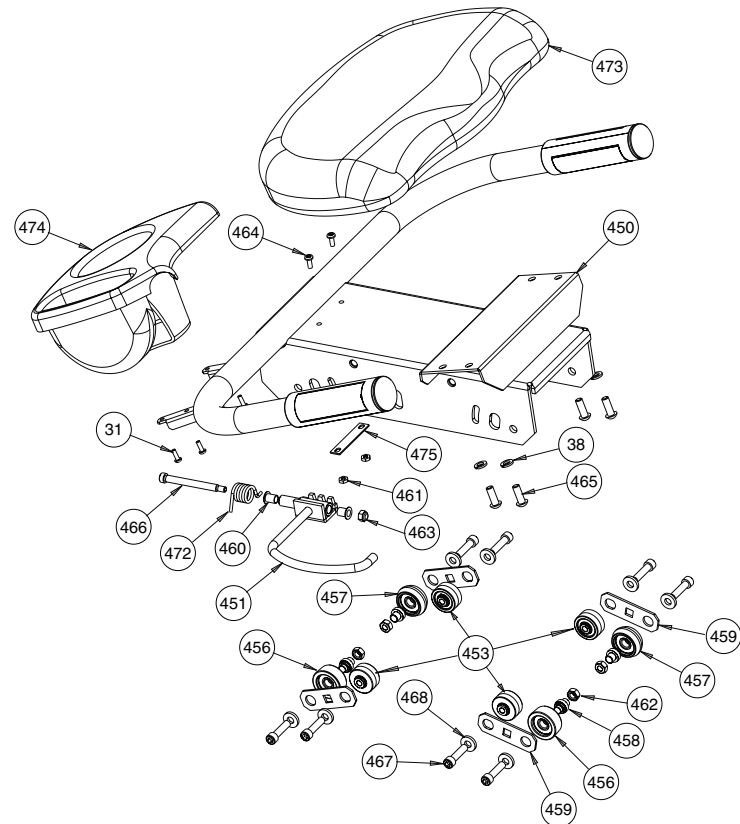
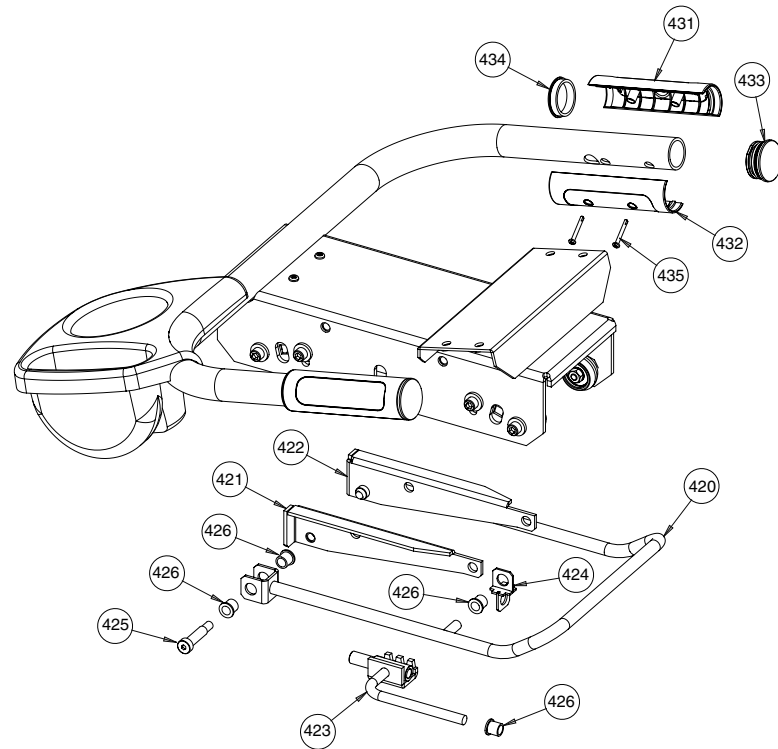


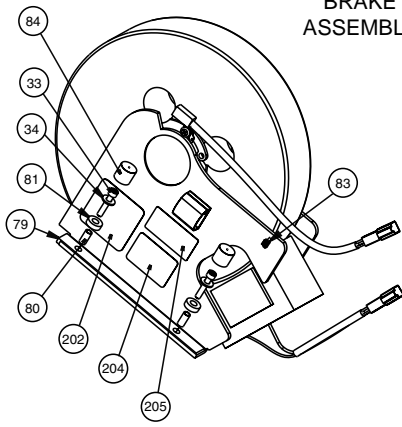
SEAT ASSEMBLY



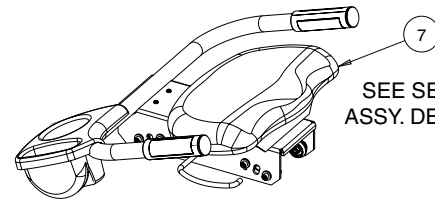
IFI SEAT ASSEMBLY



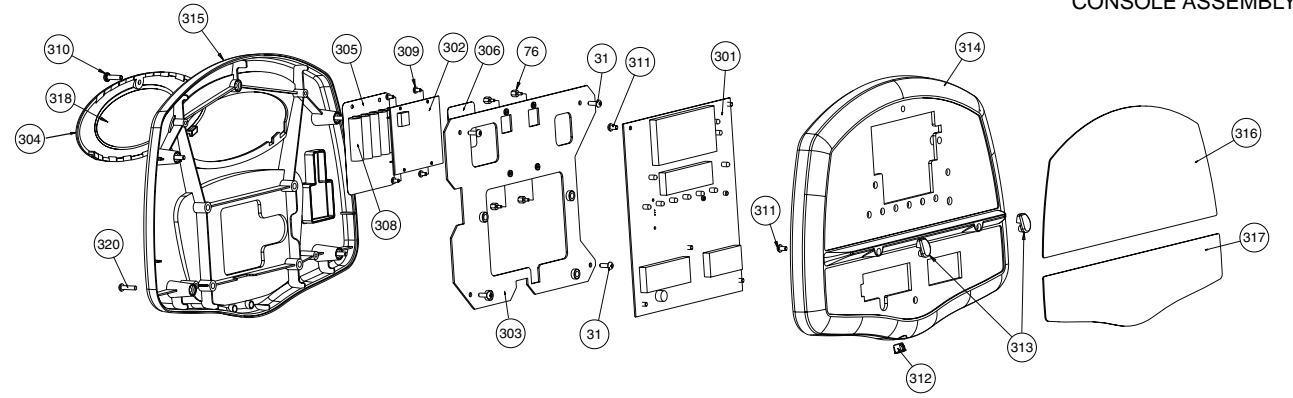
BRAKE ASSEMBLY



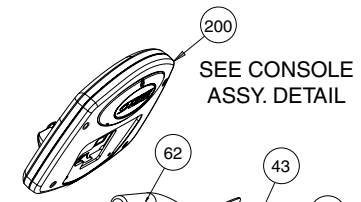
SEE SEAT ASSY. DETAIL



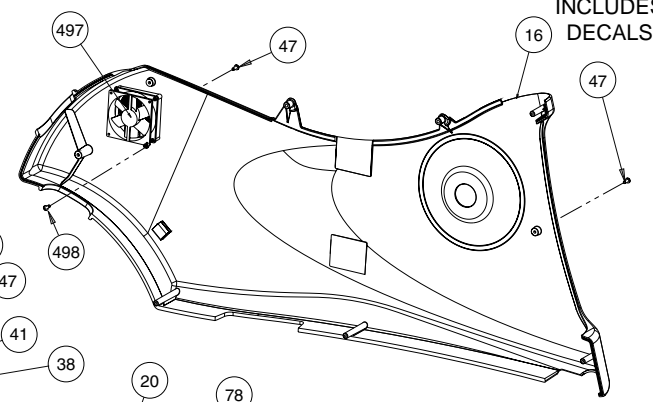
CONSOLE ASSEMBLY



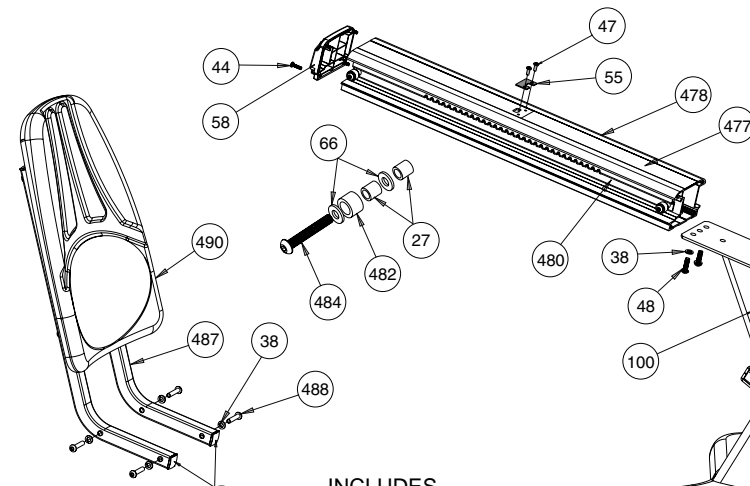
SEE CONSOLE ASSY. DETAIL



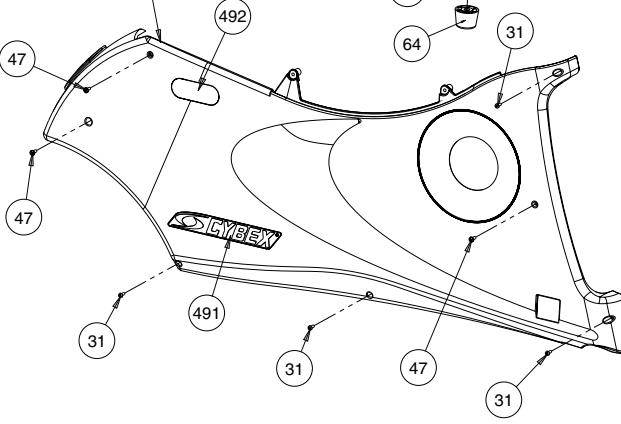
INCLUDES DECALS



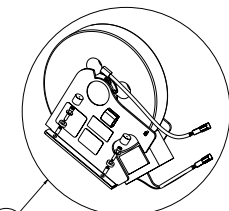
INCLUDES DECALS



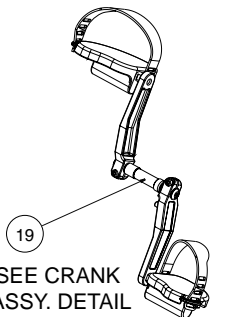
INCLUDES DECALS



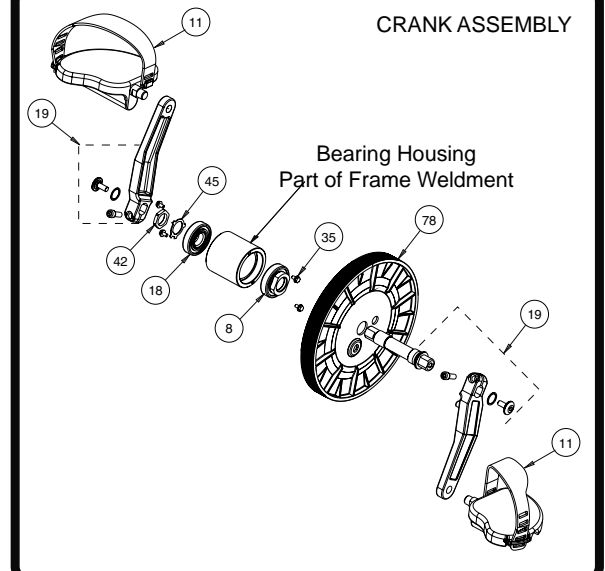
SEE BRAKE ASSY. DETAIL



SEE CRANK ASSY. DETAIL



CRANK ASSEMBLY



Bearing Housing Part of Frame Weldment

Parts List Cybox 530R Cybox

ITEM	QTY	PART NO.	DESCRIPTION
2	1	AD-17885	PCA, CONTROLLER, HYBRID BRAKE
3	1	AD-17886-Q	PCA, I/O BOARD
3	1	AD-18456-Q	PCA, I/O BOARD, A/V OPTION
6	1	AF-18164	PLATE, POWER JACK COVER
7	1	AX-17564	ASSY, SEAT SHUTTLE
8	1	AX-62031	ASSY, RIGHT CRANK BEARING
9	1	AX-18105	ASSY, IDLER, RIGHT
11	1	AX-18138	PEDAL SET, X-WIDE, 9-16" THREAD
11	1	HX-18903	PEDAL STRAP, RIGHT
11	1	HX-18904	PEDAL STRAP, LEFT
11	2	HX-18832	PEDAL STRAP, YELLOW, IFI
12	1	AX-18106	ASSY, IDLER, LEFT
13	1	AX-18262	ASSY, RIGHT SHROUD, 530R
16	1	AX-18263	ASSY, LEFT SHROUD, 530R
18	1	AX-62023	ASSY, LEFT CRANK BEARING
19	1	AX-17959	CRANK ASSY, 530
20	1	AX-17967	ASSY, SECONDARY PULLEY
21	1	SK-19459	BELT, POLY-V, 480J6, Secondary
22	1	SK-19457	BELT, POLY-V, 430J10, Primary
24	2	CW-50026	WHEEL, FRONT, MOLDED
25	1	EC-17877	SENSOR, POLAR WIRELESS REMOTE MOUNT
27	4	FM-51215	SPACER, BOTTOM ROLLER SIDE, Y-065
28	1	FS-18261	PLATE, CONSOLE CABLE CONNECTOR
30	1	FS-18205	COVER, LOWER CONTROLLER, 530R
31	12	HS-15706	SCREW, 8-16 X .50", PNHD, STL ,BLK ZN
32	4	HN-11136	KEPS, 5/16-18" HEX, STL, ZINC
33	4	HS-13765	SCREW, 10-32 X 1.0", SCHD, STL, ZN
34	4	HW-00123	WASHER, SAE NO.10, STL, ZINC
35	4	HS-18294	SCREW, SEMS, 10-32 X .38", SLOT HXHD
36	3	HS-18374	SCREW, SEMS, 6-32 X .875", PNHD PHIL
37	4	HS-18289	SCREW, SLFTP, #10 X 1.5", STL, ZN BLK
38	18	HW-53018	WASHER, 5/16", SPLIT, SS, BLK
40	4	HS-18127	BOLT, 1/4-20 X 1.25", BHCS, SS, BLK
41	4	HS-18183	BOLT, 5/16-18 UNC X .75", SCHD
42	1	HN-41157	NUT, 7/8-24", LH, 86A, ZN
43	4	HW-00180	WASHER, LOCK SPLIT, 1/4", SST, BLK PASS
44	4	HS-41109	SCREW, SLFTP, 10-24 X .75", PNHD, SST
45	1	HW-18176	WASHER, CRANK KEY
47	10	HS-41006	SCREW, SLFTP ,10-24 X .5", PNHD PHIL
48	8	HS-41126	BOLT, 5/16 X 1.0", BTHD, SST, BLK
49	1	HX-18449	TAPE, DOUBLE SIDED, 1.25 X 1.25 X .03"
51	1	HX-18024	SPRING, EXTENSION, .75" X .115 X 7", Silver
52	1	HX-18036	SPRING, EXTENSION, .50" X .072 X 6", Gold
53	4	HX-18133	RETAINING, E-RING, 5133-37
54	5	HX-14416	CLIP, WIRE LATCHING, 1 X 1"
55	1	PL-50118	CLAMP, CABLE CT
56	4	HS-12031	SCREW, SEMS, 10-32 X .62", PNHD PHIL
58	1	PL-18132	CAP, END, EXTRUSION

Cybox 530C and 530R Owner's Manual

ITEM	QTY	PART NO.	DESCRIPTION
59	1	PL-18235	CAP, FRONT, UNIVERSAL
60	1	HX-18287	PLUG, HOLE, PLASTIC 1", BLACK
62	2	HX-18180	GRIP, HANDRAIL
63	1	AX-18377	ASSY, EDDY CURRENT BRAKE W-GENERATOR
64	2	PL-05044	MOLDED FOOT GUIDE, B-060
65	2	HS-15763	BOLT, 1/4-20 X .375", FLAT HEAD, NYLOCK
66	6	HW-43042	WASHER, HDS-8, 5/16" (8MM) BELLEVILLE
68	1	AW-17895	CABLE, GENERATOR, 36.5", 530R (3 wires)
69	1	AW-17896	CABLE, BRAKE, 30", 530R (2 wires)
70	3	HX-18017	BUMPER, .5 X .14", HIGH, BLACK
72	1	AW-17993	CABLE, FRAME HARNESS, 530R
75	1	DE-14486	DECAL, SERIAL NUMBER, CYBEX
76	7	HX-18369	STANDOFF, HEX, NYLON 6-32 X 1/4"
77	1	AW-18364	CABLE, GROUND, LOWER, 530R
78	1	PW-17941	PULLEY, PRIMARY
79	2	HX-18357	STRIP, INSULATING
80	4	HX-18406	SLEEVE, INSULATING
81	4	HW-18356	WASHER, INSULATING
82	1	AW-18035	CABLE, CHR, FLAT FLEX, 530R
83	3	EH-00472	TY WRAP, TY-23M
84	4	HX-18407	CAP, ROUND, .563 ID X .54", Red
91	2	HW-53017	WASHER, FLAT, 5/16", SS, BO
100	1	AF-17986	WELDMENT, FRAME, 530R
101	1	AX-18800	WELDMENT, MID TUBE W/GRIPS, 530R
200	1	AC-18303-4	ASSY, CONSOLE, 530R, ENGLISH
201	1	AX-18296-4	ASSY, TOP CAP, 530R, ENGLISH
202	1	DE-18248-4	LABEL, CALIBRATION, BRAKE GEN, ENGLISH
203	1	DE-18186-4	DECAL, WARNING, ENG
204	1	DE-18362-4	DECAL, CAUTION, MOVING PARTS, ENGLISH
205	1	DE-18363-4	LABEL, WARNING HOT FLYWHEEL, ENGLISH
206	1	LT-18171-4	MANUAL, 530C, 530R, ENGLISH
207	1	LT-03051	SIGN, FACILITY SAFETY
301	1	AD-17872	PCA, 530, MAIN DISPLAY
302	1	AD-18025	PCA, BATTERY CHARGER, DISPLAY
303	1	AF-18076	PLATE, CONSOLE, MOUNTING
304	1	AX-18295-4	ASSY, CONSOLE BATTERY DOOR, ENGLISH
305	1	DE-18250-4	LABEL, BATTERY WARNING, ENGLISH
306	1	DE-18253-4	DECAL, C-SAFE PORT, ENGLISH
308	5	EC-17871	BATTERY, AA NIMH, 1800+ MAH
309	4	HS-11894	SCREW, SEMS, 6-32 X .25", PNHD PHIL
310	1	HS-16939	SCREW, SEMS, 10-32 X .75", PNHD, BLK ZN
311	7	HS-41187	SCREW, SLFTP, 8-16 X .3125", PLASTITE
312	1	HX-17711	PLUG, HOLE, PLASTIC 7/16", BLACK
313	2	PL-17686	TAB, BOOK HOLDER
314	1	PL-18077	CONSOLE, FRONT PLASTIC
315	1	PL-18078	CONSOLE, REAR PLASTIC
316	1	SW-17887-4	MEMBRANE, 530, TOP, ENGLISH
316	1	SW-20703-4	MEMBRANE, 530, TOP, ENGLISH, IFI
317	1	SW-18273-4	MEMBRANE, 530, BTM, W-0 AV, ENGLISH
317	1	SW-20702-4	MEMBRANE, 530, BTM, W-0 AV, ENGLISH, IFI
318	1	DE-18249-4	DECAL, ERROR CODES, ENGLISH
319	1	PL-18079	COVER, BATTERY

Cybox 530C and 530R Owner's Manual

ITEM	QTY	PART NO.	DESCRIPTION
320	4	HS-18311	SCREW, 8-16 X .75", PNHD PHIL, STL, BLK
340	1	AW-18160	CABLE, CONSOLE HARNESS, 530R
350	1	AW-18365	CABLE, GROUND, UPPER, 530R
363	1	AF-18104	BRKT, SPRING TENSIONER, RIGHT
364	4	HB-18056	BUSHING, FLANGE, .375 X .469 X .25"
365	2	HB-18059	IDLER WHEEL, 1.88 X 1.15"
366	2	HN-42043	NUT, 3/8-16", FLANGED, SS, BO
367	1	AF-18053	BRACKET, SPRING TENSIONER, LEFT
373	1	FM-54075	RACE, CRANK, LEFT
374	2	HB-44062	BEARING, RADIAL BALL, 30 MM, W-SEALS
375	1	FM-54074	RACE, CRANK, RIGHT
420	1	AF-20726	HANDLE, RECUMBENT IFI
421	1	AF-20719	BRACKET, HANDLE MOUNT, RIGHT, RECUMBENT IFI
422	1	AF-20720	BRACKET, HANDLE MOUNT, LEFT, RECUMBENT IFI
423	1	AF-20727	LEVER, SEAT ADJUSTMENT, RECUMBENT IFI
424	1	AF-20758	WELDMENT, 90 DEG CONNECT, RECUMBENT IFI
425	1	HS-20730	SCREW, SHEILD, 3/8 DIA. X 1.25 X 5/16-18"
426	4	HB-20728	BEARING, FLANGE, NYLON 3/8" DIA. SHAFT
431	2	AX-19669	GRIP, HR TOP, IN-MOLDED
432	2	AX-19670	GRIP, HR BOTTOM, IN-MOLDED
433	2	PL-20230	END CAP, CONTACT GRIP
434	2	HX-18974	SEAL, HR GRIPS
435	4	HS-20306	SCREW, 6-20 X 1.12" PNHD, PHIL
450	1	AF-17552	WELDMENT, SEAT SHUTTLE, 530R
451	1	AF-18000	WELDMENT, SHUTTLE HANDLE
452	1	AX-17578	ASSY, CONTACT GRIP, PAIR
453	4	AX-18148	ASSY, SEAT SHUTTLE WHEEL
454	1	AW-17882	CABLE, CHR GRIPS, 530R
456	2	CW-18141	WHEEL, LOWER RIGHT, TAPERED
457	2	CW-18144	WHEEL, LOWER LEFT, BEVELED
458	4	FM-18143	SPACER, LOWER SHUTTLE WHEEL
459	4	FS-18023	PLATE, WHEEL TENSION ADJUSTER
460	2	HB-18121	BUSHING, FLANGED, PLASTIC, 5/16 ID"
461	2	HN-11925	KEPS, 10-32, HEX, STL, ZN
462	4	HN-18252	NUT, 5/16-18", PREVAILING TORQUE
463	1	HN-60558	NUT, NYLOC, .250-20, ZN, BLK
464	1	HS-18497	SCREW, 10-32 x .50", PNHD PHIL, BLK ZN
465	4	HS-18298	BOLT, 5/16-18 X .88", BTHD CAP, SS, BL
466	1	HS-18089	BOLT, SHEILD, 5/16 X 2.75", SCHD
467	8	HS-18358	BOLT, 5/16-18 X .1.25", SCHD CAP, BLK
468	8	HW-18123	WASHER, .344 ID X .75 OD X .125", THICK
472	1	HX-18168	SPRING, TORSION, SEAT SHUTTLE
473	1	PD-18166	SEAT, BOTTOM, 530R
474	1	PL-18122	ACCESSORY TRAY, 530R
475	1	PL-18204	CLAMP, FLAT CABLE COVER
477	1	DE-18288	LABEL, EXTRUSION
478	1	FM-18085	EXTRUSION, SEAT SHUTTLE
480	1	FS-18124	BRACKET, SEAT ADJUST RACK
482	2	HX-05082	BUMPER, SEAT LIMIT, BMR R-035
484	2	HS-41048	BOLT, 5/16-18 X 2", BTHD CAP, BLK OX
486	4	CA-40052	CAP, PLASTIC, 1 X 1", 10-14 GA.
487	2	FT-18080	TUBE, SEAT BACK, POWDER COATED

Cybex 530C and 530R Owner's Manual

ITEM	QTY	PART NO.	DESCRIPTION
488	4	HS-41107	BOLT, 5/16-18 X 1.5", BTHD, SST, BLK
490	1	PD-18177	SEAT BACK, 530R
491	2	DE-18243	LABEL, CYBEX
492	2	DE-18281	DECAL, MODEL NAME, 530R
497	1	SK-18450	FAN, 92 X 25 MM, 12V
498	4	HS-18320	SCREW, 6-19 X 1/2", PNHD PHIL, ZN
501	1	DE-18181-4	LABEL, 530 INSTRUCTIONS, ENGLISH
502	1	DE-18182-4	LABEL, HEART RATE ZONE, ENGLISH
NS	N/A	TR-18230	POWER ADAPTER, IEC-320, 220 VAC
NS	N/A	TR-18231	POWER ADAPTER, NEMA 5-15 PLUG, 115 VAC

