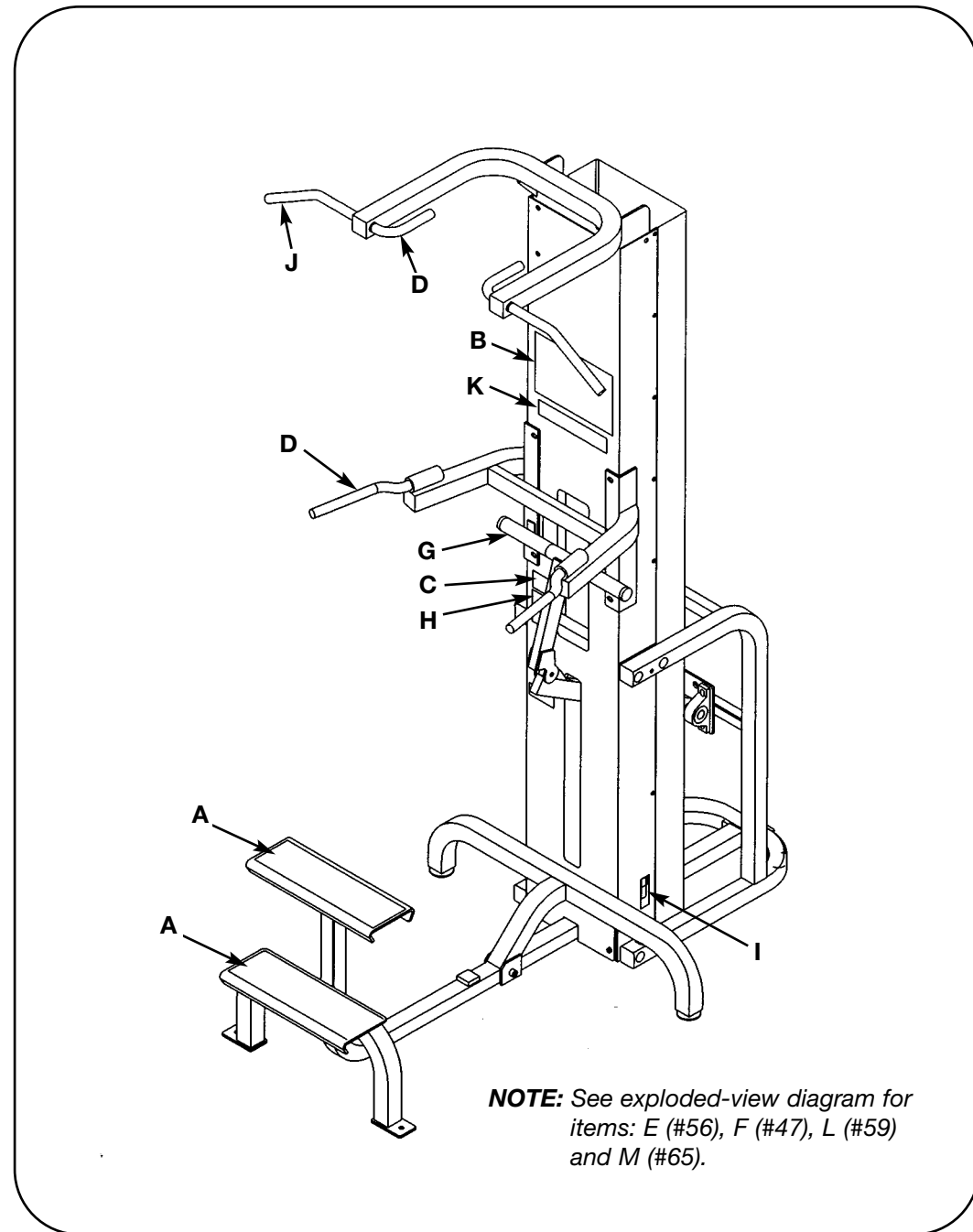


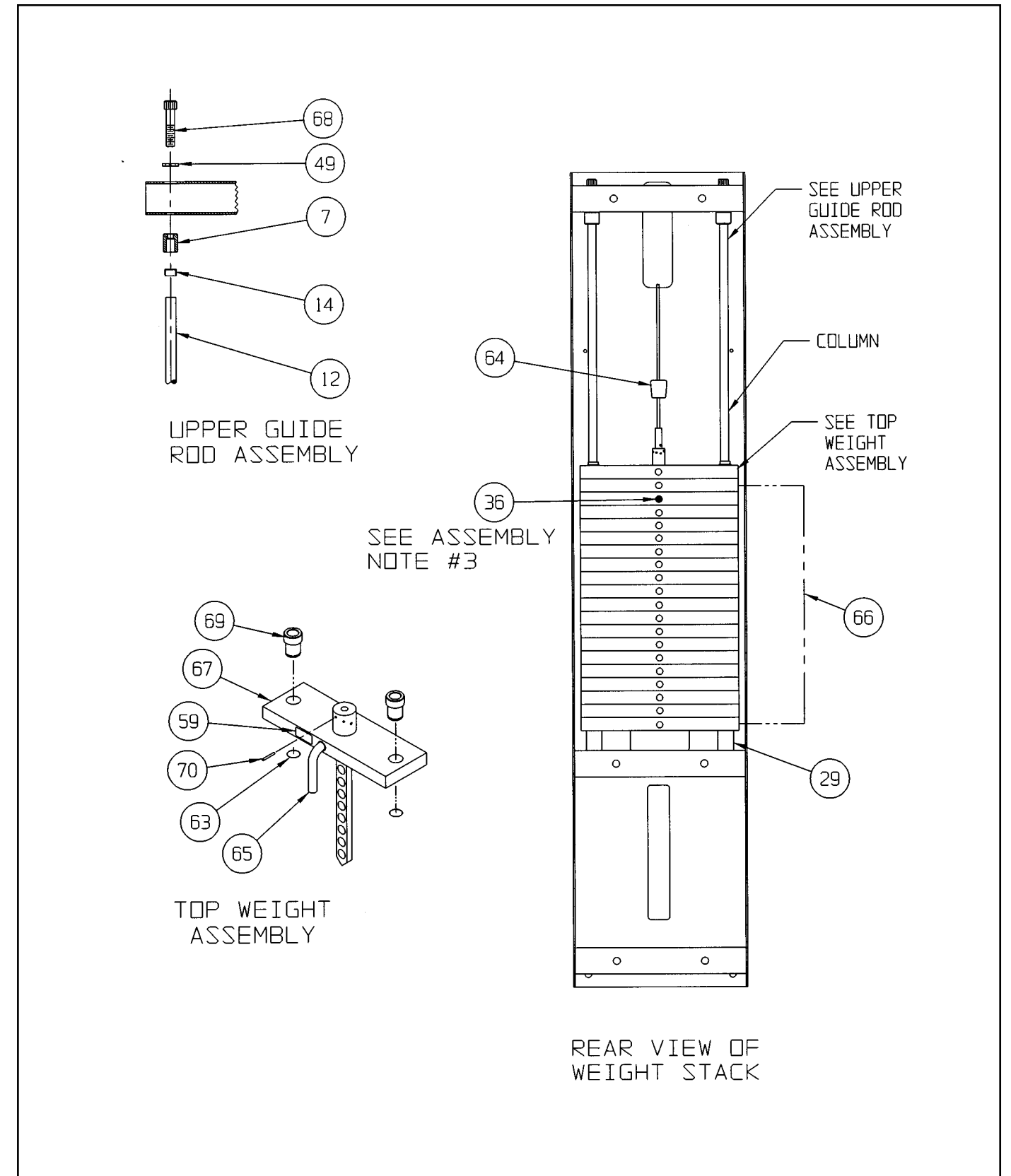
SINGLE STATION DIP/CHIN

5345

ASSEMBLY & PARTS



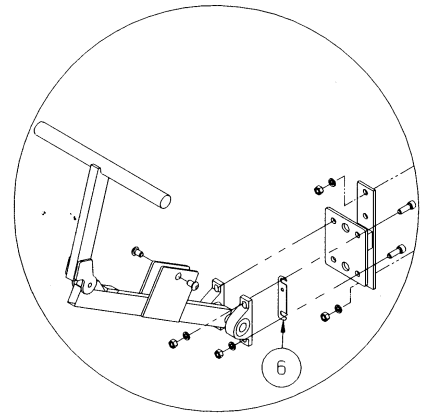
| DESCRIPTION | PART NO. | DESCRIPTION | PART NO. |
|------------------------------|----------|------------------------------|----------|
| A. Non-slip Fabric | 01186 | G. Rubber Grip | 5345-319 |
| B. Placard Decal..... | 01302 | H. Warning Decal..... | 02521 |
| C. Caution Decal | 4000Y316 | I. Serial Number Decal | |
| D. Foam Grip..... | 4055M028 | J. Grip | PR400201 |
| E. Cybex Decal Wht/Plm | 3900-378 | K. Warning Decal | 4800-381 |
| E. Cybex Decal Blk/Plm..... | 3900-391 | L. Weight Plate Decal | 4800-515 |
| E. Cybex Decal Wht/Wht | 3900-419 | M. Weight Selector Pin | 5310P044 |
| F. Cable Subassembly..... | 5345-002 | | |



CYBEX[®] International
Defining Fitness

5345 - Single Station Dip/Chin

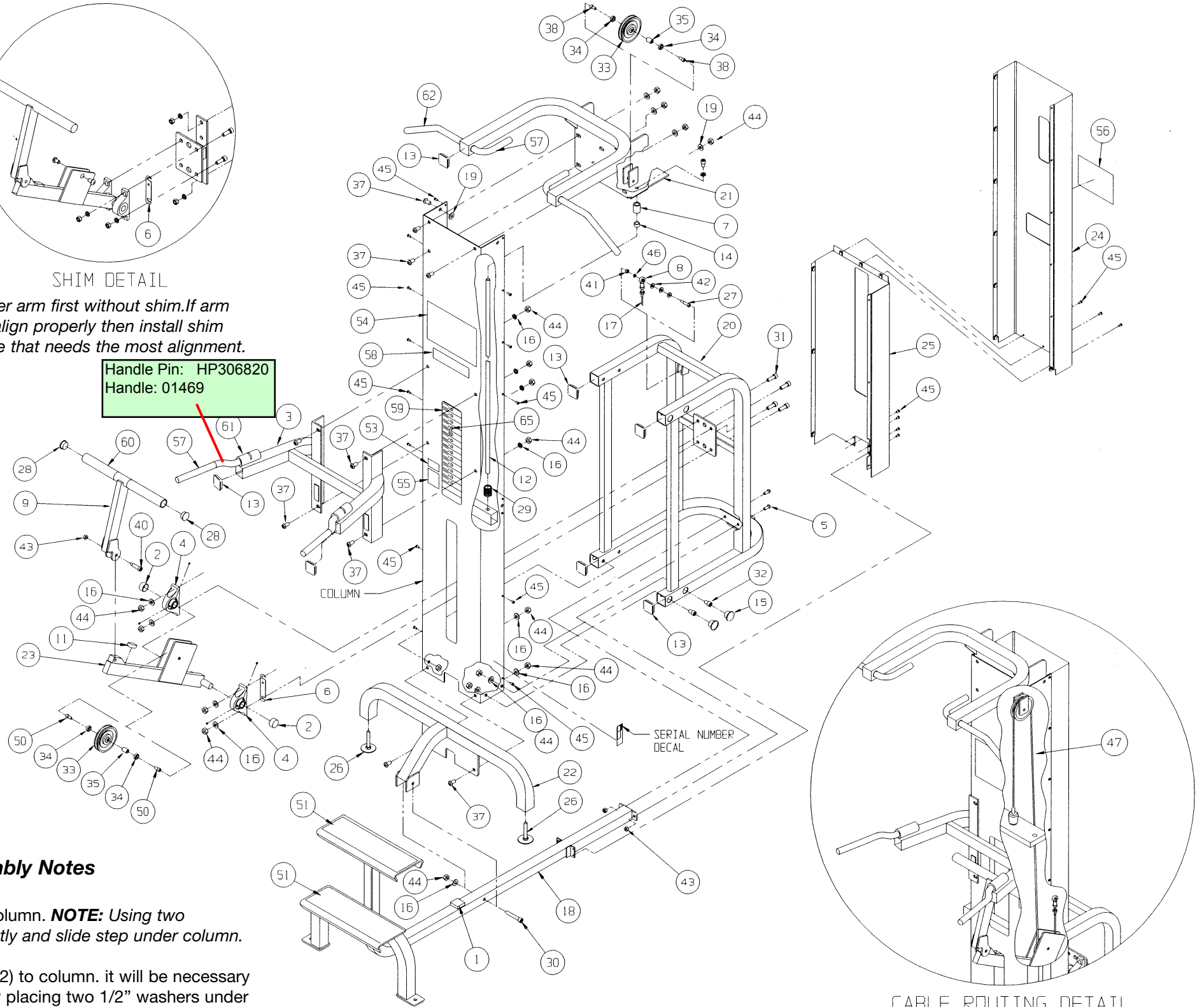
| ITEM | QTY | PART NO. | DESCRIPTION |
|------|-----|----------|-----------------------------------|
| 1 | 2 | PU060204 | Bumper |
| 2 | 2 | 01190 | Vinyl Black End Cap |
| 3 | 1 | 01167 | Arm Assembly |
| 4 | 2 | 4000-100 | Pillow Block Bearing |
| 5 | 2 | HC700417 | BHSCS .375-16 x 1.00 |
| 6 | 2 | 5580-324 | Shim |
| 7 | 2 | 01755 | Guide Rod Collet |
| 8 | 1 | FB030213 | Rod End Bearing |
| 9 | 1 | 5345-206 | Lever |
| 10 | | | Removed |
| 11 | 1 | PU060201 | Bumper |
| 12 | 2 | 4025M073 | Weight Stack Guide Rod |
| 13 | 8 | PP090201 | Plastic Insert 2.00 x 2.00 x 11 G |
| 14 | 2 | PP080204 | Plastic Cap .625 ID x .68 OD |
| 15 | 10 | PP080202 | Plastic Insert 1.19 Dia. x 11 G |
| 16 | 19 | JS387400 | Internal Tooth Lackwasher .50 |
| 17 | 1 | JN714400 | Jam Nut .375-24 |
| 18 | 1 | 5345-200 | Step |
| 19 | 10 | HS387700 | Washer SAE .50 |
| 20 | 1 | 5345-202 | Frame |
| 21 | 1 | 5345-203 | Upper Arm |
| 22 | 1 | 5345-204 | Support Leg |
| 23 | 1 | 02321 | Pulley Lever |
| 24 | 1 | 5345-303 | Top Cover (Backside) |
| 25 | 1 | 5345-304 | Lower Cover (Backside) |
| 26 | 2 | JG780034 | Leveling Guide |
| 27 | 1 | JD343317 | Shoulder Bolt .375 x 1.00 .312-18 |
| 28 | 2 | BG030201 | Steel Plug |
| 29 | 2 | PR060005 | Weight Bumper |
| 30 | 1 | JC782834 | SHCS .50-13 x 3.00 |
| 31 | 4 | JC782822 | SHCS .50-13 x 1.50 |
| 32 | 4 | JC782815 | SHCS .50-13 x .75 |
| 33 | 2 | GP000000 | Pulley Assembly |
| 34 | 4 | GP000004 | Pulley Spacer |
| 35 | 2 | GP000203 | Pulley Center |
| 36 | 1 | 8640-330 | Spiral Pin 10 mm x 90 mm |
| 37 | 12 | JC780417 | BHSCS .50-13 x 1.00 |
| 38 | 2 | HC700414 | BHSCS .375-16 x .62 |
| 39 | | | REMOVED |
| 40 | 1 | HD383322 | Shoulder Bolt .50 x 1.50 .375-16 |
| 41 | 1 | HN664000 | Hex Nut .312-18 |
| 42 | 2 | HS347600 | Washer .375 |
| 43 | 3 | HN704901 | Nylon Locknut .375-16 |
| 44 | 25 | HN784000 | Hex Nut .50-13 |
| 45 | 25 | JC620410 | BHSCS .250-20 x .50 |
| 46 | 1 | HS328300 | Split Lockwasher .312 |
| 47 | 1 | 5345-002 | Cable Subassembly |
| 48 | | | Removed |
| 49 | 2 | JS388300 | Split Lockwasher .50 |
| 50 | 2 | JC700914 | FHSCS .375-16 x .62 |
| 51 | 2 | 01186 | Non-Slip Fabric |
| 52 | | | Removed |
| 53 | 2 | 4000Y316 | Caution Decal |
| 54 | 1 | 01302 | Placard Decal |
| 55 | 1 | 02521 | Warning Decal |
| 56 | 1 | 3900-378 | Cybox Decal 11.37 Vert Wht/Plm |
| 56 | 1 | 3900-391 | Cybox Decal 11.37 Vert Blk/Plm |
| 56 | 1 | 3900-419 | Cybox Decal 11.37 Vert Wht/Wht |
| 57 | 4 | 4055M028 | Foam Grip 8.00 |
| 58 | 1 | 4800-381 | Warning Decal |
| 59 | 1 | 4800-515 | Weight Plate Decal |
| 60 | 2 | 5345-319 | Rubber Grip 7.75 |
| 61 | 4 | FB050206 | Sleeve Bearing |
| 62 | 2 | PR400201 | Grip 14.00 |
| 63 | 2 | BR030206 | Retaining Ring |
| 64 | 1 | 4700M005 | Rubber Cap |
| 65 | 1 | 5310P044 | Weight Selector Pin |
| 66 | 19 | 4005C062 | Stack Weight 4 x 12 |
| 67 | 1 | 01068 | Top Weight Assembly |
| 68 | 2 | JC782830 | SHCS .50-13 x 2.50 |
| 69 | 2 | 4700-019 | Flange Bearing |
| 70 | 1 | HP286819 | Spiral Pin |



SHIM DETAIL

NOTE: Attach lever arm first without shim. If arm does not align properly then install shim on the side that needs the most alignment.

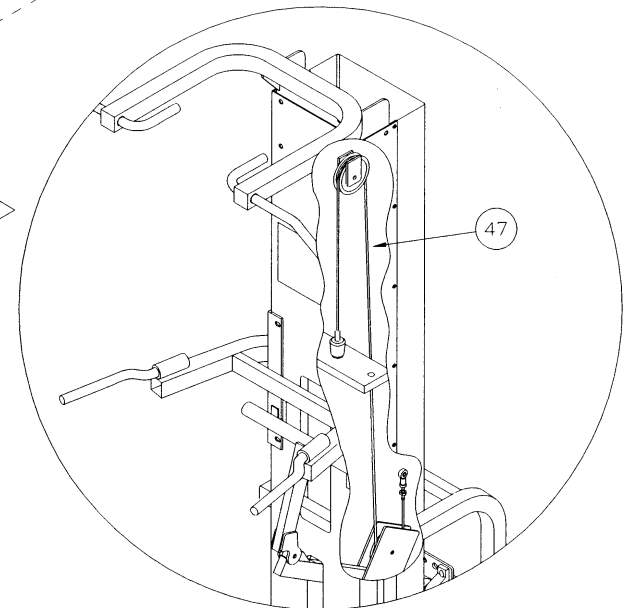
Handle Pin: HP306820
Handle: 01469



Assembly Notes

1. Attach step (item 18) to column. **NOTE:** Using two people, raise column slightly and slide step under column.
2. Attach support leg (item 22) to column. it will be necessary to raise column slightly by placing two 1/2" washers under each side of column in order to align holes. Secure step to support leg. Remove washers after securing support leg.
3. Install weight stack then drive spiral pin (item 36) into third weight plate (hole normally used for selector pin).
4. Install upper arm assembly (item 21) to column. **NOTE:** Two people will be required to install upper arm assembly.
5. Route cable.

NOTE: This machine shipped with an Owner's Manual. Additional copies can be obtained by contacting your dealer or a Cybex Representative at 1-888-462-9239.



CABLE ROUTING DETAIL