

TREADMILL,550T,PRO3

550T-01

Parts Manual

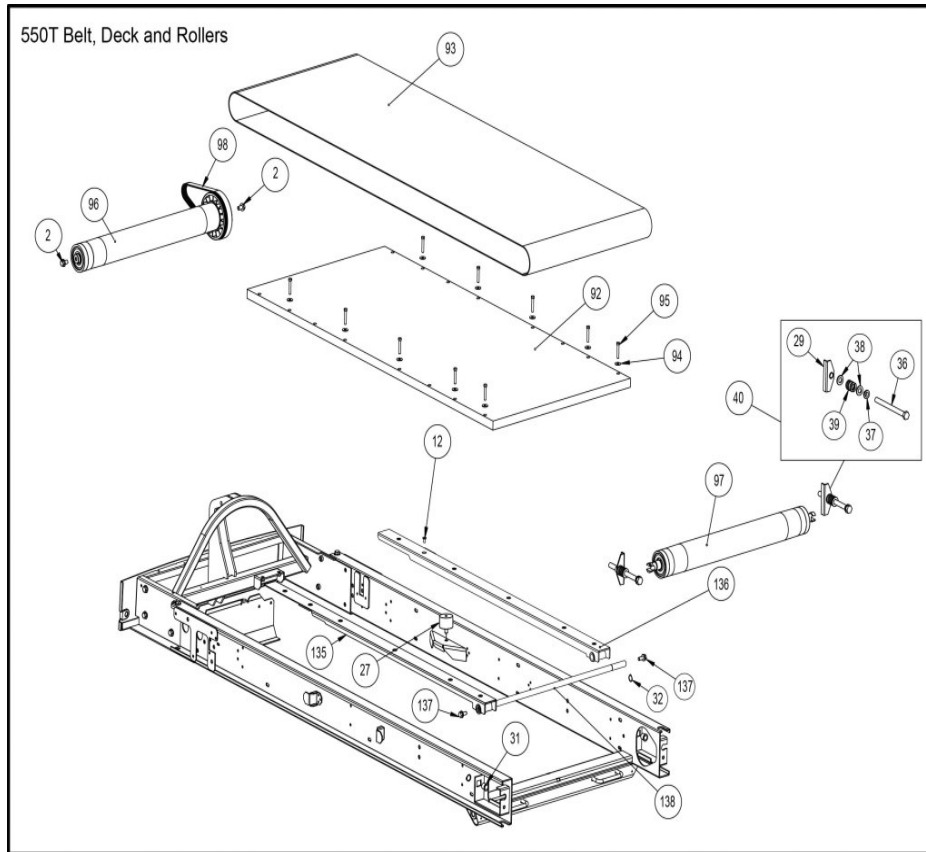
1/5/2019 4:53:34 AM



Table of Contents

Belt Deck Rollers (Before C05)	3
Console Cable	5
Console (Before F0303)	6
Drive Motor	8
Elevation	9
Frame	10
Hardware Manual and Power Cords	12
Lower Electronics	13
Planet Fitness	14
550T AV Option	15
550T Upright Assembly	17

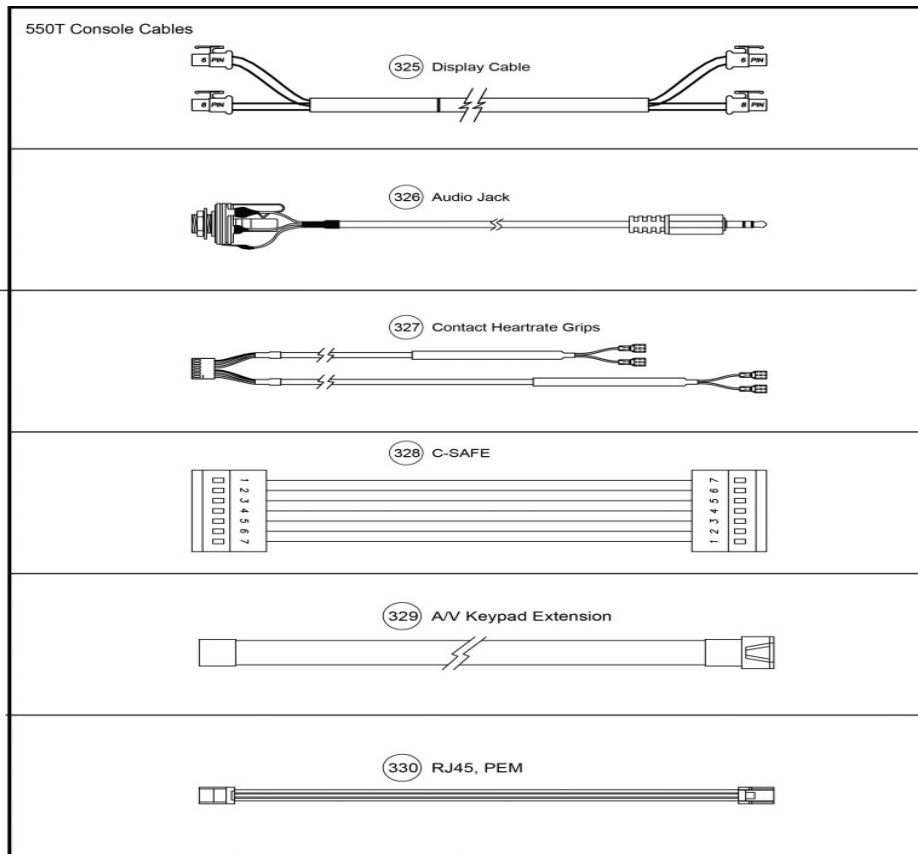
Belt Deck Rollers (Before C05)



Ref #	Part Number	Qty	Description
2	HS-16929	2	BOLT WHIZ LCK,3-8-16X.625,HXHD
12	HS-21379	10	SCREW,1-4-20X .50,FLHD PHIL,UN
27	HX-19981	2	BUSHING,DECK 5/16-18 50LBS MAX
29	AF-17591	2	BRACKET,REAR ROLLER NUT
31	HW-00590	2	BUSHING,NYLON,1-2 in
32	HX-13771	2	RING,RETAIN,5-8" .579 FR.ID
36	HS-15480	2	BOLT TAP,1-2-13X6,HXHD,G5
37	HB-16367	2	BUSHING .50IDX.62ODX.31LG,FLAN
38	HW-10028	4	WSHR B 1-2 NARROW ZINC
39	HX-11049	2	SPRING 1IN. O.D.360 MAX LD.
40	AX-16723	2	REAR ROLLER HARDWR ASSY
			NLA: DECK,DOUBLE
92	DK-16932	1	SIDED,23.3X51.5X1.0THK,PLYWOOD
93	BD-17026	1	BELT,RUNNING,20.63 X 60,COMMER
94	HW-00431	10	WSHR USS 1-4X.75X.062 ZN
95	HS-16628	10	BOLT,1-4-20X1.5,HXHD,G8
96	AL-19035	1	
97	AL-19036	1	ROLLER,REAR,TAPERED 6305 BEARI
98	BD-16829	1	BELT DRIVE 8 RIB
135	AX-19437	2	ASSY,DECK STIFFENER,PIVOTING,L
136	AX-19734	2	ASSY,DECK STIFFENER,PIVOTING,R
137	HS-19108	2	SCREW 5-16-18X3-4LG,HXHD,WHIZ-

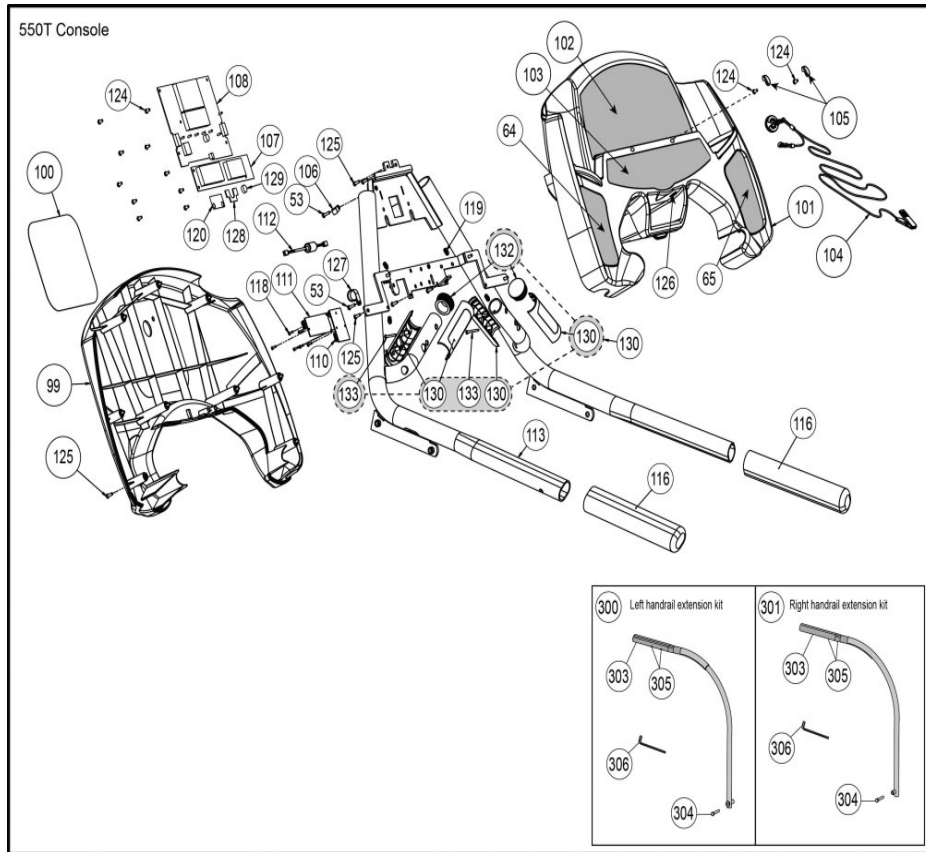
Ref #	Part Number	Qty	Description
138	FM-19439	1	SHAFT,DECK PIVOT

Console Cable



Ref #	Part Number	Qty	Description
325	AW-16561	1	NC R&R Cable, Univ. Tread Display (REPAIR ONLY)
326	AW-17694	1	CABLE AUDIO 1/4 in To 3-1/2 MM
327	AW-17706	1	CABLE,CHR GRIP,18 in-33 in
328	AW-17732	1	CABLE,4" RIBBON 7X.100" C-SAFE
329	AW-19502	1	CABLE,AV KEYPAD EXTENSION
330	AW-20111	1	CABLE,5E BONDED PAIR RJ45 ROUN

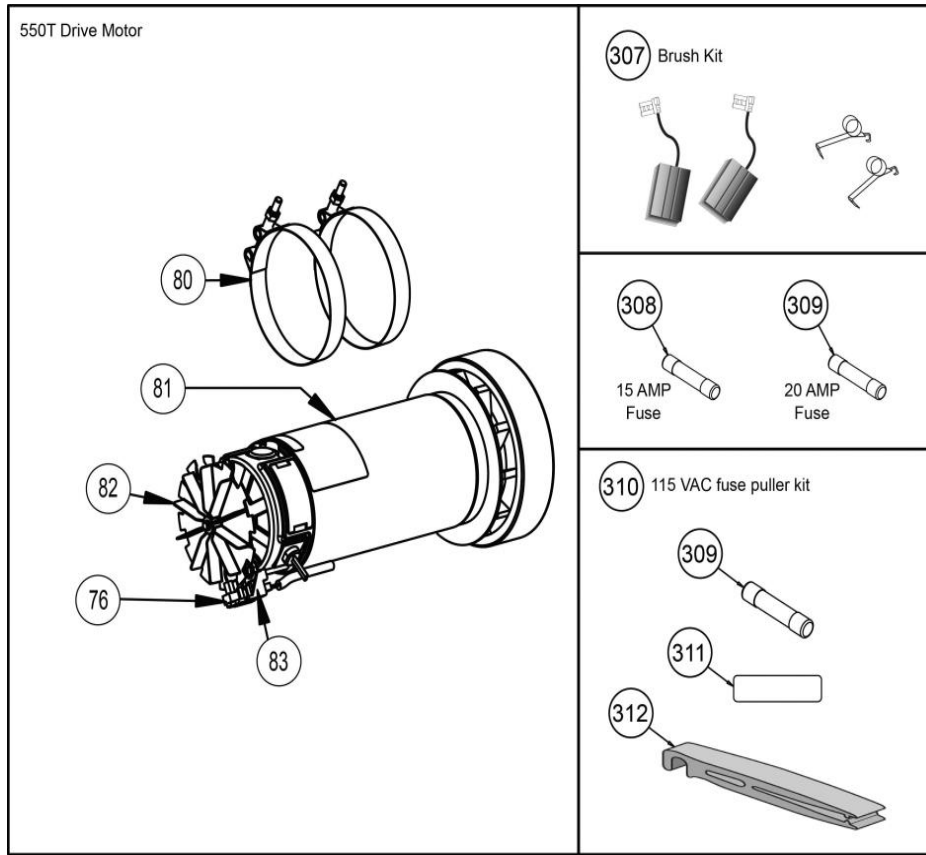
Console (Before F0303)



Ref #	Part Number	Qty	Description
53	HS-15732	1	SCREW SEMS,8-32UNCX.62,PNHD PHIL,ZN
64	DE-18135	1	Label,HRZone,W/O HIcon
64	DE-17693	1	Label, Start Ins Profile
65	SW-21287-4	1	MEMBRANE,550T AV KEYPAD,ENG
99	PL-17659	1	CONSOLE,REAR,PLASTIC
100	DE-17712	1	DECAL,LOGO,CYBEX,9X7
101	PL-17658	1	CONSOLE,FRONT,PLASTIC
102	SW-21227	1	Membrane 550T TOP
103	SW-21228	1	Membrane 550T BOT
104	AX-20943	1	ASSY,E-STOP KEY,SLUG
105	PL-17686	1	TAB,BOOK HOLDER
106	HX-16931	1	CLAMP,CABLE,5-16DIA STANDARD
107	AD-21226-Q	1	NC R&R PCA,550T,LOWER DISPLAY,ROHS
108	AD-21225-Q	1	EOL CA, 550T, Upper Display
110	AD-19366-Q	1	PCA,CSAFE W-AV
111	EC-17763	1	PCA,SALUTRON SERIAL OUTPUT
112	AW-17707	1	CABLE,CHR TO DISPLAY W-FERRITE
113	AF-17684	1	WELDMENT,HANDRAIL
116	HX-15499	2	GRIP HANDLEBAR
118	HS-10716	4	SCREW,4-40X0.38,PNHD PHIL
119	EH-00472	1	CABLE TIE,3.9IN MINATURE CROSS
120	FS-16841	1	MOUNT,E-STOP MAGNET

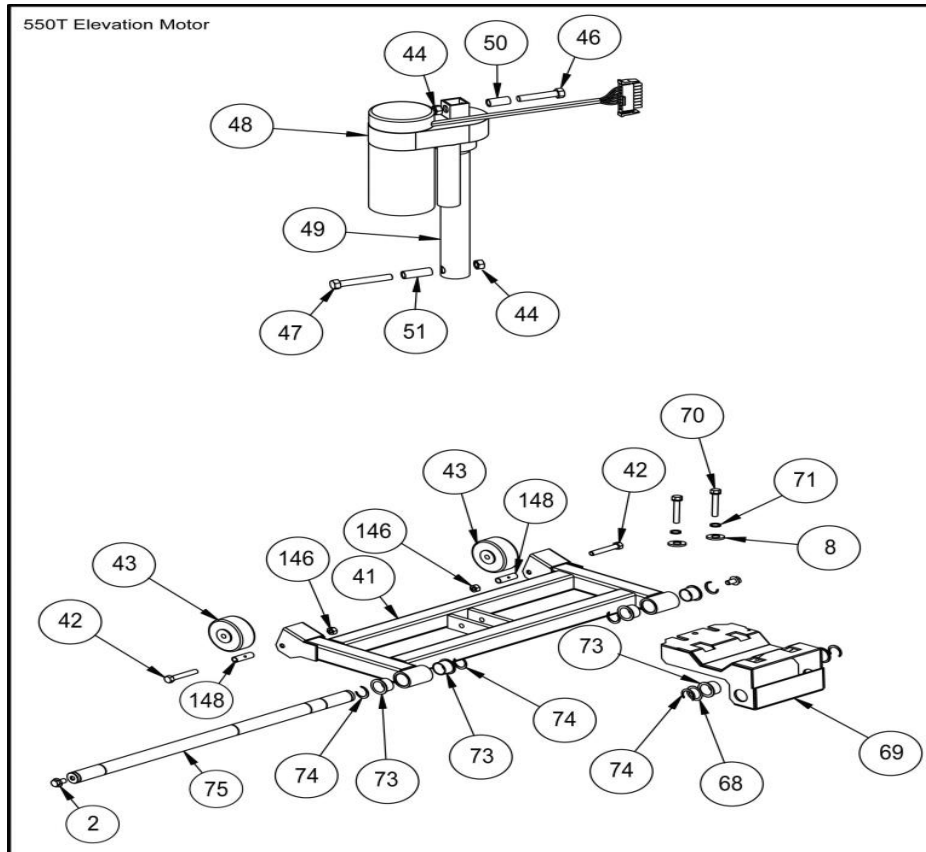
Ref #	Part Number	Qty	Description
124	HS-41187	12	SCREW SLFTP,8-16X.3125,PLASTITE
125	HS-15706	2	SCREW,8-16X.50,PNHD,STL,BLK ZN CLR,TYP WB
126	HX-17711	1	PLUG,HOLE,PLASTIC 7-16 BLACK bisco #2488
127	HX-19040	1	CLAMP,CABLE,3-4" DIA STANDARD
128	HX-17697	1	TAPE,DBL SIDED,DIE CUT,.062THK
129	HX-16842	1	MAGNET,E-STOP
130B	SK-19018	2	SERVICE KIT,530T HR YELLOW GRI
130A	SK-17827	2	SERVICE KIT,530T HR GRIPS
132	PL-20230	2	END CAP,CONTACT GRIP
133	HS-20306	1	SCREW,6-20X1.12 PNHD PHIL TYPE
300	AX-17174	1	KIT,EXTENSION HANDRAIL,LEFT
301	AX-17175	1	KIT,EXTENSION HANDRAIL,RIGHT
303	HX-16852	1	GRIP,HANDRAIL EXTENSION
304	HS-16921	1	BOLT,5-8-11X4.0,HXHD,ZN
305	HS-16935	1	SCREW SET,1-2-13X.5,BLK ZN,KNU
306	HX-00438	1	HEX KEY 3-16IN.

Drive Motor



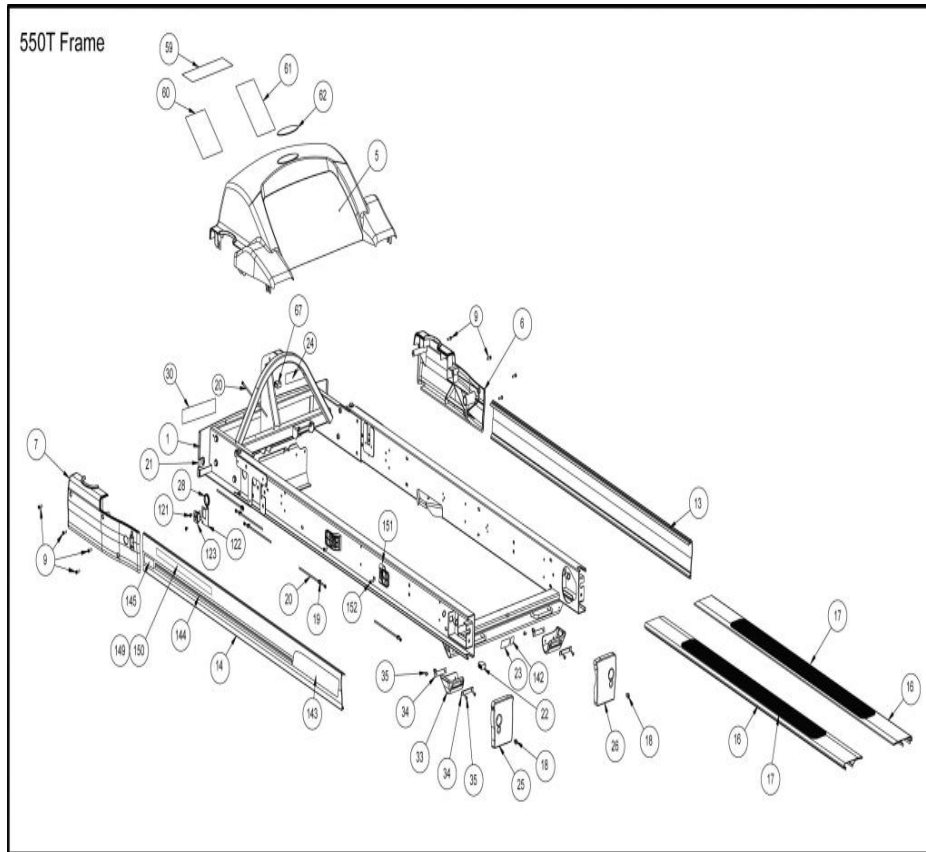
Ref #	Part Number	Qty	Description
76	EC-22370	1	SPEED SENSOR WITH CABLE,MMC
80	AF-19605	2	CLAMP,MOTORDRIVE,T-BOLT BAND
81	KSK-19997	1	KIT,MCMILLAN MOTOR,3HP,220VDC,
81	KSK-19996	1	KIT,MCMILLAN MOTOR,3HP,110VDC,
82	EH-18254	1	FAN,DRIVE MOTOR MCMILLAN
83	PL-19629	1	RETAINER,SPEED SENSOR,MOLDED,M
307	SK-18554	1	BRUSH KIT,MCMILLAN 425T 3.0HP
308	EF-19632	1	FUSE,15A SLO BLO 1-4X1.1-4 250
309	EF-21813	1	FUSE 20A 250V 1/4inX1-1/4in FA
310	KEF-21820	1	KIT,FUSE REPLACMENT 550T,115V,
311	DE-21815	1	LABEL,EF-21813 FUSE
312	HT-21836	1	FUSE PULLER,3AG

Elevation



Ref #	Part Number	Qty	Description
2	HS-16929	2	BOLT WHIZ LCK,3-8-16X.625,HXHD
8	HW-19634	2	WSHR FLAT .344 IDX1.0ODX.125TH
41	AF-16382	1	ELEVATION,WELDMENT
42	HS-60022	2	BOLT,3-8X2.25,HXHD CAP,BLK ZN,
43	CW-22240	2	WHEEL,80MM DIA X 32MM W
44	HN-17935	1	NUT LOCK,3-8-24,GRD C,STL,ZN
46	HS-17936	1	BOLT,3-8-24X2.0,HXHD CAP,G8,YE
47	HS-17937	1	BOLT,3-8-24X2.75,HXHD CAP,G8,Y
48	MR-16412	1	MOTOR,ELEVATION 115VAC
48	MR-16541	1	MOTOR,ELEVATION 230VAC
49	PKSK-17079	1	PROD KIT,TUBE NUT REPLACE,PRO,
50	FT-16825	1	SLEEVE,ELEVATION MOUNTING,TOP
51	FT-16826	1	SLEEVE,ELEVATION MOUNTING,BTM
68	HW-40004	2	WAVE SPRING WASHER 1INID
69	AX-18883	1	MOTOR PLATE ASSY,MCMILLAN
70	HS-16849	2	BOLT TAP,5-16-18X2.0,HXHD,G5
71	HW-00165	2	WSHR SPLIT LOCK 5-16 ZINC
73	HB-16426	3	BUSHING FLANGED,1.0IDX1.12ODX.
74	HX-16425	3	RING RETAINING EXT CRESCENT
75	FT-16352	1	SHAFT,MOTOR MOUNT
146	HN-60064	2	NUT JAM 3-8IN.-16 BLK ZN
148	HX-22247	2	BUSHING,SPANNER,.500 OD X 1.5i

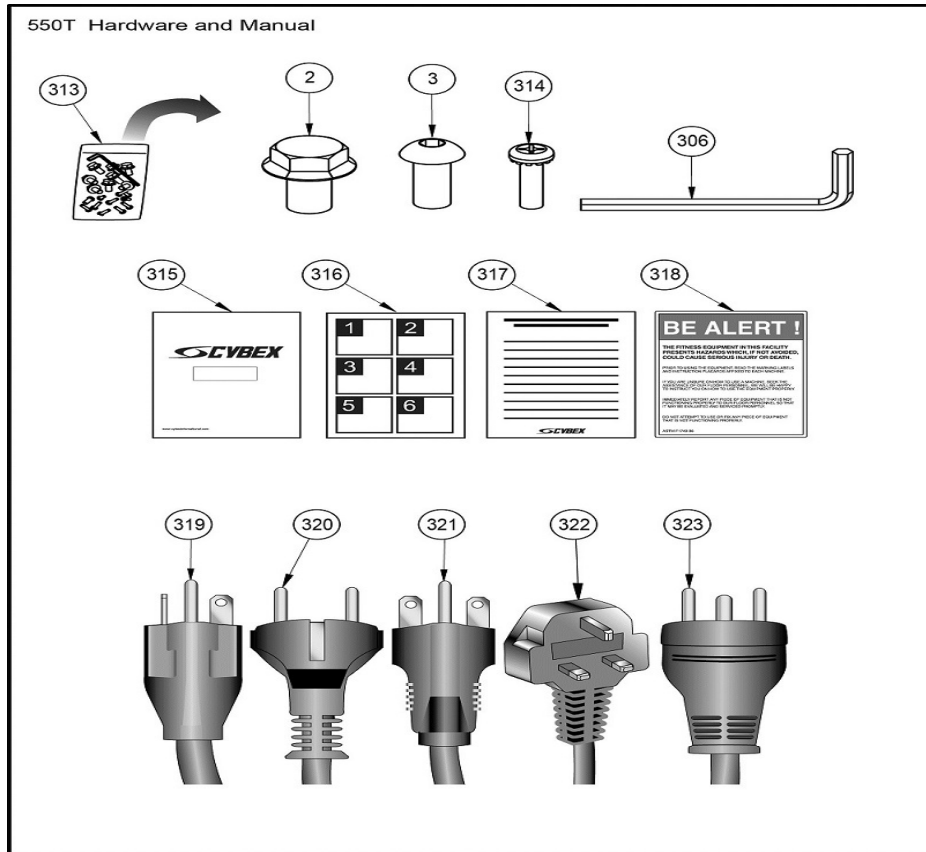
Frame



Ref #	Part Number	Qty	Description
1	KAX-21627	1	SERVICE KIT,FRAME-DECK BUMPER-
5	AX-16724	1	
6	PL-16465	1	COVER,UPRIGHT OUTER,RIGHT
7	PL-16464	1	COVER,UPRIGHT OUTER,LEFT
9	HS-16939	8	SCREW SEMS,10-32X.75,PNHD,BLK
13	AX-21309	1	SIDE EXTRUSION ASSY,550T,RGT
14	AX-21308	1	SIDE EXTRUSION ASSY,550T,LFT
16	SCK-17829	2	TOP PLATFORM ASSY,EXT BASE
17	DE-16705	2	DECAL,SAFETY-WALK
18	HS-16875	2	BOLT SEMS,1-4-20X.5,PNHD PHIL,
19	EH-10291	6	TY WRAP BASE
20	EH-00986	6	TY WRAP,T B TYB-25M 9 in
21	PL-16737	1	GROMMET, .45 ID,POWER CORD
22	PL-16738	1	PLUG,POWERCORD GROMMET
23	DE-16992	1	*DECAL,ETL UL-1647 ONLY
24	DE-14486	1	NLA: DECAL SERIAL NUMBER CYBEX
25	SCK-16496	1	NEVER RELEASED END CAP,LEFT,
26	SCK-16497	1	NLA: NEVER RELEASED END CAP,RIGHT
28	EH-16809	1	GROMMET,1.12X.091-.125 NYLON
30	DE-20427	1	LABEL,DISCONNECT POWER W RUSSI
33	HX-16510	1	FOOT,RUBBER,REAR
34	FS-16511	4	PLATE,REAR RUBBER FOOT MNT

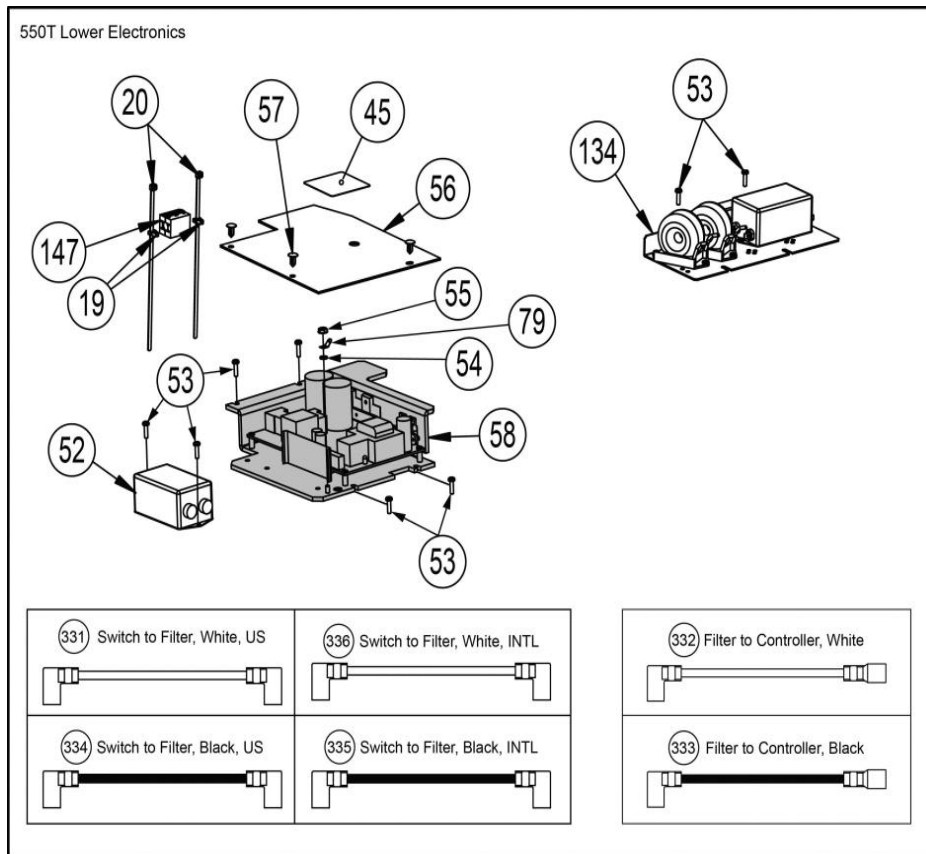
Ref #	Part Number	Qty	Description
35	HS-16509	8	SCREW SLFTP,10X.5,PNHD,PLT,TYP
59	DE-16608	1	
60	DE-16610	1	Label Error Codes
61	DE-16609	1	Label Service Schedule
62	DE-19198	1	DECAL,CYBEX LOGO Empire screen
67	HX-14416	1	CLIP,WIRE LATCHING,1X1
121	HS-16940	4	SCREW SEMS,10-32X.38,PNHD,BLK ZN,EXT
122	FS-16990	1	PLATE,SWITCH,POWER
123	SW-10523	1	SWITCH ON-OFF
142	DE-19451	1	DECAL,WEEE SYMBOL
143	DE-17714	2	DECAL,CYBEX,13.8 X 2.2
144	DE-16784	2	DECAL,SIDE STRIPE
145	DE-21275	2	LABEL,550T MODEL NAME,PRO3
149	DE-22327	1	LABEL,BLACK,INTELLIGENT SUSPENSION 3
150	DE-22328	2	LABEL,SILVER,INTELLIGENT SUSPENSION 3
151	PL-22129	2	BRKT,POWER CORD STORAGE,PLASTI
152	HS-22137	2	BOLT, 1-4-14x1.25,HXHD WSHR,TY

Hardware Manual and Power Cords



Ref #	Part Number	Qty	Description
2	HS-16929	8	BOLT WHIZ LCK,3-8-16X.625,HXHD
3	HS-16950	10	BOLT,5-16-18X.875,BTN,BLK ZN,N
306	HX-00438	1	HEX KEY 3-16IN.
313	AX-16956	1	KIT,INSTALL HARDWARE ELITE SPO
314	HS-16939	4	SCREW SEMS,10-32X.75,PNHD,BLK
315	LT-21311	1	
316	LT-17718	1	POSTER,NON-LANGUAGE ASSY
317	LT-21312	1	
318	LT-03051	1	SIGN FACILITY SAFETY
319	AW-16640	1	POWER CORD,115V 60HZ
320	AW-16638	1	POWER CORD,230V,50HZ
321	AW-19715	1	POWER CORD,220V,15A,60HZ
322	AW-19523	1	POWER CORD,230V,13A,50HZ,4M
323	AW-22230	1	POWER CORD,13A,250V W-TERMINAL

Lower Electronics



Ref #	Part Number	Qty	Description
19	EH-10291	2	TY WRAP BASE
20	EH-00986	2	TY WRAP, T B TYB-25M 9 in
45	DE-17144	1	Label, Warning, Lex Cover
52	EC-19869	1	LINE FILTER, 20A, DUAL STAGE
52	EC-18896	1	FILTER, 16A
53	HS-15732	6	SCREW SEMS, 8-32UNC X .62, PNHD PHIL, ZN
54	HW-10856	1	WSHR, LOCK EXT NO10 ZC
55	HN-11925	1	KEPS, 10-32 HEX STL ZN
56	PL-17052-4	1	COVER, LOWER CONTROLLER, ENG
57	HX-16943	3	CLIP, CHRISTMAS TREE, SINGLE HEA
58	PKAD-23103	1	PROD KIT, LOWER CONTROL, 115V
58	PKAD-17215	1	PROD KIT, LOWER CONTROL, 230V 50
79	ET-17165	1	TAB, FASTON, .250 SERIES
134	AX-16812	1	ASSY, POWER FACTOR CORRECTION
147	750A-396	1	Ferrite Clamp-on .40 ID
331	AW-16572	1	JUMPER, SWITCH-FILTER, WHT
332	AW-16578	1	JUMPER, FILTER-CNTL, WHITE
333	AW-16579	1	JUMPER, FILTER-CNTL, BLACK
334	AW-16938	1	JUMPER, SWITCH-FILTER, BLK
335	AW-17163	1	JUMPER, SW-FILTER, PFC, BLACK
336	AW-17164	1	JUMPER, SW-FILTER, PFC, WHITE

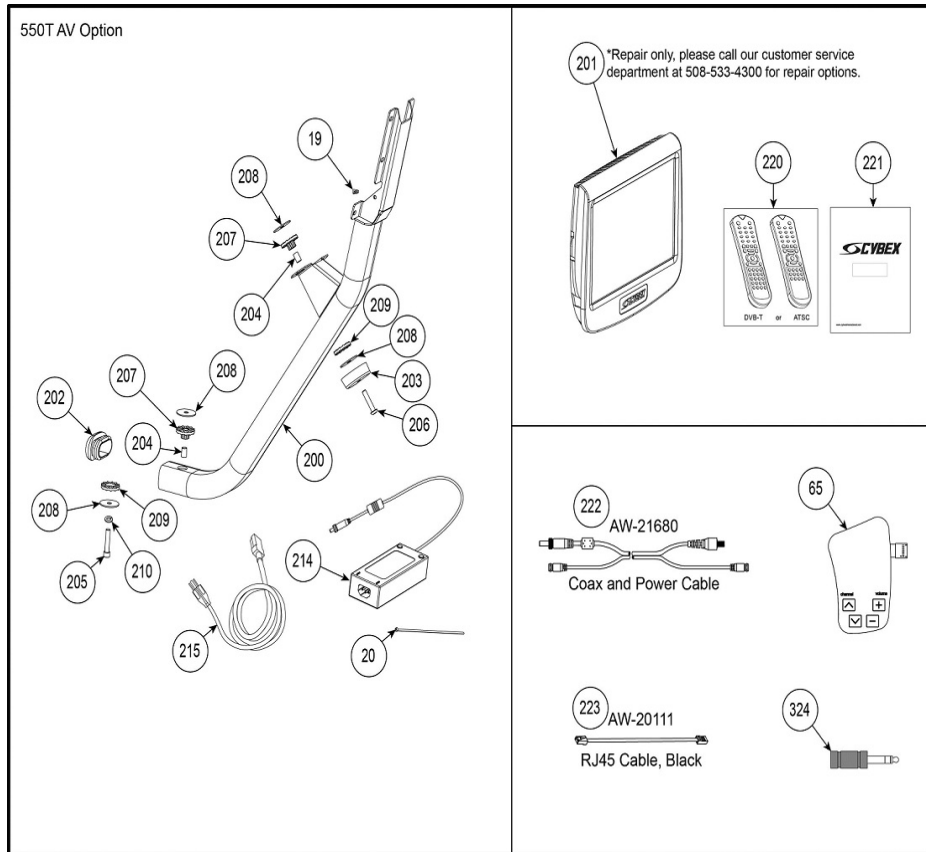
Planet Fitness

550T Planet Fitness Custom



Ref #	Part Number	Qty	Description
8	DE-24355	1	LABEL,OVAL,MOTOR COVER,PF

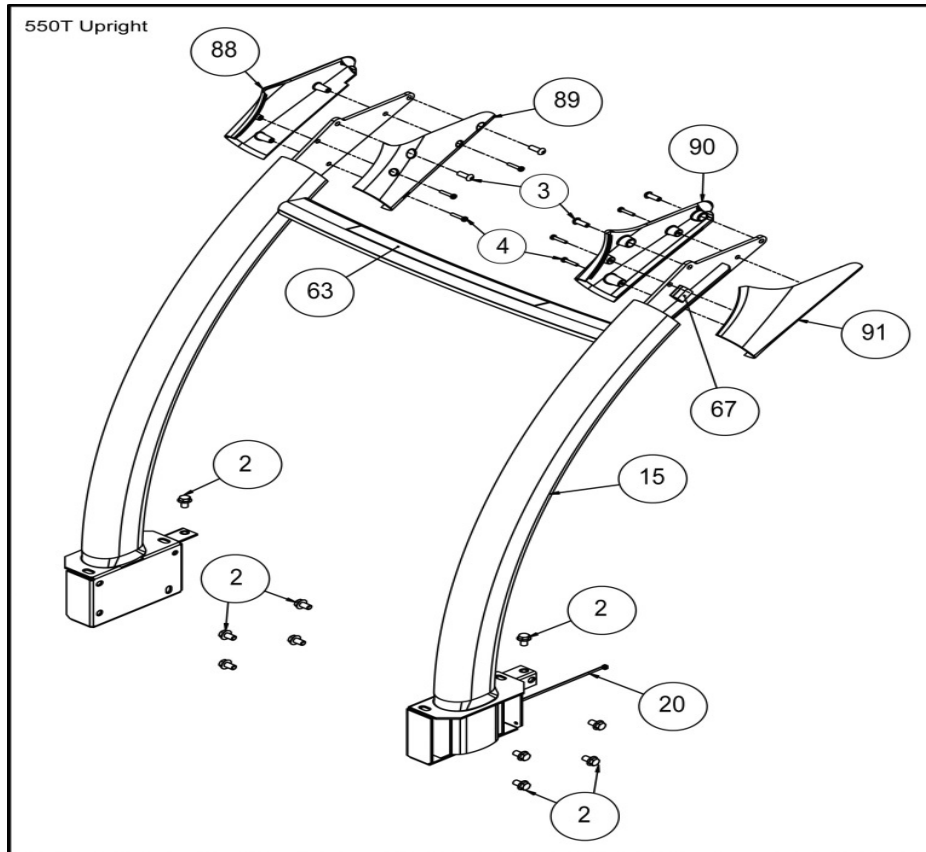
550T AV Option



Ref #	Part Number	Qty	Description
19	EH-10291	1	TY WRAP BASE
20	EH-00986	1	TY WRAP,T B TYB-25M 9 in
65	SW-21287-4	1	MEMBRANE,550T AV KEYPAD,ENG
200	AF-21144	1	WELD,PEM MNT,2ND GEN,530T
201	CP-21072	1	MONITOR,13.3 ATSC NTSC PEM
202	HX-20032	1	INSERT,DOMED PLASTIC
203	PL-20015	1	BUMPER,BLACK PLASTIC CAP
204	FT-19980	1	TUBE,SPACER,.375 DIA .028 WALL
205	HS-20036CYBEX	1	SCREW,5-16-18X1.50,SCHD,STL,ZN
206	HS-41107	1	BOLT,5-16-18X1.5,BTHD,SST,BLK
207	HX-20782	3	BUSHING,T-TYPE,VIBRATION ISOLA
208	HW-20779	3	WASHER,FLAT 1.44X.325X.06THK S
209	HX-20778	1	RING MOUNT,VIBRATION ISOLATOR
210	HW-53018	1	WASHER 5-16 SPLIT SS,BLK
214	TR-21265	1	NLA: POWER SUPPLY,12VDC,120-240VAC,6.0A W-LOCKING PLUG
215	AW-14007	1	POWER CORD,115V,60HZ PWR SUPPLY IEC320 (SJT)
215	WR-14012	1	POWER CORD,230V,10A,CEE 7-7,2M PN: 199-000
215	AW-22229	1	POWER CORD,10A,250V IEC 60320
215	AW-20193	1	POWER CORD,250VAC 10A,2.5M IEC
215	AW-20192	1	POWER CORD,100V,50HZ,2.5M IEC-
220	CP-21531	1	NLA: REMOTE CONTROL,HANDSET,DIGITAL

Ref #	Part Number	Qty	Description
220	CP-21632	1	NLA: REMOTE CONTROL,HANDSET,DIGITAL
221	LT-21264	1	MANUAL,ATSC PEM CP-21072
221	LT-21788	1	MANUAL,DVB-T PEM CP-21073
222	AW-21680	1	CABLE,750A 4XXT,LOCKING RF&DC POWER CABLE,2795MM
223	AW-20111	1	CABLE,5E BONDED PAIR RJ45 ROUN
324	CN-17687	1	ADAPTER,1-4 PLUG TO 1-8 JACK

550T Upright Assembly



Ref #	Part Number	Qty	Description
2	HS-16929	6	BOLT WHIZ LCK,3-8-16X.625,HXHD
3	HS-16950	4	BOLT,5-16-18X.875,BTN,BLK ZN,N
4	HS-19454	6	SCREW SEMS,10-32X 1.0,PNHD,BLK
15	SCK-17677	1	WELDMENT,UPRIGHT
20	EH-00986	2	TY WRAP,T B TYB-25M 9 in
63	DE-17691	1	Label, User Precaution,
67	HX-14416	2	CLIP,WIRE LATCHING,1X1
88	SCK-16379	1	COVER JUNCTION OUTER,RIGHT,POW
89	SCK-16380	1	COVER,JUNCTION INNER,RIGHT,POW
90	SCK-16328	1	COVER,JUNCTION INNER,LEFT,POWDE
91	SCK-16327	1	COVER,JUNCTION COVER,LEFT,POWD

