

TREADMILL,550T,PRO3

550T-03

Parts Manual

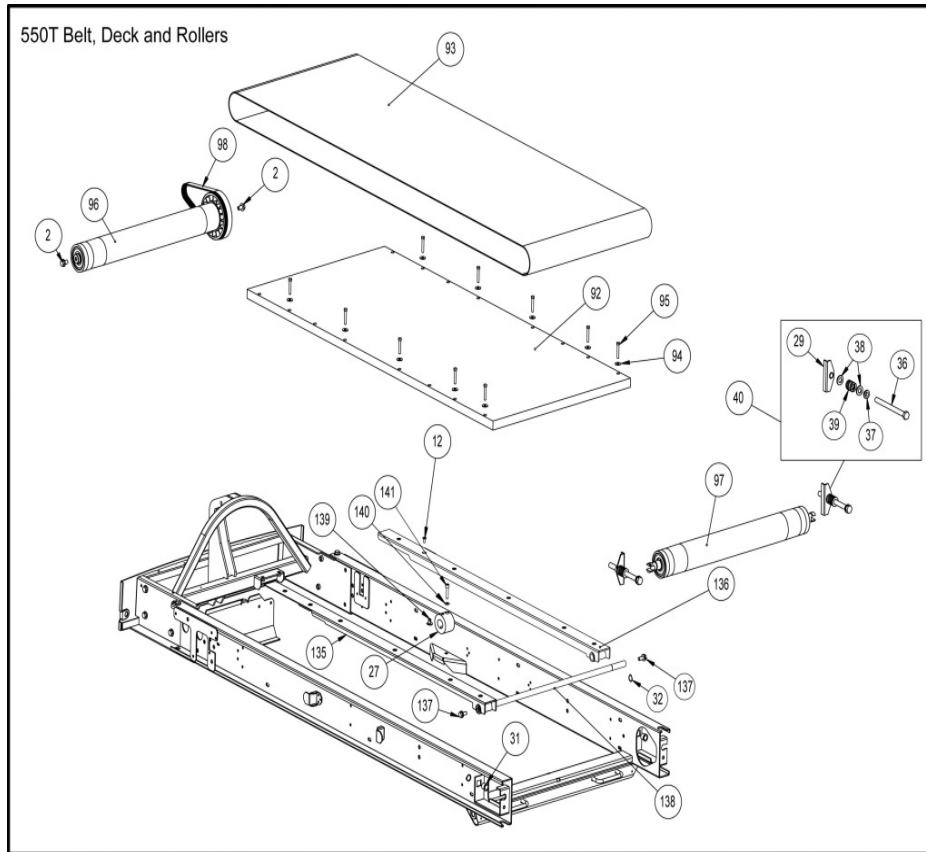
1/5/2019 4:53:35 AM



Table of Contents

| | |
|---|----|
| Belt Deck Rollers (After C06) | 3 |
| Console Cable | 5 |
| Console (After F0304) | 6 |
| Drive Motor | 8 |
| Elevation | 9 |
| Frame | 10 |
| Hardware Manual and Power Cords | 12 |
| Lower Electronics | 13 |
| Planet Fitness | 14 |
| 550T AV Option | 15 |
| 550T Upright Assembly | 17 |

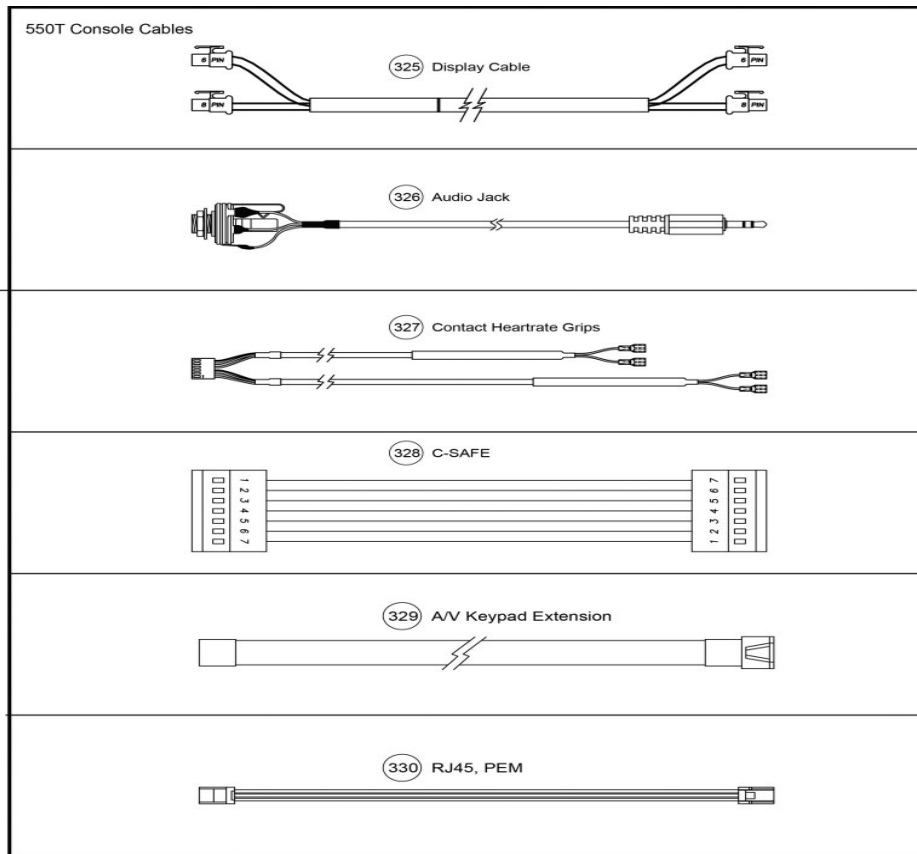
Belt Deck Rollers (After C06)



| Ref # | Part Number | Qty | Description |
|-------|-------------|-----|--------------------------------|
| 2 | HS-16929 | 2 | BOLT WHIZ LCK,3-8-16X.625,HXHD |
| 12 | HS-21379 | 2 | SCREW,1-4-20X .50,FLHD PHIL,UN |
| 27 | HX-19991 | 2 | BUMPER,SPRING DECK,2.10X2.34X1 |
| 29 | AF-17591 | 2 | BRACKET,REAR ROLLER NUT |
| 31 | HW-00590 | 2 | BUSHING,NYLON,1-2 in |
| 32 | HX-13771 | 2 | RING,RETAIN,5-8" .579 FR.ID |
| 36 | HS-15480 | 2 | BOLT TAP,1-2-13X6,HXHD,G5 |
| 37 | HB-16367 | 2 | BUSHING .50IDX.62ODX.31LG,FLAN |
| 38 | HW-10028 | 4 | WSHR B 1-2 NARROW ZINC |
| 39 | HX-11049 | 2 | SPRING 1IN. O.D.360 MAX LD. |
| 40 | AX-16723 | 2 | REAR ROLLER HARDWR ASSY |
| | | | NLA: DECK,DOUBLE |
| 92 | DK-16932 | 1 | SIDED,23.3X51.5X1.0THK,PLYWOOD |
| 93 | BD-17026 | 1 | BELT,RUNNING,20.63 X 60,COMMER |
| 94 | HW-00431 | 10 | WSHR USS 1-4X.75X.062 ZN |
| 95 | HS-16628 | 10 | BOLT,1-4-20X1.5,HXHD,G8 |
| 96 | AL-19035 | 1 | |
| 97 | AL-19036 | 1 | ROLLER,REAR,TAPERED 6305 BEARI |
| 98 | BD-16829 | 1 | BELT DRIVE 8 RIB |
| 135 | AX-21397 | 2 | ASSY,DECK STIFFENER,PIVOTING,L |
| 136 | AX-21396 | 2 | ASSY,DECK STIFFENER,PIVOTING,R |
| 137 | HS-19108 | 2 | SCREW 5-16-18X3-4LG,HXHD,WHIZ- |

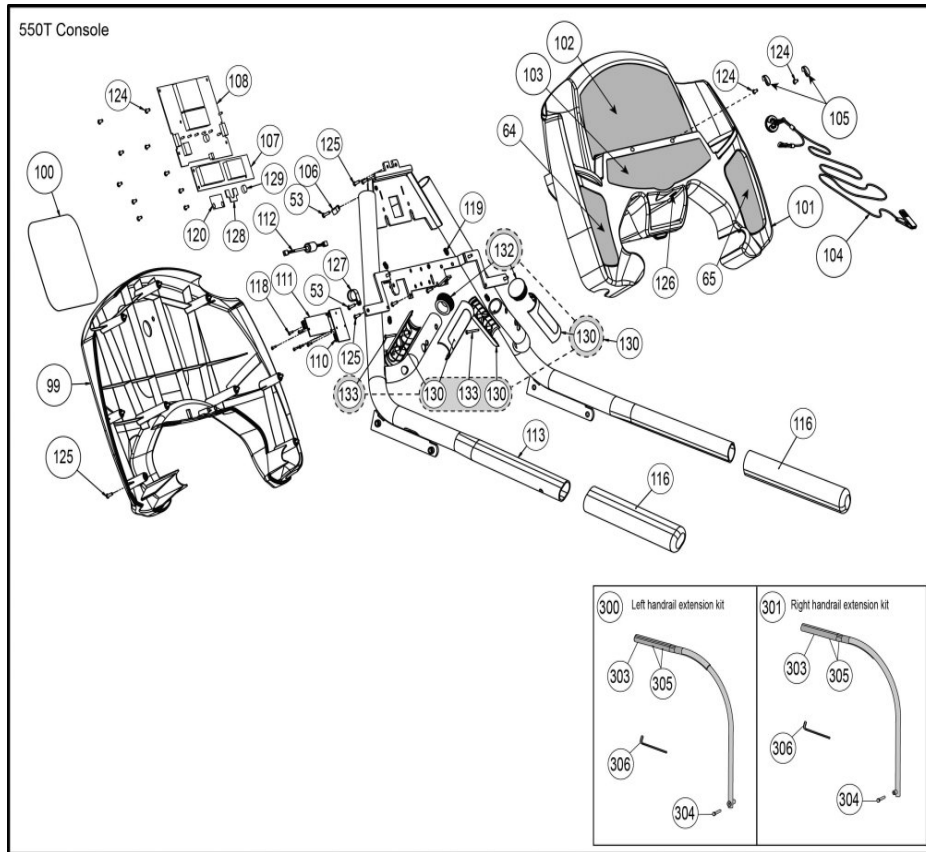
| Ref # | Part Number | Qty | Description |
|-------|-------------|-----|--------------------------------|
| 138 | FM-19439 | 1 | SHAFT,DECK PIVOT |
| 139 | HN-20041 | 2 | NUT,1-4-20 PROPELLER .305 OD |
| 140 | HW-20044 | 2 | WSHR,BELLEVILLE,15X8.2X1.0MM,. |
| 141 | HS-18358 | 2 | BOLT,5-16-18X.1.25,SCHD CAP,BL |

Console Cable



| Ref # | Part Number | Qty | Description |
|-------|-------------|-----|---|
| 325 | AW-16561 | 1 | NC R&R Cable, Univ. Tread Display (REPAIR ONLY) |
| 326 | AW-17694 | 1 | CABLE AUDIO 1/4 in To 3-1/2 MM |
| 327 | AW-17706 | 1 | CABLE,CHR GRIP,18 in-33 in |
| 328 | AW-17732 | 1 | CABLE,4" RIBBON 7X.100" C-SAFE |
| 329 | AW-19502 | 1 | CABLE,AV KEYPAD EXTENSION |
| 330 | AW-20111 | 1 | CABLE,5E BONDED PAIR RJ45 ROUN |

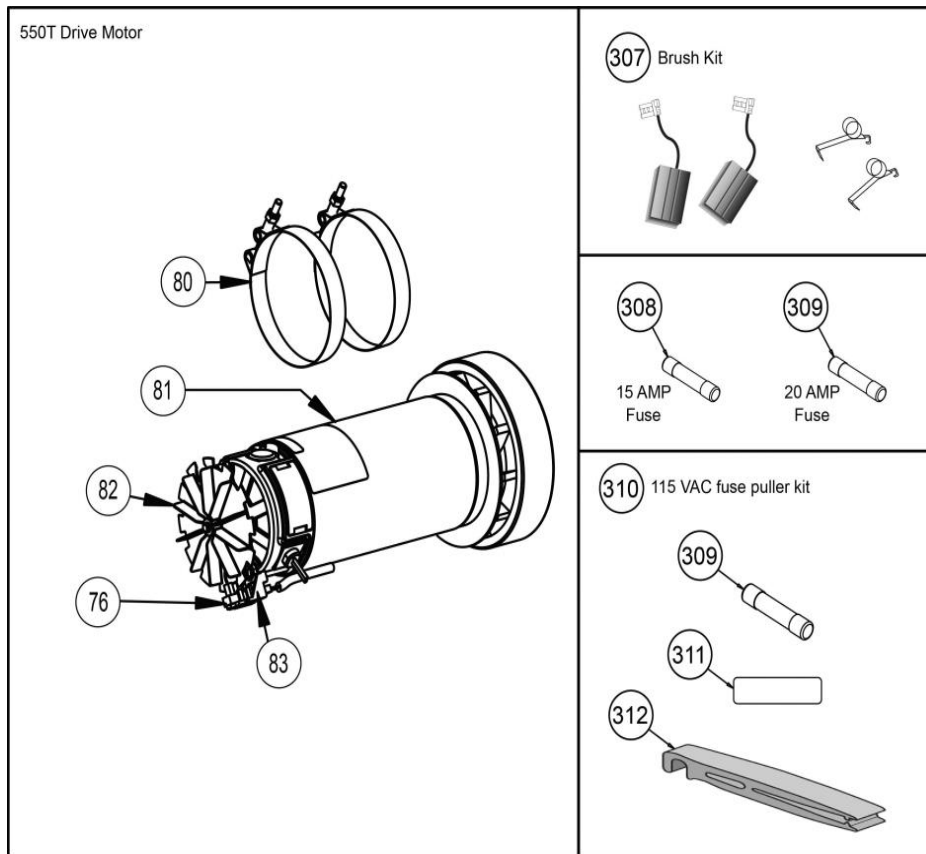
Console (After F0304)



| Ref # | Part Number | Qty | Description |
|-------|-------------|-----|-------------------------------------|
| 53 | HS-15732 | 1 | SCREW SEMS,8-32UNCX.62,PNHD PHIL,ZN |
| 64 | DE-18135-1 | 1 | LABEL,HR ZONE,W-O HRT ICON,GER |
| 64 | DE-17693 | 1 | Label, Start Ins Profile |
| 65 | SW-21287-4 | 1 | MEMBRANE,550T AV KEYPAD,ENG |
| 99 | PL-17659 | 1 | CONSOLE,REAR,PLASTIC |
| 100 | DE-17712 | 1 | DECAL,LOGO,CYBEX,9X7 |
| 101 | PL-17658 | 1 | CONSOLE,FRONT,PLASTIC |
| 102 | SW-21227-1 | 1 | MEMBRANE,550T, TOP,GER |
| 103 | SW-21228-1 | 1 | MEMBRANE,550T,WO AV,BTM,GER |
| 104 | AX-20943 | 1 | ASSY,E-STOP KEY,SLUG |
| 105 | PL-17686 | 1 | TAB,BOOK HOLDER |
| 106 | HX-16931 | 1 | CLAMP,CABLE,5-16DIA STANDARD |
| 107 | AD-23263 | 1 | PCA,550T LOWER DISPLAY W-REMOT |
| 108 | AD-21225-Q | 1 | EOL CA, 550T, Upper Display |
| 110 | AD-19366-Q | 1 | PCA,CSAFE W-AV |
| 111 | EC-17763 | 1 | PCA,SALUTRON SERIAL OUTPUT |
| 112 | AW-17707 | 1 | CABLE,CHR TO DISPLAY W-FERRITE |
| 113 | AF-17684 | 1 | WELDMENT,HANDRAIL |
| 116 | HX-15499 | 2 | GRIP HANDLEBAR |
| 118 | HS-10716 | 4 | SCREW,4-40X0.38,PNHD PHIL |
| 119 | EH-00472 | 1 | CABLE TIE,3.9IN MINATURE CROSS |
| 120 | FS-16841 | 1 | MOUNT,E-STOP MAGNET |

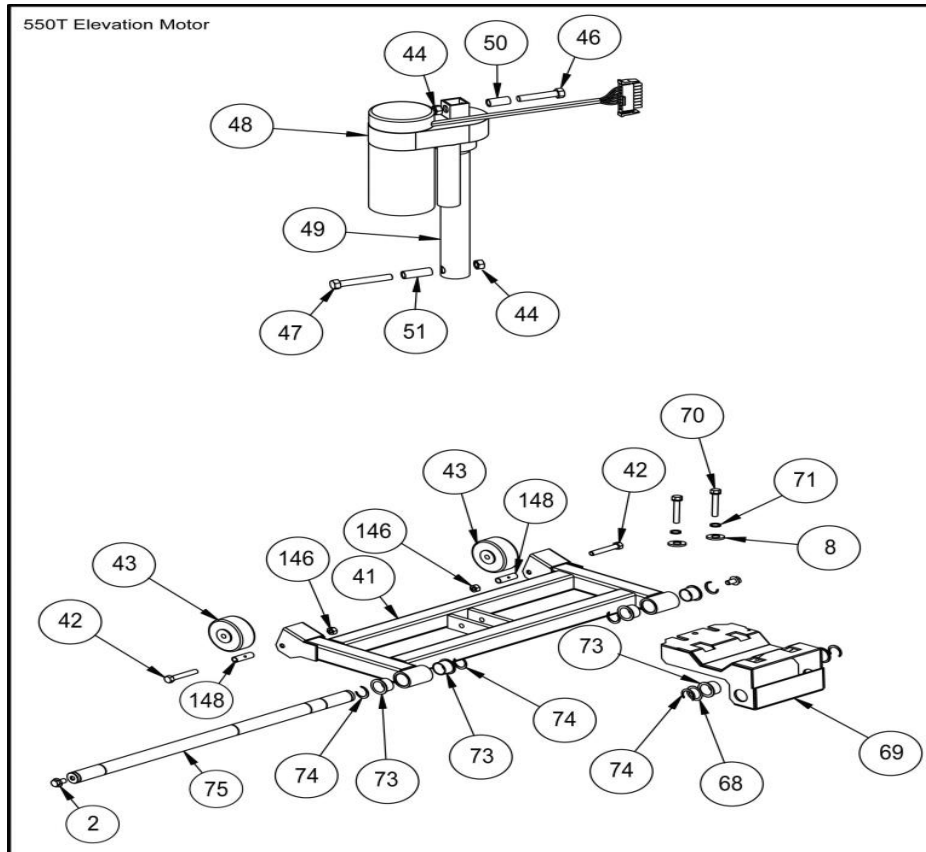
| Ref # | Part Number | Qty | Description |
|-------|-------------|-----|---|
| 124 | HS-41187 | 12 | SCREW SLFTP,8-16X.3125,PLASTITE |
| 125 | HS-15706 | 2 | SCREW,8-16X.50,PNHD,STL,BLK ZN CLR,TYP WB |
| 126 | HX-17711 | 1 | PLUG,HOLE,PLASTIC 7-16 BLACK bisco #2488 |
| 127 | HX-19040 | 1 | CLAMP,CABLE,3-4" DIA STANDARD |
| 128 | HX-17697 | 1 | TAPE,DBL SIDED,DIE CUT,.062THK |
| 129 | HX-16842 | 1 | MAGNET,E-STOP |
| 130B | SK-19018 | 2 | SERVICE KIT,530T HR YELLOW GRI |
| 130A | SK-17827 | 2 | SERVICE KIT,530T HR GRIPS |
| 132 | PL-20230 | 2 | END CAP,CONTACT GRIP |
| 133 | HS-20306 | 1 | SCREW,6-20X1.12 PNHD PHIL TYPE |
| 300 | AX-17174 | 1 | KIT,EXTENSION HANDRAIL,LEFT |
| 301 | AX-17175 | 1 | KIT,EXTENSION HANDRAIL,RIGHT |
| 303 | HX-16852 | 1 | GRIP,HANDRAIL EXTENSION |
| 304 | HS-16921 | 1 | BOLT,5-8-11X4.0,HXHD,ZN |
| 305 | HS-16935 | 1 | SCREW SET,1-2-13X.5,BLK ZN,KNU |
| 306 | HX-00438 | 1 | HEX KEY 3-16IN. |

Drive Motor



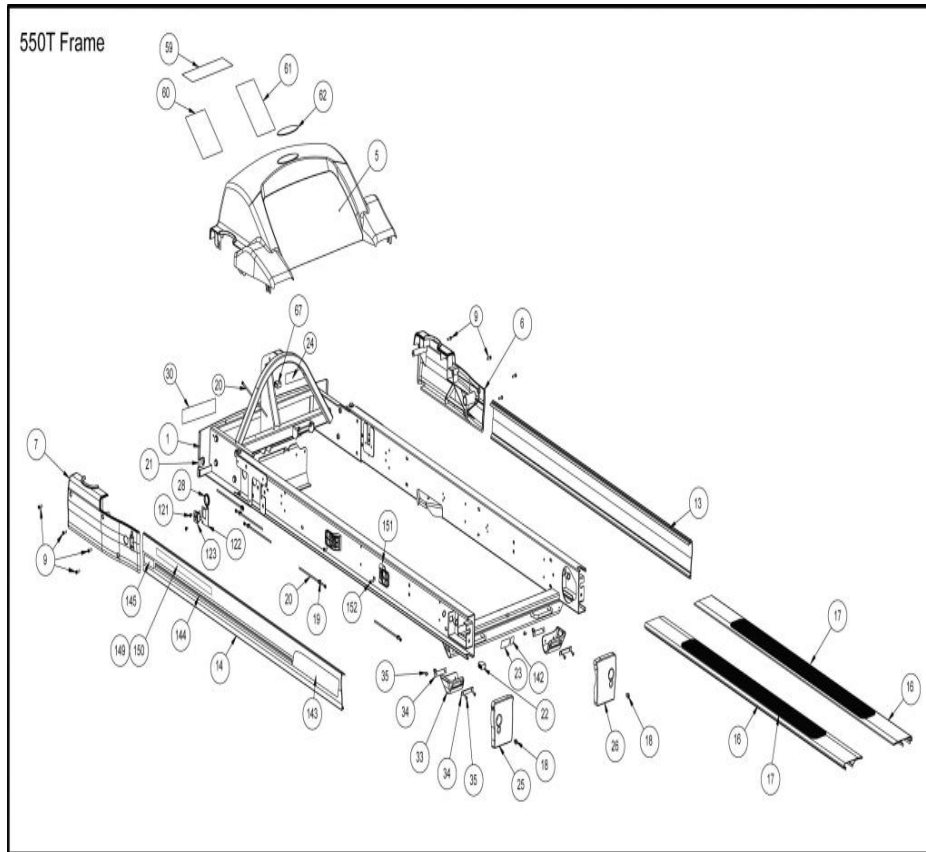
| Ref # | Part Number | Qty | Description |
|-------|-------------|-----|--------------------------------|
| 76 | EC-22370 | 1 | SPEED SENSOR WITH CABLE,MMC |
| 80 | AF-19605 | 2 | CLAMP,MOTORDRIVE,T-BOLT BAND |
| 81 | KSK-19997 | 1 | KIT,MCMILLAN MOTOR,3HP,220VDC, |
| 81 | KSK-19996 | 1 | KIT,MCMILLAN MOTOR,3HP,110VDC, |
| 82 | EH-18254 | 1 | FAN,DRIVE MOTOR MCMILLAN |
| 83 | PL-19629 | 1 | RETAINER,SPEED SENSOR,MOLDED,M |
| 307 | SK-18554 | 1 | BRUSH KIT,MCMILLAN 425T 3.0HP |
| 308 | EF-19632 | 1 | FUSE,15A SLO BLO 1-4X1.1-4 250 |
| 309 | EF-21813 | 1 | FUSE 20A 250V 1/4inX1-1/4in FA |
| 310 | KEF-21820 | 1 | KIT,FUSE REPLACMENT 550T,115V, |
| 311 | DE-21815 | 1 | LABEL,EF-21813 FUSE |
| 312 | HT-21836 | 1 | FUSE PULLER,3AG |

Elevation



| Ref # | Part Number | Qty | Description |
|-------|-------------|-----|--------------------------------|
| 2 | HS-16929 | 2 | BOLT WHIZ LCK,3-8-16X.625,HXHD |
| 8 | HW-19634 | 2 | WSHR FLAT .344 IDX1.0ODX.125TH |
| 41 | AF-16382 | 1 | ELEVATION,WELDMENT |
| 42 | HS-60022 | 2 | BOLT,3-8X2.25,HXHD CAP,BLK ZN, |
| 43 | CW-22240 | 2 | WHEEL,80MM DIA X 32MM W |
| 44 | HN-17935 | 1 | NUT LOCK,3-8-24,GRD C,STL,ZN |
| 46 | HS-17936 | 1 | BOLT,3-8-24X2.0,HXHD CAP,G8,YE |
| 47 | HS-17937 | 1 | BOLT,3-8-24X2.75,HXHD CAP,G8,Y |
| 48 | MR-16412 | 1 | MOTOR,ELEVATION 115VAC |
| 48 | MR-16541 | 1 | MOTOR,ELEVATION 230VAC |
| 49 | PKSK-17079 | 1 | PROD KIT,TUBE NUT REPLACE,PRO, |
| 50 | FT-16825 | 1 | SLEEVE,ELEVATION MOUNTING,TOP |
| 51 | FT-16826 | 1 | SLEEVE,ELEVATION MOUNTING,BTM |
| 68 | HW-40004 | 2 | WAVE SPRING WASHER 1INID |
| 69 | AX-18883 | 1 | MOTOR PLATE ASSY,MCMILLAN |
| 70 | HS-16849 | 2 | BOLT TAP,5-16-18X2.0,HXHD,G5 |
| 71 | HW-00165 | 2 | WSHR SPLIT LOCK 5-16 ZINC |
| 73 | HB-16426 | 3 | BUSHING FLANGED,1.0IDX1.12ODX. |
| 74 | HX-16425 | 3 | RING RETAINING EXT CRESCENT |
| 75 | FT-16352 | 1 | SHAFT,MOTOR MOUNT |
| 146 | HN-60064 | 2 | NUT JAM 3-8IN.-16 BLK ZN |
| 148 | HX-22247 | 2 | BUSHING,SPANNER,.500 OD X 1.5i |

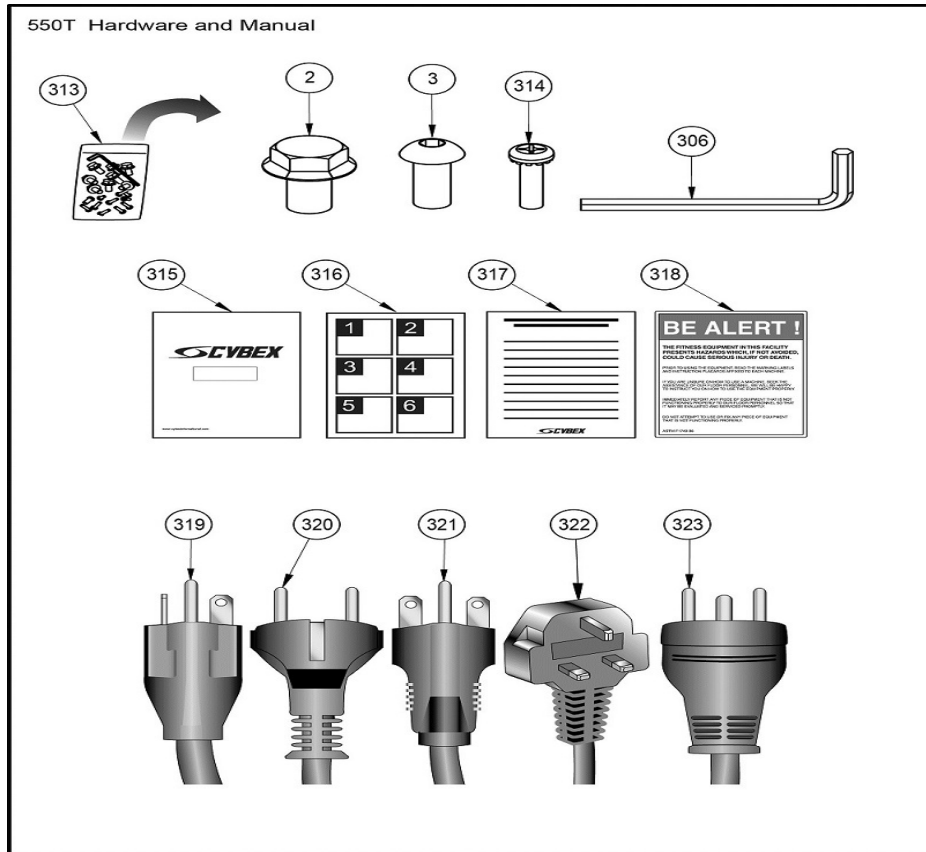
Frame



| Ref # | Part Number | Qty | Description |
|-------|-------------|-----|-----------------------------------|
| 1 | KAX-21627 | 1 | SERVICE KIT,FRAME-DECK BUMPER- |
| 5 | AX-16724-1 | 1 | NLA: MOTOR COVER ASSY,GER |
| 6 | PL-16465 | 1 | COVER,UPRIGHT OUTER,RIGHT |
| 7 | PL-16464 | 1 | COVER,UPRIGHT OUTER,LEFT |
| 9 | HS-16939 | 8 | SCREW SEMS,10-32X.75,PNHD,BLK |
| 13 | AX-21309 | 1 | SIDE EXTRUSION ASSY,550T,RGT |
| 14 | AX-21308 | 1 | SIDE EXTRUSION ASSY,550T,LFT |
| 16 | SCK-17829 | 2 | TOP PLATFORM ASSY,EXT BASE |
| 17 | DE-16705 | 2 | DECAL,SAFETY-WALK |
| 18 | HS-16875 | 2 | BOLT SEMS,1-4-20X.5,PNHD PHIL, |
| 19 | EH-10291 | 6 | TY WRAP BASE |
| 20 | EH-00986 | 6 | TY WRAP,T B TYB-25M 9 in |
| 21 | PL-16737 | 1 | GROMMET, .45 ID,POWER CORD |
| 22 | PL-16738 | 1 | PLUG,POWERCORD GROMMET |
| 23 | DE-16992 | 1 | *DECAL,ETL UL-1647 ONLY |
| 24 | DE-14486 | 1 | NLA: DECAL SERIAL NUMBER CYBEX |
| 25 | SCK-16496 | 1 | NEVER RELEASED END CAP,LEFT, |
| 26 | SCK-16497 | 1 | NLA: NEVER RELEASED END CAP,RIGHT |
| 28 | EH-16809 | 1 | GROMMET,1.12X.091-.125 NYLON |
| 30 | DE-20427 | 1 | LABEL,DISCONNECT POWER W RUSSI |
| 33 | HX-16510 | 1 | FOOT,RUBBER,REAR |
| 34 | FS-16511 | 4 | PLATE,REAR RUBBER FOOT MNT |

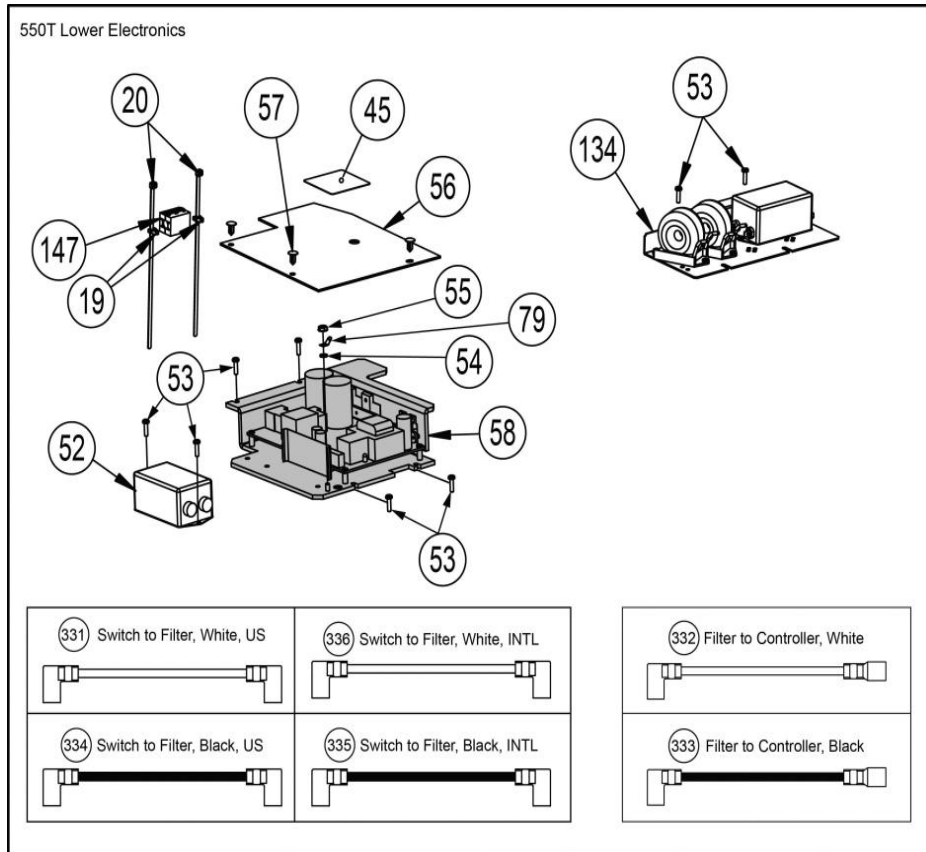
| Ref # | Part Number | Qty | Description |
|-------|-------------|-----|---------------------------------------|
| 35 | HS-16509 | 8 | SCREW SLFTP,10X.5,PNHD,PLT,TYP |
| 59 | DE-16608 | 1 | |
| 60 | DE-16610 | 1 | Label Error Codes |
| 61 | DE-16609 | 1 | Label Service Schedule |
| 62 | DE-19198 | 1 | DECAL,CYBEX LOGO Empire screen |
| 67 | HX-14416 | 1 | CLIP,WIRE LATCHING,1X1 |
| 121 | HS-16940 | 4 | SCREW SEMS,10-32X.38,PNHD,BLK ZN,EXT |
| 122 | FS-16990 | 1 | PLATE,SWITCH,POWER |
| 123 | SW-10523 | 1 | SWITCH ON-OFF |
| 142 | DE-19451 | 1 | DECAL,WEEE SYMBOL |
| 143 | DE-17714 | 2 | DECAL,CYBEX,13.8 X 2.2 |
| 144 | DE-16784 | 2 | DECAL,SIDE STRIPE |
| 145 | DE-21275 | 2 | LABEL,550T MODEL NAME,PRO3 |
| 149 | DE-22327 | 1 | LABEL,BLACK,INTELLIGENT SUSPENSION 3 |
| 150 | DE-22328 | 2 | LABEL,SILVER,INTELLIGENT SUSPENSION 3 |
| 151 | PL-22129 | 2 | BRKT,POWER CORD STORAGE,PLASTI |
| 152 | HS-22137 | 2 | BOLT, 1-4-14x1.25,HXHD WSHR,TY |

Hardware Manual and Power Cords



| Ref # | Part Number | Qty | Description |
|-------|-------------|-----|--------------------------------|
| 2 | HS-16929 | 8 | BOLT WHIZ LCK,3-8-16X.625,HXHD |
| 3 | HS-16950 | 10 | BOLT,5-16-18X.875,BTN,BLK ZN,N |
| 306 | HX-00438 | 1 | HEX KEY 3-16IN. |
| 313 | AX-16956 | 1 | KIT,INSTALL HARDWARE ELITE SPO |
| 314 | HS-16939 | 4 | SCREW SEMS,10-32X.75,PNHD,BLK |
| 315 | LT-21311 | 1 | |
| 316 | LT-17718 | 1 | POSTER,NON-LANGUAGE ASSY |
| 317 | LT-21312 | 1 | |
| 318 | LT-03051 | 1 | SIGN FACILITY SAFETY |
| 319 | AW-16640 | 1 | POWER CORD,115V 60HZ |
| 320 | AW-16638 | 1 | POWER CORD,230V,50HZ |
| 321 | AW-19715 | 1 | POWER CORD,220V,15A,60HZ |
| 322 | AW-19523 | 1 | POWER CORD,230V,13A,50HZ,4M |
| 323 | AW-22230 | 1 | POWER CORD,13A,250V W-TERMINAL |

Lower Electronics



| Ref # | Part Number | Qty | Description |
|-------|-------------|-----|--|
| 19 | EH-10291 | 2 | TY WRAP BASE |
| 20 | EH-00986 | 2 | TY WRAP, T B TYB-25M 9 in |
| 45 | DE-17144 | 1 | Label, Warning, Lex Cover |
| 52 | EC-19869 | 1 | LINE FILTER, 20A, DUAL STAGE |
| 52 | EC-18896 | 1 | FILTER, 16A |
| 53 | HS-15732 | 6 | SCREW SEMS, 8-32UNC X .62, PNHD PHIL, ZN |
| 54 | HW-10856 | 1 | WSHR, LOCK EXT NO10 ZC |
| 55 | HN-11925 | 1 | KEPS, 10-32 HEX STL ZN |
| 56 | PL-17052-4 | 1 | COVER, LOWER CONTROLLER, ENG |
| 57 | HX-16943 | 3 | CLIP, CHRISTMAS TREE, SINGLE HEA |
| 58 | PKAD-23103 | 1 | PROD KIT, LOWER CONTROL, 115V |
| 58 | PKAD-17215 | 1 | PROD KIT, LOWER CONTROL, 230V 50 |
| 79 | ET-17165 | 1 | TAB, FASTON, .250 SERIES |
| 134 | AX-16812 | 1 | ASSY, POWER FACTOR CORRECTION |
| 147 | 750A-396 | 1 | Ferrite Clamp-on .40 ID |
| 331 | AW-16572 | 1 | JUMPER, SWITCH-FILTER, WHT |
| 332 | AW-16578 | 1 | JUMPER, FILTER-CNTL, WHITE |
| 333 | AW-16579 | 1 | JUMPER, FILTER-CNTL, BLACK |
| 334 | AW-16938 | 1 | JUMPER, SWITCH-FILTER, BLK |
| 335 | AW-17163 | 1 | JUMPER, SW-FILTER, PFC, BLACK |
| 336 | AW-17164 | 1 | JUMPER, SW-FILTER, PFC, WHITE |

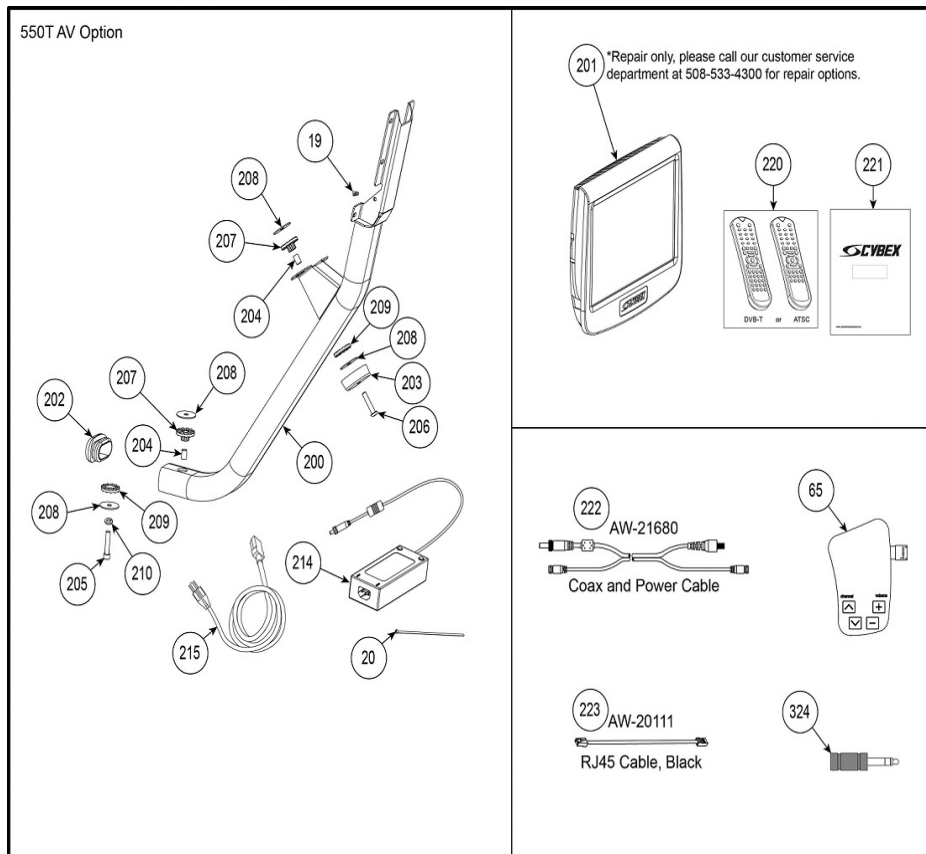
Planet Fitness

550T Planet Fitness Custom



| Ref # | Part Number | Qty | Description |
|-------|-------------|-----|---------------------------|
| 8 | DE-24355 | 1 | LABEL,OVAL,MOTOR COVER,PF |

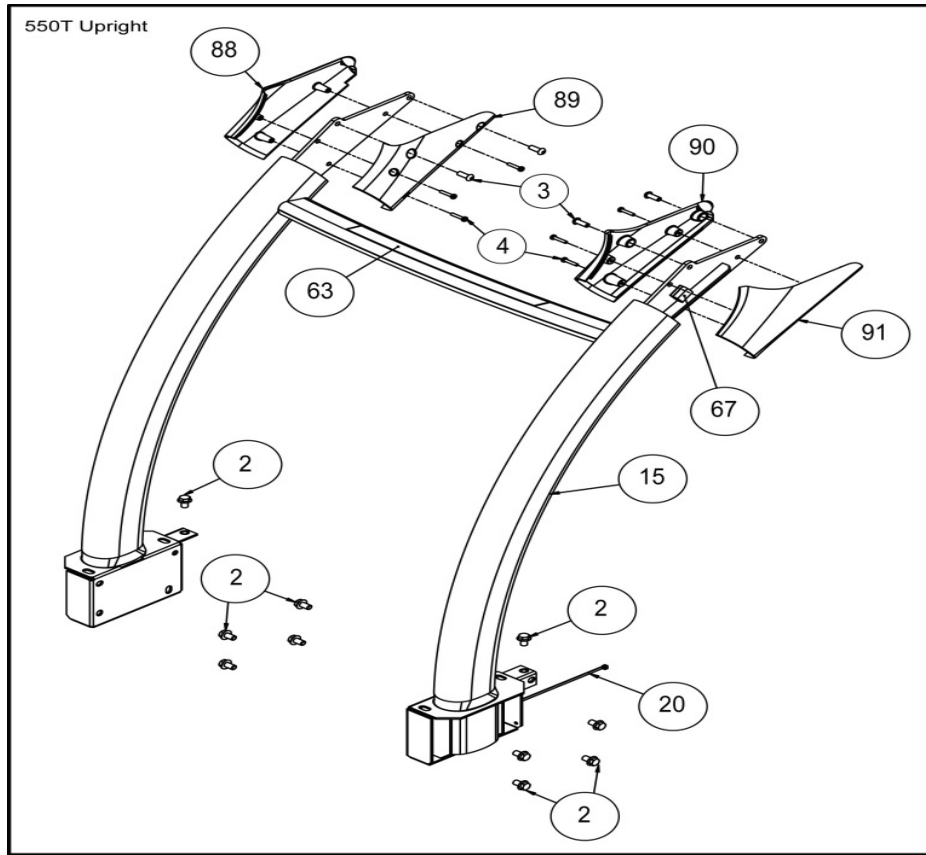
550T AV Option



| Ref # | Part Number | Qty | Description |
|-------|---------------|-----|--|
| 19 | EH-10291 | 1 | TY WRAP BASE |
| 20 | EH-00986 | 1 | TY WRAP,T B TYB-25M 9 in |
| 65 | SW-21287-4 | 1 | MEMBRANE,550T AV KEYPAD,ENG |
| 200 | AF-21144 | 1 | WELD,PEM MNT,2ND GEN,530T |
| 201 | CP-21072 | 1 | MONITOR,13.3 ATSC NTSC PEM |
| 202 | HX-20032 | 1 | INSERT,DOMED PLASTIC |
| 203 | PL-20015 | 1 | BUMPER,BLACK PLASTIC CAP |
| 204 | FT-19980 | 1 | TUBE,SPACER,.375 DIA .028 WALL |
| 205 | HS-20036CYBEX | 1 | SCREW,5-16-18X1.50,SCHD,STL,ZN |
| 206 | HS-41107 | 1 | BOLT,5-16-18X1.5,BTHD,SST,BLK |
| 207 | HX-20782 | 3 | BUSHING,T-TYPE,VIBRATION ISOLA |
| 208 | HW-20779 | 3 | WASHER,FLAT 1.44X.325X.06THK S |
| 209 | HX-20778 | 1 | RING MOUNT,VIBRATION ISOLATOR |
| 210 | HW-53018 | 1 | WASHER 5-16 SPLIT SS,BLK |
| 214 | TR-21265 | 1 | NLA: POWER SUPPLY,12VDC,120-240VAC,6.0A W-LOCKING PLUG |
| 215 | AW-14007 | 1 | POWER CORD,115V,60HZ PWR SUPPLY IEC320 (SJT) |
| 215 | WR-14012 | 1 | POWER CORD,230V,10A,CEE 7-7,2M PN: 199-000 |
| 215 | AW-22229 | 1 | POWER CORD,10A,250V IEC 60320 |
| 215 | AW-20193 | 1 | POWER CORD,250VAC 10A,2.5M IEC |
| 215 | AW-20192 | 1 | POWER CORD,100V,50HZ,2.5M IEC- |
| 220 | CP-21531 | 1 | NLA: REMOTE CONTROL,HANDSET,DIGITAL |

| Ref # | Part Number | Qty | Description |
|-------|-------------|-----|---|
| 220 | CP-21632 | 1 | NLA: REMOTE CONTROL,HANDSET,DIGITAL |
| 221 | LT-21264 | 1 | MANUAL,ATSC PEM CP-21072 |
| 221 | LT-21788 | 1 | MANUAL,DVB-T PEM CP-21073 |
| 222 | AW-21680 | 1 | CABLE,750A 4XXT,LOCKING RF&DC POWER CABLE,2795MM |
| 223 | AW-20111 | 1 | CABLE,5E BONDED PAIR RJ45 ROUN |
| 324 | CN-17687 | 1 | ADAPTER,1-4 PLUG TO 1-8 JACK |

550T Upright Assembly



| Ref # | Part Number | Qty | Description |
|-------|-------------|-----|---------------------------------|
| 2 | HS-16929 | 6 | BOLT WHIZ LCK,3-8-16X.625,HXHD |
| 3 | HS-16950 | 4 | BOLT,5-16-18X.875,BTN,BLK ZN,N |
| 4 | HS-19454 | 6 | SCREW SEMS,10-32X 1.0,PNHD,BLK |
| 15 | SCK-17677 | 1 | WELDMENT,UPRIGHT |
| 20 | EH-00986 | 2 | TY WRAP,T B TYB-25M 9 in |
| 63 | DE-17691 | 1 | Label, User Precaution, |
| 67 | HX-14416 | 2 | CLIP,WIRE LATCHING,1X1 |
| 88 | SCK-16379 | 1 | COVER JUNCTION OUTER,RIGHT,POW |
| 89 | SCK-16380 | 1 | COVER,JUNCTION INNER,RIGHT,POW |
| 90 | SCK-16328 | 1 | COVER,JUNCTION INNER,LEFT,POWDE |
| 91 | SCK-16327 | 1 | COVER,JUNCTION COVER,LEFT,POWD |

