

ARC TRAINER 625AT TOTAL BODY

625AT-E3-01

Parts Manual

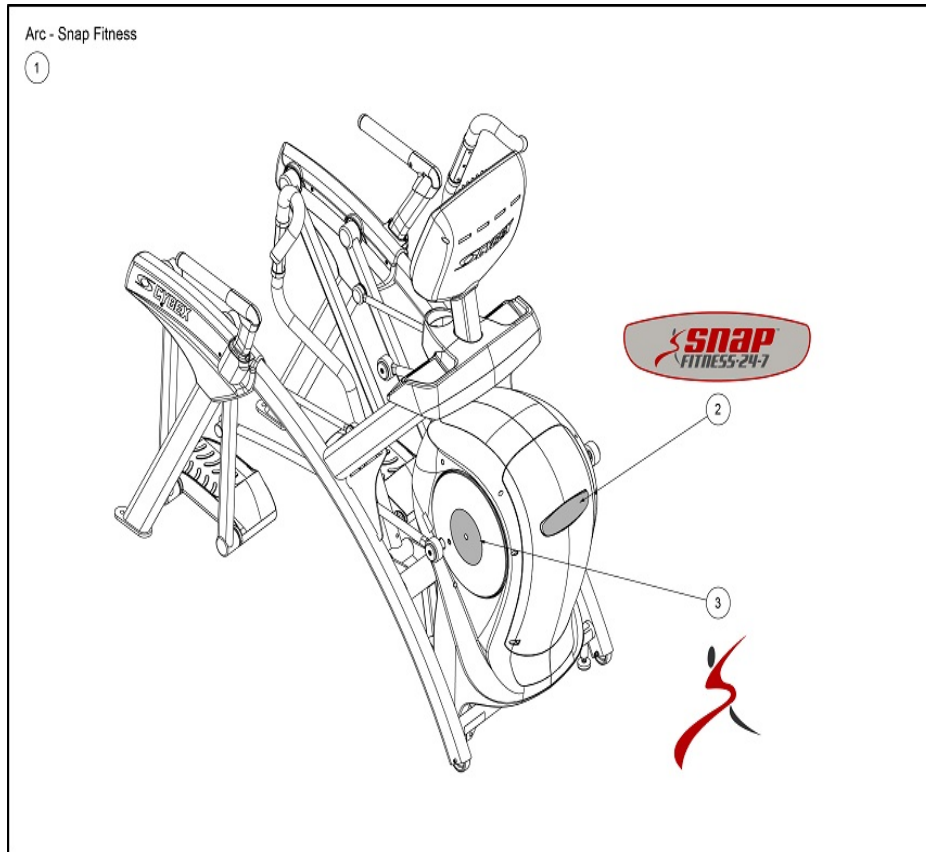
1/5/2019 5:00:46 AM



Table of Contents

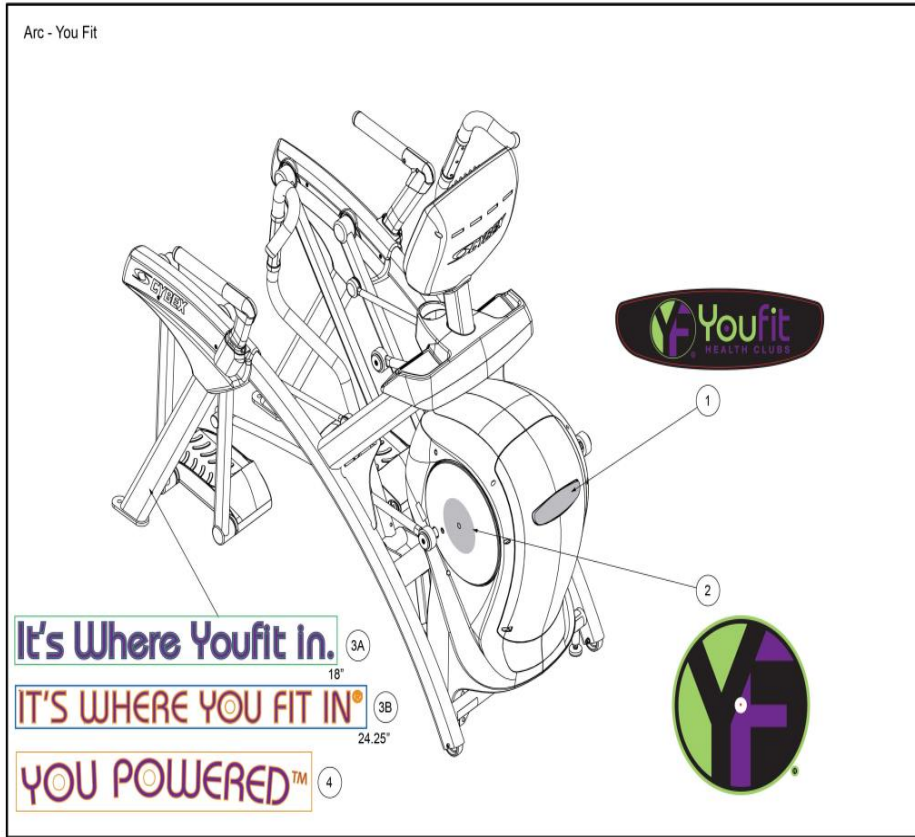
Arc Snap Fitness.....	3
Arc You Fit.....	4
62x Arc Planet Fitness.....	5
625AT Arm Linkage Assembly.....	6
625AT E3 View - Console Assembly.....	7
625AT E3 View - Console Cables.....	9
625AT E3 View - Console Tray Assembly.....	10
625AT E3 View - Drive Frame Assembly.....	11
625AT E3 View - Foot Plate Assembly.....	13
625AT E3 View - Handle Assembly.....	14
625AT E3 View - Lower Electronics.....	16
625AT E3 View - Rear Cover Assembly.....	17
625AT, 626AT - Hardware Manual and Power Cords.....	18
625AT/770AT Cruiser Handle Kit.....	20
625 Arc Drive Frame Detail.....	22
750A Linkage Assembly.....	24

Arc Snap Fitness



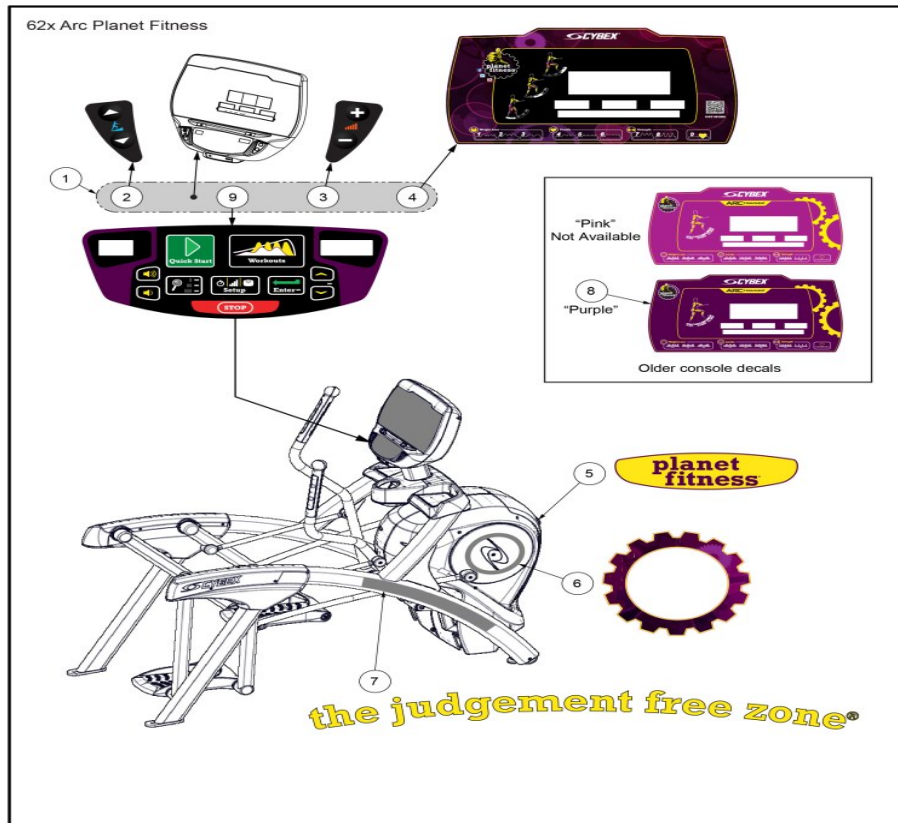
Ref #	Part Number	Qty	Description
1	625A-060S	1	BRANDING PACKAGE S, SNAP FITNESS
2	750A-410	1	Decal Logo Snap Fitness
3	630A-335	2	DECAL SNAP FITNESS RUNNING MAN 10.00

Arc_You_Fit



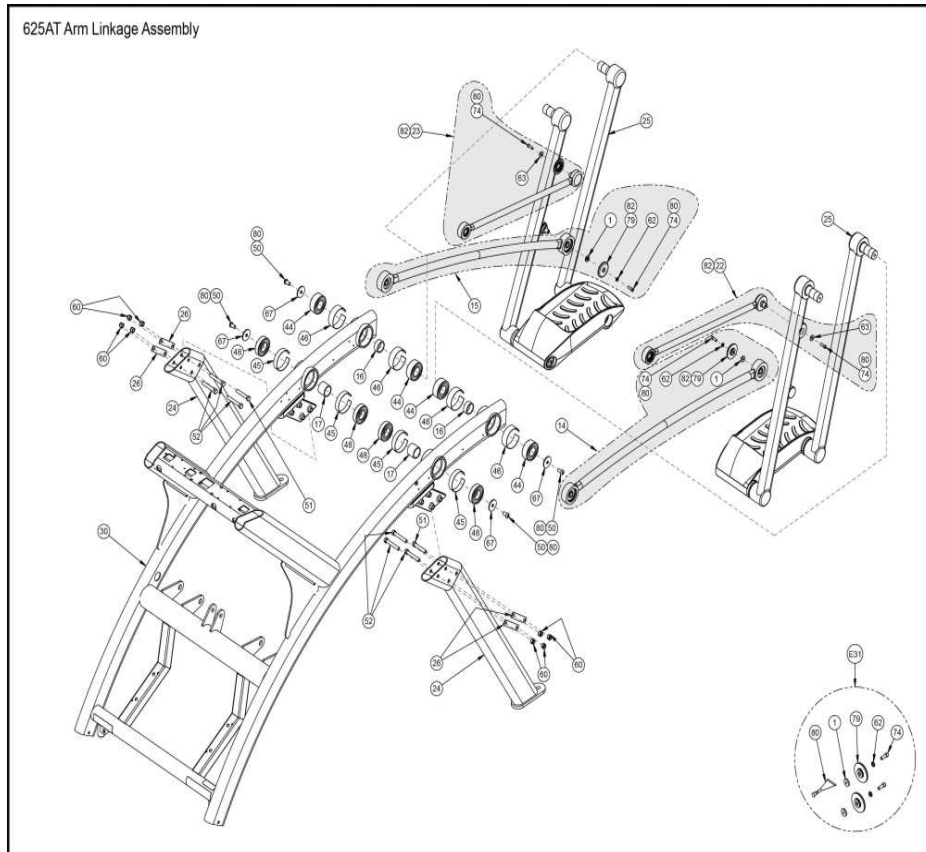
Ref #	Part Number	Qty	Description
1	DE-60297	1	DECAL, YOUFIT ARC DOME
2	DE-60281	2	DECAL, ARC YF SIDE PLATE
3B	DE-60301	2	DECAL, ITS WHERE YOU FIT IN, YOUFIT
3A	DE-60296	2	DECAL, ARC YF STRAIGHT LEG
4	DE-60300	2	DECAL, YOU POWERED, YOUFIT

62x Arc Planet Fitness



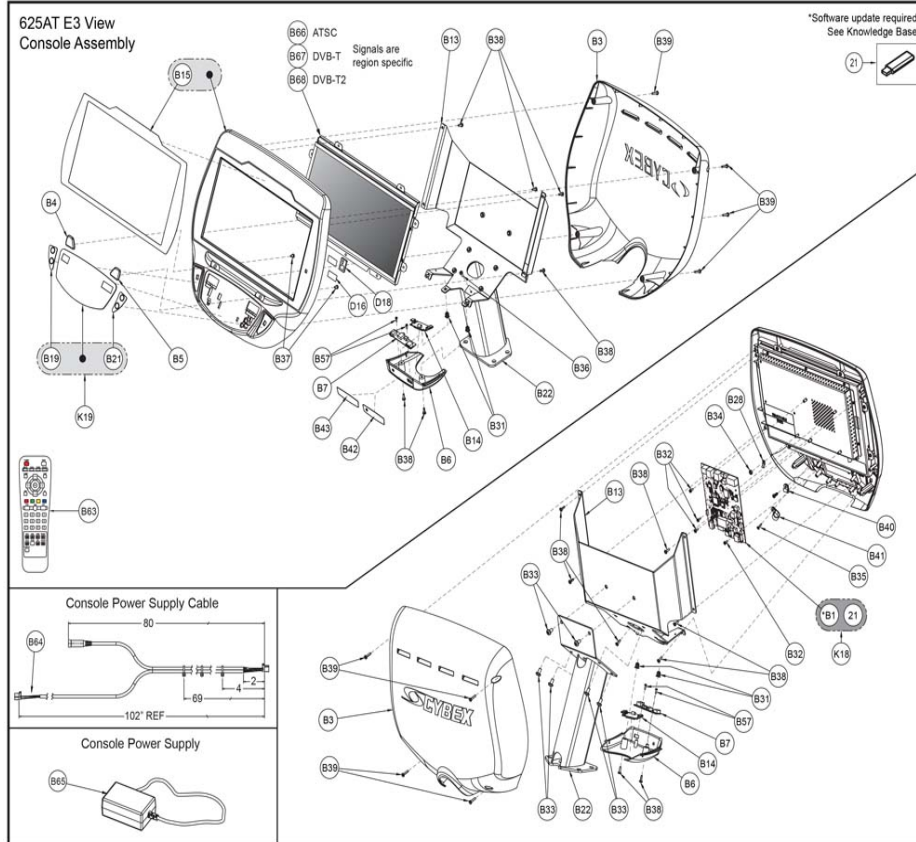
Ref #	Part Number	Qty	Description
1	K625A-314-PF	1	KIT, BEZEL, W KEYPAD DECAL, 62X, PF
2	770A-386	1	THUMB SWITCH, LEFT, INCLINE
3	770A-387	1	THUMB SWITCH, RIGHT, RESISTANCE
4	ODE-24610-4	1	MEMBRANE PF 625AT UPPER DISPLAY
5	750A-411	1	Decal Logo Planet Fitness
6	DE000021	2	DECAL, ARC DISK, PLANET FITNESS
7	DE-60294	2	DECAL, FRAME PLANET FITNESS
8	DE-60295	1	DECAL, ARC DISPLAY PLANET FITNESS
9	OSW-24333-4	1	MEMBRANE, PF 625 HANDSET, ENG

625AT Arm Linkage Assembly



Ref #	Part Number	Qty	Description
1	600A-311	2	SPACER FLANGE
14	750AK006	1	KIT, LINKAGE ROD LEFT
15	750AK007	1	KIT, LINKAGE ROD RIGHT
16	750A-312	2	Tube Spacer
17	750A-325	2	Tube Spacer
22	750AK012	1	KIT, ARM HANDLE LINKAGE LH
23	750AK013	1	KIT, ARM HANDLE LINKAGE RH
24	770A-201	2	W/ LEG Custom
25	770AK010	4	KIT, FOOT PLATE ARM, REAR
26	771A-322	4	PLATE, SPACER
30	770AT-200	1	W/ MAIN FRAME Custom
44	FB030256	2	BEARING BALL 1.181 DIA DOUBLE ROW
45	FC030003	6	TOLERANCE RING 2.4409 ID
46	FC030011	4	Tolerance Ring .62mm dia
48	HB-17280	4	BEARING,BALL,SINGLE ROW,6206
50	HC700415	4	BHSCS .375-16 X .75
51	HC701228	2	HX HD CAP SC .375-16 X 2.25
52	HC701230	6	HX HD CAP SC .375-16 X 2.500
60	HN704901	8	LOCKNUT .375-16 NYLON
62	HS307601	4	WASH FLAT .281 .500 .062 T
63	HS307603	2	WASHER FLAT .253 ID X .750 OD X .120
67	HS347602	4	WASHER .390 X 1.500 X .124 FLAT

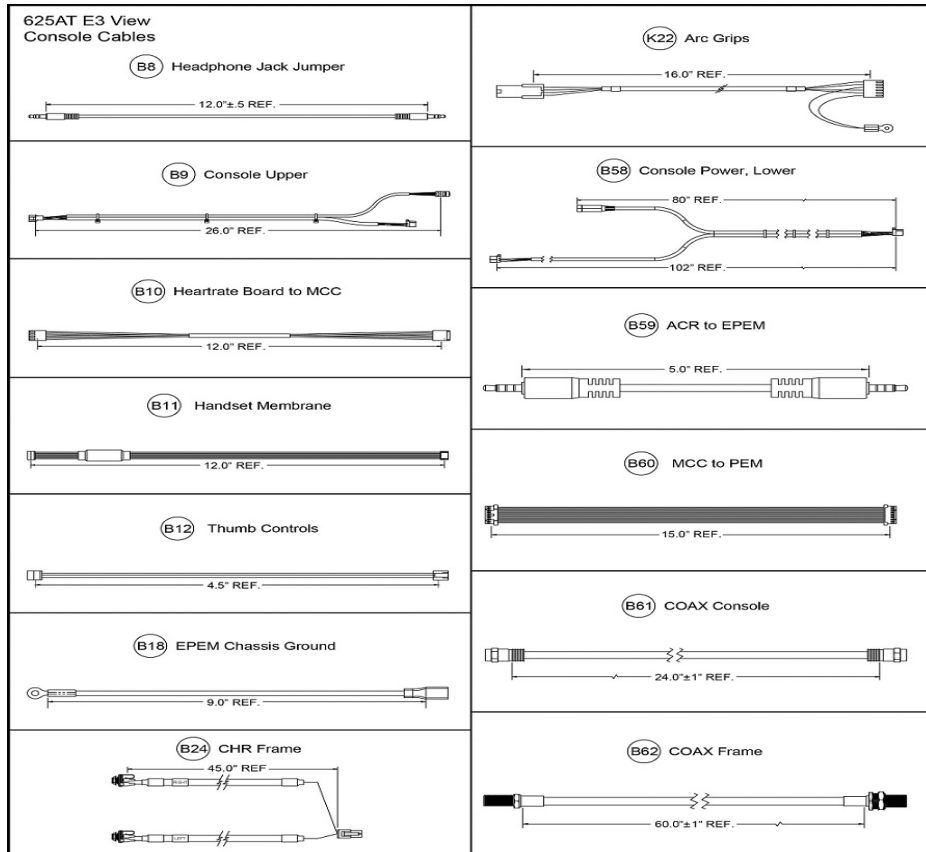
625AT E3 View - Console Assembly



Ref #	Part Number	Qty	Description
B1	525AT-407	1	PCA, MCC, UNPROGRAMMED, IPOD, 525AT, C, R
B3	770A-326	2	CONSOLE BACK, 625A-770A
B4	770A-328	1	BACK TAB, SMALL CONSOLE, LEFT
B5	770A-329	1	BACK TAB, SMALL CONSOLE, RIGHT
B6	770A-330	2	COVER, HEADPHONE JACK DOOR, SMALL CONSOLE
B7	770A-347	2	PCA, HANDSET AUDIO JACK
B13	770A-353	2	CONSOLE MOUNTING PLATE, 770, 625
B14	770A-379	2	SENSOR, HEART RATE COMBO
B15	770A-385	1	DECAL, UPPER DISPLAY, PEM, ARC
D16	01250	1	TAPE DOUBLE COATED 0.75
K18	K525AT-407	1	KIT, PCA MCC, 525 ARC
D18	AX-24912	1	KIT, EPDM IR RCVR CBL, IR SENSOR
K19	K626A-325	1	Kit 626 LED Bezel w/dec
B19	770A-386	1	THUMB SWITCH, LEFT, INCLINE
B21	770A-387	1	THUMB SWITCH, RIGHT, RESISTANCE
K21	CP-23199	1	USB 2.0 FLASH DRIVE, BLANK CDW 424820 for kit PKCP-23201
B22	770AT-205	2	W CONSOLE
B28	ES000004	1	TAB, FASTON 250 SERIES
B31	HF540200	4	GROMMET NYLON
B32	HJ532510	4	SCREW, SEMS, 6-32 X .38 PNHD PHIL EXT BLK ZN
B33	HJ622512	6	SCREW, SEMS, .25-20 X .50 PNHD PHIL EXT BLK ZN

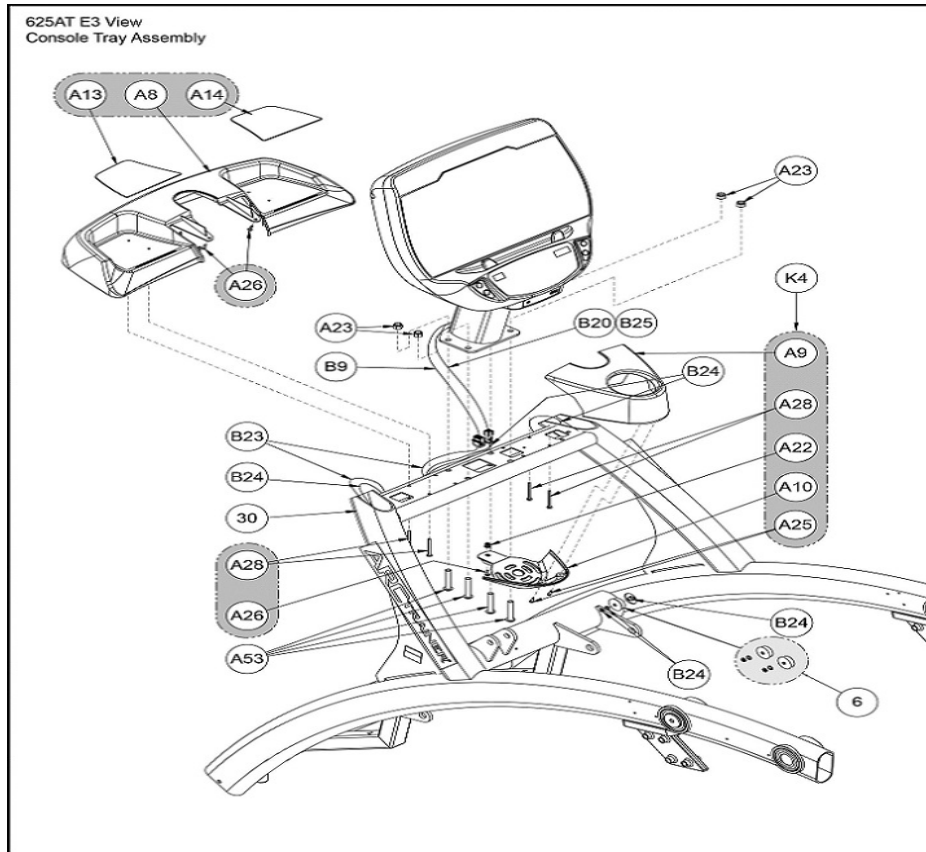
Ref #	Part Number	Qty	Description
B34	HN546300	1	NUT, K NUT 8-32 UNC ZN
B35	HT532512	1	PN HD PHIL SC #6 X .50 PLASTITE
B36	HT542512	1	PAN HD PHIL HD SELF TAPPING, 8-32 X .50 TYPE 23
B37	HT552509	2	TAP SC NO 8-16 X .31 PLASTITE PN HD PHIL
B38	HT552512	14	TAP SC NO. 8-16 X .50 PLASTITE PAN HEAD PHILLIPS BLACK
B39	HT552515	8	TAP SC NO. 8-16 X .75 PLASTITE PN HD PHIL BLK
B40	PN000001	1	CLAMP, CABLE .18 DIAMETER STANDARD
B41	PN140001	1	CLAMP, CABLE .56 DIAMETER
B42	770A-381	1	DECAL , HEADPHONE JACK ONLY
B43	770A-382	1	DECAL, HEADPHONE JACK BLANK
B57	HT042510	4	PN HD PHIL SC #4 X .375 PLASTITE
B63	625A-335	1	REMOTE, EPEM, PDI
B64	AW-23339	1	CABLE,770A CONSOLE LOWER,POWER
B65	TR-25809	1	Power Supply
B66	PKCP-22564	1	R&R NC KIT,e3 Replacement ATSC
B66	PKRA-22564	1	NC KIT,E3 REFURBISHED ATSC (use PKCP-22564)
B67	PKCP-22565	1	KIT,e3 Replacement DVBT
B67	PKRA-22565	1	NC KIT,E3 REFURBISHED DVBT
B68	CP-25454	1	PEM,OPEN FRAME,DVBT2
B68	PKCP-25810	1	KIT,E3 Replacement DVBT2

625AT E3 View - Console Cables



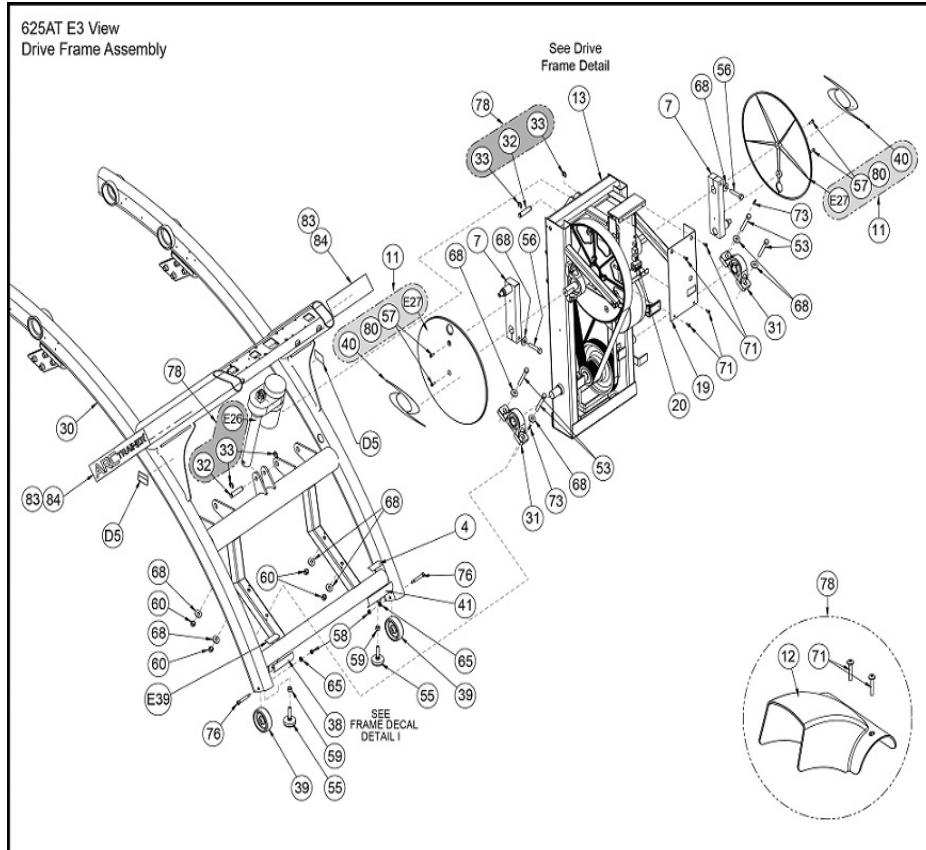
Ref #	Part Number	Qty	Description
B8	770A-357	1	CABLE, HEADPHONE JACK JUMPER, ARC
B9	AW-23849	1	CABLE, 525AT CONSOLE UPPER
B10	770A-361	1	CABLE, ARC HRBOARD TO MCC
B11	770A-364	1	CABLE, HANDSET MEMBRANE, ARC
B12	770A-365	1	CABLE, THUMB CONTROLS
B18	770A-412	1	CABLE, EPEM CHASSIS GROUND
K22	KAW-23550	1	KIT, ARC GRIPS TTL BODY
B24	AW-21415	1	Cable CHR Frame
B58	AW-23339	1	CABLE, 770A CONSOLE LOWER, POWER
B59	770A-355	1	CABLE, 770ACR, TO PEM AV
B60	770A-356	1	CABLE, 770ACR, MMC TO PEM AV
B61	AW-23827	1	CABLE, 2' COAX 3GHZ F-TYPE M-M JUMPER
B62	AW-23828	1	CABLE, 770A, RG59 COAX, X FRAME

625AT E3 View - Console Tray Assembly



Ref #	Part Number	Qty	Description
K4	770AK030	1	Kit, Tray 770A
6	770ATK010	1	KIT, CABLE NUT-WASHER
A8	770A-316	1	TRAY ACCESSORY
B9	AW-23849	1	CABLE,525AT CONSOLE UPPER
A9	770A-317	1	HOLDER, CUP, TOP
A10	770A-318	1	HOLDER, CUP,BOTTOM
A13	770A-331-4	1	DECAL, WARNING, LOWER 770A CONSOLE- English
A14	770A-332-4	1	DECAL, WARNING, LOWER 770A CONSOLE- English
B20	770AT-317	1	NLA: CABLE, 770AT, CHR JUMPER
A22	HF540200	1	GROMMET NYLON
B23	AW-20935	1	Cable Frame Harness
A23	HN704901	4	LOCKNUT .375-16 NYLON
B24	AW-21415	5	Cable CHR Frame
B25	AW-23417	1	*CABLE,770AT CHR CONSOLE
A25	HT532512	1	PN HD PHIL SC #6 X .50 PLASTITE
A26	HT552512	3	TAP SC NO. 8-16 X .50 PLASTITE PAN HEAD PHILLIPS BLACK
A28	HT592526	4	Tap Sc 10-12 x 2.00 Pn Hd Phil
30	770AT-200	1	W/ MAIN FRAME Custom
A53	HC700430	4	BHSCS .375-16 X 2.50

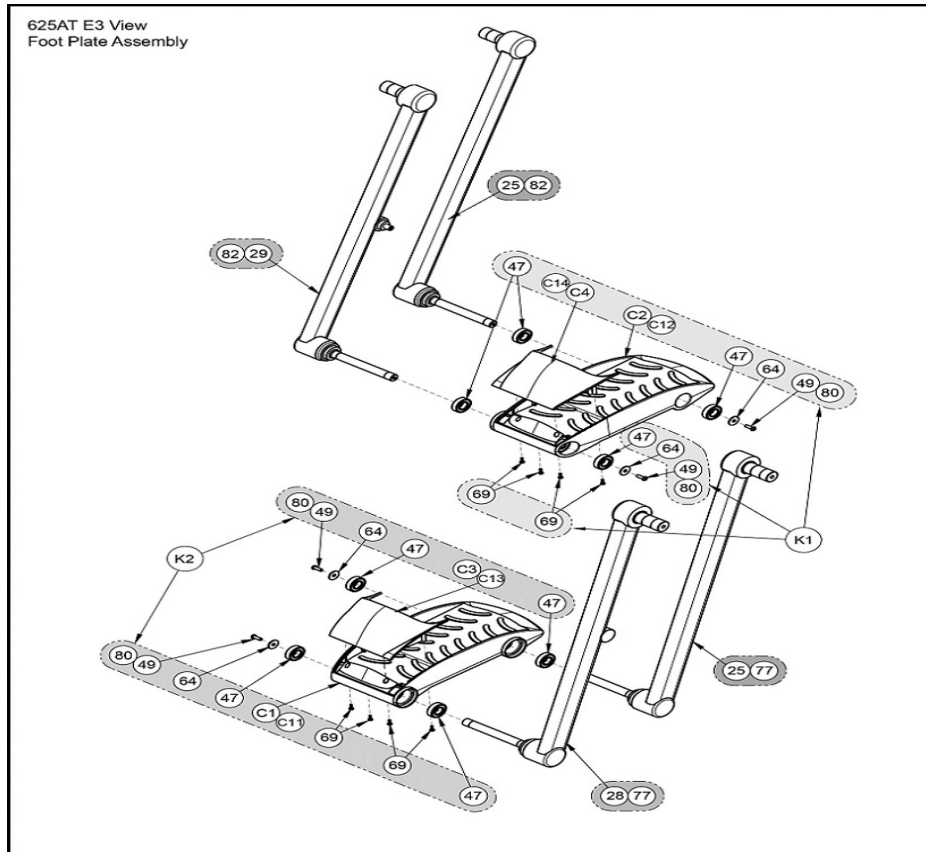
625AT E3 View - Drive Frame Assembly



Ref #	Part Number	Qty	Description
4	600A-362	1	LABEL PATENT BIOSIG
D5	DE-17219	2	DECAL CAUTION MOVING PARTS
7	610A-395	2	ASSY ARM CRANK
11	1008223-0001	2	KIT: COVER, CRANK, FLAT
12	740A-354	1	Cover Elevation Motor
13	770A-101	1	DRIVE FRAME ASSEMBLY
19	750A-365	1	Cover Controller
20	750A-396	1	Ferrite Clamp-on .40 ID
E27	1006629-0002	2	COVER, CRANK-CHR
30	770AT-200	1	W/ MAIN FRAME Custom
31	AF-16694	1	ASSY,BEARING,PILLOW BLOCK
32	AP030055	2	Pin Groove .50 x 2.00
33	BR030228	3	Retaining Ring .500 External
38	CM000199	1	DECAL SERIAL NUMBER
39	CW-17231	2	WHEEL, TENSIONER
E39	750A-372	1	Decal Warning
40	DE-17339	2	DECAL CYBEX VORTEX
41	DE-21625	1	Label ETL CSA CE 750A
53	HC701234	4	HX HD CAP SC .375-16 X 3.00
55	HG700022	2	LEVELING GLIDE 3-8-16
56	HH701226	2	BOLT, HHCS GRD 8, .375-16 X 2.0
57	HM582514	4	PN HD PHIL SC NO 10-32 X .625 BLK ZN

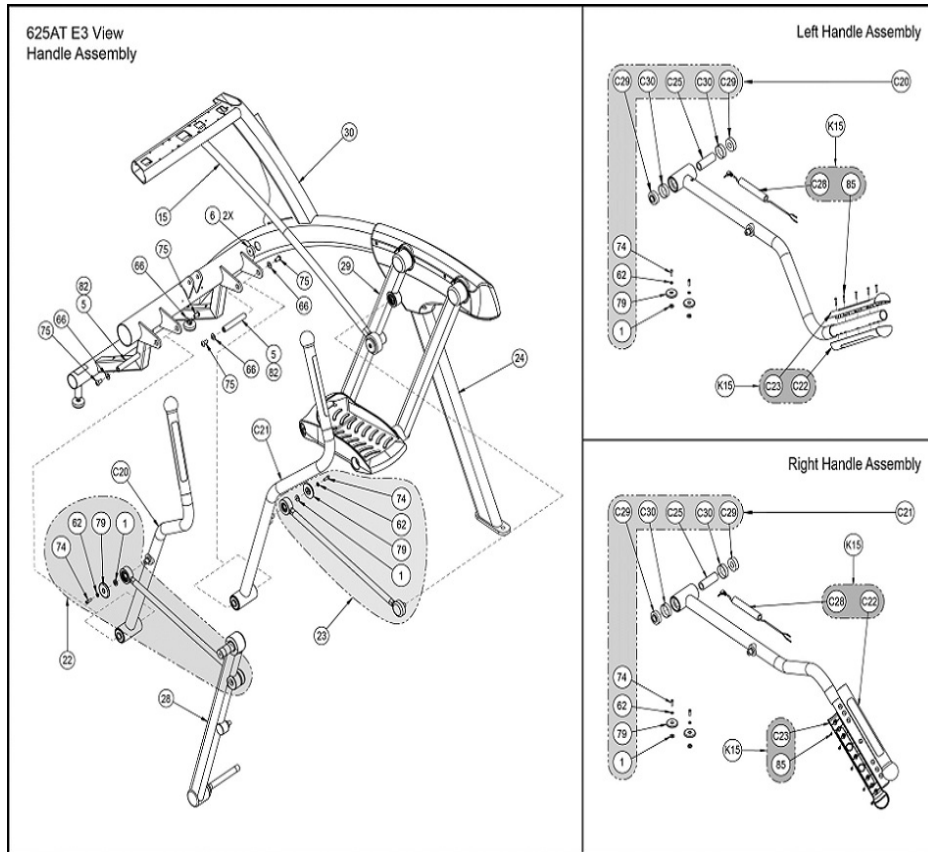
Ref #	Part Number	Qty	Description
58	HN624901	2	LOCKNUT .250-20 NYLON BLACK ZINC
59	HN704000	2	HEX NUT .375-16
60	HN704901	4	LOCKNUT .375-16 NYLON
65	HS328300	2	LOCKWASHER SPLIT .312
68	HS347700	10	WASHER USS .375
71	HT572512	5	TAP SC NO. 10 - 24 X .50 PN HD PHIL
73	HX-17023	2	PIN,SPRING .187X.813 LG,TYPE 420,ST STL
76	JD623324	2	S BOLT .312 X 1.75 .250-20
78,E26	750AK025	3	KIT, ELEVATION MOTOR
80	YA000201	2	ADH THRD LKR REM .02 OZ 242
83	770A-337	2	DECAL, ARC TRAINER BLACK
84	770A-338	2	DECAL, ARC TRAINER

625AT E3 View - Foot Plate Assembly



Ref #	Part Number	Qty	Description
K1	750AK002	3	KIT, FOOT PLATE RIGHT
C1	740A-378	4	Foot Plate LH
K2	750AK003	2	KIT, FOOT PLATE LEFT
C2	740A-379	1	Foot Plate RH
C3	740A-380	1	Toe Cap LH
C4	740A-381	1	Toe Cap RH
C11	740A-392	2	FOOT PLATE, LH
C12	740A-393	1	FOOT PLATE, RH
C13	740A-394	1	TOE CAP, LH
C14	740A-395	1	TOE CAP, RH
25	770AK010	2	KIT, FOOT PLATE ARM, REAR
28	770AK008	1	KIT, FOOT PLATE ARM, FRONT LEFT SIDE
29	770AK009	1	KIT, FOOT PLATE ARM, FRONT RIGHT SIDE
47	HB-17036	8	BEARING,BALL, .750DIA
49	HC620415	4	BHSCS .250-20 X .75, BL ZN
64	HS307604	4	WASHER, FLAT .281 ID X 1.000 OD X .063 TH BL ZN
69	HT552512	8	TAP SC NO. 8-16 X .50 PLASTITE PAN HEAD PHILLIPS BLACK

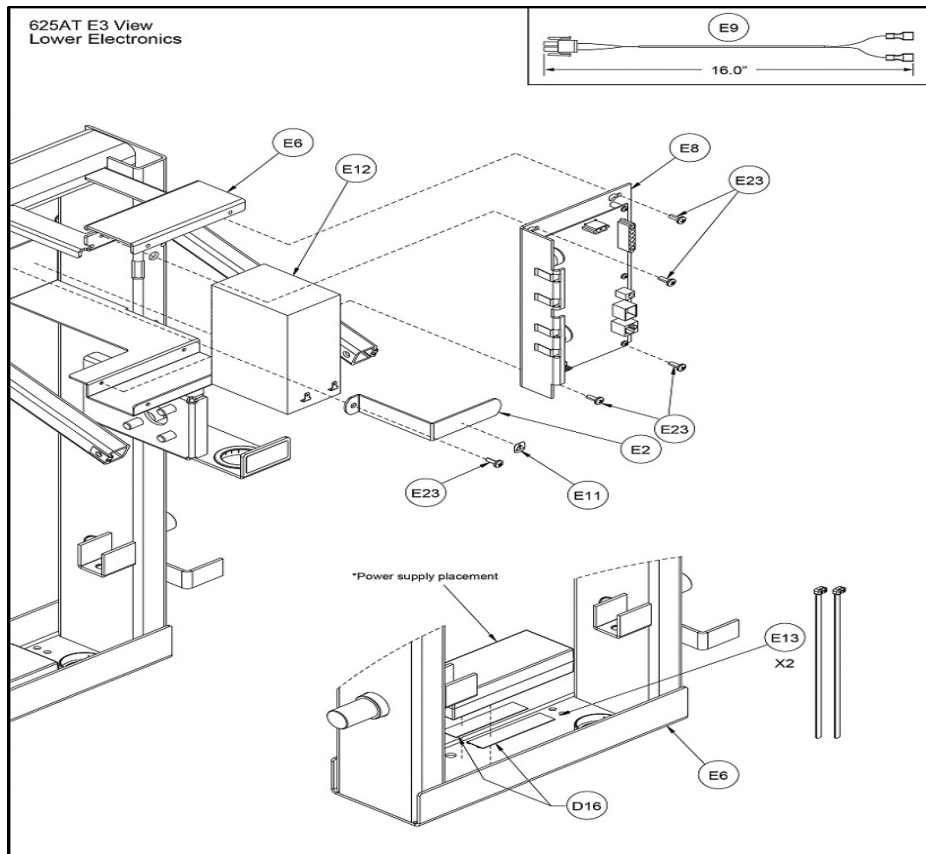
625AT E3 View - Handle Assembly



Ref #	Part Number	Qty	Description
1	600A-311	5	SPACER FLANGE
5	610A-351	2	PIN PIVOT
6	610AK021	2	KIT PLUG INSERT
15	750AK007	1	KIT, LINKAGE ROD RIGHT
K15	625ATK014	4	KIT, CONTACT GRIPS WITH WIRES
C20	625ATK006	2	KIT, ARM HANDLE, LEFT SIDE
C21	625ATK007	2	KIT, ARM HANDLE, RIGHT SIDE
C22	425A-378	2	GRIP HOUSING WITH METAL PLATEFRONT
22	750AK012	1	KIT, ARM HANDLE LINKAGE LH
C23	425A-379	2	GRIP: CHR BACK, W/SCREWS
23	750AK013	1	KIT, ARM HANDLE LINKAGE RH
24	770A-201	1	W/ LEG Custom
C25	610A-356	2	TUBE SPACER
28	770ATK008	2	NLA: KIT, FOOT PLATE ARM, FRONT LEFT SIDE
C28	AW-18286	2	CABLE 610A CHR GRIP
C29	FB030232	4	BRG RADIAL 17MM ID EXT RACE
29	773ATK010	1	KIT, FOOT PLATE ARM, FRONT RIGHT SIDE
30	770AT-200	1	W/ MAIN FRAME Custom
C30	FC030006	4	TOLERANCE RING 1.575 ID
62	HS307601	4	WASH FLAT .281 .500 .062 T
66	HS347600	4	WASHER SAE .375
74	HX622815	3	SHCS .250-20 X .75 SS

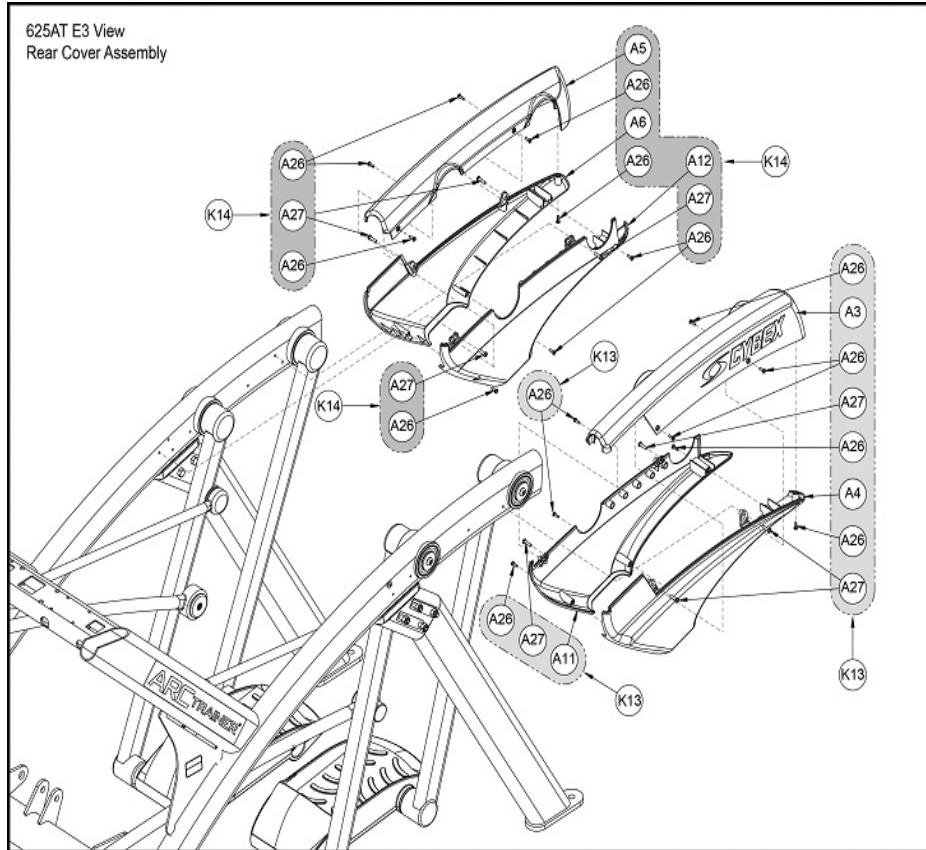
Ref #	Part Number	Qty	Description
75	HX700415	4	BHSCS .375-16 X .75 SS
79	600AK012	4	KIT LINKAGE CAP
85	HT532515	2	PN HD PHIL SC NO 6 X .75 PLASTITE

625AT E3 View - Lower Electronics



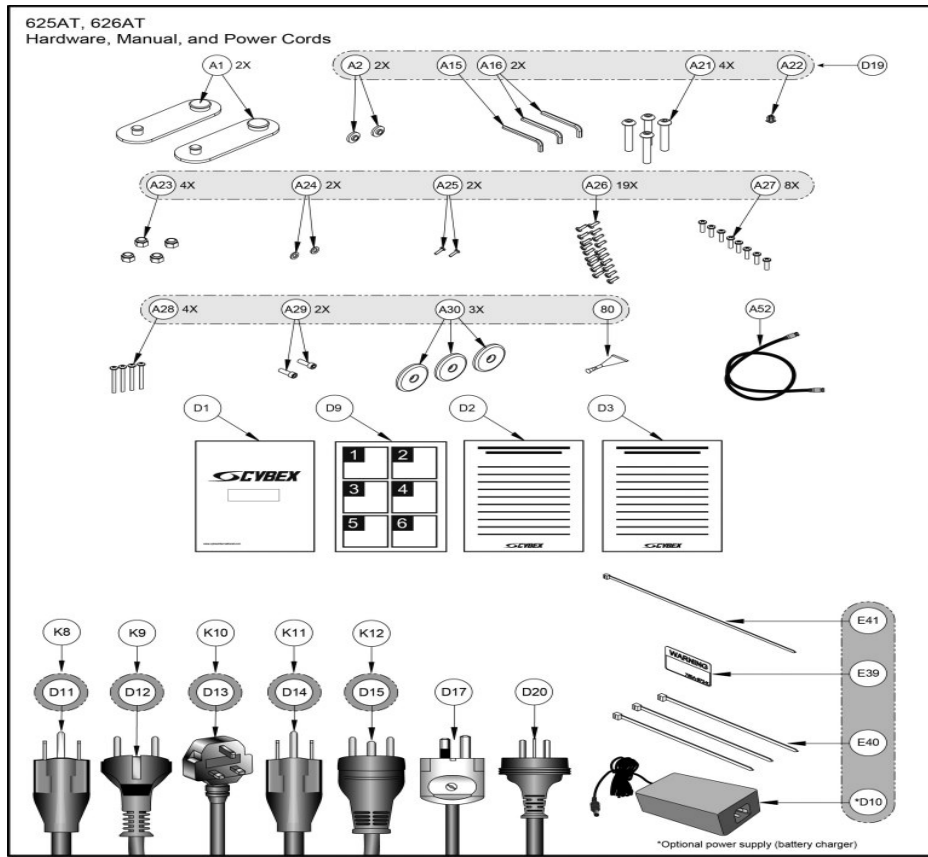
Ref #	Part Number	Qty	Description
E2	630A-314	1	CLAMP BATTERY
E6	750A-212	2	W Frame
E8	AD-23681	1	PCA,770A 625A,LOWER CONTROLLER
E9	AW-18447	1	CABLE SPA BATTERY
E11	DE-19586	1	LABEL WARNING ICON
E12	EC-18267	1	BATTERY 12V 7AHR
E13	EW000028	2	CABLE TIE 8.00
D16	01250	2	TAPE DOUBLE COATED 0.75
E23	HT572512	4	TAP SC NO. 10 - 24 X .50 PN HD PHIL

625AT E3 View - Rear Cover Assembly



Ref #	Part Number	Qty	Description
A3	625A-310	1	COVER, REAR, TOP, LH
A4	625A-311	1	COVER, REAR, OUTER, LH
A5	625A-312	1	COVER, REAR, TOP, RH
A6	625A-313	1	COVER, REAR, OUTER, RH
A11	770A-321	1	COVER, REAR, INNER, LH
A12	770A-324	1	COVER, REAR, INNER, RH
K13	625ATK004	3	KIT, PIVOT COVER, LEFT SIDE
K14	625ATK005	3	KIT, PIVOT COVER, RIGHT SIDE
A26	HT552512	16	TAP SC NO. 8-16 X .50 PLASTITE PAN HEAD PHILLIPS BLACK
A27	HT572515	8	SCREW, PAN HEAD PHILIPS 10-24 X .75 TYPE 23, BLK

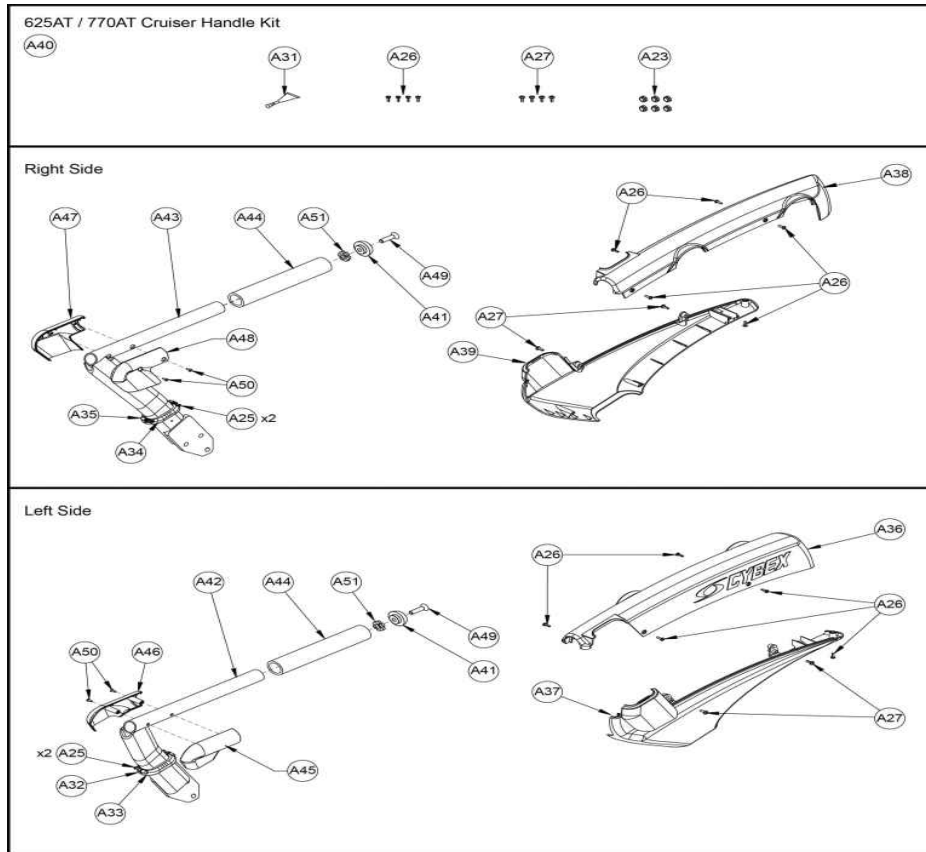
625AT, 626AT - Hardware Manual and Power Cords



Ref #	Part Number	Qty	Description
A1	12090-322	2	PAD FOOT
D1	5625	1	MANUAL M ASSEMBLY
D2	625A-330	1	WARRANTY SHT COMMERCIAL ARC 625
A2	600A-311	2	SPACER FLANGE
D3	625A-331	1	WARRANTY SHT CONSUMER ARC 625
D9	625A-328	1	POSTER, ASSY INSTR.
K9	750AK033	1	KIT VOLTAGE ASSY 220V/50HZ EUROPE NON UK
D10,K8	TR-22382	2	Power supply
K10	750AK034	1	Kit Voltage Assy 220V/10A UK
D11	EW600007	1	POWER CORD, NEMA5-1 5PTOIEC320 C13 LA, 10A
K11	750AK035	1	KIT VOLTAGE ASSY 110V/50HZ JAPAN
D12	EW600008	1	POWER CORD, CEE 7/7 TO IEC320 C13 LA, 10A
K12	750AK036	1	KIT, VOLTAGE ASSEMBLY 10A/250V DANISH
D13	EW600009	1	POWER CORD, BS 1363UK10 TO IEC320 C13 LA, 10A
D14	EW600010	1	POWER CORD, JIS 8303 TO IEC320 C13 LA, 12A
A15	BK030201	1	HEX KEY .188IN
D15	EW600011	1	POWER CORD, DANISH DK2-1A TO IEC320 C13 LA, 12A
A16	BK030204	2	HEX KEY .219IN
D17	EW600012	1	POWER CORD, AS/NZS3112TOIEC320C13 LA, 10A
D19	626AT-340	1	HARDWARE PACK, 626AT

Ref #	Part Number	Qty	Description
D20	OAW-25706	1	POWER CORD, 10A/250V, 2.5MM CHINESE TO C13
A21	HC700428	4	BHSCS .375-16 X 2.25
A22	HF540200	1	GROMMET NYLON
A23	HN704901	4	LOCKNUT .375-16 NYLON
A24	HS307601	2	WASH FLAT .281 .500 .062 T
A25	HT532512	2	PN HD PHIL SC #6 X .50 PLASTITE
A26	HT552512	19	TAP SC NO. 8-16 X .50 PLASTITE PAN HEAD PHILLIPS BLACK
A27	HT572515	8	SCREW, PAN HEAD PHILIPS 10-24 X .75 TYPE 23, BLK
A28	HT592526	4	Tap Sc 10-12 x 2.00 Pn Hd Phil
A29	HX622815	2	SHCS .250-20 X .75 SS
A30	600AK012	3	KIT LINKAGE CAP
E39	750A-372	1	Decal Warning
E40	EW000028	1	CABLE TIE 8.00
E41	EW000029	1	CABLE TIE 15.00
A52	770A-427	1	CABLE, 6', RG59 COAX F-TYPE M-M

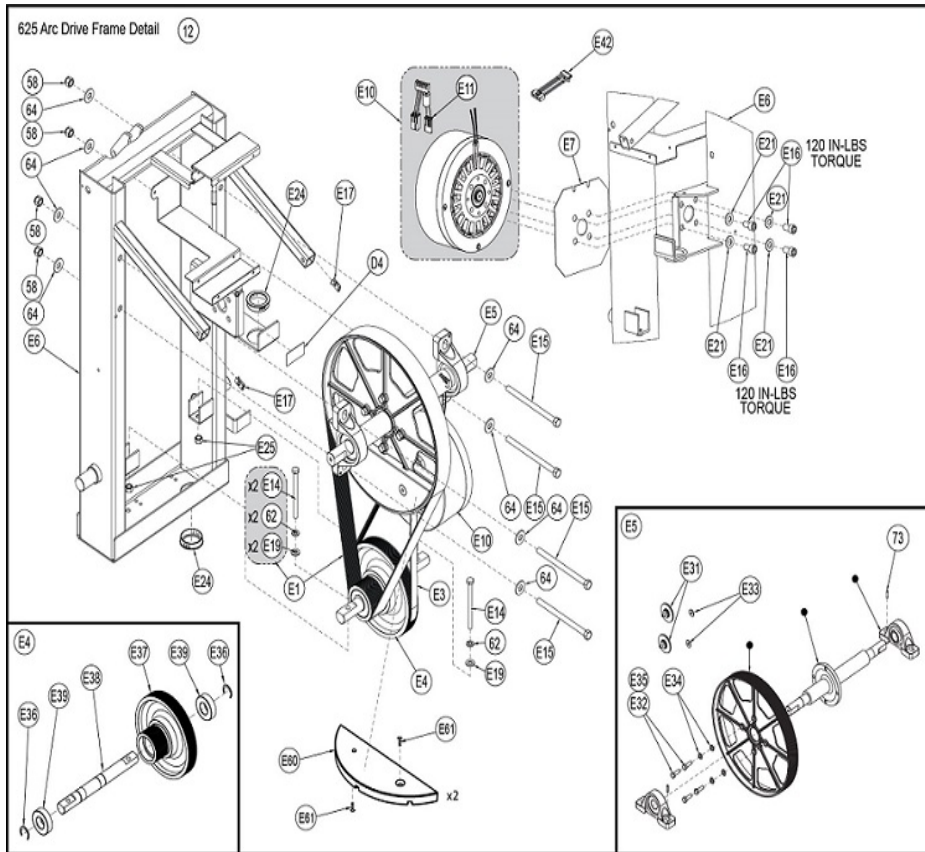
625AT/770AT Cruiser Handle Kit



Ref #	Part Number	Qty	Description
A23	HN704901	6	LOCKNUT .375-16 NYLON
A25	HT532512	4	PN HD PHIL SC #6 X .50 PLASTITE
A26	HT552512	14	TAP SC NO. 8-16 X .50 PLASTITE PAN HEAD PHILLIPS BLACK
A27	HT572515	8	SCREW, PAN HEAD PHILIPS 10-24 X .75 TYPE 23, BLK
A31	YA000201	1	ADH THRD LKR REM .02 OZ 242
A32	770A-334	1	COLLAR, LH INNER
A33	770A-335	1	COLLAR, LH OUTER
A34	770A-340	1	COLLAR, INNER RH
A35	770A-341	1	COLLAR, OUTER RH
A36	770A-319	1	COVER, REAR, TOP, LH
A37	770A-320	1	COVER, REAR, OUTER, LH
A38	770A-322	1	COVER, REAR, TOP, RH
A39	770A-323	1	COVER, REAR, OUTER, RH
A40	625ATK015	1	KIT, CRUISER HANDLE
A41	770A-401	2	CAP, END, 1.680 OD
A42	770AT-203	1	W/ SIDE HANDLE, LH
A43	770AT-204	1	W/ SIDE HANDLE, RH
A44	770AT-306	2	GRIP, 9.50 INCHES
A45	770AT-310	1	HANDLE COVER OUTSIDE, LH
A46	770AT-311	1	HANDLE COVER INSIDE, LH
A47	770AT-312	1	HANDLE COVER OUTSIDE, RH

Ref #	Part Number	Qty	Description
A48	770AT-313	1	HANDLE COVER INSIDE, RH
A49	HC700922	2	FHSCS .375-16 X 1.500, SS
A50	HT552510	4	TAP SC NO 6-20 X .375 AB PHIL
A51	HF709000	2	NSERT 1.12 X .375-16 UNC

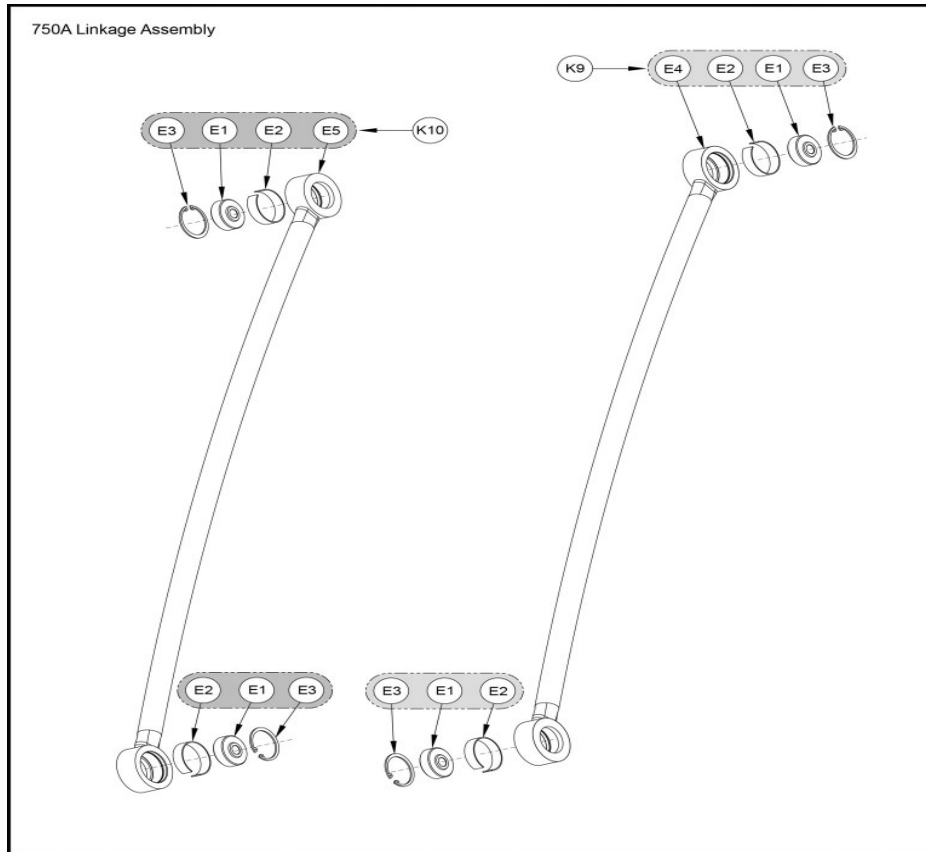
625_Arc_Drive_Frame_Detail



Ref #	Part Number	Qty	Description
E1	600AK020	1	KIT 16 RIB BELT TENSIONING
E3	630A-328	1	BELT SECONDARY DRIVE 7 RIB
E4	750A-110	1	Pulley Assembly Double
D4	DE-17155	1	NLA: LABEL,WARNING HOT FLYWHEEL
E5	600AK002	1	KIT PULLEY CRANK SHAFT
E6	750A-212	1	W Frame
E7	750A-364	1	Spacer Gen Winding
E10	1007425-0001	1	KIT: BRAKE, ARC TRAINER
E11	1006756-0001	2	CONNECTOR, CABLE
12	750A-101	1	Drive Frame Assembly
E14	HC661240	4	HX HD CAP SC .312-18 X 3.75
E15	HC701254	4	HX HD CAP SC .375-16 X 5.50
E16	HC702815	2	SHCS .375-16 X .750
E17	HF579000	2	PANEL FASTENER 10-24 U TYPE
E19	HS327600	4	WASHER SAE .312
E21	HS347600	2	WASHER SAE .375
E24	HX-17050	1	BUSHING,1.275IDX1.87 OD,NYLON INSULATED
E31	600AK012	1	KIT LINKAGE CAP
E32	HC661217	2	HX HD CAP SC .312-18 X 1.000
E33	HS307600	2	WASHER SAE .250
E34	HS760100	4	WASH FLAT .380 .625 .090 T
E35	YA000023	2	LOCTITE PERM 262 PN 26231

Ref #	Part Number	Qty	Description
E36	BR030221	4	RING RETAINING EXT CRESCENT
E37	600AK014	2	KIT LOWER PULLEY ASSY
E38	FM-16859	1	SHAFT,LOWER
E39	FB030243	1	BEARING 25MMIDX52MMOD 6205
E42	OAW-24272	2	CABLE, 625/770A , BRAKE JUMPER
58	HN704901	4	LOCKNUT .375-16 NYLON
E60	FM-19507	1	COUNTERWEIGHT
E61	JC700922	2	FHSCS .375-16 X 1.50
62	HS328300	2	LOCKWASHER SPLIT .312
64	HS347700	4	WASHER USS .375
73	HX-17023	2	PIN,SPRING .187X.813 LG,TYPE 420,ST STL

750A Linkage Assembly



Ref #	Part Number	Qty	Description
E1	FB030244	2	BEARING, .50IDX1.688OD,RADIAL BALL,SELF ALIGN
E2	FC030004	4	TOLERANCE RING 42MM ID
E3	HX-17143	2	RING RETAINING,INT,5000-168
E4,K9	750AK006	2	KIT, LINKAGE ROD LEFT
E5,K10	750AK007	2	KIT, LINKAGE ROD RIGHT

