

ARC TRAINER 625AT TOTAL BODY

625AT-LED-01

Parts Manual

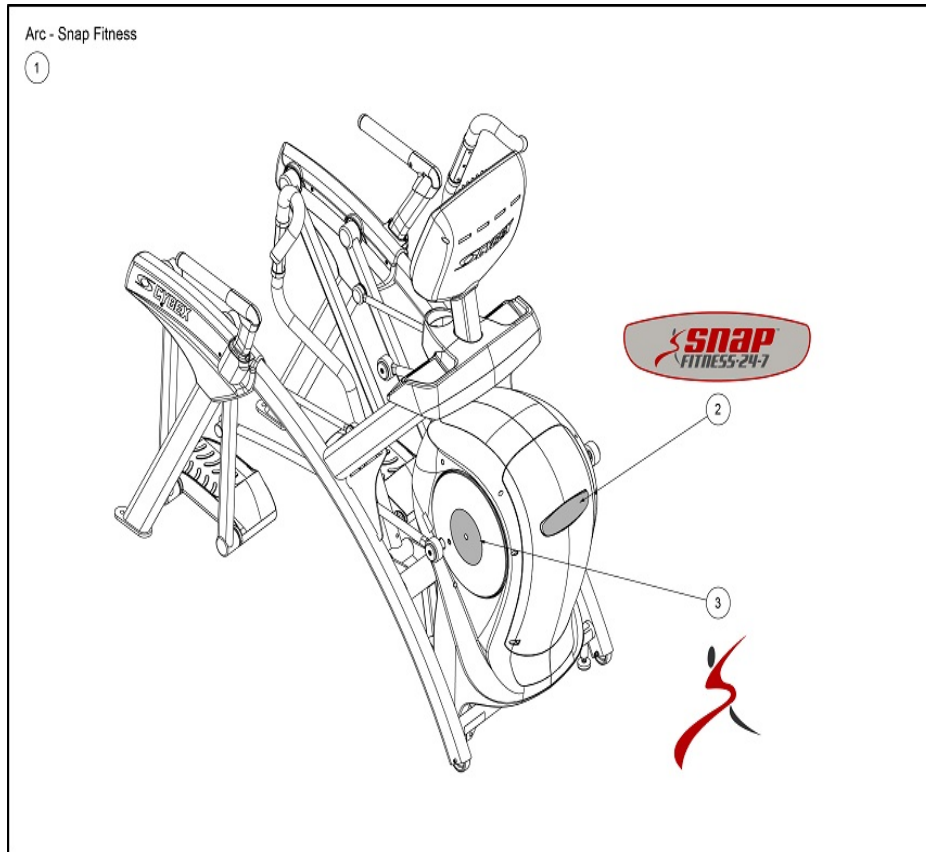
1/5/2019 5:00:47 AM



Table of Contents

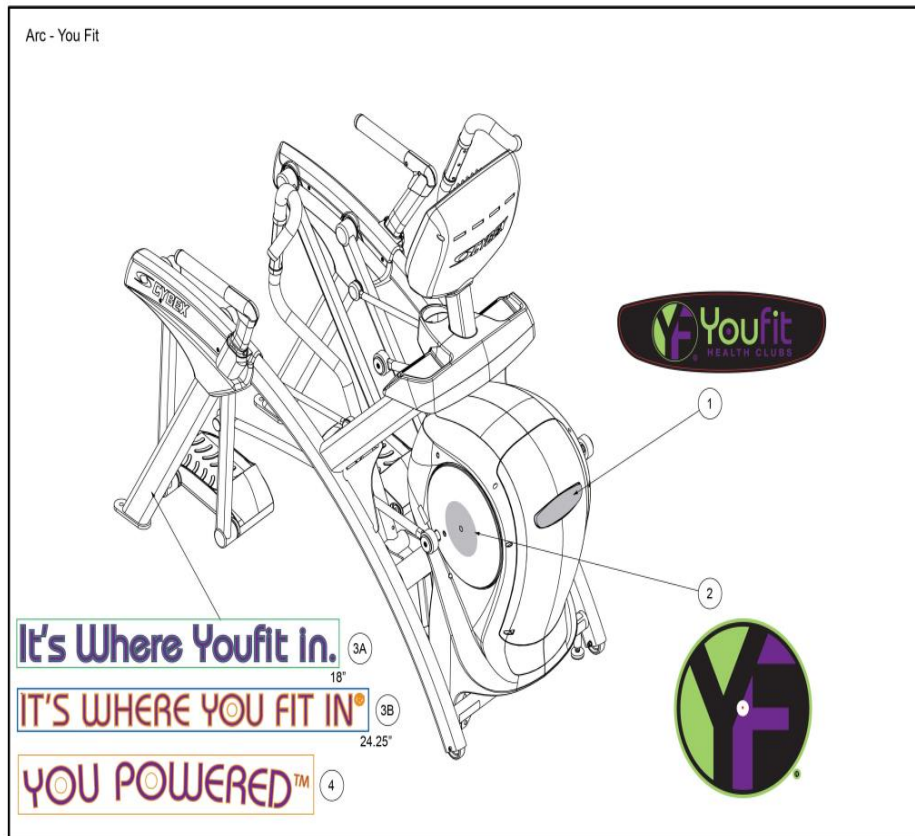
Arc Snap Fitness	3
Arc You Fit	4
62x Arc Planet Fitness	5
625AT Arm Linkage Assembly	6
625AT Console Assembly	8
625AT Console Cables	10
625AT Console Tray Assembly	11
625AT Drive Frame Assembly	12
625AT Foot Plate Assembly	14
625AT Handle Assembly	15
625AT Lower Electronics	17
625AT Rear Cover Assembly	18
625AT Wireless Audio Option	19
625AT/626AT Monitor Bracket Kit Option	20
625AT/770AT Cruiser Handle Kit	21
625AT Shroud Assembly	23
625A/626A Hardware Manual and Power Cords	24
625 Arc Drive Frame Detail	26
750A Linkage Assembly	28

Arc Snap Fitness



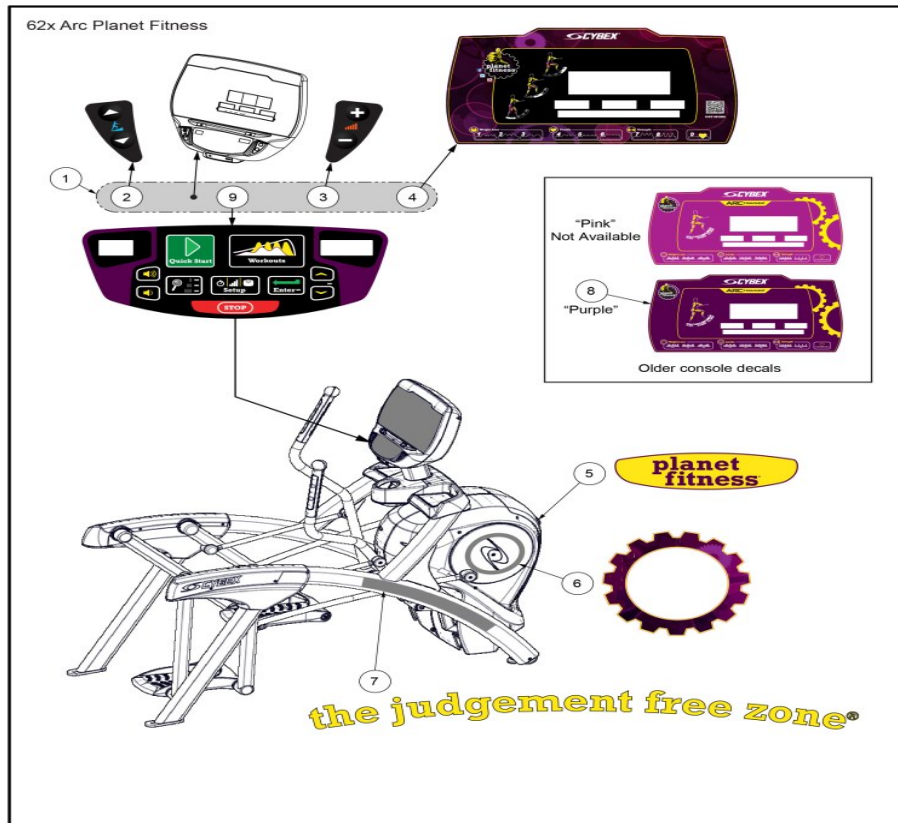
Ref #	Part Number	Qty	Description
1	625A-060S	1	BRANDING PACKAGE S, SNAP FITNESS
2	750A-410	1	Decal Logo Snap Fitness
3	630A-335	2	DECAL SNAP FITNESS RUNNING MAN 10.00

Arc_You_Fit



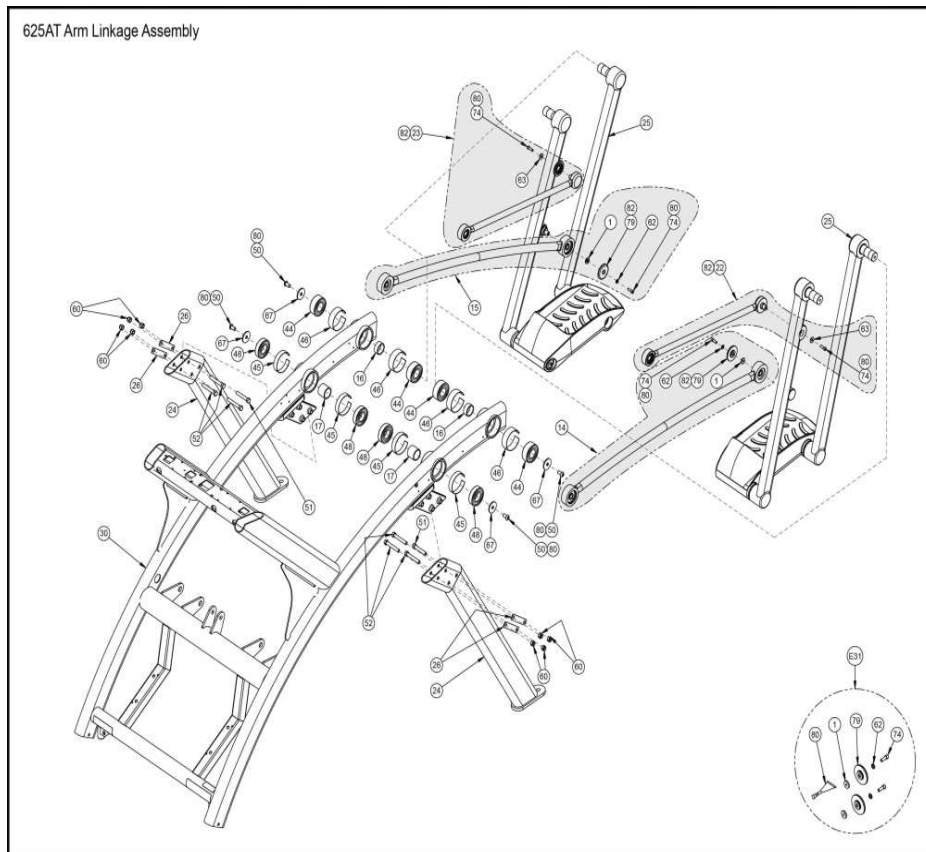
Ref #	Part Number	Qty	Description
1	DE-60297	1	DECAL, YOUFIT ARC DOME
2	DE-60281	2	DECAL, ARC YF SIDE PLATE
3B	DE-60301	2	DECAL, ITS WHERE YOU FIT IN, YOUFIT
3A	DE-60296	2	DECAL, ARC YF STRAIGHT LEG
4	DE-60300	2	DECAL, YOU POWERED, YOUFIT

62x Arc Planet Fitness



Ref #	Part Number	Qty	Description
1	K625A-314-PF	1	KIT, BEZEL, W KEYPAD DECAL, 62X, PF
2	770A-386	1	THUMB SWITCH, LEFT, INCLINE
3	770A-387	1	THUMB SWITCH, RIGHT, RESISTANCE
4	ODE-24610-4	1	MEMBRANE PF 625AT UPPER DISPLAY
5	750A-411	1	Decal Logo Planet Fitness
6	DE000021	2	DECAL, ARC DISK, PLANET FITNESS
7	DE-60294	2	DECAL, FRAME PLANET FITNESS
8	DE-60295	1	DECAL, ARC DISPLAY PLANET FITNESS
9	OSW-24333-4	1	MEMBRANE, PF 625 HANDSET, ENG

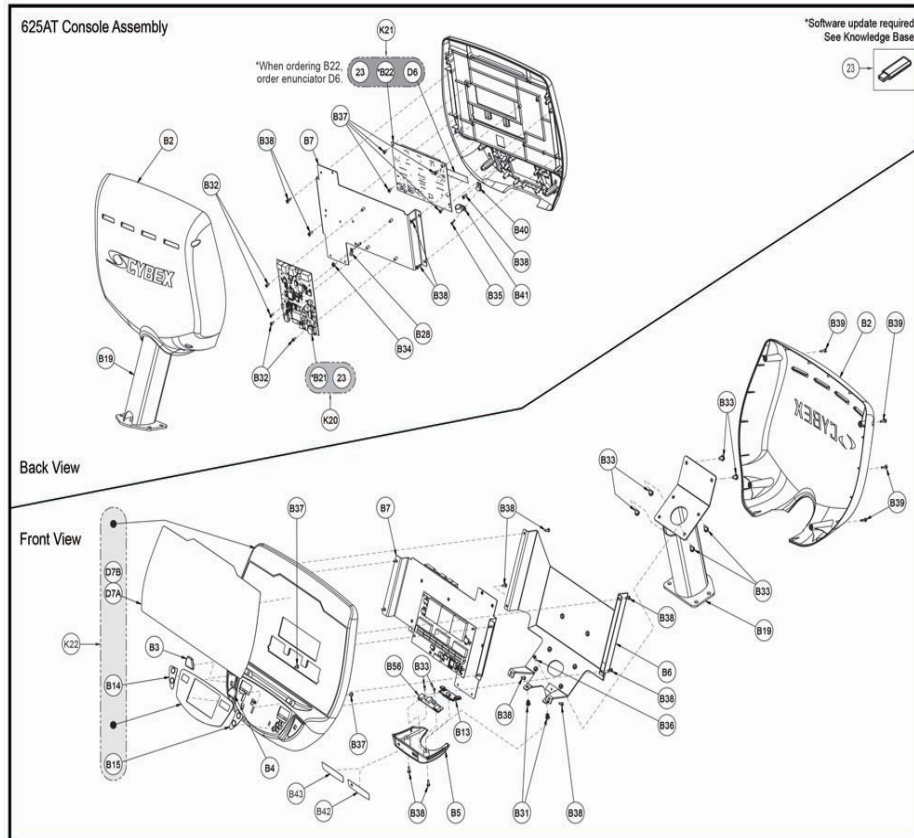
625AT Arm Linkage Assembly



Ref #	Part Number	Qty	Description
1	600A-311	2	SPACER FLANGE
14	750AK006	1	KIT, LINKAGE ROD LEFT
15	750AK007	1	KIT, LINKAGE ROD RIGHT
16	750A-312	2	Tube Spacer
17	750A-325	2	Tube Spacer
22	750AK012	1	KIT, ARM HANDLE LINKAGE LH
23	750AK013	1	KIT, ARM HANDLE LINKAGE RH
24	770A-201	2	W/ LEG Custom
25	770AK010	4	KIT, FOOT PLATE ARM, REAR
26	771A-322	4	PLATE, SPACER
30	770AT-200	1	W/ MAIN FRAME Custom
44	FB030256	2	BEARING BALL 1.181 DIA DOUBLE ROW
45	FC030003	6	TOLERANCE RING 2.4409 ID
46	FC030011	4	Tolerance Ring .62mm dia
48	HB-17280	4	BEARING,BALL,SINGLE ROW,6206
50	HC700415	4	BHSCS .375-16 X .75
51	HC701228	2	HX HD CAP SC .375-16 X 2.25
52	HC701230	6	HX HD CAP SC .375-16 X 2.500
60	HN704901	8	LOCKNUT .375-16 NYLON
62	HS307601	4	WASH FLAT .281 .500 .062 T
63	HS307603	2	WASHER FLAT .253 ID X .750 OD X .120
67	HS347602	4	WASHER .390 X 1.500 X .124 FLAT

Ref #	Part Number	Qty	Description
74	HX622815	4	SHCS .250-20 X .75 SS
79,E31	600AK012	3	KIT LINKAGE CAP

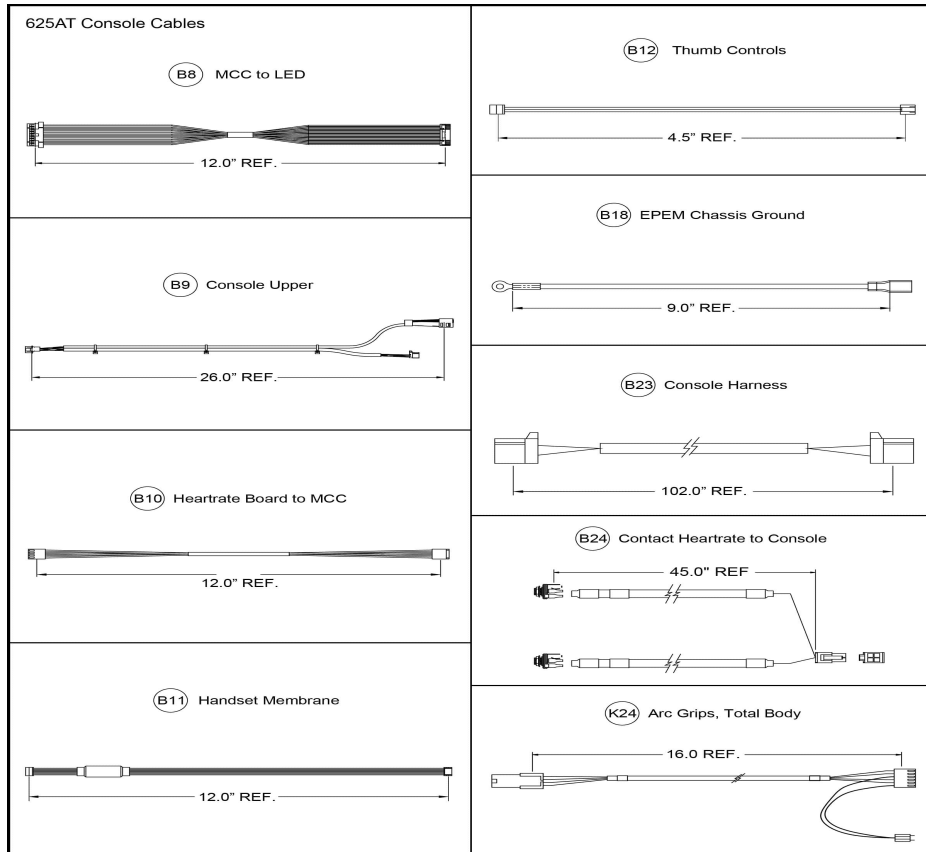
625AT Console Assembly



Ref #	Part Number	Qty	Description
B2	770A-326	1	CONSOLE BACK, 625A-770A
B3	770A-328	1	BACK TAB, SMALL CONSOLE, LEFT
B4	770A-329	1	BACK TAB, SMALL CONSOLE, RIGHT
B5	770A-330	1	COVER, HEADPHONE JACK DOOR, SMALL CONSOLE
B6	770A-353	1	CONSOLE MOUNTING PLATE, 770, 625
D6	DE-23832	1	LABEL,770A ENUNCIATOR, CUS
B7	770A-354	1	FAN MOUNTING PLATE, 770, 625
D7A	DE-23833	1	MEMBRANE, UPPER DISPLAY 625A
B13	770A-379	1	SENSOR, HEART RATE COMBO
B14	770A-386	1	THUMB SWITCH, LEFT, INCLINE
B15	770A-387	1	THUMB SWITCH, RIGHT, RESISTANCE
B19	770AT-205	1	W CONSOLE
K20	K525AT-407	1	KIT, PCA MCC, 525 ARC
K21	K770A-346	1	Kit 770A Disp Bd w/Enunc
B21	525AT-407	1	PCA, MCC, UNPROGRAMMED, IPOD, 525AT, C, R
B22	770A-346	1	PCA, LED DISPLAY BOARD
K22	K625A-314	1	Kit 625 LED Bezel w/dec Custom
23	CP-23199	1	USB 2.0 FLASH DRIVE,BLANK CDW 424820 for kit PKCP-23201
B28	ES000004	1	TAB, FASTON 250 SERIES
B31	HF540200	2	GROMMET NYLON
B32	HJ532510	4	SCREW, SEMS, 6-32 X .38 PNHD PHIL EXT BLK ZN

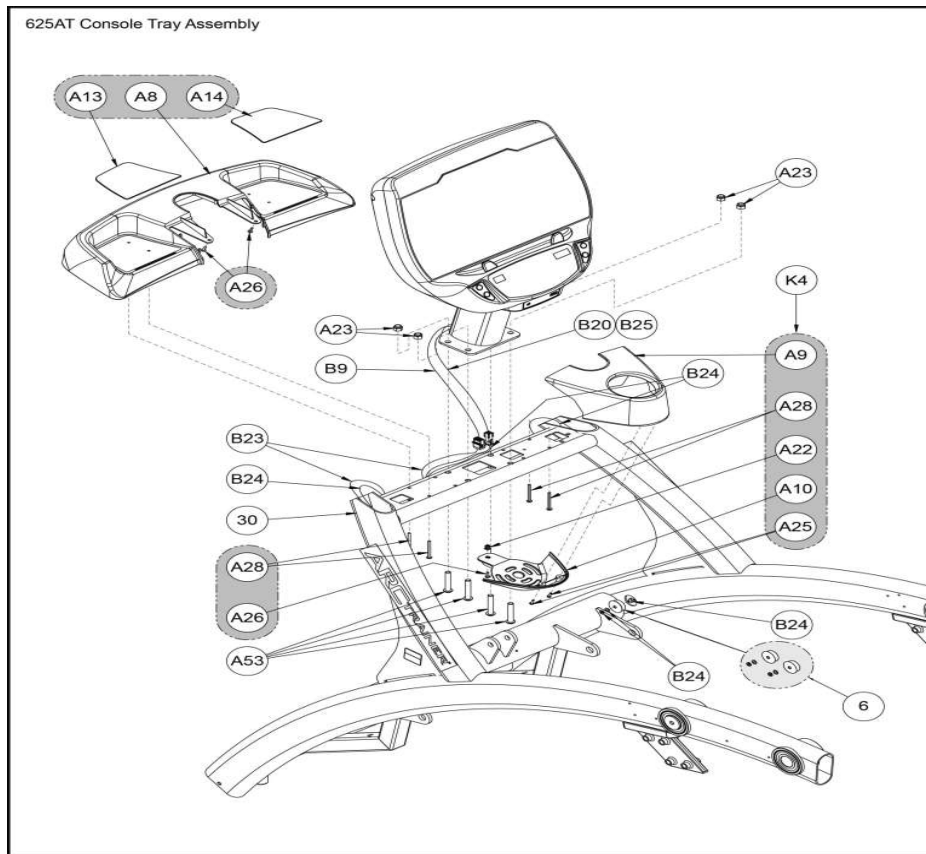
Ref #	Part Number	Qty	Description
B33	HJ622512	8	SCREW, SEMS, .25-20 X .50 PNHD PHIL EXT BLK ZN
B34	HN546300	1	NUT, K NUT 8-32 UNC ZN
B35	HT532512	1	PN HD PHIL SC #6 X .50 PLASTITE
B36	HT542512	1	PAN HD PHIL HD SELF TAPPING, 8-32 X .50 TYPE 23
B37	HT552509	2	TAP SC NO 8-16 X .31 PLASTITE PN HD PHIL
B38	HT552512	4	TAP SC NO. 8-16 X .50 PLASTITE PAN HEAD PHILLIPS BLACK
B39	HT552515	6	TAP SC NO. 8-16 X .75 PLASTITE PN HD PHIL BLK
B40	PN000001	1	CLAMP, CABLE .18 DIAMETER STANDARD
B41	PN140001	1	CLAMP, CABLE .56 DIAMETER
B42	770A-381	1	DECAL , HEADPHONE JACK ONLY
B43	770A-382	1	DECAL, HEADPHONE JACK BLANK
B56	770A-347	1	PCA, HANDSET AUDIO JACK

625AT Console Cables



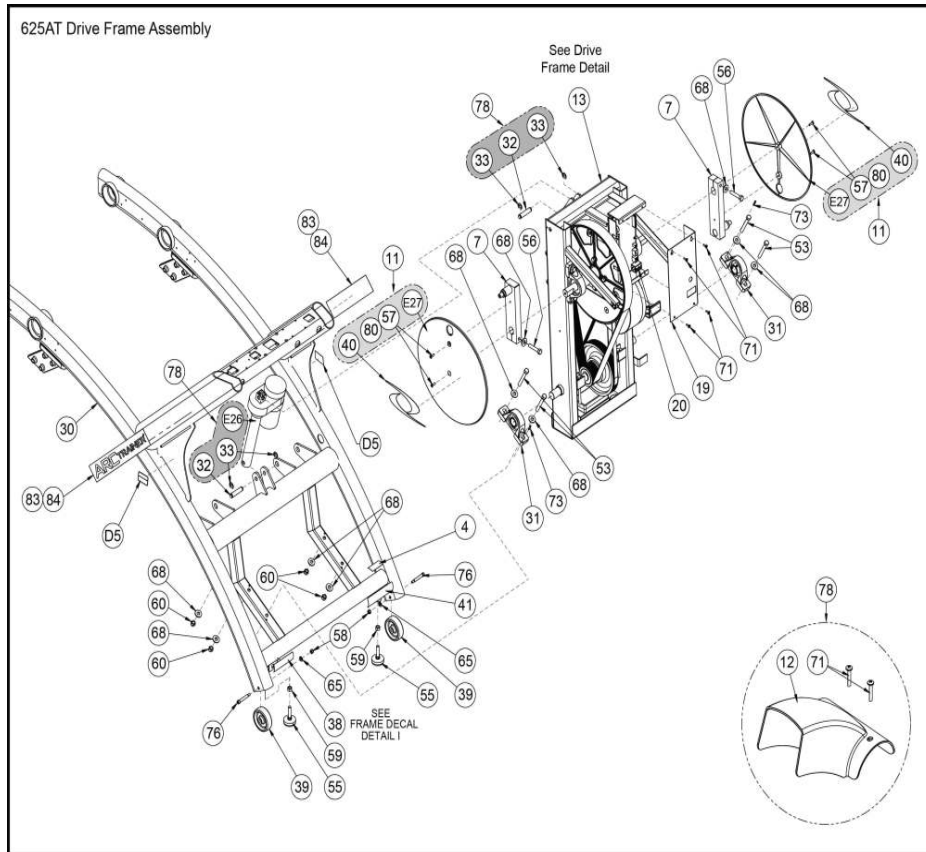
Ref #	Part Number	Qty	Description
B8	770A-359	1	CABLE, 770A ARC MCC TO LED
B9	AW-23849	1	CABLE, 525AT CONSOLE UPPER
B10	770A-361	1	CABLE, ARC HRBOARD TO MCC
B11	770A-364	1	CABLE, HANDSET MEMBRANE, ARC
B12	770A-365	1	CABLE, THUMB CONTROLS
B18	770A-412	1	CABLE, EPEM CHASSIS GROUND
B23	AW-20935	1	Cable Frame Harness
B24	AW-21415	1	Cable CHR Frame
K24	KAW-23550	1	KIT, ARC GRIPS TTL BODY

625AT Console Tray Assembly



Ref #	Part Number	Qty	Description
K4	770AK030	1	Kit, Tray 770A
6	770ATK010	2	KIT, CABLE NUT-WASHER
A8	770A-316	1	TRAY ACCESSORY
A9	770A-317	1	HOLDER, CUP, TOP
B9	AW-23849	1	CABLE,525AT CONSOLE UPPER
A10	770A-318	1	HOLDER, CUP,BOTTOM
A13	770A-331	1	DECAL, WARNING, LOWER 770A CONSOLE- Custom
A14	770A-332	1	DECAL, WARNING, LOWER 770A CONSOLE- Custom
B20	AW-23550	1	CABLE,ARC GRIPS,TOTAL BODY
A22	HF540200	1	GROMMET NYLON
A23	HN704901	4	LOCKNUT .375-16 NYLON
B23	AW-20935	1	Cable Frame Harness
B24	AW-21415	3	Cable CHR Frame
B25	AW-23417	1	*CABLE,770AT CHR CONSOLE
A25	HT532512	2	PN HD PHIL SC #6 X .50 PLASTITE
A26	HT552512	2	TAP SC NO. 8-16 X .50 PLASTITE PAN HEAD PHILLIPS BLACK
A28	HT592526	4	Tap Sc 10-12 x 2.00 Pn Hd Phil
30	770AT-200	1	W/ MAIN FRAME Custom
A53	HC700430	4	BHSCS .375-16 X 2.50

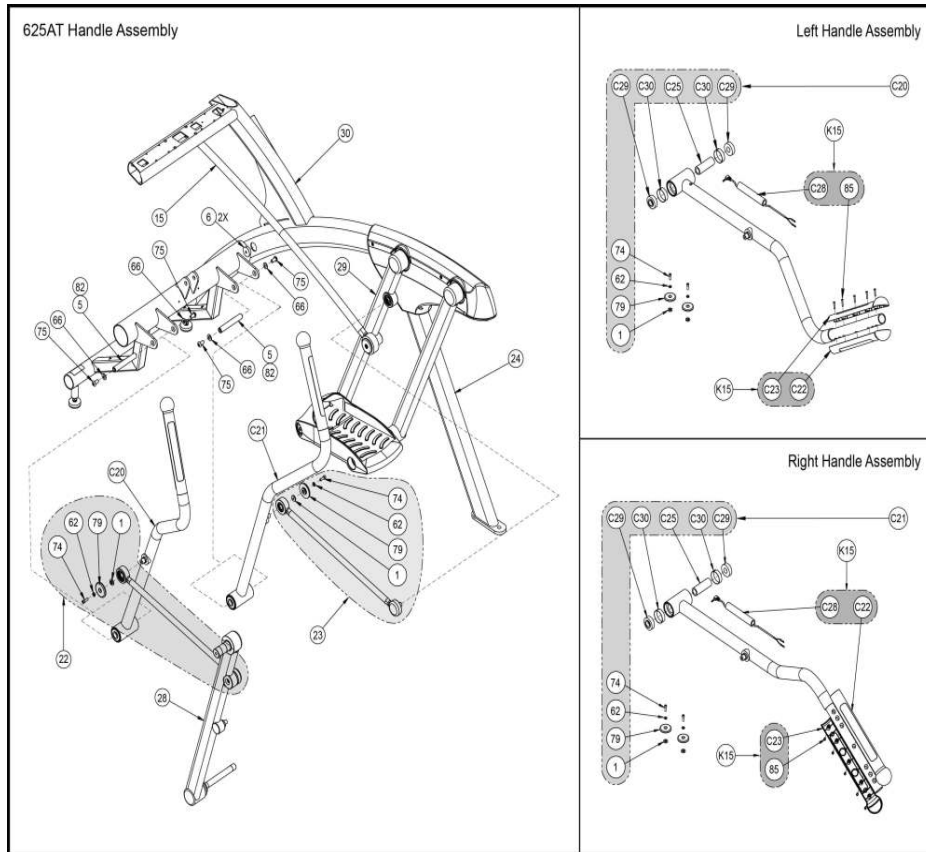
625AT Drive Frame Assembly



Ref #	Part Number	Qty	Description
4	600A-362	1	LABEL PATENT BIOSIG
D5	DE-17219	1	DECAL CAUTION MOVING PARTS
7	610A-395	2	ASSY ARM CRANK
11	1008223-0001	2	KIT: COVER, CRANK, FLAT
12	740A-354	1	Cover Elevation Motor
13	770A-101	1	DRIVE FRAME ASSEMBLY
19	750A-365	1	Cover Controller
20	750A-396	1	Ferrite Clamp-on .40 ID
E27	1006629-0002	2	COVER, CRANK-CHR
30	770AT-200	1	W/ MAIN FRAME Custom
31	AF-16694	2	ASSY,BEARING,PILLOW BLOCK
32	AP030055	1	Pin Groove .50 x 2.00
33	BR030228	2	Retaining Ring .500 External
38	CM000199	2	DECAL SERIAL NUMBER
39	CW-17231	2	WHEEL, TENSIONER
40	DE-17339	2	DECAL CYBEX VORTEX
41	DE-21625	2	Label ETL CSA CE 750A
53	HC701234	4	HX HD CAP SC .375-16 X 3.00
55	HG700022	2	LEVELING GLIDE 3-8-16
56	HH701226	2	BOLT, HHCS GRD 8, .375-16 X 2.0
57	HM582514	4	PN HD PHIL SC NO 10-32 X .625 BLK ZN
58	HN624901	2	LOCKNUT .250-20 NYLON BLACK ZINC

Ref #	Part Number	Qty	Description
59	HN704000	2	HEX NUT .375-16
60	HN704901	4	LOCKNUT .375-16 NYLON
65	HS328300	2	LOCKWASHER SPLIT .312
68	HS347700	4	WASHER USS .375
71	HT572512	2	TAP SC NO. 10 - 24 X .50 PN HD PHIL
73	HX-17023	2	PIN,SPRING .187X.813 LG,TYPE 420,ST STL
76	JD623324	2	S BOLT .312 X 1.75 .250-20
78,E26	750AK025	3	KIT, ELEVATION MOTOR
80	YA000201	2	ADH THRD LKR REM .02 OZ 242
83	770A-337	2	DECAL, ARC TRAINER BLACK
84	770A-338	2	DECAL, ARC TRAINER

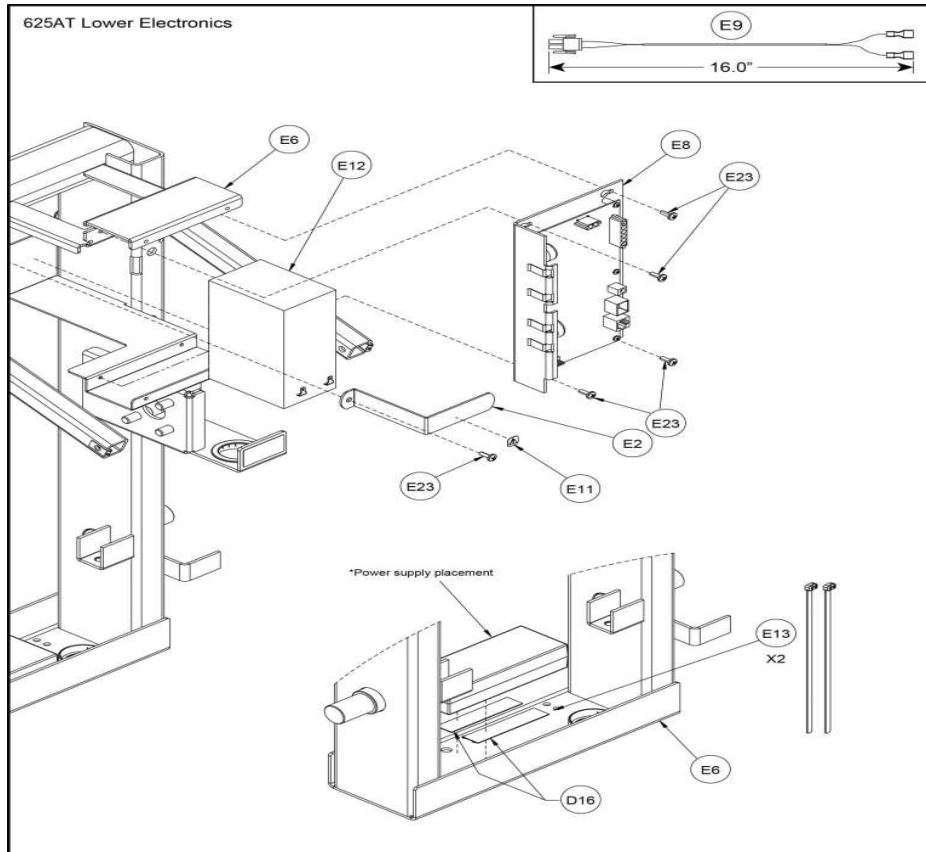
625AT Handle Assembly



Ref #	Part Number	Qty	Description
1	600A-311	2	SPACER FLANGE
5	610A-351	2	PIN PIVOT
6	610AK021	2	KIT PLUG INSERT
K15	625ATK014	1	KIT, CONTACT GRIPS WITH WIRES
15	750AK007	1	KIT, LINKAGE ROD RIGHT
C20	625ATK006	1	KIT, ARM HANDLE, LEFT SIDE
C21	625ATK007	1	KIT, ARM HANDLE, RIGHT SIDE
C22	425A-378	1	GRIP HOUSING WITH METAL PLATEFRONT
22	750AK012	1	KIT, ARM HANDLE LINKAGE LH
C23	425A-379	1	GRIP: CHR BACK, W/SCREWS
23	750AK013	1	KIT, ARM HANDLE LINKAGE RH
24	770A-201	1	W/ LEG Custom
C25	610A-356	1	TUBE SPACER
C28	AW-18286	2	CABLE 610A CHR GRIP
28	770ATK008	1	NLA: KIT, FOOT PLATE ARM, FRONT LEFT SIDE
C29	FB030232	4	BRG RADIAL 17MM ID EXT RACE
29	773ATK010	1	KIT, FOOT PLATE ARM, FRONT RIGHT SIDE
C30	FC030006	4	TOLERANCE RING 1.575 ID
30	770AT-200	1	W/ MAIN FRAME Custom
62	HS307601	6	WASH FLAT .281 .500 .062 T
66	HS347600	4	WASHER SAE .375
74	HX622815	6	SHCS .250-20 X .75 SS

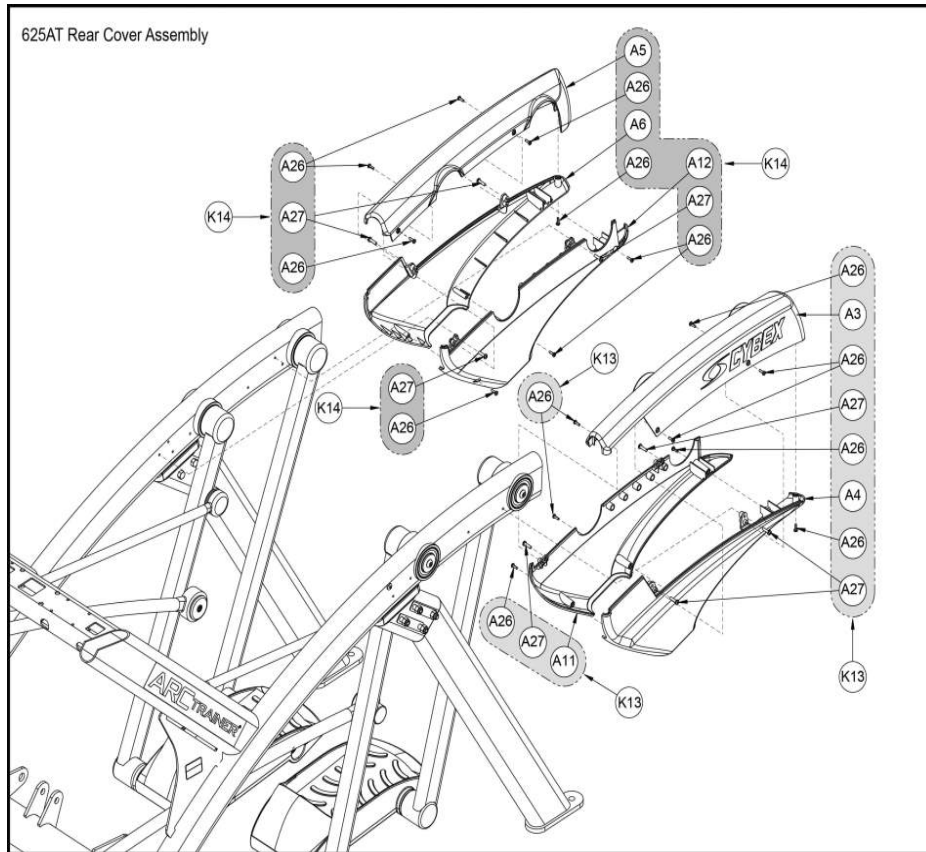
Ref #	Part Number	Qty	Description
75	HX700415	4	BHSCS .375-16 X .75 SS
79	600AK012	2	KIT LINKAGE CAP
85	HT532515	10	PN HD PHIL SC NO 6 X .75 PLASTITE

625AT Lower Electronics



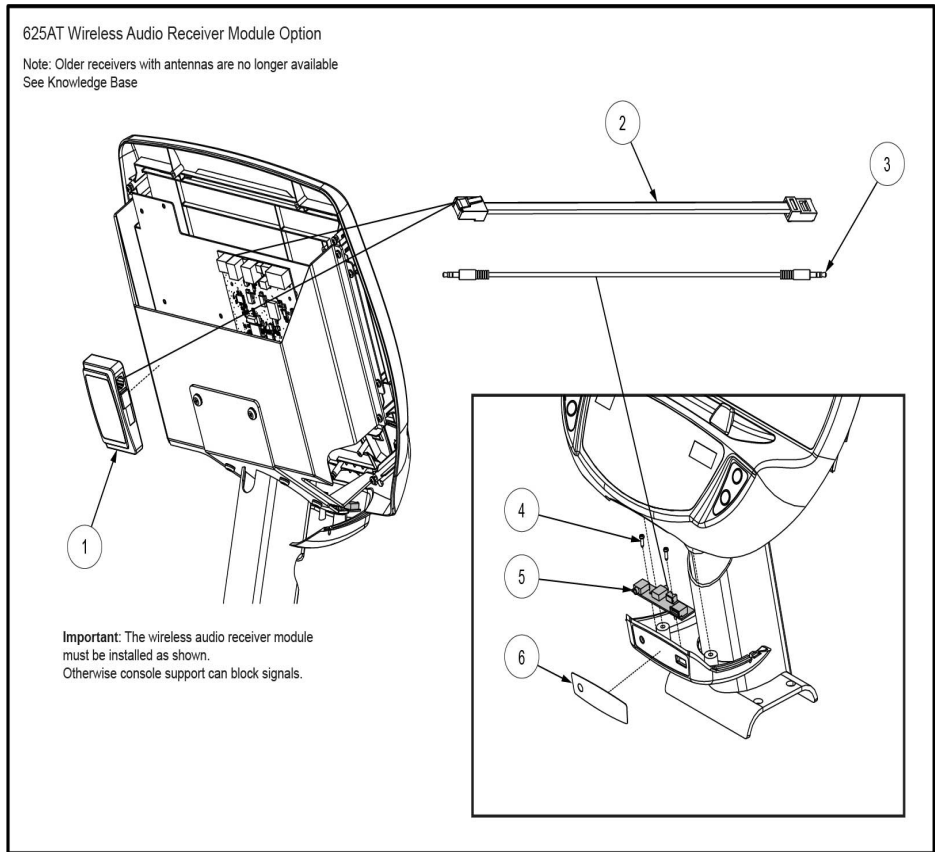
Ref #	Part Number	Qty	Description
E2	630A-314	1	CLAMP BATTERY
E6	750A-212	2	W Frame
E8	AD-23681	1	PCA,770A 625A,LOWER CONTROLLER
E9	AW-18447	1	CABLE SPA BATTERY
E11	DE-19586	1	LABEL WARNING ICON
E12	EC-18267	1	BATTERY 12V 7AHR
E13	EW000028	1	CABLE TIE 8.00
D16	01250	2	TAPE DOUBLE COATED 0.75
E23	HT572512	5	TAP SC NO. 10 - 24 X .50 PN HD PHIL

625AT Rear Cover Assembly



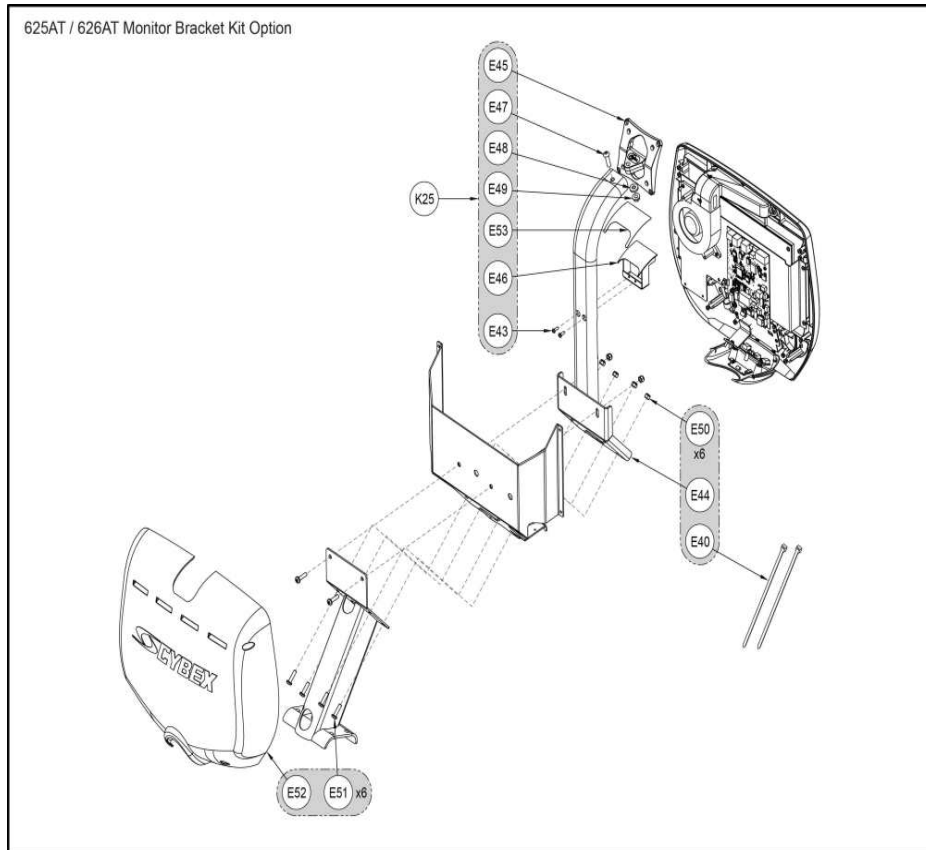
Ref #	Part Number	Qty	Description
A3	625A-310	1	COVER, REAR, TOP, LH
A4	625A-311	1	COVER, REAR, OUTER, LH
A5	625A-312	1	COVER, REAR, TOP, RH
A6	625A-313	1	COVER, REAR, OUTER, RH
A11	770A-321	1	COVER, REAR, INNER, LH
A12	770A-324	1	COVER, REAR, INNER, RH
K13	625ATK004	1	KIT, PIVOT COVER, LEFT SIDE
K14	625ATK005	1	KIT, PIVOT COVER, RIGHT SIDE
A26	HT552512	16	TAP SC NO. 8-16 X .50 PLASTITE PAN HEAD PHILLIPS BLACK
A27	HT572515	8	SCREW, PAN HEAD PHILIPS 10-24 X .75 TYPE 23, BLK

625AT Wireless Audio Option



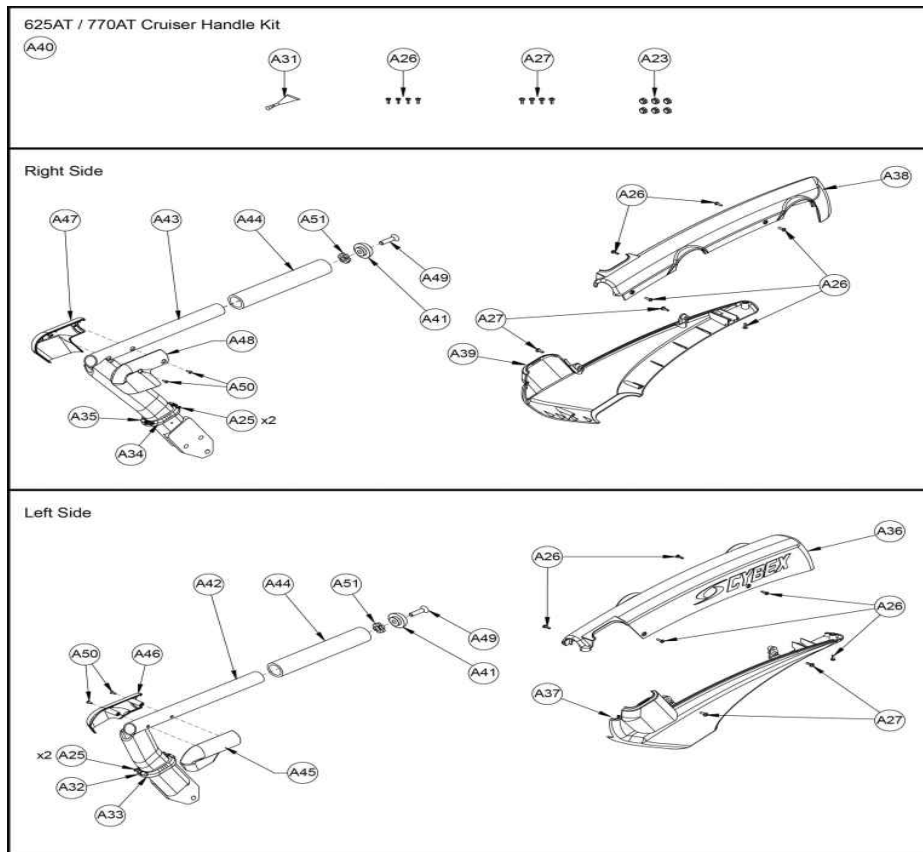
Ref #	Part Number	Qty	Description
1	770A-390	1	MODULE, RF 900 MHZ FM US
2	AW-23501	1	CABLE,CAT5E 18in
3	770A-347	1	PCA, HANDSET AUDIO JACK
4	HS-10405	2	SCREW,4-40X.25,PNHD PHIL
5	770A-381	1	DECAL , HEADPHONE JACK ONLY
6	770A-357	1	CABLE, HEADPHONE JACK JUMPER, ARC

625AT/626AT Monitor Bracket Kit Option



Ref #	Part Number	Qty	Description
K25	626AK010	1	MONITOR MOUNT KIT
E40	EW000028	2	CABLE TIE 8.00
E46	HS-21672	1	SCREW 8-32-1/2in TT TRILOBULAR
E47	AF-24437	1	WELDMENT,TUBE SUPPORT,SMALL CO
E48	OHX-24440	1	MOUNT, VESA, MONITOR, VTILT 8NM
E49	AF-24436	1	WELDMENT,HOOD,SMALL CONSOLE
E50	HS-18157	6	BOLT 5-16-18 X 1.25 BTHD,SS,BL
E51	HW-18123	6	WSHR,.344IDX.75 ODX.125THK,HAR
E52	HN-42063	1	NUT 5-16-18 FLANGED SS BO
E53	HN-12079	1	KEPS 1-4-20 HEX STL ZINC
E54	HS-00489	1	BOLT,1-4-20X1.0,HXHD,ZN,GR5
E55	OPL-24438	1	COVER, CONSOLE BACK, MACHINE
E56	ODE-24616	1	DECAL, LID

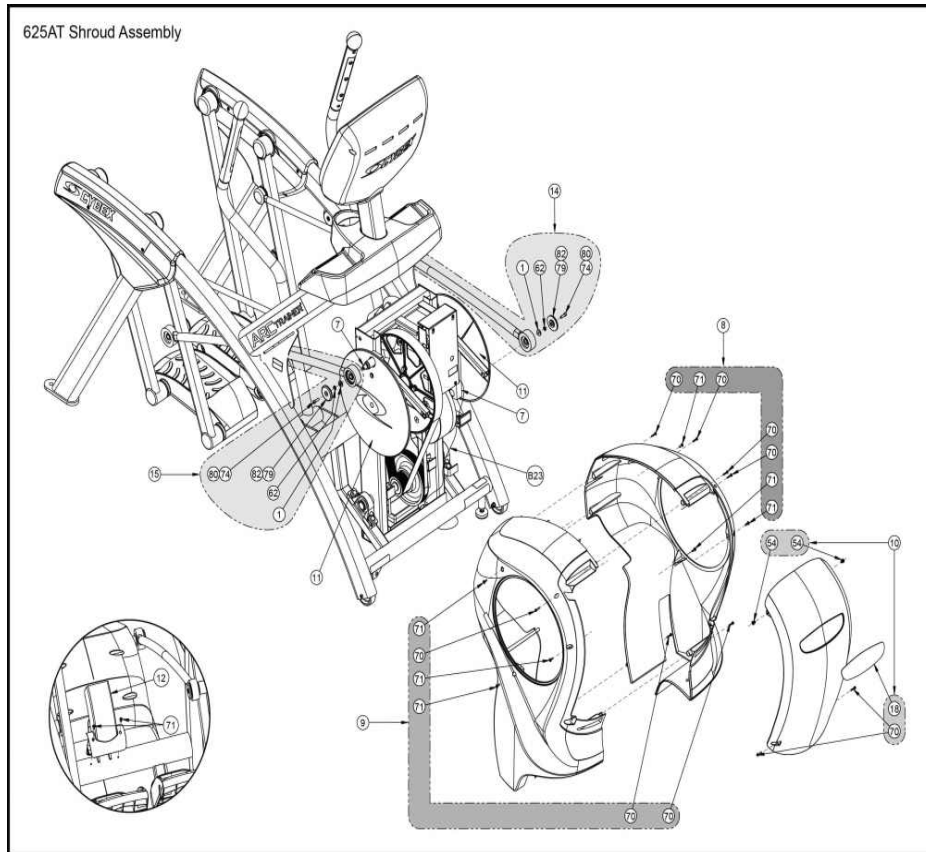
625AT/770AT Cruiser Handle Kit



Ref #	Part Number	Qty	Description
A23	HN704901	6	LOCKNUT .375-16 NYLON
A25	HT532512	4	PN HD PHIL SC #6 X .50 PLASTITE
A26	HT552512	14	TAP SC NO. 8-16 X .50 PLASTITE PAN HEAD PHILLIPS BLACK
A27	HT572515	8	SCREW, PAN HEAD PHILIPS 10-24 X .75 TYPE 23, BLK
A31	YA000201	1	ADH THRD LKR REM .02 OZ 242
A32	770A-334	1	COLLAR, LH INNER
A33	770A-335	1	COLLAR, LH OUTER
A34	770A-340	1	COLLAR, INNER RH
A35	770A-341	1	COLLAR, OUTER RH
A36	770A-319	1	COVER, REAR, TOP, LH
A37	770A-320	1	COVER, REAR, OUTER, LH
A38	770A-322	1	COVER, REAR, TOP, RH
A39	770A-323	1	COVER, REAR, OUTER, RH
A40	625ATK015	1	KIT, CRUISER HANDLE
A41	770A-401	2	CAP, END, 1.680 OD
A42	770AT-203	1	W/ SIDE HANDLE, LH
A43	770AT-204	1	W/ SIDE HANDLE, RH
A44	770AT-306	2	GRIP, 9.50 INCHES
A45	770AT-310	1	HANDLE COVER OUTSIDE, LH
A46	770AT-311	1	HANDLE COVER INSIDE, LH
A47	770AT-312	1	HANDLE COVER OUTSIDE, RH

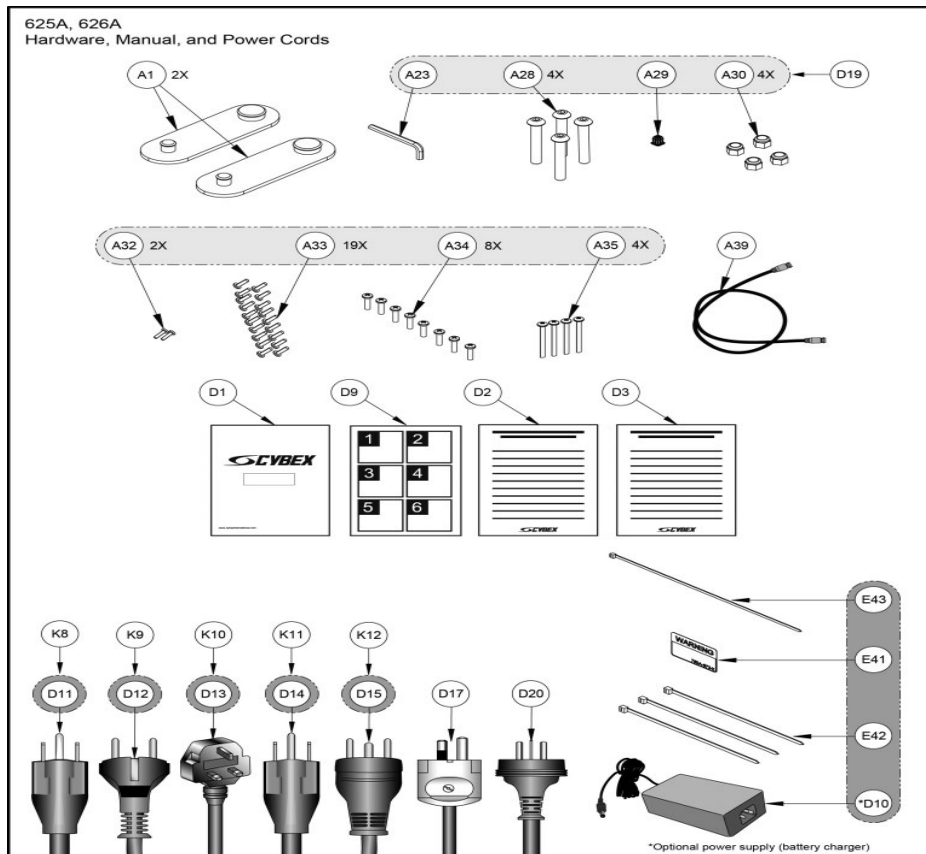
Ref #	Part Number	Qty	Description
A48	770AT-313	1	HANDLE COVER INSIDE, RH
A49	HC700922	2	FHSCS .375-16 X 1.500, SS
A50	HT552510	4	TAP SC NO 6-20 X .375 AB PHIL
A51	HF709000	2	NSERT 1.12 X .375-16 UNC

625AT_Shroud_Assembly



Ref #	Part Number	Qty	Description
1	600A-311	2	SPACER FLANGE
7	610A-395	1	ASSY ARM CRANK
8	750AK021	1	KIT, ARC SHROUD LEFT
9	750AK022	1	KIT, ARC SHROUD RIGHT
10	750AK024-4	1	KIT, ACCESS COVER
11	1008223-0001	1	KIT: COVER, CRANK, FLAT
12	740A-354	1	Cover Elevation Motor
14	750AK006	1	KIT, LINKAGE ROD LEFT
15	750AK007	1	KIT, LINKAGE ROD RIGHT
18	750A-349	1	Decal ARC
B23	AW-20935	1	Cable Frame Harness
54	HF540200	2	GROMMET NYLON
62	HS307601	2	WASH FLAT .281 .500 .062 T
70	HT552515	6	TAP SC NO. 8-16 X .75 PLASTITE PN HD PHIL BLK
71	HT572512	6	TAP SC NO. 10 - 24 X .50 PN HD PHIL
74	HX622815	2	SHCS .250-20 X .75 SS
79	600AK012	2	KIT LINKAGE CAP

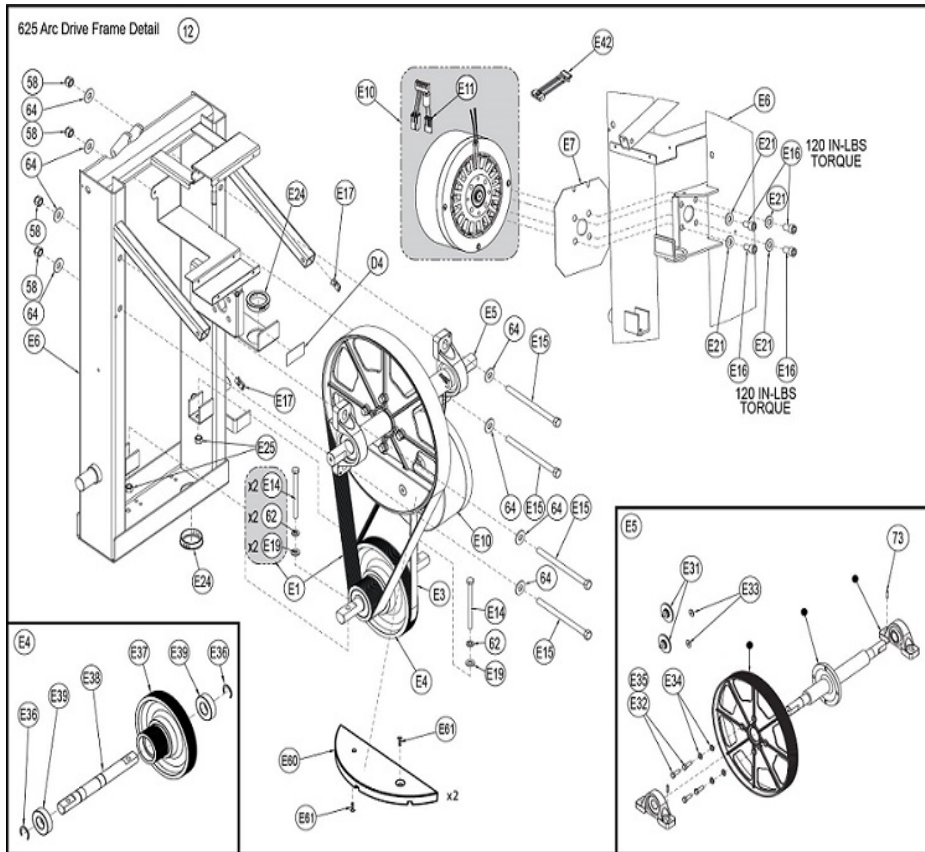
625A/626A Hardware Manual and Power Cords



Ref #	Part Number	Qty	Description
A1	12090-322	2	PAD FOOT
D1	5625	1	MANUAL M ASSEMBLY
D2	625A-330	1	WARRANTY SHT COMMERCIAL ARC 625
D3	625A-331	1	WARRANTY SHT CONSUMER ARC 625
K8	TR-22382	1	Power supply
D9	625A-328	1	POSTER, ASSY INSTR.
K9	750AK033	1	KIT VOLTAGE ASSY 220V/50HZ EUROPE NON UK
K10	750AK034	1	Kit Voltage Assy 220V/10A UK
D10	TR-25809	1	Power Supply
K11	750AK035	1	KIT VOLTAGE ASSY 110V/50HZ JAPAN
D11	EW600007	1	POWER CORD, NEMA5-1 5PTOIEC320 C13 LA, 10A
D12	EW600008	1	POWER CORD, CEE 7/7 TO IEC320 C13 LA, 10A
K12	750AK036	1	KIT, VOLTAGE ASSEMBLY 10A/250V DANISH
D13	EW600009	1	POWER CORD, BS 1363UK10 TO IEC320 C13 LA, 10A
D14	EW600010	1	POWER CORD, JIS 8303 TO IEC320 C13 LA, 12A
D15	EW600011	1	POWER CORD, DANISH DK2-1A TO IEC320 C13 LA, 12A
D17	EW600012	1	POWER CORD, AS/NZS3112TOIEC320C13 LA, 10A
D19	626A-340	1	HARDWARE PACK, 626A
D20	OAW-25706	1	POWER CORD, 10A/250V, 2.5MM CHINESE TO C13
A23	BK030204	1	HEX KEY .219IN
A28	HC700430	4	BHSCS .375-16 X 2.50
A29	HF540200	1	GROMMET NYLON

Ref #	Part Number	Qty	Description
A30	HN704901	4	LOCKNUT .375-16 NYLON
A32	HT532512	2	PN HD PHIL SC #6 X .50 PLASTITE
A33	HT552512	19	TAP SC NO. 8-16 X .50 PLASTITE PAN HEAD PHILLIPS BLACK
A34	HT572515	8	SCREW, PAN HEAD PHILIPS 10-24 X .75 TYPE 23, BLK
A35	HT592526	4	Tap Sc 10-12 x 2.00 Pn Hd Phil
A39	770A-427	1	CABLE, 6', RG59 COAX F-TYPE M-M
E41	750A-372	1	Decal Warning
E42	EW000028	2	CABLE TIE 8.00
E43	EW000029	1	CABLE TIE 15.00

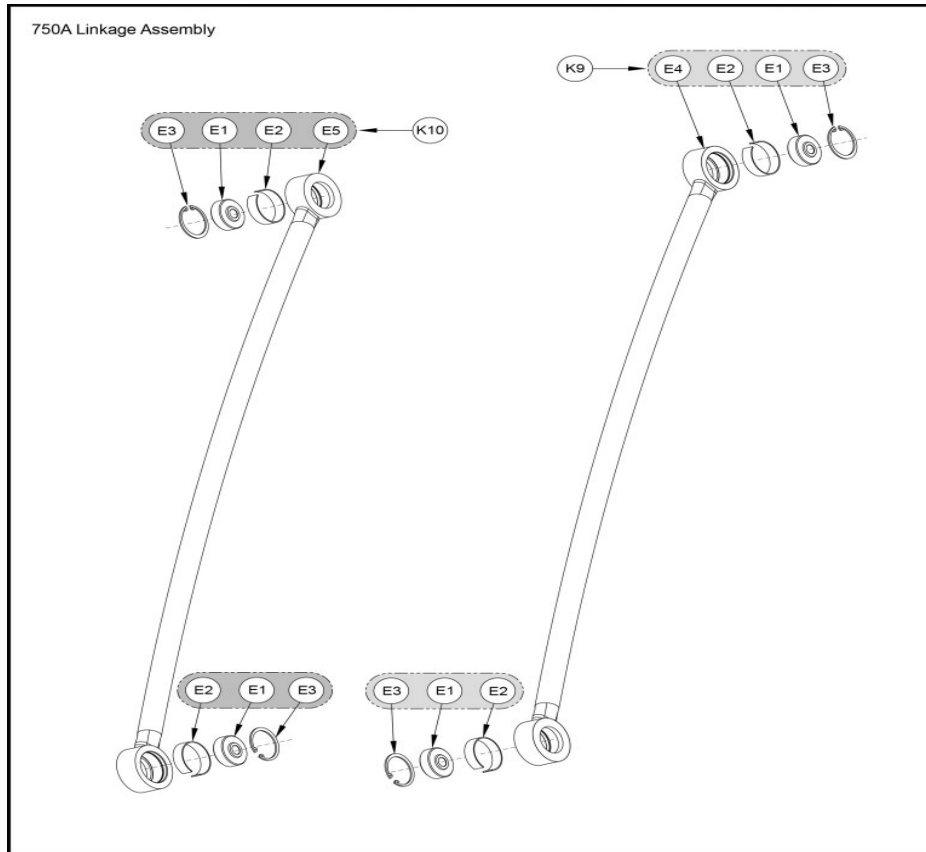
625 Arc_Drive Frame Detail



Ref #	Part Number	Qty	Description
E1	600AK020	1	KIT 16 RIB BELT TENSIONING
E3	630A-328	1	BELT SECONDARY DRIVE 7 RIB
E4	750A-110	1	Pulley Assembly Double
D4	DE-17155	1	NLA: LABEL,WARNING HOT FLYWHEEL
E5	600AK002	1	KIT PULLEY CRANK SHAFT
E6	750A-212	1	W Frame
E7	750A-364	1	Spacer Gen Winding
E10	1007425-0001	1	KIT: BRAKE, ARC TRAINER
E11	1006756-0001	2	CONNECTOR, CABLE
12	750A-101	1	Drive Frame Assembly
E14	HC661240	4	HX HD CAP SC .312-18 X 3.75
E15	HC701254	4	HX HD CAP SC .375-16 X 5.50
E16	HC702815	2	SHCS .375-16 X .750
E17	HF579000	2	PANEL FASTENER 10-24 U TYPE
E19	HS327600	4	WASHER SAE .312
E21	HS347600	2	WASHER SAE .375
E24	HX-17050	1	BUSHING,1.275IDX1.87 OD,NYLON INSULATED
E31	600AK012	1	KIT LINKAGE CAP
E32	HC661217	2	HX HD CAP SC .312-18 X 1.000
E33	HS307600	2	WASHER SAE .250
E34	HS760100	4	WASH FLAT .380 .625 .090 T
E35	YA000023	2	LOCTITE PERM 262 PN 26231

Ref #	Part Number	Qty	Description
E36	BR030221	4	RING RETAINING EXT CRESCENT
E37	600AK014	2	KIT LOWER PULLEY ASSY
E38	FM-16859	1	SHAFT,LOWER
E39	FB030243	1	BEARING 25MMIDX52MMOD 6205
E42	OAW-24272	2	CABLE, 625/770A , BRAKE JUMPER
58	HN704901	4	LOCKNUT .375-16 NYLON
E60	FM-19507	1	COUNTERWEIGHT
E61	JC700922	2	FHSCS .375-16 X 1.50
62	HS328300	2	LOCKWASHER SPLIT .312
64	HS347700	4	WASHER USS .375
73	HX-17023	2	PIN,SPRING .187X.813 LG,TYPE 420,ST STL

750A Linkage Assembly



Ref #	Part Number	Qty	Description
E1	FB030244	2	BEARING, .50IDX1.688OD,RADIAL BALL,SELF ALIGN
E2	FC030004	4	TOLERANCE RING 42MM ID
E3	HX-17143	2	RING RETAINING,INT,5000-168
E4,K9	750AK006	2	KIT, LINKAGE ROD LEFT
E5,K10	750AK007	2	KIT, LINKAGE ROD RIGHT

