

625T TREADMILL

625T-E3-03

Parts Manual

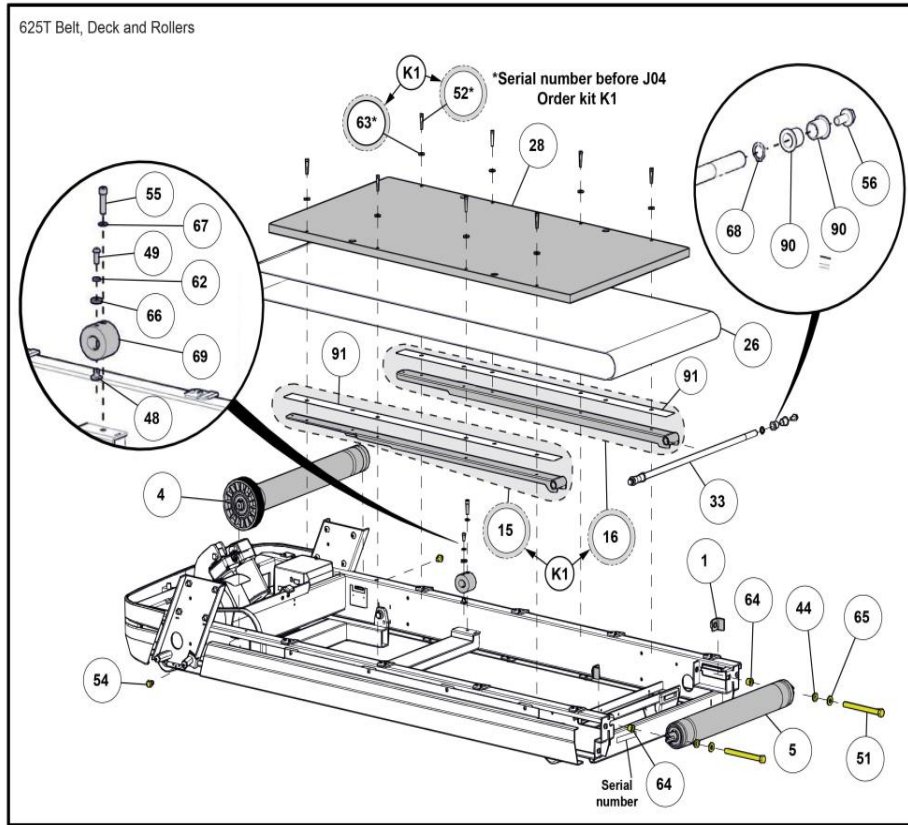
1/5/2019 5:06:29 AM



Table of Contents

| | |
|---|--------------------|
| 625T Belt Deck Rollers..... | 3 |
| 625T Console Covers..... | 5 |
| 625T Frame..... | 6 |
| 625T Handset..... | 8 |
| 625T Hardware Manual and Power Cords..... | 9 |
| 625T Motors..... | 10 |
| 625T 770T Service Wheel..... | 11 |
| 625T 770T 790T Asset Management Kit..... | 12 |
| 625T-E3 View iPod Option (G1201 to L0731)..... | 13 |
| 625T-E3 View E3 Console Electronics (Before K0914)..... | 14 |
| 625T-E3 View Lower Electronics (After J0813)..... | 16 |
| 625T-E3 View Upright..... | 18 |

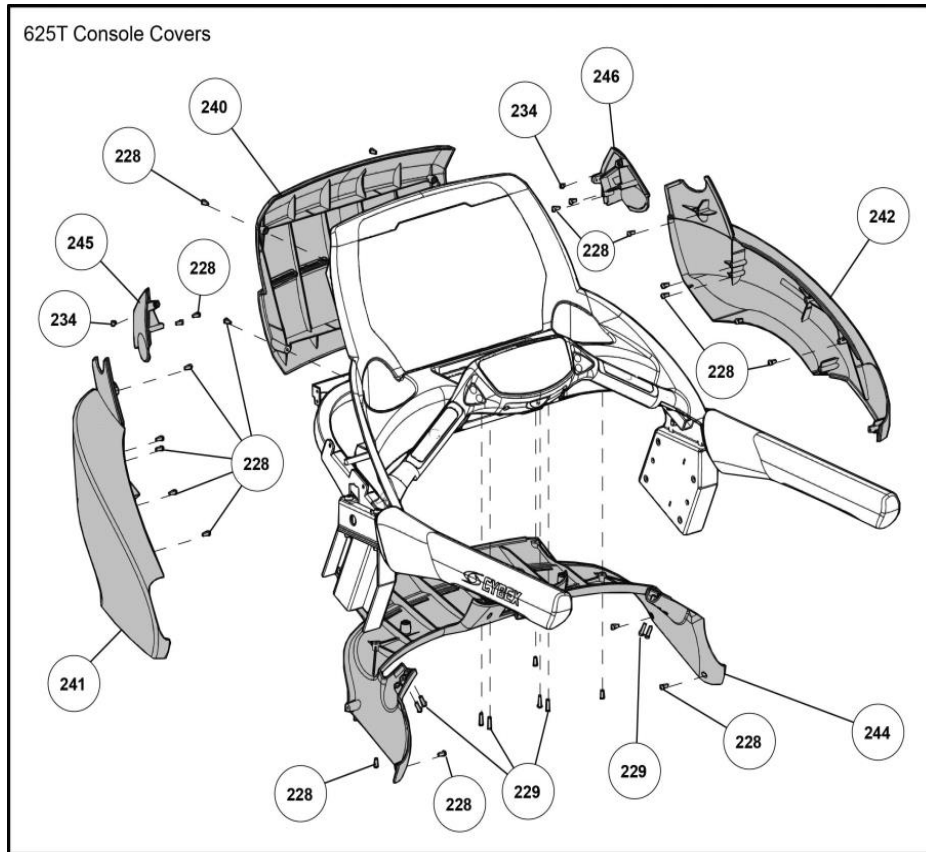
625T Belt Deck Rollers



| Ref # | Part Number | Qty | Description |
|-------|-------------|-----|---|
| 1 | AF-19988 | 2 | NUT,ROLLER,REAR FRONT,7XXT |
| K1 | PKAF-25027 | 1 | KIT,DECK STIFFNER,625T770T790T |
| 4 | AL-23586 | 1 | ASSY,FRONT ROLLER |
| 5 | AL-23587 | 1 | ASSY,REAR ROLLER |
| 15 | AX-22451 | 1 | ASSY,IS3 PIVOT BRACKET,LEFT,650T |
| 16 | AX-22454 | 1 | ASSY,IS3 PIVOT BRACKET,RIGHT,650T |
| 26 | BD-22463 | 1 | BELT,RUNNING,60" SYNTHETIC FIB |
| 28 | DK-22585 | 1 | DECK,RUNNING,SYNTHETIC,625T |
| 33 | FM-22458 | 1 | SHAFT,PIVOT IS3,770T |
| 44 | HB-16367 | 2 | BUSHING .50IDX.62ODX.31LG,FLAN |
| 48 | HN-20041 | 2 | NUT,1-4-20 PROPELLER .305 OD |
| 49 | HS-11347 | 2 | BOLT,1-4-20X0.75,SCHD BTN,BLK |
| 51 | HS-15480 | 2 | BOLT TAP,1-2-13X6,HXHD,G5 |
| 52 | HS-24905 | 4 | BOLT,5-16-18X1.75 HXHD,GR5,BLK ZN,W-LOCKING PATCH |
| 54 | HS-16929 | 2 | BOLT WHIZ LCK,3-8-16X.625,HXHD |
| 55 | HS-18358 | 2 | BOLT,5-16-18X.1.25,SCHD CAP,BL |
| 56 | HS-19108 | 2 | SCREW 5-16-18X3-4LG,HXHD,WHIZ- |
| 62 | HW-00180 | 2 | WSHR LOCK SPLIT 1-4,SST,BLK PASSIVATE |
| 63 | HW-24082 | 4 | WSHR,PLAIN,5-16X .88 X .075,STL,ZN |
| 64 | HW-00590 | 2 | BUSHING,NYLON,1-2 in |
| 65 | HW-10028 | 2 | WSHR B 1-2 NARROW ZINC |

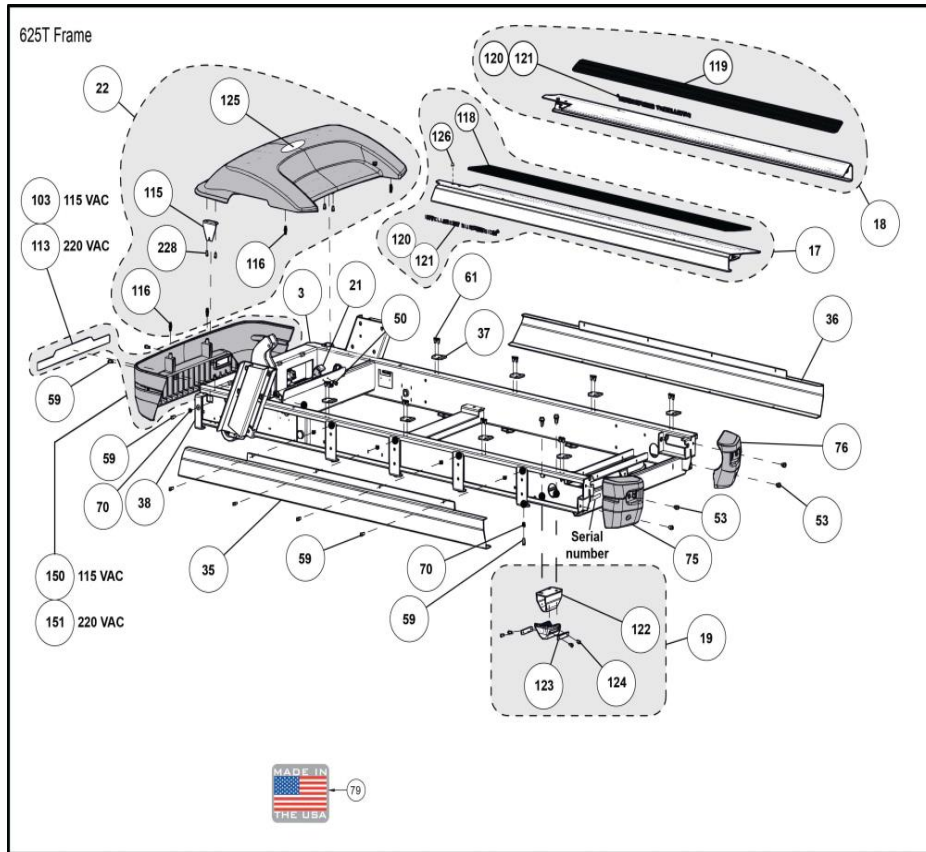
| Ref # | Part Number | Qty | Description |
|-------|-------------|-----|---------------------------------|
| 66 | HW-18123 | 2 | WSHR,,.344IDX.75 ODX.125THK,HAR |
| 67 | HW-20044 | 2 | WSHR,BELLEVILLE,15X8.2X1.0MM,. |
| 68 | HX-13771 | 2 | RING,RETAIN,5-8" .579 FR.ID |
| 69 | HX-19991 | 2 | BUMPER,SPRING DECK,2.10X2.34X1 |
| 90 | HB-18768 | 2 | BEARING,IGUS LF-1011-12 |
| 91 | HX-22457 | 2 | TAPE 1.88X45in MYLAR |

625T Console Covers



| Ref # | Part Number | Qty | Description |
|-------|-------------|-----|---|
| 228 | HS-15706 | 8 | SCREW,8-16X.50,PNHD,STL,BLK ZN CLR,TYP WB |
| 229 | HS-18311 | 18 | SCREW,8-16X.75,PNHD PHIL,STL,B |
| 234 | HS-41187 | 2 | SCREW SLFTP,8-16X.3125,PLASTITE |
| 240 | PL-22557 | 1 | CONSOLE BACK,625T 770T |
| 241 | PL-22558 | 1 | CONSOLE SIDE,LEFT |
| 242 | PL-22559 | 1 | CONSOLE SIDE,RIGHT |
| 244 | PL-22561 | 1 | CONSOLE BOTTOM,770T |
| 245 | PL-22574 | 1 | CONSOLE SIDE,UPPER LEFT,NO HDR |
| 246 | PL-22575 | 1 | CONSOLE SIDE,UPPER RIGHT,NO HD |

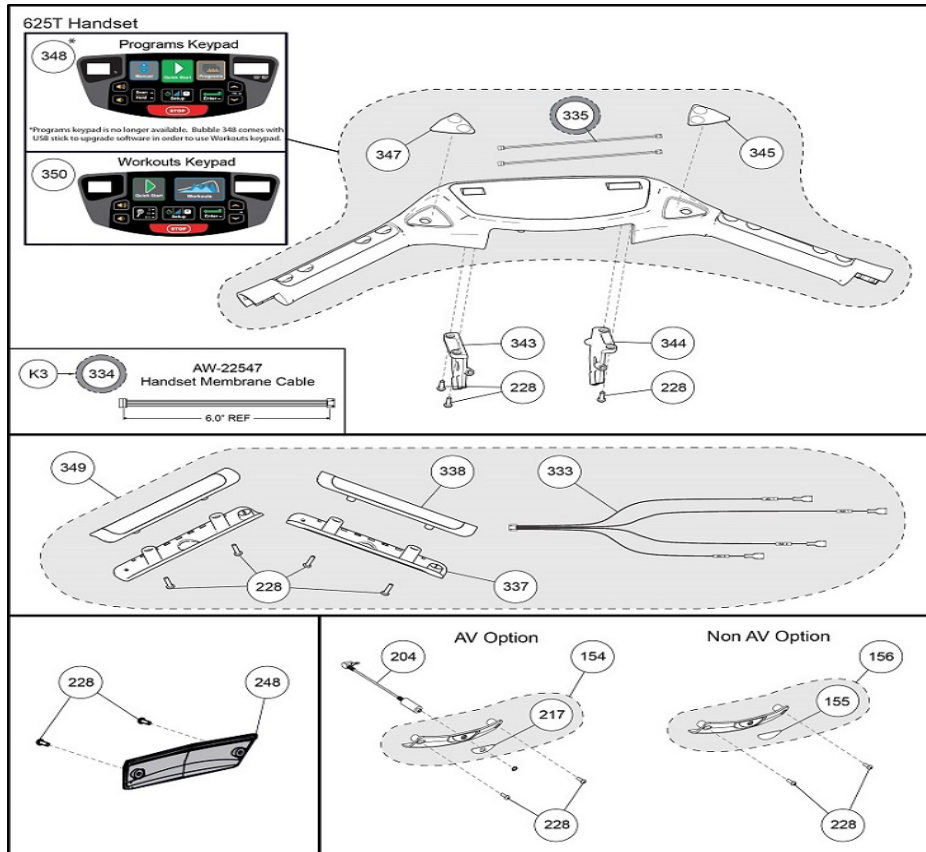
625T Frame



| Ref # | Part Number | Qty | Description |
|-------|-------------|-----|-------------------------------------|
| 3 | AF-22433 | 1 | WELDMENT,FRAME,625T 770T |
| 17 | AX-22483 | 1 | ASSY, TOP STEP,LEFT,770T Custom |
| 18 | AX-22487 | 1 | ASSY, TOP STEP,RIGHT,770T Custom |
| 19 | AX-22522 | 2 | *ASSY,REAR FOOT,770T |
| 21 | AX-22869 | 1 | ASSY,MOTOR COVER SUPPORT |
| 22 | AX-22880 | 1 | KIT,HOOD COVER,UPPER |
| 35 | PC-22492 | 1 | PANEL,SIDE,LEFT,COATED,770T Custom |
| 36 | PC-22493 | 1 | PANEL,SIDE,RIGHT,COATED,770T Custom |
| 37 | FS-22511 | 8 | CLAMP, TOP STEP,770T |
| 38 | FS-22866 | 2 | BRKT,HOOD COVER |
| 50 | HS-11976 | 2 | SCREW SEMS,10-32X.38,EXT,ZN |
| 53 | HS-16875 | 4 | BOLT SEMS,1-4-20X.5,PNHD PHIL, |
| 59 | HS-22816 | 2 | SCREW,10-14 X .75,PLASTITE,STL |
| | | | SCREW SLFTP,10-24X.5,PNHD |
| 61 | HS-41006 | 8 | PHIL,410SS,HRDBO,WAX,TT |
| 70 | HX-20360 | 4 | INSERT,EXPANSION,PLASTIC,#8-#1 |
| 75 | PL-22817 | 1 | END CAP,LEFT,770T |
| 76 | PL-22818 | 1 | END CAP,RIGHT,770T |
| 79 | 11040-790 | 1 | NLA: DECAL, MADE IN THE USA |
| 103 | DE-22910 | 1 | LABEL,ETL,115V WARNING,MOTOR COVER |
| 113 | DE-23079 | 1 | LABEL,ETL,220V WARNING,MOTOR COVER |
| 115 | FS-22870 | 2 | BRKT,MOTOR COVER |

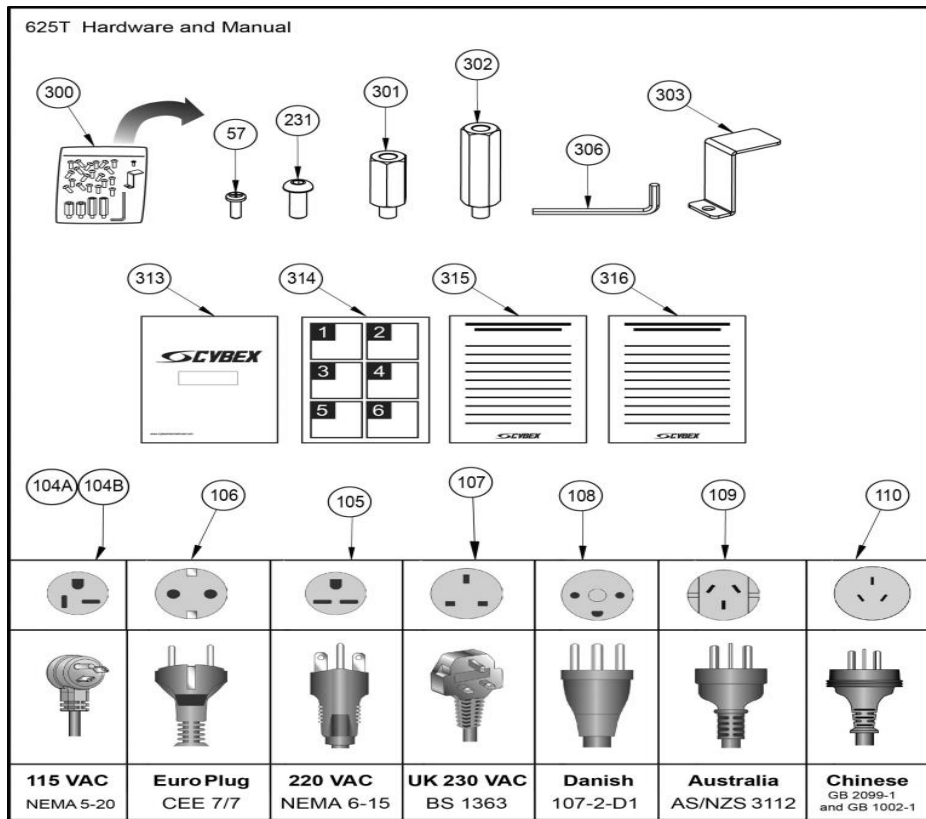
| Ref # | Part Number | Qty | Description |
|-------|-------------|-----|--|
| 116 | HX-21519 | 2 | PIN,PLASTIC RETAINIER |
| 118 | DE-22491 | 1 | DECAL, TOP STEP, LEFT |
| 119 | DE-22503 | 1 | DECAL, TOP STEP, RIGHT |
| 120 | DE-22327 | 2 | LABEL, BLACK, INTELLIGENT SUSPENSION 3 |
| 121 | DE-22328 | 2 | LABEL, SILVER, INTELLIGENT SUSPENSION 3 |
| 122 | AF-22521 | 2 | *WELDMENT, REAR FOOT, 770T |
| 123 | FS-16511 | 4 | PLATE, REAR RUBBER FOOT MNT |
| 124 | HS-16509 | 8 | SCREW SLFTP, 10X.5, PNHD, PLT, TYP |
| 125 | DE-19198 | 1 | DECAL, CYBEX LOGO Empire screen |
| 126 | HX-22879 | 2 | GROMMET, 7-32IDX17-32ODX25-64THK |
| 150 | KAX-23288 | 1 | KIT, COVER FRAME, FRONT W-DECAL |
| 151 | KAX-23289 | 1 | KIT, COVER FRAME, FRONT W-DECAL |
| 228 | HS-15706 | 6 | SCREW, 8-16X.50, PNHD, STL, BLK ZN CLR, TYP WB |

625T Handset



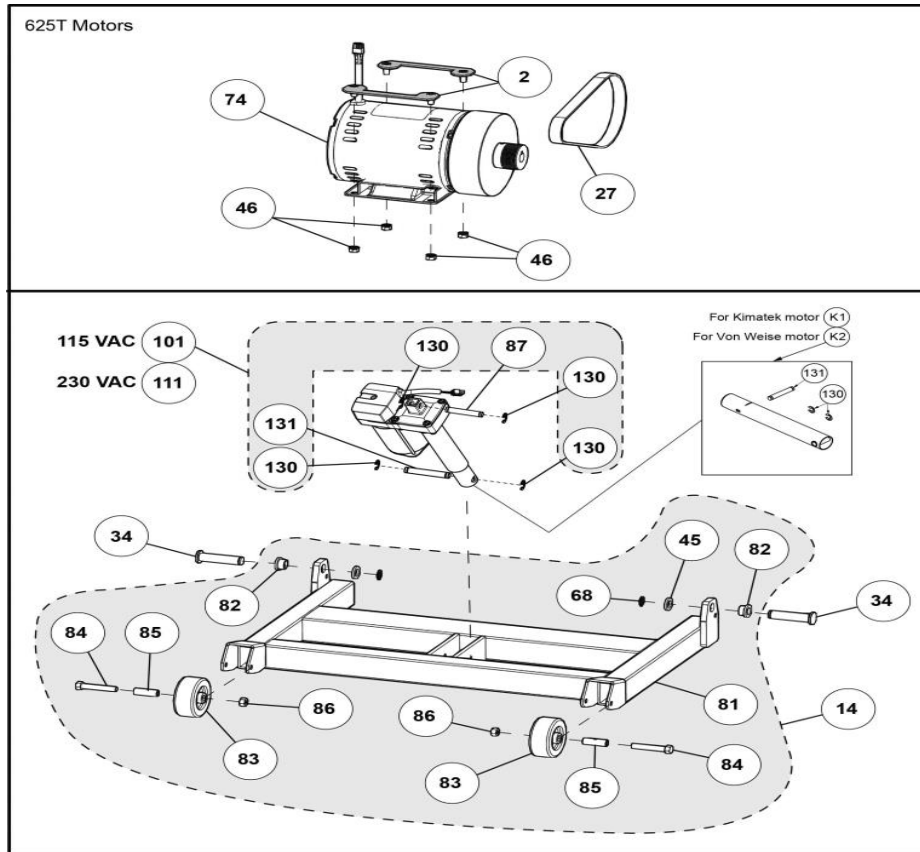
| Ref # | Part Number | Qty | Description |
|-------|-------------|-----|---|
| K3 | KAW-24391 | 1 | KIT,625T CONSOLE CABLES |
| 154 | KPL-23267 | 1 | KIT,COVER,MCC ACCESS,AV |
| 155 | DE-22785 | 1 | DECAL,HEADPHONE JACK,BLANK,625 |
| 156 | KPL-23266 | 1 | KIT,COVER,MCC ACCESS,NON-AV |
| 204 | AW-22480 | 1 | CABLE,HEADPHONE JACK JUMPER |
| 217 | DE-22784 | 1 | DECAL,HEADPHONE JACK,770T |
| 228 | HS-15706 | 4 | SCREW,8-16X.50,PNHD,STL,BLK ZN CLR,TYP WB |
| 248 | PL-22656 | 1 | COVER,IPOD CABLE ACCESS,BLANK |
| 333 | AW-22543 | 1 | CABLE,CHR GRIP |
| 334 | AW-22547 | 1 | CABLE,HANDSET MEMBRANE,770T |
| 335 | 770A-365 | 1 | CABLE,THUMB CONTROLS |
| 337 | AX-21339 | 1 | PLATE,GRIP,LOWER INSERT,W-META |
| 338 | AX-21340 | 1 | PLATE,GRIP,UPPER INSERT,W-META |
| 343 | PL-22580 | 1 | BRKT,HANDSET SUPPORT,LEFT |
| 344 | PL-22581 | 1 | BRKT,HANDSET SUPPORT,RIGHT |
| 345 | SW-22388 | 1 | MEMBRANE,THUMB CONTROL,RIGHT,S |
| 347 | SW-22545 | 1 | MEMBRANE,THUMB CONTROL,LEFT,IN |
| 348 | KPL-23983 | 1 | KIT,HANDSET W-MEMB,AV,W-USB- Custom |
| 349 | KAX-23293 | 1 | KIT,CHR GRIPS W-CABLE |
| 350 | KPL-23533 | 1 | Kit Handset AV w Keypad Custom |

625T Hardware Manual and Power Cords



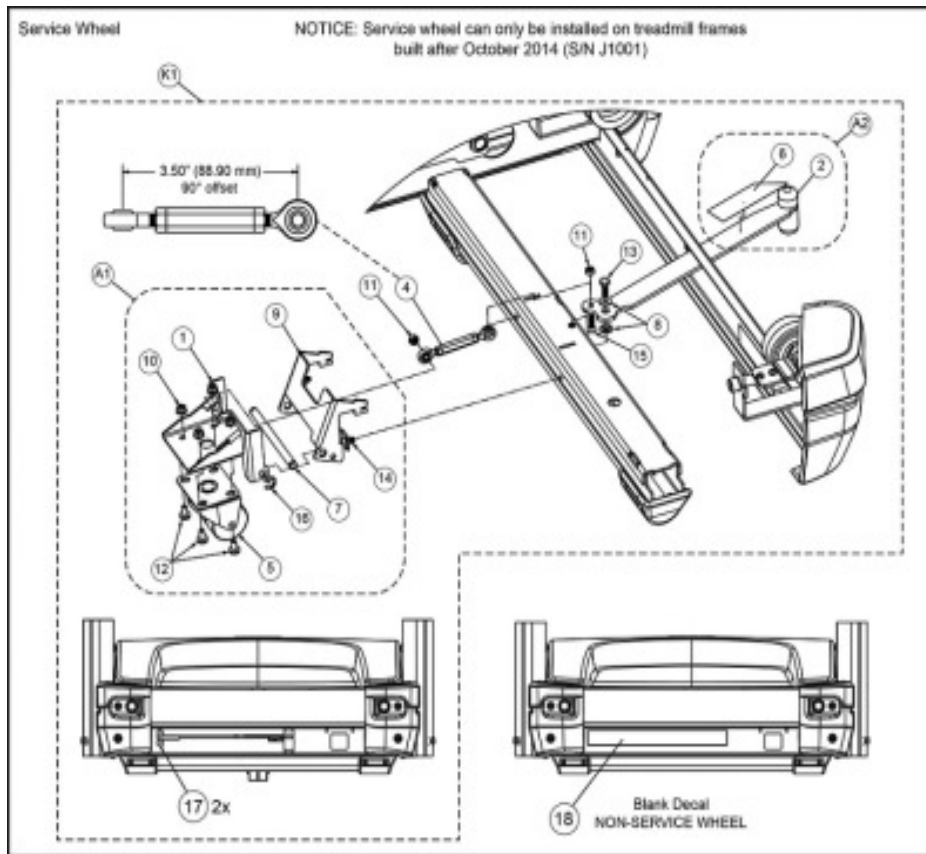
| Ref # | Part Number | Qty | Description |
|-------|-------------|-----|--------------------------------|
| 57 | HS-21672 | 1 | SCREW 8-32-1/2in TT TRILOBULAR |
| 104B | AW-24574 | 1 | POWER CORD,115V 20A 60Hz,6FT |
| 104A | AW-20280 | 1 | POWER CORD,115V,20A,60HZ |
| 105 | AW-20281 | 1 | POWER CORD,220V 15A,60HZ |
| 106 | AW-20282 | 1 | POWER CORD,230V,16A,50HZ |
| 107 | AW-20283 | 1 | POWER CORD,UK,230V,13A,50HZ |
| 108 | AW-22228 | 1 | POWER CORD,13A,250V IEC 60320, |
| 109 | AW-24059 | 1 | POWERCORD,250V 15A AUS/NZ |
| 110 | AW-25664 | 1 | POWER CORD,16A/250V,2.5m,CHINE |
| 231 | HS-22651 | 22 | BOLT,3-8-16-.75 BHCS,ZN |
| 300 | AX-23019 | 1 | KIT,INSTALL,HARDWARE,770T |
| 301 | AX-22778 | 2 | STANDOFF,M-F,3-8-16X1.60, .75H |
| 302 | AX-22779 | 2 | STANDOFF,M-F,3-8-16X 2.59, .75 |
| 303 | FS-23071 | 1 | BRACKET,POWER CORD RETAINING |
| 306 | HX-00440 | 1 | HEX KEY 7-32IN. |

625T Motors



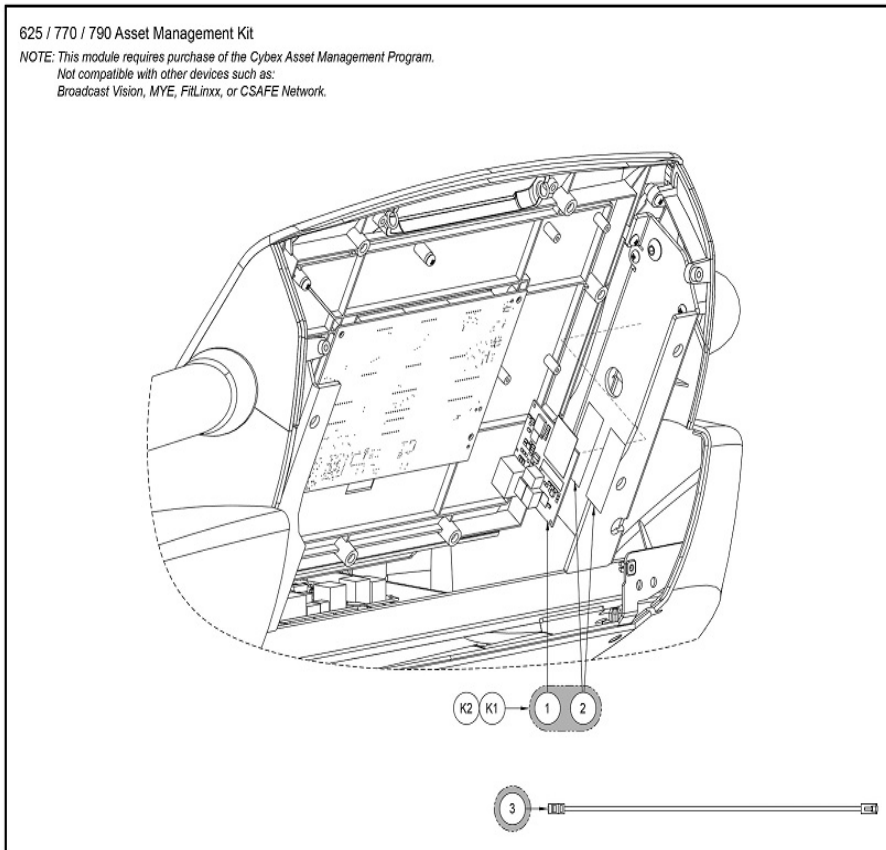
| Ref # | Part Number | Qty | Description |
|-------|-------------|-----|--------------------------------|
| K1 | PKHX-25604 | 1 | ELEV,TUBENUT,KIMATEK 525 625 7 |
| K2 | PKHX-25605 | 1 | ELEV,TUBENUT,VON WEISE 525 625 |
| 2 | AF-20052 | 2 | BRKT,MOTOR,MOUNTING,7XXT |
| 14 | AX-24743 | 1 | ASSY,ELEVATION,770T |
| 27 | BD-22464 | 1 | BELT,DRIVE,POLY-V8 RIB AC MOTO |
| 34 | FM-20096 | 2 | PIN,ELEVATION PIVOT |
| 45 | HB-20098 | 2 | BEARING,THRUST,BRONZE,.623IDX1 |
| 46 | HN-11136 | 4 | KEPS 5/16-18 HEX STL ZINC |
| 68 | HX-13771 | 2 | RING,RETAIN,5-8" .579 FR.ID |
| 74 | MR-22239 | 1 | MOTOR,AC DRIVE 220V,3HP |
| 81 | AF-24742 | 1 | WELDMENT,ELEVATION,770T |
| 82 | HB-20097 | 2 | BEARING,FLANGE,BRONZE,.625IDX. |
| 83 | CW-22240 | 2 | WHEEL,80MM DIA X 32MM W |
| 84 | HS-60022 | 2 | BOLT,3-8X2.25,HXHD CAP,BLK ZN, |
| 85 | HX-22247 | 2 | BUSHING,SPANNER,.500 OD X 1.5i |
| 86 | HN-60064 | 2 | NUT JAM 3-8IN.-16 BLK ZN |
| 87 | FM-25595 | 1 | SHAFT,ELEVATION UPPER |
| 101 | PKMR-23291 | 1 | Kit,ElevationMotor 115v,625T/7 |
| 111 | PKMR-23292 | 1 | Kit,ElevationMotor 220v,625T/7 |
| 130 | HX-25594 | 2 | RING RETAINING EXT,3-8 IN SHAF |
| 131 | FM-24429 | 1 | SHAFT,ELEVATION,LOWER |

625T 770T Service Wheel



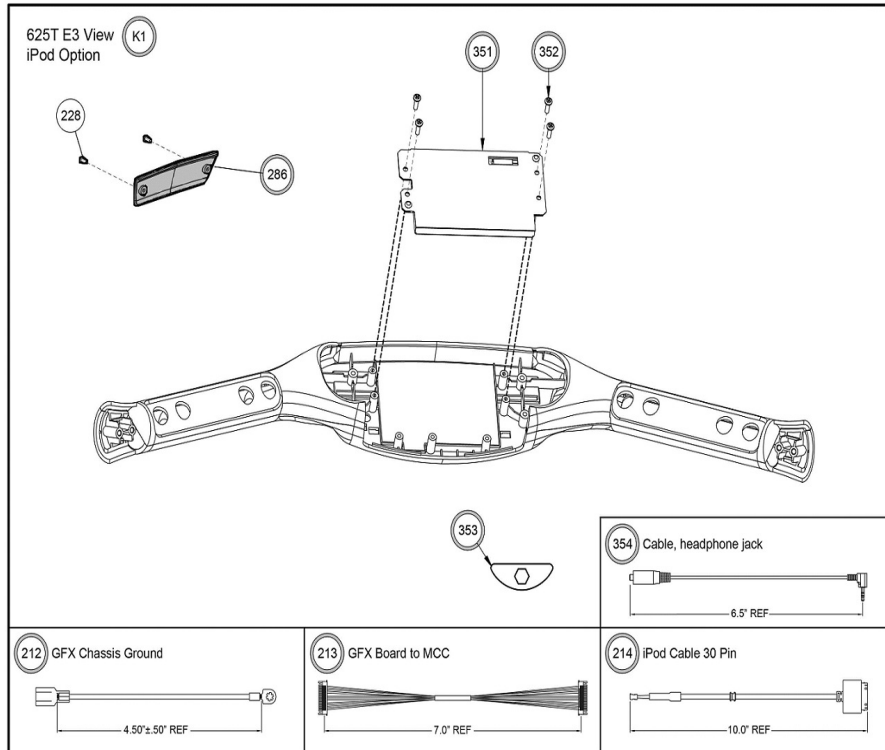
| Ref # | Part Number | Qty | Description |
|-------|-------------|-----|---|
| A1 | AX-25575 | 1 | ASSY,BRKT,SERVICE WHEEL 525T,6 |
| 1 | AF-24996 | 1 | WELD,BRKT WHEEL MOUNT,525T,625T,770T |
| K1 | KAX-25516 | 1 | KIT,SERVICE WHEEL,625T 770T |
| 2 | AF-25002 | 1 | WELD,LEVER,SERVICE WHEEL,625T 770T 790T |
| A2 | AX-25578 | 1 | ASSY,HANDLE,SERVICE WHEEL 625T |
| 4 | AX-24987 | 1 | ASSY,ROD END,SERVICE WHEEL |
| 5 | CW-25006 | 1 | CASTOR,SWIVEL,SERVICE WHEEL |
| 6 | DE-25047-4 | 1 | DECAL,PROTECTIVE,SLIDE LEVER,E |
| 7 | FM-24997 | 1 | PIN,BRKT,3RD WHEEL |
| 8 | FM-24999 | 2 | SPACER,PIVOT |
| 9 | FS-24994 | 1 | BRKT,FRAME PIVOT,SERVICE WHEEL |
| 10 | HN-12079 | 4 | KEPS 1-4-20 HEX STL ZINC |
| 11 | HN-25189 | 2 | NUT,NYLOCK M6X1,YELLOW ZN |
| 12 | HS-16875 | 4 | BOLT SEMS,1-4-20X.5,PNHD PHIL, |
| 13 | HS-25017 | 1 | BOLT,1-4X20X3-4,HXHD STL ZN GR |
| 14 | HS-25020 | 1 | SCREW,TT,1-4X-20X1-2" PNHD PHI |
| 15 | HS-25111 | 1 | SCREW,M6X1-22MM,FLHD,SOC CAP,S |
| 16 | HX-24689 | 2 | RETAINING RING,3-8 SHAFT,E TYP |
| 17 | HX-25018 | 2 | BUMPER,RUBBER,ROUND PUSH-IN |
| 18 | DE-25046 | 1 | DECAL,REAR ROLLER GUARD |

625T 770T 790T Asset Management Kit



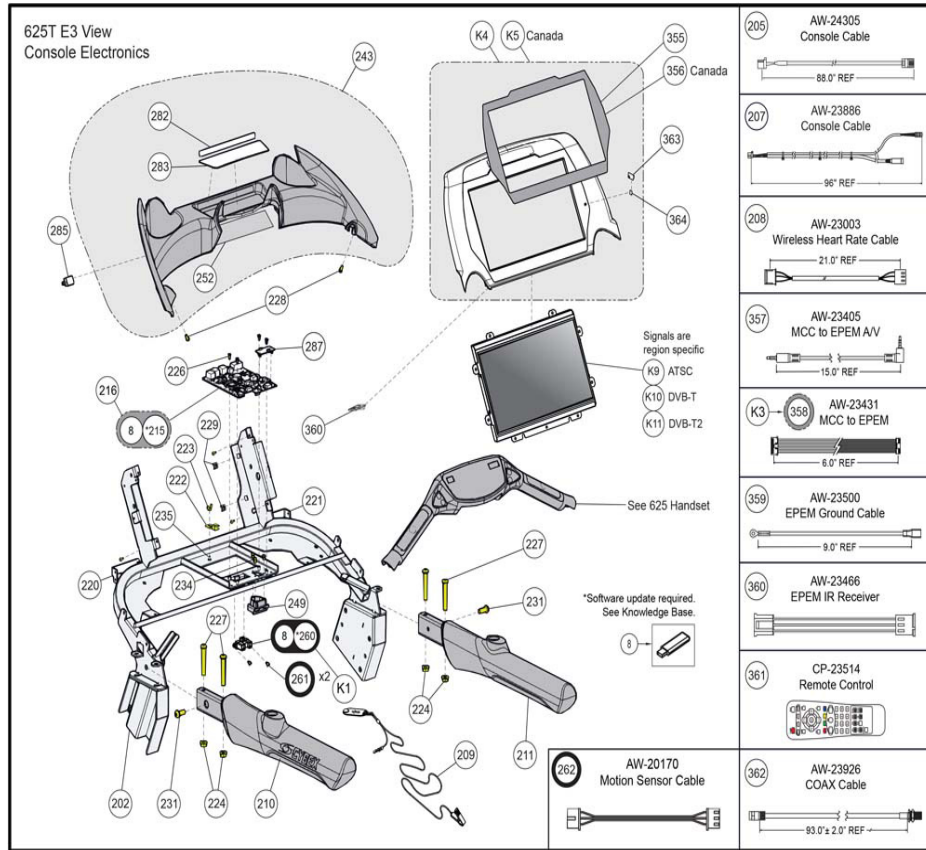
| Ref # | Part Number | Qty | Description |
|-------|-------------|-----|------------------------------------|
| 1 | AD-25138 | 1 | PCA,ELECT IMP AWM,SLDR MOD,EU |
| K1 | KU-25238 | 1 | UPGRADE KIT,AWM,IMP, 525 625 7 |
| 1 | AD-25136 | 1 | NLA: PCA,ELECT IMP AWM,SLDR MOD,US |
| 2 | HX-25109 | 2 | TAPE,DBL SIDED,VHB,1.0X.25X.12 |
| K2 | KU-25239 | 1 | UPGRADE KIT,AWM,IMP, 525 625 7 |
| 3 | AW-23501 | 1 | CABLE,CAT5E 18in |

625T-E3 View iPod Option (G1201 to L0731)



| Ref # | Part Number | Qty | Description |
|-------|-------------|-----|---|
| K1 | KAX-25113 | 1 | KIT,RETROFIT APPLE,625T |
| 212 | AW-22357 | 1 | CABLE,GFX CHASSIS GND |
| 213 | AW-22537 | 1 | CABLE,770T 670T GFX BOARD TO M |
| 214 | AW-22697 | 1 | CABLE,770T iPod 30PIN |
| 228 | HS-15706 | 2 | SCREW,8-16X.50,PNHD,STL,BLK ZN CLR,TYP WB |
| 286 | PL-24244 | 1 | COVER,IPOD CABLE ACCESS,NO USB |
| 351 | AX-24137 | 1 | ASSY,IPOD PCA,525 625 |
| 352 | HS-18320 | 4 | SCREW,6-19X1-2 in,PNHD PHIL,ZN |
| 353 | DE-22874 | 1 | |
| 354 | AW-22480 | 1 | CABLE,HEADPHONE JACK JUMPER |

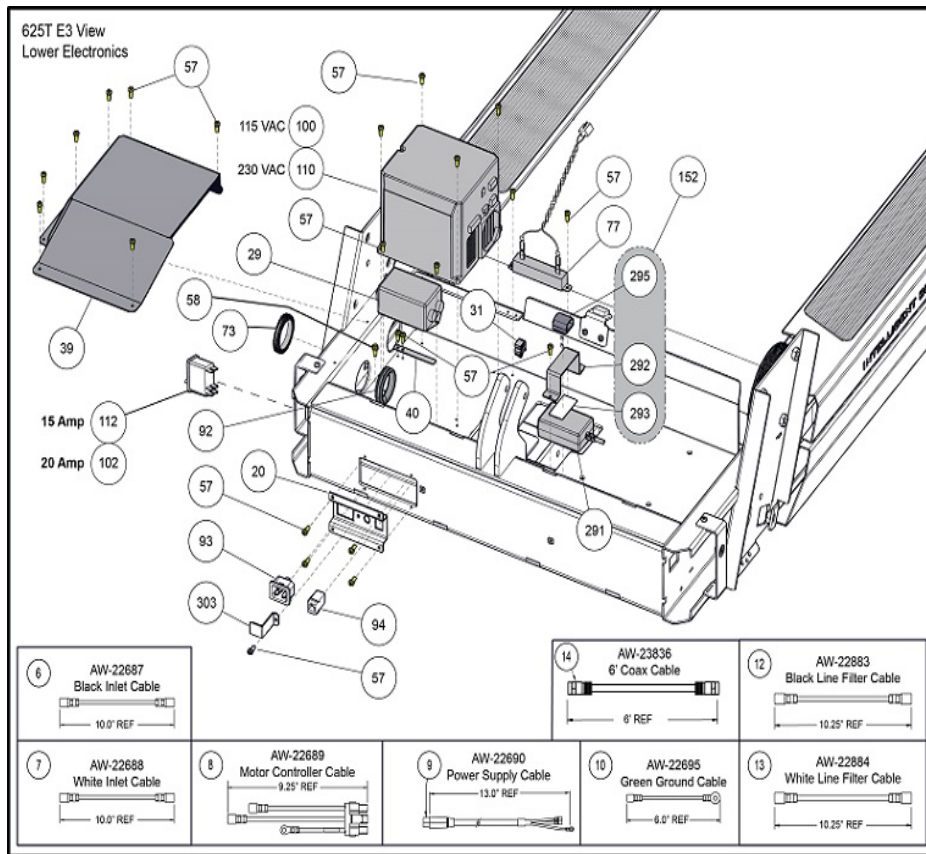
625T-E3 View E3 Console Electronics (Before K0914)



| Ref # | Part Number | Qty | Description |
|-------|-------------|-----|---|
| K1 | PKEC-24897 | 1 | KIT,IR SENSOR,625T |
| K3 | KAW-24391 | 1 | KIT,625T CONSOLE CABLES |
| K4 | KAX-25121 | 1 | KIT,BEZEL,REPLACE,E3,625T |
| K5 | KAX-25122-E | 1 | KIT,BEZEL,REPLACE,E3,625T-CAN |
| K8 | CP-23199 | 1 | USB 2.0 FLASH DRIVE,BLANK CDW 424820 for kit PKCP-23201 |
| K9 | PKCP-22564 | 1 | R&R NC KIT,e3 Replacement ATSC |
| K9 | CP-22564 | 1 | PEM,OPEN FRAME,ATSC |
| K10 | PKCP-22565 | 1 | KIT,e3 Replacement DVBT |
| K10 | CP-22565 | 1 | PEM,OPEN FRAME,LCD DVBT PPI kit part |
| K11 | CP-25454 | 1 | PEM,OPEN FRAME,DVBT2 |
| K11 | PKCP-25810 | 1 | KIT,E3 Replacement DVBT2 |
| 202 | AF-22595 | 1 | WELDMENT,CONSOLE 770T |
| 205 | AW-24305 | 1 | CABLE,525T 625T CONSOLE |
| 207 | AW-23886 | 1 | CABLE,CONSOLE 525T,EPEM |
| 208 | AW-23003 | 1 | CABLE,WHR CONNECT,770T |
| 209 | AX-24103 | 1 | ASSY,LANYARD,ESTOP KEY |
| 210 | AX-22466 | 1 | ASSY,HANDRAIL,PRIMARY,LEFT,770 |
| 211 | AX-22467 | 1 | ASSY,HANDRAIL,PRIMARY,RIGHT,77 |
| 215 | AD-22540 | 1 | NC PCA,MCC UNPROGRAMMED,W AUDIO,625T 770T |
| 216 | KAD-23539 | 1 | KIT,MCC BOARD W AUDIO,625T |

| Ref # | Part Number | Qty | Description |
|-------|-------------|-----|---|
| 220 | FS-22652 | 1 | BRKT,CONSOLE COVER,LEFT |
| 221 | FS-22653 | 1 | BRKT,CONSOLE COVER,RIGHT |
| 222 | FS-22881 | 1 | BRKT,SUPPORT,MCC |
| 223 | HN-22766 | 4 | NUT,8-32 WING,STL ZN,FORGED |
| 224 | HN-42043 | 4 | NUT 3-8-16 FLANGED SS BO |
| 226 | HS-14391 | 4 | SCREW SEMS,6-32X.38 PNHD PHIL |
| 227 | HS-14743 | 4 | BOLT 3-8-16X 3 BTHD |
| 228 | HS-15706 | 4 | SCREW,8-16X.50,PNHD,STL,BLK ZN CLR,TYP WB |
| 229 | HN-25291 | 4 | NUT,FLOATING 1-4-20 STL ZINC |
| 231 | HS-22651 | 4 | BOLT,3-8-16-.75 BHCS,ZN |
| 234 | HS-41187 | 4 | SCREW SLFTP,8-16X.3125,PLASTITE |
| 235 | HW-13762 | 4 | WASHER NO. 8 EXT ZNPL |
| 243 | KAX-23537 | 1 | Kit, Acc Tray, 625T, |
| 249 | PL-22763 | 1 | HOUSING,E-STOP,770T |
| 252 | HX-23070 | 1 | SHIELD,MCC,770T |
| 260 | EC-23085 | 1 | SENSOR,IR DISTANCE MEASURING |
| 261 | HS-10716 | 1 | SCREW,4-40X0.38,PNHD PHIL |
| 262 | AW-20170 | 1 | CABLE,MOTION SENSOR,750T 760T Sensor Dynamics |
| 282 | DE-22764 | 1 | Decal Warn Console 770T Custom |
| 283 | DE-23296 | 1 | LABEL: WARNING, LOWER, 625T CONSOLE Custom |
| 285 | EC-23020 | 1 | SENSOR,WIRELESS HEART RATE BOA |
| 287 | EC-22886 | 1 | SENSOR,CHR HUB |
| 355 | DE-22627 | 1 | MEMBRANE,UPPER DISPLAY,EPEM,77 |
| 356 | DE-22627-4 | 1 | MEMBRANE,UPPER DISPLAY,EPEM,77 |
| 357 | AW-23405 | 1 | CABLE,625T 770T MCC TO EPEM AV |
| 358 | AW-23431 | 1 | CABLE,625T 770T MCC TO EPEM |
| 359 | 770A-412 | 1 | CABLE, EPEM CHASSIS GROUND |
| 360 | AW-23466 | 1 | CABLE,EPEM PDI IR RECEIVER |
| 361 | 625A-335 | 1 | REMOTE, EPEM, PDI |
| 362 | AW-23926 | 1 | CABLE,COAX, 525T |
| 363 | AD-23465 | 1 | PCA,IR SENSOR,EPEM |
| 364 | HX-17788 | 1 | TAPE,DBL SIDED, .032THK |

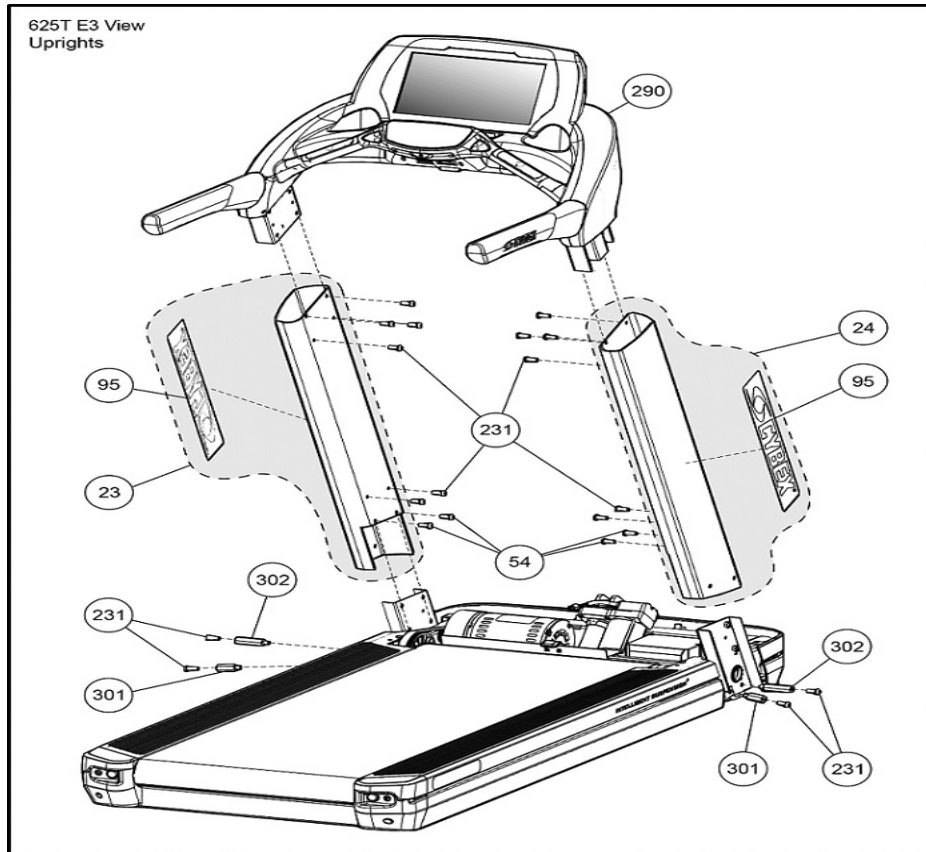
625T-E3 View Lower Electronics (After J0813)



| Ref # | Part Number | Qty | Description |
|-------|-------------|-----|--------------------------------|
| 6 | AW-22687 | 1 | WIRE 10IN JUMPER BLACK |
| 7 | AW-22688 | 1 | WIRE 10IN JUMPER WHITE |
| 8 | AW-22689 | 1 | CABLE,MOTOR CONTROLLER |
| 9 | AW-22690 | 1 | CORD,AUX POWER SUPPLY,C5 250V |
| 10 | AW-22695 | 1 | WIRE 6in INLET GND JUMPER |
| 12 | AW-22883 | 1 | WIRE10.25in JUMPER BLACK WITH |
| 13 | AW-22884 | 1 | WIRE10.25in JUMPER WHITE WITH |
| 14 | AW-23836 | 1 | CABLE,6' COAX F-TYPE M-M |
| 20 | AF-25857 | 1 | PLATE, POWER INLET, DUAL KEYST |
| 29 | EC-18896 | 1 | FILTER,16A |
| 31 | EH-20254 | 1 | CLIP,WIRE RETAINER,.24-.47"DIA |
| 39 | FS-23008 | 1 | *COVER,CONTROLLER,770T |
| 40 | FS-23041 | 1 | GROUND STRAP,CONTROLLER |
| 57 | HS-21672 | 10 | SCREW 8-32-1/2in TT TRILOBULAR |
| 58 | HS-22815 | 1 | SCREW,10-32 X .50,TAPTITE,GREE |
| 73 | HX-22832 | 1 | GROMMET,MOLDED,CUT TO LENGTH 5 |
| 77 | RE-23040 | 1 | RESISTOR,TM5 DYNAMIC BRAKE,7.5 |
| 92 | EH-16809 | 1 | GROMMET,1.12X.091-.125 NYLON |
| 93 | EH-22691 | 1 | INLET IEC320 16-20AMP SNAP FIT |
| 94 | CN-22747 | 1 | COUPLER,RJ45 F-F PANEL MOUNT |
| 100 | AD-23914 | 1 | CONTROLLER,115 IP,PFC |
| 102 | SW-19667 | 1 | SWITCH,THERMAL CB,20AMP 240V,R |

| Ref # | Part Number | Qty | Description |
|-------|-------------|-----|--------------------------------|
| 110 | AD-23915 | 1 | CONTROLLER,230 2N,NON PFC |
| 112 | SW-19666 | 1 | SWITCH,THERMAL CB,15AMP 240V,R |
| 152 | KAX-23290 | 1 | KIT,BRACKET,POWER SUPPLY |
| 291 | TR-25809 | 1 | Power Supply |
| 292 | FS-23044 | 1 | *STRAP,POWER SUPPLY |
| 293 | HX-21603 | 1 | TAPE, DBL SIDED, 1 X 2 X .032 |
| 295 | HX-14416 | 1 | CLIP,WIRE LATCHING,1X1 |
| 303 | FS-23071 | 1 | BRACKET,POWER CORD RETAINING |

625T-E3 View Upright



| Ref # | Part Number | Qty | Description |
|-------|-------------|-----|----------------------------------|
| 23 | AX-23009 | 1 | ASSY, UPRIGHT, LEFT Custom |
| 24 | AX-23010 | 1 | ASSY, UPRIGHT, RIGHT Custom |
| 54 | HS-16929 | 2 | BOLT WHIZ LCK, 3-8-16X.625, HXHD |
| 95 | DE-23249 | 2 | DECAL, CYBEX, COOL GRAY |
| 231 | HS-22651 | 12 | BOLT, 3-8-16-.75 BHCS, ZN |
| 290 | AC-23525 | 1 | |
| 290 | AC-23527 | 1 | *CONSOLE ASSY, 625T EPDM, DVB |
| 301 | AX-22778 | 2 | STANDOFF, M-F, 3-8-16X1.60, .75H |
| 302 | AX-22779 | 2 | STANDOFF, M-F, 3-8-16X 2.59, .75 |

