

625T Treadmill

625T-LED-09

Parts Manual

1/5/2019 5:09:22 AM

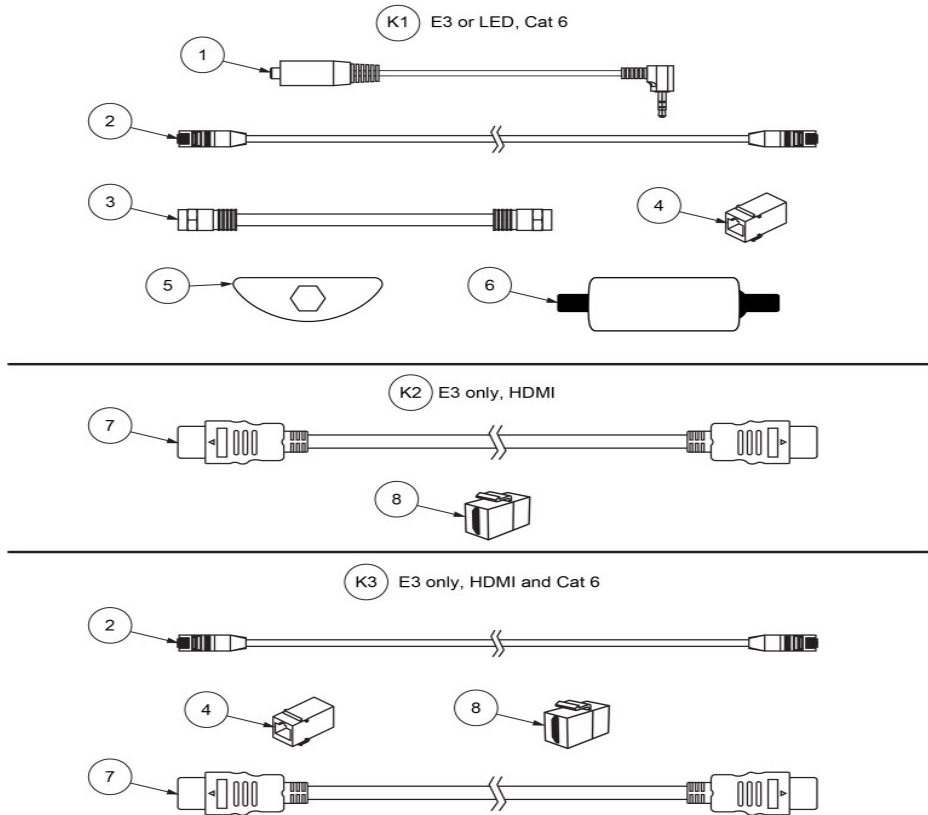


Table of Contents

STB upgrade kit 625T	3
625T iPod option (After L0801)	4
625T Belt Deck Rollers	5
625T Broadcast Vision Option	7
625T Console Covers	8
625T Console Electronics (After K0915)	9
625T Frame	11
625T Handset	13
625T Hardware Manual and Power Cords	14
625T Lower Electronics (After J0813)	15
625T Monitor Bracket Kit Option (After H06)	17
625T Motors	18
625T Planet Fitness	19
625T Snap Fitness	20
625T Total Access Option (After F09)	21
625T Upright (After F09)	22
625T Wireless Audio Option (After F09)	23
625T 770T Service Wheel	24
625T 770T 790T Asset Management Kit	25

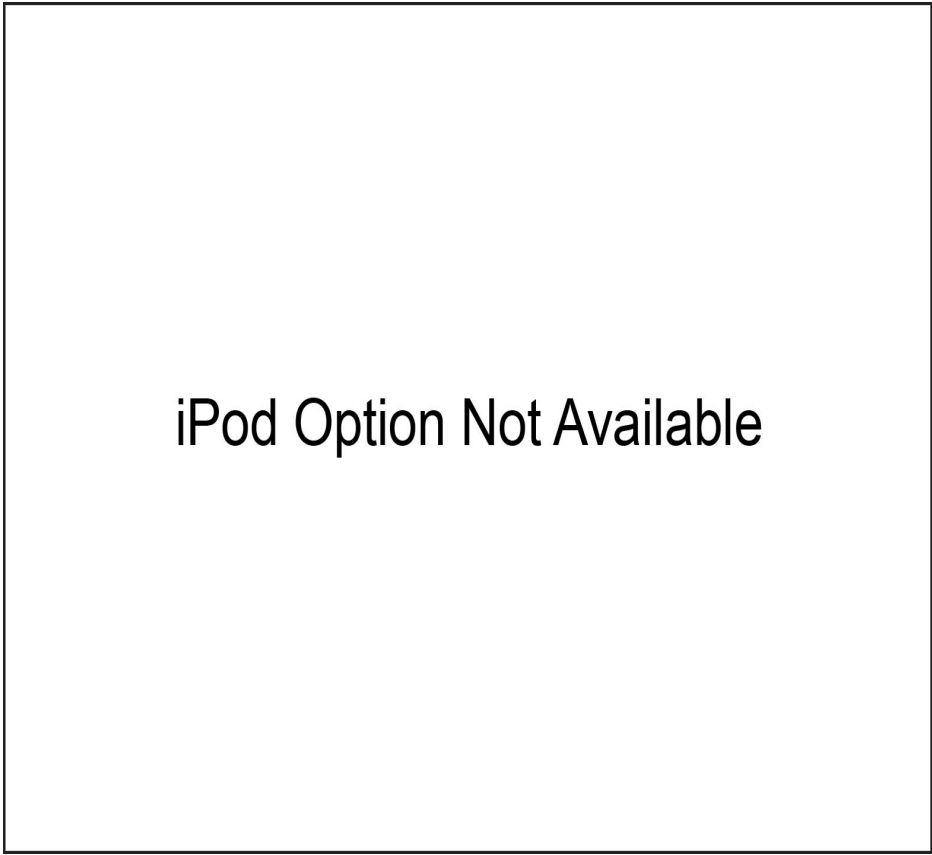
STB_upgrade_kit_625T

625T Treadmill, Set Top Box Kit



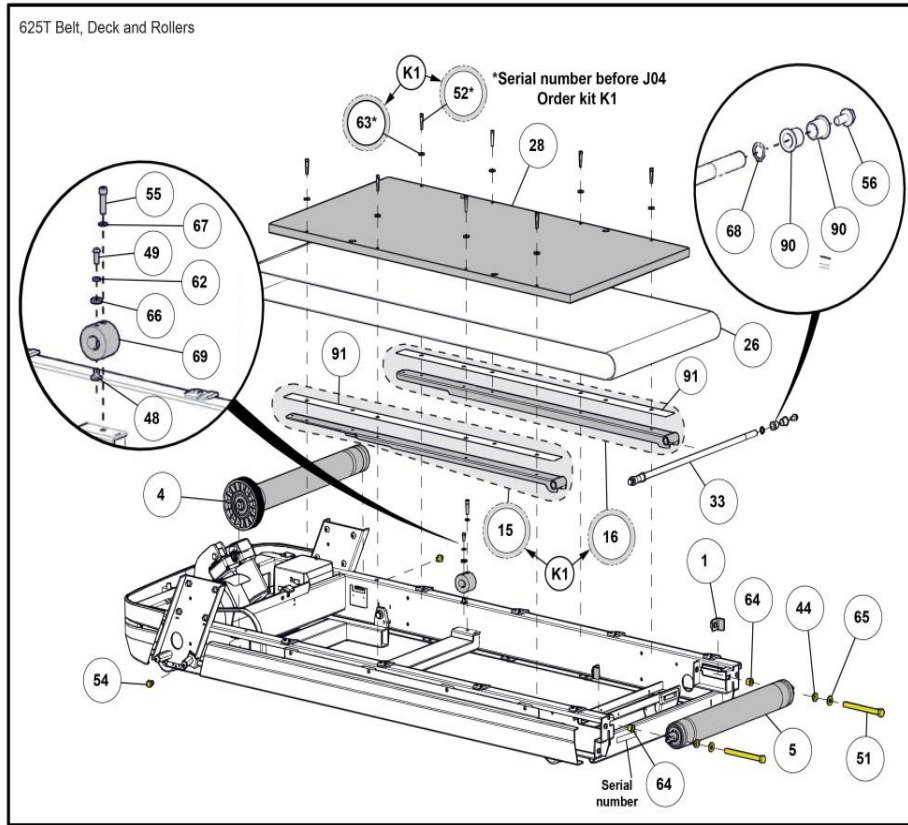
Ref #	Part Number	Qty	Description
1	AW-22480	1	CABLE, HEADPHONE JACK JUMPER
K1	PKAW-25939	1	UPGRADE KIT, 625T E3, LED CAT6
2	AW-24865	1	CABLE, CAT6 SHIELDED, 2.5M(98.4I
K2	PKAW-25941	1	UPGRADE KIT, TREAD, EPDM HDMI
3	AW-25319	1	CABLE, 6", RG6, 750 OHM, BLACK, M-M
K3	PKAW-25943	1	UPGRADE KIT, TREAD, EPDM HDMI CAT6
4	CN-24895	1	COUPLER, CAT6 SHIELDED RJ45 8 C
5	DE-22784	1	DECAL, HEADPHONE JACK, 770T
6	EC-25318	1	ISOLATOR, COAX, GRND LOOP, 5-860M
7	AW-25819	1	CABLE, HDMI 8' HIGH SPEED M-M
8	CN-25816	1	COUPLER, HDMI KEYSTONE

625T iPod option (After L0801)



Ref #	Part Number	Qty	Description
1	Z-02	1	

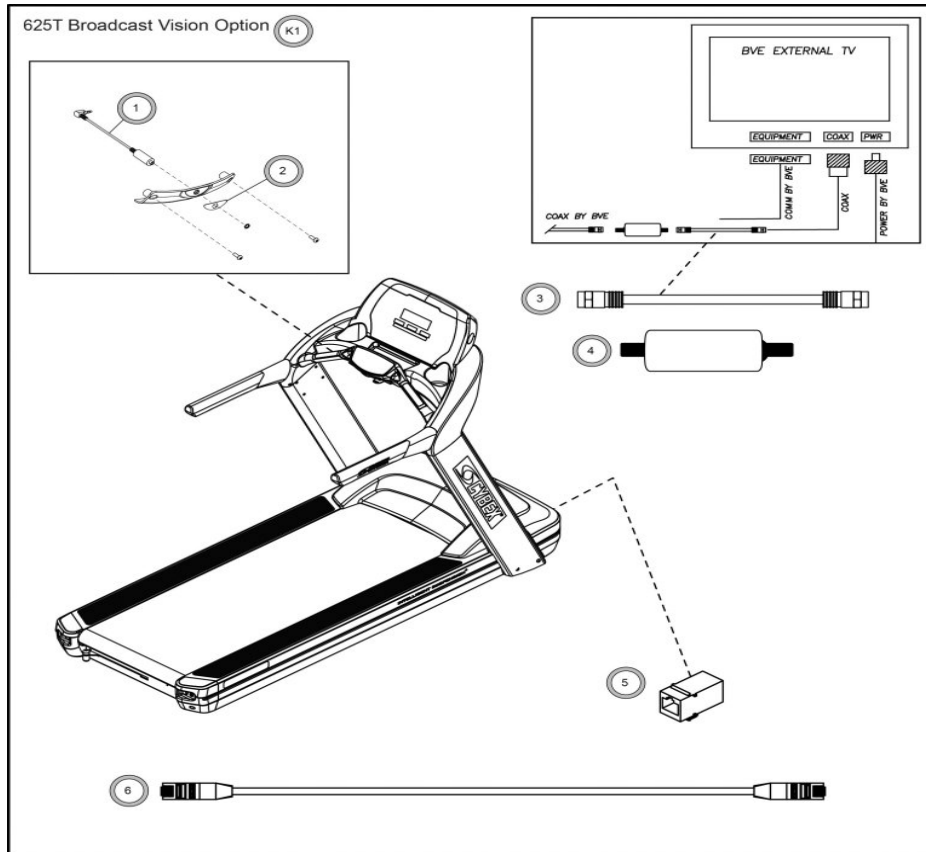
625T Belt Deck Rollers



Ref #	Part Number	Qty	Description
K1	PKAF-25027	1	KIT,DECK STIFFNER,625T770T790T
1	AF-19988	2	NUT,ROLLER,REAR FRONT,7XXT
4	AL-23586	1	ASSY,FRONT ROLLER
5	AL-23587	1	ASSY,REAR ROLLER
15	AX-22451	1	ASSY,IS3 PIVOT BRACKET,LEFT,650T
16	AX-22454	1	ASSY,IS3 PIVOT BRACKET,RIGHT,650T
26	BD-22463	1	BELT,RUNNING,60" SYNTHETIC FIB
28	DK-22585	1	DECK,RUNNING,SYNTHETIC,625T
33	FM-22458	1	SHAFT,PIVOT IS3,770T
44	HB-16367	2	BUSHING .50IDX.62ODX.31LG,FLAN
48	HN-20041	2	NUT,1-4-20 PROPELLER .305 OD
49	HS-11347	2	BOLT,1-4-20X0.75,SCHD BTN,BLK
51	HS-15480	2	BOLT TAP,1-2-13X6,HXHD,G5
52	HS-24905	4	BOLT,5-16-18X1.75 HXHD,GR5,BLK ZN,W-LOCKING PATCH
54	HS-16929	2	BOLT WHIZ LCK,3-8-16X.625,HXHD
55	HS-18358	2	BOLT,5-16-18X.1.25,SCHD CAP,BL
56	HS-19108	2	SCREW 5-16-18X3-4LG,HXHD,WHIZ-
62	HW-00180	2	WSHR LOCK SPLIT 1-4,SST,BLK PASSIVATE
63	HW-24082	4	WSHR,PLAIN,5-16X .88 X .075,STL,ZN
64	HW-00590	2	BUSHING,NYLON,1-2 in
65	HW-10028	2	WSHR B 1-2 NARROW ZINC

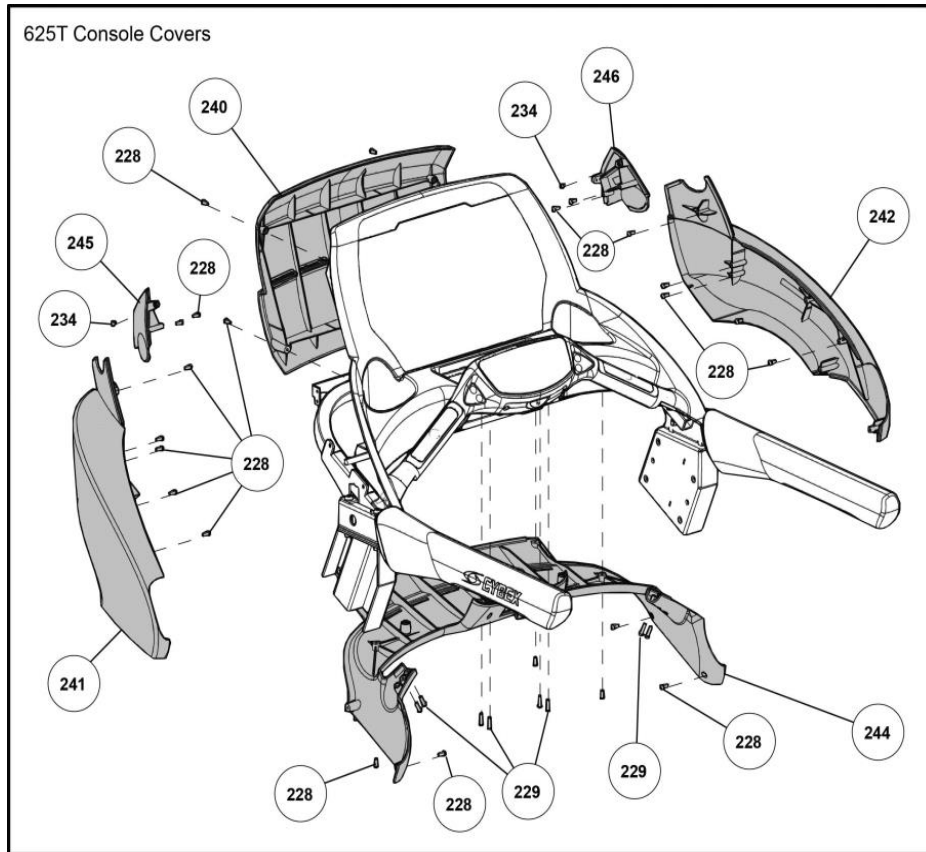
Ref #	Part Number	Qty	Description
66	HW-18123	2	WSHR,,.344IDX.75 ODX.125THK,HAR
67	HW-20044	2	WSHR,BELLEVILLE,15X8.2X1.0MM,.
68	HX-13771	2	RING,RETAIN,5-8" .579 FR.ID
69	HX-19991	2	BUMPER,SPRING DECK,2.10X2.34X1
90	HB-18768	2	BEARING,IGUS LF-1011-12
91	HX-22457	2	TAPE 1.88X45in MYLAR

625T Broadcast Vision Option



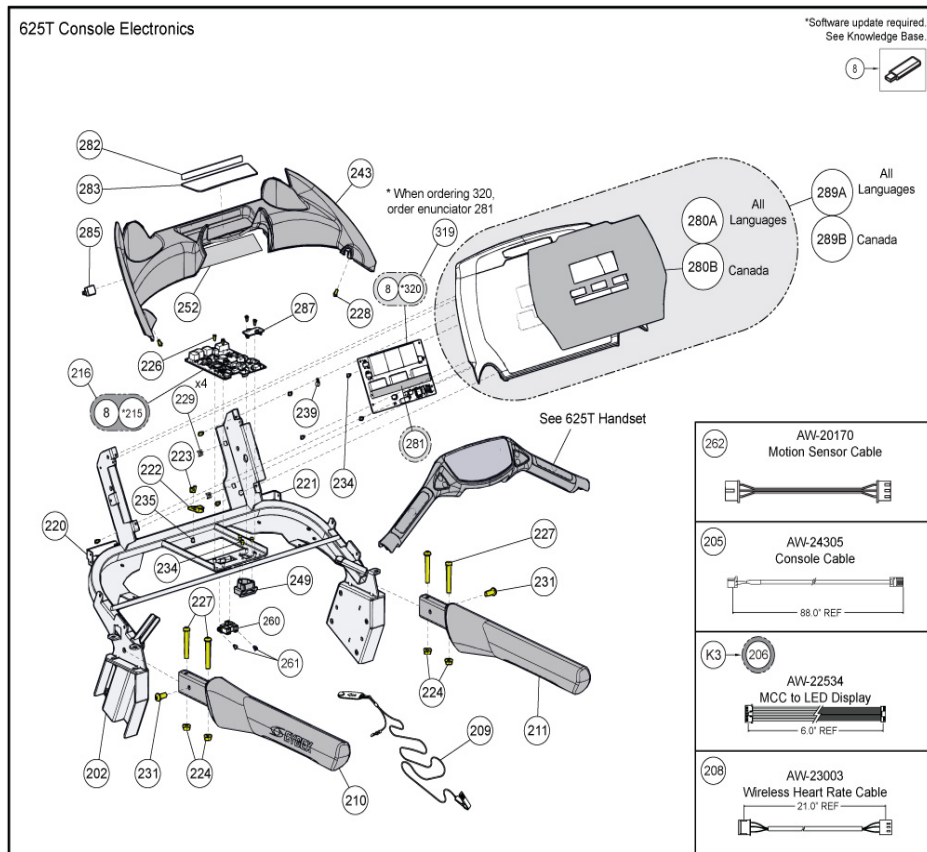
Ref #	Part Number	Qty	Description
K1	KU-25273	1	UPGRADE KIT,625T BROADCAST VIS
1	AW-22480	1	CABLE,HEADPHONE JACK JUMPER
2	DE-22784	1	DECAL,HEADPHONE JACK,770T
3	AW-25319	1	CABLE,6",RG6,750 OHM,BLACK,M-M
4	EC-25318	1	ISOLATOR,COAX,GRND LOOP,5-860M
5	CN-24895	1	COUPLER,CAT6 SHIELDED RJ45 8 C
6	AW-24865	1	CABLE,CAT6 SHIELDED,2.5M(98.4I

625T Console Covers



Ref #	Part Number	Qty	Description
228	HS-15706	8	SCREW,8-16X.50,PNHD,STL,BLK ZN CLR,TYP WB
229	HS-18311	18	SCREW,8-16X.75,PNHD PHIL,STL,B
234	HS-41187	2	SCREW SLFTP,8-16X.3125,PLASTITE
240	PL-22557	1	CONSOLE BACK,625T 770T
241	PL-22558	1	CONSOLE SIDE,LEFT
242	PL-22559	1	CONSOLE SIDE,RIGHT
244	PL-22561	1	CONSOLE BOTTOM,770T
245	PL-22574	1	CONSOLE SIDE,UPPER LEFT,NO HDR
246	PL-22575	1	CONSOLE SIDE,UPPER RIGHT,NO HD

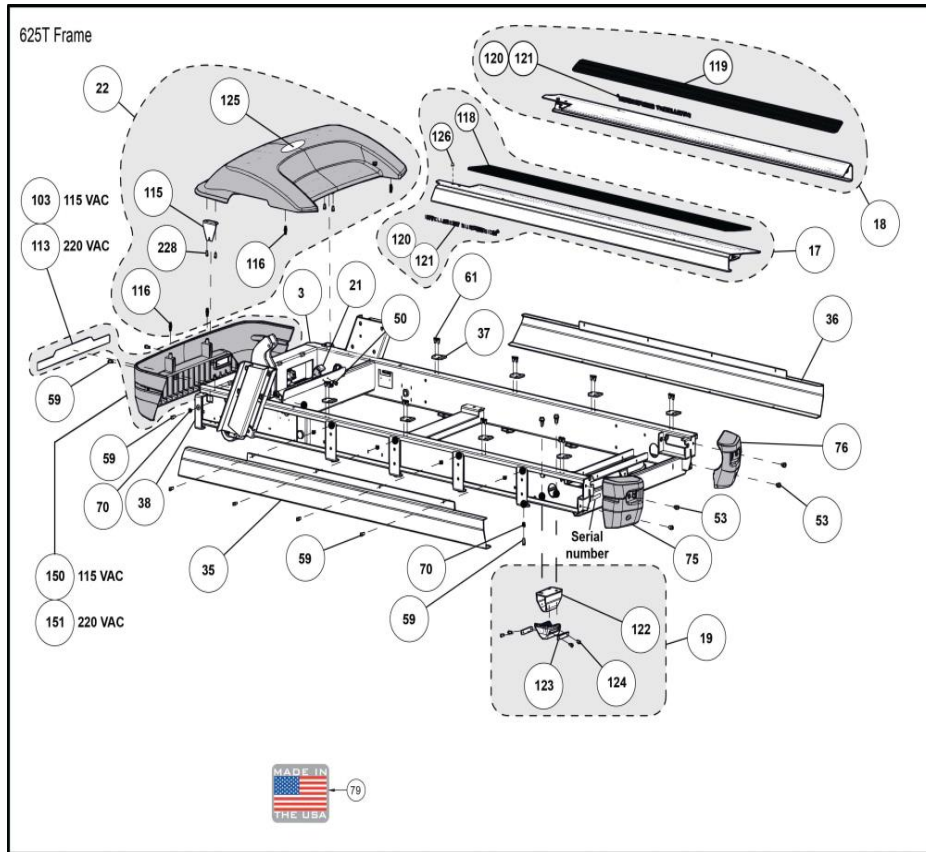
625T Console Electronics (After K0915)



Ref #	Part Number	Qty	Description
K3	KAW-24391	1	KIT,625T CONSOLE CABLES
8	CP-23199	1	USB 2.0 FLASH DRIVE,BLANK CDW 424820 for kit PKCP-23201
202	AF-22595	1	WELDMENT,CONSOLE 770T
205	AW-24305	1	CABLE,525T 625T CONSOLE
206	AW-22534	1	CABLE,770T 625T MCC TO LED DIS
208	AW-23003	1	CABLE,WHR CONNECT,770T
209	AX-24103	1	ASSY,LANYARD,ESTOP KEY
210	AX-23046	1	ASSY, HANDRAIL, BASIC LEFT
211	AX-23047	1	ASSY, HANDRAIL, BASIC RIGHT
215	AD-22540	1	NC PCA,MCC UNPROGRAMMED,W AUDIO,625T 770T
216	KAD-23539	4	KIT,MCC BOARD W AUDIO,625T
220	FS-22652	1	BRKT,CONSOLE COVER,LEFT
221	FS-22653	1	BRKT,CONSOLE COVER,RIGHT
222	FS-22881	1	BRKT,SUPPORT,MCC
223	HN-22766	2	NUT,8-32 WING,STL ZN,FORGED
224	HN-42043	4	NUT 3-8-16 FLANGED SS BO
226	HS-14391	5	SCREW SEMS,6-32X.38 PNHD PHIL
227	HS-14743	4	BOLT 3-8-16X 3 BTHD
229	HN-25291	2	NUT,FLOATING 1-4-20 STL ZINC
231	HS-22651	2	BOLT,3-8-16-.75 BHCS,ZN
234	HS-41187	8	SCREW SLFTP,8-16X.3125,PLASTITE

Ref #	Part Number	Qty	Description
235	HW-13762	4	WASHER NO. 8 EXT ZNPL
239	HX-23021	1	CLIP,CABLE CLAMP,3-16DIA
243	KAX-23537	1	Kit, Acc Tray, 625T,
249	PL-22763	1	HOUSING,E-STOP,770T
252	HX-23070	1	SHIELD,MCC,770T
260	EC-23085	1	SENSOR,IR DISTANCE MEASURING
261	HS-10716	2	SCREW,4-40X0.38,PNHD PHIL
262	AW-20170	1	CABLE,MOTION SENSOR,750T 760T Sensor Dynamics
280A	DE-23835	1	MEMBRANE,UPPER DISPLAY,625T
280B	DE-23080-4	1	LABEL,UPPER DISPLAY,LED,ENG-CA
281	DE-23834	1	Label Enunciator 770T
282	DE-22764	1	Decal Warn Console 770T Custom
283	DE-23296	1	LABEL: WARNING, LOWER, 625T CONSOLE Custom
285	EC-23020	1	SENSOR,WIRELESS HEART RATE BOA
287	EC-22886	1	SENSOR,CHR HUB
289B	KAX-23535-E	1	KIT,CONSOLE PANEL FRONT,625T,C
289A	KAX-23535	1	KIT,CONSOLE PANEL FRONT,625T
319	KAD-23536	1	Kit Display Board 625T
320	770A-346	1	PCA, LED DISPLAY BOARD

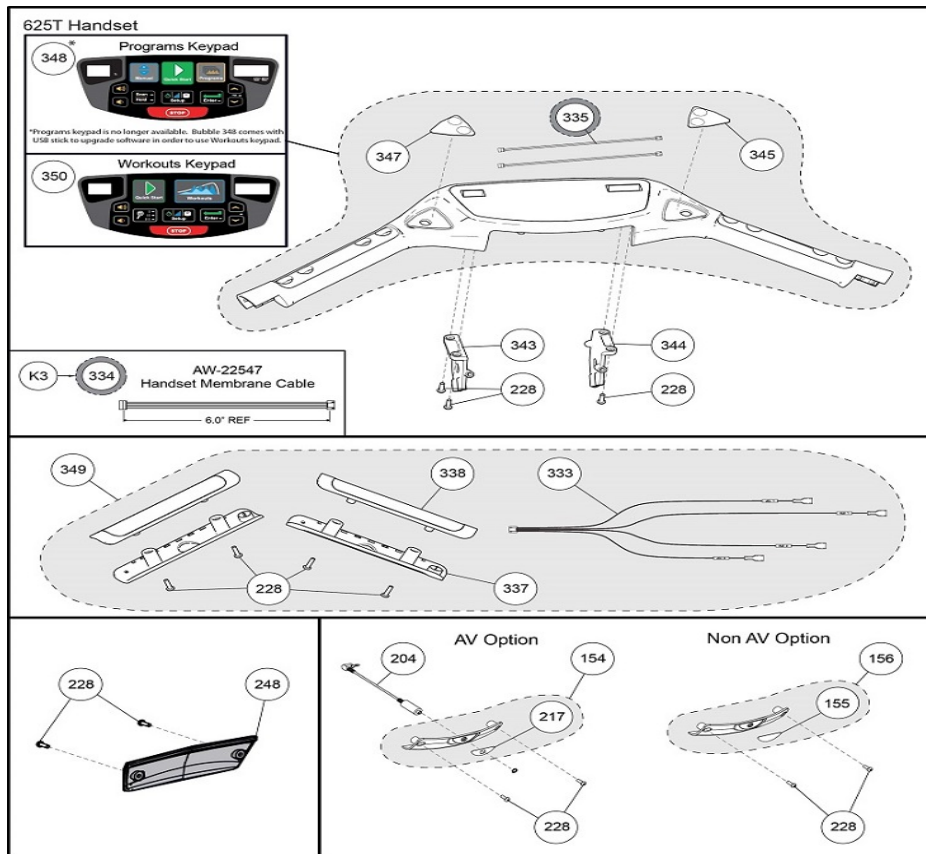
625T Frame



Ref #	Part Number	Qty	Description
3	AF-22433	1	WELDMNT,FRAME,625T 770T
17	AX-22483	1	ASSY, TOP STEP, LEFT, 770T Custom
18	AX-22487	1	ASSY, TOP STEP, RIGHT, 770T Custom
19	AX-22522	2	*ASSY, REAR FOOT, 770T
21	AX-22869	1	ASSY, MOTOR COVER SUPPORT
22	AX-22880	1	KIT, HOOD COVER, UPPER
35	PC-22492	1	PANEL, SIDE, LEFT, COATED, 770T Custom
36	PC-22493	1	PANEL, SIDE, RIGHT, COATED, 770T Custom
37	FS-22511	8	CLAMP, TOP STEP, 770T
38	FS-22866	2	BRKT, HOOD COVER
50	HS-11976	2	SCREW SEMS, 10-32X.38, EXT, ZN
53	HS-16875	4	BOLT SEMS, 1-4-20X.5, PNHD PHIL,
59	HS-22816	2	SCREW, 10-14 X .75, PLASTITE, STL
61	HS-41006	8	SCREW SLFTP, 10-24X.5, PNHD PHIL, 410SS, HRDBO, WAX, TT
70	HX-20360	4	INSERT, EXPANSION, PLASTIC, #8-#1
75	PL-22817	1	END CAP, LEFT, 770T
76	PL-22818	1	END CAP, RIGHT, 770T
79	11040-790	1	NLA: DECAL, MADE IN THE USA
103	DE-22910	1	LABEL, ETL, 115V WARNING, MOTOR COVER
113	DE-23079	1	LABEL, ETL, 220V WARNING, MOTOR COVER
115	FS-22870	2	BRKT, MOTOR COVER

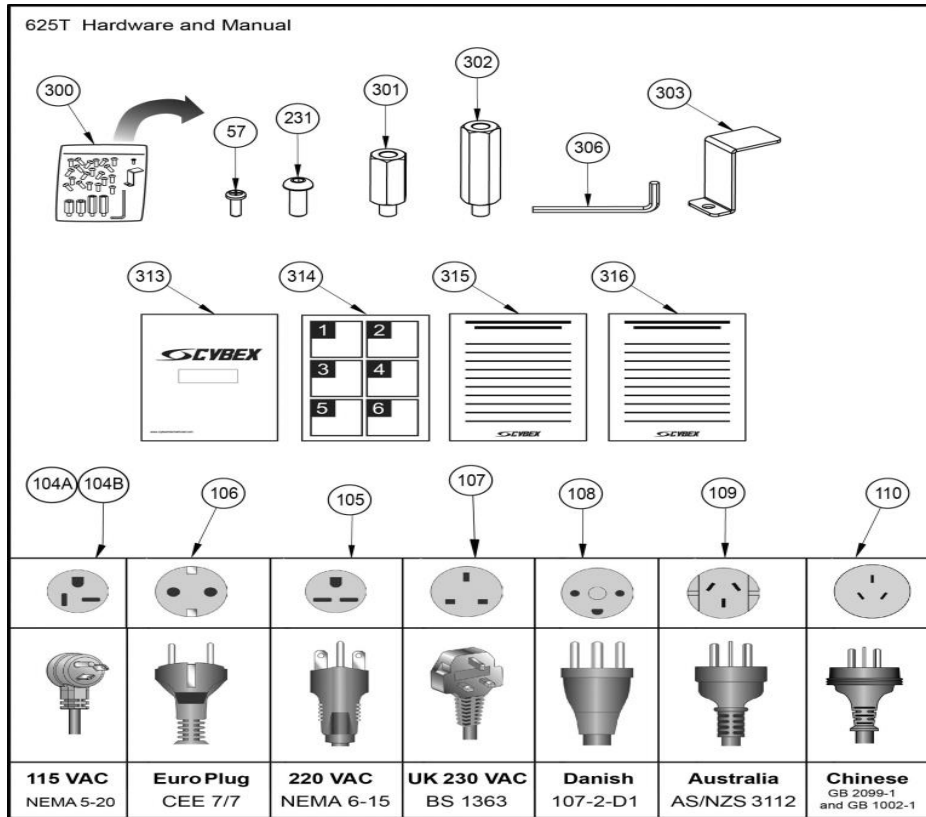
Ref #	Part Number	Qty	Description
116	HX-21519	2	PIN,PLASTIC RETAINIER
118	DE-22491	1	DECAL, TOP STEP, LEFT
119	DE-22503	1	DECAL, TOP STEP, RIGHT
120	DE-22327	2	LABEL, BLACK, INTELLIGENT SUSPENSION 3
121	DE-22328	2	LABEL, SILVER, INTELLIGENT SUSPENSION 3
122	AF-22521	2	*WELDMENT, REAR FOOT, 770T
123	FS-16511	4	PLATE, REAR RUBBER FOOT MNT
124	HS-16509	8	SCREW SLFTP, 10X.5, PNHD, PLT, TYP
125	DE-19198	1	DECAL, CYBEX LOGO Empire screen
126	HX-22879	2	GROMMET, 7-32IDX17-32ODX25-64THK
150	KAX-23288	1	KIT, COVER FRAME, FRONT W-DECAL
151	KAX-23289	1	KIT, COVER FRAME, FRONT W-DECAL
228	HS-15706	6	SCREW, 8-16X.50, PNHD, STL, BLK ZN CLR, TYP WB

625T Handset



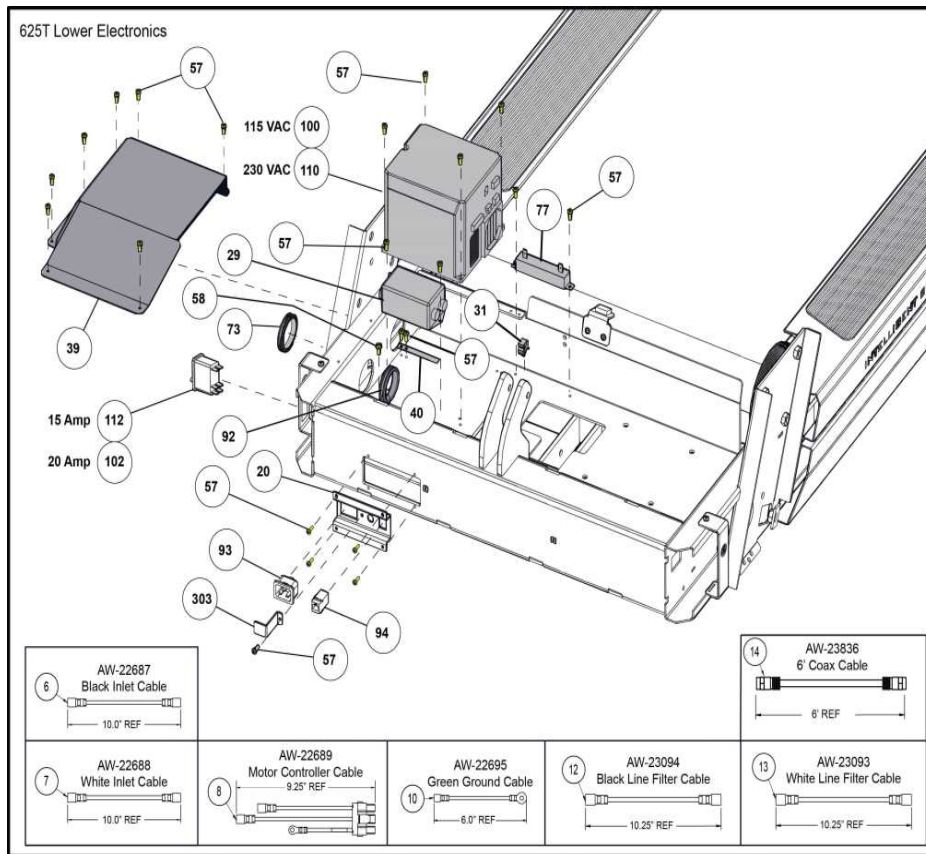
Ref #	Part Number	Qty	Description
K3	KAW-24391	1	KIT,625T CONSOLE CABLES
154	KPL-23267	1	KIT,COVER,MCC ACCESS,AV
155	DE-22785	1	DECAL,HEADPHONE JACK,BLANK,625
156	KPL-23266	1	KIT,COVER,MCC ACCESS,NON-AV
204	AW-22480	1	CABLE,HEADPHONE JACK JUMPER
217	DE-22784	1	DECAL,HEADPHONE JACK,770T
228	HS-15706	4	SCREW,8-16X.50,PNHD,STL,BLK ZN CLR,TYP WB
248	PL-22656	1	COVER,IPOD CABLE ACCESS,BLANK
333	AW-22543	1	CABLE,CHR GRIP
334	AW-22547	1	CABLE,HANDSET MEMBRANE,770T
335	770A-365	1	CABLE,THUMB CONTROLS
337	AX-21339	1	PLATE,GRIP,LOWER INSERT,W-META
338	AX-21340	1	PLATE,GRIP,UPPER INSERT,W-META
343	PL-22580	1	BRKT,HANDSET SUPPORT,LEFT
344	PL-22581	1	BRKT,HANDSET SUPPORT,RIGHT
345	SW-22388	1	MEMBRANE,THUMB CONTROL,RIGHT,S
347	SW-22545	1	MEMBRANE,THUMB CONTROL,LEFT,IN
348	KPL-23983	1	KIT,HANDSET W-MEMB,AV,W-USB- Custom
349	KAX-23293	1	KIT,CHR GRIPS W-CABLE
350	KPL-23533	1	Kit Handset AV w Keypad Custom

625T Hardware Manual and Power Cords



Ref #	Part Number	Qty	Description
57	HS-21672	1	SCREW 8-32-1/2in TT TRILOBULAR
104A	AW-20280	1	POWER CORD,115V,20A,60HZ
104B	AW-24574	1	POWER CORD,115V 20A 60Hz,6FT
105	AW-20281	1	POWER CORD,220V 15A,60HZ
106	AW-20282	1	POWER CORD,230V,16A,50HZ
107	AW-20283	1	POWER CORD,UK,230V,13A,50HZ
108	AW-22228	1	POWER CORD,13A,250V IEC 60320,
109	AW-24059	1	POWERCORD,250V 15A AUS/NZ
110	AW-25664	1	POWER CORD,16A/250V,2.5m,CHINE
231	HS-22651	22	BOLT,3-8-16-.75 BHCS,ZN
300	AX-23019	1	KIT,INSTALL,HARDWARE,770T
301	AX-22778	2	STANDOFF,M-F,3-8-16X1.60, .75H
302	AX-22779	2	STANDOFF,M-F,3-8-16X 2.59, .75
303	FS-23071	1	BRACKET,POWER CORD RETAINING
306	HX-00440	1	HEX KEY 7-32IN.

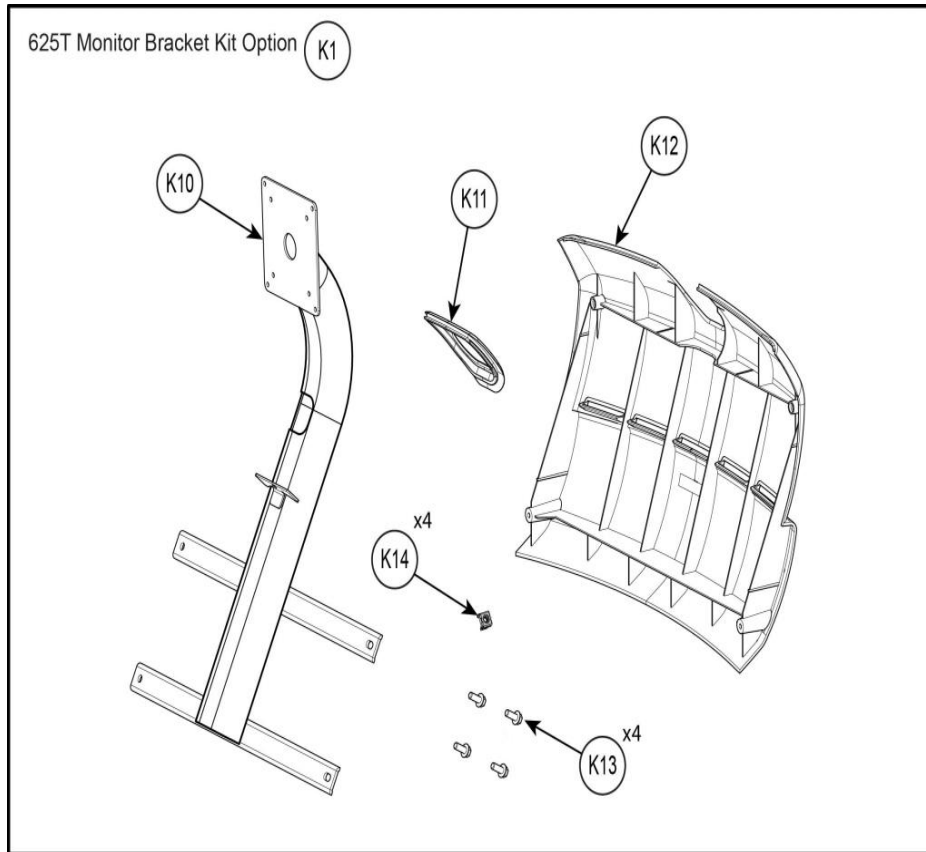
625T Lower Electronics (After J0813)



Ref #	Part Number	Qty	Description
6	AW-22687	1	WIRE 10IN JUMPER BLACK
7	AW-22688	1	WIRE 10IN JUMPER WHITE
8	AW-22689	1	CABLE,MOTOR CONTROLLER
10	AW-22695	1	WIRE 6in INLET GND JUMPER
12	AW-23094	1	WIRE 10-1/4in JUMPER BLACK
13	AW-23093	1	WIRE 10-1/4in JUMPER WHITE
14	AW-23836	1	CABLE,6' COAX F-TYPE M-M
20	AF-25857	1	PLATE, POWER INLET, DUAL KEYST
29	EC-18896	1	FILTER,16A
31	EH-20254	1	CLIP,WIRE RETAINER,.24-.47"DIA
39	FS-23008	1	*COVER,CONTROLLER,770T
40	FS-23041	1	GROUND STRAP,CONTROLLER
57	HS-21672	20	SCREW 8-32-1/2in TT TRILOBULAR
58	HS-22815	1	SCREW,10-32 X .50,TAPTITE,GREE
73	HX-22832	1	GROMMET,MOLDED,CUT TO LENGTH 5
77	RE-23040	1	RESISTOR,TM5 DYNAMIC BRAKE,7.5
92	EH-16809	1	GROMMET,1.12X.091-.125 NYLON
93	EH-22691	1	INLET IEC320 16-20AMP SNAP FIT
94	CN-22747	1	COUPLER,RJ45 F-F PANEL MOUNT
100	AD-23914	1	CONTROLLER,115 IP,PFC
102	SW-19667	1	SWITCH,THERMAL CB,20AMP 240V,R
110	AD-23915	1	CONTROLLER,230 2N,NON PFC

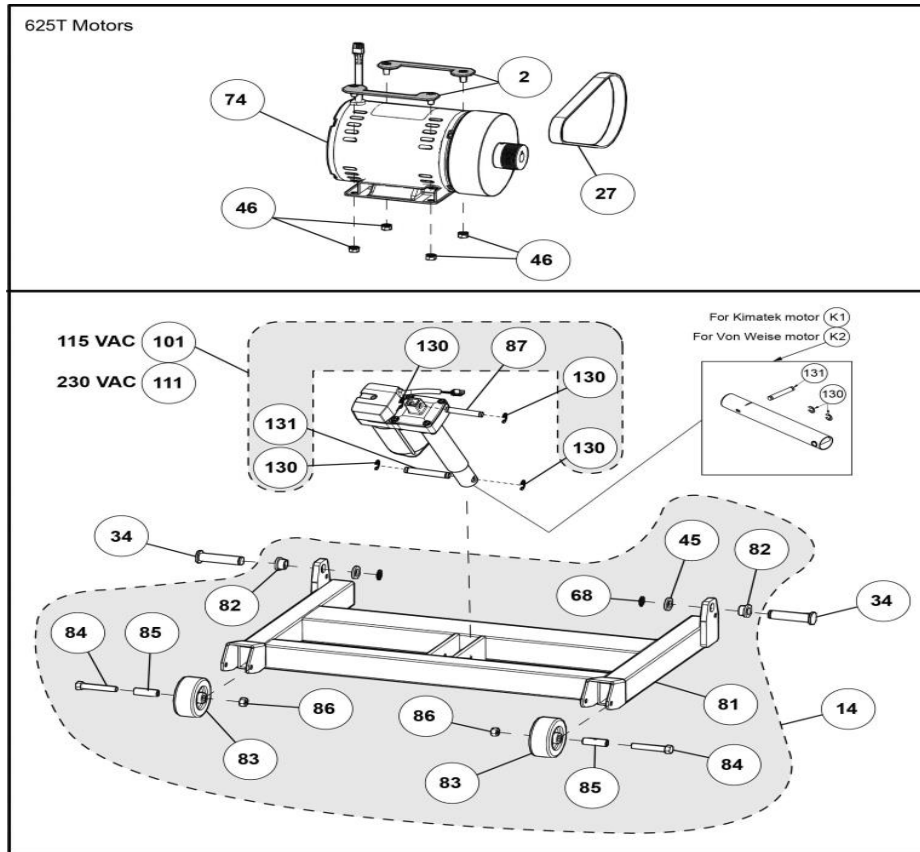
Ref #	Part Number	Qty	Description
112	SW-19666	1	SWITCH,THERMAL CB,15AMP 240V,R
303	FS-23071	1	BRACKET,POWER CORD RETAINING

625T Monitor Bracket Kit Option (After H06)



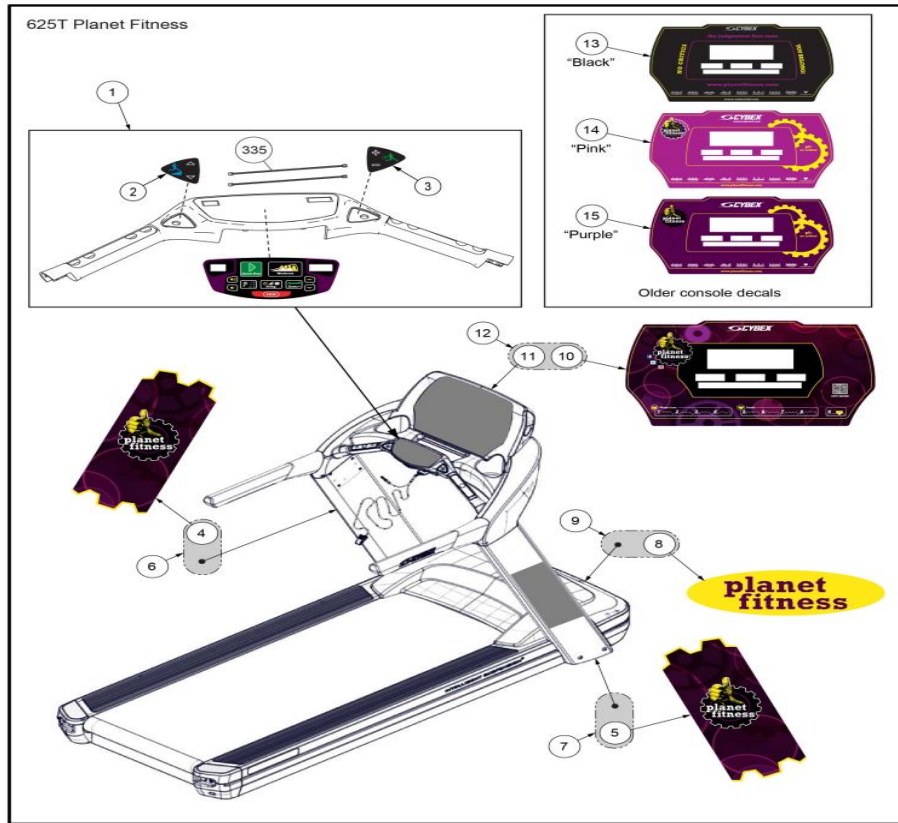
Ref #	Part Number	Qty	Description
K1	KU-24582	1	UPGRADE KIT,MONITOR BRKT,625T
K10	AF-24380	1	WELDMENT,NETPULSE BRACKET,770T
K11	PL-23122	1	GASKET, TOP,PEM
K12	PL-23121	1	CONSOLE BACK,770T,MACHINED
K13	HS-12083	4	BOLT LCK,1-4-20X.625
K14	HN-25291	4	NUT,FLOATING 1-4-20 STL ZINC

625T Motors



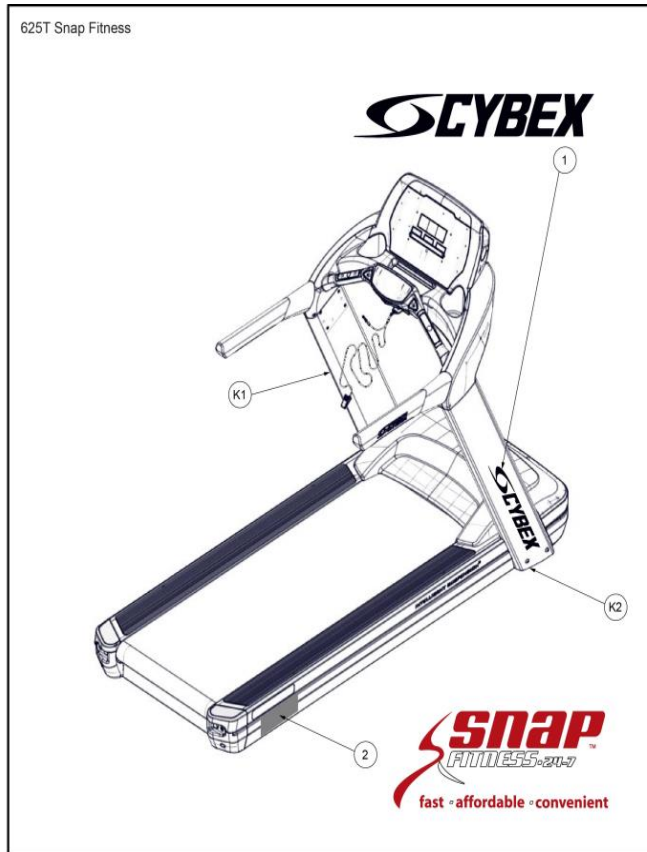
Ref #	Part Number	Qty	Description
K1	PKHX-25604	1	ELEV,TUBENUT,KIMATEK 525 625 7
K2	PKHX-25605	1	ELEV,TUBENUT,VON WEISE 525 625
2	AF-20052	2	BRKT,MOTOR,MOUNTING,7XXT
14	AX-24743	1	ASSY,ELEVATION,770T
27	BD-22464	1	BELT,DRIVE,POLY-V8 RIB AC MOTO
34	FM-20096	2	PIN,ELEVATION PIVOT
45	HB-20098	2	BEARING,THRUST,BRONZE,.623IDX1
46	HN-11136	4	KEPS 5/16-18 HEX STL ZINC
68	HX-13771	2	RING,RETAIN,5-8" .579 FR.ID
74	MR-22239	1	MOTOR,AC DRIVE 220V,3HP
81	AF-24742	1	WELDMENT,ELEVATION,770T
82	HB-20097	2	BEARING,FLANGE,BRONZE,.625IDX.
83	CW-22240	2	WHEEL,80MM DIA X 32MM W
84	HS-60022	2	BOLT,3-8X2.25,HXHD CAP,BLK ZN,
85	HX-22247	2	BUSHING,SPANNER,.500 OD X 1.5i
86	HN-60064	2	NUT JAM 3-8IN.-16 BLK ZN
87	FM-25595	1	SHAFT,ELEVATION UPPER
101	PKMR-23291	1	Kit,ElevationMotor 115v,625T/7
111	PKMR-23292	1	Kit,ElevationMotor 220v,625T/7
130	HX-25594	2	RING RETAINING EXT,3-8 IN SHAF
131	FM-24429	1	SHAFT,ELEVATION,LOWER

625T Planet Fitness



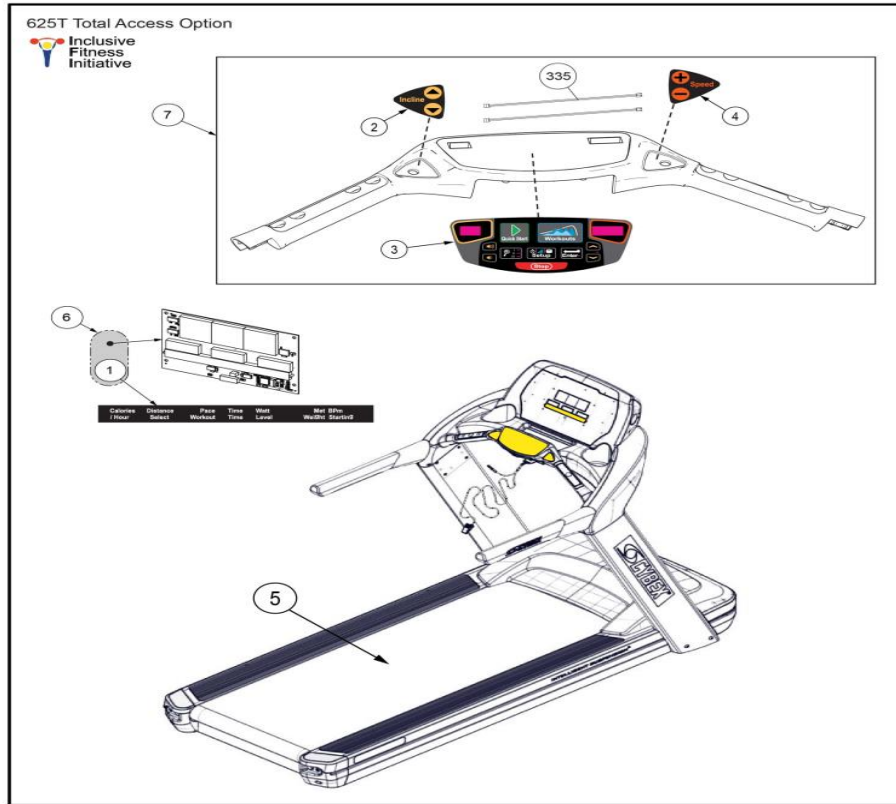
Ref #	Part Number	Qty	Description
1	KPL-24899-PF4	1	KIT,PF,HANDSET W-KEYPAD,625T
2	SW-22545	1	MEMBRANE,THUMB CONTROL,LEFT,IN
3	SW-22388	1	MEMBRANE,THUMB CONTROL,RIGHT,S
4	DE-24645	1	DECAL,UPRIGHT LEFT,PF
5	DE-24644	1	DECAL,UPRIGHT RIGHT,PF
6	AX-24837	1	ASSY,UPRIGHT,LEFT,PF
7	AX-24838	1	ASSY,UPRIGHT,RIGHT,PF
8	DE-24355	1	LABEL,OVAL,MOTOR COVER,PF
9	AX-24839	1	KIT,HOOD,UPPER,PF
10	DE-24608-4	1	MEMBRANE,PF 625T,UPPER DISPLAY
11	PL-22554	1	CONSOLE FRONT,LED NO FAN
12	PKPL-24898-PF4	1	KIT,BEZEL W-DECAL PLANET FIT 4
13	Z-02PF1T	1	DECAL,PF,CONSOLE,625T BLACK
14	Z-02PF2T	1	DECAL,PF,CONSOLE,625T PINK
15	Z-02PF3T	1	DECAL,PF,CONSOLE,625T PURPLE
335	770A-365	2	CABLE,THUMB CONTROLS

625T Snap Fitness



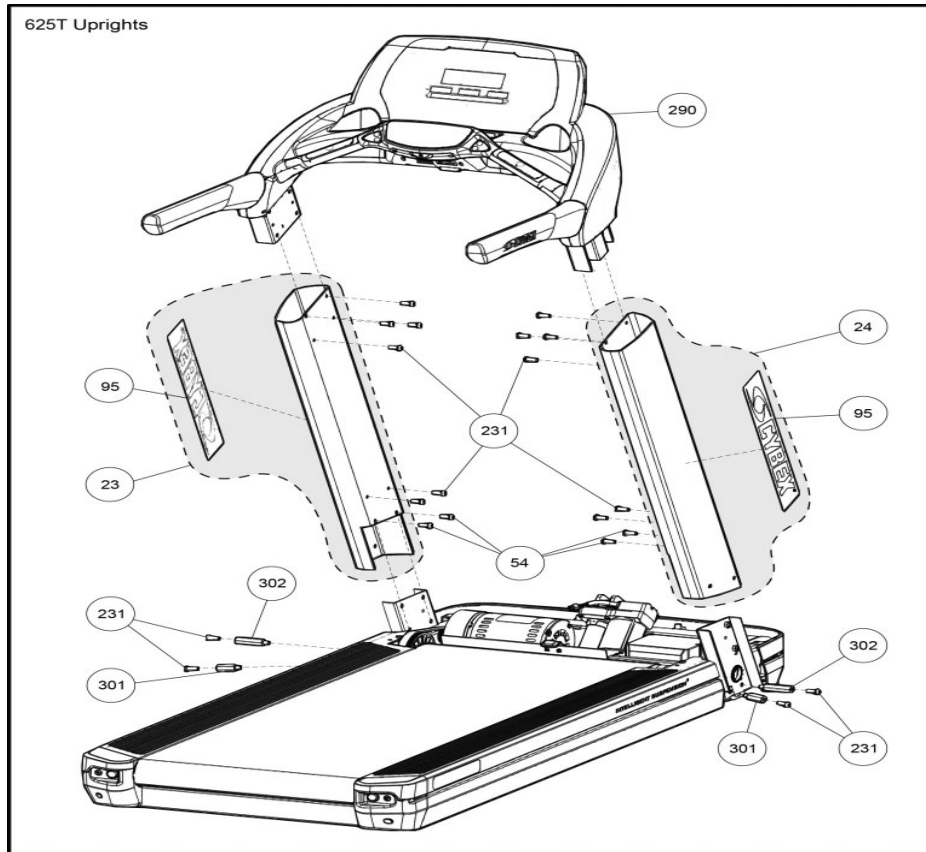
Ref #	Part Number	Qty	Description
1	DE-25126	2	LABEL,CYBEX,FOR SNAP,UPRIGHT TUBE,625T
K1	AX-25154	1	ASSY,UPRIGHT,LEFT,SNAP FITNESS
2	DE-25125	2	LABEL,SNAP FITNESS,SIDE PANEL,
K2	AX-25155	1	ASSY,UPRIGHT,RIGHT,SNAP FITNES

625T Total Access Option (After F09)



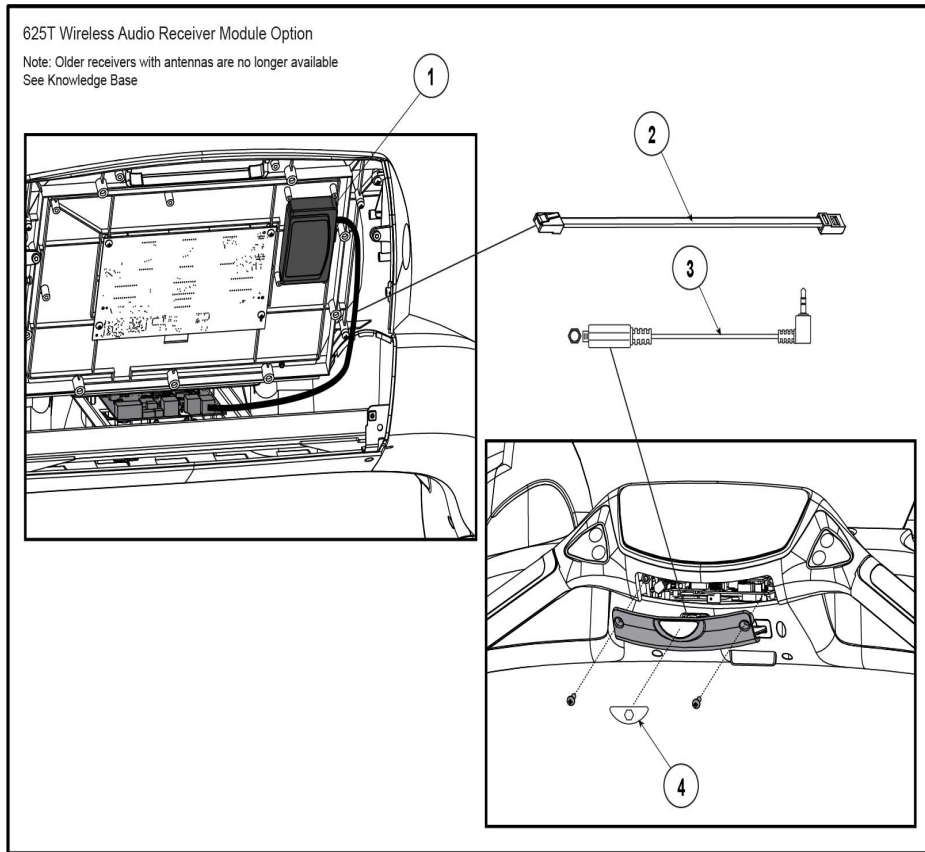
Ref #	Part Number	Qty	Description
1	DE-23943-4	1	LABEL,ENUNCIATOR,625T, IFI
2	SW-23949-4	1	SWITCH,THUMB LEFT INCLINE,625T
3	SW-23945-4	1	MEMBRANE,HANDSET,625 IFI
4	SW-23950-4	1	SWITCH,THUMB RIGHT SPEED,625T
5	BD-23942	1	BELT,RUNNING,IFI,60" SYNTHETIC
6	KAD-24861-4	1	KIT,PCA DISPLAY W-ENUNCIATOR,625T IFI
7	KPL-24859-4	1	KIT,HANDSET W-MEMBRANES,625T,IFI
335	770A-365	2	CABLE,THUMB CONTROLS

625T Upright (After F09)



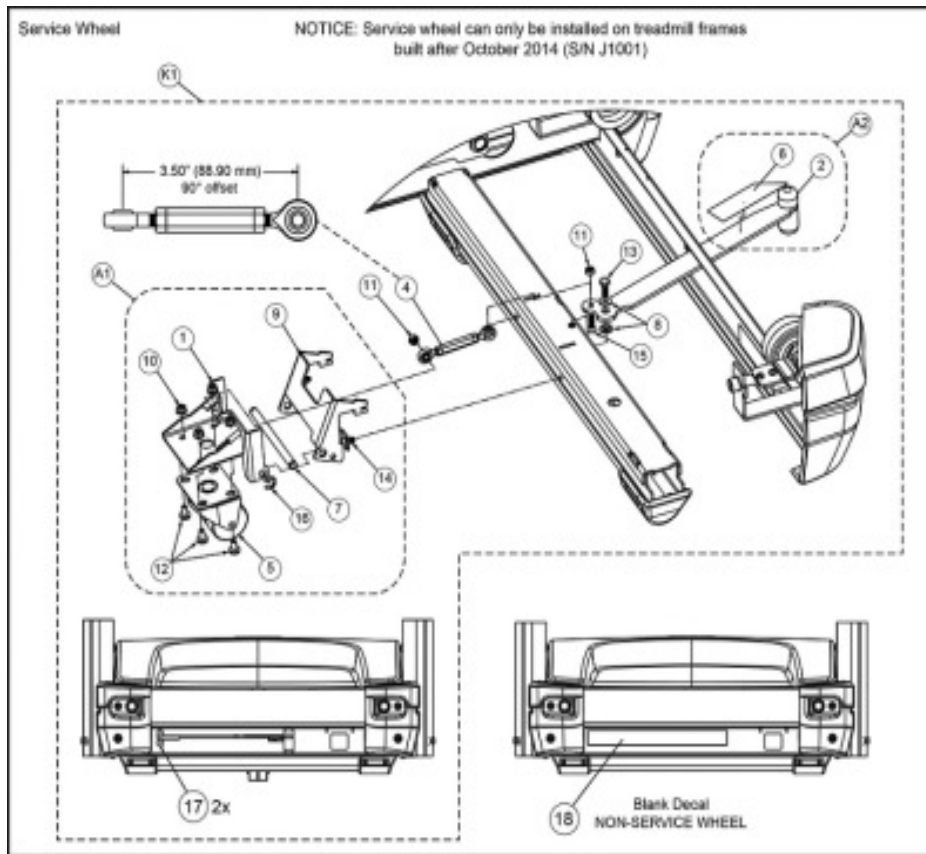
Ref #	Part Number	Qty	Description
23	AX-23009	1	ASSY, UPRIGHT, LEFT Custom
24	AX-23010	1	ASSY, UPRIGHT, RIGHT Custom
54	HS-16929	4	BOLT WHIZ LCK, 3-8-16X.625, HXHD
95	DE-23249	2	DECAL, CYBEX, COOL GRAY
231	HS-22651	10	BOLT, 3-8-16-.75 BHCS, ZN
290	AC-23024	1	*CONSOLE ASSY, 625T BASIC
301	AX-22778	2	STANDOFF, M-F, 3-8-16X1.60, .75H
302	AX-22779	2	STANDOFF, M-F, 3-8-16X 2.59, .75

625T Wireless Audio Option (After F09)



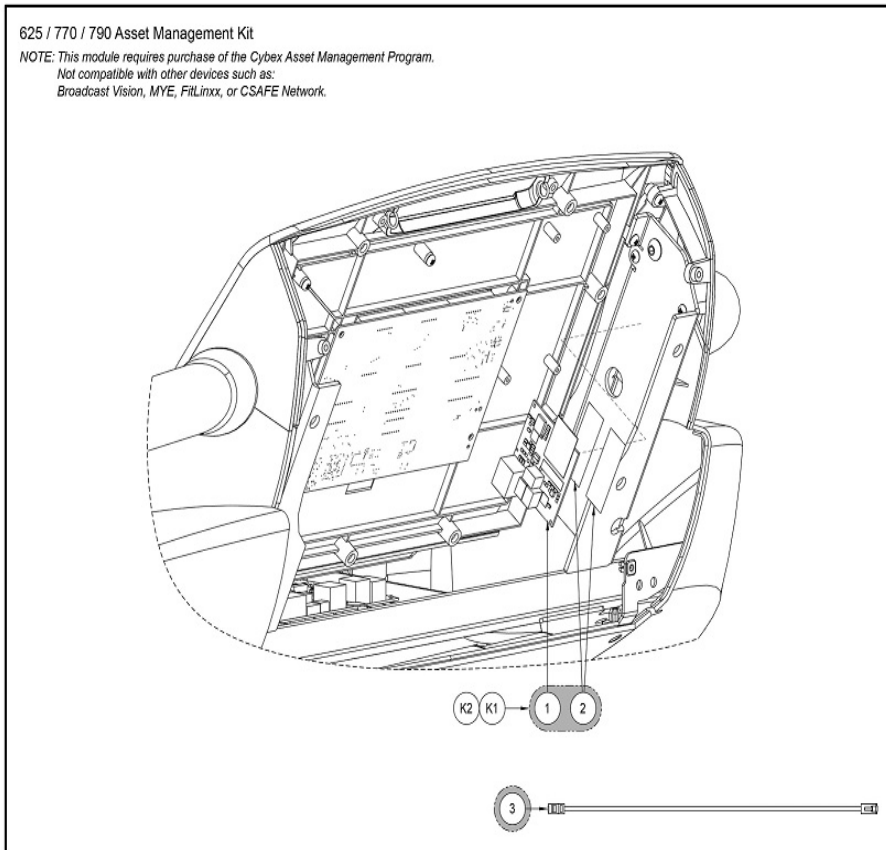
Ref #	Part Number	Qty	Description
1	770A-390	1	MODULE, RF 900 MHZ FM US
2	AW-19404	1	CABLE,CAT5 RJ45 FLAT PATCH 12i
3	AW-22480	1	CABLE,HEADPHONE JACK JUMPER
4	DE-22784	1	DECAL,HEADPHONE JACK,770T

625T 770T Service Wheel



Ref #	Part Number	Qty	Description
K1	KAX-25516	1	KIT,SERVICE WHEEL,625T 770T
A1	AX-25575	1	ASSY,BRKT,SERVICE WHEEL 525T,6
1	AF-24996	1	WELD,BRKT WHEEL MOUNT,525T,625T,770T
2	AF-25002	1	WELD,LEVER,SERVICE WHEEL,625T 770T 790T
A2	AX-25578	1	ASSY,HANDLE,SERVICE WHEEL 625T
4	AX-24987	1	ASSY,ROD END,SERVICE WHEEL
5	CW-25006	1	CASTOR,SWIVEL,SERVICE WHEEL
6	DE-25047-4	1	DECAL,PROTECTIVE,SLIDE LEVER,E
7	FM-24997	1	PIN,BRKT,3RD WHEEL
8	FM-24999	2	SPACER,PIVOT
9	FS-24994	1	BRKT,FRAME PIVOT,SERVICE WHEEL
10	HN-12079	4	KEPS 1-4-20 HEX STL ZINC
11	HN-25189	2	NUT,NYLOCK M6X1,YELLOW ZN
12	HS-16875	4	BOLT SEMS,1-4-20X.5,PNHD PHIL,
13	HS-25017	1	BOLT,1-4X20X3-4,HXHD STL ZN GR
14	HS-25020	1	SCREW,TT,1-4X-20X1-2" PNHD PHI
15	HS-25111	1	SCREW,M6X1-22MM,FLHD,SOC CAP,S
16	HX-24689	2	RETAINING RING,3-8 SHAFT,E TYP
17	HX-25018	2	BUMPER,RUBBER,ROUND PUSH-IN
18	DE-25046	1	DECAL,REAR ROLLER GUARD

625T 770T 790T Asset Management Kit



Ref #	Part Number	Qty	Description
1	AD-25136	1	NLA: PCA,ELECT IMP AWM,SLDR MOD,US
1	AD-25138	1	PCA,ELECT IMP AWM,SLDR MOD,EU
K1	KU-25238	1	UPGRADE KIT,AWM,IMP, 525 625 7
2	HX-25109	2	TAPE,DBL SIDED,VHB,1.0X.25X.12
K2	KU-25239	1	UPGRADE KIT,AWM,IMP, 525 625 7
3	AW-23501	1	CABLE,CAT5E 18in

