

Cybex 700T Treadmill Owner's Manual

To exit the diagnostic test mode, press **STOP** to return the treadmill to its previous state.

NOTE: If you were in the middle of a program before entering the Diagnostic Test Mode, you will be returned to the exact spot in the program where you left off. The speed, elevation, and time will all return to where they were prior to entering the diagnostic test mode. You will not lose any information and the elapsed time will not have changed.

Parts List

ITEM NO.	QTY.	PART NO.	DESCRIPTION
1	1	SK-15487	Frame Assembly Kit <P12
1	1	AF-14105	Frame Assembly, Stable Flex
2	1	SK-15414	Rail, Side Right
3	1	SK-15415	Rail, Side Left
4	1	PL-12978	Cover, Right End Cap (Or W/Bracket, AX-14599)
4	1	AX-14599	Cover, Right End Cap With Bracket
5	1	PL-12977	Cover, Left End Cap (Or With Bracket, AX-14598)
5	1	AX-14599	Cover, Right End Cap With Bracket
6	2	AF-13462	Bracket, End Cap
7	4	HS-11328	Screw, SEMS 10-32 x 0.38 PNHD Phillips INT
8	20	HS-00163	Bolt, 5-16-18 x 0.75 SCHD BTN, (Console and Support)
9	16	HW-15401	Washer
10	2	HS-13769	Bolt, 1/2-13 x 2.5" B-Zinc, Rear Foot Mount
11	2	HW-11427	Washer, .593 x 2.0 OD Zinc, Rear Foot Mount
12	2	FM-14258	Tube Wheel Bearing
13	2	PL-14167	Wheel 3.0" O.D. x 1.0" Wide, Rear Foot
14	2	AF-14903	U Channel
15	2	HX-15111	Tape, Double Sided, (For U Channel)
16	2	HX-14909	Rubber Mount, Stableflex 60 lbs. 1.0" Ht
17	9	HN-10001	Nut, Lock 1-4-20 Ring Nylon
18	2	HX-14908	Rubber Mounting, Stableflex 1.0" Ht (Front)
19	1	ET-14366	Terminal Ground Tab
20	1	HS-12318	Screw, Type F 6-32 x .50 PHPNHD
21	9	HN-11925	KEPS 10-32 Hex Head STL Zinc
22	1	AX-15037	Choke/Conn. Kit, 230V
22	1	AX-14929	Choke/Conn. Kit, 115V
23	2	AF-14414	Transport Wheel, Single
24	2	HS-00261	Bolt, 1/2-13 x 5.5", Hex, Rear Roller Adjusting
25	2	HB-00188	Thrust Bearing 1-2" NO. TB812
26	6	HW-10028	Washer, B 1-2 Narrow Zinc
27	2	HX-11049	Spring, 1"O.D. Rear Roller Tensioning
28	1	AL-10975	Roller, Rear
29	2	HN-10029	Nut, 1/2-13, Zinc, Rear Foot Mounting
30	3	HW-00590	Bushing, 1/2" Nylon, Rear Roller Bolt
31	2	HX-13771	Ring Retainer 5-8" .579 FR.ID
32	9	HS-12295	Bolt, 1/4-20 x 1.75" Hex Head, Deck Mounting
33	13	HW-00180	Washer, 1/4" Lock, Deck Mounting
34	10	HX-14956	Disk Guide, Deck Edge
35	1	FM-14960	Flex Deck Indicator

Continued on next page

7 Service

Service Instruction	7-1
Motor Brushes	7-1
Motor Current & Voltage	7-4
Running Belt & Deck	7-7
Drive Belt	7-9
Front Roller	7-9
Rear Roller	7-10
Error Codes	7-11
Diagnostic Tests	7-14
Parts List	7-21
Exploded View	7-25
700T Schematic	7-26

Cybox 700T Treadmill Owner's Manual

ITEM NO.	QTY.	PART NO.	DESCRIPTION	ITEM NO.	QTY.	PART NO.	DESCRIPTION
36	1	HS-14969	Screw, (For Flex Deck)	92	1	DE-15297	Decal, Console Cable Exit
37	1	BD-14072	Belt, Drive, Poly - V, 280J10			115V/230V	
38	1	AL-10980	Front Roller	93	1	AF-14108	Upright, Right
39	3	HS-13759	Screw, Tap 5-16-18 x 1.50 Hex Head	94	1	AF-14107	Upright, Left
40	3	HW-00165	Washer, Lock EX 5-16 Zinc	95	1	FT-14057	Console Crossrail
41	4	HW-00189	Washer, Flat, 5/16	96	1	AF-15623	Front Panel
42	13	HN-11136	Nut, 5/16-18", Hex Head, KEPS	97	1	SK-15701	Lower Board Kit 230V
43	1	HS-00273	Bolt Hex Head. 5-16-18 x 1"	97	1	SK-15700	Lower Board Kit 115V
44	2	FM-14459	Spring Plate	98	10	HS-11326	Screw (Lower Board Mount)
45	1	HS-10435	Bolt, Tap 3-8-16 x 3" Hex Head	99	5	HN-12959	Nut, Jam 5-16-18 Hex Head Zinc
46	1	HW-11580	Washer, USS 3-8 Zinc	100	1	DE-10288	Label, Belt Caution, Grey
47	1	HB-14015	Belt Tensioner Pulley	101	1	DE-14230	Label, 220V
48	1	HW-00361	Washer Lock EX 3-8 Zinc	101	1	DE-13906	Label, 115V
49	1	HN-00199	Nut, 3-8-16 Hex Head STL Zinc	102	1	SW-10523	On/Off Switch
50	1	FM-14145	Tensioner	103	1	EH-12208	Receptacle, Power Inlet, 20 Amp
51	1	BD-10981	Belt, Running 20.75 x 127.50	104	6	HS-00985	Screw, Type B 8-18 x 0.38 SLFTP
52	1	HS-14202	Bolt, 1-4-28 x .75 Hex Head Zinc	105	1	EH-13905	Clip, Wire, 1/2" Heavy Duty
53	3	HW-10867	Washer, Fender 1-4 x 1.0 x .051	106	1	HS-11977	Screw
54	1	HX-11593	Key, ANSI Square, 3/16 x 1 3/16"	107	1	FS-14898	Cover, Rear Console
55	1	AX-14430	Flywheel With Speed Sensor Disc	108	8	HS-14391	Screw 6-32 x .38 PNHD Phillips SEM
56	1	DE-14260	Speed Sensor Disc Decal For Flywheel	109	1	PL-13507	Console Front
57	1	FS-14140	Speed Sensor Bracket	110	1	DE-15385	Label, Console Set 700T
58	2	HS-11976	Screw, Speed Sensor	111	1	DE-15385	Decal, Console 700T
59	1	AX-14602	Speed Sensor With Cable	112	1	DE-14114	Console Window for 700T
60	1	HN-10717	KEPS 4-40 Hex Head Zinc	113	1	SK-15726	Keypad 700T
61	1	HW-10772	Washer, Flat NO. 4	114	2	HX-10941	Grip, Handrails
62	1	HS-00156	Screw, 4-40 x 0.62 PNHD Phillips	115	2	HX-10942	Plug, Handrail End
63	1	MR-14010	Motor, 2.5 HP, 180V	116	2	HP-00181	Roll Pin 1/8 x 1" (For Handrail End Plug)
63	1	MR-14009	Motor, 2.5 HP, 90	117	1	AF-13175	Handrail Assy., Right
64	2	PD-14471	Pad, Isolation 1.40 x 5.25 x 5mm	118	1	AF-13174	Handrail Assy., Left
65	2	PL-14120	Pad, Vibration, Drive Motor	119	4	HS-11139	Screw, SEMS 10-32 x 1.25 PNHD
66	1	FS-14479	Spacer, Motor Bolt	120	2	HW-13762	Washer
67	1	PD-14470	Pad, Isolator 2.0 x 8.0 x 5-16	121	2	FS-13808	Grounding Clip, Anti-Static
68	1	AF-14148	Drive Motor Strap	122	2	HS-11195	Screw, 4-40 x 0.50 PNHD Phillips
69	1	FM-14086	Pin, Motor Strap	123	1	EC-15052	PCB Assy. Heart Rate Monitor (Salutron)
70	1	AF-14212	Gear Rack, Left, With Slot For Limit Switch	124	1	AF-13509	Overlay Plates 700T
71	1	AF-14213	Gear Rack, Right	125	15	HS-11894	Screw, SEMS 6-32 x 0.25 PNHD Phillips INT
72	2	PL-14121	Block, Elevation Guide	126	8	HW-13656	Washer Flat .187 ID x .875 OD x .06
73	2	PL-14122	Plate, Elevation Guide	127	1	AD-14880	C-Safe Interface Board
74	1	AF-14099	Elevation Motor Shaft Extension	128	2	HX-10613	Dust Ring
75	2	GR-14189	Gear, 12 Tooth	129	2	PL-14920	Handgrip, Lower Contact Heart Rate
76	2	HX-11576	Key Woodruff ANSI 404 1-8 x 1-2	130	2	PL-14919	Handgrip, Upper Contact Heart Rate
77	6	HS-00370	Set Screw 1-4-20 x 1-4"	131	8	HS-10716	Screw, 4-40 x 0.38 PNHD Phillips
78	2	AF-14097	Elevation Frame	132	4	HN-15130	Nut, Lock 5-16-18 NTE Series
79	1	AW-14457	Limit Switch Assembly w/Bracket and Cable	133	2	HN-11585	Nut, 6-32 Nylok Hex Head Steel Zinc
80	1	HN-10003	Nut, For Motor Strap	134	1	EH-13468	Clip, Console
81	1	AF-14161	Bracket, For Tensioner	135	2	HS-11140	Screw, SEMS 6-32 x 0.38 PNHD Phillips
82	1	SK-16230	Elevation Motor 230V	136	1	SK-15122	Kit, Crossrail With Polar and Contact Heart Rate
82	1	SK-15161	Elevation Motor 115V	137	1	AX-14429	Kit, Crossrail With Polar Heart Rate Only
83	3	HS-11485	Screw, 10-32 x 0.38 Hex Head Zinc	138	1	DE-14486	Serial Number
84	2	HS-12125	Bolt, 5-16-18 x 2.75 Hex Head GR5 ZN	139	1	DK-10953	Deck, Running
85	2	HS-00194	Bolt, Hex Head .312-18 x 1.75"	NS	1	EC-15125	E-Prom, V3.15, 700T 230V (C-Safe)
86	8	HS-14255	Screw, 5-16-18 x 2.0 SCHD Steel	NS	1	EC-15124	E-Prom, V3.15, 700T 115V (C-Safe)
87	2	HX-14416	Clip, Wire Latching, U Shaped	NS	1	AD-14000	Control PCB (For All 700T, Without E-prom)
88	1	AF-14030	Plate, Front Panel, Aluminum				
89	4	HX-14416	Clip, Wire Latching, Grey Plastic				
90	1	PL-13000	Cover, Motor				
91	2	HS-00700	Screw, Motor Cover				

Continued on next page

Cybex 700T Treadmill Owner's Manual

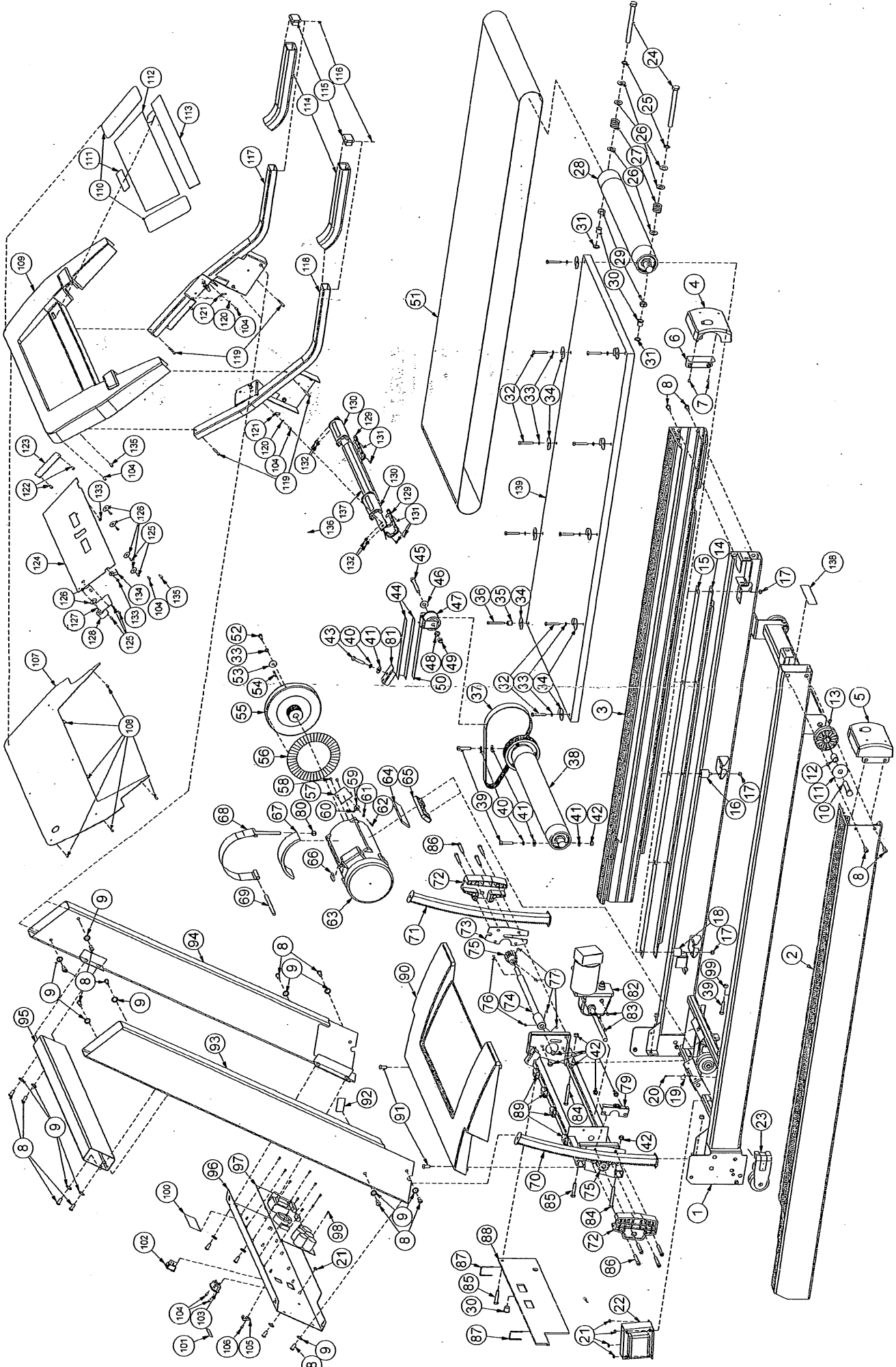
ITEM NO.	QTY.	PART NO.	DESCRIPTION
NS	1	HX-13607	Mount HR Block
NS	1	AX-14429	Grip, Crossrail, For Contact HR, Kit
NS	1	EH-00472	Wire Tie TY-23M
NS	1	SK-15892	Brush Kit, 230V 50Hz (Includes Two Brushes)
NS	1	SK-15891	Brush Kit, 115V 60Hz (Includes Two Brushes)
NS	1	EC-15125	E-Prom, V3.15, 700T 230V (C-Safe) >P09
NS	1	EC-15124	E-Prom, V3.15, 700T 115V (C-Safe) >P09
NS	1	EC-15052	PCB Assy. Heart Rate Monitor (Salutron)
NS	1	LT-14463	Owner's Manual, 700T
NS	1	EF-14340	Fuse, 15 Amp Slo-Blo, 220V (On Lower Board)
NS	1	EF-14339	Fuse, 5 Amp, Elevation, 115V & 220V (On Lower Board)
NS	1	WR-13966	Cord, Power, 12 ft., 230V, 60Hz, Right Angle
NS	1	WR-13965	Cord, Power, 12 ft., 220V, 50Hz, Right Angle, International, Round Prongs
NS	1	WR-13964	Cord, Power, 12 ft., 115V, Right Angle
NS	1	EF-12367	Fuse, 20 Amp Slo-Blo 115V
NS	1	FM-11428	Insert, Alum, Rear Foot Mounting
NS	1	EH-10637	Strain Relief
NS	1	HX-10300-2	Brush Cap, Drive Motor
NS	1	EH-00986	Tie Wire T B TYB-25M
NS	1	EH-00670	Nut, Yellow Wire, #74-B
NS	1	EH-00472	Wire Tie TY-23M

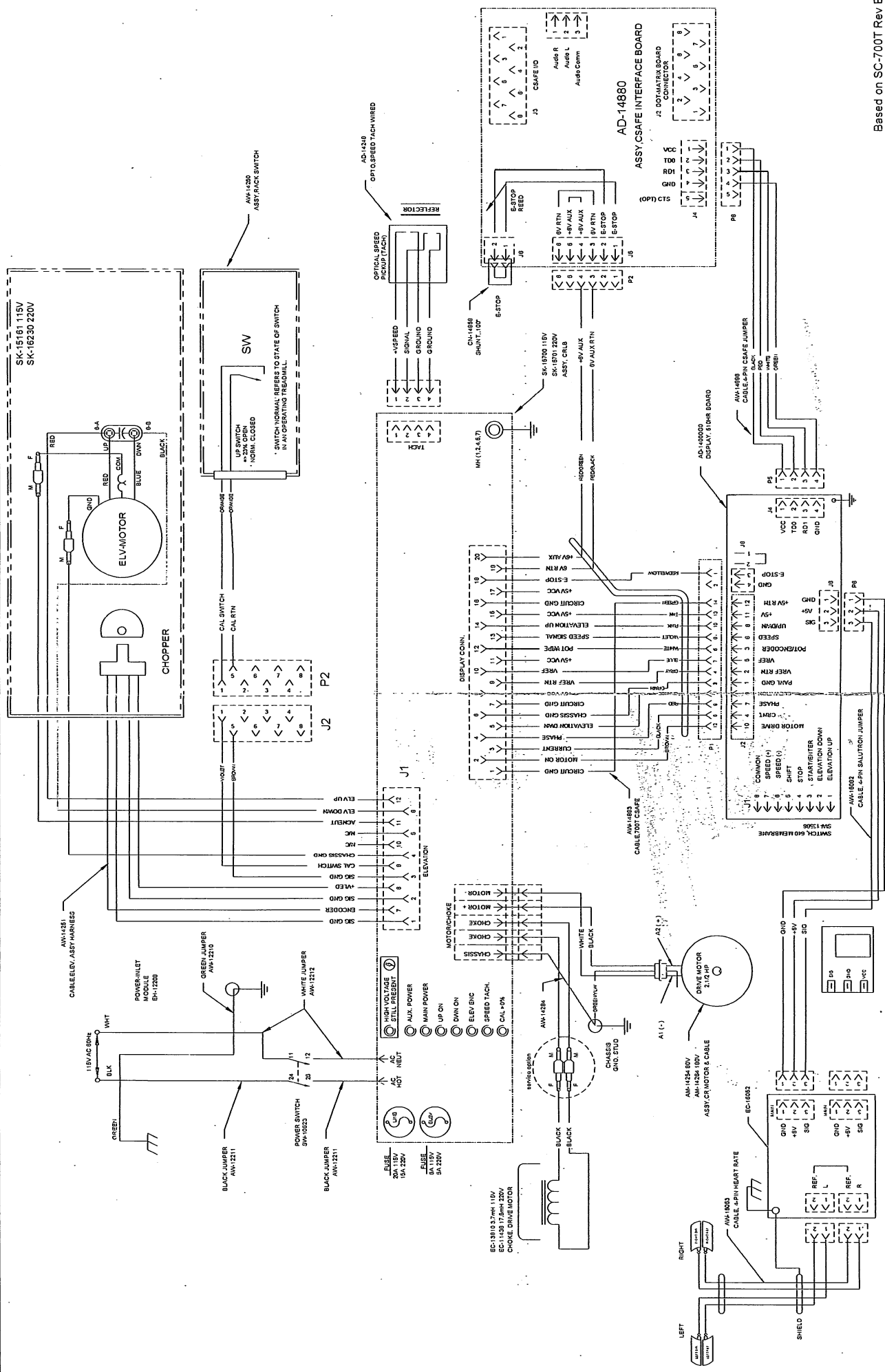
NS = Not Shown

7 Service

Service Instruction	7-1
Motor Brushes	7-1
Motor Current & Voltage	7-4
Running Belt & Deck	7-7
Drive Belt	7-9
Front Roller	7-9
Rear Roller	7-10
Error Codes	7-11
Diagnostic Tests	7-14
Parts List	7-21
Exploded View	7-25
700T Schematic	7-26

Cyber 700T Treadmill Owner's Manual





Based on SC-700T Rev E

Cyberx 700T Treadmill Owner's Mar