

# TREADMILL, 750T,BLUE

750T-02

## Parts Manual

1/5/2019 5:18:01 AM



**Table of Contents**

---

<a href="#">750T Service Kits (C0601 to C1201)</a> .....	3
<a href="#">751T Belt Deck Rollers</a> .....	4
<a href="#">751T Console AV (C0601 to D0401)</a> .....	6
<a href="#">751T Controller Assembly</a> .....	8
<a href="#">751T Frame (Before D0507)</a> .....	10
<a href="#">751T Motors (Before D0507)</a> .....	12
<a href="#">751T Total Access Option</a> .....	13
<a href="#">751T Upright Assembly</a> .....	14
<a href="#">751T console (C0601 to D0401)</a> .....	15

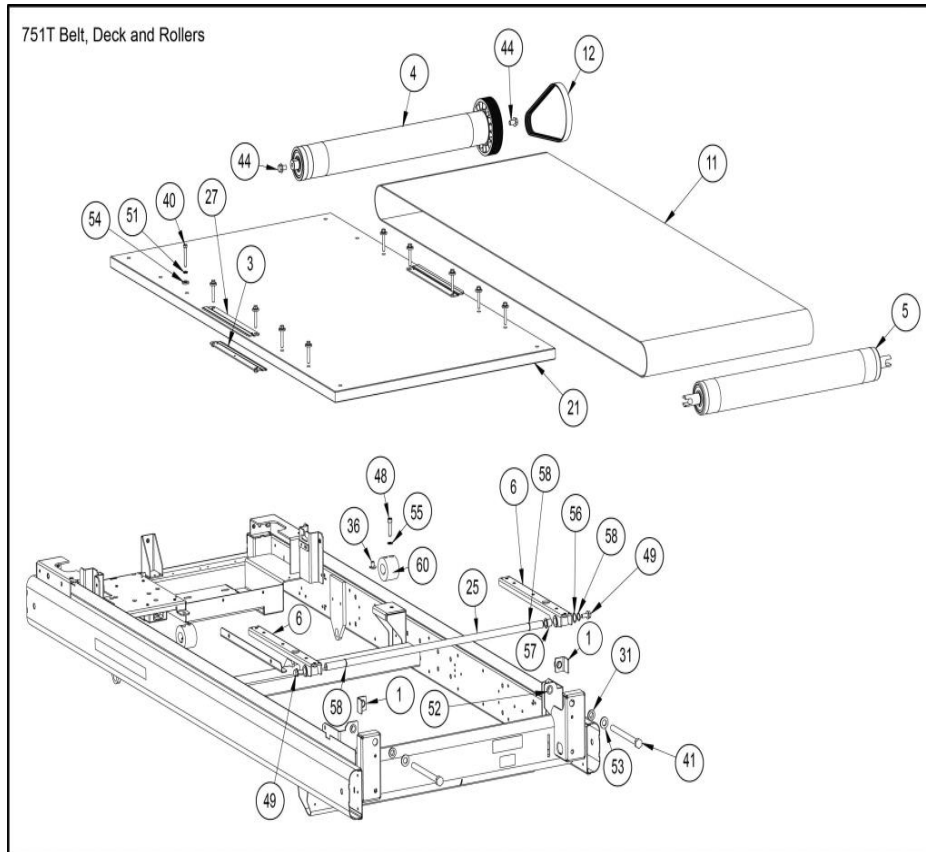
## 750T Service Kits (C0601 to C1201)

---



Ref #	Part Number	Qty	Description
300	AC-21401	1	CONSOLE ASSY,751T
346	KSW-21661	1	Kit,750T Stop Switch
415	KMR-20824	1	KIT,W-AV CONTROL W-SWITCH MEMB
-	KCP-21286	1	SERVICE KIT,MONITOR MOUNTING H
-	SK-17367	1	SERVICE KIT,ADAPTER & CABLE,FL
-	KHX-21337	1	KIT,MOLDED BOTTLE STABILIZER I
-	KMR-20818	1	KIT,FAN REPLACEMENT,PCB MOTOR
-	KAW-20820	1	KIT,C-HR REPLACEMENT CONTACT G

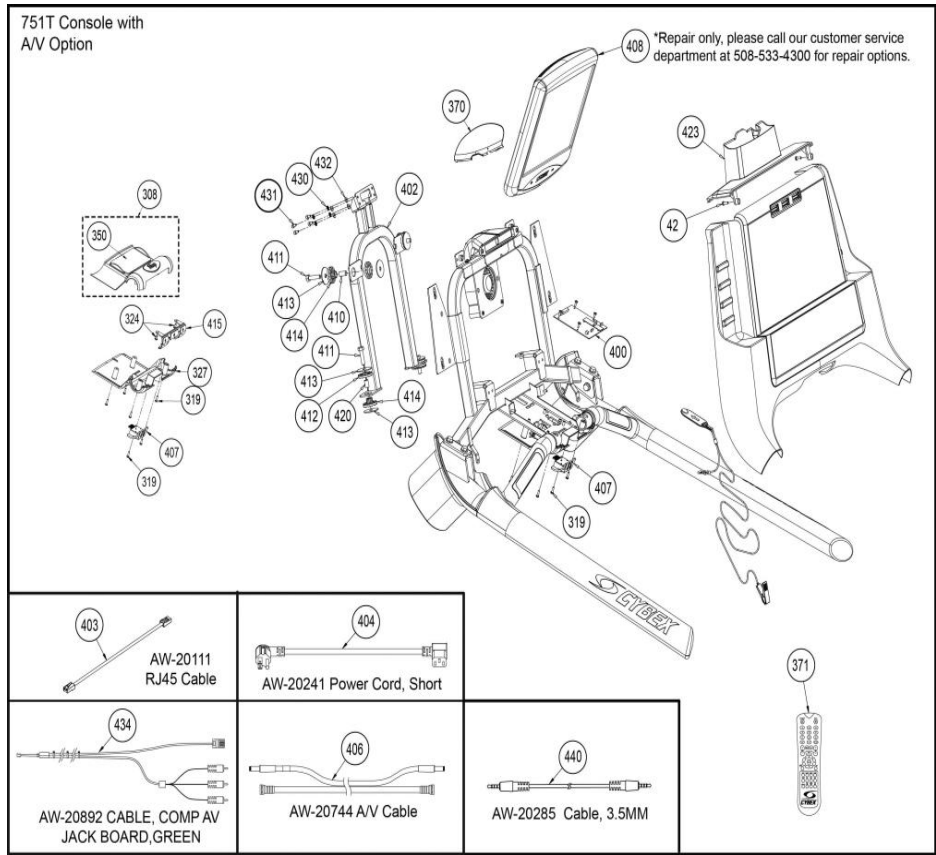
## 751T Belt Deck Rollers



Ref #	Part Number	Qty	Description
1	AF-19988	1	NUT,ROLLER,REAR FRONT,7XXT
3	AF-20206	1	CLAMP,LOWER, TOP STEP,7XXT
4	AL-19740	1	ROLLER ASSY,FRONT,7XXT
5	AL-19741	1	ROLLER ASSY,REAR,7XXT
6	AX-20035	1	ASSY,DECK PIVOT BRACKET
11	BD-19889	1	BELT,RUNNING,21.88X61.75
12	BD-20049	1	BELT,DRIVE 8PJ637 EJ161
21	ODK-20024	1	DECK,RUNNING, 29.00 X 53.05
25	FM-20099	1	SHAFT,DECK PIVOT,7XXT
27	FS-20031	1	PLATE,RETAINER,UPPER, TOP STEP,
31	HB-16367	2	BUSHING .50IDX.62ODX.31LG,FLAN
36	HN-20041	2	NUT,1-4-20 PROPELLER .305 OD
40	HS-12295	8	BOLT,1-4-20X1.75,HXHD,G5,ZN
41	HS-15480	2	BOLT TAP,1-2-13X6,HXHD,G5
44	HS-16929	2	BOLT WHIZ LCK,3-8-16X.625,HXHD
47	HS-17937	1	BOLT,3-8-24X2.75,HXHD CAP,G8,Y
48	HS-18358	2	BOLT,5-16-18X.1.25,SCHD CAP,BL
49	HS-19108	1	SCREW 5-16-18X3-4LG,HXHD,WHIZ-
51	HW-00180	8	WSHR LOCK SPLIT 1-4,SST,BLK PASSIVATE
52	HW-00590	1	BUSHING,NYLON,1-2 in
53	HW-10028	2	WSHR B 1-2 NARROW ZINC
54	HW-18123	8	WSHR,.344IDX.75 ODX.125THK,HAR

Ref #	Part Number	Qty	Description
55	HW-20044	2	WSHR,BELLEVILLE,15X8.2X1.0MM,.
56	HW-20089	1	WASHER,WAVE, .650ID X .855 OD
57	HB-18768	1	BEARING,IGUS LF-1011-12
58	HX-13771	1	RING,RETAIN,5-8" .579 FR.ID
60	HX-19991	2	BUMPER,SPRING DECK,2.10X2.34X1

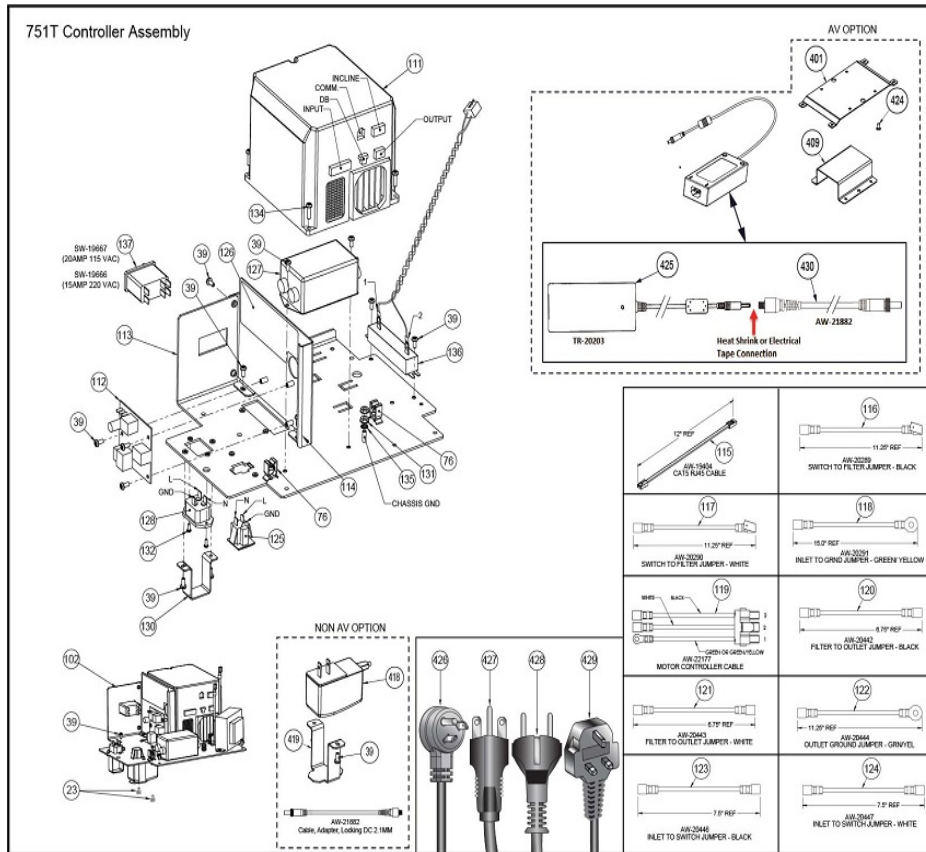
**751T Console AV (C0601 to D0401)**



Ref #	Part Number	Qty	Description
42	HS-15706	1	SCREW,8-16X.50,PNHD,STL,BLK ZN CLR,TYP WB
308	KSW-21661	1	Kit,750T Stop Switch
309	AX-24103	1	ASSY,LANYARD,ESTOP KEY
314	EC-19974	1	SENSOR,IR MOTION 20 TO 150CM
316	HS-10716	4	SCREW,4-40X0.38,PNHD PHIL
319	HS-18320	4	SCREW,6-19X1-2 in,PNHD PHIL,ZN
324	HS-41187	4	SCREW SLFTP,8-16X.3125,PLASTITE
326	PL-20143	1	HOUSING,E-STOP
327	PL-20183	1	COVER,HANDSET,BACK
347	HS-20553	1	SCREW,4X3-8,SLFTP,PNHD,PHIL,ZN
350	DE-20735	1	Decal, Warning, 7XXT,
370	PL-20746	1	COVER,REMOVABLE,CYBEX MONITOR
371	CP-20988	1	NLA: REMOTE CONTROL,DIGITAL
400	AD-19691	1	PCA, HANDSET AV
402	AF-20286	1	WELDMENT,PERSONAL SCREEN FRAME
403	AW-20111	1	CABLE,5E BONDED PAIR RJ45 ROUN
404	AW-20241	1	POWER CORD,IEC NEMA 5-15 SHORT
406	AW-20744	1	CABLE,2.1MM F-F AV COAX
407	AX-20187	1	ASSY,HANDSET AUDIO JACK,REPLAC
408	RACP-20794	1	MONITOR,CYBEX 15.42",LCD,ATSC-NTSC
410	FT-20366	1	TUBE,SPACER, .375 DIA .028 WAL
411	HS-00417	1	BOLT,5-16-18X1.25,HXHD

Ref #	Part Number	Qty	Description
412	HX-20778	1	RING MOUNT,VIBRATION ISOLATOR
413	HW-20779	1	WASHER,FLAT 1.44X.325X.06THK S
414	HX-20782	1	BUSHING,T-TYPE,VIBRATION ISOLA
415	KMR-20824	1	KIT,W-AV CONTROL W-SWITCH MEMB
420	PL-20777	1	SPACER,LOWER MOUNT,PERSONAL SC
423	PL-20209	1	CONSOLE, TOP CAP W-AV
430	HW-21285	1	WASHER,SPLIT LOCK M4,STEEL ZN
431	HS-20731	1	SCREW,M4X10,SCHD,STL,BLK,HEAT
432	HW-20214	1	WASHER,FLAT,M4
434	AW-20892	1	CABLE, COMP AV JACK BOARD, GREEN
440	AW-20285	1	CABLE,3.5MM AV 1:1

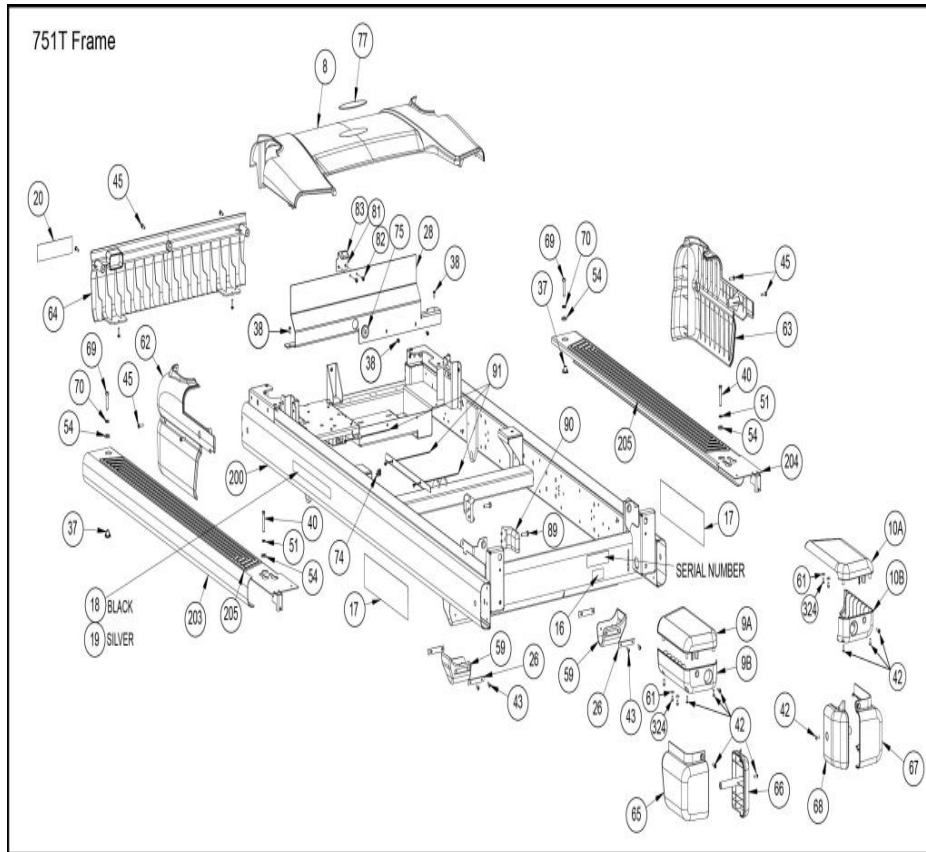
### 751T Controller Assembly



Ref #	Part Number	Qty	Description
23	EH-10291	1	TY WRAP BASE
39	HS-11977	4	SCREW SEMS,8-32X.38,PNHD PHIL,EXT,STL,BLK ZN
76	EH-20244	1	*CLIP,WIRE RETAINER,.24-.47"DI
102	AX-20236	1	NLA: SUB ASSY,7XXT 220V CONTROLLER
102	AX-20237	1	SUB ASSY,7XXT 230V 50HZ CONTRO
102	AX-20235	1	NLA: SUB ASSY,7XXT 110V CONTROLLER
111	KAD-23125	1	Kit, PCA Drive 7XXT, 115v
111	PKAD-22222	1	KIT,230V TM5 GOLD PLATED REPLA
112	AD-21879	1	PCA,HUB BOARD,LOCKING
113	AF-20123	1	PLATE,SWITCHES,7XXT
114	AF-20234	1	BRACKET,CONTROLLER PCB,7XXT
115	AW-19404	1	CABLE,CAT5 RJ45 FLAT PATCH 12i
116	AW-20289	1	WIRE,INLET TO SWITCH FILTER JU
117	AW-20290	1	WIRE,SWITCH TO FILTER JUMPER,W
118	AW-20291	1	WIRE,INLET TO GRND JUMPER,GREE
119	AW-22177	1	CABLE,MOTOR CONTROLLER, AU PLA
120	AW-20442	1	WIRE,FILTER TO OUTLET JUMPER,B
121	AW-20443	1	WIRE,FILTER TO OUTLET JUMPER,W
122	AW-20444	1	WIRE,OUTLET GRND JUPER,GREEN-Y
123	AW-20446	1	WIRE,INLET TO SWITCH JUMPER,BL
124	AW-20447	1	WIRE,INLET TO SWITCH JUMPER,WH
125	CN-20252	1	PLUG,NEMA 5-15R,SNAP FIT,FLUSH

Ref #	Part Number	Qty	Description
126	DE-20558	1	LABEL,HUB BOARD
127	EC-18896	1	FILTER,16A
128	EH-12208	1	INLET IEC 320 16-20 AMP
130	FS-20232	1	BRKT,POWER CORD RETAINER,7XXT
131	HN-11925	1	KEPS,10-32 HEX STL ZN
132	HS-10405	1	SCREW,4-40X.25,PNHD PHIL
134	HS-15732	1	SCREW SEMS,8-32UNCX.62,PNHD PHIL,ZN
135	HW-10856	1	WSHR,LOCK EXT NO10 ZC
136	RE-23040	1	RESISTOR,TM5 DYNAMIC BRAKE,7.5
137	SW-19666	1	SWITCH,THERMAL CB,15AMP 240V,R
137	SW-19667	1	SWITCH,THERMAL CB,20AMP 240V,R
401	AF-20137	1	BRKT,AV POWER SUPPLY, 7XXT
409	FS-20300	1	STRAP,AV POWER SUPPLY
418	TR-21881	1	POWER SUPPLY,12V FAN LOCKING D
419	FS-20233	1	BRACKET,FAN POWER SUPPLY RETAI
424	HS-11894	1	SCREW SEMS,6-32X.25,PNHD PHIL,
425	TR-20203	1	POWER SUPPLY,12VDC,12-24VAC,6.
426	AW-20280	1	POWER CORD,115V,20A,60HZ
427	AW-20281	1	POWER CORD,220V 15A,60HZ
428	AW-20282	1	POWER CORD,230V,16A,50HZ
429	AW-20283	1	POWER CORD,UK,230V,13A,50HZ
430	AW-21882	1	CABLE,ADAPTER,LOCKING DC 2.1MM

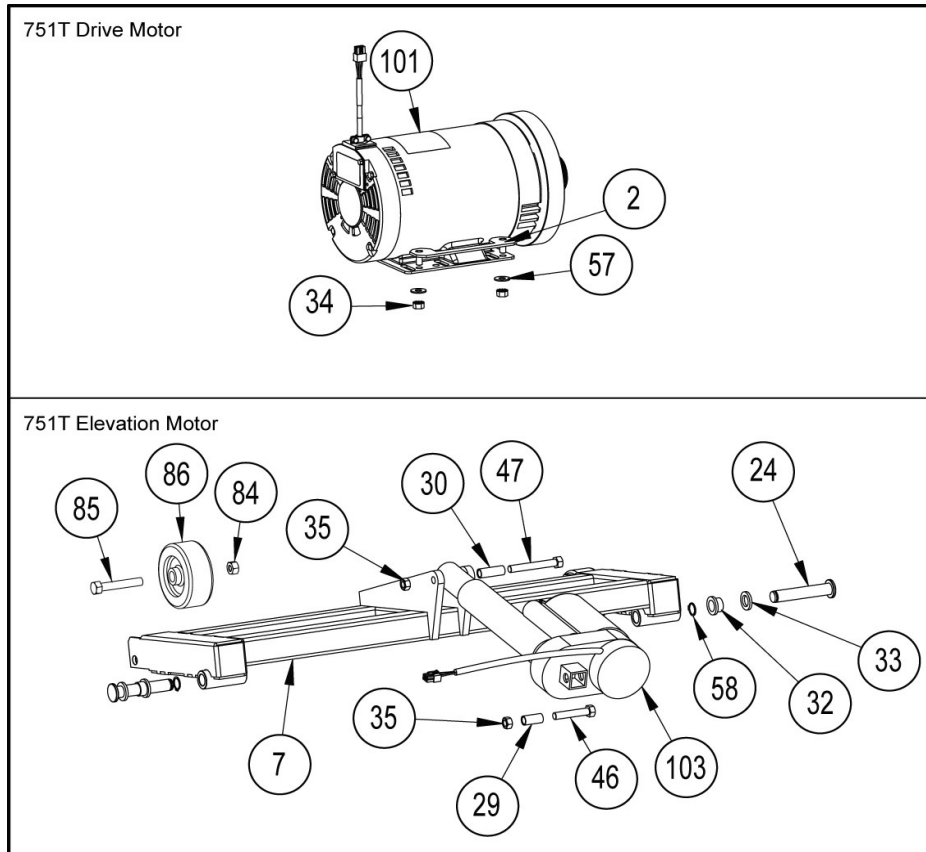
**751T Frame (Before D0507)**



Ref #	Part Number	Qty	Description
8	AX-20383	1	ASSY,MOTOR COVER,7XXT
9B	PL-20267	1	COVER,REAR,TOP STEP LOWER,LEFT
9A	PL-20268	1	COVER,REAR,TOP STEP UPPER,LEFT
10B	PL-20271	1	COVER,REAR,TOP STEP LOWER,RIGHT
10A	PL-20272	1	COVER,REAR,TOP STEP UPPER,RIGHT
16	DE-18413	1	DECAL,ETL AND CSA
17	DE-19360	1	DECAL,CYBEX,BLACK
18	DE-20392	1	NLA: DECAL,750T,BLACK
19	DE-20393	1	NLA: DECAL,750T,SILVER
20	DE-20427	1	LABEL,DISCONNECT POWER W RUSSI
26	FS-16511	4	PLATE,REAR RUBBER FOOT MNT
28	FS-20109	1	SHIELD,SPLASH 7XXT
37	HN-20693	1	NUT,TEE,5-16-18,1-2in BARREL,4
38	HS-11977	4	SCREW SEMS,8-32X.38,PNHD PHIL,EXT,STL,BLK ZN
40	HS-12295	1	BOLT,1-4-20X1.75,HXHD,G5,ZN
42	HS-15706	8	SCREW,8-16X.50,PNHD,STL,BLK ZN CLR,TYP WB
43	HS-16509	8	SCREW SLFTP,10X.5,PNHD,PLT,TYP
45	HS-16939	4	SCREW SEMS,10-32X.75,PNHD,BLK
51	HW-00180	4	WSHR LOCK SPLIT 1-4,SST,BLK PASSIVATE
54	HW-18123	4	WSHR,.344IDX.75 ODX.125THK,HAR
59	HX-16510	2	FOOT,RUBBER,REAR
61	HW-13656	1	WASHER FLAT .187IDX.875ODX.06

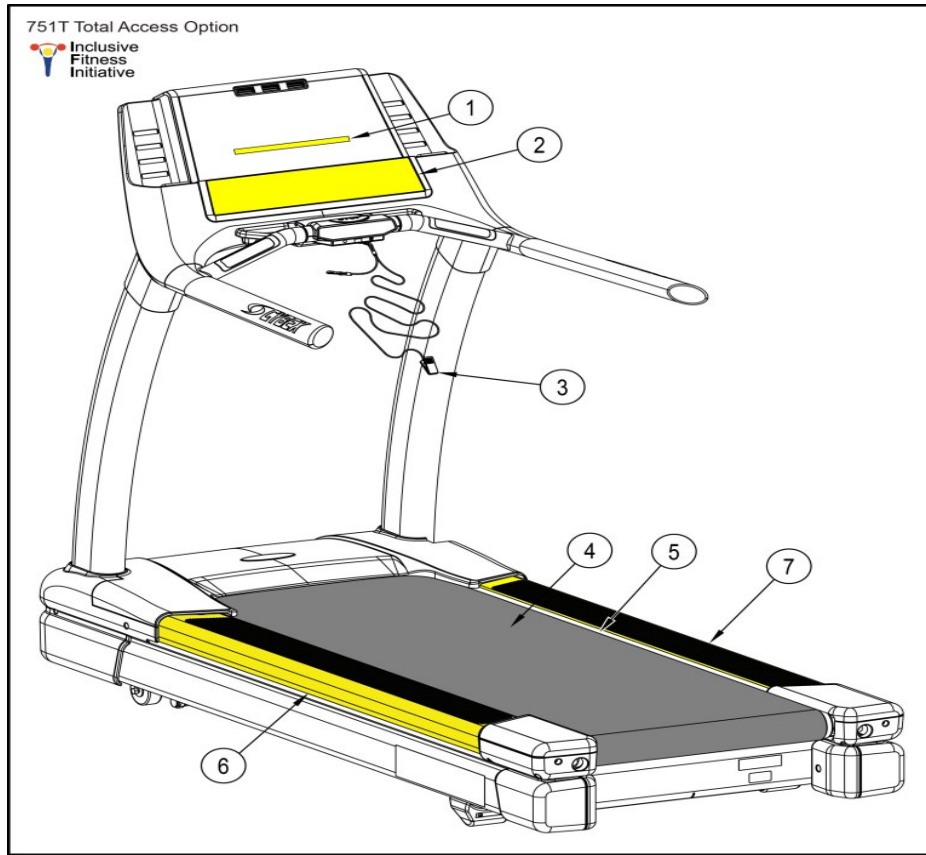
Ref #	Part Number	Qty	Description
62	PL-20262	1	COVER,LEFT SIDE FRONT,7XXT
63	PL-20263	1	COVER,RIGHT SIDE FRONT,7XXT
64	PL-20264	1	COVER,FRONT,7XXT
65	PL-20265	1	COVER,REAR,FRAME OUTER,LEFT
66	PL-20266	1	COVER,REAR,FRAME INNER,LEFT
67	PL-20269	1	COVER,REAR,FRAME OUTER,RIGHT
68	PL-20270	1	COVER,REAR,FRAME INNER,RIGHT
69	HS-41107	4	BOLT,5-16-18X1.5,BTHD,SST,BLK
70	HW-00165	1	WSHR SPLIT LOCK 5-16 ZINC
74	EH-20254	1	CLIP,WIRE RETAINER,.24-.47"DIA
75	HX-20248	1	GROMMET,RUBBER,1.12"DIA
77	DE-19198	1	DECAL,CYBEX LOGO Empire screen
81	AF-20842	1	BRKT,TREADMILL COVER
82	HS-11976	4	SCREW SEMS,10-32X.38,EXT,ZN
83	HX-20843	1	BUMPER, .85 X .64 X .25 THK W-
89	HS-22137	1	BOLT, 1-4-14x1.25,HXHD WSHR,TY
90	PL-22129	1	BRKT,POWER CORD STORAGE,PLASTI
91	EH-00986	1	TY WRAP,T B TYB-25M 9 in
200	AF-19890	1	WELDMENT,FRAME,7XXT Custom
203	AX-20331	1	ASSY,TOP PLATFORM,LEFT
204	AX-20332	1	ASSY,TOP PLATFORM,RIGHT
205	DE-20305	1	DECAL,SAFETY WALK,750T
324	HS-41187	1	SCREW SLFTP,8-16X.3125,PLASTITE

## 751T Motors (Before D0507)



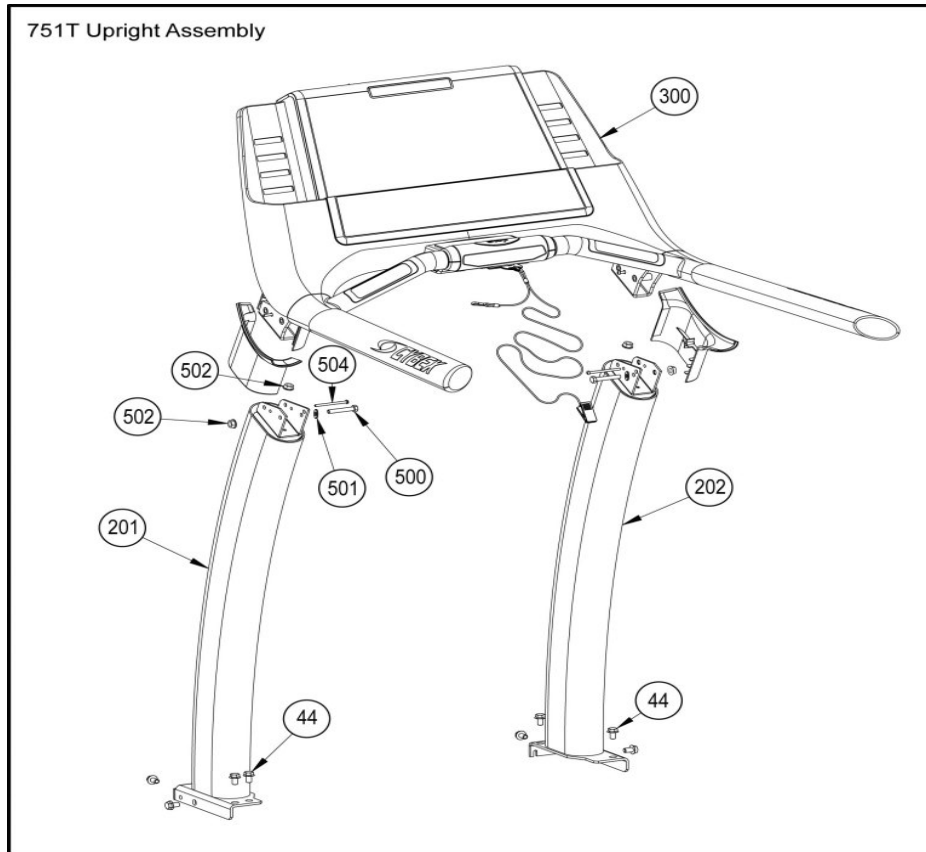
Ref #	Part Number	Qty	Description
2	AF-20052	1	BRKT,MOTOR,MOUNTING,7XXT
7	AX-20094	1	ASSY,ELEVATION,750T
24	FM-20096	2	PIN,ELEVATION PIVOT
29	FT-16825	1	SLEEVE,ELEVATION MOUNTING,TOP
30	FT-16826	1	SLEEVE,ELEVATION MOUNTING,BTM
32	HB-20097	2	BEARING,FLANGE,BRONZE,.625IDX.
33	HB-20098	2	BEARING,THRUST,BRONZE,.623IDX1
34	HN-11136	2	KEPS 5/16-18 HEX STL ZINC
35	HN-17935	1	NUT LOCK,3-8-24,GRD C,STL,ZN
46	HS-17936	1	BOLT,3-8-24X2.0,HXHD CAP,G8,YE
47	HS-17937	1	BOLT,3-8-24X2.75,HXHD CAP,G8,Y
57	HW-53017	2	WSHR FLAT,5-16,SS,BO
58	HX-13771	2	RING,RETAIN,5-8" .579 FR.ID
84	HN-60064	1	NUT JAM 3-8IN.-16 BLK ZN
85	HS-60022	1	BOLT,3-8X2.25,HXHD CAP,BLK ZN,
86	CW-16712	1	WHEEL,3 in DIA X 1.25W,PLAIN B
101	MR-22239	1	MOTOR,AC DRIVE 220V,3HP
103	MR-19992	1	MOTOR,ELEVATION,115VAC 60HZ,7X
103	MR-19993	1	MOTOR,ELEVATION,230VAC 50-60HZ

# 751T Total Access Option



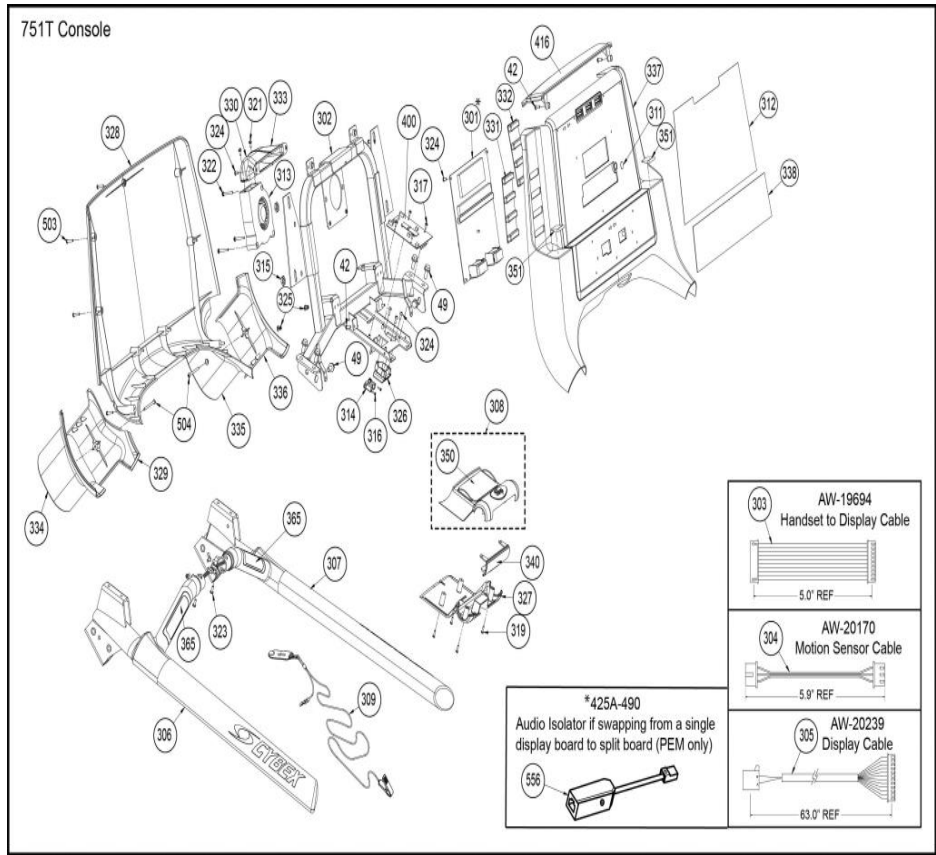
Ref #	Part Number	Qty	Description
1	DE-21936-4	1	MASK,751T,ENUNCIATOR,IFI,ENG
2	SW-21893-4	1	MEMBRANE,751T,BTM,ENG,IFI
3	AX-24103	1	ASSY,LANYARD,ESTOP KEY
4	BD-20691	1	BELT,RUNNING,IFI,21.88X61.75
5	DK-20692	1	DECK,RUNNING,IFI,29X53.50X1.02
6	AX-20331	1	ASSY,TOP PLATFORM,LEFT
7	AX-20332	1	ASSY,TOP PLATFORM,RIGHT

# 751T Upright Assembly



Ref #	Part Number	Qty	Description
44	HS-16929	4	BOLT WHIZ LCK,3-8-16X.625,HXHD
201	AF-19921	1	WELDMENT,UPRIGHT,LEFT,7XXT
202	AF-19922	1	WELDMENT,UPRIGHT,RIGHT,7XXT
300	AC-21401	1	CONSOLE ASSY,751T
500	HS-41050	2	*BOLT,5-16-18X2.25,HXHD,G5,ZN
501	HW-24082	2	WSHR,PLAIN,5-16X .88 X .075,STL,ZN
502	HN-42063	2	NUT 5-16-18 FLANGED SS BO
504	HS-20361	2	SCREW SLFTP 8-16X2-1/2in PLAST

**751T\_console (C0601 to D0401)**



Ref #	Part Number	Qty	Description
42	HS-15706	10	SCREW,8-16X.50,PNHD,STL,BLK ZN CLR,TYP WB
49	HS-19108	10	SCREW 5-16-18X3-4LG,HXHD,WHIZ-
301	KAX-21473	1	Repair Only / DDM, 751T
302	AF-19942	1	WELDMNT,CONSOLE,7XXT
303	AW-19694	1	CABLE,HANDSET TO DISPLAY
304	AW-20170	1	CABLE,MOTION SENSOR,750T 760T Sensor Dynamics
305	AW-20239	1	CABLE,750T 760T CONSOLE
306	AX-19936	1	ASSY,HANDRAIL,LEFT,7XXT
307	AX-19941	1	ASSY,HANDRAIL,RIGHT,7XXT
308	KSW-21661	1	Kit,750T Stop Switch
309	AX-24103	1	ASSY,LANYARD,ESTOP KEY
311	DE-20364	1	DIFFUSER, .60 OD DISC
312	DE-21184-4	1	DECAL,751T CONSOLE TOP,ENG
312	DE-21184	1	DECAL,751T CONSOLE TOP,INTL
313	EC-19706	1	FAN,12VDC,120X120MM,CFM30
314	EC-19974	1	SENSOR,IR MOTION 20 TO 150CM
315	HN-20362	10	NUT,SELF TREADING,3-8X11-16,ST
316	HS-10716	10	SCREW,4-40X0.38,PNHD PHIL
317	HS-14391	10	SCREW SEMS,6-32X.38 PNHD PHIL
319	HS-18320	10	SCREW,6-19X1-2 in,PNHD PHIL,ZN
321	HS-20367	10	SCREW SEMS,M4X10MM,PNHD PHIL,S
322	HS-20399	10	SCREW SEMS,8-32X1.25,PNHD PHIL

Ref #	Part Number	Qty	Description
323	HS-41006	10	SCREW SLFTP,10-24X.5,PNHD PHIL,410SS,HRDBO,WAX,TT
324	HS-41187	10	SCREW SLFTP,8-16X.3125,PLASTITE
325	HX-20360	1	INSERT,EXPANSION,PLASTIC,#8-#1
326	PL-20143	1	HOUSING,E-STOP
327	PL-20183	1	COVER,HANDSET,BACK
328	PL-20210	1	CONSOLE,BACK PANEL
329	PL-20211	1	CONSOLE,JUNCTION COVER,INNER L
330	PL-20218	1	DUCT,FAN,RIGHT
331	PL-20274	1	ISOLATOR,WATER BOTTLE,LEFT
332	PL-20275	1	ISOLATOR,WATER BOTTLE,RIGHT
333	PL-20340	1	DUCT,FAN,LEFT
334	PL-20355	1	COVER,JUNCTION,CONSOLE,OUTER,L
335	PL-20356	1	COVER,JUNCTION,CONSOLE,INNER,R
336	PL-20357	1	COVER,JUNCTION,CONSOLE,OUTER,R
337	PL-20550	1	CONSOLE FRONT,7XXT
338	SW-21183	1	KeyPad 751T BOT
340	PL-20185	1	COVER,HANDSET,FRONT,7XXT
350	DE-20735	1	Decal, Warning, 7XXT,
351	HX-21246	1	INSERT,MOLDED BOTTLE STABILIZE
352	DE-21596	1	LABEL,AV BLANK,750T
365	KAW-20820	1	KIT,C-HR REPLACEMENT CONTACT G
400	AD-19691	1	PCA, HANDSET AV
416	PL-20278	1	CONSOLE, TOP CAP
503	HS-18311	10	SCREW,8-16X.75,PNHD PHIL,STL,B
504	HS-20361	10	SCREW SLFTP 8-16X2-1/2in PLAST
556	425A-490	1	Isolator C-Safe Signal

