

TREADMILL, 750T,BLUE

750T-03

Parts Manual

1/5/2019 5:18:04 AM



Table of Contents

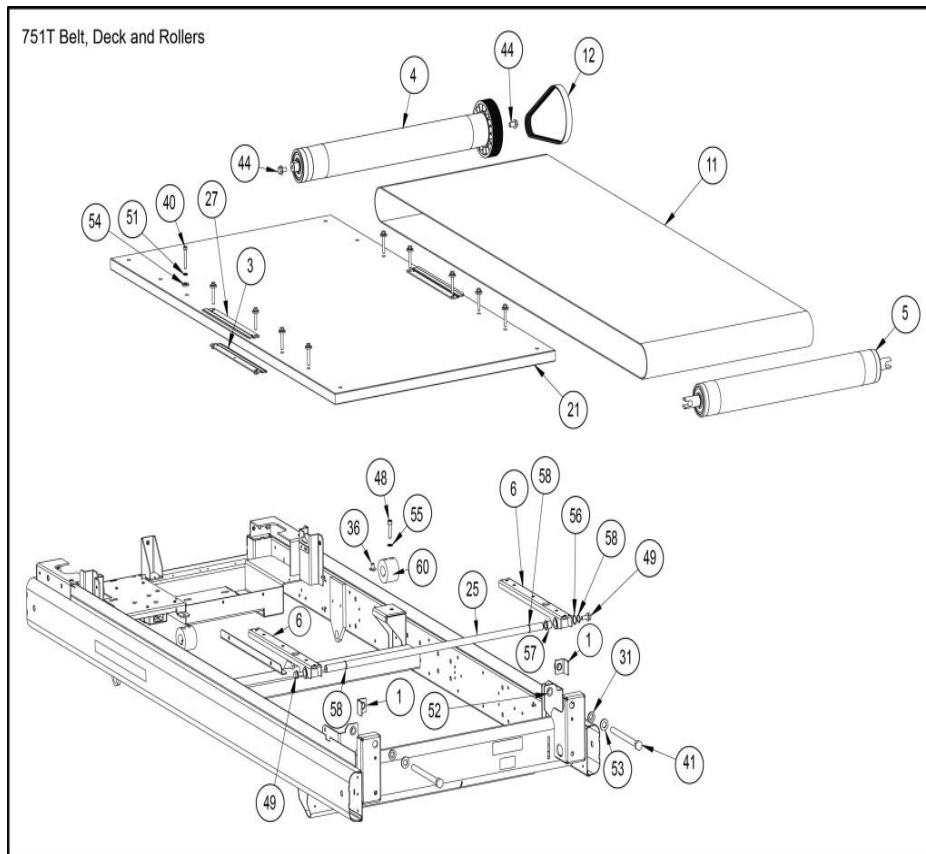
750T Service Kits (C1202 to D0202)	3
751T Belt Deck Rollers	4
751T Console AV (C0601 to D0401)	6
751T Controller Assembly	8
751T Frame (Before D0507)	10
751T Motors (Before D0507)	12
751T Total Access Option	13
751T Upright Assembly	14
751T console (C0601 to D0401)	15

750T Service Kits (C1202 to D0202)



Ref #	Part Number	Qty	Description
300	AC-21401	1	CONSOLE ASSY,751T
346	KSW-21661	1	Kit,750T Stop Switch
415	KMR-20824	1	KIT,W-AV CONTROL W-SWITCH MEMB
-	KCP-21286	1	SERVICE KIT,MONITOR MOUNTING H
-	SK-17367	1	SERVICE KIT,ADAPTER & CABLE,FL
-	KHX-21337	1	KIT,MOLDED BOTTLE STABILIZER I
-	KMR-20818	1	KIT,FAN REPLACEMENT,PCB MOTOR
-	KAW-20820	1	KIT,C-HR REPLACEMENT CONTACT G

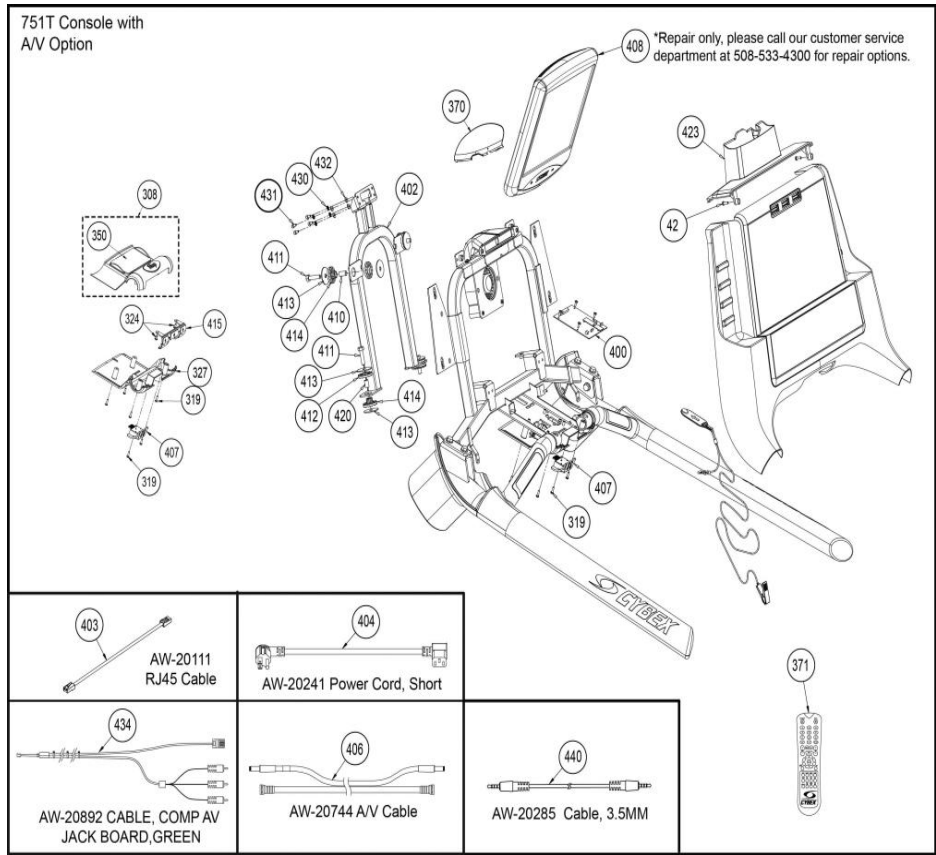
751T Belt Deck Rollers



Ref #	Part Number	Qty	Description
1	AF-19988	1	NUT,ROLLER,REAR FRONT,7XXT
3	AF-20206	1	CLAMP,LOWER, TOP STEP,7XXT
4	AL-19740	1	ROLLER ASSY,FRONT,7XXT
5	AL-19741	1	ROLLER ASSY,REAR,7XXT
6	AX-20035	1	ASSY,DECK PIVOT BRACKET
11	BD-19889	1	BELT,RUNNING,21.88X61.75
12	BD-20049	1	BELT,DRIVE 8PJ637 EJ161
21	ODK-20024	1	DECK,RUNNING, 29.00 X 53.05
25	FM-20099	1	SHAFT,DECK PIVOT,7XXT
27	FS-20031	1	PLATE,RETAINER,UPPER, TOP STEP,
31	HB-16367	2	BUSHING .50IDX.62ODX.31LG,FLAN
36	HN-20041	2	NUT,1-4-20 PROPELLER .305 OD
40	HS-12295	8	BOLT,1-4-20X1.75,HXHD,G5,ZN
41	HS-15480	2	BOLT TAP,1-2-13X6,HXHD,G5
44	HS-16929	2	BOLT WHIZ LCK,3-8-16X.625,HXHD
47	HS-17937	1	BOLT,3-8-24X2.75,HXHD CAP,G8,Y
48	HS-18358	2	BOLT,5-16-18X.1.25,SCHD CAP,BL
49	HS-19108	1	SCREW 5-16-18X3-4LG,HXHD,WHIZ-
51	HW-00180	8	WSHR LOCK SPLIT 1-4,SST,BLK PASSIVATE
52	HW-00590	1	BUSHING,NYLON,1-2 in
53	HW-10028	2	WSHR B 1-2 NARROW ZINC
54	HW-18123	8	WSHR,.344IDX.75 ODX.125THK,HAR

Ref #	Part Number	Qty	Description
55	HW-20044	2	WSHR,BELLEVILLE,15X8.2X1.0MM,.
56	HW-20089	1	WASHER,WAVE, .650ID X .855 OD
57	HB-18768	1	BEARING,IGUS LF-1011-12
58	HX-13771	1	RING,RETAIN,5-8" .579 FR.ID
60	HX-19991	2	BUMPER,SPRING DECK,2.10X2.34X1

751T Console AV (C0601 to D0401)

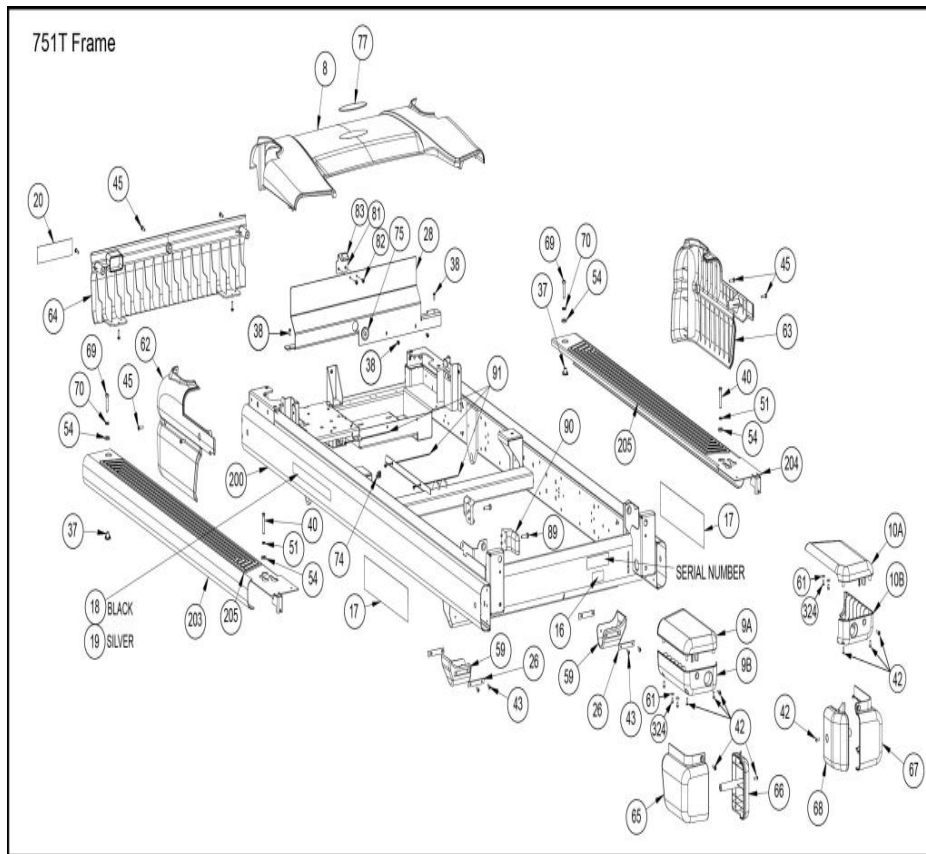


Ref #	Part Number	Qty	Description
42	HS-15706	1	SCREW,8-16X.50,PNHD,STL,BLK ZN CLR,TYP WB
308	KSW-21661	1	Kit,750T Stop Switch
309	AX-24103	1	ASSY,LANYARD,ESTOP KEY
314	EC-19974	1	SENSOR,IR MOTION 20 TO 150CM
316	HS-10716	4	SCREW,4-40X0.38,PNHD PHIL
319	HS-18320	4	SCREW,6-19X1-2 in,PNHD PHIL,ZN
324	HS-41187	4	SCREW SLFTP,8-16X.3125,PLASTITE
326	PL-20143	1	HOUSING,E-STOP
327	PL-20183	1	COVER,HANDSET,BACK
347	HS-20553	1	SCREW,4X3-8,SLFTP,PNHD,PHIL,ZN
350	DE-20735	1	Decal, Warning, 7XXT,
370	PL-20746	1	COVER,REMOVABLE,CYBEX MONITOR
371	CP-20988	1	NLA: REMOTE CONTROL,DIGITAL
400	AD-19691	1	PCA, HANDSET AV
402	AF-20286	1	WELDMENT,PERSONAL SCREEN FRAME
403	AW-20111	1	CABLE,5E BONDED PAIR RJ45 ROUN
404	AW-20241	1	POWER CORD,IEC NEMA 5-15 SHORT
406	AW-20744	1	CABLE,2.1MM F-F AV COAX
407	AX-20187	1	ASSY,HANDSET AUDIO JACK,REPLAC
408	RACP-20794	1	MONITOR,CYBEX 15.42",LCD,ATSC-NTSC
410	FT-20366	1	TUBE,SPACER, .375 DIA .028 WAL
411	HS-00417	1	BOLT,5-16-18X1.25,HXHD

Ref #	Part Number	Qty	Description
412	HX-20778	1	RING MOUNT,VIBRATION ISOLATOR
413	HW-20779	1	WASHER,FLAT 1.44X.325X.06THK S
414	HX-20782	1	BUSHING,T-TYPE,VIBRATION ISOLA
415	KMR-20824	1	KIT,W-AV CONTROL W-SWITCH MEMB
420	PL-20777	1	SPACER,LOWER MOUNT,PERSONAL SC
423	PL-20209	1	CONSOLE, TOP CAP W-AV
430	HW-21285	1	WASHER,SPLIT LOCK M4,STEEL ZN
431	HS-20731	1	SCREW,M4X10,SCHD,STL,BLK,HEAT
432	HW-20214	1	WASHER,FLAT,M4
434	AW-20892	1	CABLE, COMP AV JACK BOARD, GREEN
440	AW-20285	1	CABLE,3.5MM AV 1:1

Ref #	Part Number	Qty	Description
126	DE-20558	1	LABEL,HUB BOARD
127	EC-18896	1	FILTER,16A
128	EH-12208	1	INLET IEC 320 16-20 AMP
130	FS-20232	1	BRKT,POWER CORD RETAINER,7XXT
131	HN-11925	1	KEPS,10-32 HEX STL ZN
132	HS-10405	1	SCREW,4-40X.25,PNHD PHIL
134	HS-15732	1	SCREW SEMS,8-32UNCX.62,PNHD PHIL,ZN
135	HW-10856	1	WSHR,LOCK EXT NO10 ZC
136	RE-23040	1	RESISTOR,TM5 DYNAMIC BRAKE,7.5
137	SW-19666	1	SWITCH,THERMAL CB,15AMP 240V,R
137	SW-19667	1	SWITCH,THERMAL CB,20AMP 240V,R
401	AF-20137	1	BRKT,AV POWER SUPPLY, 7XXT
409	FS-20300	1	STRAP,AV POWER SUPPLY
418	TR-21881	1	POWER SUPPLY,12V FAN LOCKING D
419	FS-20233	1	BRACKET,FAN POWER SUPPLY RETAI
424	HS-11894	1	SCREW SEMS,6-32X.25,PNHD PHIL,
425	TR-20203	1	POWER SUPPLY,12VDC,12-24VAC,6.
426	AW-20280	1	POWER CORD,115V,20A,60HZ
427	AW-20281	1	POWER CORD,220V 15A,60HZ
428	AW-20282	1	POWER CORD,230V,16A,50HZ
429	AW-20283	1	POWER CORD,UK,230V,13A,50HZ
430	AW-21882	1	CABLE,ADAPTER,LOCKING DC 2.1MM

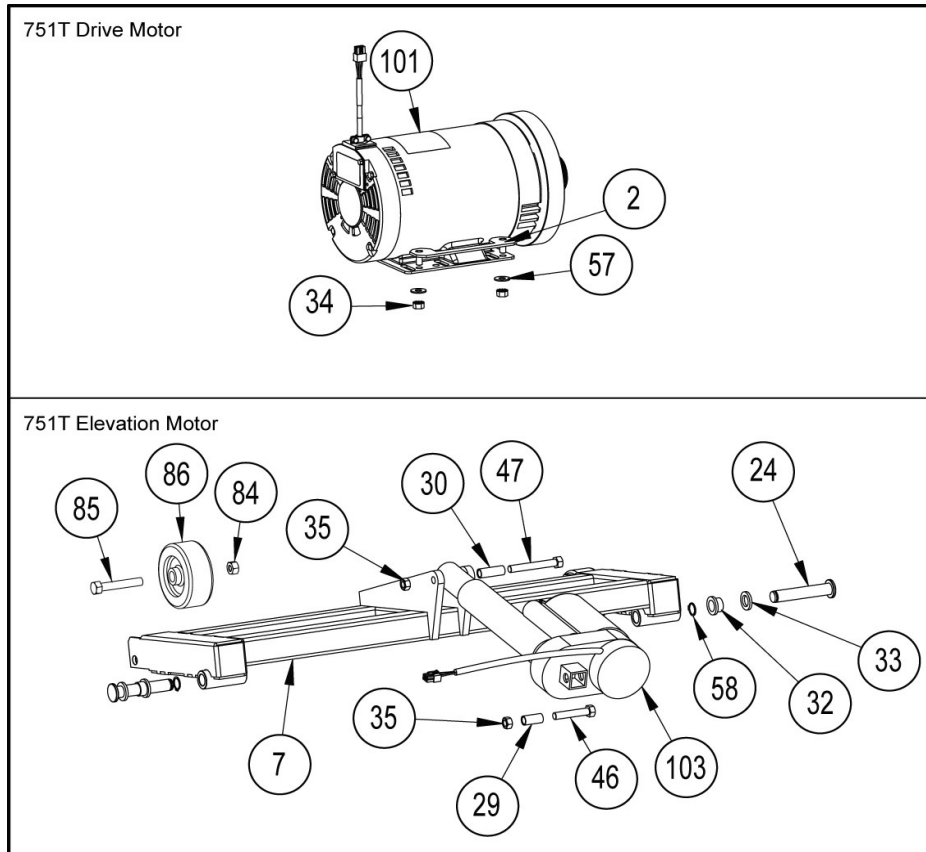
751T Frame (Before D0507)



Ref #	Part Number	Qty	Description
8	AX-20383	1	ASSY,MOTOR COVER,7XXT
9B	PL-20267	1	COVER,REAR,TOP STEP LOWER,LEFT
9A	PL-20268	1	COVER,REAR,TOP STEP UPPER,LEFT
10B	PL-20271	1	COVER,REAR,TOP STEP LOWER,RIGHT
10A	PL-20272	1	COVER,REAR,TOP STEP UPPER,RIGHT
16	DE-18413	1	DECAL,ETL AND CSA
17	DE-19360	1	DECAL,CYBEX,BLACK
18	DE-20392	1	NLA: DECAL,750T,BLACK
19	DE-20393	1	NLA: DECAL,750T,SILVER
20	DE-20427	1	LABEL,DISCONNECT POWER W RUSSI
26	FS-16511	4	PLATE,REAR RUBBER FOOT MNT
28	FS-20109	1	SHIELD,SPLASH 7XXT
37	HN-20693	1	NUT,TEE,5-16-18,1-2in BARREL,4
38	HS-11977	4	SCREW SEMS,8-32X.38,PNHD PHIL,EXT,STL,BLK ZN
40	HS-12295	1	BOLT,1-4-20X1.75,HXHD,G5,ZN
42	HS-15706	8	SCREW,8-16X.50,PNHD,STL,BLK ZN CLR,TYP WB
43	HS-16509	8	SCREW SLFTP,10X.5,PNHD,PLT,TYP
45	HS-16939	4	SCREW SEMS,10-32X.75,PNHD,BLK
51	HW-00180	4	WSHR LOCK SPLIT 1-4,SST,BLK PASSIVATE
54	HW-18123	4	WSHR,.344IDX.75 ODX.125THK,HAR
59	HX-16510	2	FOOT,RUBBER,REAR
61	HW-13656	1	WASHER FLAT .187IDX.875ODX.06

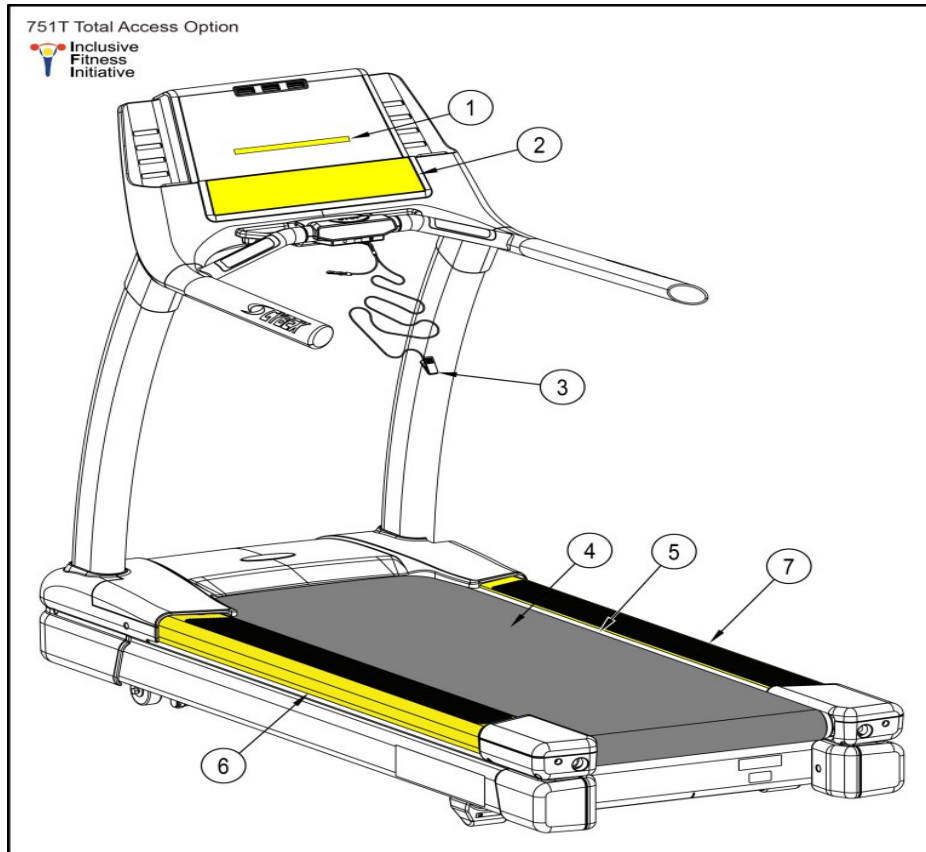
Ref #	Part Number	Qty	Description
62	PL-20262	1	COVER,LEFT SIDE FRONT,7XXT
63	PL-20263	1	COVER,RIGHT SIDE FRONT,7XXT
64	PL-20264	1	COVER,FRONT,7XXT
65	PL-20265	1	COVER,REAR,FRAME OUTER,LEFT
66	PL-20266	1	COVER,REAR,FRAME INNER,LEFT
67	PL-20269	1	COVER,REAR,FRAME OUTER,RIGHT
68	PL-20270	1	COVER,REAR,FRAME INNER,RIGHT
69	HS-41107	4	BOLT,5-16-18X1.5,BTHD,SST,BLK
70	HW-00165	1	WSHR SPLIT LOCK 5-16 ZINC
74	EH-20254	1	CLIP,WIRE RETAINER,.24-.47"DIA
75	HX-20248	1	GROMMET,RUBBER,1.12"DIA
77	DE-19198	1	DECAL,CYBEX LOGO Empire screen
81	AF-20842	1	BRKT,TREADMILL COVER
82	HS-11976	4	SCREW SEMS,10-32X.38,EXT,ZN
83	HX-20843	1	BUMPER, .85 X .64 X .25 THK W-
89	HS-22137	1	BOLT, 1-4-14x1.25,HXHD WSHR,TY
90	PL-22129	1	BRKT,POWER CORD STORAGE,PLASTI
91	EH-00986	1	TY WRAP,T B TYB-25M 9 in
200	AF-19890	1	WELDMENT,FRAME,7XXT Custom
203	AX-20331	1	ASSY,TOP PLATFORM,LEFT
204	AX-20332	1	ASSY,TOP PLATFORM,RIGHT
205	DE-20305	1	DECAL,SAFETY WALK,750T
324	HS-41187	1	SCREW SLFTP,8-16X.3125,PLASTITE

751T Motors (Before D0507)



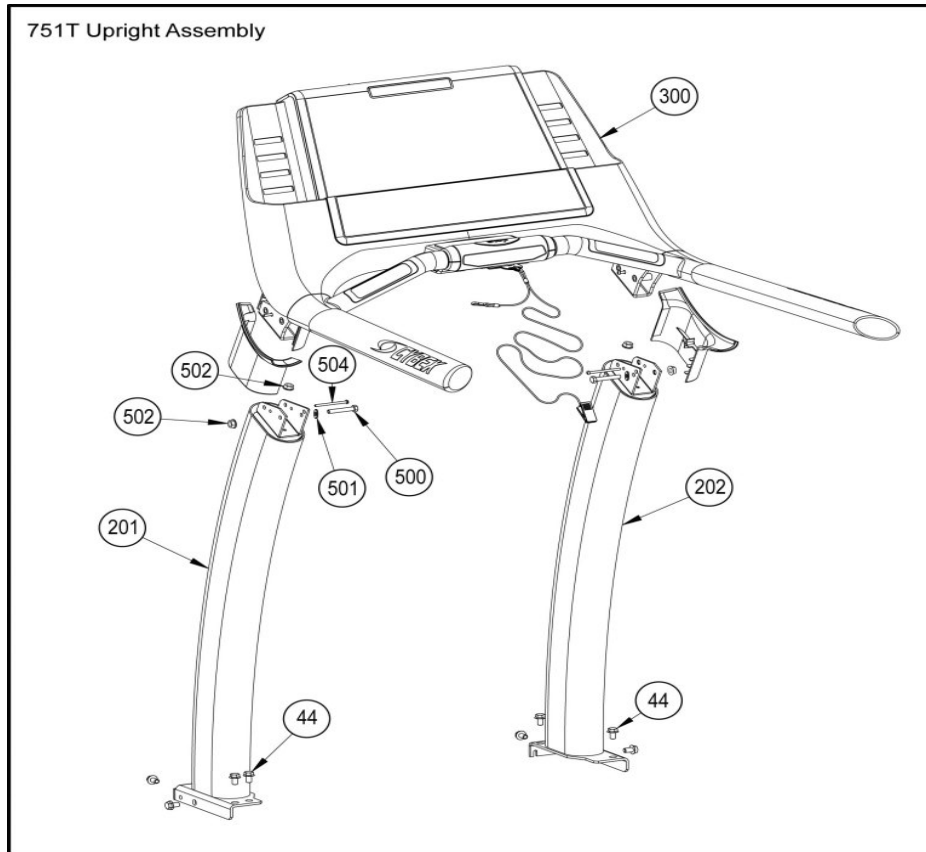
Ref #	Part Number	Qty	Description
2	AF-20052	1	BRKT,MOTOR,MOUNTING,7XXT
7	AX-20094	1	ASSY,ELEVATION,750T
24	FM-20096	2	PIN,ELEVATION PIVOT
29	FT-16825	1	SLEEVE,ELEVATION MOUNTING, TOP
30	FT-16826	1	SLEEVE,ELEVATION MOUNTING,BTM
32	HB-20097	2	BEARING,FLANGE,BRONZE,.625IDX.
33	HB-20098	2	BEARING,THRUST,BRONZE,.623IDX1
34	HN-11136	2	KEPS 5/16-18 HEX STL ZINC
35	HN-17935	1	NUT LOCK,3-8-24,GRD C,STL,ZN
46	HS-17936	1	BOLT,3-8-24X2.0,HXHD CAP,G8,YE
47	HS-17937	1	BOLT,3-8-24X2.75,HXHD CAP,G8,Y
57	HW-53017	2	WSHR FLAT,5-16,SS,BO
58	HX-13771	2	RING,RETAIN,5-8" .579 FR.ID
84	HN-60064	1	NUT JAM 3-8IN.-16 BLK ZN
85	HS-60022	1	BOLT,3-8X2.25,HXHD CAP,BLK ZN,
86	CW-16712	1	WHEEL,3 in DIA X 1.25W,PLAIN B
101	MR-22239	1	MOTOR,AC DRIVE 220V,3HP
103	MR-19992	1	MOTOR,ELEVATION,115VAC 60HZ,7X
103	MR-19993	1	MOTOR,ELEVATION,230VAC 50-60HZ

751T Total Access Option



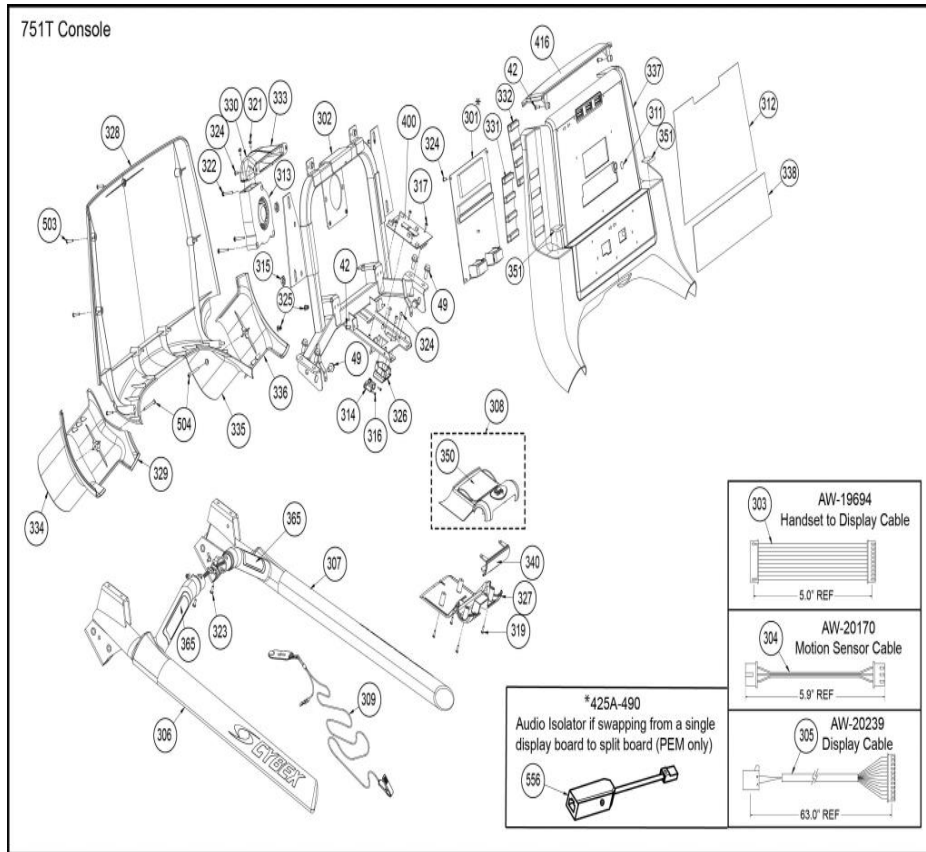
Ref #	Part Number	Qty	Description
1	DE-21936-4	1	MASK,751T,ENUNCIATOR,IFI,ENG
2	SW-21893-4	1	MEMBRANE,751T,BTM,ENG,IFI
3	AX-24103	1	ASSY,LANYARD,ESTOP KEY
4	BD-20691	1	BELT,RUNNING,IFI,21.88X61.75
5	DK-20692	1	DECK,RUNNING,IFI,29X53.50X1.02
6	AX-20331	1	ASSY,TOP PLATFORM,LEFT
7	AX-20332	1	ASSY,TOP PLATFORM,RIGHT

751T Upright Assembly



Ref #	Part Number	Qty	Description
44	HS-16929	4	BOLT WHIZ LCK,3-8-16X.625,HXHD
201	AF-19921	1	WELDMENT,UPRIGHT,LEFT,7XXT
202	AF-19922	1	WELDMENT,UPRIGHT,RIGHT,7XXT
300	AC-21401	1	CONSOLE ASSY,751T
500	HS-41050	2	*BOLT,5-16-18X2.25,HXHD,G5,ZN
501	HW-24082	2	WSHR,PLAIN,5-16X .88 X .075,STL,ZN
502	HN-42063	2	NUT 5-16-18 FLANGED SS BO
504	HS-20361	2	SCREW SLFTP 8-16X2-1/2in PLAST

751T_console (C0601 to D0401)



Ref #	Part Number	Qty	Description
42	HS-15706	10	SCREW,8-16X.50,PNHD,STL,BLK ZN CLR,TYP WB
49	HS-19108	10	SCREW 5-16-18X3-4LG,HXHD,WHIZ-
301	KAX-21473	1	Repair Only / DDM, 751T
302	AF-19942	1	WELDMNT,CONSOLE,7XXT
303	AW-19694	1	CABLE,HANDSET TO DISPLAY
304	AW-20170	1	CABLE,MOTION SENSOR,750T 760T Sensor Dynamics
305	AW-20239	1	CABLE,750T 760T CONSOLE
306	AX-19936	1	ASSY,HANDRAIL,LEFT,7XXT
307	AX-19941	1	ASSY,HANDRAIL,RIGHT,7XXT
308	KSW-21661	1	Kit,750T Stop Switch
309	AX-24103	1	ASSY,LANYARD,ESTOP KEY
311	DE-20364	1	DIFFUSER, .60 OD DISC
312	DE-21184-4	1	DECAL,751T CONSOLE TOP,ENG
312	DE-21184	1	DECAL,751T CONSOLE TOP,INTL
313	EC-19706	1	FAN,12VDC,120X120MM,CFM30
314	EC-19974	1	SENSOR,IR MOTION 20 TO 150CM
315	HN-20362	10	NUT,SELF TREADING,3-8X11-16,ST
316	HS-10716	10	SCREW,4-40X0.38,PNHD PHIL
317	HS-14391	10	SCREW SEMS,6-32X.38 PNHD PHIL
319	HS-18320	10	SCREW,6-19X1-2 in,PNHD PHIL,ZN
321	HS-20367	10	SCREW SEMS,M4X10MM,PNHD PHIL,S
322	HS-20399	10	SCREW SEMS,8-32X1.25,PNHD PHIL

Ref #	Part Number	Qty	Description
323	HS-41006	10	SCREW SLFTP,10-24X.5,PNHD PHIL,410SS,HRDBO,WAX,TT
324	HS-41187	10	SCREW SLFTP,8-16X.3125,PLASTITE
325	HX-20360	1	INSERT,EXPANSION,PLASTIC,#8-#1
326	PL-20143	1	HOUSING,E-STOP
327	PL-20183	1	COVER,HANDSET,BACK
328	PL-20210	1	CONSOLE,BACK PANEL
329	PL-20211	1	CONSOLE,JUNCTION COVER,INNER L
330	PL-20218	1	DUCT,FAN,RIGHT
331	PL-20274	1	ISOLATOR,WATER BOTTLE,LEFT
332	PL-20275	1	ISOLATOR,WATER BOTTLE,RIGHT
333	PL-20340	1	DUCT,FAN,LEFT
334	PL-20355	1	COVER,JUNCTION,CONSOLE,OUTER,L
335	PL-20356	1	COVER,JUNCTION,CONSOLE,INNER,R
336	PL-20357	1	COVER,JUNCTION,CONSOLE,OUTER,R
337	PL-20550	1	CONSOLE FRONT,7XXT
338	SW-21183	1	KeyPad 751T BOT
340	PL-20185	1	COVER,HANDSET,FRONT,7XXT
350	DE-20735	1	Decal, Warning, 7XXT,
351	HX-21246	1	INSERT,MOLDED BOTTLE STABILIZE
352	DE-21596	1	LABEL,AV BLANK,750T
365	KAW-20820	1	KIT,C-HR REPLACEMENT CONTACT G
400	AD-19691	1	PCA, HANDSET AV
416	PL-20278	1	CONSOLE, TOP CAP
503	HS-18311	10	SCREW,8-16X.75,PNHD PHIL,STL,B
504	HS-20361	10	SCREW SLFTP 8-16X2-1/2in PLAST
556	425A-490	1	Isolator C-Safe Signal

