

TREADMILL, 750T,BLUE

750T-05

Parts Manual

1/5/2019 5:19:22 AM



Table of Contents

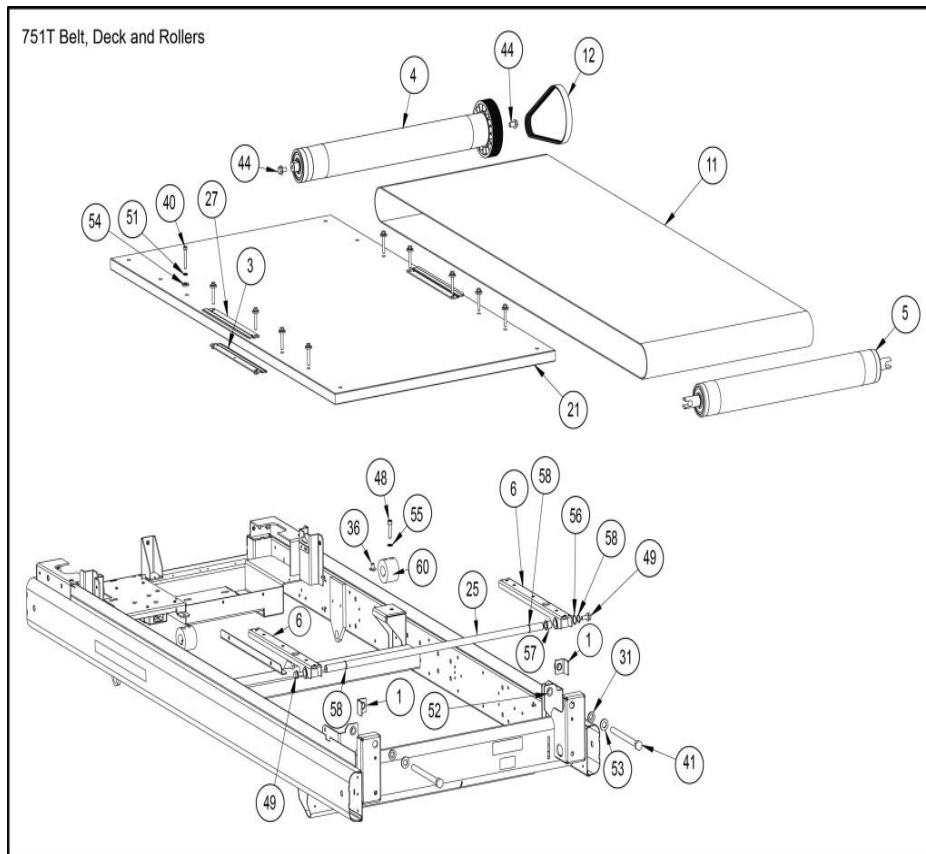
| | |
|--|----|
| 750T Service Kits (D0402 to Current) | 3 |
| 751T Belt Deck Rollers | 4 |
| 751T Console AV (D0402 to D0507) | 6 |
| 751T Controller Assembly | 8 |
| 751T Frame (Before D0507) | 10 |
| 751T Motors (Before D0507) | 12 |
| 751T Total Access Option | 13 |
| 751T Upright Assembly | 14 |
| 751T console (D0402 to D0507) | 15 |

750T Service Kits (D0402 to Current)



| Ref # | Part Number | Qty | Description |
|-------|-------------|-----|--------------------------------|
| 300 | AC-21401 | 1 | CONSOLE ASSY,751T |
| 301 | KAX-21473 | 1 | Repair Only / DDM, 751T |
| 356 | AX-21798 | 1 | ASSY,HANDSET, TOP W-TABS |
| 415 | KAD-21926 | 1 | KIT,HANDSET PEM JACK BOARD REP |
| - | 750T-009 | 1 | PEM UPGRADE,750T TREADMILL |
| - | KMR-20818 | 1 | KIT,FAN REPLACEMENT,PCB MOTOR |
| - | SK-17367 | 1 | SERVICE KIT,ADAPTER & CABLE,FL |
| - | KCP-21286 | 1 | SERVICE KIT,MONITOR MOUNTING H |
| - | KAW-20820 | 1 | KIT,C-HR REPLACEMENT CONTACT G |
| - | KHX-21337 | 1 | KIT,MOLDED BOTTLE STABILIZER I |

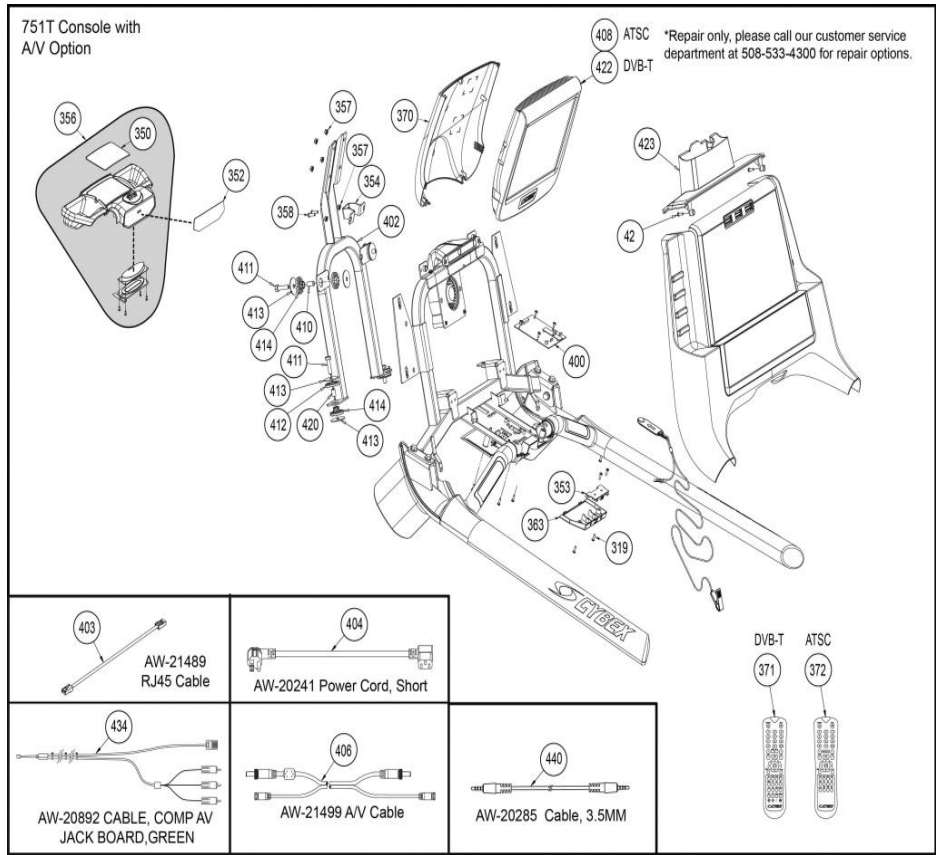
751T Belt Deck Rollers



| Ref # | Part Number | Qty | Description |
|-------|-------------|-----|---------------------------------------|
| 1 | AF-19988 | 1 | NUT,ROLLER,REAR FRONT,7XXT |
| 3 | AF-20206 | 1 | CLAMP,LOWER, TOP STEP,7XXT |
| 4 | AL-19740 | 1 | ROLLER ASSY,FRONT,7XXT |
| 5 | AL-19741 | 1 | ROLLER ASSY,REAR,7XXT |
| 6 | AX-20035 | 1 | ASSY,DECK PIVOT BRACKET |
| 11 | BD-19889 | 1 | BELT,RUNNING,21.88X61.75 |
| 12 | BD-20049 | 1 | BELT,DRIVE 8PJ637 EJ161 |
| 21 | ODK-20024 | 1 | DECK,RUNNING, 29.00 X 53.05 |
| 25 | FM-20099 | 1 | SHAFT,DECK PIVOT,7XXT |
| 27 | FS-20031 | 1 | PLATE,RETAINER,UPPER, TOP STEP, |
| 31 | HB-16367 | 2 | BUSHING .50IDX.62ODX.31LG,FLAN |
| 36 | HN-20041 | 2 | NUT,1-4-20 PROPELLER .305 OD |
| 40 | HS-12295 | 8 | BOLT,1-4-20X1.75,HXHD,G5,ZN |
| 41 | HS-15480 | 2 | BOLT TAP,1-2-13X6,HXHD,G5 |
| 44 | HS-16929 | 2 | BOLT WHIZ LCK,3-8-16X.625,HXHD |
| 47 | HS-17937 | 1 | BOLT,3-8-24X2.75,HXHD CAP,G8,Y |
| 48 | HS-18358 | 2 | BOLT,5-16-18X.1.25,SCHD CAP,BL |
| 49 | HS-19108 | 1 | SCREW 5-16-18X3-4LG,HXHD,WHIZ- |
| 51 | HW-00180 | 8 | WSHR LOCK SPLIT 1-4,SST,BLK PASSIVATE |
| 52 | HW-00590 | 1 | BUSHING,NYLON,1-2 in |
| 53 | HW-10028 | 2 | WSHR B 1-2 NARROW ZINC |
| 54 | HW-18123 | 8 | WSHR,.344IDX.75 ODX.125THK,HAR |

| Ref # | Part Number | Qty | Description |
|-------|-------------|-----|--------------------------------|
| 55 | HW-20044 | 2 | WSHR,BELLEVILLE,15X8.2X1.0MM,. |
| 56 | HW-20089 | 1 | WASHER,WAVE, .650ID X .855 OD |
| 57 | HB-18768 | 1 | BEARING,IGUS LF-1011-12 |
| 58 | HX-13771 | 1 | RING,RETAIN,5-8" .579 FR.ID |
| 60 | HX-19991 | 2 | BUMPER,SPRING DECK,2.10X2.34X1 |

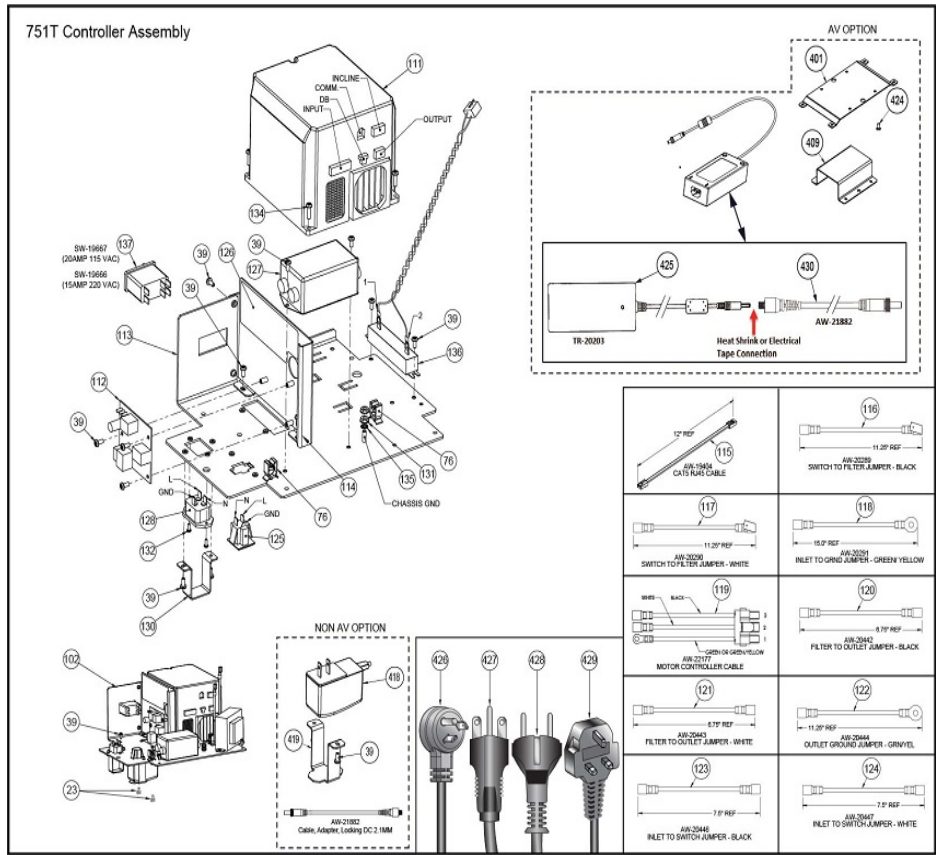
751T Console AV (D0402 to D0507)



| Ref # | Part Number | Qty | Description |
|---------|-------------|-----|---|
| 42 | HS-15706 | 4 | SCREW,8-16X.50,PNHD,STL,BLK ZN CLR,TYP WB |
| 309 | AX-24103 | 1 | ASSY,LANYARD,ESTOP KEY |
| 314 | EC-19974 | 1 | SENSOR,IR MOTION 20 TO 150CM |
| 316 | HS-10716 | 4 | SCREW,4-40X0.38,PNHD PHIL |
| 319 | HS-18320 | 4 | SCREW,6-19X1-2 in,PNHD PHIL,ZN |
| 326 | PL-20143 | 1 | HOUSING,E-STOP |
| 347 | HS-20553 | 4 | SCREW,4X3-8,SLFTP,PNHD,PHIL,ZN |
| 350 | DE-20735 | 1 | Decal, Warning, 7XXT, |
| 352 | SW-20813 | 1 | Keypad, AV 750CR |
| 352 | DE-21596 | 1 | LABEL,AV BLANK,750T |
| 353 | AD-20840 | 1 | PCA,PEM JACK BOARD |
| 356 | AX-21798 | 1 | ASSY,HANDSET, TOP W-TABS |
| 357 | HN-60089 | 4 | NUT FLANGED WHIZ LOCK 1-4-20 |
| 363 | PL-21793 | 1 | COVER,HANDSET AV MODULE |
| 370 | PL-21856 | 1 | COVER,REMOVABLE REAR,DIGITAL P |
| 371,372 | CP-21531 | 2 | NLA: REMOTE CONTROL,HANDSET,DIGITAL |
| 400 | AD-19691 | 1 | PCA, HANDSET AV |
| 402 | KAF-21910 | 1 | SERVICE,750T PEM RETROFIT |
| 403 | AW-21489 | 1 | CABLE CAT5E 24 in PATCH BLUE |
| 404 | AW-20241 | 1 | POWER CORD,IEC NEMA 5-15 SHORT |
| 406 | AW-21499 | 1 | CABLE,LOCKING RF & DC POWER CABLE,2795MM |
| 408 | RACP-22564 | 1 | NC R&R RE-MFG MONITOR 15.6in ATSC NTS |

| Ref # | Part Number | Qty | Description |
|-------|-------------|-----|----------------------------------|
| 410 | FT-20366 | 1 | TUBE,SPACER, .375 DIA .028 WAL |
| 411 | HS-00417 | 2 | BOLT,5-16-18X1.25,HXHD |
| 412 | HX-20778 | 2 | RING MOUNT,VIBRATION ISOLATOR |
| 413 | HW-20779 | 2 | WASHER,FLAT 1.44X.325X.06THK S |
| 414 | HX-20782 | 2 | BUSHING,T-TYPE,VIBRATION ISOLA |
| 420 | PL-20777 | 2 | SPACER,LOWER MOUNT,PERSONAL SC |
| 423 | PL-21178 | 1 | CONSOLE TOP,W-AV |
| 430 | HW-21285 | 4 | WASHER,SPLIT LOCK M4,STEEL ZN |
| 431 | HS-20731 | 4 | SCREW,M4X10,SCHD,STL,BLK,HEAT |
| 432 | HW-20214 | 1 | WASHER,FLAT,M4 |
| 434 | AW-20892 | 1 | CABLE, COMP AV JACK BOARD, GREEN |
| 440 | AW-20285 | 1 | CABLE,3.5MM AV 1:1 |

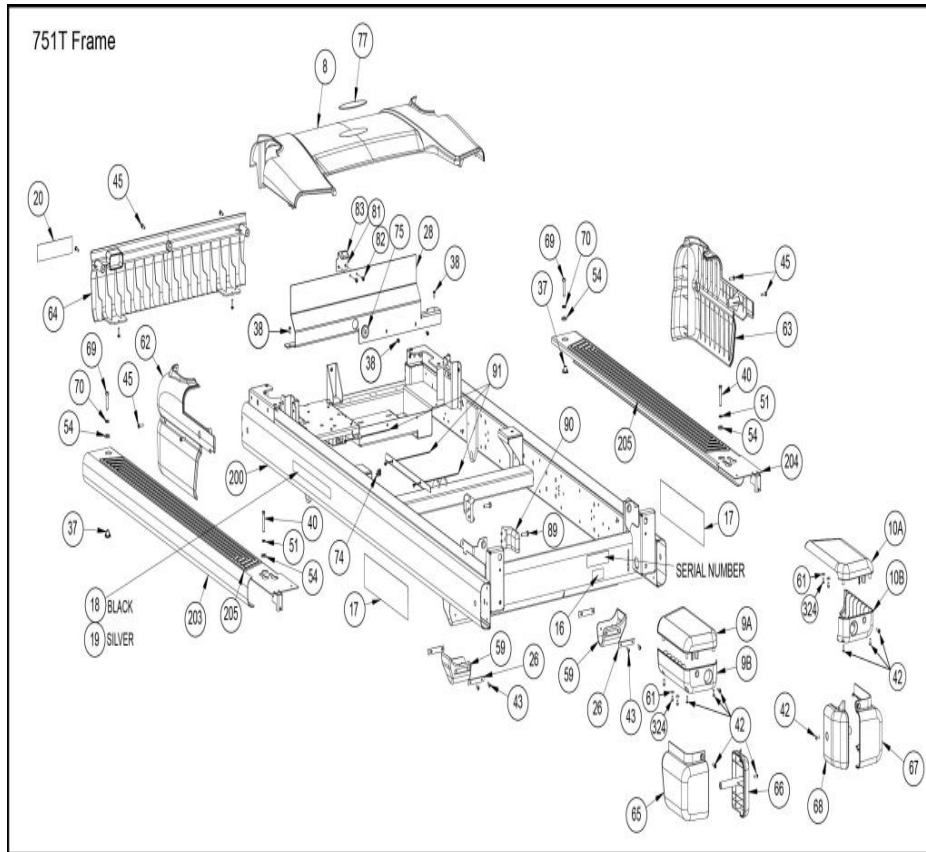
751T Controller Assembly



| Ref # | Part Number | Qty | Description |
|-------|-------------|-----|--|
| 23 | EH-10291 | 1 | TY WRAP BASE |
| 39 | HS-11977 | 4 | SCREW SEMS,8-32X.38,PNHD PHIL,EXT,STL,BLK ZN |
| 76 | EH-20244 | 1 | *CLIP,WIRE RETAINER,.24-.47"DI |
| 102 | AX-20237 | 1 | SUB ASSY,7XXT 230V 50HZ CONTRO |
| 102 | AX-20235 | 1 | NLA: SUB ASSY,7XXT 110V CONTROLLER |
| 102 | AX-20236 | 1 | NLA: SUB ASSY,7XXT 220V CONTROLLER |
| 111 | PKAD-22222 | 1 | KIT,230V TM5 GOLD PLATED REPLA |
| 111 | KAD-23125 | 1 | Kit, PCA Drive 7XXT, 115v |
| 112 | AD-21879 | 1 | PCA,HUB BOARD,LOCKING |
| 113 | AF-20123 | 1 | PLATE,SWITCHES,7XXT |
| 114 | AF-20234 | 1 | BRACKET,CONTROLLER PCB,7XXT |
| 115 | AW-19404 | 1 | CABLE,CAT5 RJ45 FLAT PATCH 12i |
| 116 | AW-20289 | 1 | WIRE,INLET TO SWITCH FILTER JU |
| 117 | AW-20290 | 1 | WIRE,SWITCH TO FILTER JUMPER,W |
| 118 | AW-20291 | 1 | WIRE,INLET TO GRND JUMPER,GREE |
| 119 | AW-22177 | 1 | CABLE,MOTOR CONTROLLER, AU PLA |
| 120 | AW-20442 | 1 | WIRE,FILTER TO OUTLET JUMPER,B |
| 121 | AW-20443 | 1 | WIRE,FILTER TO OUTLET JUMPER,W |
| 122 | AW-20444 | 1 | WIRE,OUTLET GRND JUPER,GREEN-Y |
| 123 | AW-20446 | 1 | WIRE,INLET TO SWITCH JUMPER,BL |
| 124 | AW-20447 | 1 | WIRE,INLET TO SWITCH JUMPER,WH |
| 125 | CN-20252 | 1 | PLUG,NEMA 5-15R,SNAP FIT,FLUSH |

| Ref # | Part Number | Qty | Description |
|-------|-------------|-----|-------------------------------------|
| 126 | DE-20558 | 1 | LABEL,HUB BOARD |
| 127 | EC-18896 | 1 | FILTER,16A |
| 128 | EH-12208 | 1 | INLET IEC 320 16-20 AMP |
| 130 | FS-20232 | 1 | BRKT,POWER CORD RETAINER,7XXT |
| 131 | HN-11925 | 1 | KEPS,10-32 HEX STL ZN |
| 132 | HS-10405 | 1 | SCREW,4-40X.25,PNHD PHIL |
| 134 | HS-15732 | 1 | SCREW SEMS,8-32UNCX.62,PNHD PHIL,ZN |
| 135 | HW-10856 | 1 | WSHR,LOCK EXT NO10 ZC |
| 136 | RE-23040 | 1 | RESISTOR,TM5 DYNAMIC BRAKE,7.5 |
| 137 | SW-19667 | 1 | SWITCH,THERMAL CB,20AMP 240V,R |
| 137 | SW-19666 | 1 | SWITCH,THERMAL CB,15AMP 240V,R |
| 401 | AF-20137 | 1 | BRKT,AV POWER SUPPLY, 7XXT |
| 409 | FS-20300 | 1 | STRAP,AV POWER SUPPLY |
| 418 | TR-21881 | 1 | POWER SUPPLY,12V FAN LOCKING D |
| 419 | FS-20233 | 1 | BRACKET,FAN POWER SUPPLY RETAI |
| 424 | HS-11894 | 1 | SCREW SEMS,6-32X.25,PNHD PHIL, |
| 425 | TR-20203 | 1 | POWER SUPPLY,12VDC,12-24VAC,6. |
| 426 | AW-20280 | 1 | POWER CORD,115V,20A,60HZ |
| 427 | AW-20281 | 1 | POWER CORD,220V 15A,60HZ |
| 428 | AW-20282 | 1 | POWER CORD,230V,16A,50HZ |
| 429 | AW-20283 | 1 | POWER CORD,UK,230V,13A,50HZ |
| 430 | AW-21882 | 1 | CABLE,ADAPTER,LOCKING DC 2.1MM |

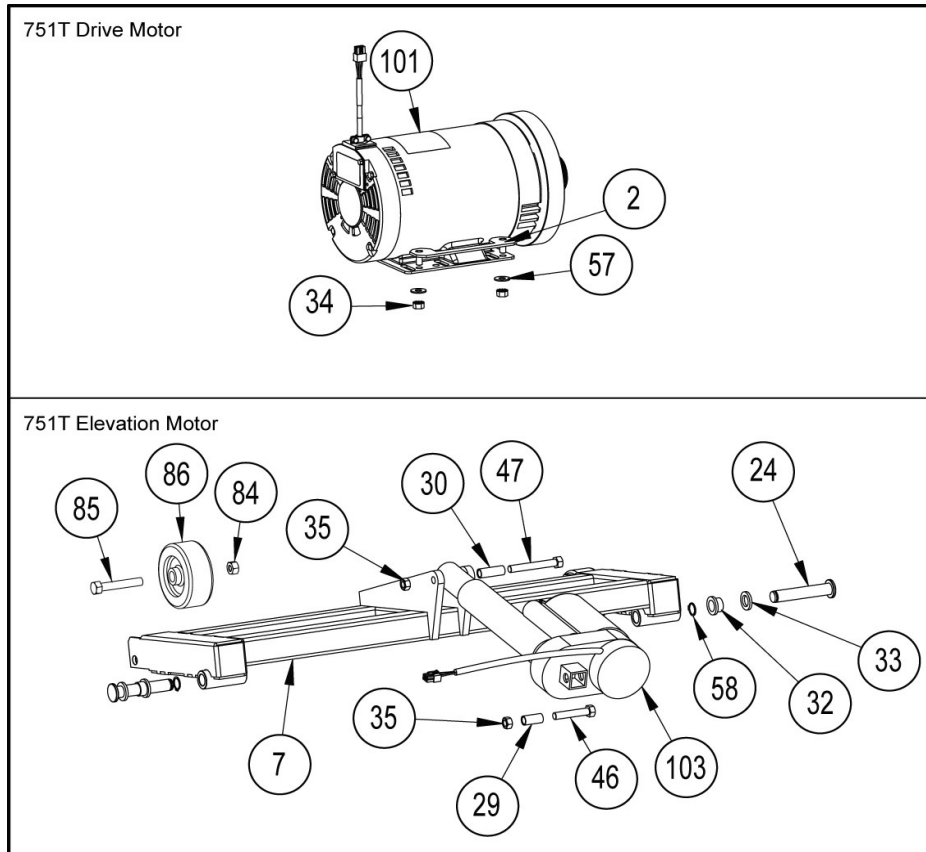
751T Frame (Before D0507)



| Ref # | Part Number | Qty | Description |
|-------|-------------|-----|--|
| 8 | AX-20383 | 1 | ASSY,MOTOR COVER,7XXT |
| 9A | PL-20268 | 1 | COVER,REAR,TOP STEP UPPER,LEFT |
| 9B | PL-20267 | 1 | COVER,REAR,TOP STEP LOWER,LEFT |
| 10A | PL-20272 | 1 | COVER,REAR,TOP STEP UPPER,RIGHT |
| 10B | PL-20271 | 1 | COVER,REAR,TOP STEP LOWER,RIGHT |
| 16 | DE-18413 | 1 | DECAL,ETL AND CSA |
| 17 | DE-19360 | 1 | DECAL,CYBEX,BLACK |
| 18 | DE-20392 | 1 | NLA: DECAL,750T,BLACK |
| 19 | DE-20393 | 1 | NLA: DECAL,750T,SILVER |
| 20 | DE-20427 | 1 | LABEL,DISCONNECT POWER W RUSSI |
| 26 | FS-16511 | 4 | PLATE,REAR RUBBER FOOT MNT |
| 28 | FS-20109 | 1 | SHIELD,SPLASH 7XXT |
| 37 | HN-20693 | 1 | NUT,TEE,5-16-18,1-2in BARREL,4 |
| 38 | HS-11977 | 4 | SCREW SEMS,8-32X.38,PNHD PHIL,EXT,STL,BLK ZN |
| 40 | HS-12295 | 1 | BOLT,1-4-20X1.75,HXHD,G5,ZN |
| 42 | HS-15706 | 8 | SCREW,8-16X.50,PNHD,STL,BLK ZN CLR,TYP WB |
| 43 | HS-16509 | 8 | SCREW SLFTP,10X.5,PNHD,PLT,TYP |
| 45 | HS-16939 | 4 | SCREW SEMS,10-32X.75,PNHD,BLK |
| 51 | HW-00180 | 4 | WSHR LOCK SPLIT 1-4,SST,BLK PASSIVATE |
| 54 | HW-18123 | 4 | WSHR,.344IDX.75 ODX.125THK,HAR |
| 59 | HX-16510 | 2 | FOOT,RUBBER,REAR |
| 61 | HW-13656 | 1 | WASHER FLAT .187IDX.875ODX.06 |

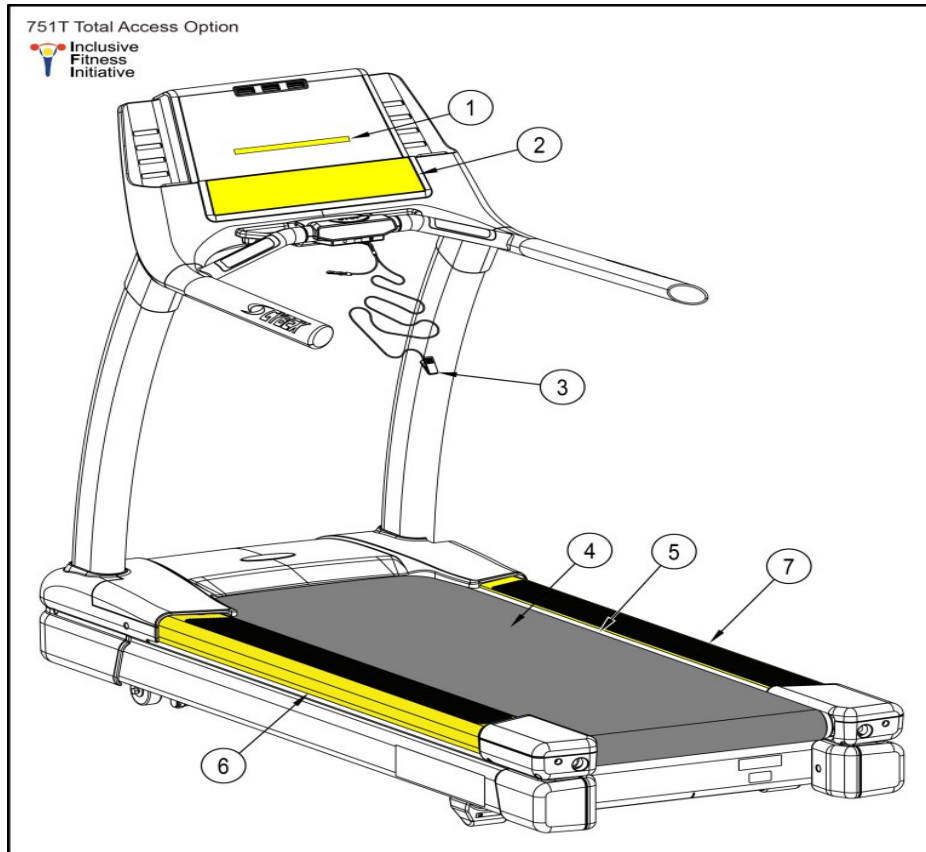
| Ref # | Part Number | Qty | Description |
|-------|-------------|-----|---------------------------------|
| 62 | PL-20262 | 1 | COVER,LEFT SIDE FRONT,7XXT |
| 63 | PL-20263 | 1 | COVER,RIGHT SIDE FRONT,7XXT |
| 64 | PL-20264 | 1 | COVER,FRONT,7XXT |
| 65 | PL-20265 | 1 | COVER,REAR,FRAME OUTER,LEFT |
| 66 | PL-20266 | 1 | COVER,REAR,FRAME INNER,LEFT |
| 67 | PL-20269 | 1 | COVER,REAR,FRAME OUTER,RIGHT |
| 68 | PL-20270 | 1 | COVER,REAR,FRAME INNER,RIGHT |
| 69 | HS-41107 | 4 | BOLT,5-16-18X1.5,BTHD,SST,BLK |
| 70 | HW-00165 | 1 | WSHR SPLIT LOCK 5-16 ZINC |
| 74 | EH-20254 | 1 | CLIP,WIRE RETAINER,.24-.47"DIA |
| 75 | HX-20248 | 1 | GROMMET,RUBBER,1.12"DIA |
| 77 | DE-19198 | 1 | DECAL,CYBEX LOGO Empire screen |
| 81 | AF-20842 | 1 | BRKT,TREADMILL COVER |
| 82 | HS-11976 | 4 | SCREW SEMS,10-32X.38,EXT,ZN |
| 83 | HX-20843 | 1 | BUMPER, .85 X .64 X .25 THK W- |
| 89 | HS-22137 | 1 | BOLT, 1-4-14x1.25,HXHD WSHR,TY |
| 90 | PL-22129 | 1 | BRKT,POWER CORD STORAGE,PLASTI |
| 91 | EH-00986 | 1 | TY WRAP,T B TYB-25M 9 in |
| 200 | AF-19890 | 1 | WELDMENT,FRAME,7XXT Custom |
| 203 | AX-20331 | 1 | ASSY,TOP PLATFORM,LEFT |
| 204 | AX-20332 | 1 | ASSY,TOP PLATFORM,RIGHT |
| 205 | DE-20305 | 1 | DECAL,SAFETY WALK,750T |
| 324 | HS-41187 | 1 | SCREW SLFTP,8-16X.3125,PLASTITE |

751T Motors (Before D0507)



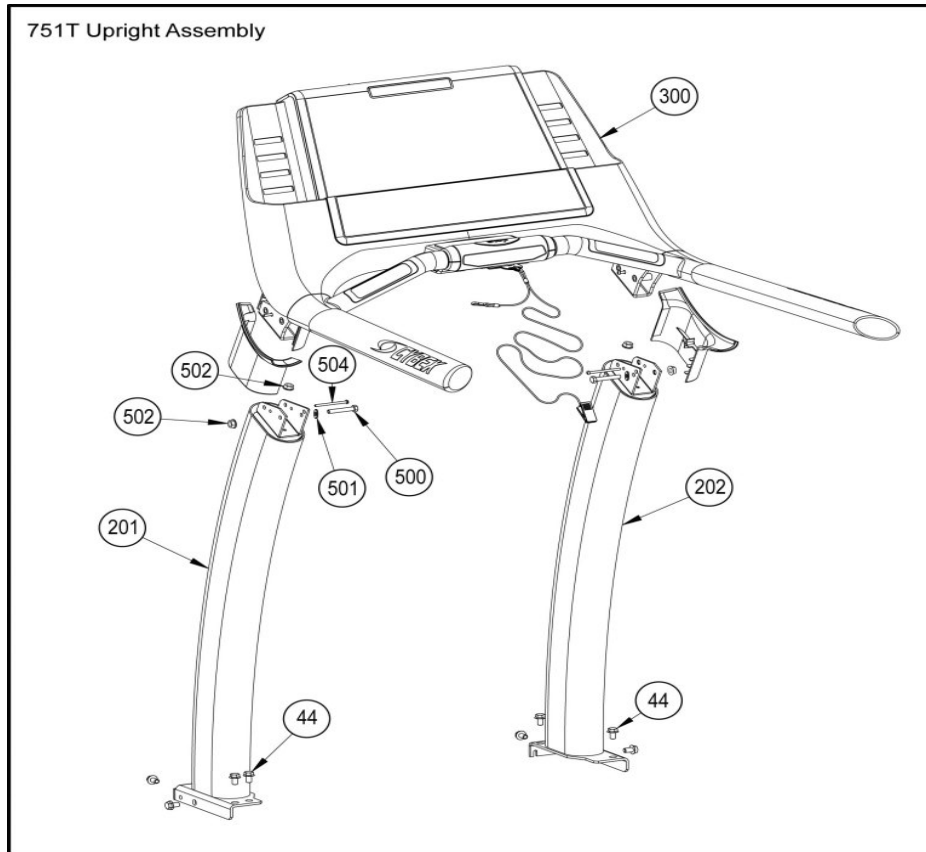
| Ref # | Part Number | Qty | Description |
|-------|-------------|-----|--------------------------------|
| 2 | AF-20052 | 1 | BRKT,MOTOR,MOUNTING,7XXT |
| 7 | AX-20094 | 1 | ASSY,ELEVATION,750T |
| 24 | FM-20096 | 2 | PIN,ELEVATION PIVOT |
| 29 | FT-16825 | 1 | SLEEVE,ELEVATION MOUNTING,TOP |
| 30 | FT-16826 | 1 | SLEEVE,ELEVATION MOUNTING,BTM |
| 32 | HB-20097 | 2 | BEARING,FLANGE,BRONZE,.625IDX. |
| 33 | HB-20098 | 2 | BEARING,THRUST,BRONZE,.623IDX1 |
| 34 | HN-11136 | 2 | KEPS 5/16-18 HEX STL ZINC |
| 35 | HN-17935 | 1 | NUT LOCK,3-8-24,GRD C,STL,ZN |
| 46 | HS-17936 | 1 | BOLT,3-8-24X2.0,HXHD CAP,G8,YE |
| 47 | HS-17937 | 1 | BOLT,3-8-24X2.75,HXHD CAP,G8,Y |
| 57 | HW-53017 | 2 | WSHR FLAT,5-16,SS,BO |
| 58 | HX-13771 | 2 | RING,RETAIN,5-8" .579 FR.ID |
| 84 | HN-60064 | 1 | NUT JAM 3-8IN.-16 BLK ZN |
| 85 | HS-60022 | 1 | BOLT,3-8X2.25,HXHD CAP,BLK ZN, |
| 86 | CW-16712 | 1 | WHEEL,3 in DIA X 1.25W,PLAIN B |
| 101 | MR-22239 | 1 | MOTOR,AC DRIVE 220V,3HP |
| 103 | MR-19993 | 1 | MOTOR,ELEVATION,230VAC 50-60HZ |
| 103 | MR-19992 | 1 | MOTOR,ELEVATION,115VAC 60HZ,7X |

751T Total Access Option



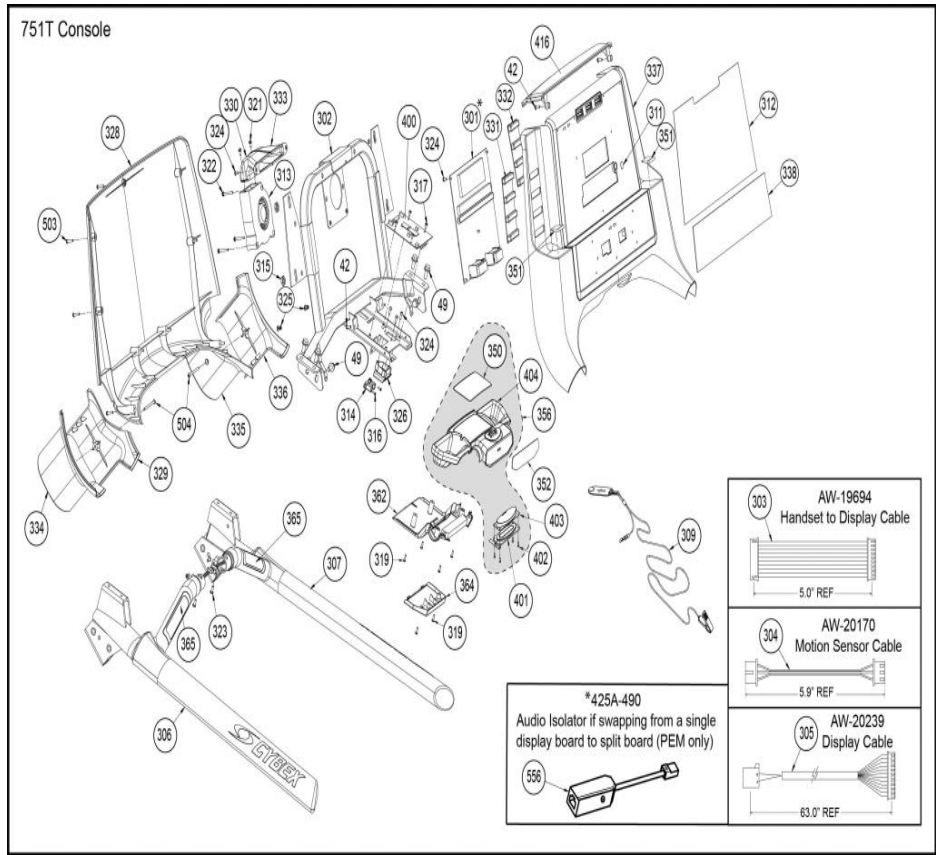
| Ref # | Part Number | Qty | Description |
|-------|-------------|-----|--------------------------------|
| 1 | DE-21936-4 | 1 | MASK,751T,ENUNCIATOR,IFI,ENG |
| 2 | SW-21893-4 | 1 | MEMBRANE,751T,BTM,ENG,IFI |
| 3 | AX-24103 | 1 | ASSY,LANYARD,ESTOP KEY |
| 4 | BD-20691 | 1 | BELT,RUNNING,IFI,21.88X61.75 |
| 5 | DK-20692 | 1 | DECK,RUNNING,IFI,29X53.50X1.02 |
| 6 | AX-20331 | 1 | ASSY,TOP PLATFORM,LEFT |
| 7 | AX-20332 | 1 | ASSY,TOP PLATFORM,RIGHT |

751T Upright Assembly



| Ref # | Part Number | Qty | Description |
|-------|-------------|-----|------------------------------------|
| 44 | HS-16929 | 4 | BOLT WHIZ LCK,3-8-16X.625,HXHD |
| 201 | AF-19921 | 1 | WELDMENT,UPRIGHT,LEFT,7XXT |
| 202 | AF-19922 | 1 | WELDMENT,UPRIGHT,RIGHT,7XXT |
| 300 | AC-21401 | 1 | CONSOLE ASSY,751T |
| 500 | HS-41050 | 2 | *BOLT,5-16-18X2.25,HXHD,G5,ZN |
| 501 | HW-24082 | 2 | WSHR,PLAIN,5-16X .88 X .075,STL,ZN |
| 502 | HN-42063 | 2 | NUT 5-16-18 FLANGED SS BO |
| 504 | HS-20361 | 2 | SCREW SLFTP 8-16X2-1/2in PLAST |

751T_console (D0402 to D0507)



| Ref # | Part Number | Qty | Description |
|-------|-------------|-----|---|
| 42 | HS-15706 | 10 | SCREW,8-16X.50,PNHD,STL,BLK ZN CLR,TYP WB |
| 49 | HS-19108 | 10 | SCREW 5-16-18X3-4LG,HXHD,WHIZ- |
| 301 | KAX-21473 | 1 | Repair Only / DDM, 751T |
| 302 | AF-21761 | 1 | WELDMNT,CONSOLE,750T |
| 303 | AW-19694 | 1 | CABLE,HANDSET TO DISPLAY |
| 304 | AW-20170 | 1 | CABLE,MOTION SENSOR,750T 760T Sensor Dynamics |
| 305 | AW-20239 | 1 | CABLE,750T 760T CONSOLE |
| 306 | AX-19936 | 1 | ASSY,HANDRAIL,LEFT,7XXT |
| 307 | AX-19941 | 1 | ASSY,HANDRAIL,RIGHT,7XXT |
| 309 | AX-24103 | 1 | ASSY,LANYARD,ESTOP KEY |
| 311 | DE-20364 | 1 | DIFFUSER, .60 OD DISC |
| 312 | DE-21184-4 | 1 | DECAL,751T CONSOLE TOP,ENG |
| 312 | DE-21184 | 1 | DECAL,751T CONSOLE TOP,INTL |
| 313 | EC-19706 | 1 | FAN,12VDC,120X120MM,CFM30 |
| 314 | EC-19974 | 1 | SENSOR,IR MOTION 20 TO 150CM |
| 315 | HN-20362 | 1 | NUT,SELF TREADING,3-8X11-16,ST |
| 316 | HS-10716 | 10 | SCREW,4-40X0.38,PNHD PHIL |
| 317 | HS-14391 | 10 | SCREW SEMS,6-32X.38 PNHD PHIL |
| 319 | HS-18320 | 10 | SCREW,6-19X1-2 in,PNHD PHIL,ZN |
| 321 | HS-20367 | 10 | SCREW SEMS,M4X10MM,PNHD PHIL,S |
| 322 | HS-20399 | 10 | SCREW SEMS,8-32X1.25,PNHD PHIL |
| 323 | HS-41006 | 10 | SCREW SLFTP,10-24X.5,PNHD |

| Ref # | Part Number | Qty | Description |
|-------|-------------|-----|---------------------------------|
| | | | PHIL,410SS,HRDBO,WAX,TT |
| 324 | HS-41187 | 10 | SCREW SLFTP,8-16X.3125,PLASTITE |
| 325 | HX-20360 | 1 | INSERT,EXPANSION,PLASTIC,#8-#1 |
| 326 | PL-20143 | 1 | HOUSING,E-STOP |
| 328 | PL-20210 | 1 | CONSOLE,BACK PANEL |
| 329 | PL-20211 | 1 | CONSOLE,JUNCTION COVER,INNER L |
| 330 | PL-20218 | 1 | DUCT,FAN,RIGHT |
| 331 | PL-20274 | 1 | ISOLATOR,WATER BOTTLE,LEFT |
| 332 | PL-20275 | 1 | ISOLATOR,WATER BOTTLE,RIGHT |
| 333 | PL-20340 | 1 | DUCT,FAN,LEFT |
| 334 | PL-20355 | 1 | COVER,JUNCTION,CONSOLE,OUTER,L |
| 335 | PL-20356 | 1 | COVER,JUNCTION,CONSOLE,INNER,R |
| 336 | PL-20357 | 1 | COVER,JUNCTION,CONSOLE,OUTER,R |
| 337 | PL-20550 | 1 | CONSOLE FRONT,7XXT |
| 338 | SW-21183 | 1 | KeyPad 751T BOT |
| 350 | DE-20735 | 1 | Decal, Warning, 7XXT, |
| 351 | HX-21246 | 1 | INSERT,MOLDED BOTTLE STABILIZE |
| 352 | DE-21596 | 1 | LABEL,AV BLANK,750T |
| 356 | AX-21798 | 1 | ASSY,HANDSET,TOP W-TABS |
| 362 | PL-21792 | 1 | COVER,HANDSET BOTTOM |
| 364 | PL-21794 | 1 | COVER,HANDSET NON AV MODULE |
| 365 | KAW-20820 | 1 | KIT,C-HR REPLACEMENT CONTACT G |
| 400 | AD-21736 | 1 | PCA,751T UNIVERSAL HANDSET |
| 401 | AX-22219 | 1 | BUTTON,STOP,ENHANCED |
| 402 | HS-20553 | 10 | SCREW,4X3-8,SLFTP,PNHD,PHIL,ZN |
| 403 | PL-20549 | 10 | |
| 404 | PL-21791 | 1 | COVER,HANDSET TOP |
| 416 | PL-20278 | 1 | CONSOLE, TOP CAP |
| 503 | HS-18311 | 10 | SCREW,8-16X.75,PNHD PHIL,STL,B |
| 504 | HS-20361 | 10 | SCREW SLFTP 8-16X2-1/2in PLAST |
| 556 | 425A-490 | 1 | Isolator C-Safe Signal |

