

TREADMILL, 750T,BLUE

750T-06

Parts Manual

1/5/2019 5:19:23 AM



Table of Contents

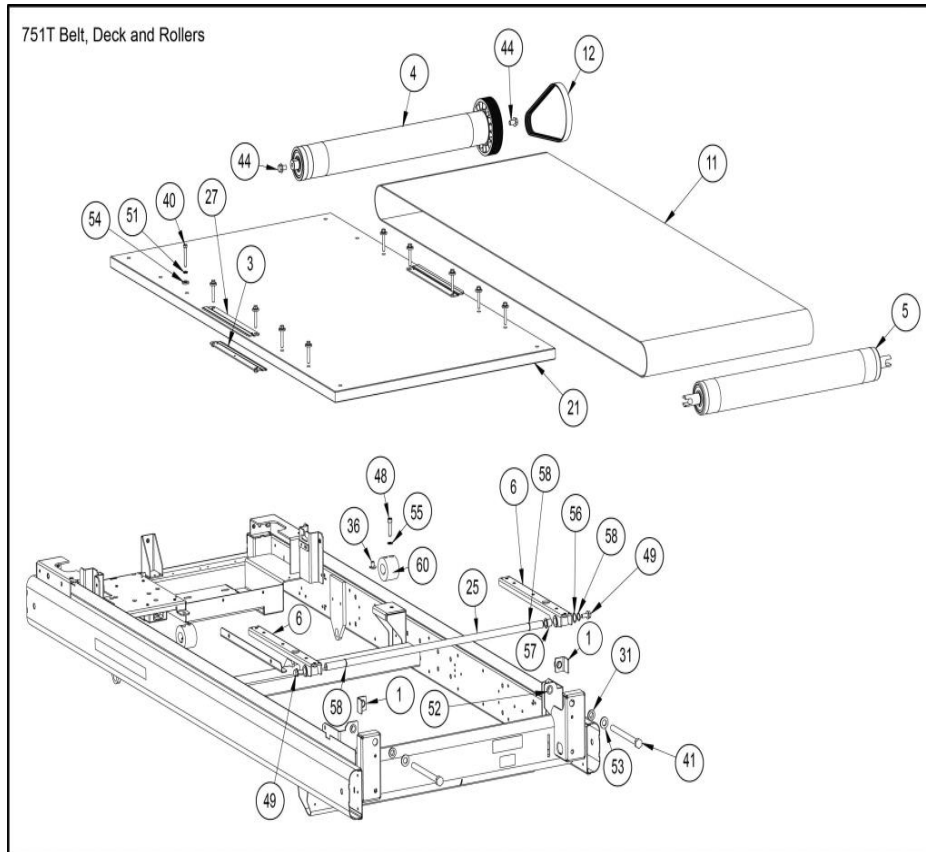
750T Service Kits (D0402 to Current)	3
751T Belt Deck Rollers	4
751T Console AV (D0508 to D1216)	6
751T Controller Assembly	8
751T Frame (D0508 to Current)	10
751T Motors (D0508 to Current)	12
751T Total Access Option	13
751T Upright Assembly	14
751T console (D0508 to D1216)	15

750T Service Kits (D0402 to Current)



Ref #	Part Number	Qty	Description
300	AC-21401	1	CONSOLE ASSY,751T
301	KAX-21473	1	Repair Only / DDM, 751T
356	AX-21798	1	ASSY,HANDSET, TOP W-TABS
415	KAD-21926	1	KIT,HANDSET PEM JACK BOARD REP
-	750T-009	1	PEM UPGRADE,750T TREADMILL
-	KMR-20818	1	KIT,FAN REPLACEMENT,PCB MOTOR
-	SK-17367	1	SERVICE KIT,ADAPTER & CABLE,FL
-	KCP-21286	1	SERVICE KIT,MONITOR MOUNTING H
-	KAW-20820	1	KIT,C-HR REPLACEMENT CONTACT G
-	KHX-21337	1	KIT,MOLDED BOTTLE STABILIZER I

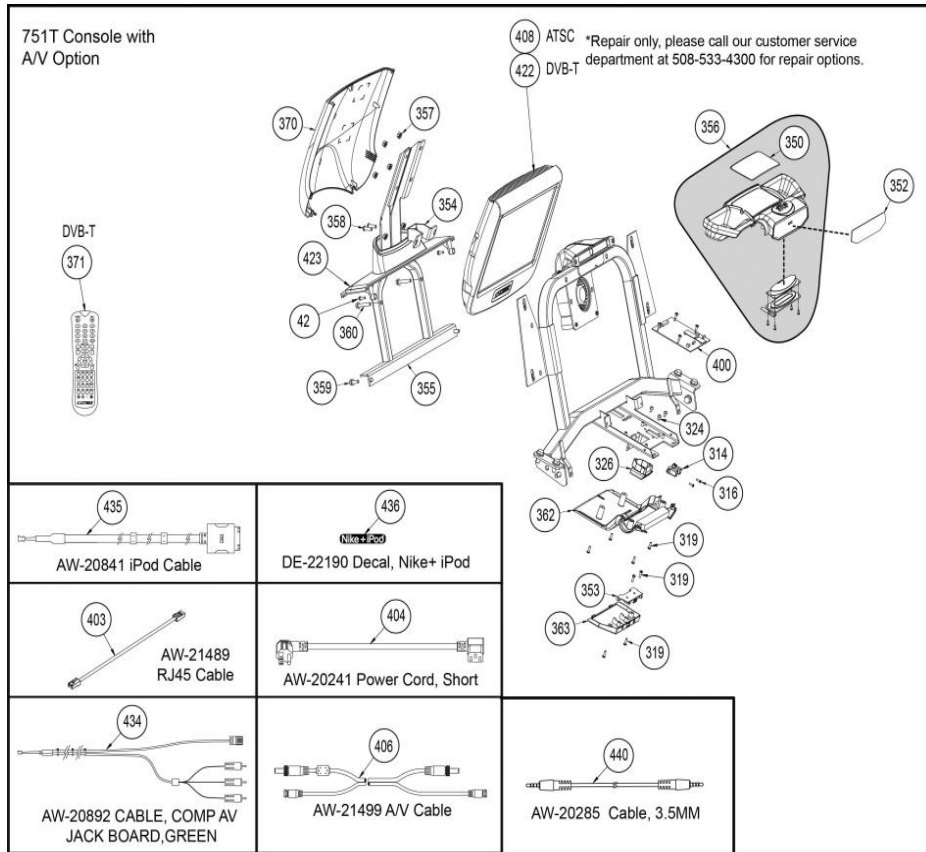
751T Belt Deck Rollers



Ref #	Part Number	Qty	Description
1	AF-19988	1	NUT,ROLLER,REAR FRONT,7XXT
3	AF-20206	1	CLAMP,LOWER, TOP STEP,7XXT
4	AL-19740	1	ROLLER ASSY,FRONT,7XXT
5	AL-19741	1	ROLLER ASSY,REAR,7XXT
6	AX-20035	1	ASSY,DECK PIVOT BRACKET
11	BD-19889	1	BELT,RUNNING,21.88X61.75
12	BD-20049	1	BELT,DRIVE 8PJ637 EJ161
21	ODK-20024	1	DECK,RUNNING, 29.00 X 53.05
25	FM-20099	1	SHAFT,DECK PIVOT,7XXT
27	FS-20031	1	PLATE,RETAINER,UPPER, TOP STEP,
31	HB-16367	2	BUSHING .50IDX.62ODX.31LG,FLAN
36	HN-20041	2	NUT,1-4-20 PROPELLER .305 OD
40	HS-12295	8	BOLT,1-4-20X1.75,HXHD,G5,ZN
41	HS-15480	2	BOLT TAP,1-2-13X6,HXHD,G5
44	HS-16929	2	BOLT WHIZ LCK,3-8-16X.625,HXHD
47	HS-17937	1	BOLT,3-8-24X2.75,HXHD CAP,G8,Y
48	HS-18358	2	BOLT,5-16-18X.1.25,SCHD CAP,BL
49	HS-19108	1	SCREW 5-16-18X3-4LG,HXHD,WHIZ-
51	HW-00180	8	WSHR LOCK SPLIT 1-4,SST,BLK PASSIVATE
52	HW-00590	1	BUSHING,NYLON,1-2 in
53	HW-10028	2	WSHR B 1-2 NARROW ZINC
54	HW-18123	8	WSHR,.344IDX.75 ODX.125THK,HAR

Ref #	Part Number	Qty	Description
55	HW-20044	2	WSHR,BELLEVILLE,15X8.2X1.0MM,.
56	HW-20089	1	WASHER,WAVE, .650ID X .855 OD
57	HB-18768	1	BEARING,IGUS LF-1011-12
58	HX-13771	1	RING,RETAIN,5-8" .579 FR.ID
60	HX-19991	2	BUMPER,SPRING DECK,2.10X2.34X1

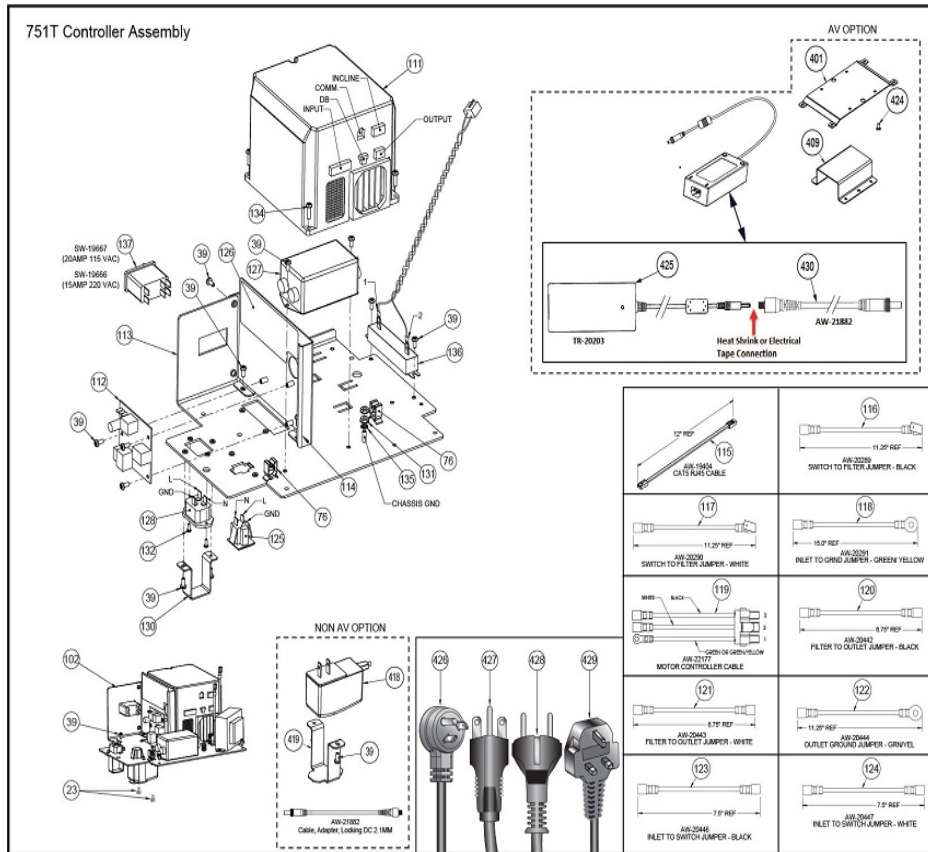
751T Console AV (D0508 to D1216)



Ref #	Part Number	Qty	Description
42	HS-15706	4	SCREW,8-16X.50,PNHD,STL,BLK ZN CLR,TYP WB
314	EC-19974	1	SENSOR,IR MOTION 20 TO 150CM
316	HS-10716	4	SCREW,4-40X0.38,PNHD PHIL
319	HS-18320	4	SCREW,6-19X1-2 in,PNHD PHIL,ZN
324	HS-41187	4	SCREW SLFTP,8-16X.3125,PLASTITE
326	PL-20143	1	HOUSING,E-STOP
350	DE-20735	1	Decal, Warning, 7XXT,
352	DE-21596	1	LABEL,AV BLANK,750T
352	SW-20813	1	Keypad, AV 750CR
353	AD-20840	1	PCA,PEM JACK BOARD
354	AF-21482	1	BRACKET,AV,LOWER,750T
355	AF-21760	1	WELDMENT,AV,750T
356	AX-21798	1	ASSY,HANDSET, TOP W-TABS
357	HN-60089	1	NUT FLANGED WHIZ LOCK 1-4-20
358	HS-11347	2	BOLT,1-4-20X0.75,SCHD BTN,BLK
359	HS-12083	2	BOLT LCK,1-4-20X.625
360	HS-13739	2	BOLT LCK,1-4-20X1.25,G5
362	PL-21792	1	COVER,HANDSET BOTTOM
363	PL-21793	1	COVER,HANDSET AV MODULE
370	PL-21856	1	COVER,REMOVABLE REAR,DIGITAL P
371	CP-21531	1	NLA: REMOTE CONTROL,HANDSET,DIGITAL
400	AD-21736	1	PCA,751T UNIVERSAL HANDSET

Ref #	Part Number	Qty	Description
403	AW-21489	1	CABLE CAT5E 24 in PATCH BLUE
404	AW-20241	1	POWER CORD,IEC NEMA 5-15 SHORT
406	AW-21499	1	CABLE,LOCKING RF & DC POWER CABLE,2795MM
408	RACP-22564	1	NC R&R RE-MFG MONITOR 15.6in ATSC NTS
423	PL-21178	1	CONSOLE TOP,W-AV
434	AW-20892	1	CABLE, COMP AV JACK BOARD,GREEN
435	AW-20841	1	CABLE,IPOD
436	DE-22190	1	LABEL,NIKE+ IPOD
440	AW-20285	1	CABLE,3.5MM AV 1:1

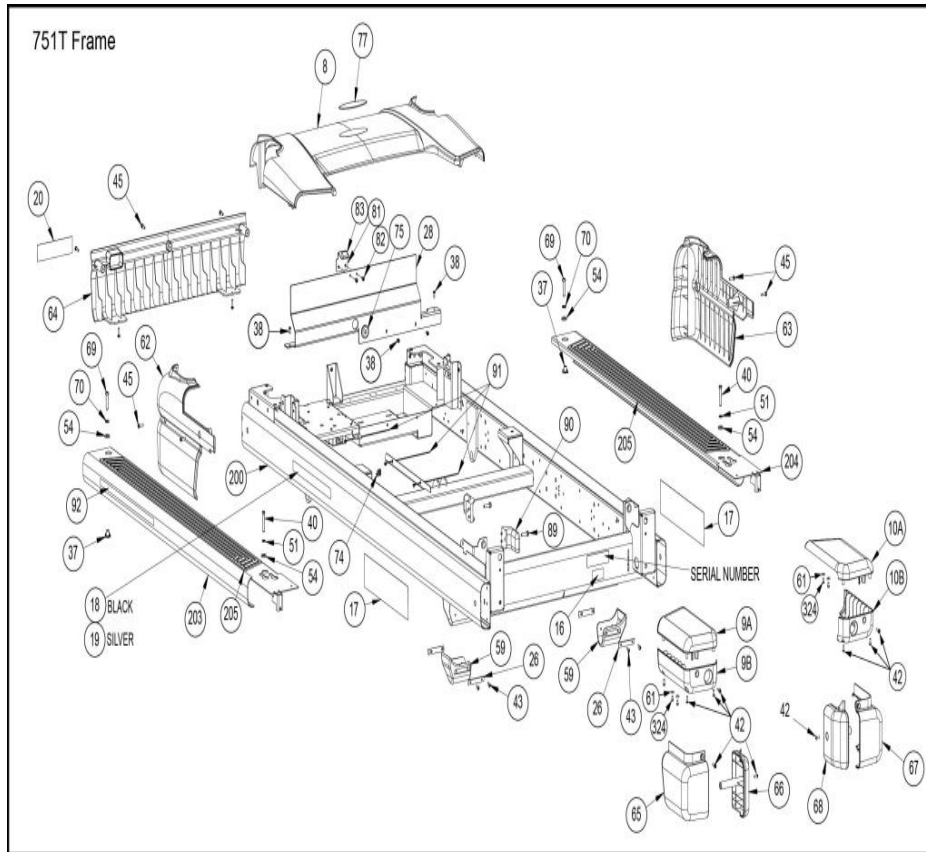
751T Controller Assembly



Ref #	Part Number	Qty	Description
23	EH-10291	1	TY WRAP BASE
39	HS-11977	4	SCREW SEMS,8-32X.38,PNHD PHIL,EXT,STL,BLK ZN
76	EH-20244	1	*CLIP,WIRE RETAINER,.24-.47"DI
102	AX-20235	1	NLA: SUB ASSY,7XXT 110V CONTROLLER
102	AX-20237	1	SUB ASSY,7XXT 230V 50HZ CONTRO
102	AX-20236	1	NLA: SUB ASSY,7XXT 220V CONTROLLER
111	KAD-23125	1	Kit, PCA Drive 7XXT, 115v
111	PKAD-22222	1	KIT,230V TM5 GOLD PLATED REPLA
112	AD-21879	1	PCA,HUB BOARD,LOCKING
113	AF-20123	1	PLATE,SWITCHES,7XXT
114	AF-20234	1	BRACKET,CONTROLLER PCB,7XXT
115	AW-19404	1	CABLE,CAT5 RJ45 FLAT PATCH 12i
116	AW-20289	1	WIRE,INLET TO SWITCH FILTER JU
117	AW-20290	1	WIRE,SWITCH TO FILTER JUMPER,W
118	AW-20291	1	WIRE,INLET TO GRND JUMPER,GREE
119	AW-22177	1	CABLE,MOTOR CONTROLLER, AU PLA
120	AW-20442	1	WIRE,FILTER TO OUTLET JUMPER,B
121	AW-20443	1	WIRE,FILTER TO OUTLET JUMPER,W
122	AW-20444	1	WIRE,OUTLET GRND JUPER,GREEN-Y
123	AW-20446	1	WIRE,INLET TO SWITCH JUMPER,BL
124	AW-20447	1	WIRE,INLET TO SWITCH JUMPER,WH
125	CN-20252	1	PLUG,NEMA 5-15R,SNAP FIT,FLUSH

Ref #	Part Number	Qty	Description
126	DE-20558	1	LABEL,HUB BOARD
127	EC-18896	1	FILTER,16A
128	EH-12208	1	INLET IEC 320 16-20 AMP
130	FS-20232	1	BRKT,POWER CORD RETAINER,7XXT
131	HN-11925	1	KEPS,10-32 HEX STL ZN
132	HS-10405	1	SCREW,4-40X.25,PNHD PHIL
134	HS-15732	1	SCREW SEMS,8-32UNCX.62,PNHD PHIL,ZN
135	HW-10856	1	WSHR,LOCK EXT NO10 ZC
136	RE-23040	1	RESISTOR,TM5 DYNAMIC BRAKE,7.5
137	SW-19667	1	SWITCH,THERMAL CB,20AMP 240V,R
137	SW-19666	1	SWITCH,THERMAL CB,15AMP 240V,R
401	AF-20137	1	BRKT,AV POWER SUPPLY, 7XXT
409	FS-20300	1	STRAP,AV POWER SUPPLY
418	TR-21881	1	POWER SUPPLY,12V FAN LOCKING D
419	FS-20233	1	BRACKET,FAN POWER SUPPLY RETAI
424	HS-11894	1	SCREW SEMS,6-32X.25,PNHD PHIL,
425	TR-20203	1	POWER SUPPLY,12VDC,12-24VAC,6.
426	AW-20280	1	POWER CORD,115V,20A,60HZ
427	AW-20281	1	POWER CORD,220V 15A,60HZ
428	AW-20282	1	POWER CORD,230V,16A,50HZ
429	AW-20283	1	POWER CORD,UK,230V,13A,50HZ
430	AW-21882	1	CABLE,ADAPTER,LOCKING DC 2.1MM

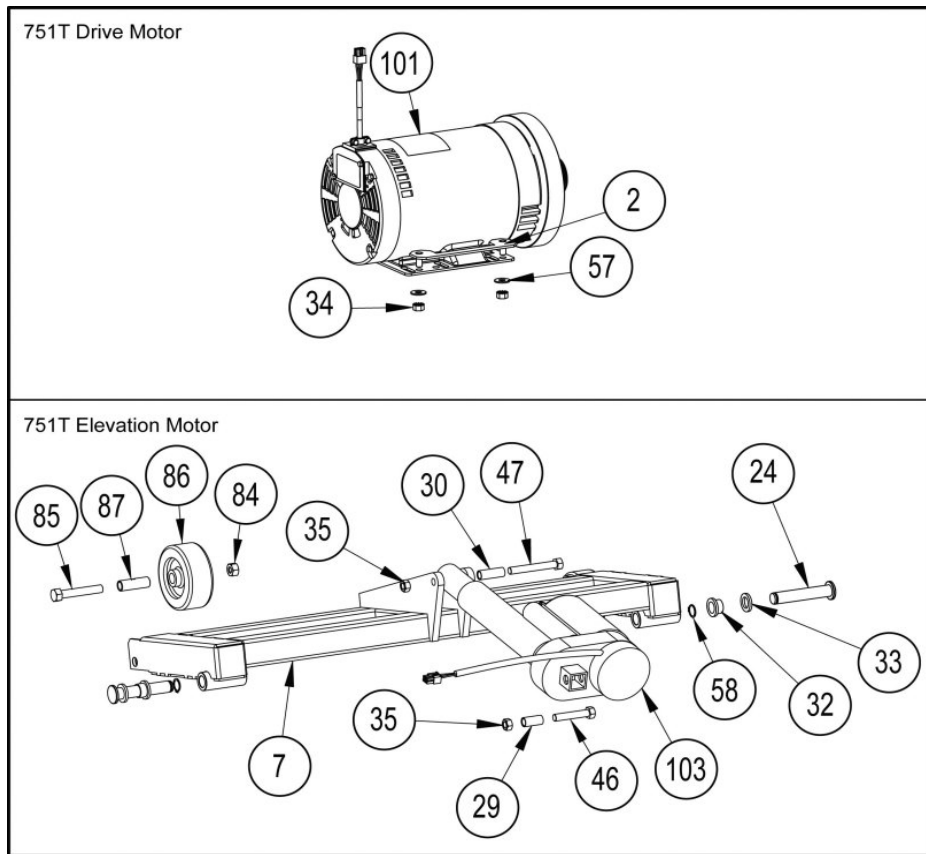
751T Frame (D0508 to Current)



Ref #	Part Number	Qty	Description
8	AX-20383	1	ASSY,MOTOR COVER,7XXT
9A	PL-20268	1	COVER,REAR,TOP STEP UPPER,LEFT
9B	PL-20267	1	COVER,REAR,TOP STEP LOWER,LEFT
10B	PL-20271	1	COVER,REAR,TOP STEP LOWER,RIGHT
10A	PL-20272	1	COVER,REAR,TOP STEP UPPER,RIGHT
16	DE-18413	1	DECAL,ETL AND CSA
17	DE-19360	1	DECAL,CYBEX,BLACK
18	DE-20392	1	NLA: DECAL,750T,BLACK
19	DE-20393	1	NLA: DECAL,750T,SILVER
20	DE-20427	1	LABEL,DISCONNECT POWER W RUSSI
26	FS-16511	4	PLATE,REAR RUBBER FOOT MNT
28	FS-20109	1	SHIELD,SPLASH 7XXT
37	HN-20693	4	NUT,TEE,5-16-18,1-2in BARREL,4
38	HS-11977	1	SCREW SEMS,8-32X.38,PNHD PHIL,EXT,STL,BLK ZN
40	HS-12295	4	BOLT,1-4-20X1.75,HXHD,G5,ZN
42	HS-15706	8	SCREW,8-16X.50,PNHD,STL,BLK ZN CLR,TYP WB
43	HS-16509	8	SCREW SLFTP,10X.5,PNHD,PLT,TYP
45	HS-16939	8	SCREW SEMS,10-32X.75,PNHD,BLK
51	HW-00180	1	WSHR LOCK SPLIT 1-4,SST,BLK PASSIVATE
54	HW-18123	4	WSHR,.344IDX.75 ODX.125THK,HAR
59	HX-16510	1	FOOT,RUBBER,REAR
61	HW-13656	1	WASHER FLAT .187IDX.875ODX.06

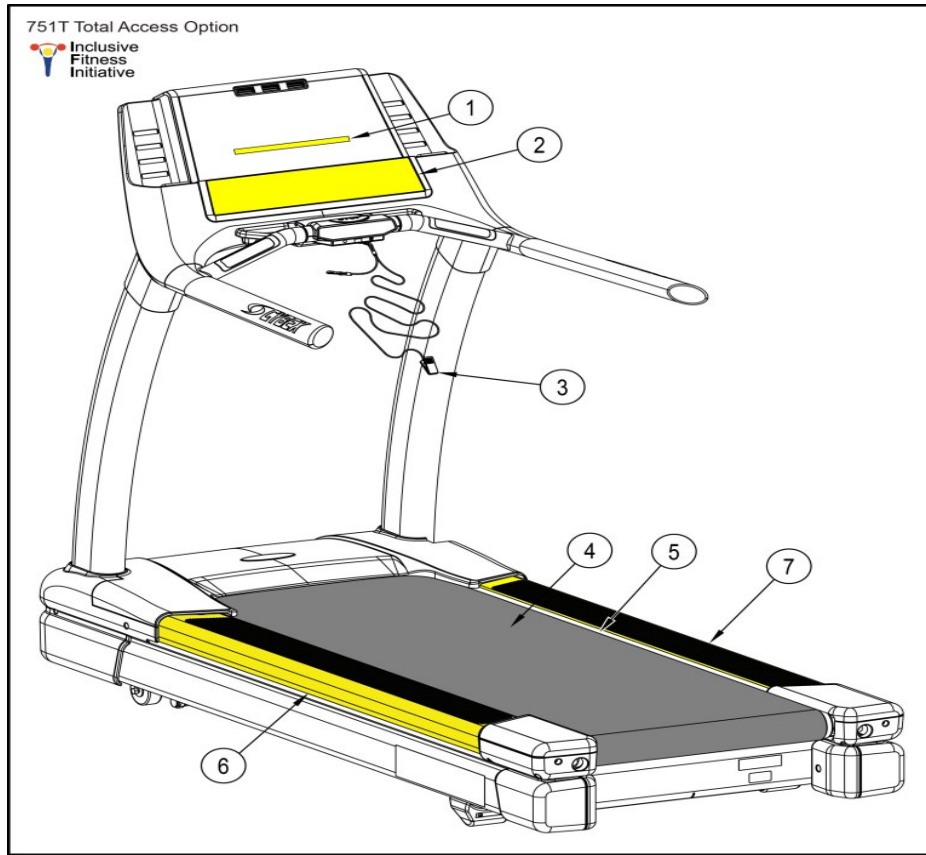
Ref #	Part Number	Qty	Description
62	PL-20262	1	COVER,LEFT SIDE FRONT,7XXT
63	PL-20263	1	COVER,RIGHT SIDE FRONT,7XXT
64	PL-20264	1	COVER,FRONT,7XXT
65	PL-20265	1	COVER,REAR,FRAME OUTER,LEFT
66	PL-20266	1	COVER,REAR,FRAME INNER,LEFT
67	PL-20269	1	COVER,REAR,FRAME OUTER,RIGHT
68	PL-20270	1	COVER,REAR,FRAME INNER,RIGHT
69	HS-41107	4	BOLT,5-16-18X1.5,BTHD,SST,BLK
70	HW-00165	4	WSHR SPLIT LOCK 5-16 ZINC
74	EH-20254	1	CLIP,WIRE RETAINER,.24-.47"DIA
75	HX-20248	1	GROMMET,RUBBER,1.12"DIA
77	DE-19198	1	DECAL,CYBEX LOGO Empire screen
81	AF-20842	1	BRKT,TREADMILL COVER
82	HS-11976	1	SCREW SEMS,10-32X.38,EXT,ZN
83	HX-20843	1	BUMPER, .85 X .64 X .25 THK W-
89	HS-22137	1	BOLT, 1-4-14x1.25,HXHD WSHR,TY
90	PL-22129	1	BRKT,POWER CORD STORAGE,PLASTI
91	EH-00986	1	TY WRAP,T B TYB-25M 9 in
92	DE-22327	1	LABEL,BLACK,INTELLIGENT SUSPENSION 3
92	DE-22328	1	LABEL,SILVER,INTELLIGENT SUSPENSION 3
200	AF-19890	1	WELDMENT,FRAME,7XXT Custom
203	AX-20331	1	ASSY,TOP PLATFORM,LEFT
204	AX-20332	1	ASSY,TOP PLATFORM,RIGHT
205	DE-20305	1	DECAL,SAFETY WALK,750T
324	HS-41187	1	SCREW SLFTP,8-16X.3125,PLASTITE

751T Motors (D0508 to Current)



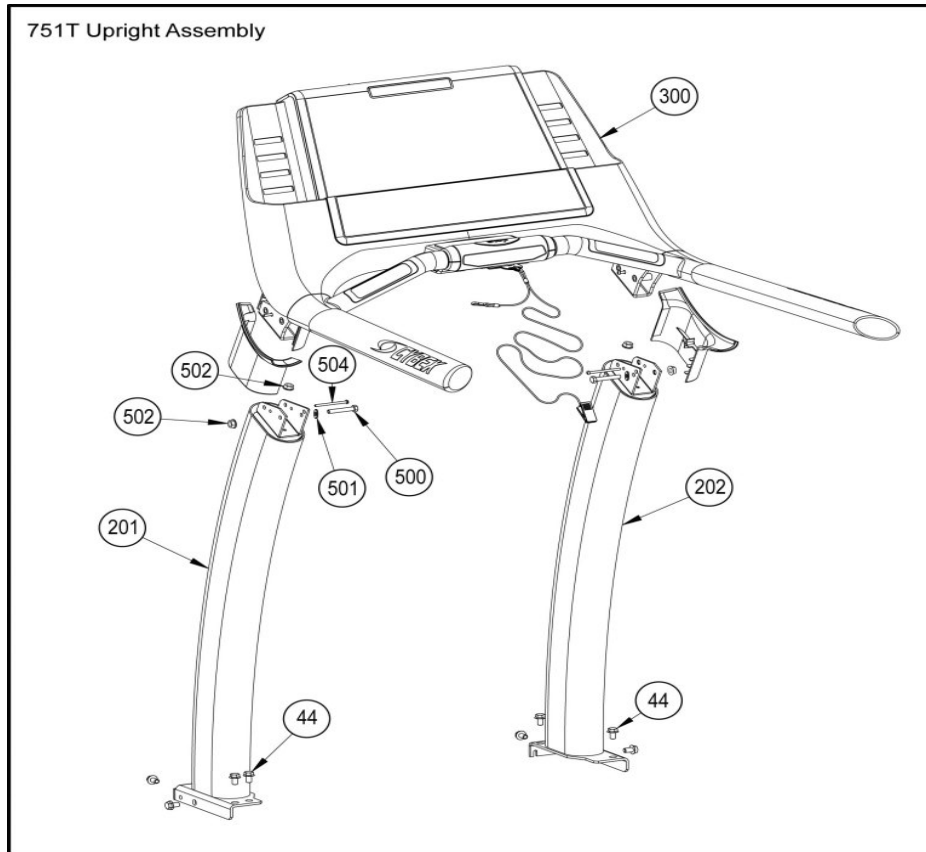
Ref #	Part Number	Qty	Description
2	AF-20052	1	BRKT,MOTOR,MOUNTING,7XXT
7	AX-20094	1	ASSY,ELEVATION,750T
24	FM-20096	2	PIN,ELEVATION PIVOT
29	FT-16825	1	SLEEVE,ELEVATION MOUNTING,TOP
30	FT-16826	1	SLEEVE,ELEVATION MOUNTING,BTM
32	HB-20097	2	BEARING,FLANGE,BRONZE,.625IDX.
33	HB-20098	2	BEARING,THRUST,BRONZE,.623IDX1
34	HN-11136	2	KEPS 5/16-18 HEX STL ZINC
35	HN-17935	1	NUT LOCK,3-8-24,GRD C,STL,ZN
46	HS-17936	1	BOLT,3-8-24X2.0,HXHD CAP,G8,YE
47	HS-17937	1	BOLT,3-8-24X2.75,HXHD CAP,G8,Y
57	HW-53017	2	WSHR FLAT,5-16,SS,BO
58	HX-13771	2	RING,RETAIN,5-8" .579 FR.ID
84	HN-60064	1	NUT JAM 3-8IN.-16 BLK ZN
85	HS-60022	1	BOLT,3-8X2.25,HXHD CAP,BLK ZN,
86	CW-22240	1	WHEEL,80MM DIA X 32MM W
87	HX-22247	1	BUSHING,SPANNER,.500 OD X 1.5i
101	MR-22239	1	MOTOR,AC DRIVE 220V,3HP
103	MR-19992	1	MOTOR,ELEVATION,115VAC 60HZ,7X
103	MR-19993	1	MOTOR,ELEVATION,230VAC 50-60HZ

751T Total Access Option



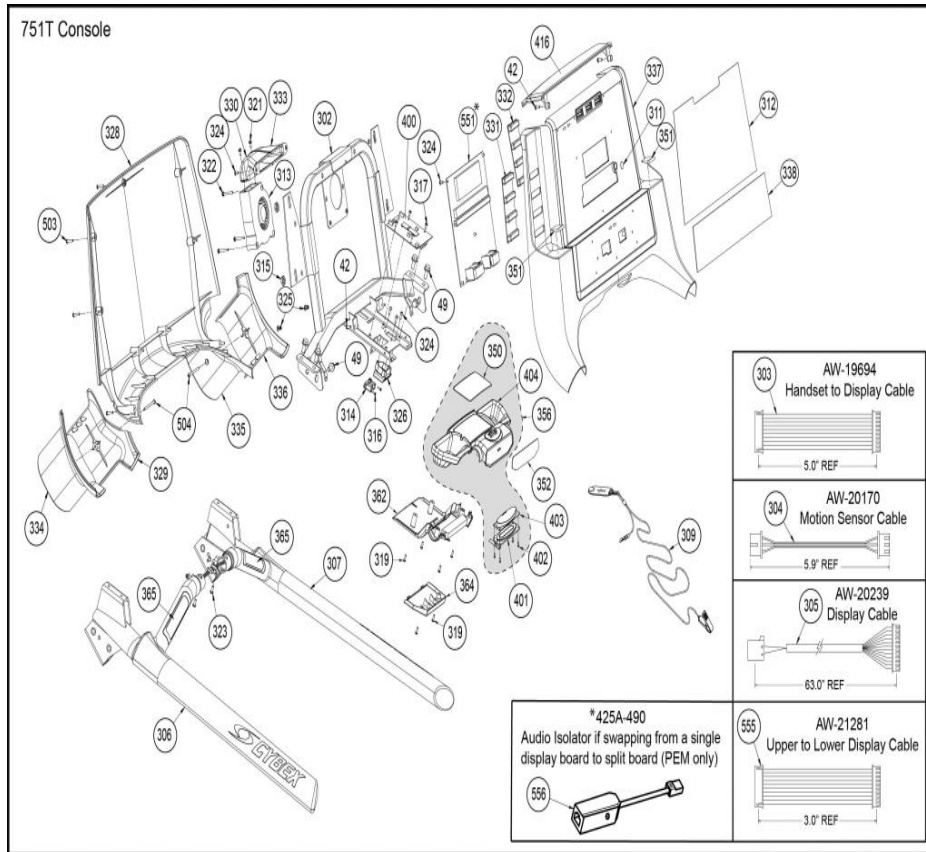
Ref #	Part Number	Qty	Description
1	DE-21936-4	1	MASK,751T,ENUNCIATOR,IFI,ENG
2	SW-21893-4	1	MEMBRANE,751T,BTM,ENG,IFI
3	AX-24103	1	ASSY,LANYARD,ESTOP KEY
4	BD-20691	1	BELT,RUNNING,IFI,21.88X61.75
5	DK-20692	1	DECK,RUNNING,IFI,29X53.50X1.02
6	AX-20331	1	ASSY,TOP PLATFORM,LEFT
7	AX-20332	1	ASSY,TOP PLATFORM,RIGHT

751T Upright Assembly



Ref #	Part Number	Qty	Description
44	HS-16929	4	BOLT WHIZ LCK,3-8-16X.625,HXHD
201	AF-19921	1	WELDMENT,UPRIGHT,LEFT,7XXT
202	AF-19922	1	WELDMENT,UPRIGHT,RIGHT,7XXT
300	AC-21401	1	CONSOLE ASSY,751T
500	HS-41050	2	*BOLT,5-16-18X2.25,HXHD,G5,ZN
501	HW-24082	2	WSHR,PLAIN,5-16X .88 X .075,STL,ZN
502	HN-42063	2	NUT 5-16-18 FLANGED SS BO
504	HS-20361	2	SCREW SLFTP 8-16X2-1/2in PLAST

751T_console (D0508 to D1216)



Ref #	Part Number	Qty	Description
42	HS-15706	10	SCREW,8-16X.50,PNHD,STL,BLK ZN CLR,TYP WB
49	HS-19108	10	SCREW 5-16-18X3-4LG,HXHD,WHIZ-
302	AF-21761	1	WELDMNT,CONSOLE,750T
303	AW-19694	1	CABLE,HANDSET TO DISPLAY
304	AW-20170	1	CABLE,MOTION SENSOR,750T 760T Sensor Dynamics
305	AW-20239	1	CABLE,750T 760T CONSOLE
306	AX-19936	1	ASSY,HANDRAIL,LEFT,7XXT
307	AX-19941	1	ASSY,HANDRAIL,RIGHT,7XXT
309	AX-24103	1	ASSY,LANYARD,ESTOP KEY
311	DE-20364	1	DIFFUSER, .60 OD DISC
312	DE-21184	1	DECAL,751T CONSOLE TOP,INTL
312	DE-21184-4	1	DECAL,751T CONSOLE TOP,ENG
313	EC-19706	1	FAN,12VDC,120X120MM,CFM30
314	EC-19974	1	SENSOR,IR MOTION 20 TO 150CM
315	HN-20362	1	NUT,SELF TREADING,3-8X11-16,ST
316	HS-10716	10	SCREW,4-40X0.38,PNHD PHIL
317	HS-14391	10	SCREW SEMS,6-32X.38 PNHD PHIL
319	HS-18320	10	SCREW,6-19X1-2 in,PNHD PHIL,ZN
321	HS-20367	10	SCREW SEMS,M4X10MM,PNHD PHIL,S
322	HS-20399	10	SCREW SEMS,8-32X1.25,PNHD PHIL
323	HS-41006	10	SCREW SLFTP,10-24X.5,PNHD PHIL,410SS,HRDBO,WAX,TT

Ref #	Part Number	Qty	Description
324	HS-41187	10	SCREW SLFTP,8-16X.3125,PLASTITE
325	HX-20360	1	INSERT,EXPANSION,PLASTIC,#8-#1
326	PL-20143	1	HOUSING,E-STOP
328	PL-20210	1	CONSOLE,BACK PANEL
329	PL-20211	1	CONSOLE,JUNCTION COVER,INNER L
330	PL-20218	1	DUCT,FAN,RIGHT
331	PL-20274	1	ISOLATOR,WATER BOTTLE,LEFT
332	PL-20275	1	ISOLATOR,WATER BOTTLE,RIGHT
333	PL-20340	1	DUCT,FAN,LEFT
334	PL-20355	1	COVER,JUNCTION,CONSOLE,OUTER,L
335	PL-20356	1	COVER,JUNCTION,CONSOLE,INNER,R
336	PL-20357	1	COVER,JUNCTION,CONSOLE,OUTER,R
337	PL-20550	1	CONSOLE FRONT,7XXT
338	SW-21183	1	KeyPad 751T BOT
350	DE-20735	1	Decal, Warning, 7XXT,
351	KHX-21337	1	KIT,MOLDED BOTTLE STABILIZER I
352	DE-21596	1	LABEL,AV BLANK,750T
356	AX-21798	1	ASSY,HANDSET,TOP W-TABS
362	PL-21792	1	COVER,HANDSET BOTTOM
364	PL-21794	1	COVER,HANDSET NON AV MODULE
365	KAW-20820	1	KIT,C-HR REPLACEMENT CONTACT G
400	AD-21736	1	PCA,751T UNIVERSAL HANDSET
401	AX-22219	1	BUTTON,STOP,ENHANCED
402	HS-20553	1	SCREW,4X3-8,SLFTP,PNHD,PHIL,ZN
403	PL-20549	1	
404	PL-21791	1	COVER,HANDSET TOP
416	PL-20278	1	CONSOLE, TOP CAP
503	HS-18311	10	SCREW,8-16X.75,PNHD PHIL,STL,B
504	HS-20361	10	SCREW SLFTP 8-16X2-1/2in PLAST
551	KAX-21473	1	Repair Only / DDM, 751T
555	AW-21281	1	CABLE, DISPLAY UPPER TO LOWER
556	425A-490	1	Isolator C-Safe Signal

