

ARC TRAINER 770 LOWER BODY

770A-E3-01

Parts Manual

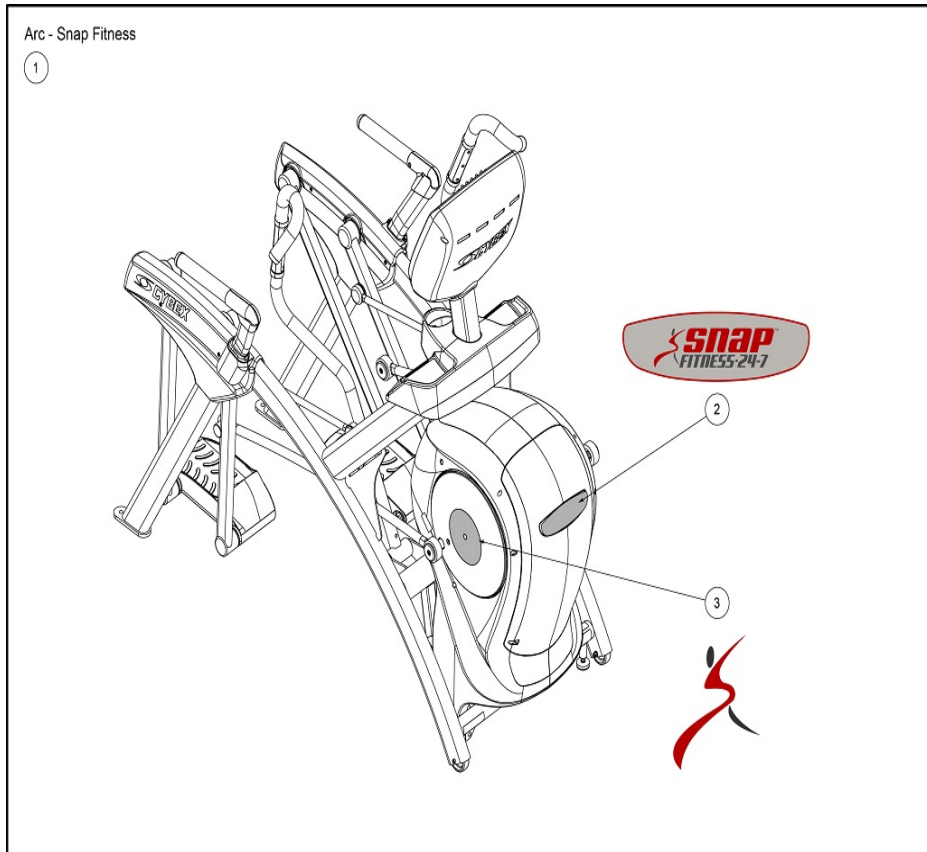
1/5/2019 5:20:50 AM



Table of Contents

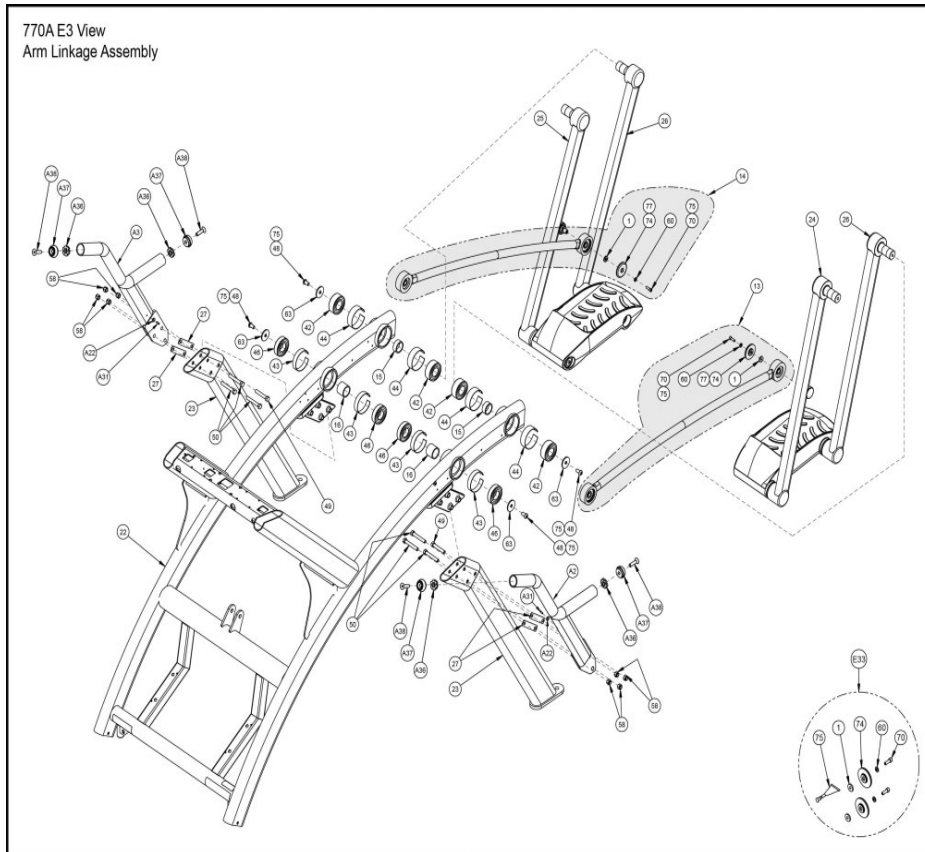
Arc - SnapFitness	3
Arm Linkage Assembly	4
Console Tray Assembly	6
Console Wedlement with Grips	7
Drive Frame Assembly	8
Foot Plate Assembly	10
Hardware Manual and Power Cords	11
Lower Electronics	13
Rear Cover	14
Shroud Assembly	15
750A Linkage Assembly	16
750 Arc - You Fit	17
770A/771A E3 View - Console Assembly (Before J1102)	18
770A/771A E3 View - Console Cables (Before J1102)	20
770 Arc Drive Frame Detail	21

Arc - SnapFitness



Ref #	Part Number	Qty	Description
1	625A-060S	1	BRANDING PACKAGE S, SNAP FITNESS
2	750A-410	1	Decal Logo Snap Fitness
3	630A-335	2	DECAL SNAP FITNESS RUNNING MAN 10.00

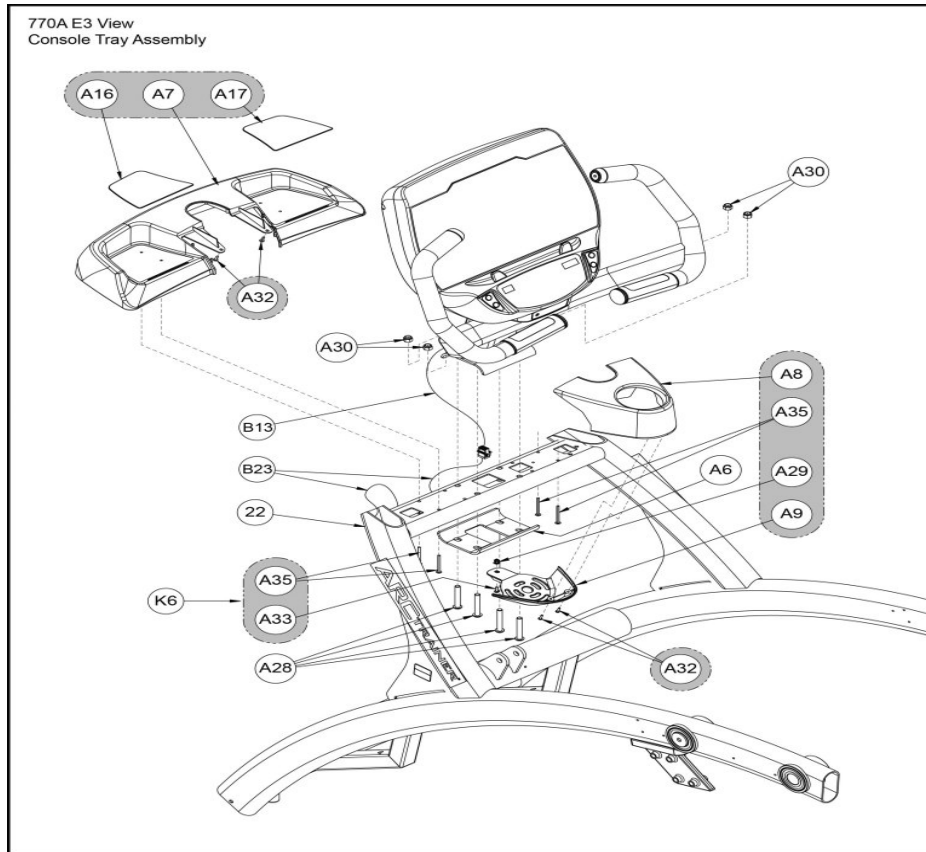
Arm Linkage Assembly



Ref #	Part Number	Qty	Description
1	600A-311	3	SPACER FLANGE
A2	625A-202	1	W/ SIDE HANDLE, LH
A3	625A-203	1	W/ SIDE HANDLE, RH
13	750AK006	1	KIT, LINKAGE ROD LEFT
14	750AK007	1	KIT, LINKAGE ROD RIGHT
15	750A-312	3	Tube Spacer
16	750A-325	2	Tube Spacer
A22	770A-345	1	WASHER, MDPE, .150 ID X .500 OD X .100
22	770A-200	1	W/ MAIN FRAME Custom
23	770A-201	2	W/ LEG Custom
24	770AK008	1	KIT, FOOT PLATE ARM, FRONT LEFT SIDE
25	770AK009	1	KIT, FOOT PLATE ARM, FRONT RIGHT SIDE
26	770AK010	2	KIT, FOOT PLATE ARM, REAR
27	771A-322	4	PLATE, SPACER
A31	HP296712	2	PIN, SPRING .156 X .500
A36	HF709001	1	INSERT 1.37 X .375-16 UNC
A37	770A-399	4	CAP, END 1.50 OD
A38	HC700922	4	FHSCS .375-16 X 1.500, SS
42	FB030256	4	BEARING BALL 1.181 DIA DOUBLE ROW
43	FC030003	4	TOLERANCE RING 2.4409 ID
44	FC030011	4	Tolerance Ring .62mm dia
46	HB-17280	4	BEARING,BALL,SINGLE ROW,6206

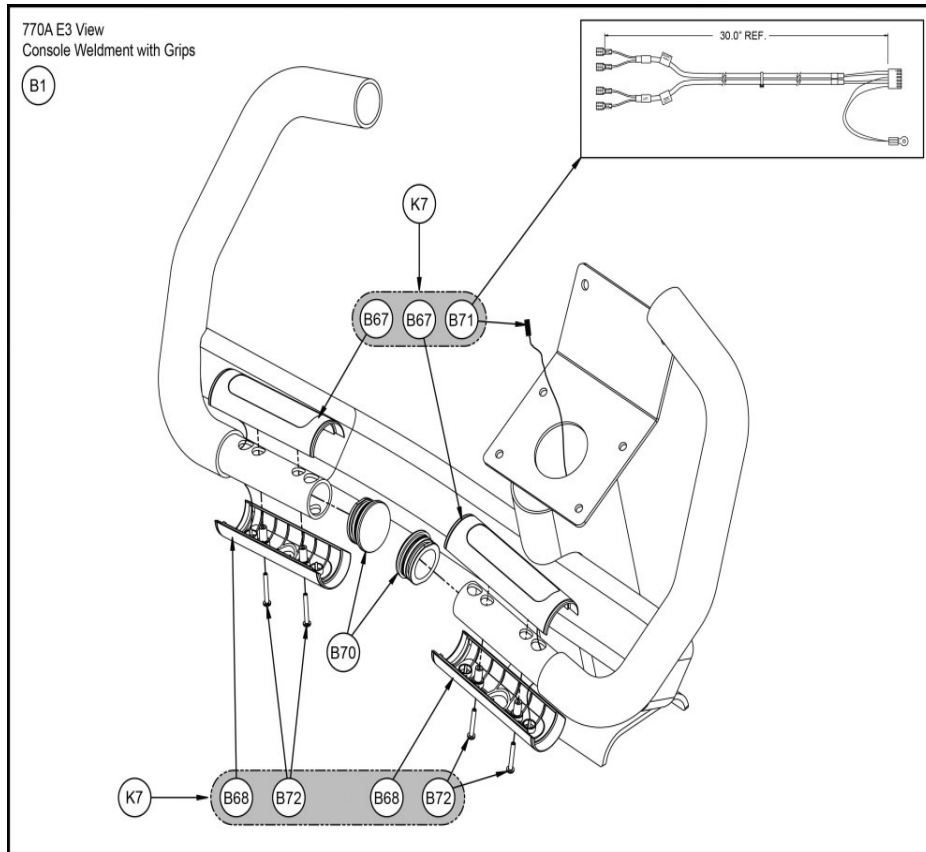
Ref #	Part Number	Qty	Description
48	HC700415	4	BHSCS .375-16 X .75
49	HC701228	2	HX HD CAP SC .375-16 X 2.25
50	HC701230	5	HX HD CAP SC .375-16 X 2.500
58	HN704901	8	LOCKNUT .375-16 NYLON
60	HS307601	3	WASH FLAT .281 .500 .062 T
63	HS347602	4	WASHER .390 X 1.500 X .124 FLAT
70	HX622815	3	SHCS .250-20 X .75 SS
74,E33	600AK012	3	KIT LINKAGE CAP

Console Tray Assembly



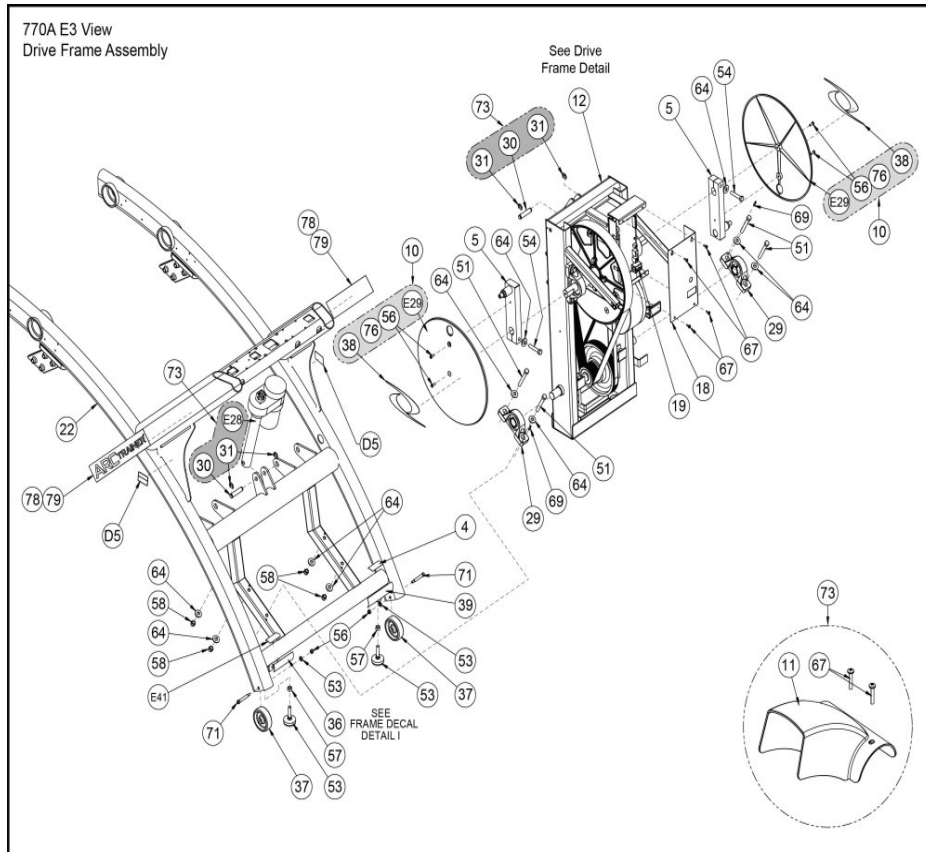
Ref #	Part Number	Qty	Description
K6	770AK030	1	Kit, Tray 770A
A6	770A-310	1	BRACKET, LOWER, DISPLAY MOUNT
A7	770A-316	1	TRAY ACCESSORY
A8	770A-317	1	HOLDER, CUP, TOP
A9	770A-318	1	HOLDER, CUP, BOTTOM
B13	AW-23849	1	CABLE,525AT CONSOLE UPPER
A16	770A-331	1	DECAL, WARNING, LOWER 770A CONSOLE- Custom
A17	770A-332	1	DECAL, WARNING, LOWER 770A CONSOLE- Custom
22	770A-200	1	W/ MAIN FRAME Custom
B23	AW-20935	2	Cable Frame Harness
A28	HC700430	4	BHSCS .375-16 X 2.50
A29	HF540200	1	GROMMET NYLON
A30	HN704901	4	LOCKNUT .375-16 NYLON
A32	HT532512	4	PN HD PHIL SC #6 X .50 PLASTITE
A33	HT552512	1	TAP SC NO. 8-16 X .50 PLASTITE PAN HEAD PHILLIPS BLACK
A35	HT592526	3	Tap Sc 10-12 x 2.00 Pn Hd Phil

Console Wedlement with Grips



Ref #	Part Number	Qty	Description
B1	625A-104	1	CONSOLE ASSEMBLY
K7	770AK014	1	KIT, CONTACT GRIPS WOTH WIRES
B67	770A-397	1	GRIP, CHR, TOP
B68	770A-398	1	GRIP, CHR, BOTTOM
B70	770A-407	2	END CAP, CONTACT GRIP
B71	AW-23551	2	CABLE,ARC GRIPS,LOWER BODY
B72	HT532519	4	TAP SC #6-20 X 1.12, TYPE 25, PPHD

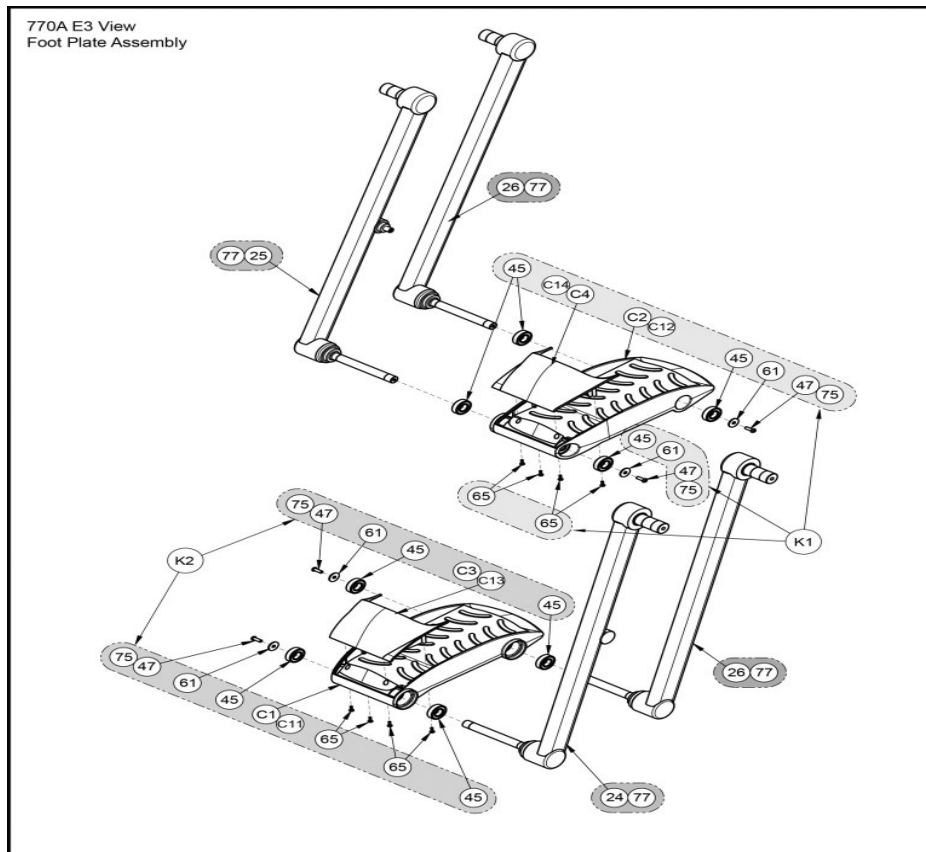
Drive Frame Assembly



Ref #	Part Number	Qty	Description
4	600A-362	1	LABEL PATENT BIOSIG
D5	DE-17219	2	DECAL CAUTION MOVING PARTS
5	610A-395	2	ASSY ARM CRANK
10	1008223-0001	1	KIT: COVER, CRANK, FLAT
11	740A-354	1	Cover Elevation Motor
12	750A-101	1	Drive Frame Assembly
18	750A-365	1	Cover Controller
19	750A-396	1	Ferrite Clamp-on .40 ID
22	770A-200	1	W/ MAIN FRAME Custom
29	AF-16694	2	ASSY,BEARING,PILLOW BLOCK
E29	1006629-0002	1	COVER, CRANK-CHR
30	AP030055	2	Pin Groove .50 x 2.00
31	BR030228	4	Retaining Ring .500 External
36	CM000199	1	DECAL SERIAL NUMBER
37	CW-17231	2	WHEEL, TENSIONER
38	DE-17339	2	DECAL CYBEX VORTEX
39	DE-21625	1	Label ETL CSA CE 750A
E41	750A-372	1	Decal Warning
51	HC701234	4	HX HD CAP SC .375-16 X 3.00
53	HG700022	4	LEVELING GLIDE 3-8-16
54	HH701226	2	BOLT, HHCS GRD 8, .375-16 X 2.0
56	HN624901	5	LOCKNUT .250-20 NYLON BLACK ZINC

Ref #	Part Number	Qty	Description
57	HN704000	2	HEX NUT .375-16
58	HN704901	4	LOCKNUT .375-16 NYLON
64	HS347700	10	WASHER USS .375
67	HT572512	6	TAP SC NO. 10 - 24 X .50 PN HD PHIL
69	HX-17023	2	PIN,SPRING .187X.813 LG,TYPE 420,ST STL
71	JD623324	2	S BOLT .312 X 1.75 .250-20
73,E28	750AK025	4	KIT, ELEVATION MOTOR
76	YG000006	2	GEASE MINERAL BASE
78	770A-337	2	DECAL, ARC TRAINER BLACK
79	770A-338	2	DECAL, ARC TRAINER

Foot Plate Assembly



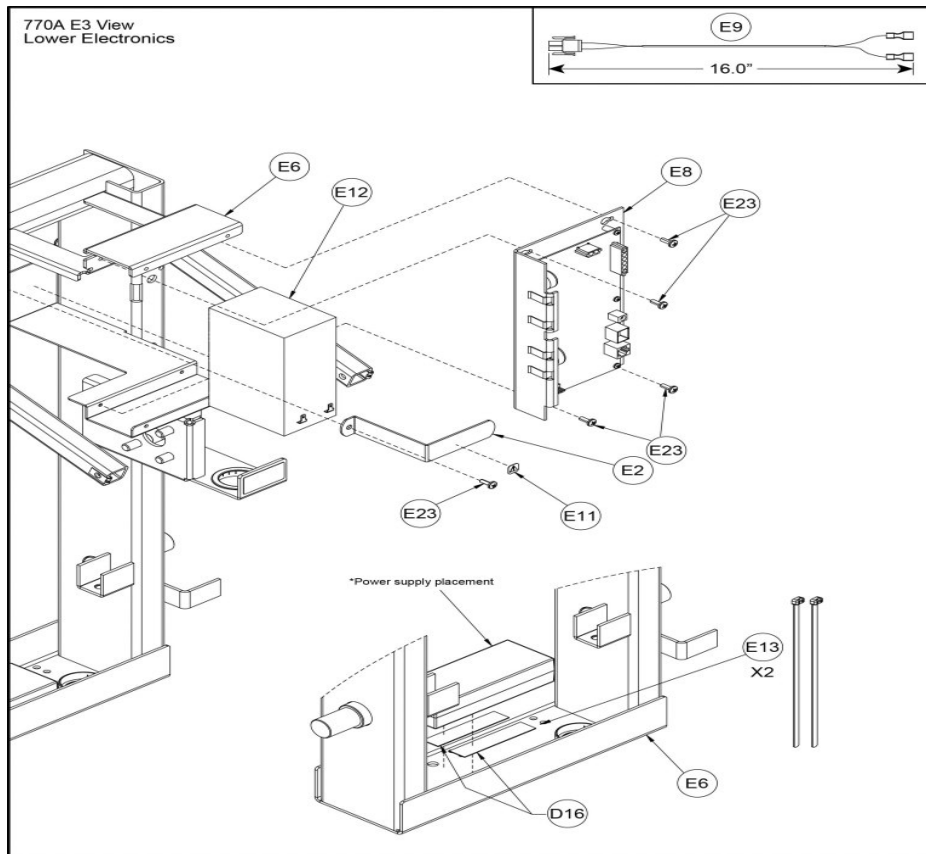
Ref #	Part Number	Qty	Description
C1	740A-378	1	Foot Plate LH
K1	750AK002	3	KIT, FOOT PLATE RIGHT
C2	740A-379	1	Foot Plate RH
K2	750AK003	2	KIT, FOOT PLATE LEFT
C3	740A-380	1	Toe Cap LH
C4	740A-381	1	Toe Cap RH
C11	740A-392	1	FOOT PLATE, LH
C12	740A-393	1	FOOT PLATE, RH
C13	740A-394	1	TOE CAP, LH
C14	740A-395	1	TOE CAP, RH
24	770AK008	1	KIT, FOOT PLATE ARM, FRONT LEFT SIDE
25	770AK009	1	KIT, FOOT PLATE ARM, FRONT RIGHT SIDE
26	770AK010	2	KIT, FOOT PLATE ARM, REAR
45	HB-17036	8	BEARING,BALL, .750DIA
47	HC620415	4	BHSCS .250-20 X .75, BL ZN
61	HS307604	4	WASHER, FLAT .281 ID X 1.000 OD X .063 TH BL ZN
65	HT552512	8	TAP SC NO. 8-16 X .50 PLASTITE PAN HEAD PHILLIPS BLACK
75	YA000201	1	ADH THRD LKR REM .02 OZ 242
77	YG000007	1	NLA: GREASE TRANS LUBRIPLATE 1200-2

Hardware Manual and Power Cords

Ref #	Part Number	Qty	Description
A1	12090-322	2	PAD FOOT
D1	5770	1	Owners Manual 770 Arc
D2	770A-415	1	WARRANTY SHT, COMMERCIAL ARC 770
D3	770A-416	1	WARRANTY SHT, CONSUMER ARC 770
D9	770A-404	1	POSTER ASSY UNSTR 770A
K9	750AK033	1	KIT VOLTAGE ASSY 220V/50HZ EUROPE NON UK
K10	750AK034	1	Kit Voltage Assy 220V/10A UK
D10,K8	TR-22382	2	Power supply
D11	EW600007	1	POWER CORD, NEMA5-1 5PTOIEC320 C13 LA, 10A
K11	750AK035	1	KIT VOLTAGE ASSY 110V/50HZ JAPAN
K12	750AK036	1	KIT, VOLTAGE ASSEMBLY 10A/250V DANISH
D12	EW600008	1	POWER CORD, CEE 7/7 TO IEC320 C13 LA, 10A
D13	EW600009	1	POWER CORD, BS 1363UK10 TO IEC320 C13 LA, 10A
D14	EW600010	1	POWER CORD, JIS 8303 TO IEC320 C13 LA, 12A
D15	EW600011	1	POWER CORD, DANISH DK2-1A TO IEC320 C13 LA, 12A
D18	EW600012	1	POWER CORD, AS/NZS3112TOIEC320C13 LA, 10A
D19	626A-340	1	HARDWARE PACK, 626A
D20	OAW-25706	1	POWER CORD, 10A/250V, 2.5MM CHINESE TO C13
A23	BK030204	1	HEX KEY .219IN
A28	HC700430	4	BHSCS .375-16 X 2.50
A29	HF540200	1	GROMMET NYLON
A30	HN704901	4	LOCKNUT .375-16 NYLON

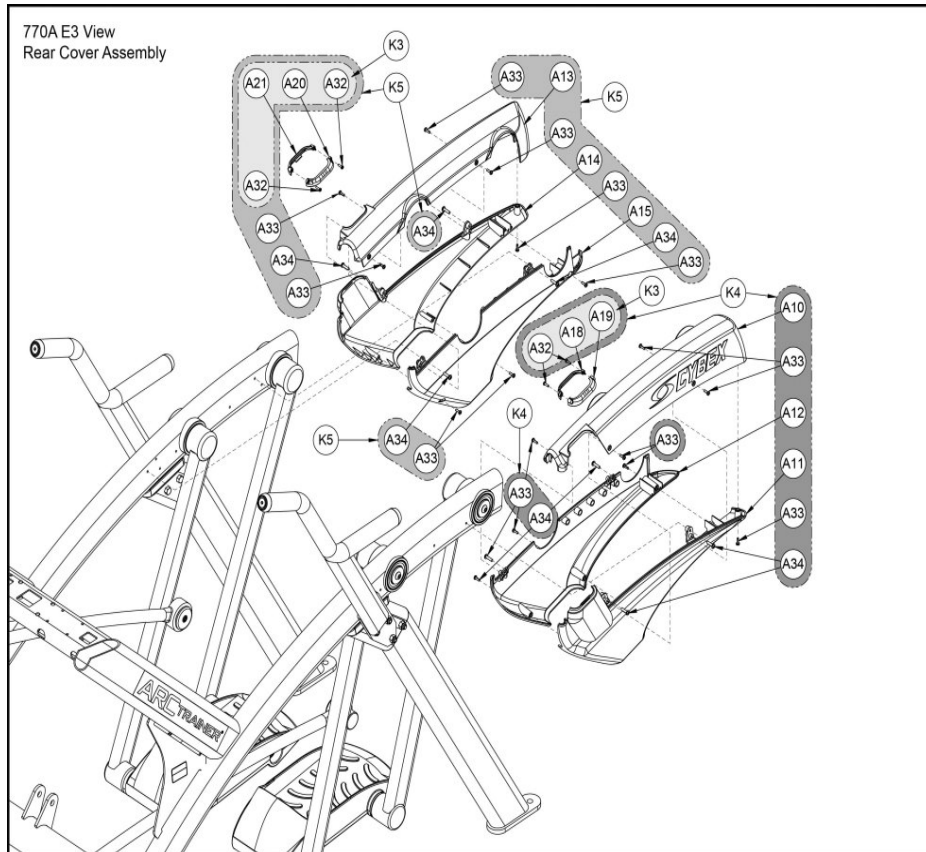
Ref #	Part Number	Qty	Description
A32	HT532512	2	PN HD PHIL SC #6 X .50 PLASTITE
A33	HT552512	19	TAP SC NO. 8-16 X .50 PLASTITE PAN HEAD PHILLIPS BLACK
A34	HT572515	4	SCREW, PAN HEAD PHILIPS 10-24 X .75 TYPE 23, BLK
A35	HT592526	4	Tap Sc 10-12 x 2.00 Pn Hd Phil
A39	770A-427	1	CABLE, 6', RG59 COAX F-TYPE M-M
E41	750A-372	1	Decal Warning
E42	EW000028	1	CABLE TIE 8.00
E43	EW000029	1	CABLE TIE 15.00

Lower Electronics



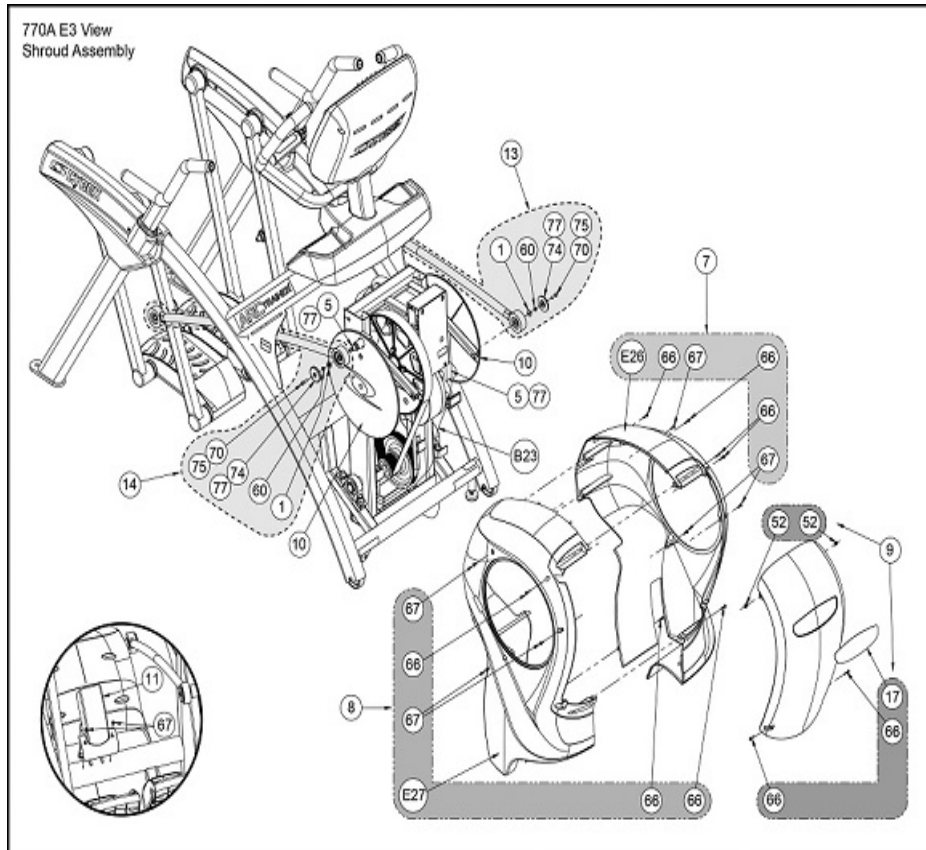
Ref #	Part Number	Qty	Description
E2	630A-314	1	CLAMP BATTERY
E6	750A-212	2	W Frame
E8	AD-23681	1	PCA,770A 625A,LOWER CONTROLLER
E9	AW-18447	1	CABLE SPA BATTERY
E11	DE-19586	1	LABEL WARNING ICON
E12	EC-18267	1	BATTERY 12V 7AHR
E13	EW000028	2	CABLE TIE 8.00
D16	01250	2	TAPE DOUBLE COATED 0.75
E23	HT572512	4	TAP SC NO. 10 - 24 X .50 PN HD PHIL

Rear Cover



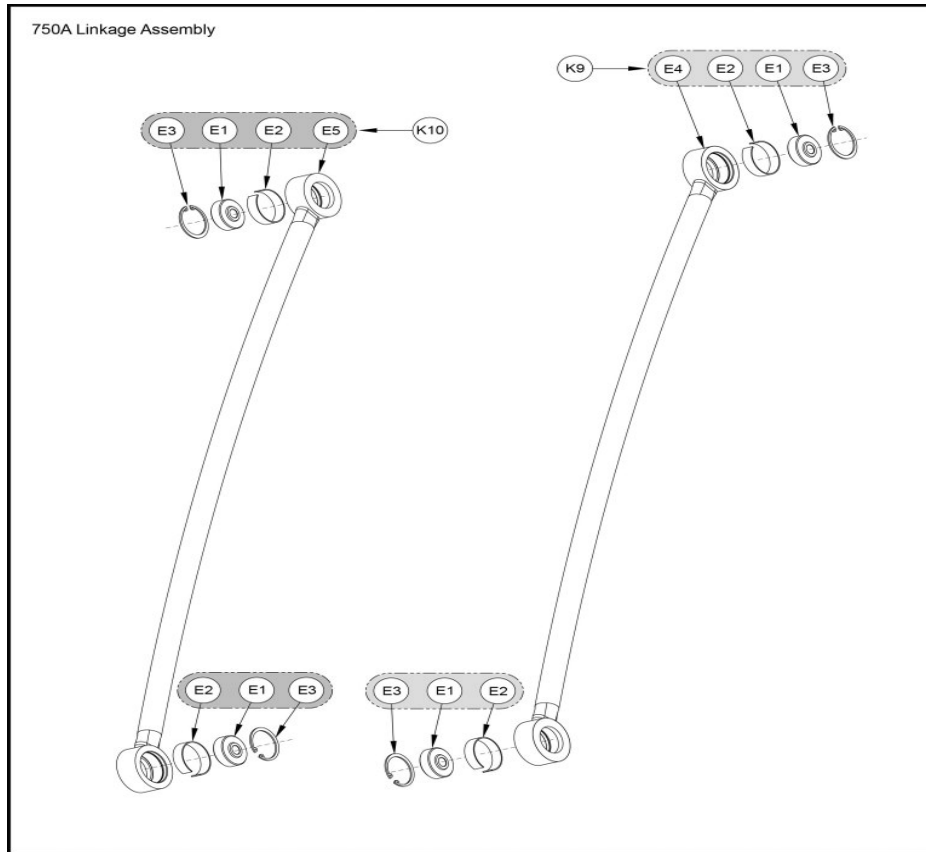
Ref #	Part Number	Qty	Description
K3	770AK048	2	KIT, COLLAR SET
K4	770AK004	3	KIT, PIVOT COVER, LEFT SIDE
K5	770AK005	4	KIT, PIVOT COVER, RIGHT SIDE
A10	770A-319	1	COVER, REAR, TOP, LH
A11	770A-320	1	COVER, REAR, OUTER, LH
A12	770A-321	1	COVER, REAR, INNER, LH
A13	770A-322	1	COVER, REAR, TOP, RH
A14	770A-323	1	COVER, REAR, OUTER, RH
A15	770A-324	1	COVER, REAR, INNER, RH
A18	770A-334	1	COLLAR, LH INNER
A19	770A-335	1	COLLAR, LH OUTER
A20	770A-340	1	COLLAR, INNER RH
A21	770A-341	1	COLLAR, OUTER RH
A32	HT532512	2	PN HD PHIL SC #6 X .50 PLASTITE
A33	HT552512	16	TAP SC NO. 8-16 X .50 PLASTITE PAN HEAD PHILLIPS BLACK
A34	HT572515	8	SCREW, PAN HEAD PHILIPS 10-24 X .75 TYPE 23, BLK

Shroud Assembly



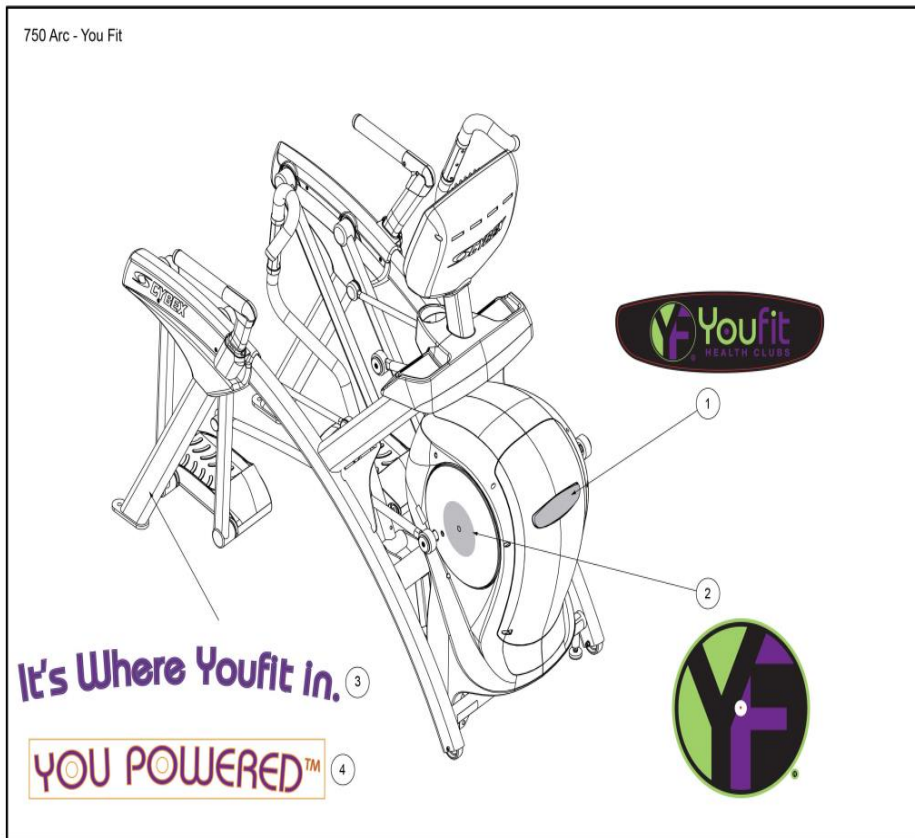
Ref #	Part Number	Qty	Description
1	600A-311	2	SPACER FLANGE
5	610A-395	2	ASSY ARM CRANK
7	750AK021	1	KIT, ARC SHROUD LEFT
8	750AK022	1	KIT, ARC SHROUD RIGHT
9	750AK024-4	2	KIT, ACCESS COVER
10	1008223-0001	3	KIT: COVER, CRANK, FLAT
11	740A-354	1	Cover Elevation Motor
13	750AK006	1	KIT, LINKAGE ROD LEFT
14	750AK007	1	KIT, LINKAGE ROD RIGHT
17	750A-349	1	Decal ARC
B23	AW-20935	1	Cable Frame Harness
E26	740A-350	1	Cover LH
E27	740A-351	1	Cover RH
52	HF540200	2	GROMMET NYLON
60	HS307601	2	WASH FLAT .281 .500 .062 T
66	HT552515	9	TAP SC NO. 8-16 X .75 PLASTITE PN HD PHIL BLK
67	HT572512	6	TAP SC NO. 10 - 24 X .50 PN HD PHIL
70	HX622815	2	SHCS .250-20 X .75 SS
74	600AK012	2	KIT LINKAGE CAP

750A Linkage Assembly



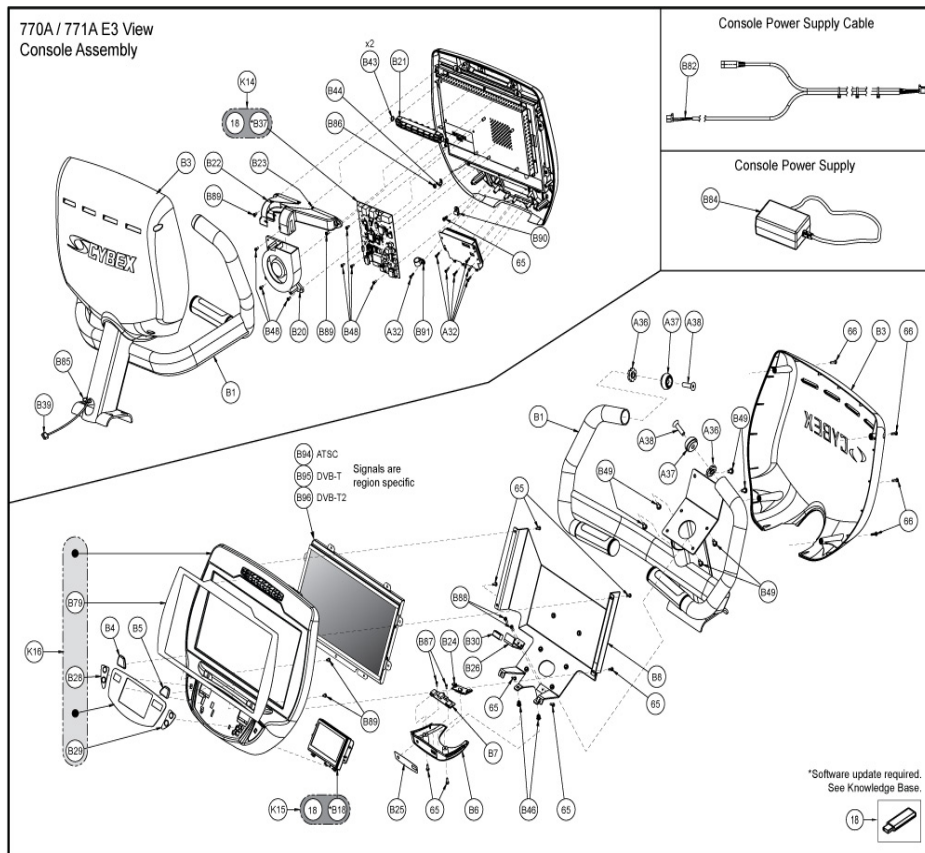
Ref #	Part Number	Qty	Description
E1	FB030244	4	BEARING, .50IDX1.688OD,RADIAL BALL,SELF ALIGN
E2	FC030004	4	TOLERANCE RING 42MM ID
E3	HX-17143	4	RING RETAINING,INT,5000-168
E4,K9	750AK006	2	KIT, LINKAGE ROD LEFT
E5,K10	750AK007	2	KIT, LINKAGE ROD RIGHT

750 Arc - You Fit



Ref #	Part Number	Qty	Description
1	DE-60297	1	DECAL, YOUFIT ARC DOME
2	DE-60281	2	DECAL, ARC YF SIDE PLATE
3	DE-60282	1	DECAL, ARC YF LEG
4	DE-60300	1	DECAL, YOU POWERED, YOUFIT

770A/771A E3 View - Console Assembly (Before J1102)



Ref #	Part Number	Qty	Description
B1	625A-104	1	CONSOLE ASSEMBLY
B3	770A-326	1	CONSOLE BACK, 625A-770A
B4	770A-328	1	BACK TAB, SMALL CONSOLE, LEFT
B5	770A-329	1	BACK TAB, SMALL CONSOLE, RIGHT
B6	770A-330	1	COVER, HEADPHONE JACK DOOR, SMALL CONSOLE
B7	770A-347	1	PCA, HANDSET AUDIO JACK
B8	770A-353	1	CONSOLE MOUNTING PLATE, 770, 625
K14	K525AT-407	1	KIT, PCA MCC, 525 ARC
K16	K770A-406	1	KIT, BEZEL, W KEYPAD DECAL, EPEM 77X
K18	CP-23199	1	USB 2.0 FLASH DRIVE,BLANK CDW 424820 for kit PKCP-23201
B18,K15	KOCP-25536	2	KIT, DISPLAY, 4.3 LCD OPEN FRAME
B20	770A-373	1	FAN, 12VDC, 120X120MM, SIDE OUTLET
B21	770A-374	1	FAN LOUVER
B22	770A-375	1	FAN DUCT, LEFT
B23	770A-376	1	FAN DUCT, RIGHT
B24	770A-379	1	SENSOR, HEART RATE COMBO
B25	770A-380	1	DECAL,HEADPHONE JACK USB
B26	770A-383	1	BRKT, GROUNDING, GUI
B28	770A-386	1	THUMB SWITCH, LEFT, INCLINE

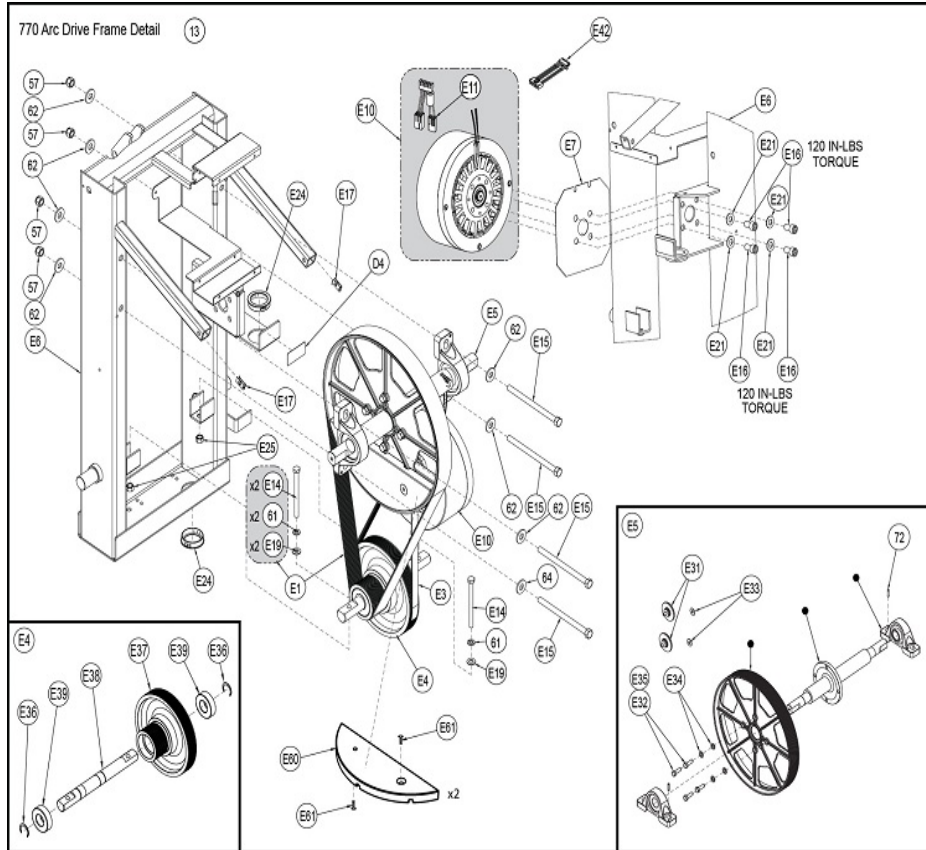
Ref #	Part Number	Qty	Description
B29	770A-387	1	THUMB SWITCH, RIGHT, RESISTANCE
B30	770A-395	1	GASKET, EMI, .50 X .50 X 1.0
A32	HT532512	7	PN HD PHIL SC #6 X .50 PLASTITE
A36	HF709001	2	INSERT 1.37 X .375-16 UNC
A37	770A-399	2	CAP, END 1.50 OD
B37	525AT-407	1	PCA, MCC, UNPROGRAMMED, IPOD, 525AT, C, R
A38	HC700922	2	FHSCS .375-16 X 1.500, SS
B39	AW-23375	1	CABLE,770A IPOD 30PIN,STOCKABLE
B43	FO100011	2	O-RING, 334 ID X .474 OD
B44	ES000004	1	TAB, FASTON 250 SERIES
B46	HF540200	2	GROMMET NYLON
B48	HJ532510	7	SCREW, SEMS, 6-32 X .38 PNHD PHIL EXT BLK ZN
B49	HJ622512	4	SCREW, SEMS, .25-20 X .50 PNHD PHIL EXT BLK ZN
65	HT552512	2	TAP SC NO. 8-16 X .50 PLASTITE PAN HEAD PHILLIPS BLACK
66	HT552515	8	TAP SC NO. 8-16 X .75 PLASTITE PN HD PHIL BLK
B79	770A-385	1	DECAL, UPPER DISPLAY, PEM, ARC
B82	AW-23339	1	CABLE,770A CONSOLE LOWER,POWER
B84	TR-25809	1	Power Supply
B85	EW000028	1	CABLE TIE 8.00
B86	HN546300	1	NUT, K NUT 8-32 UNC ZN
B87	HT042510	2	PN HD PHIL SC #4 X .375 PLASTITE
B88	HT542512	2	PAN HD PHIL HD SELF TAPPING, 8-32 X .50 TYPE 23
B89	HT552509	4	TAP SC NO 8-16 X .31 PLASTITE PN HD PHIL
B90	PN000001	1	CLAMP, CABLE .18 DIAMETER STANDARD
B91	PN140001	1	CLAMP, CABLE .56 DIAMETER
B94	PKRA-22564	1	NC KIT,E3 REFURBISHED ATSC (use PKCP-22564)
B94	PKCP-22564	1	R&R NC KIT,e3 Replacement ATSC
B95	PKCP-22565	1	KIT,e3 Replacement DVBT
B95	PKRA-22565	1	NC KIT,E3 REFURBISHED DVBT
B96	PKCP-25810	1	KIT,E3 Replacement DVBT2
B96	CP-25454	1	PEM,OPEN FRAME,DVBT2

770A/771A E3 View - Console Cables (Before J1102)

770A / 771A E3 View Console Cables	
(B10) Headphone Jack Jumper 	(B24) Contact Heartrate to Console
(B11) USB Hub Jumper 	(B39) iPod Cable
(B81) Ferrite (B13) Console Upper 	(B74) EPEM Chassis Ground
(B80) Ferrite (B14) Heartrate Board to MCC 	(B75) CHR Grips
(B15) GFX Board to MCC 	(B76) EPEM AV
(B16) Handset Membrane 	(B77) MCC to PEM AV
(B17) Thumb Controls 	(B83) COAX Console
(B23) Console Harness 	(B92) COAX Frame

Ref #	Part Number	Qty	Description
B10	770A-357	1	CABLE, HEADPHONE JACK JUMPER, ARC
B11	770A-358	1	CABLE, USB JUMPER
B13	AW-23849	1	CABLE,525AT CONSOLE UPPER
B14	770A-361	1	CABLE, ARC HRBOARD TO MCC
B15	770A-363	1	CABLE, 770T 670 GFX BOARD TO MCC
B16	770A-364	1	CABLE, HANDSET MEMBRANE, ARC
B17	770A-365	1	CABLE,THUMB CONTROLS
B23	AW-20935	1	Cable Frame Harness
B24	770A-379	1	SENSOR, HEART RATE COMBO
B39	AW-23375	1	CABLE,770A IPOD 30PIN,STOCKABLE
B74	770A-412	1	CABLE, EPEM CHASSIS GROUND
B75	AW-23551	1	CABLE,ARC GRIPS,LOWER BODY
B76	770A-355	1	CABLE, 770ACR, TO PEM AV
B77	770A-356	1	CABLE, 770ACR, MMC TO PEM AV
B80	770A-409	1	FERRITE, 277 OHMS
B81	770A-410	1	FERRITE, 407 OHMS
B83	AW-23827	1	CABLE,2' COAX 3GHZ F-TYPE M-M JUMPER
B92	AW-23828	1	CABLE,770A,RG59 COAX,X FRAME

770 Arc Drive Frame Detail



Ref #	Part Number	Qty	Description
E1	600AK020	1	KIT 16 RIB BELT TENSIONING
E3	630A-328	1	BELT SECONDARY DRIVE 7 RIB
D4	DE-17155	1	NLA: LABEL,WARNING HOT FLYWHEEL
E4	750A-110	1	Pulley Assembly Double
E5	600AK002	1	KIT PULLEY CRANK SHAFT
E6	750A-212	1	W Frame
E7	750A-364	1	Spacer Gen Winding
E10	1007425-0001	1	KIT: BRAKE, ARC TRAINER
E11	1006756-0001	2	CONNECTOR, CABLE
13	750A-101	1	Drive Frame Assembly
E14	HC661240	4	HX HD CAP SC .312-18 X 3.75
E15	HC701254	4	HX HD CAP SC .375-16 X 5.50
E16	HC702815	2	SHCS .375-16 X .750
E17	HF579000	2	PANEL FASTENER 10-24 U TYPE
E19	HS327600	4	WASHER SAE .312
E21	HS347600	2	WASHER SAE .375
E24	HX-17050	2	BUSHING,1.275IDX1.87 OD,NYLON INSULATED
E25	HN664000	2	HEX NUT .312-18
E31	600AK012	4	KIT LINKAGE CAP
E32	HC661217	2	HX HD CAP SC .312-18 X 1.000
E33	HS307600	4	WASHER SAE .250
E34	HS760100	2	WASH FLAT .380 .625 .090 T

Ref #	Part Number	Qty	Description
E35	YA000023	1	LOCTITE PERM 262 PN 26231
E36	BR030221	1	RING RETAINING EXT CRESCENT
E37	600AK014	2	KIT LOWER PULLEY ASSY
E38	FM-16859	1	SHAFT,LOWER
E39	FB030243	1	BEARING 25MMIDX52MMOD 6205
E42	OAW-24272	1	CABLE, 625/770A , BRAKE JUMPER
57	HN704901	4	LOCKNUT .375-16 NYLON
E60	FM-19507	1	COUNTERWEIGHT
61	HS328300	2	LOCKWASHER SPLIT .312
E61	JC700922	4	FHSCS .375-16 X 1.50
62	HS347700	8	WASHER USS .375
72	HX-17023	2	PIN,SPRING .187X.813 LG,TYPE 420,ST STL

