

TREADMILL,770T

770T-E3-03

Parts Manual

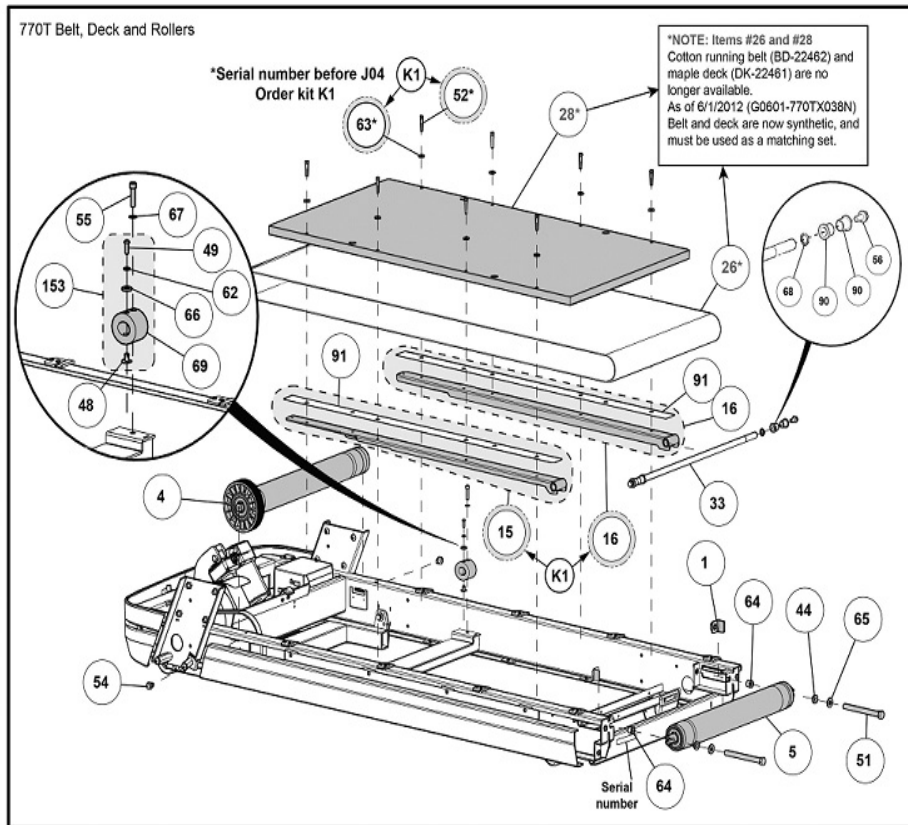
1/5/2019 5:30:52 AM



Table of Contents

770T Belt Deck Rollers.....	3
770T Console Covers.....	5
770T E3 View Console Electronics (E0201 to L0731).....	6
770T E3 View Lower Electronics After J0813.....	8
770T E3 View Upright.....	10
770T Frame After F0923.....	11
770T Handset.....	13
770T Hardware Manual and Power Cords.....	15
770T Motors.....	16

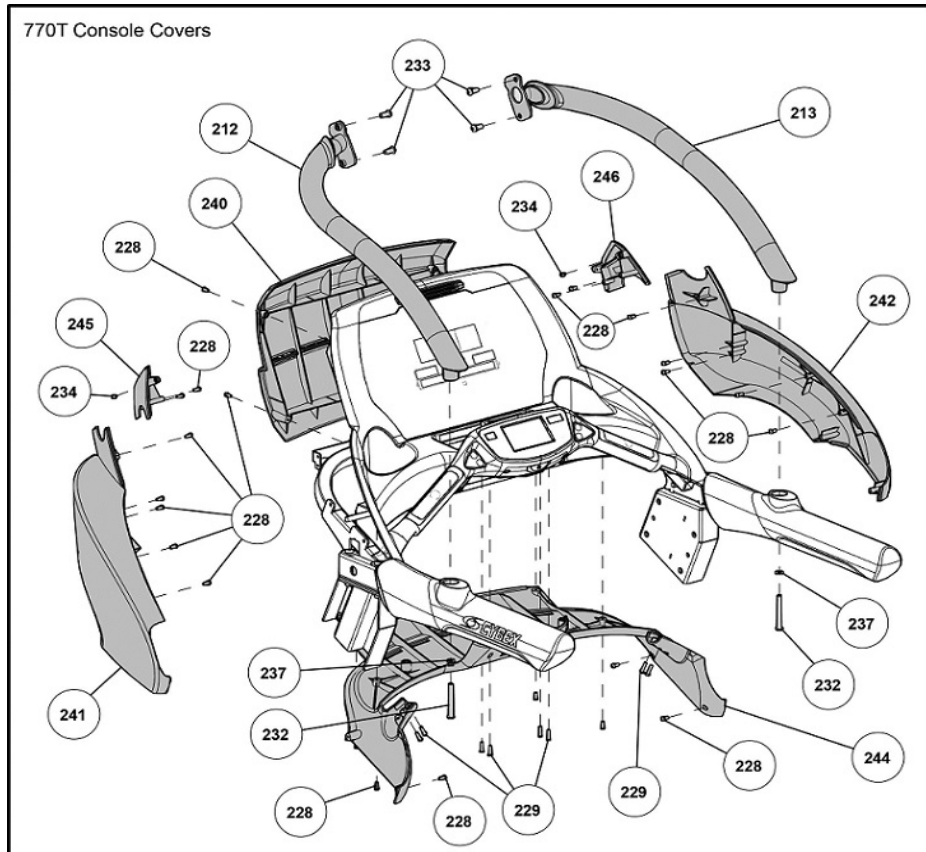
770T Belt Deck Rollers



Ref #	Part Number	Qty	Description
1	AF-19988	1	NUT,ROLLER,REAR FRONT,7XXT
K1	PKAF-25027	1	KIT,DECK STIFFNER,625T770T790T
4	AL-23586	1	ASSY,FRONT ROLLER
5	AL-23587	1	ASSY,REAR ROLLER
15	AX-22451	1	ASSY,IS3 PIVOT BRACKET,LEFT,650T
16	AX-22454	1	ASSY,IS3 PIVOT BRACKET,RIGHT,650T
26	BD-22463	1	BELT,RUNNING,60" SYNTHETIC FIB
28	DK-22585	1	DECK,RUNNING,SYNTHETIC,625T
33	FM-22458	1	SHAFT,PIVOT IS3,770T
44	HB-16367	2	BUSHING .50IDX.62ODX.31LG,FLAN
48	HN-20041	2	NUT,1-4-20 PROPELLER .305 OD
49	HS-11347	2	BOLT,1-4-20X0.75,SCHD BTN,BLK
51	HS-15480	2	BOLT TAP,1-2-13X6,HXHD,G5
52	HS-24905	8	BOLT,5-16-18X1.75 HXHD,GR5,BLK ZN,W-LOCKING PATCH
54	HS-16929	2	BOLT WHIZ LCK,3-8-16X.625,HXHD
55	HS-18358	2	BOLT,5-16-18X.1.25,SCHD CAP,BL
56	HS-19108	2	SCREW 5-16-18X3-4LG,HXHD,WHIZ-
62	HW-00180	2	WSHR LOCK SPLIT 1-4,SST,BLK PASSIVATE
63	HW-24082	8	WSHR,PLAIN,5-16X .88 X .075,STL,ZN
64	HW-00590	2	BUSHING,NYLON,1-2 in
65	HW-10028	2	WSHR B 1-2 NARROW ZINC

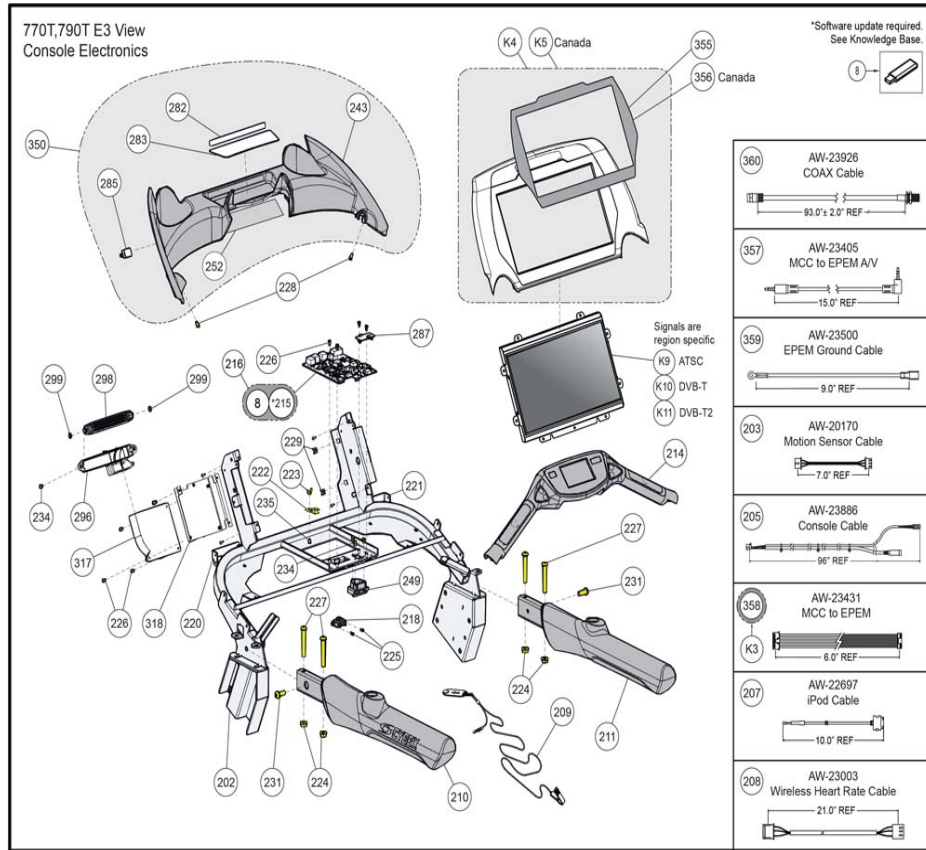
Ref #	Part Number	Qty	Description
66	HW-18123	2	WSHR,,.344IDX.75 ODX.125THK,HAR
67	HW-20044	2	WSHR,BELLEVILLE,15X8.2X1.0MM,.
68	HX-13771	2	RING,RETAIN,5-8" .579 FR.ID
69	HX-19991	2	BUMPER,SPRING DECK,2.10X2.34X1
90	HB-18768	2	BEARING,IGUS LF-1011-12
91	HX-22457	2	TAPE 1.88X45in MYLAR
153	KHX-23265	2	KIT,DECK BUMPER
-	DE-14486	1	NLA: DECAL SERIAL NUMBER CYBEX

770T Console Covers



Ref #	Part Number	Qty	Description
212	AX-22468	1	ASSY,HANDRAIL,SECONDARY,LEFT,7
213	AX-22469	1	ASSY,HANDRAIL,SECONDARY,RIGHT,
228	HS-15706	18	SCREW,8-16X.50,PNHD,STL,BLK ZN CLR,TYP WB
229	HS-18311	8	SCREW,8-16X.75,PNHD PHIL,STL,B
232	HS-22899	2	BOLT,5-16-18X2.75,BTHD SOC CAP
233	HS-41072	4	BOLT,5-16-18X.75,BTHD CAP,SST,
234	HS-41187	2	SCREW SLFTP,8-16X.3125,PLASTITE
237	HW-53018	2	WASHER 5-16 SPLIT SS,BLK
240	PL-22557	1	CONSOLE BACK,625T 770T
241	PL-22558	1	CONSOLE SIDE,LEFT
242	PL-22559	1	CONSOLE SIDE,RIGHT
244	PL-22561	1	CONSOLE BOTTOM,770T
245	PL-22576	1	CONSOLE SIDE,UPPER LEFT,W-HDRL
246	PL-22577	1	CONSOLE SIDE,UPPER RIGHT,W-HDR

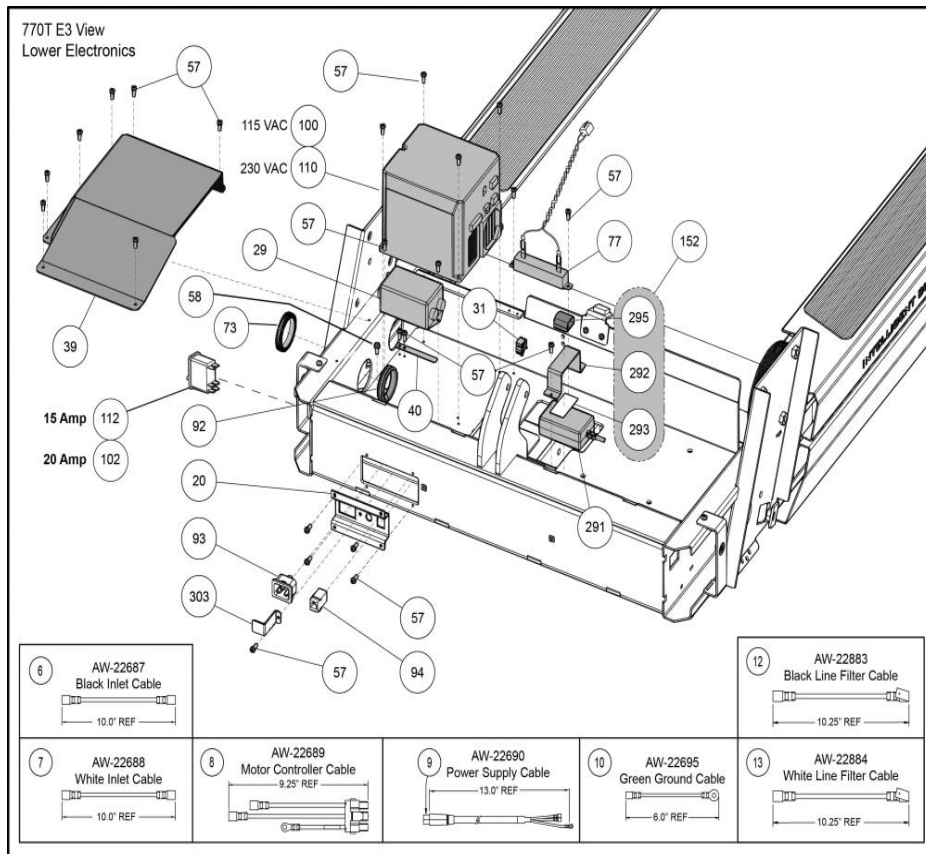
770T E3 View Console Electronics (E0201 to L0731)



Ref #	Part Number	Qty	Description
K3	KAW-24392	1	KIT,770T CONSOLE CABLES
K4	PKPL-25119	1	KIT,BEZEL REPLACEMENT,E3,770T
K5	PKPL-25120-E	1	KIT-BEZEL REPLACE,770T,CAN
K8	CP-23199	1	USB 2.0 FLASH DRIVE,BLANK CDW 424820 for kit PKCP-23201
K9	PKRA-22564	1	NC KIT,E3 REFURBISHED ATSC (use PKCP-22564)
K9	PKCP-22564	1	R&R NC KIT,e3 Replacement ATSC
K10	PKCP-22565	1	KIT,e3 Replacement DVBT
K10	PKRA-22565	1	NC KIT,E3 REFURBISHED DVBT
K11	PKCP-25810	1	KIT,E3 Replacement DVBT2
K11	CP-25454	1	PEM,OPEN FRAME,DVBT2
202	AF-22595	1	WELDMENT,CONSOLE 770T
203	AW-20170	1	CABLE,MOTION SENSOR,750T 760T Sensor Dynamics
205	AW-23886	1	CABLE,CONSOLE 525T,EPEM
207	AW-22697	1	CABLE,770T iPod 30PIN
208	AW-23003	1	CABLE,WHR CONNECT,770T
209	AX-24103	1	ASSY,LANYARD,ESTOP KEY
210	AX-22466	1	ASSY,HANDRAIL,PRIMARY,LEFT,770
211	AX-22467	1	ASSY,HANDRAIL,PRIMARY,RIGHT,77
214	KPL-23294	1	KIT,HANDSET W-MEMBRANES,NO GUI
215	AD-22540	1	NC PCA,MCC UNPROGRAMMED,W AUDIO,625T 770T

Ref #	Part Number	Qty	Description
216	KAD-23318	1	KIT,MCC,PROGRAMMED
218	EC-23085	1	SENSOR,IR DISTANCE MEASURING
220	FS-22652	1	BRKT,CONSOLE COVER,LEFT
221	FS-22653	1	BRKT,CONSOLE COVER,RIGHT
222	FS-22881	1	BRKT,SUPPORT,MCC
223	HN-22766	1	NUT,8-32 WING,STL ZN,FORGED
224	HN-42043	4	NUT 3-8-16 FLANGED SS BO
225	HS-10716	2	SCREW,4-40X0.38,PNHD PHIL
226	HS-14391	8	SCREW SEMS,6-32X.38 PNHD PHIL
227	HS-14743	4	BOLT 3-8-16X 3 BTHD
228	HS-15706	2	SCREW,8-16X.50,PNHD,STL,BLK ZN CLR,TYP WB
229	HN-25291	2	NUT,FLOATING 1-4-20 STL ZINC
231	HS-22651	2	BOLT,3-8-16-.75 BHCS,ZN
234	HS-41187	1	SCREW SLFTP,8-16X.3125,PLASTITE
235	HW-13762	1	WASHER NO. 8 EXT ZNPL
243	PL-22560	1	CONSOLE ACCESSORY TRAY,770T
249	PL-22763	1	HOUSING,E-STOP,770T
252	HX-23070	1	SHIELD,MCC,770T
282	DE-22764	1	Decal Warn Console 770T Custom
283	DE-23296	1	LABEL: WARNING, LOWER, 625T CONSOLE Custom
285	EC-23020	1	SENSOR,WIRELESS HEART RATE BOA
287	EC-22886	1	SENSOR,CHR HUB
296	AX-25495	1	ASSY,FAN DUCT
298	770A-374	1	FAN LOUVER
299	HX-22649	2	O-RING,.334DIA X .070THK,BLACK
317	770A-373	1	FAN, 12VDC, 120X120MM, SIDE OUTLET
318	AF-22650	1	BRKT,FAN MOUNTING
350	KAX-23268	1	Kit 770T Accesory Tray
355	DE-22627	1	MEMBRANE,UPPER DISPLAY,EPEM,77
356	DE-22627-4	1	MEMBRANE,UPPER DISPLAY,EPEM,77
357	AW-23405	1	CABLE,625T 770T MCC TO EPEM AV
358	AW-23431	1	CABLE,625T 770T MCC TO EPEM
359	770A-412	1	CABLE, EPEM CHASSIS GROUND
360	AW-23926	1	CABLE,COAX, 525T

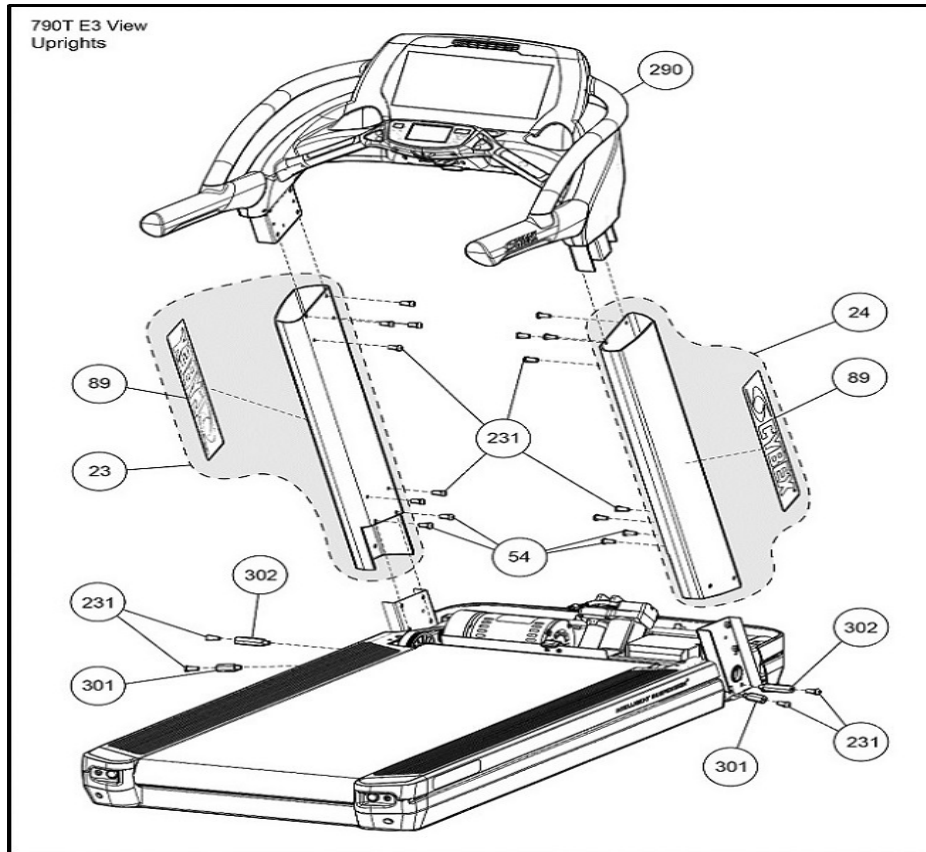
770T E3 View Lower Electronics After J0813



Ref #	Part Number	Qty	Description
6	AW-22687	1	WIRE 10IN JUMPER BLACK
7	AW-22688	1	WIRE 10IN JUMPER WHITE
8	AW-22689	1	CABLE,MOTOR CONTROLLER
9	AW-22690	1	CORD,AUX POWER SUPPLY,C5 250V
10	AW-22695	1	WIRE 6in INLET GND JUMPER
12	AW-22883	1	WIRE10.25in JUMPER BLACK WITH
13	AW-22884	1	WIRE10.25in JUMPER WHITE WITH
20	AF-25857	1	PLATE, POWER INLET, DUAL KEYST
29	EC-18896	1	FILTER,16A
31	EH-20254	1	CLIP,WIRE RETAINER,.24-.47"DIA
39	FS-23008	1	*COVER,CONTROLLER,770T
40	FS-23041	1	GROUND STRAP,CONTROLLER
57	HS-21672	22	SCREW 8-32-1/2in TT TRILOBULAR
58	HS-22815	1	SCREW,10-32 X .50,TAPTITE,GREE
73	HX-22832	1	GROMMET,MOLDED,CUT TO LENGTH 5
77	RE-23040	1	RESISTOR,TM5 DYNAMIC BRAKE,7.5
92	EH-16809	1	GROMMET,1.12X.091-.125 NYLON
93	EH-22691	1	INLET IEC320 16-20AMP SNAP FIT
94	CN-22747	1	COUPLER,RJ45 F-F PANEL MOUNT
100	AD-23914	1	CONTROLLER,115 IP,PFC
102	SW-19667	1	SWITCH,THERMAL CB,20AMP 240V,R
110	AD-23915	1	CONTROLLER,230 2N,NON PFC

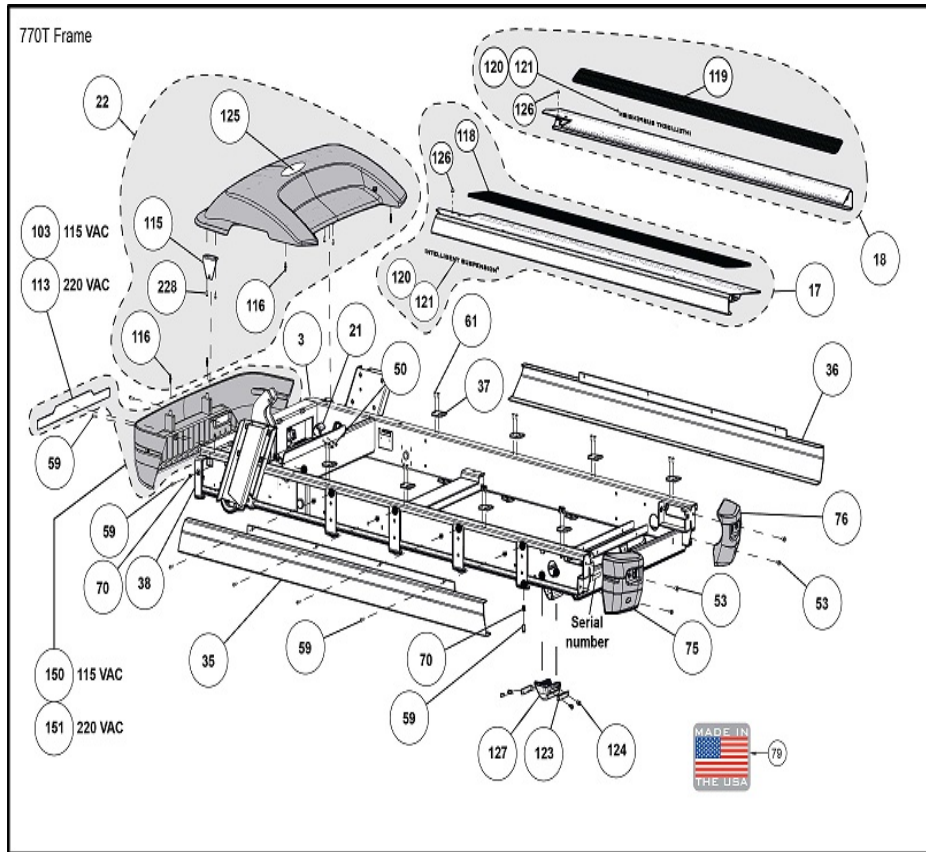
Ref #	Part Number	Qty	Description
112	SW-19666	1	SWITCH,THERMAL CB,15AMP 240V,R
152	KAX-23290	1	KIT,BRACKET,POWER SUPPLY
291	TR-25808	1	POWER SUPPLY,12V 3A 36W CEC LE
292	FS-21372	1	STRAP,AV PW SUPPLY,750C
293	HX-21603	1	TAPE, DBL SIDED, 1 X 2 X .032
295	HX-14416	1	CLIP,WIRE LATCHING,1X1
303	FS-23071	1	BRACKET,POWER CORD RETAINING

770T E3 View Upright



Ref #	Part Number	Qty	Description
23	AX-23009	1	ASSY, UPRIGHT, LEFT Custom
24	AX-23010	1	ASSY, UPRIGHT, RIGHT Custom
54	HS-16929	4	BOLT WHIZ LCK, 3-8-16X.625, HXHD
89	DE-23249	12	DECAL, CYBEX, COOL GRAY
231	HS-22651	4	BOLT, 3-8-16-.75 BHCS, ZN
290	AC-23027	1	CONSOLE ASSY, 770T EPEM, DVBT
290	AC-23026	1	CONSOLE ASSY, 770T EPEM, ATSC
301	AX-22778	2	STANDOFF, M-F, 3-8-16X1.60, .75H
302	AX-22779	2	STANDOFF, M-F, 3-8-16X 2.59, .75

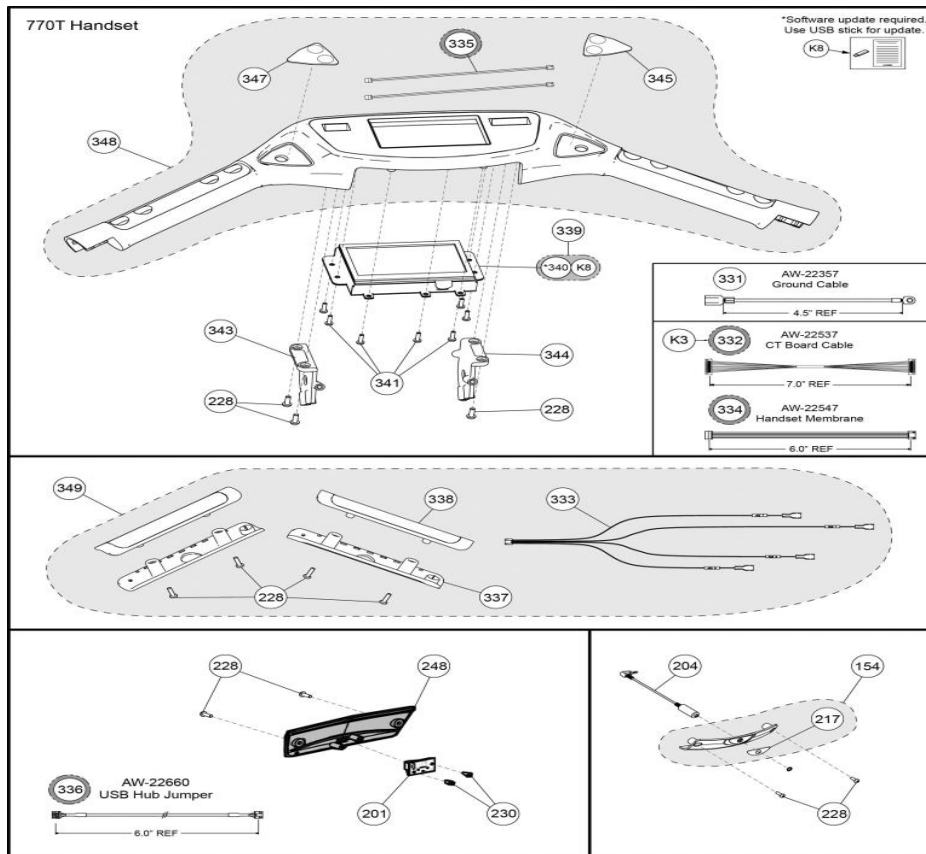
770T Frame After F0923



Ref #	Part Number	Qty	Description
3	AF-22433	1	WELDMENT,FRAME,625T 770T
17	AX-22483	1	ASSY, TOP STEP,LEFT,770T Custom
18	AX-22487	1	ASSY, TOP STEP,RIGHT,770T Custom
21	AX-22869	1	ASSY,MOTOR COVER SUPPORT
22	AX-22880	1	KIT,HOOD COVER,UPPER
35	PC-22492	1	PANEL,SIDE,LEFT,COATED,770T Custom
36	PC-22493	1	PANEL,SIDE,RIGHT,COATED,770T Custom
37	FS-22511	8	CLAMP, TOP STEP,770T
38	FS-22866	1	BRKT,HOOD COVER
50	HS-11976	2	SCREW SEMS,10-32X.38,EXT,ZN
53	HS-16875	4	BOLT SEMS,1-4-20X.5,PNHD PHIL,
59	HS-22816	12	SCREW,10-14 X .75,PLASTITE,STL
61	HS-41006	16	SCREW SLFTP,10-24X.5,PNHD PHIL,410SS,HRDDBO,WAX,TT
70	HX-20360	8	INSERT,EXPANSION,PLASTIC,#8-#1
75	PL-22817	1	END CAP,LEFT,770T
76	PL-22818	1	END CAP,RIGHT,770T
79	11040-790	1	NLA: DECAL, MADE IN THE USA
103	DE-22910	1	LABEL,ETL,115V WARNING,MOTOR COVER
113	DE-23079	1	LABEL,ETL,220V WARNING,MOTOR COVER
115	FS-22870	1	BRKT,MOTOR COVER
116	HX-21519	4	PIN,PLASTIC RETAINIER

Ref #	Part Number	Qty	Description
118	DE-22491	1	DECAL, TOP STEP, LEFT
119	DE-22503	1	DECAL, TOP STEP, RIGHT
120	DE-22327	2	LABEL, BLACK, INTELLIGENT SUSPENSION 3
121	DE-22328	2	LABEL, SILVER, INTELLIGENT SUSPENSION 3
123	FS-16511	2	PLATE, REAR RUBBER FOOT MNT
124	HS-16509	8	SCREW SLFTP, 10X.5, PNHD, PLT, TYP
125	DE-19198	1	DECAL, CYBEX LOGO Empire screen
126	HX-22879	2	GROMMET, 7-32IDX17-32ODX25-64THK
127	HX-16510	2	FOOT, RUBBER, REAR
150	KAX-23288	1	KIT, COVER FRAME, FRONT W-DECAL
151	KAX-23289	1	KIT, COVER FRAME, FRONT W-DECAL
228	HS-15706	1	SCREW, 8-16X.50, PNHD, STL, BLK ZN CLR, TYP WB
-	DE-14486	1	NLA: DECAL SERIAL NUMBER CYBEX

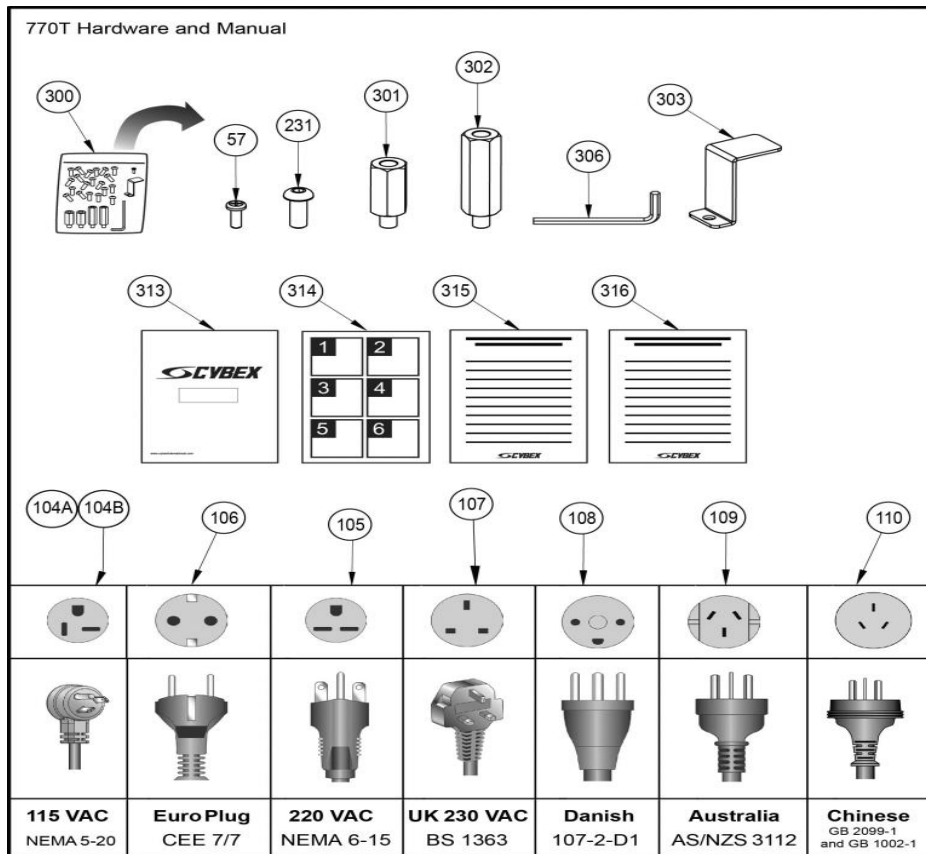
770T Handset



Ref #	Part Number	Qty	Description
K3	KAW-24392	1	KIT,770T CONSOLE CABLES
K8	CP-23199	1	USB 2.0 FLASH DRIVE,BLANK CDW 424820 for kit PKCP-23201
154	KPL-23267	1	KIT,COVER,MCC ACCESS,AV
201	AD-22659	1	PCA,USB
204	AW-22480	1	CABLE,HEADPHONE JACK JUMPER
217	DE-22784	1	DECAL,HEADPHONE JACK,770T
228	HS-15706	4	SCREW,8-16X.50,PNHD,STL,BLK ZN CLR,TYP WB
230	HS-20553	2	SCREW,4X3-8,SLFTP,PNHD,PHIL,ZN
248	PL-22655	1	COVER,IPOD CABLE ACCESS
331	AW-22357	1	CABLE,GFX CHASSIS GND
332	AW-22537	1	CABLE,770T 670T GFX BOARD TO M
333	AW-22543	1	CABLE,CHR GRIP
334	AW-22547	1	CABLE,HANDSET MEMBRANE,770T
335	770A-365	1	CABLE,THUMB CONTROLS
336	770A-358	1	CABLE, USB JUMPER
337	AX-21339	2	PLATE,GRIP,LOWER INSERT,W-META
338	AX-21340	2	PLATE,GRIP,UPPER INSERT,W-META
339	PKCP-23317	1	KIT,LCD,CARDIO SCREEN 4.3,770T
340	KOCP-25536	1	KIT, DISPLAY, 4.3 LCD OPEN FRAME
341	HS-18320	7	SCREW,6-19X1-2 in,PNHD PHIL,ZN
343	PL-22580	1	BRKT,HANDSET SUPPORT,LEFT

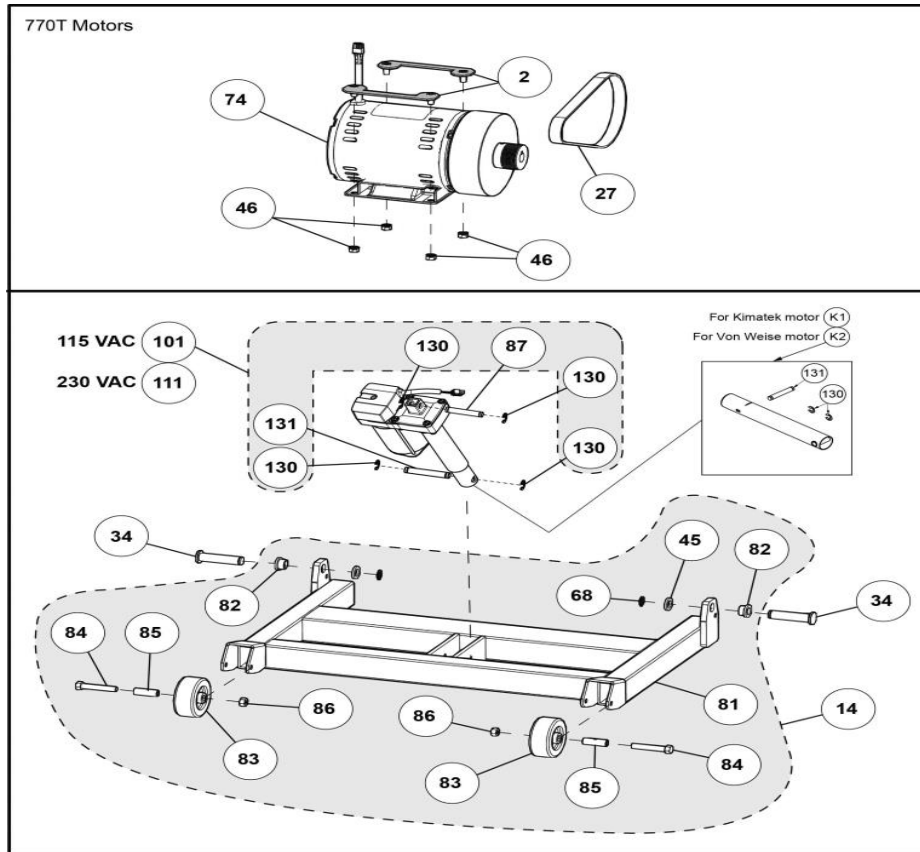
Ref #	Part Number	Qty	Description
344	PL-22581	1	BRKT,HANDSET SUPPORT,RIGHT
345	SW-22388	1	MEMBRANE,THUMB CONTROL,RIGHT,S
347	SW-22545	1	MEMBRAME,THUMB CONTROL,LEFT,IN
348	KPL-23294	1	KIT,HANDSET W-MEMBRANES,NO GUI
349	KAX-23293	1	KIT,CHR GRIPS W-CABLE

770T Hardware Manual and Power Cords



Ref #	Part Number	Qty	Description
57	HS-21672	2	SCREW 8-32-1/2in TT TRILOBULAR
104A	AW-20280	2	POWER CORD,115V,20A,60HZ
104B	AW-24574	2	POWER CORD,115V 20A 60Hz,6FT
105	AW-20281	2	POWER CORD,220V 15A,60HZ
106	AW-20282	2	POWER CORD,230V,16A,50HZ
107	AW-20283	2	POWER CORD,UK,230V,13A,50HZ
108	AW-22228	2	POWER CORD,13A,250V IEC 60320,
109	AW-24059	2	POWERCORD,250V 15A AUS/NZ
110	AW-25664	2	POWER CORD,16A/250V,2.5m,CHINE
231	HS-22651	2	BOLT,3-8-16-.75 BHCS,ZN
300	AX-23019	2	KIT,INSTALL,HARDWARE,770T
301	AX-22778	2	STANDOFF,M-F,3-8-16X1.60, .75H
302	AX-22779	2	STANDOFF,M-F,3-8-16X 2.59, .75
303	FS-23071	2	BRACKET,POWER CORD RETAINING
306	HX-00440	2	HEX KEY 7-32IN.
313	LT-22983	2	Owner Manual 770T
314	LT-22984	2	POSTER,ASSEMBLY,770T
315	LT-23016-4	2	WARRANTY,770T,FULL COMMERCIAL,
316	LT-19453	2	WARRANTY,CONSUMER TREADS,PINK

770T Motors



Ref #	Part Number	Qty	Description
K1	PKHX-25604	1	ELEV,TUBENUT,KIMATEK 525 625 7
2	AF-20052	1	BRKT,MOTOR,MOUNTING,7XXT
K2	PKHX-25605	1	ELEV,TUBENUT,VON WEISE 525 625
14	AX-24743	1	ASSY,ELEVATION,770T
27	BD-22464	1	BELT,DRIVE,POLY-V8 RIB AC MOTO
34	FM-20096	2	PIN,ELEVATION PIVOT
45	HB-20098	2	BEARING,THRUST,BRONZE,.623IDX1
46	HN-11136	4	KEPS 5/16-18 HEX STL ZINC
68	HX-13771	2	RING,RETAIN,5-8" .579 FR.ID
74	MR-22239	1	MOTOR,AC DRIVE 220V,3HP
81	AF-24742	1	WELDMENT,ELEVATION,770T
82	HB-20097	2	BEARING,FLANGE,BRONZE,.625IDX.
83	CW-22240	2	WHEEL,80MM DIA X 32MM W
84	HS-60022	2	BOLT,3-8X2.25,HXHD CAP,BLK ZN,
85	HX-22247	2	BUSHING,SPANNER,.500 OD X 1.5i
86	HN-60064	2	NUT JAM 3-8IN.-16 BLK ZN
87	FM-25595	1	SHAFT,ELEVATION UPPER
101	PKMR-23291	1	Kit,ElevationMotor 115v,625T/7
111	PKMR-23292	1	Kit,ElevationMotor 220v,625T/7
130	HX-25594	4	RING RETAINING EXT,3-8 IN SHAF
131	FM-24429	1	SHAFT,ELEVATION,LOWER

