

790T Treadmill

790T-E3-05

Parts Manual

1/5/2019 5:45:11 AM

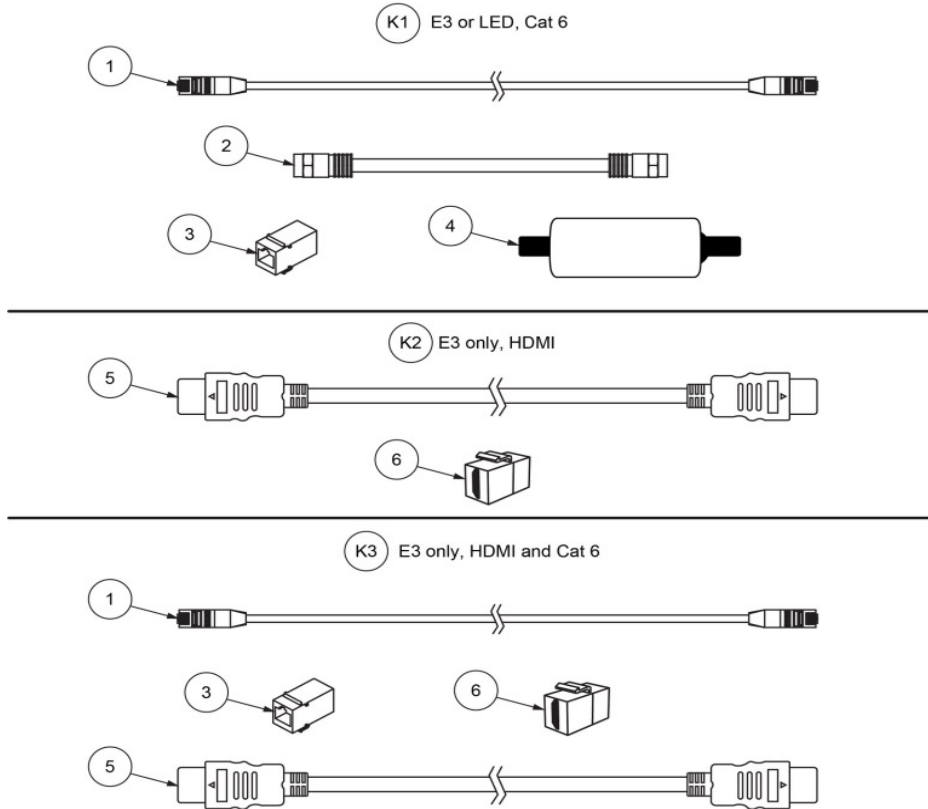


Table of Contents

STB upgrade kit 770T.....	3
625T 770T Service Wheel.....	4
625 770 790 Asset Management Kit.....	5
770T Console Covers.....	6
770T E3 View Lower Electronics After J0813.....	7
770T E3 View Upright.....	9
770T Handset.....	10
790T Belt Deck Rollers.....	12
790T E3 View Console Electronics (L0801 to Current).....	14
790T Frame.....	16
790T Hardware Manual and Power Cords.....	18
790T Motors.....	19

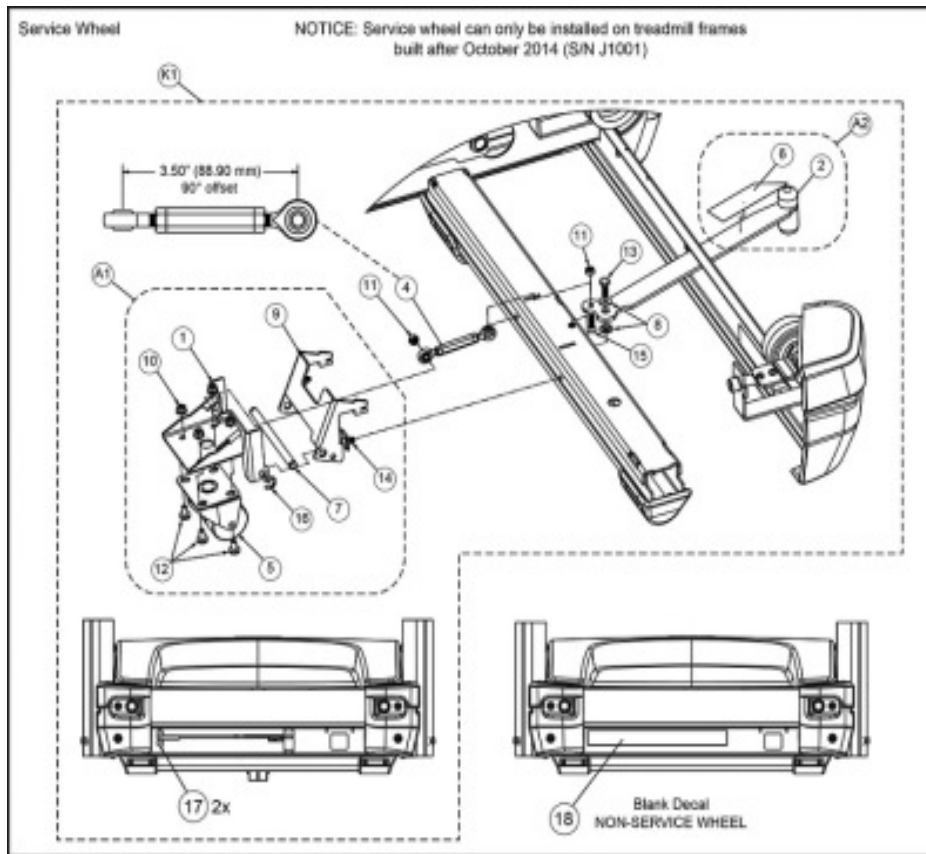
STB_upgrade_kit_770T

770T, 790T Treadmill, Set Top Box Kit



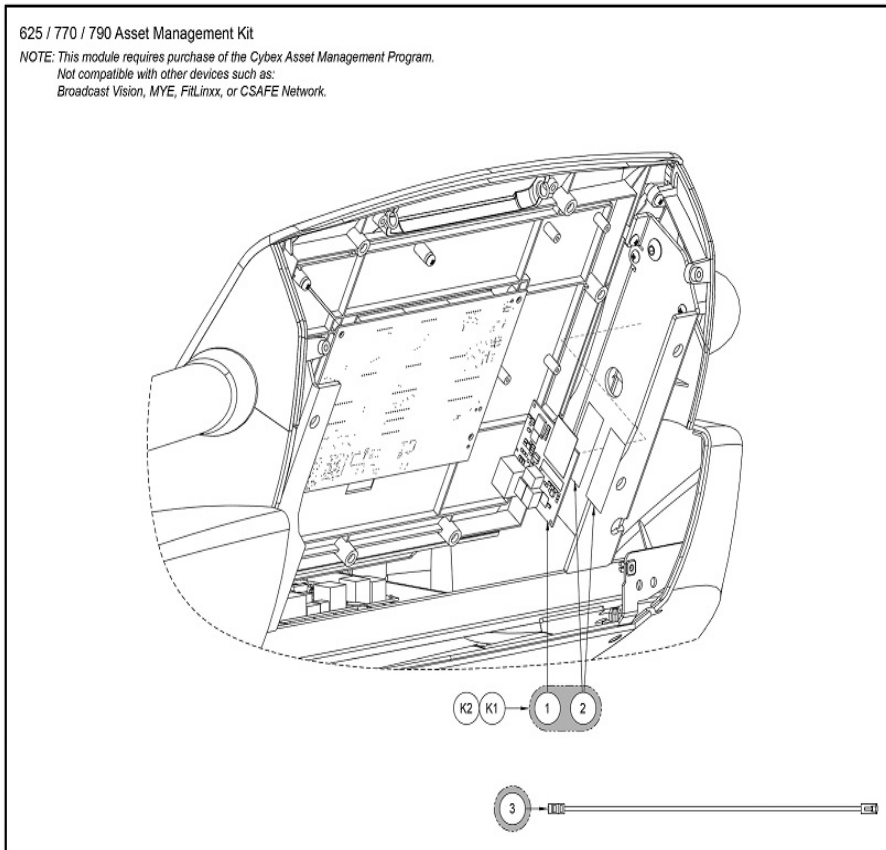
Ref #	Part Number	Qty	Description
1	AW-24865	1	CABLE,CAT6 SHIELDED,2.5M(98.4I
K1	PKAW-25940	1	UPGRADE KIT,TREAD 7X0 E3,LED CAT6
2	AW-25319	1	CABLE,6",RG6,750 OHM,BLACK,M-M
K2	PKAW-25941	1	UPGRADE KIT, TREAD, EPDM HDMI
3	CN-24895	1	COUPLER,CAT6 SHIELDED RJ45 8 C
K3	PKAW-25943	1	UPGRADE KIT, TREAD, EPDM HDMI CAT6
4	EC-25318	1	ISOLATOR,COAX,GRND LOOP,5-860M
5	AW-25819	1	CABLE, HDMI 8' HIGH SPEED M-M
6	CN-25816	1	COUPLER, HDMI KEYSTONE

625T 770T Service Wheel



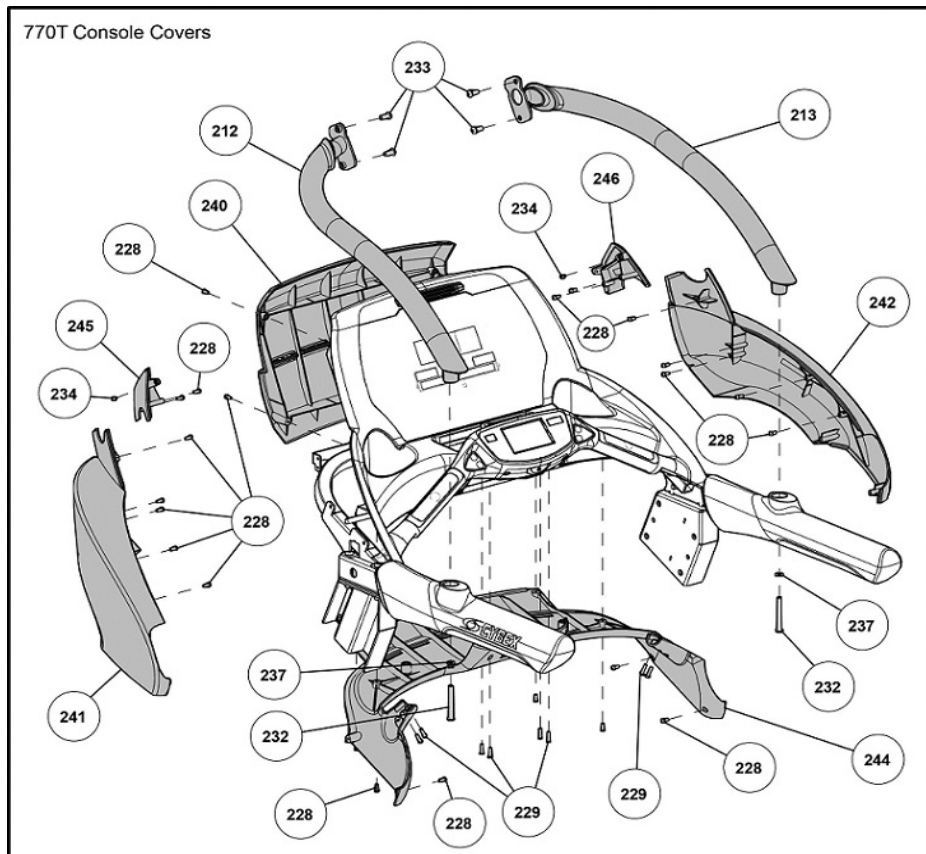
Ref #	Part Number	Qty	Description
K1	KAX-25516	1	KIT,SERVICE WHEEL,625T 770T
A1	AX-25575	1	ASSY,BRKT,SERVICE WHEEL 525T,6
1	AF-24996	1	WELD,BRKT WHEEL MOUNT,525T,625T,770T
2	AF-25002	1	WELD,LEVER,SERVICE WHEEL,625T 770T 790T
A2	AX-25578	1	ASSY,HANDLE,SERVICE WHEEL 625T
4	AX-24987	1	ASSY,ROD END,SERVICE WHEEL
5	CW-25006	1	CASTOR,SWIVEL,SERVICE WHEEL
6	DE-25047-4	1	DECAL,PROTECTIVE,SLIDE LEVER,E
7	FM-24997	1	PIN,BRKT,3RD WHEEL
8	FM-24999	2	SPACER,PIVOT
9	FS-24994	1	BRKT,FRAME PIVOT,SERVICE WHEEL
10	HN-12079	4	KEPS 1-4-20 HEX STL ZINC
11	HN-25189	2	NUT,NYLOCK M6X1,YELLOW ZN
12	HS-16875	4	BOLT SEMS,1-4-20X.5,PNHD PHIL,
13	HS-25017	1	BOLT,1-4X20X3-4,HXHD STL ZN GR
14	HS-25020	1	SCREW,TT,1-4X-20X1-2" PNHD PHI
15	HS-25111	1	SCREW,M6X1-22MM,FLHD,SOC CAP,S
16	HX-24689	16	RETAINING RING,3-8 SHAFT,E TYP
17	HX-25018	2	BUMPER,RUBBER,ROUND PUSH-IN
18	DE-25046	1	DECAL,REAR ROLLER GUARD

625 770 790 Asset Management Kit



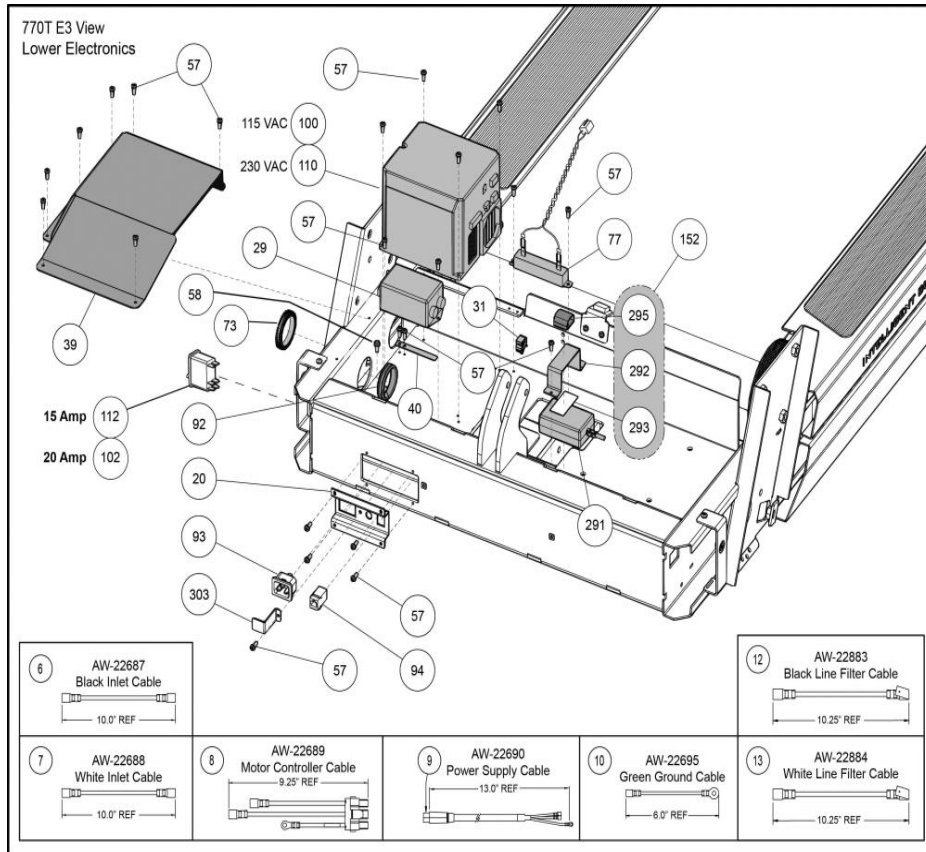
Ref #	Part Number	Qty	Description
1	AD-25136	1	NLA: PCA,ELECT IMP AWM,SLDR MOD,US
1	AD-25138	1	PCA,ELECT IMP AWM,SLDR MOD,EU
K1	KU-25238	1	UPGRADE KIT,AWM,IMP, 525 625 7
2	HX-25109	2	TAPE,DBL SIDED,VHB,1.0X.25X.12
K2	KU-25239	1	UPGRADE KIT,AWM,IMP, 525 625 7
3	AW-23501	1	CABLE,CAT5E 18in

770T Console Covers



Ref #	Part Number	Qty	Description
212	AX-22468	1	ASSY,HANDRAIL,SECONDARY,LEFT,7
213	AX-22469	1	ASSY,HANDRAIL,SECONDARY,RIGHT,
228	HS-15706	18	SCREW,8-16X.50,PNHD,STL,BLK ZN CLR,TYP WB
229	HS-18311	8	SCREW,8-16X.75,PNHD PHIL,STL,B
232	HS-22899	2	BOLT,5-16-18X2.75,BTHD SOC CAP
233	HS-41072	4	BOLT,5-16-18X.75,BTHD CAP,SST,
234	HS-41187	2	SCREW SLFTP,8-16X.3125,PLASTITE
237	HW-53018	2	WASHER 5-16 SPLIT SS,BLK
240	PL-22557	1	CONSOLE BACK,625T 770T
241	PL-22558	1	CONSOLE SIDE,LEFT
242	PL-22559	1	CONSOLE SIDE,RIGHT
244	PL-22561	1	CONSOLE BOTTOM,770T
245	PL-22576	1	CONSOLE SIDE,UPPER LEFT,W-HDRL
246	PL-22577	1	CONSOLE SIDE,UPPER RIGHT,W-HDR

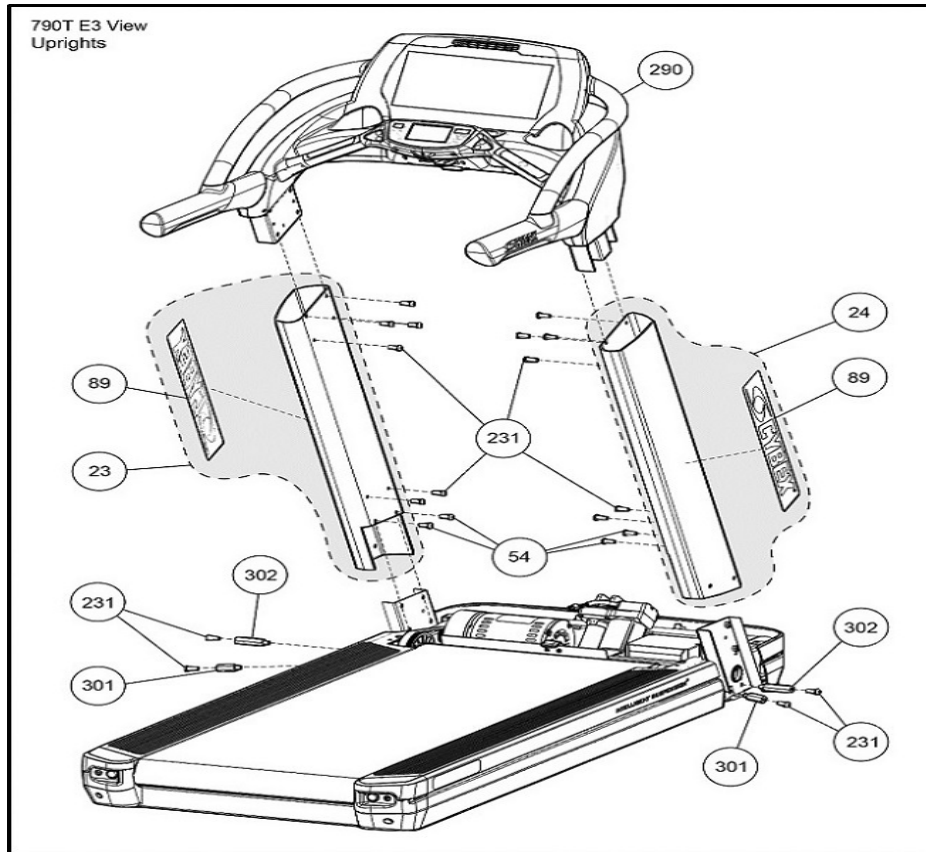
770T E3 View Lower Electronics After J0813



Ref #	Part Number	Qty	Description
6	AW-22687	1	WIRE 10IN JUMPER BLACK
7	AW-22688	1	WIRE 10IN JUMPER WHITE
8	AW-22689	1	CABLE,MOTOR CONTROLLER
9	AW-22690	1	CORD,AUX POWER SUPPLY,C5 250V
10	AW-22695	1	WIRE 6in INLET GND JUMPER
12	AW-22883	1	WIRE10.25in JUMPER BLACK WITH
13	AW-22884	1	WIRE10.25in JUMPER WHITE WITH
20	AF-25857	1	PLATE, POWER INLET, DUAL KEYST
29	EC-18896	1	FILTER,16A
31	EH-20254	1	CLIP,WIRE RETAINER,.24-.47"DIA
39	FS-23008	1	*COVER,CONTROLLER,770T
40	FS-23041	1	GROUND STRAP,CONTROLLER
57	HS-21672	22	SCREW 8-32-1/2in TT TRILOBULAR
58	HS-22815	1	SCREW,10-32 X .50,TAPTITE,GREE
73	HX-22832	1	GROMMET,MOLDED,CUT TO LENGTH 5
77	RE-23040	1	RESISTOR,TM5 DYNAMIC BRAKE,7.5
92	EH-16809	1	GROMMET,1.12X.091-.125 NYLON
93	EH-22691	1	INLET IEC320 16-20AMP SNAP FIT
94	CN-22747	1	COUPLER,RJ45 F-F PANEL MOUNT
100	AD-23914	1	CONTROLLER,115 IP,PFC
102	SW-19667	1	SWITCH,THERMAL CB,20AMP 240V,R
110	AD-23915	1	CONTROLLER,230 2N,NON PFC

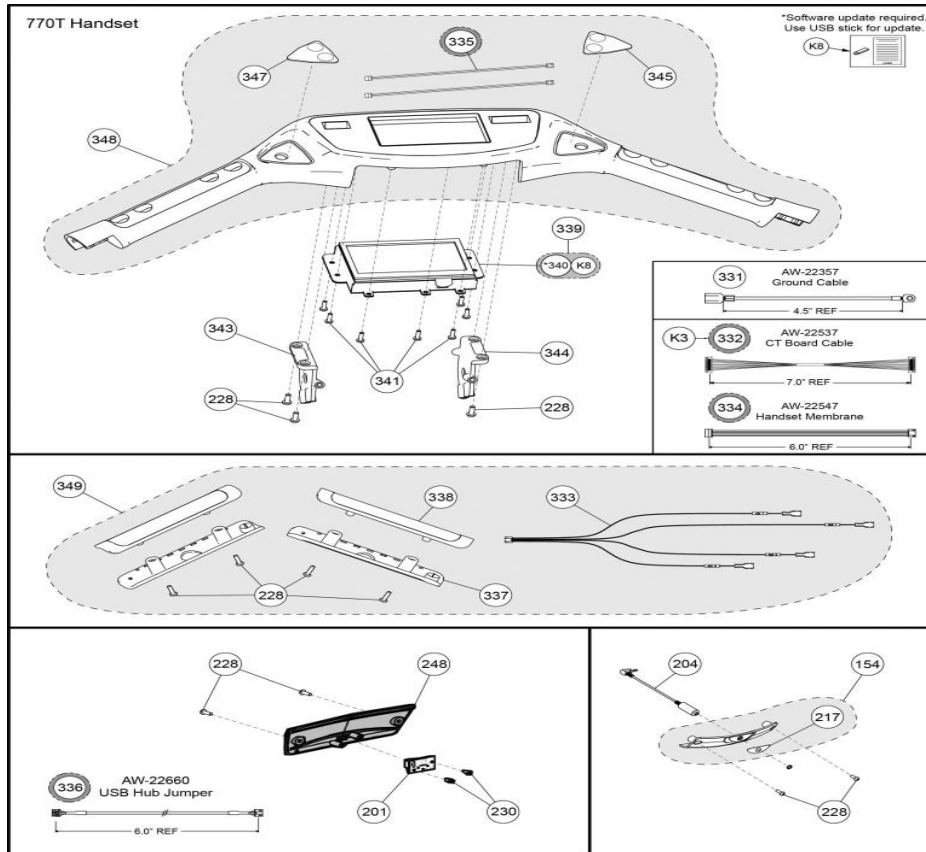
Ref #	Part Number	Qty	Description
112	SW-19666	1	SWITCH,THERMAL CB,15AMP 240V,R
152	KAX-23290	1	KIT,BRACKET,POWER SUPPLY
291	TR-25808	1	POWER SUPPLY,12V 3A 36W CEC LE
292	FS-21372	1	STRAP,AV PW SUPPLY,750C
293	HX-21603	1	TAPE, DBL SIDED, 1 X 2 X .032
295	HX-14416	1	CLIP,WIRE LATCHING,1X1
303	FS-23071	1	BRACKET,POWER CORD RETAINING

770T E3 View Upright



Ref #	Part Number	Qty	Description
23	AX-23009	1	ASSY, UPRIGHT, LEFT Custom
24	AX-23010	1	ASSY, UPRIGHT, RIGHT Custom
54	HS-16929	4	BOLT WHIZ LCK, 3-8-16X.625, HXHD
89	DE-23249	12	DECAL, CYBEX, COOL GRAY
231	HS-22651	4	BOLT, 3-8-16-.75 BHCS, ZN
290	AC-23027	1	CONSOLE ASSY, 770T EPEM, DVBT
290	AC-23026	1	CONSOLE ASSY, 770T EPEM, ATSC
301	AX-22778	2	STANDOFF, M-F, 3-8-16X1.60, .75H
302	AX-22779	2	STANDOFF, M-F, 3-8-16X 2.59, .75

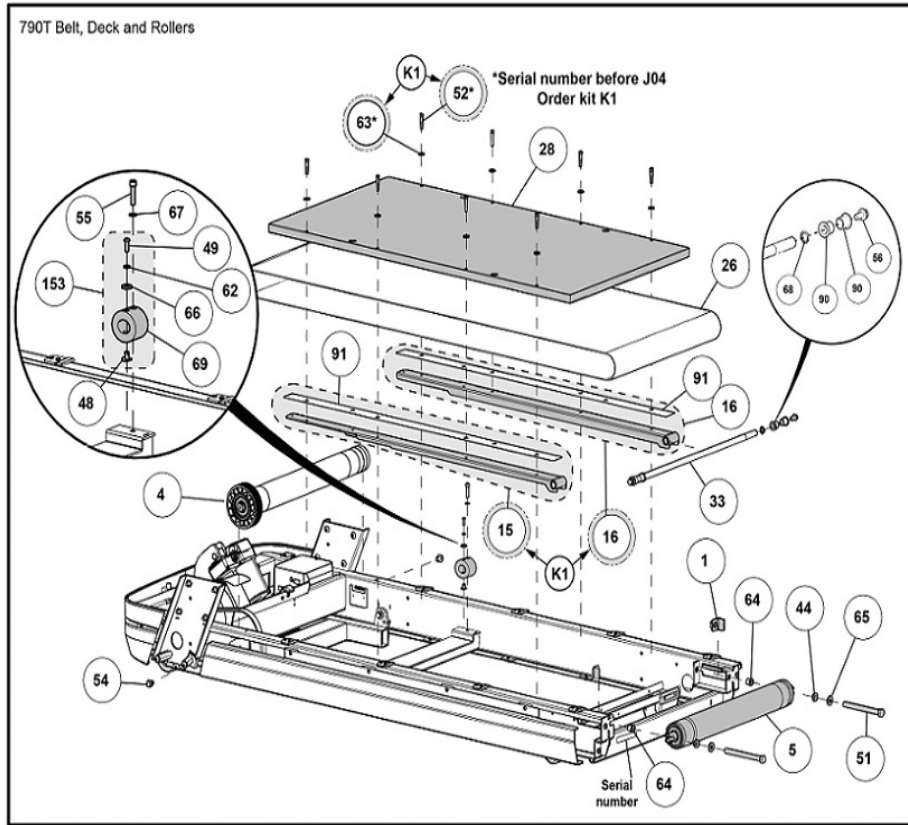
770T Handset



Ref #	Part Number	Qty	Description
K3	KAW-24392	1	KIT,770T CONSOLE CABLES
K8	CP-23199	1	USB 2.0 FLASH DRIVE,BLANK CDW 424820 for kit PKCP-23201
154	KPL-23267	1	KIT,COVER,MCC ACCESS,AV
201	AD-22659	1	PCA,USB
204	AW-22480	1	CABLE,HEADPHONE JACK JUMPER
217	DE-22784	1	DECAL,HEADPHONE JACK,770T
228	HS-15706	4	SCREW,8-16X.50,PNHD,STL,BLK ZN CLR,TYP WB
230	HS-20553	2	SCREW,4X3-8,SLFTP,PNHD,PHIL,ZN
248	PL-22655	1	COVER,IPOD CABLE ACCESS
331	AW-22357	1	CABLE,GFX CHASSIS GND
332	AW-22537	1	CABLE,770T 670T GFX BOARD TO M
333	AW-22543	1	CABLE,CHR GRIP
334	AW-22547	1	CABLE,HANDSET MEMBRANE,770T
335	770A-365	1	CABLE,THUMB CONTROLS
336	770A-358	1	CABLE, USB JUMPER
337	AX-21339	2	PLATE,GRIP,LOWER INSERT,W-META
338	AX-21340	2	PLATE,GRIP,UPPER INSERT,W-META
339	PKCP-23317	1	KIT,LCD,CARDIO SCREEN 4.3,770T
340	KOCP-25536	1	KIT, DISPLAY, 4.3 LCD OPEN FRAME
341	HS-18320	7	SCREW,6-19X1-2 in,PNHD PHIL,ZN
343	PL-22580	1	BRKT,HANDSET SUPPORT,LEFT

Ref #	Part Number	Qty	Description
344	PL-22581	1	BRKT,HANDSET SUPPORT,RIGHT
345	SW-22388	1	MEMBRANE,THUMB CONTROL,RIGHT,S
347	SW-22545	1	MEMBRAME,THUMB CONTROL,LEFT,IN
348	KPL-23294	1	KIT,HANDSET W-MEMBRANES,NO GUI
349	KAX-23293	1	KIT,CHR GRIPS W-CABLE

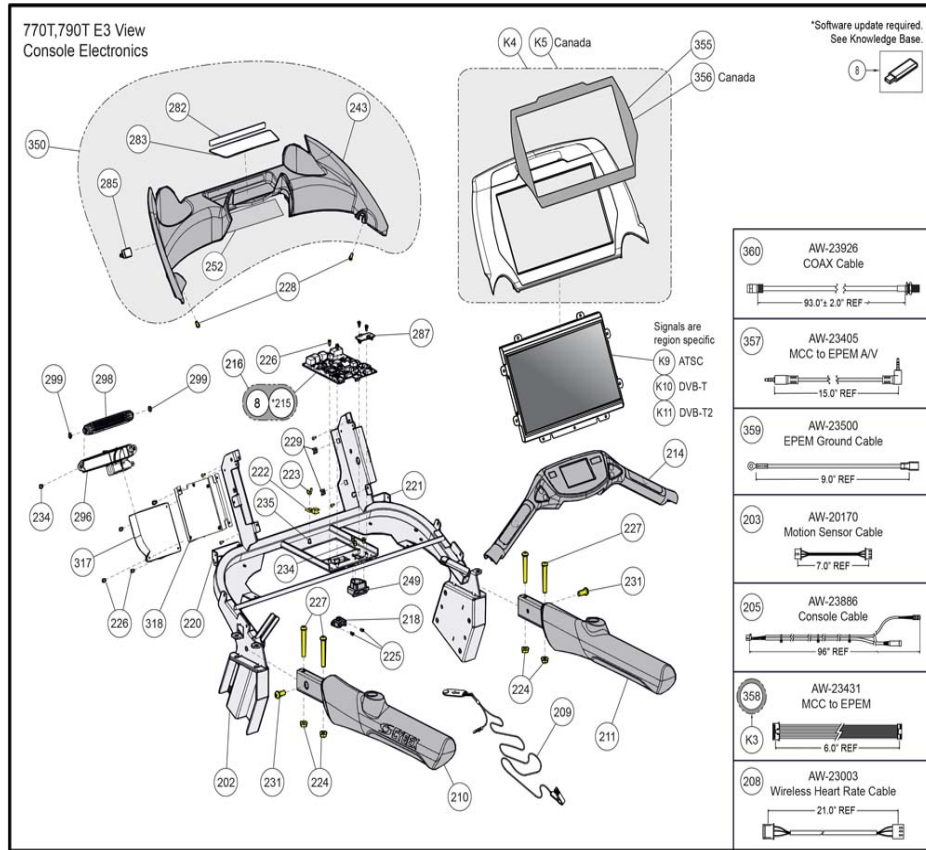
790T Belt Deck Rollers



Ref #	Part Number	Qty	Description
1	AF-19988	2	NUT,ROLLER,REAR FRONT,7XXT
K1	PKAF-25027	1	KIT,DECK STIFFNER,625T770T790T
4	AL-23161	1	ASSY,FRONT ROLLER,790T
5	AL-23587	1	ASSY,REAR ROLLER
15	AX-22451	1	ASSY,IS3 PIVOT BRACKET,LEFT,650T
16	AX-22454	1	ASSY,IS3 PIVOT BRACKET,RIGHT,650T
26	BD-22463	1	BELT,RUNNING,60" SYNTHETIC FIB
28	DK-22585	1	DECK,RUNNING,SYNTHETIC,625T
33	FM-22458	1	SHAFT,PIVOT IS3,770T
44	HB-16367	2	BUSHING .50IDX.62ODX.31LG,FLAN
48	HN-20041	2	NUT,1-4-20 PROPELLER .305 OD
49	HS-11347	2	BOLT,1-4-20X0.75,SCHD BTN,BLK
51	HS-15480	2	BOLT TAP,1-2-13X6,HXHD,G5
52	HS-24905	8	BOLT,5-16-18X1.75 HXHD,GR5,BLK ZN,W-LOCKING PATCH
54	HS-16929	2	BOLT WHIZ LCK,3-8-16X.625,HXHD
55	HS-18358	2	BOLT,5-16-18X.1.25,SCHD CAP,BL
56	HS-19108	2	SCREW 5-16-18X3-4LG,HXHD,WHIZ-
62	HW-00180	2	WSHR LOCK SPLIT 1-4,SST,BLK PASSIVATE
63	HW-24082	8	WSHR,PLAIN,5-16X .88 X .075,STL,ZN
64	HW-00590	2	BUSHING,NYLON,1-2 in
65	HW-10028	2	WSHR B 1-2 NARROW ZINC

Ref #	Part Number	Qty	Description
66	HW-18123	2	WSHR,,.344IDX.75 ODX.125THK,HAR
67	HW-20044	2	WSHR,BELLEVILLE,15X8.2X1.0MM,.
68	HX-13771	2	RING,RETAIN,5-8" .579 FR.ID
69	HX-19991	2	BUMPER,SPRING DECK,2.10X2.34X1
90	HB-18768	4	BEARING,IGUS LF-1011-12
91	HX-22457	2	TAPE 1.88X45in MYLAR
153	KHX-23265	2	KIT,DECK BUMPER

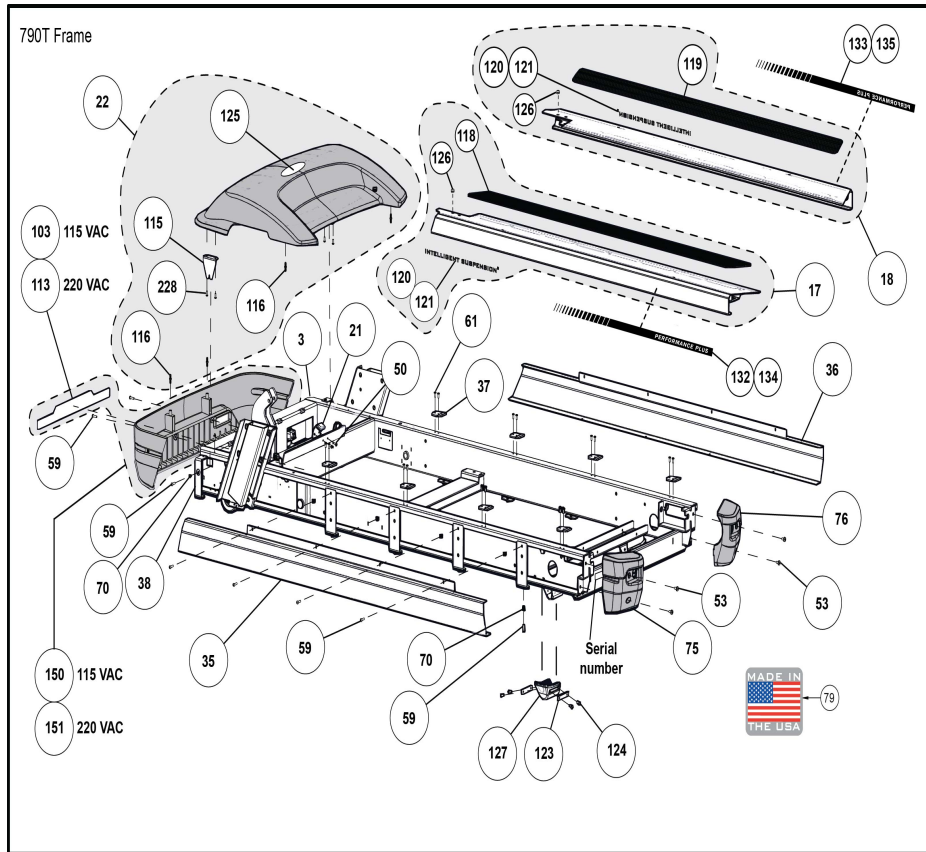
790T E3 View Console Electronics (L0801 to Current)



Ref #	Part Number	Qty	Description
K3	KAW-24392	1	KIT,770T CONSOLE CABLES
K4	PKPL-25119	1	KIT,BEZEL REPLACEMENT,E3,770T
K5	PKPL-25120-E	1	KIT-BEZEL REPLACE,770T,CAN
K8	CP-23199	1	USB 2.0 FLASH DRIVE,BLANK CDW 424820 for kit PKCP-23201
K9	PKRA-22564	1	NC KIT,E3 REFURBISHED ATSC (use PKCP-22564)
K9	PKCP-22564	1	R&R NC KIT,e3 Replacement ATSC
K10	PKCP-22565	1	KIT,e3 Replacement DVBT
K10	PKRA-22565	1	NC KIT,E3 REFURBISHED DVBT
K11	PKCP-25810	1	KIT,E3 Replacement DVBT2
K11	CP-25454	1	PEM,OPEN FRAME,DVBT2
202	AF-22595	1	WELDMENT,CONSOLE 770T
203	AW-20170	1	CABLE,MOTION SENSOR,750T 760T Sensor Dynamics
205	AW-23886	1	CABLE,CONSOLE 525T,EPEM
207	AW-22697	1	CABLE,770T iPod 30PIN
208	AW-23003	1	CABLE,WHR CONNECT,770T
209	AX-24103	1	ASSY,LANYARD,ESTOP KEY
210	AX-22466	1	ASSY,HANDRAIL,PRIMARY,LEFT,770
211	AX-22467	1	ASSY,HANDRAIL,PRIMARY,RIGHT,77
214	KPL-23294	1	KIT,HANDSET W-MEMBRANES,NO GUI
215	AD-22540	1	NC PCA,MCC UNPROGRAMMED,W AUDIO,625T 770T

Ref #	Part Number	Qty	Description
216	KAD-23318	1	KIT,MCC,PROGRAMMED
218	EC-23085	1	SENSOR,IR DISTANCE MEASURING
220	FS-22652	1	BRKT,CONSOLE COVER,LEFT
221	FS-22653	1	BRKT,CONSOLE COVER,RIGHT
222	FS-22881	1	BRKT,SUPPORT,MCC
223	HN-22766	1	NUT,8-32 WING,STL ZN,FORGED
224	HN-42043	4	NUT 3-8-16 FLANGED SS BO
225	HS-10716	2	SCREW,4-40X0.38,PNHD PHIL
226	HS-14391	8	SCREW SEMS,6-32X.38 PNHD PHIL
227	HS-14743	4	BOLT 3-8-16X 3 BTHD
228	HS-15706	2	SCREW,8-16X.50,PNHD,STL,BLK ZN CLR,TYP WB
229	HN-25291	2	NUT,FLOATING 1-4-20 STL ZINC
231	HS-22651	2	BOLT,3-8-16-.75 BHCS,ZN
234	HS-41187	1	SCREW SLFTP,8-16X.3125,PLASTITE
235	HW-13762	1	WASHER NO. 8 EXT ZNPL
243	PL-22560	1	CONSOLE ACCESSORY TRAY,770T
249	PL-22763	1	HOUSING,E-STOP,770T
252	HX-23070	1	SHIELD,MCC,770T
282	DE-22764	1	Decal Warn Console 770T Custom
283	DE-23296	1	LABEL: WARNING, LOWER, 625T CONSOLE Custom
285	EC-23020	1	SENSOR,WIRELESS HEART RATE BOA
287	EC-22886	1	SENSOR,CHR HUB
296	AX-25495	1	ASSY,FAN DUCT
298	770A-374	1	FAN LOUVER
299	HX-22649	2	O-RING,.334DIA X .070THK,BLACK
317	770A-373	1	FAN, 12VDC, 120X120MM, SIDE OUTLET
318	AF-22650	1	BRKT,FAN MOUNTING
350	KAX-23268	1	Kit 770T Accesory Tray
355	DE-22627	1	MEMBRANE,UPPER DISPLAY,EPEM,77
356	DE-22627-4	1	MEMBRANE,UPPER DISPLAY,EPEM,77
357	AW-23405	1	CABLE,625T 770T MCC TO EPEM AV
358	AW-23431	1	CABLE,625T 770T MCC TO EPEM
359	770A-412	1	CABLE, EPEM CHASSIS GROUND
360	AW-23926	1	CABLE,COAX, 525T

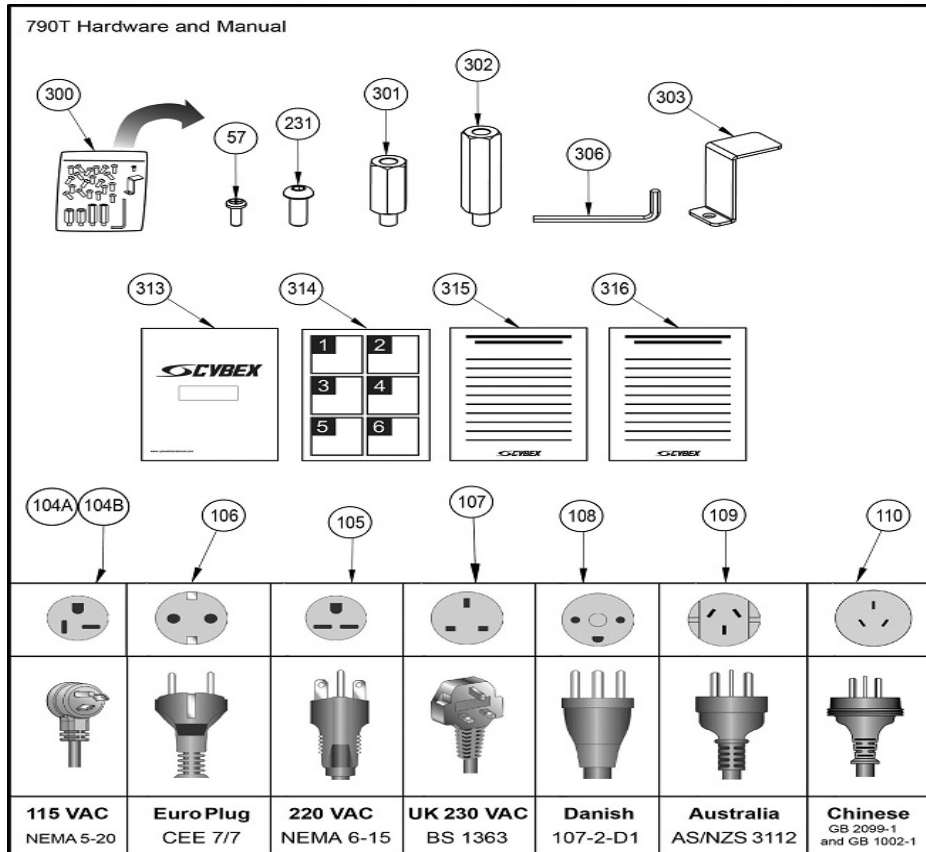
790T Frame



Ref #	Part Number	Qty	Description
3	AF-24441	1	WELDMNT,FRAME,790T Custom
17	AX-22483	1	ASSY, TOP STEP, LEFT, 770T Custom
18	AX-22487	1	ASSY, TOP STEP, RIGHT, 770T Custom
21	AX-22869	1	ASSY, MOTOR COVER SUPPORT
22	AX-22880	1	KIT, HOOD COVER, UPPER
35	PC-22492	1	PANEL, SIDE, LEFT, COATED, 770T Custom
36	PC-22493	1	PANEL, SIDE, RIGHT, COATED, 770T Custom
37	FS-22511	8	CLAMP, TOP STEP, 770T
38	FS-22866	1	BRKT, HOOD COVER
50	HS-11976	2	SCREW SEMS, 10-32X.38, EXT, ZN
53	HS-16875	4	BOLT SEMS, 1-4-20X.5, PNHD PHIL,
59	HS-22816	10	SCREW, 10-14 X .75, PLASTITE, STL
61	HS-41006	16	SCREW SLFTP, 10-24X.5, PNHD PHIL, 410SS, HRDBO, WAX, TT
70	HX-20360	2	INSERT, EXPANSION, PLASTIC, #8-#1
75	PL-22817	1	END CAP, LEFT, 770T
76	PL-22818	1	END CAP, RIGHT, 770T
79	11040-790	1	NLA: DECAL, MADE IN THE USA
103	DE-22910	1	LABEL, ETL, 115V WARNING, MOTOR COVER
113	DE-23079	1	LABEL, ETL, 220V WARNING, MOTOR COVER
115	FS-22870	2	BRKT, MOTOR COVER
116	HX-21519	2	PIN, PLASTIC RETAINIER

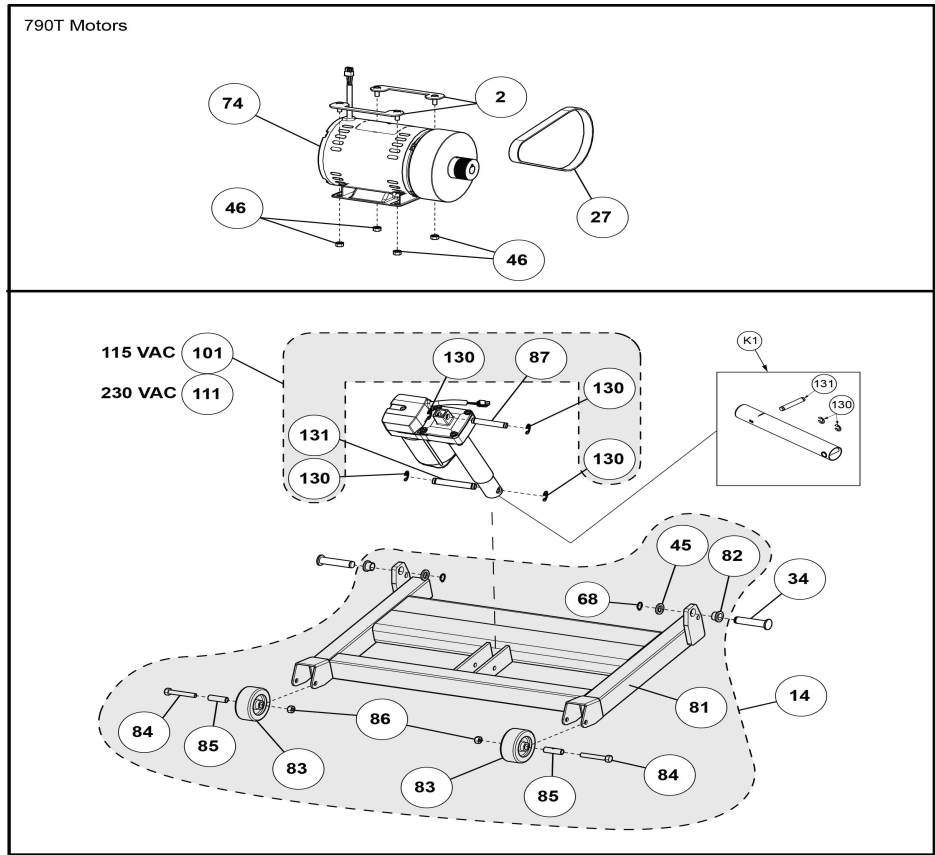
Ref #	Part Number	Qty	Description
118	DE-22491	1	DECAL, TOP STEP, LEFT
119	DE-22503	1	DECAL, TOP STEP, RIGHT
120	DE-22327	2	LABEL, BLACK, INTELLIGENT SUSPENSION 3
121	DE-22328	2	LABEL, SILVER, INTELLIGENT SUSPENSION 3
123	FS-16511	2	PLATE, REAR RUBBER FOOT MNT
124	HS-16509	4	SCREW SLFTP, 10X.5, PNHD, PLT, TYP
125	DE-19198	1	DECAL, CYBEX LOGO Empire screen
126	HX-22879	2	GROMMET, 7-32IDX17-32ODX25-64THK
127	HX-16510	2	FOOT, RUBBER, REAR
132	DE-24824	1	DECAL, LEFT RED, PERFORMANCE PLUS, 790T
133	DE-24825	1	DECAL, RIGHT RED, PERFORMANCE PLUS, 790T
134	DE-24888	1	DECAL, LEFT BLACK, PERFORMANCE PLUS, 790T
135	DE-24889	1	DECAL, RIGHT BLACK, PERFORMANCE PLUS, 790T
150	KAX-23288	1	KIT, COVER FRAME, FRONT W-DECAL
151	KAX-23289	1	KIT, COVER FRAME, FRONT W-DECAL
228	HS-15706	2	SCREW, 8-16X.50, PNHD, STL, BLK ZN CLR, TYP WB

790T Hardware Manual and Power Cords



Ref #	Part Number	Qty	Description
57	HS-21672	1	SCREW 8-32-1/2in TT TRILOBULAR
104B	AW-24574	1	POWER CORD,115V 20A 60Hz,6FT
104A	AW-20280	1	POWER CORD,115V,20A,60HZ
105	AW-20281	1	POWER CORD,220V 15A,60HZ
106	AW-20282	1	POWER CORD,230V,16A,50HZ
107	AW-20283	1	POWER CORD,UK,230V,13A,50HZ
108	AW-22228	1	POWER CORD,13A,250V IEC 60320,
109	AW-24059	1	POWERCORD,250V 15A AUS/NZ
110	AW-25664	1	POWER CORD,16A/250V,2.5m,CHINE
231	HS-22651	22	BOLT,3-8-16-.75 BHCS,ZN
300	AX-23019	1	KIT,INSTALL,HARDWARE,770T
301	AX-22778	2	STANDOFF,M-F,3-8-16X1.60, .75H
302	AX-22779	2	STANDOFF,M-F,3-8-16X 2.59, .75
303	FS-23071	1	BRACKET,POWER CORD RETAINING
306	HX-00440	1	HEX KEY 7-32IN.

790T Motors



Ref #	Part Number	Qty	Description
K1	PKHX-25603	1	ELEV TUBENUT,VON WEISS 790T
2	AF-20052	2	BRKT,MOTOR,MOUNTING,7XXT
14	AX-22416	1	ASSY,ELEVATION 790T
27	BD-22464	1	BELT,DRIVE,POLY-V8 RIB AC MOTO
34	FM-20096	2	PIN,ELEVATION PIVOT
45	HB-20098	2	BEARING,THRUST,BRONZE,.623ID X1
46	HN-11136	4	KEPS 5/16-18 HEX STL ZINC
68	HX-13771	2	RING,RETAIN,5-8" .579 FR.ID
74	MR-22239	1	MOTOR,AC DRIVE 220V,3HP
81	AF-22415	1	WELDMENT,ELEVATION,790T
82	HB-20097	2	BEARING,FLANGE,BRONZE,.625ID X.
83	CW-22240	2	WHEEL,80MM DIA X 32MM W
84	HS-60022	2	BOLT,3-8X2.25,HXHD CAP,BLK ZN,
85	HX-22247	2	BUSHING,SPANNER,.500 OD X 1.5i
86	HN-60064	2	NUT JAM 3-8IN.-16 BLK ZN
87	FM-25595	2	SHAFT,ELEVATION UPPER
101	PKMR-24820	1	Kit,Elevation Motor 115v,790T
111	PKMR-24821	1	Kit,Elevation Motor 220v,790T
130	HX-25594	1	RING RETAINING EXT,3-8 IN SHAF
131	FM-24429	1	SHAFT,ELEVATION,LOWER

