

# 90C Lifecycle - Prewired - Heart Rate

90C-0100-04

## Parts Manual

1/5/2019 5:52:21 AM



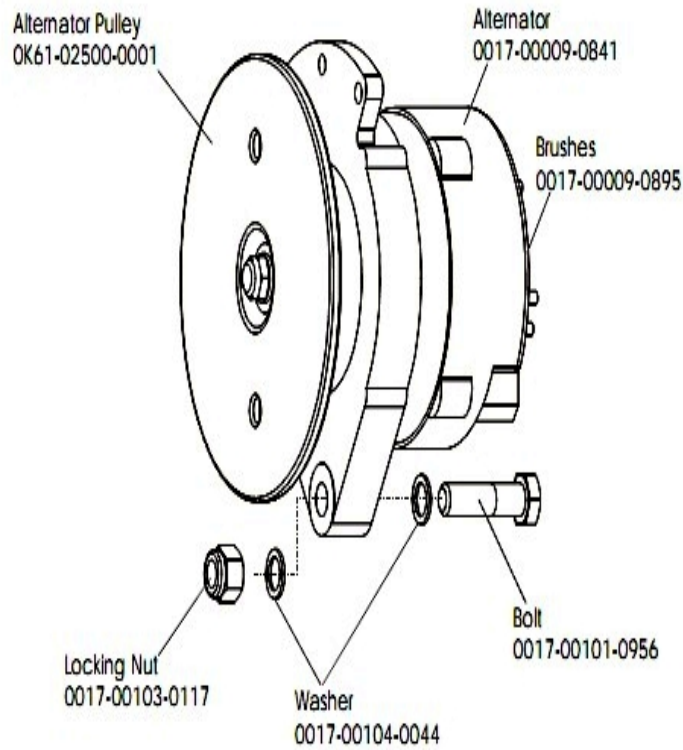
**LifeFitness**  
WHAT WE LIVE FOR

**Table of Contents**

---

[Alternator with Pulley](#).....3  
[Belts](#).....4  
[Cables](#).....5  
[Console Components](#).....6  
[Console Screws and Polar Covers](#).....7  
[Console Support Assembly](#).....8  
[Crankshaft and Bearing Assembly](#).....9  
[Front Wheel Assembly](#).....10  
[Handlebar Assembly](#).....11  
[Idler Bracket Assembly](#).....12  
[Intermediate Shaft and Bearing Assembly](#).....13  
[Left Side Shroud and Crank Arm](#).....14  
[Miscellaneous](#).....15  
[PCB Mounting Bracket Assembly](#).....16  
[Resistor Assembly](#).....17  
[Right Side Shroud and Crank Arm](#).....18  
[Seat Latch Assembly](#).....19  
[Seat Post Assembly](#).....20  
[Seat Post Shrouds](#).....21

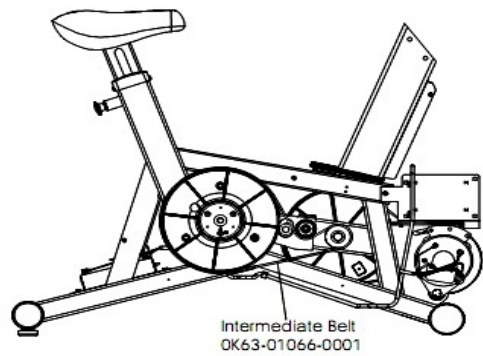
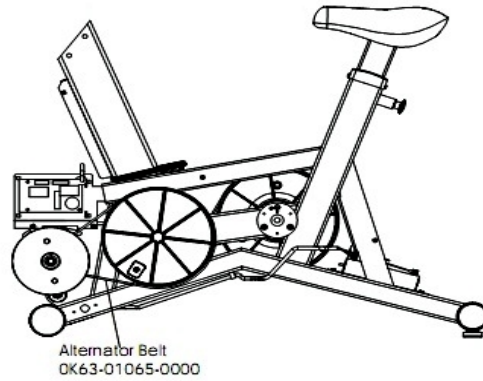
## Alternator with Pulley



Ref #	Part Number	Qty	Description
-	OK61-01027-0000	1	Flywheel: 6.75" D
-	0017-00103-0117	1	Hardware: Locking Nut 1/2" ID
-	AK63-00093-0000	1	Alternator w/Pulley
-	0017-00101-0956	1	Hardware: Bolt 2"
-	0017-00104-0044	2	Hardware: Washer 0.75" OD
-	0017-00009-0841	1	Alternator
-	0017-00009-0895	1	Alternator Brush Kit

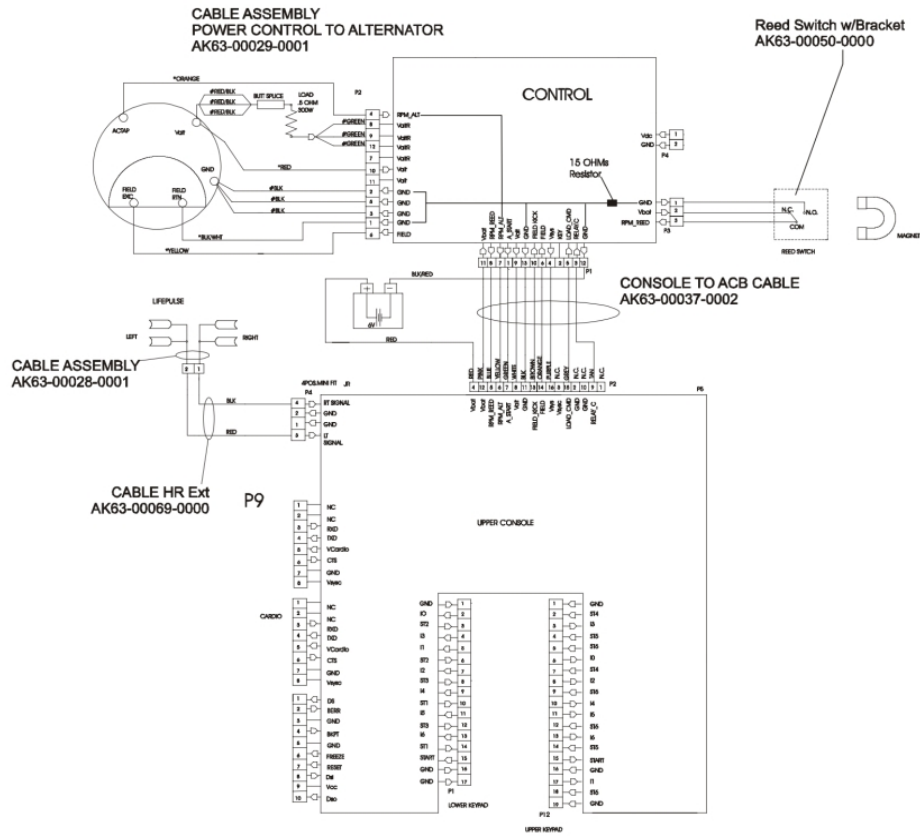
## Belts

---



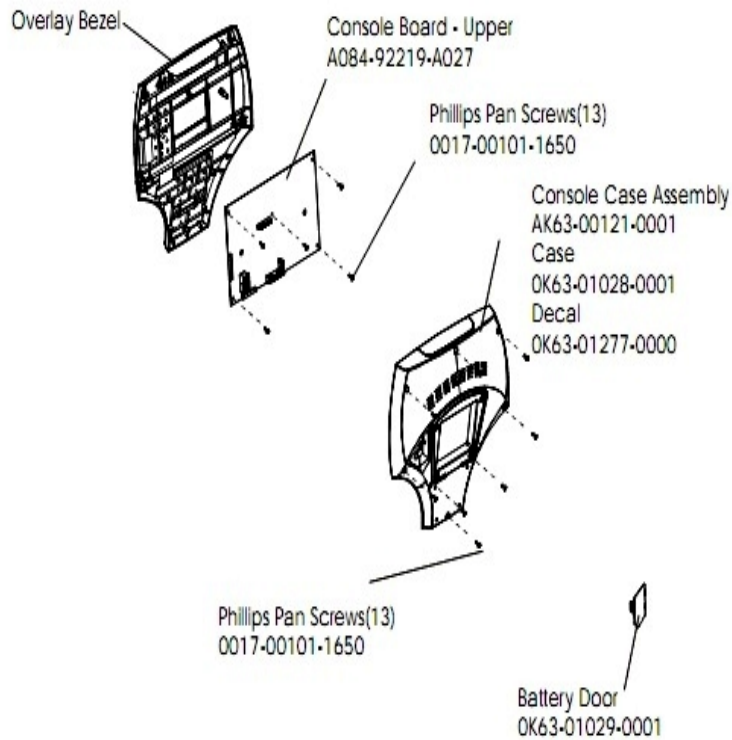
Ref #	Part Number	Qty	Description
-	OK63-01405-0000	1	BELT: POLY-V; 390J6; 39.00 IN
-	GK63-00002-0079	1	Kit: Upright/Rec Belt And Pulley

### Cables



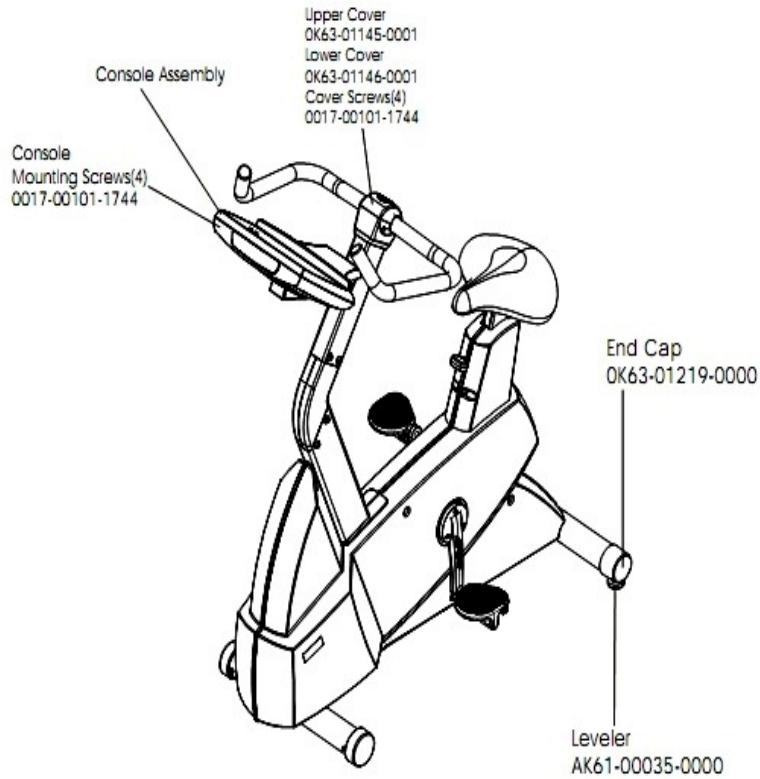
Ref #	Part Number	Qty	Description
-	AK63-00037-0002	1	Console Cable
-	AK63-00029-0001	1	Power Control Cable Assembly
-	AK63-00028-0001	1	LifePulse Cable
-	AK63-00069-0000	1	Heart Rate Cable
-	AK63-00050-0000	1	Reed Switch Bracket Assembly

## Console Components



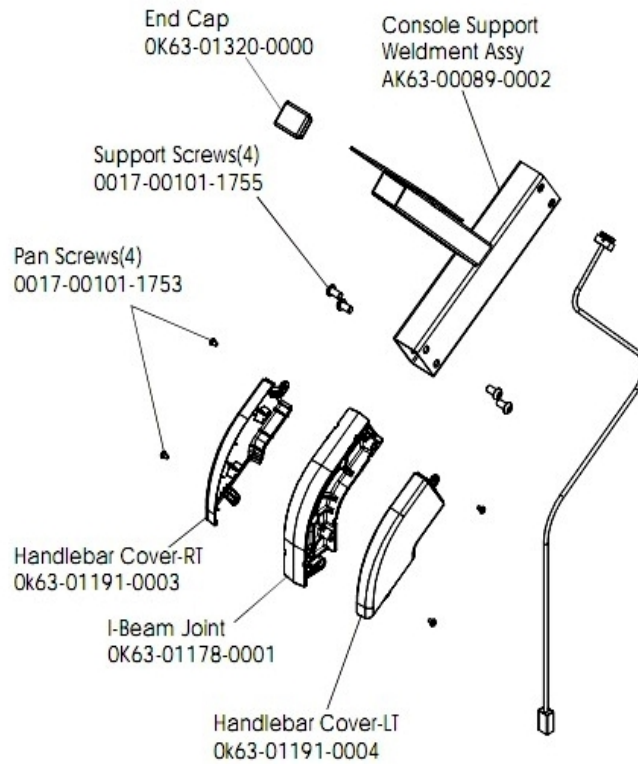
Ref #	Part Number	Qty	Description
-	OK63-01029-0001	1	Battery Door
-	A084-92219-A027	1	Console Board - Upper
-	AK63-00167-0002	1	Overlay/Bezel/Switch Assembly English Metric
-	OK63-01028-0001	1	Case
-	AK63-00290-0002	1	Console Assembly English Metric
-	0017-00101-1650	14	Hardware: Phillips Pan Screw 0.375"
-	AK63-00121-0001	1	Console Case Assembly
-	OK63-01277-0000	1	Console Decal

## Console Screws and Polar Covers



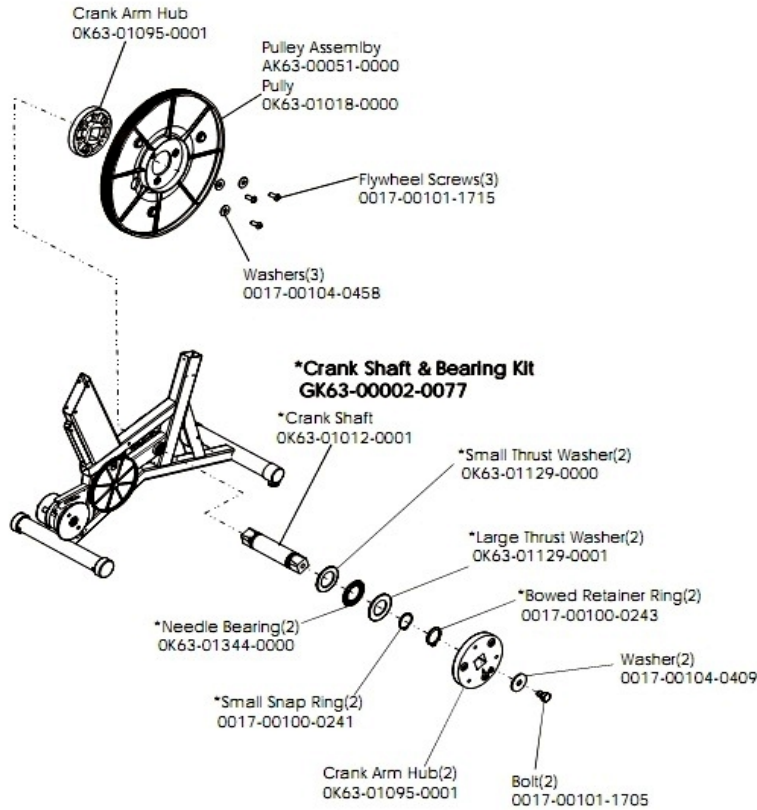
Ref #	Part Number	Qty	Description
-	OK63-01219-0000	1	End Cap
-	AK61-00035-0000	2	Leg Leveler
-	OK63-01146-0001	1	Lower Cover
-	0017-00101-1744	8	Hardware: Phillips Pan Screw
-	OK63-01145-0002	1	Upper Cover

## Console Support Assembly



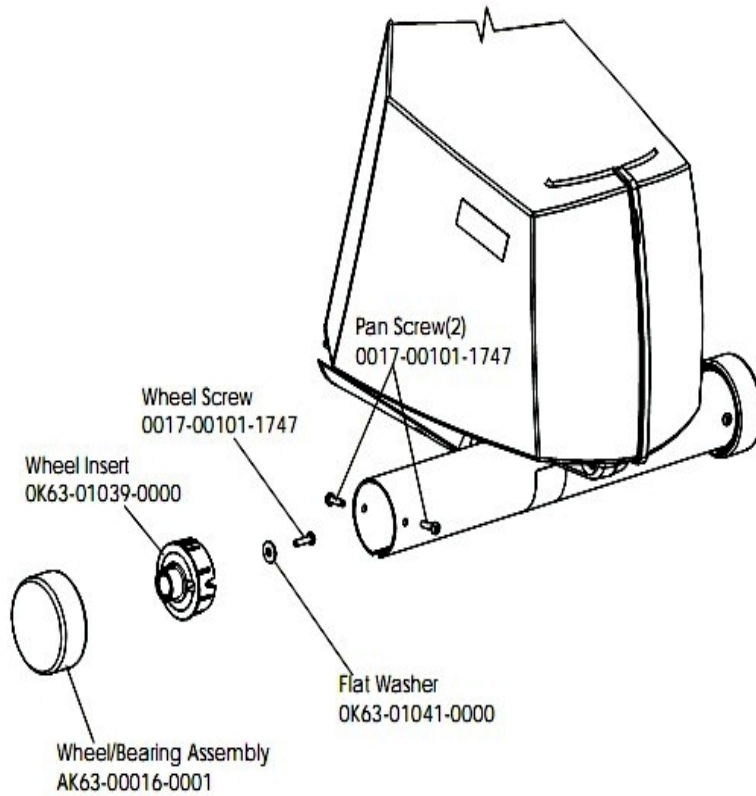
Ref #	Part Number	Qty	Description
-	AK63-00089-0002	1	Console Support Weldment Assembly
-	OK63-01320-0000	1	End Cap
-	OK63-01191-0003	1	Handlebar Cover-Right
-	OK63-01178-0001	1	I-Beam Joint
-	0017-00101-1753	4	Hardware: Pan Screw 0.3125"
-	0017-00101-1755	4	Hardware: TORX Bolt 0.75"
-	OK63-01191-0004	1	Handlebar Cover-Left

# Crankshaft and Bearing Assembly



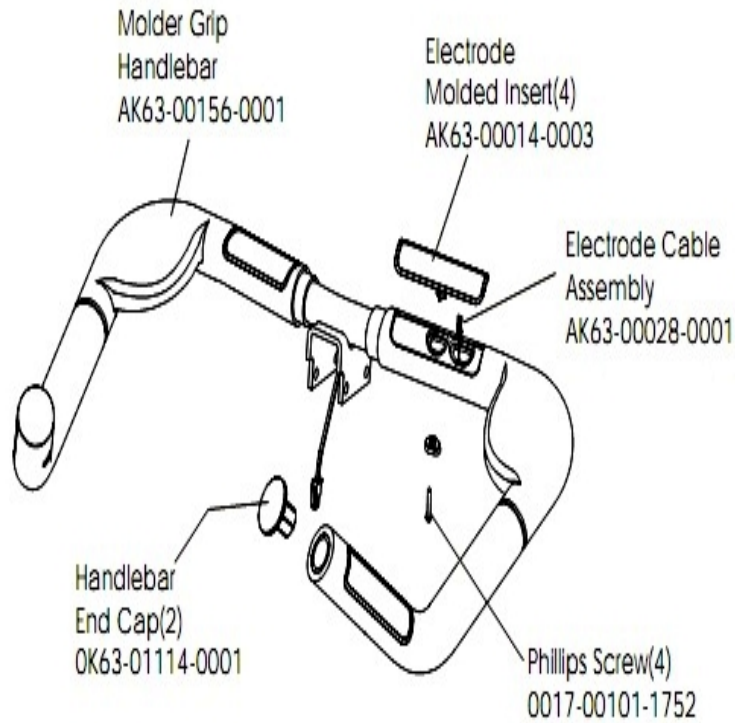
Ref #	Part Number	Qty	Description
-	0017-00101-1715	3	Hardware: TORX Cap Screw 0.625"
-	0017-00104-0409	2	Hardware: Washer 1.125" OD
-	OK63-01012-0001	1	Crankshaft
-	GK63-00002-0077	1	Crankshaft and Bearing Kit
-	OK63-01095-0001	3	Crank Arm Hub
-	OK63-01344-0000	2	Hardware: Needle Bearing
-	0017-00100-0241	2	Hardware: Small Snap Ring .984"
-	0017-00100-0243	2	Hardware: Bowed Retaining Ring .984"
-	OK63-01129-0000	2	Hardware: Small Thrust Washer
-	OK63-01129-0001	2	Hardware: Large Thrust Washer
-	AK63-00051-0000	1	Pulley Assembly
-	0017-00101-1705	2	Hardware: Bolt 0.5"
-	0017-00104-0458	3	Hardware: Flat Washer 0.75" OD
-	OK63-01018-0000	1	Crank Pulley

## Front Wheel Assembly



Ref #	Part Number	Qty	Description
-	OK63-01041-0000	2	Hardware: Flat Washer
-	AK63-00016-0001	2	Wheel/Bearing Assembly
-	OK63-01039-0000	2	Wheel Insert
-	0017-00101-1747	6	Hardware: Pan Screw 0.75"
-	AK63-00017-0001	2	Front Wheel Assembly

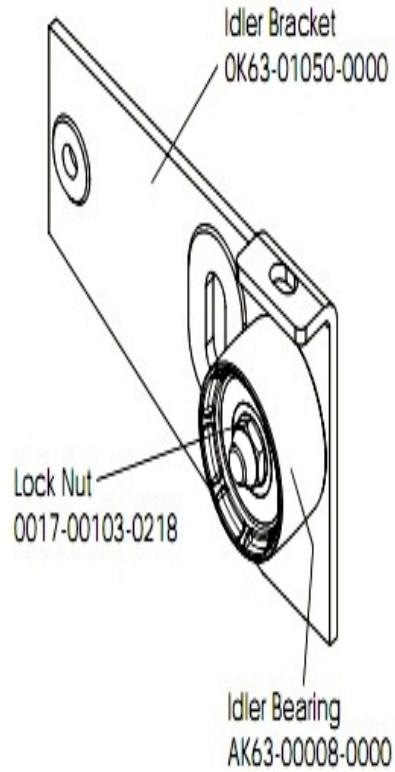
## Handlebar Assembly



Ref #	Part Number	Qty	Description
-	0017-00101-1752	4	Hardware: Phillips Screw 1"
-	AK63-00014-0003	4	Heart Rate Electrode
-	AK63-00028-0001	1	LifePulse Cable
-	OK63-01114-0001	2	Bullhorn Cap
-	AK63-00091-0001	2	Handle Bar

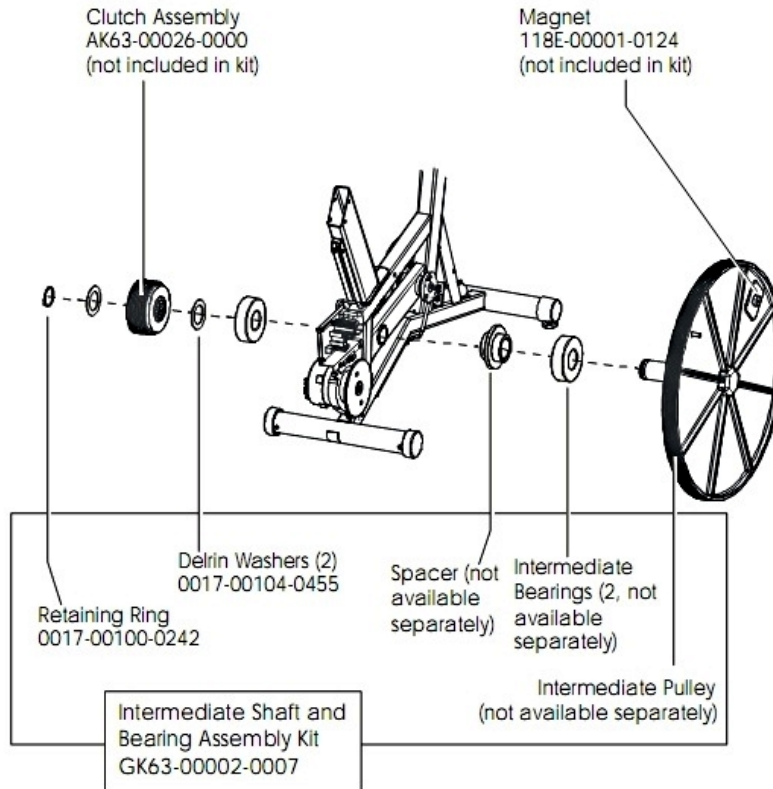
## Idler Bracket Assembly

---



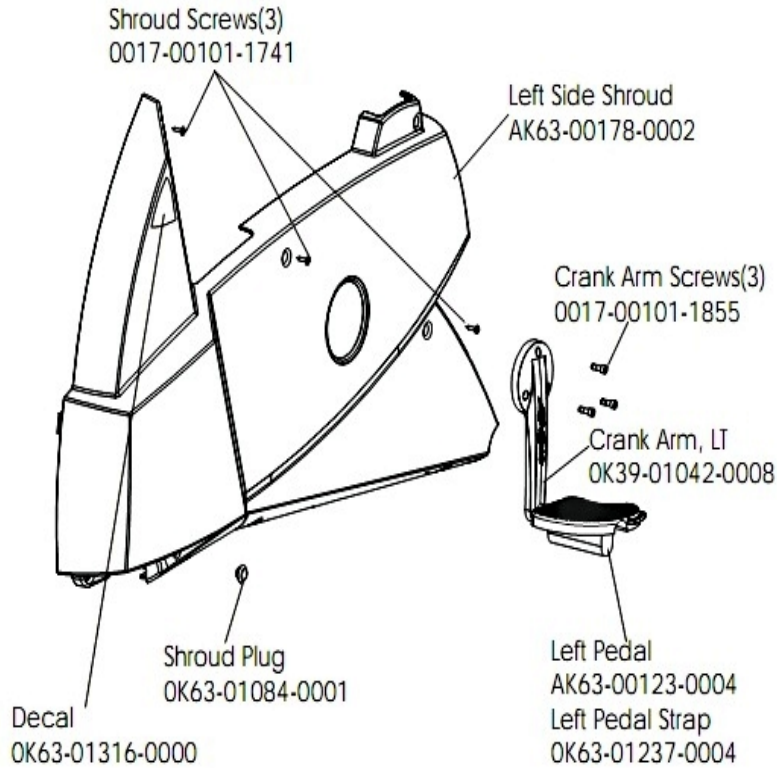
Ref #	Part Number	Qty	Description
-	AK63-00008-0000	1	Idler w/Bearing
-	OK63-01050-0000	1	Idler Bracket
-	AK63-00021-0000	1	Idler Bracket Assembly
-	0017-00103-0218	1	Hardware: Lock Nut 3/8" ID

## Intermediate Shaft and Bearing Assembly



Ref #	Part Number	Qty	Description
-	GK63-00002-0007	1	Intermediate Shaft and Bearing Assembly
-	0017-00100-0242	1	Hardware: Retaining Ring .781"
-	118E-00001-0124	1	Auto-Start Magnet
-	0017-00104-0455	2	Hardware: Delrin Washer 1.250" OD
-	GK63-00002-0079	1	Kit: Upright/Rec Belt And Pulley

## Left Side Shroud and Crank Arm



Ref #	Part Number	Qty	Description
-	0017-00101-1741	3	Hardware: Screw
-	OK39-01042-0008	1	Crank Arm: Left
-	OK63-01237-0004	1	Left Pedal Strap
-	0017-00101-1855	3	Hardware: TORX Screw 0.875"
-	OK63-01316-0000	1	Decal
-	OK63-01084-0001	1	Shroud Plug
-	AK63-00123-0004	1	Left Pedal
-	AK63-00178-0002	1	Left Side Shroud

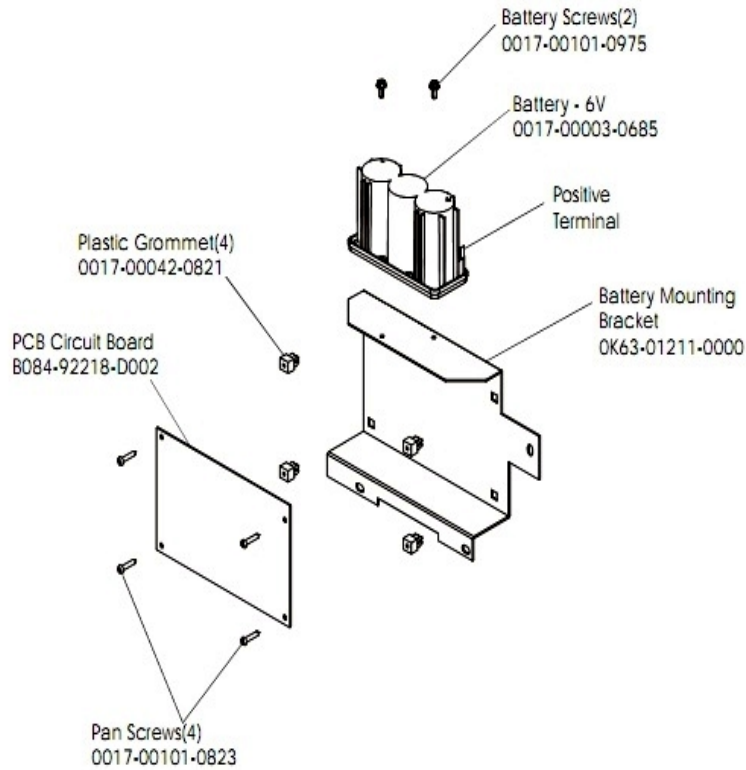
**Miscellaneous**

---

Ref #	Part Number	Qty	Description
-	GK63-00002-0044	1	Hardware Bag
-	GK63-00002-0044	1	Hardware Bag
-	GK63-00002-0044	1	Hardware Bag
-	GK63-00002-0044	1	Hardware Bag
-	GK63-00002-0044	1	Hardware Bag
-	GK63-00002-0044	1	Hardware Bag
-	AK32-00020-0001	1	Coax Cable: 90"
-	GK63-00002-0044	1	Hardware Bag
-	GK63-00002-0004	1	Accessory Tray
-	GK63-00002-0002	1	Polar Upgrade Kit
-	0K63-01329-0000	1	Bracket
-	GK63-00002-0044	1	Hardware Bag
-	GK63-00002-0044	1	Hardware Bag
-	0017-00008-0206	1	.33oz Pen - Arctic Silver
-	0017-00008-0205	1	5 oz Bottle - Arctic Silver
-	0017-00021-2846	1	F-Type Panel Connector
-	AK32-00078-0001	1	Power Extension Cable: 120"
-	AK63-00215-0000	1	Bracket Assembly
-	0017-00008-0204	1	Paint Spray Can - Arctic Silver

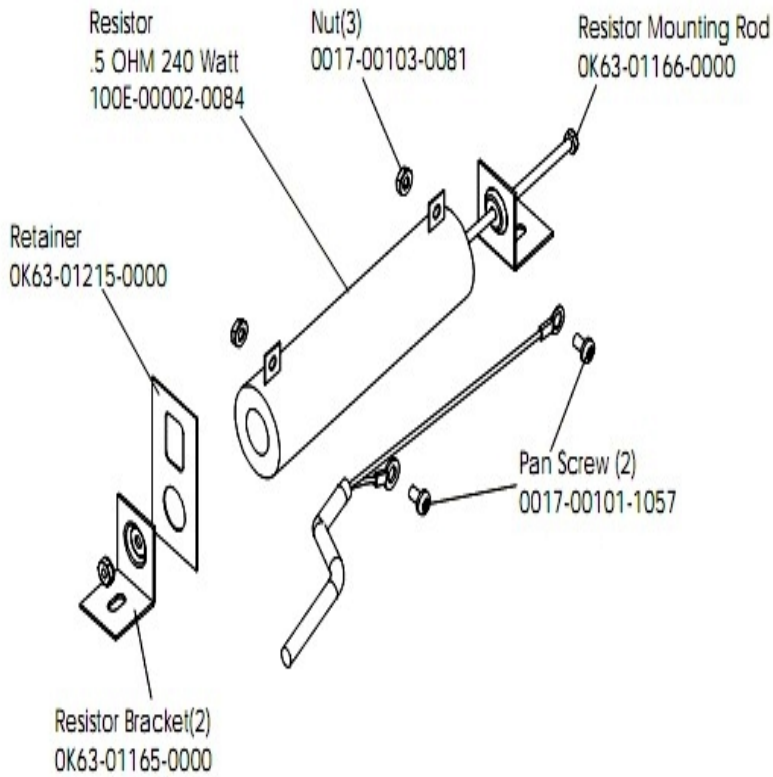
# PCB Mounting Bracket Assembly

Assembly Number - AK63-00049-0000



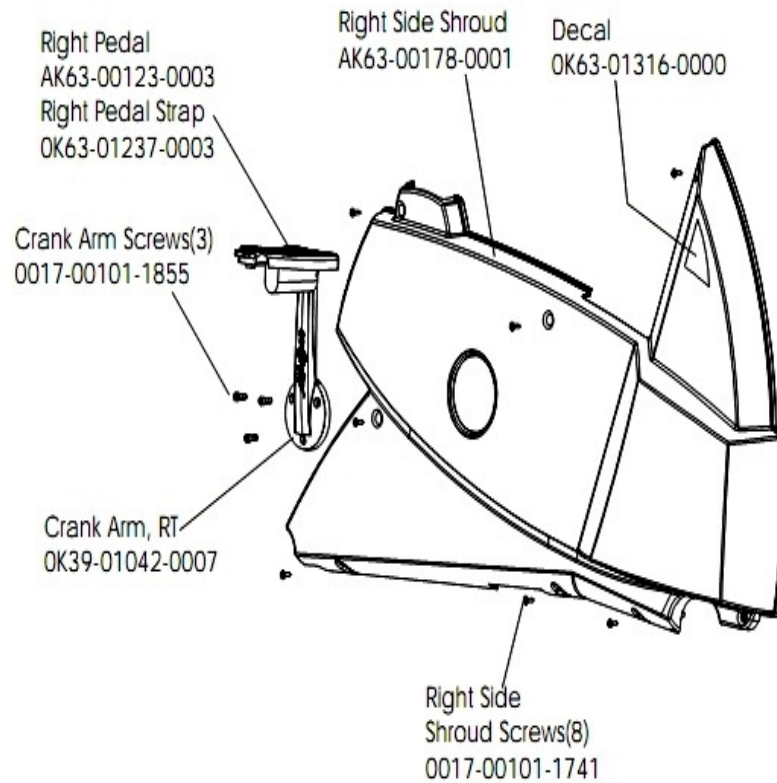
Ref #	Part Number	Qty	Description
-	0017-00101-0823	4	Hardware: Screw 0.75"
-	B084-92218-0000	1	PCB Circuit Board
-	0K63-01211-0000	1	Battery Mounting Bracket
-	AK63-00049-0000	1	PCB Mounting Bracket
-	0017-00101-0975	2	Hardware: Mounting Bolt 0.375"
-	0017-00003-0685	1	6V Battery
-	0017-00042-0821	4	Hardware: Plastic Grommet

## Resistor Assembly



Ref #	Part Number	Qty	Description
-	OK63-01166-0000	1	Resistor Mounting Rod
-	0017-00101-1057	2	Hardware: Pan Screw 0.5"
-	0017-00103-0081	3	Hardware: Hex Nut ID
-	AK63-00047-0000	1	Resistor Assembly
-	OK63-01165-0000	2	Resistor Bracket
-	100E-00002-0084	1	Resistor
-	OK63-01215-0000	1	Hardware: Resistor Retainer

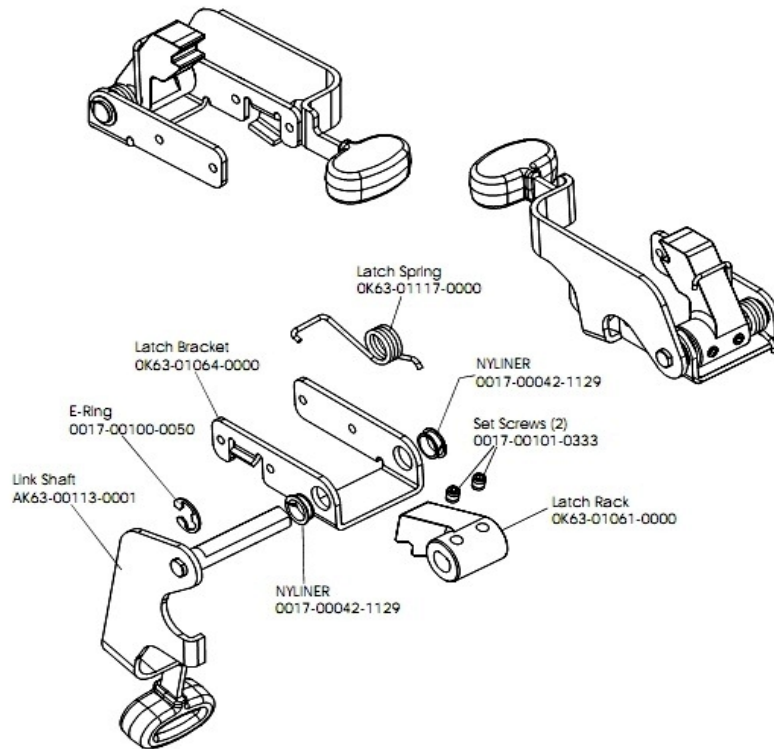
## Right Side Shroud and Crank Arm



Ref #	Part Number	Qty	Description
-	0017-00101-1855	3	Hardware: TORX Screw 0.875"
-	OK39-01042-0007	1	Crank Arm: Right
-	0017-00101-1741	8	Hardware: Screw
-	OK63-01316-0000	1	Decal
-	OK63-01237-0003	1	Right Pedal Strap
-	AK63-00178-0001	1	Right Side Shroud
-	AK63-00123-0003	1	Right Pedal

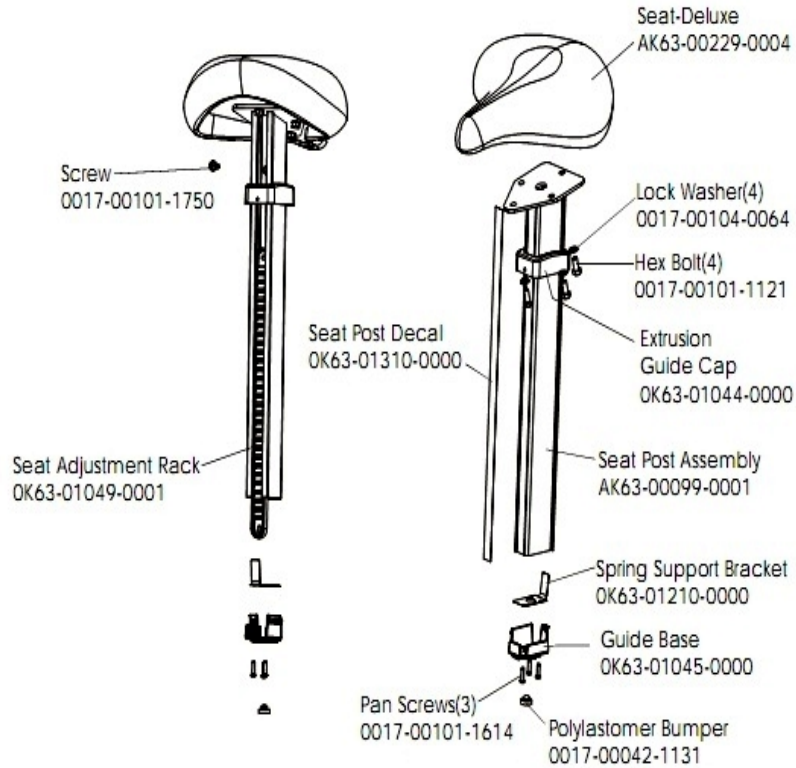
## Seat Latch Assembly

Seat Latch Assembly  
AK63-00043-0001



Ref #	Part Number	Qty	Description
-	0017-00042-1129	2	Hardware: Nyliner Ring - 1/2" Diameter
-	AK63-00043-0001	1	Seat Latch Assembly
-	OK63-01117-0000	1	Latch Spring
-	OK63-01064-0000	1	Latch Bracket
-	OK63-01061-0000	1	Latch Rack
-	0017-00101-0333	2	Hardware: Screw 0.3125"
-	0017-00100-0050	1	Hardware: E-Ring .5"
-	AK63-00113-0001	1	Link Shaft Assembly

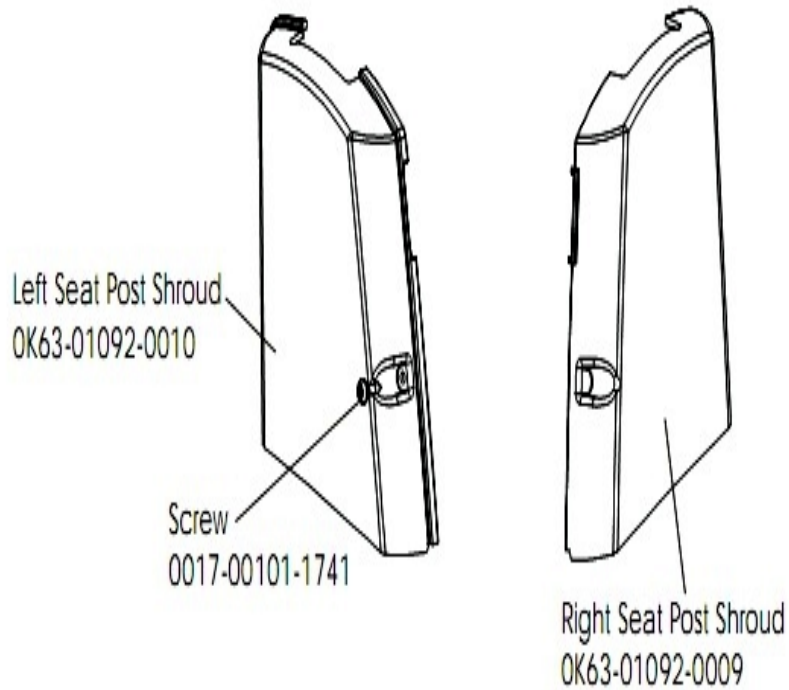
## Seat Post Assembly



Ref #	Part Number	Qty	Description
-	0017-00101-1121	4	Hardware: Bolt 4.6875"
-	0017-00101-1750	1	Hardware: Screw 0.75"
-	AK63-00232-0003	1	Seat Post Assembly
-	OK63-01044-0000	1	Extrusion Guide Cap
-	0017-00104-0064	4	Hardware: Lock Washer 0.586" OD
-	AK63-00229-0004	1	Seat-Deluxe
-	OK63-01049-0001	1	Seat Adjustment Rack
-	AK63-00099-0001	1	Seat Post Assembly
-	0017-00042-1131	1	Bumper
-	OK63-01210-0000	1	Spring Support Bracket
-	0017-00101-1614	3	Hardware: Screw 0.625"
-	OK63-01045-0000	1	Guide Base
-	OK63-01310-0000	1	Seat Post Decal

## Seat Post Shrouds

---



Ref #	Part Number	Qty	Description
-	OK63-01092-0010	1	Left Seat Post Shroud
-	OK63-01092-0009	1	Right Seat Post Shroud
-	0017-00101-1741	1	Hardware: Screw

