

# 90C Lifecycle - Prewired - Heart Rate

90C-0201-04

## Parts Manual

1/5/2019 5:55:12 AM



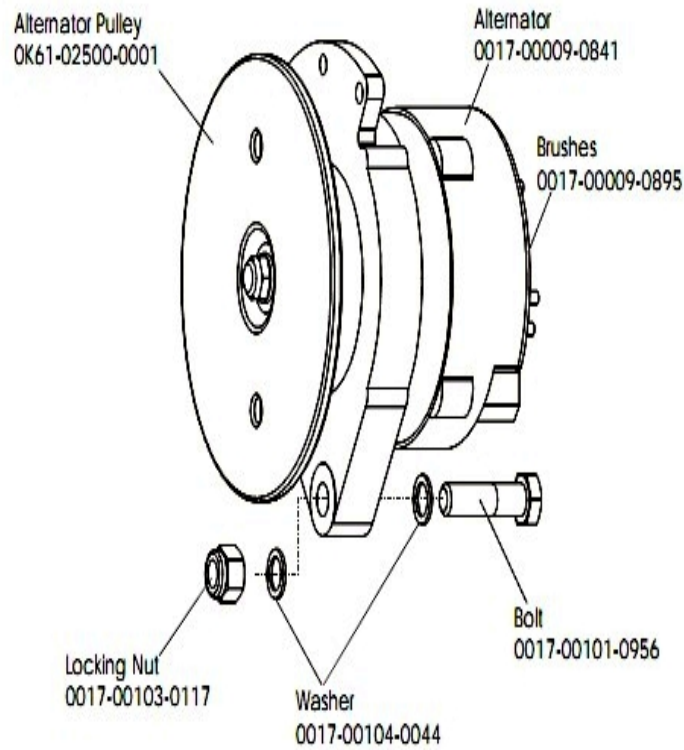
*LifeFitness*  
WHAT WE LIVE FOR

**Table of Contents**

---

[Alternator with Pulley](#).....3  
[Belts](#).....4  
[Cables](#).....5  
[Console Components](#).....6  
[Console Screws and Polar Covers](#).....7  
[Console Support Assembly](#).....8  
[Crankshaft and Bearing Assembly](#).....9  
[Front Wheel Assembly](#).....10  
[Handlebar Assembly](#).....11  
[Idler Bracket Assembly](#).....12  
[Intermediate Shaft and Bearing Assembly](#).....13  
[Left Side Shroud and Crank Arm](#).....14  
[Miscellaneous](#).....15  
[PCB Mounting Bracket Assembly](#).....16  
[Resistor Assembly](#).....17  
[Right Side Shroud and Crank Arm](#).....18  
[Seat Latch Assembly](#).....19  
[Seat Post Assembly](#).....20  
[Seat Post Shrouds](#).....21

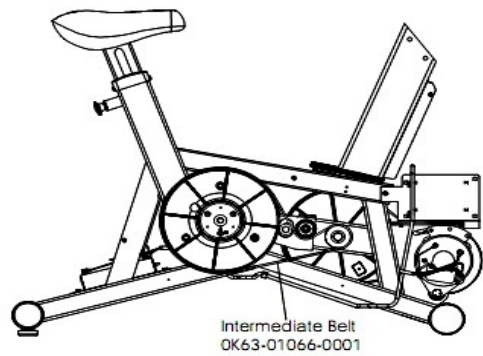
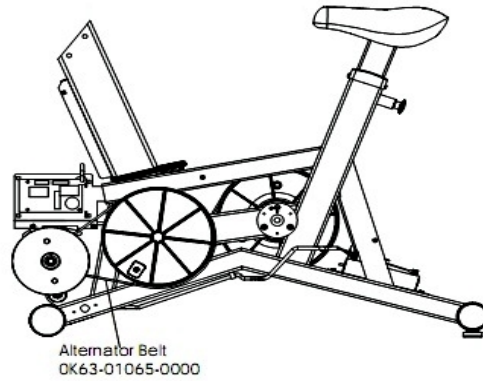
## Alternator with Pulley



| Ref # | Part Number     | Qty | Description                   |
|-------|-----------------|-----|-------------------------------|
| -     | AK63-00093-0000 | 1   | Alternator w/Pulley           |
| -     | 0017-00101-0956 | 1   | Hardware: Bolt 2"             |
| -     | 0017-00009-0841 | 1   | Alternator                    |
| -     | 0017-00104-0044 | 2   | Hardware: Washer 0.75" OD     |
| -     | 0017-00009-0895 | 1   | Alternator Brush Kit          |
| -     | 0017-00103-0117 | 1   | Hardware: Locking Nut 1/2" ID |
| -     | OK61-01027-0000 | 1   | Flywheel: 6.75" D             |

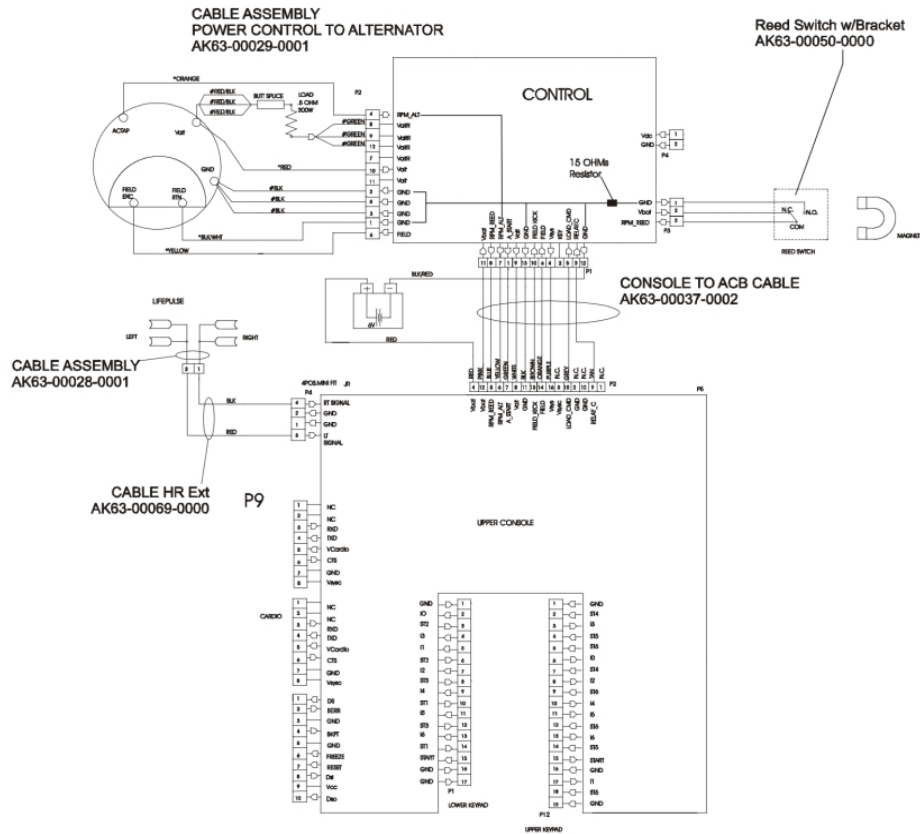
## Belts

---



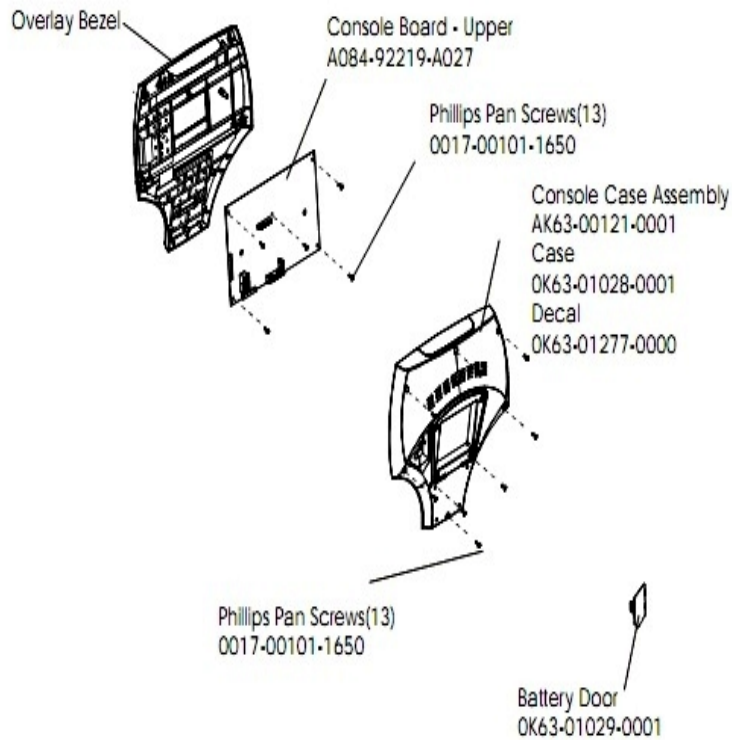
| Ref # | Part Number     | Qty | Description                      |
|-------|-----------------|-----|----------------------------------|
| -     | OK63-01405-0000 | 1   | BELT: POLY-V; 390J6; 39.00 IN    |
| -     | GK63-00002-0079 | 1   | Kit: Upright/Rec Belt And Pulley |

### Cables



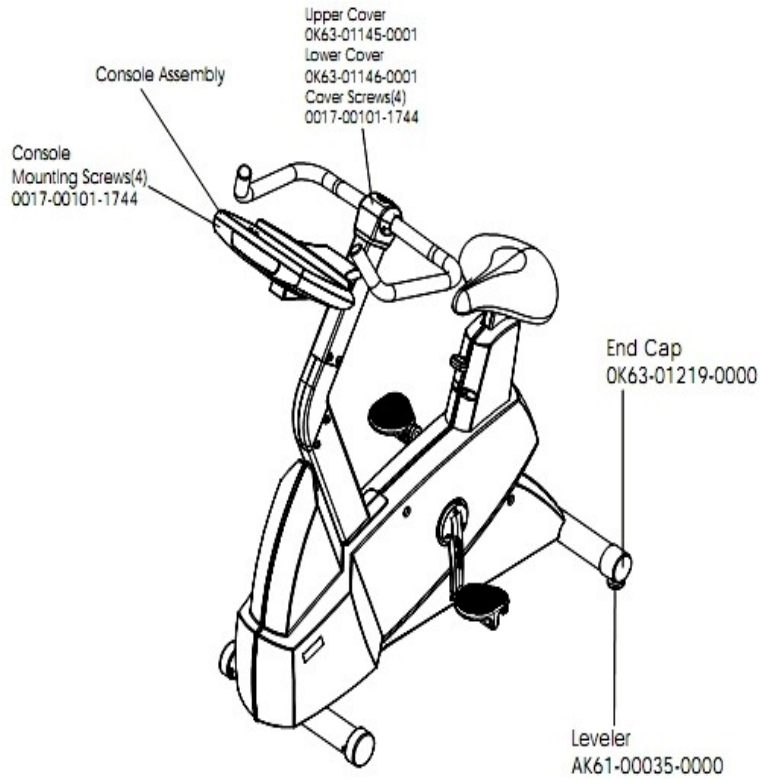
| Ref # | Part Number     | Qty | Description                  |
|-------|-----------------|-----|------------------------------|
| -     | AK63-00028-0001 | 1   | LifePulse Cable              |
| -     | AK63-00029-0001 | 1   | Power Control Cable Assembly |
| -     | AK63-00069-0000 | 1   | Heart Rate Cable             |
| -     | AK63-00050-0000 | 1   | Reed Switch Bracket Assembly |
| -     | AK63-00037-0002 | 1   | Console Cable                |

## Console Components



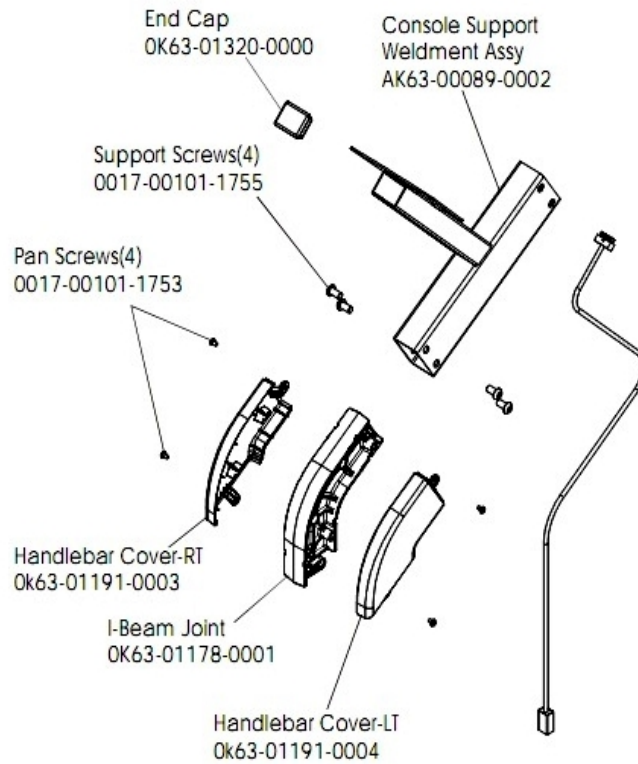
| Ref # | Part Number     | Qty | Description                         |
|-------|-----------------|-----|-------------------------------------|
| -     | A084-92219-A027 | 1   | Console Board - Upper               |
| -     | OK63-01277-0000 | 1   | Console Decal                       |
| -     | OK63-01029-0001 | 1   | Battery Door                        |
| -     | AK63-00121-0001 | 1   | Console Case Assembly               |
| -     | 0017-00101-1650 | 14  | Hardware: Phillips Pan Screw 0.375" |
| -     | AK63-00290-0003 | 1   | Console Assembly German             |
| -     | AK63-00167-0003 | 1   | Bezel with Overlay Assembly German  |
| -     | OK63-01028-0001 | 1   | Case                                |

## Console Screws and Polar Covers



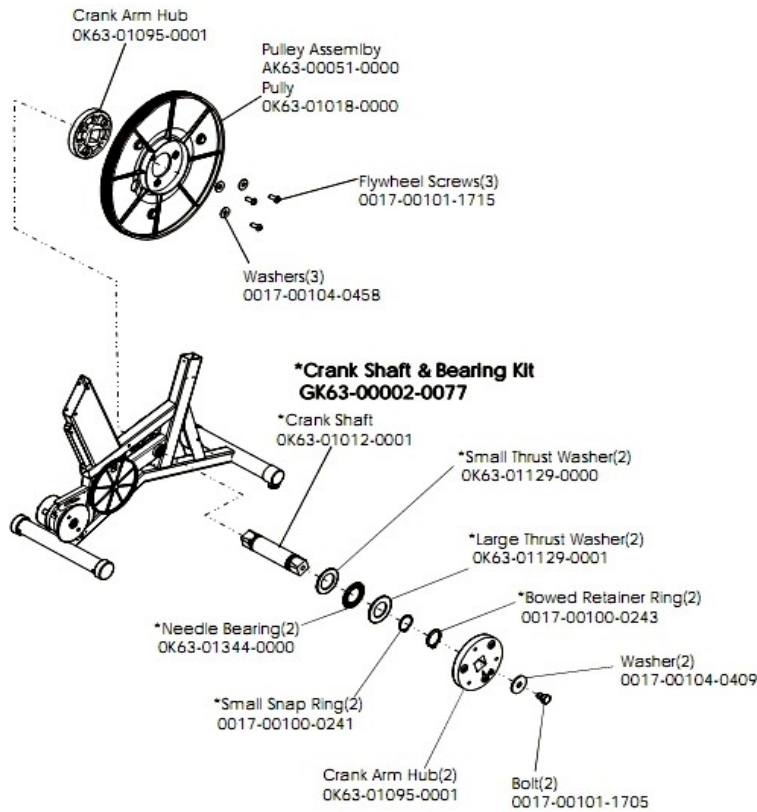
| Ref # | Part Number     | Qty | Description                  |
|-------|-----------------|-----|------------------------------|
| -     | OK63-01145-0002 | 1   | Upper Cover                  |
| -     | OK63-01219-0000 | 1   | End Cap                      |
| -     | 0017-00101-1744 | 8   | Hardware: Phillips Pan Screw |
| -     | OK63-01146-0001 | 1   | Lower Cover                  |
| -     | AK61-00035-0000 | 2   | Leg Leveler                  |

## Console Support Assembly



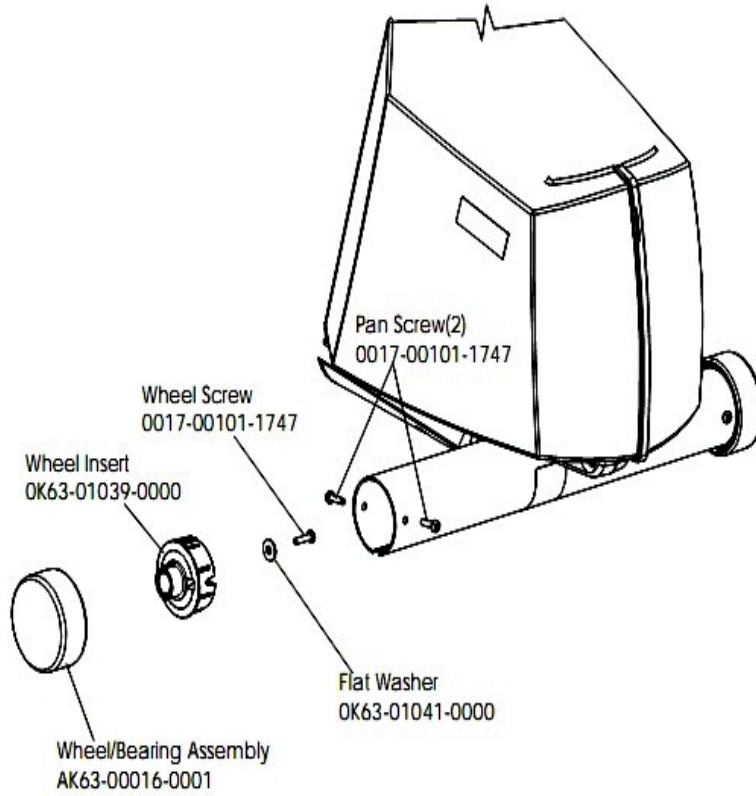
| Ref # | Part Number     | Qty | Description                       |
|-------|-----------------|-----|-----------------------------------|
| -     | OK63-01191-0003 | 1   | Handlebar Cover-Right             |
| -     | OK63-01178-0001 | 1   | I-Beam Joint                      |
| -     | AK63-00089-0002 | 1   | Console Support Weldment Assembly |
| -     | 0017-00101-1753 | 4   | Hardware: Pan Screw 0.3125"       |
| -     | OK63-01191-0004 | 1   | Handlebar Cover-Left              |
| -     | 0017-00101-1755 | 4   | Hardware: TORX Bolt 0.75"         |
| -     | OK63-01320-0000 | 1   | End Cap                           |

# Crankshaft and Bearing Assembly



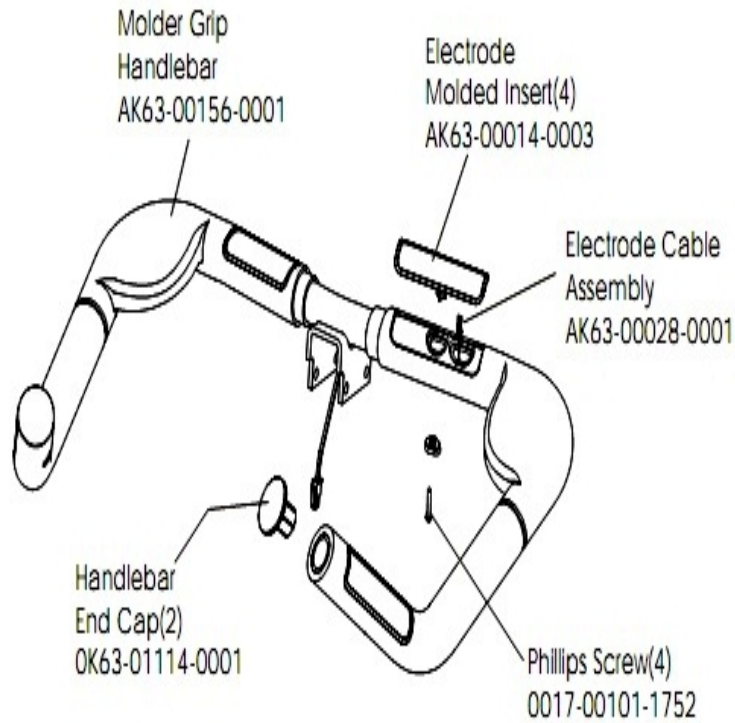
| Ref # | Part Number     | Qty | Description                          |
|-------|-----------------|-----|--------------------------------------|
| -     | GK63-0002-0077  | 1   | Crankshaft and Bearing Kit           |
| -     | OK63-01012-0001 | 1   | Crankshaft                           |
| -     | 0017-00104-0409 | 2   | Hardware: Washer 1.125" OD           |
| -     | 0017-00101-1715 | 3   | Hardware: TORX Cap Screw 0.625"      |
| -     | 0017-00100-0243 | 2   | Hardware: Bowed Retaining Ring .984" |
| -     | OK63-01018-0000 | 1   | Crank Pulley                         |
| -     | 0017-00100-0241 | 2   | Hardware: Small Snap Ring .984"      |
| -     | OK63-01344-0000 | 2   | Hardware: Needle Bearing             |
| -     | 0017-00101-1705 | 2   | Hardware: Bolt 0.5"                  |
| -     | OK63-01095-0001 | 3   | Crank Arm Hub                        |
| -     | AK63-00051-0000 | 1   | Pulley Assembly                      |
| -     | OK63-01129-0001 | 2   | Hardware: Large Thrust Washer        |
| -     | OK63-01129-0000 | 2   | Hardware: Small Thrust Washer        |
| -     | 0017-00104-0458 | 3   | Hardware: Flat Washer 0.75" OD       |

## Front Wheel Assembly



| Ref # | Part Number     | Qty | Description               |
|-------|-----------------|-----|---------------------------|
| -     | OK63-01041-0000 | 2   | Hardware: Flat Washer     |
| -     | AK63-00016-0001 | 2   | Wheel/Bearing Assembly    |
| -     | OK63-01039-0000 | 2   | Wheel Insert              |
| -     | 0017-00101-1747 | 6   | Hardware: Pan Screw 0.75" |
| -     | AK63-00017-0001 | 2   | Front Wheel Assembly      |

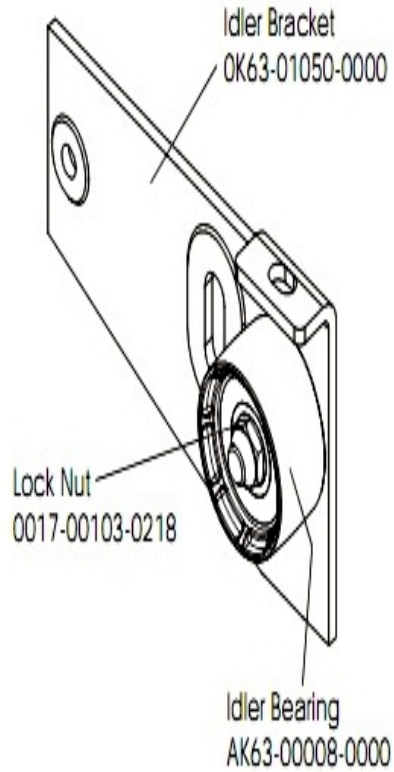
## Handlebar Assembly



| Ref # | Part Number     | Qty | Description                 |
|-------|-----------------|-----|-----------------------------|
| -     | 0017-00101-1752 | 4   | Hardware: Phillips Screw 1" |
| -     | AK63-00014-0003 | 4   | Heart Rate Electrode        |
| -     | AK63-00028-0001 | 1   | LifePulse Cable             |
| -     | OK63-01114-0001 | 2   | Bullhorn Cap                |
| -     | AK63-00091-0001 | 2   | Handle Bar                  |

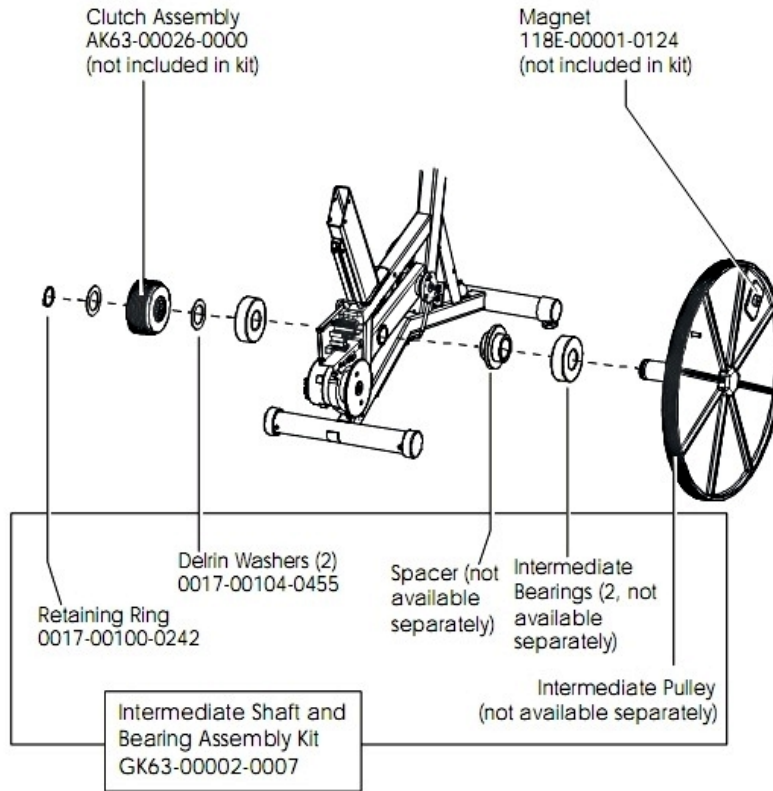
## Idler Bracket Assembly

---



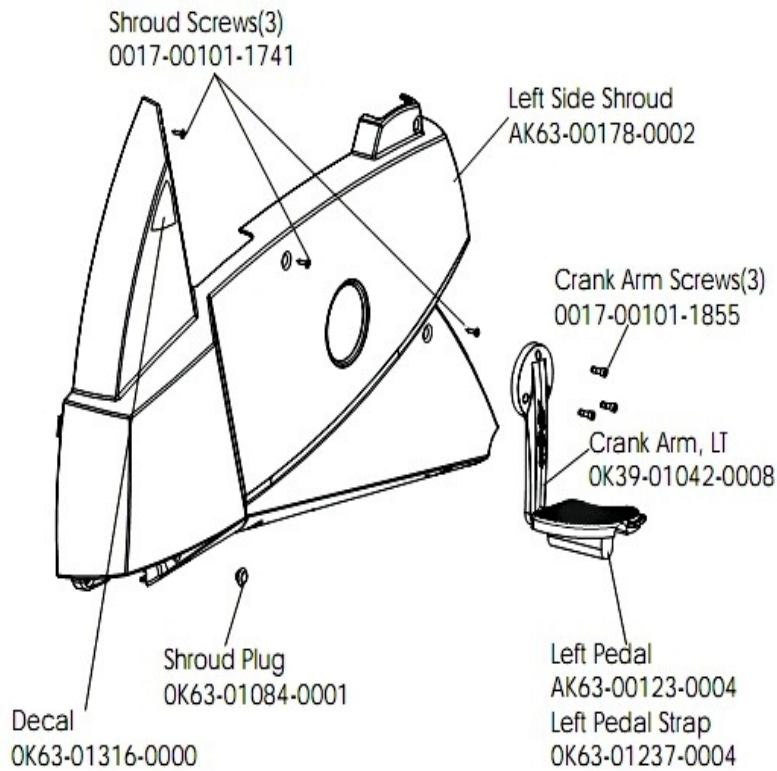
| Ref # | Part Number     | Qty | Description                |
|-------|-----------------|-----|----------------------------|
| -     | AK63-00008-0000 | 1   | Idler w/Bearing            |
| -     | OK63-01050-0000 | 1   | Idler Bracket              |
| -     | AK63-00021-0000 | 1   | Idler Bracket Assembly     |
| -     | 0017-00103-0218 | 1   | Hardware: Lock Nut 3/8" ID |

## Intermediate Shaft and Bearing Assembly



| Ref # | Part Number     | Qty | Description                             |
|-------|-----------------|-----|---|
| -     | GK63-00002-0007 | 1   | Intermediate Shaft and Bearing Assembly |
| -     | 0017-00100-0242 | 1   | Hardware: Retaining Ring .781"          |
| -     | 118E-00001-0124 | 1   | Auto-Start Magnet                       |
| -     | 0017-00104-0455 | 2   | Hardware: Delrin Washer 1.250" OD       |
| -     | GK63-00002-0079 | 1   | Kit: Upright/Rec Belt And Pulley        |

## Left Side Shroud and Crank Arm



| Ref # | Part Number     | Qty | Description                 |
|-------|-----------------|-----|-----------------------------|
| -     | 0017-00101-1741 | 3   | Hardware: Screw             |
| -     | OK39-01042-0008 | 1   | Crank Arm: Left             |
| -     | OK63-01237-0004 | 1   | Left Pedal Strap            |
| -     | AK63-00178-0002 | 1   | Left Side Shroud            |
| -     | OK63-01316-0000 | 1   | Decal                       |
| -     | OK63-01084-0001 | 1   | Shroud Plug                 |
| -     | AK63-00123-0004 | 1   | Left Pedal                  |
| -     | 0017-00101-1855 | 3   | Hardware: TORX Screw 0.875" |

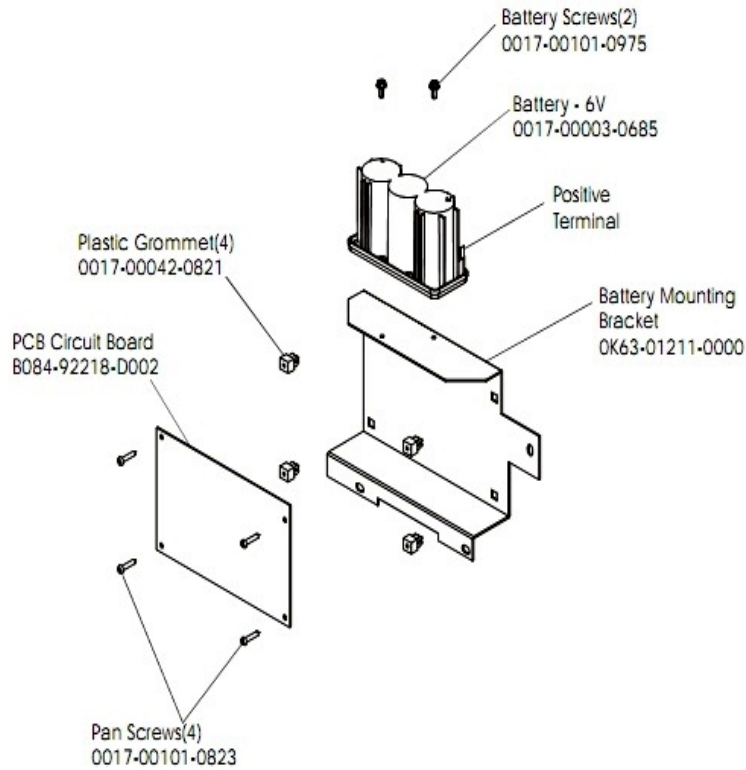
**Miscellaneous**

---

| Ref # | Part Number     | Qty | Description                     |
|-------|-----------------|-----|---------------------------------|
| -     | 0017-00021-2846 | 1   | F-Type Panel Connector          |
| -     | AK63-00215-0000 | 1   | Bracket Assembly                |
| -     | AK32-00020-0001 | 1   | Coax Cable: 90"                 |
| -     | 0017-00008-0204 | 1   | Paint Spray Can - Arctic Silver |
| -     | AK32-00078-0001 | 1   | Power Extension Cable: 120"     |
| -     | 0K63-01329-0000 | 1   | Bracket                         |
| -     | GK63-00002-0002 | 1   | Polar Upgrade Kit               |
| -     | GK63-00002-0004 | 1   | Accessory Tray                  |
| -     | GK63-00002-0044 | 1   | Hardware Bag                    |
| -     | GK63-00002-0044 | 1   | Hardware Bag                    |
| -     | GK63-00002-0044 | 1   | Hardware Bag                    |
| -     | GK63-00002-0044 | 1   | Hardware Bag                    |
| -     | GK63-00002-0044 | 1   | Hardware Bag                    |
| -     | GK63-00002-0044 | 1   | Hardware Bag                    |
| -     | GK63-00002-0044 | 1   | Hardware Bag                    |
| -     | GK63-00002-0044 | 1   | Hardware Bag                    |
| -     | GK63-00002-0044 | 1   | Hardware Bag                    |
| -     | 0017-00008-0206 | 1   | .33oz Pen - Arctic Silver       |
| -     | 0017-00008-0205 | 1   | 5 oz Bottle - Arctic Silver     |

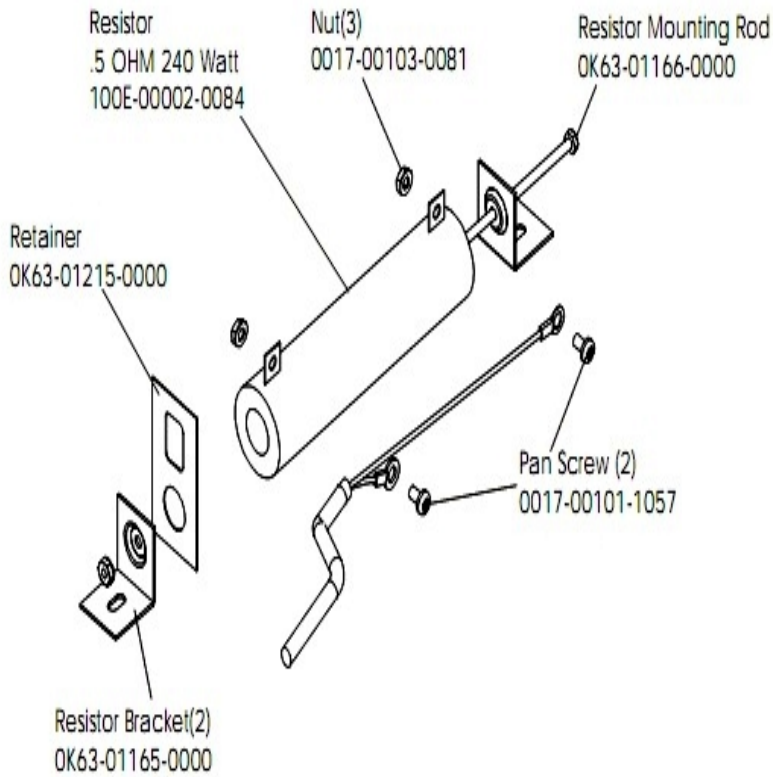
# PCB Mounting Bracket Assembly

Assembly Number - AK63-00049-0000



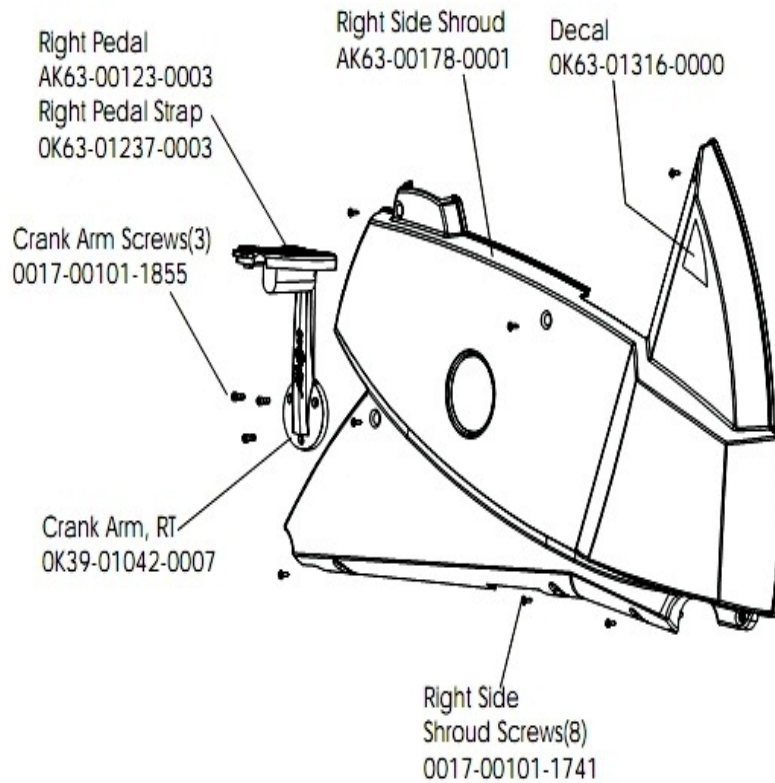
| Ref # | Part Number     | Qty | Description                    |
|-------|-----------------|-----|--------------------------------|
| -     | 0017-00101-0975 | 2   | Hardware: Mounting Bolt 0.375" |
| -     | AK63-00049-0000 | 1   | PCB Mounting Bracket           |
| -     | 0017-00003-0685 | 1   | 6V Battery                     |
| -     | 0017-00101-0823 | 4   | Hardware: Screw 0.75"          |
| -     | B084-92218-0000 | 1   | PCB Circuit Board              |
| -     | OK63-01211-0000 | 1   | Battery Mounting Bracket       |
| -     | 0017-00042-0821 | 4   | Hardware: Plastic Grommet      |

## Resistor Assembly



| Ref # | Part Number     | Qty | Description                 |
|-------|-----------------|-----|-----------------------------|
| -     | 100E-00002-0084 | 1   | Resistor                    |
| -     | OK63-01215-0000 | 1   | Hardware: Resistor Retainer |
| -     | OK63-01165-0000 | 2   | Resistor Bracket            |
| -     | OK63-01166-0000 | 1   | Resistor Mounting Rod       |
| -     | 0017-00101-1057 | 2   | Hardware: Pan Screw 0.5"    |
| -     | AK63-00047-0000 | 1   | Resistor Assembly           |
| -     | 0017-00103-0081 | 3   | Hardware: Hex Nut ID        |

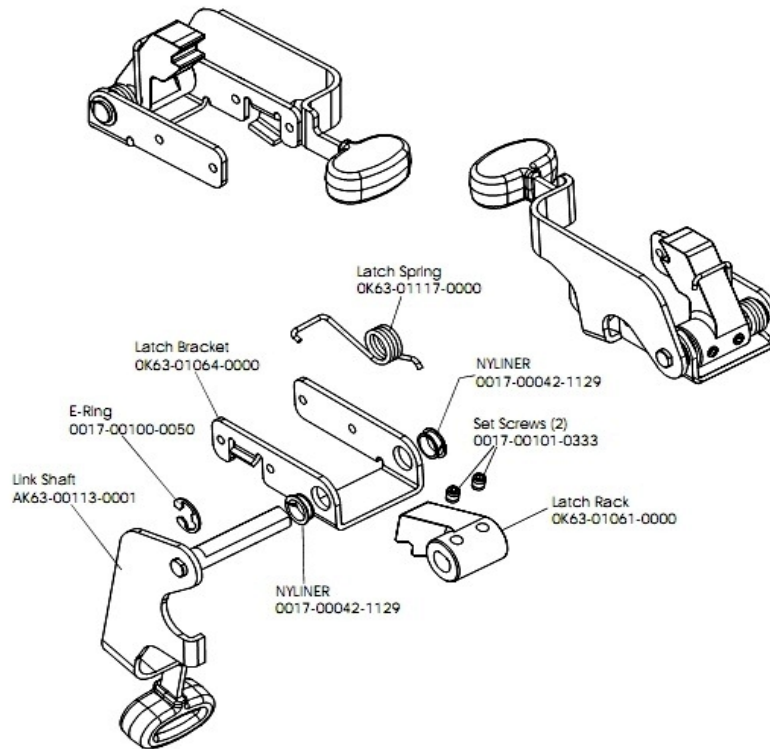
## Right Side Shroud and Crank Arm



| Ref # | Part Number     | Qty | Description                 |
|-------|-----------------|-----|-----------------------------|
| -     | AK63-00178-0001 | 1   | Right Side Shroud           |
| -     | AK63-00123-0003 | 1   | Right Pedal                 |
| -     | OK63-01237-0003 | 1   | Right Pedal Strap           |
| -     | 0017-00101-1855 | 3   | Hardware: TORX Screw 0.875" |
| -     | OK39-01042-0007 | 1   | Crank Arm: Right            |
| -     | 0017-00101-1741 | 8   | Hardware: Screw             |
| -     | OK63-01316-0000 | 1   | Decal                       |

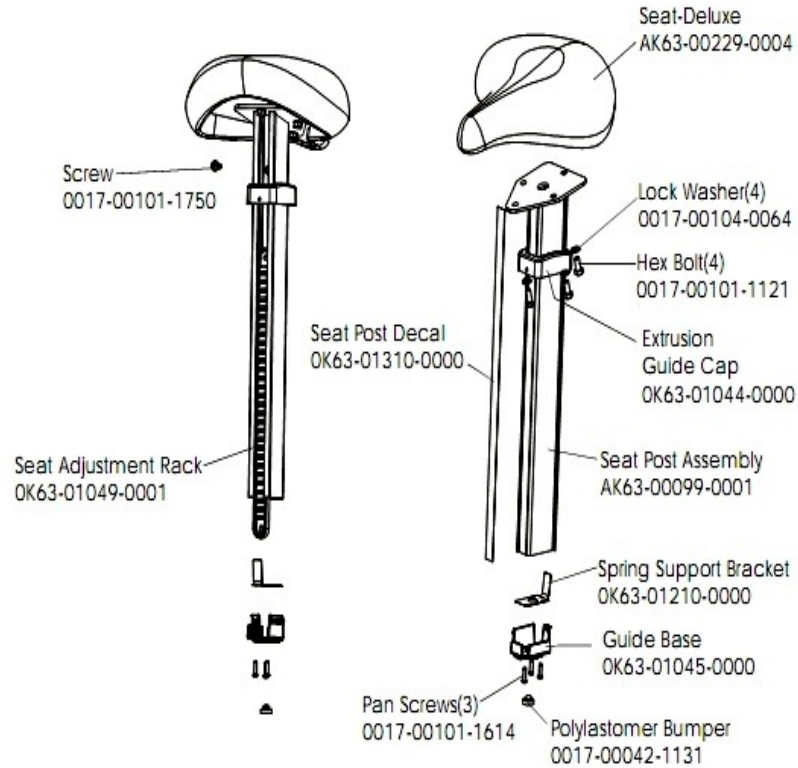
## Seat Latch Assembly

Seat Latch Assembly  
AK63-00043-0001



| Ref # | Part Number     | Qty | Description                            |
|-------|-----------------|-----|--|
| -     | OK63-01117-0000 | 1   | Latch Spring                           |
| -     | 0017-00042-1129 | 2   | Hardware: Nyliner Ring - 1/2" Diameter |
| -     | 0017-00100-0050 | 1   | Hardware: E-Ring .5"                   |
| -     | AK63-00043-0001 | 1   | Seat Latch Assembly                    |
| -     | OK63-01061-0000 | 1   | Latch Rack                             |
| -     | OK63-01064-0000 | 1   | Latch Bracket                          |
| -     | AK63-00113-0001 | 1   | Link Shaft Assembly                    |
| -     | 0017-00101-0333 | 2   | Hardware: Screw 0.3125"                |

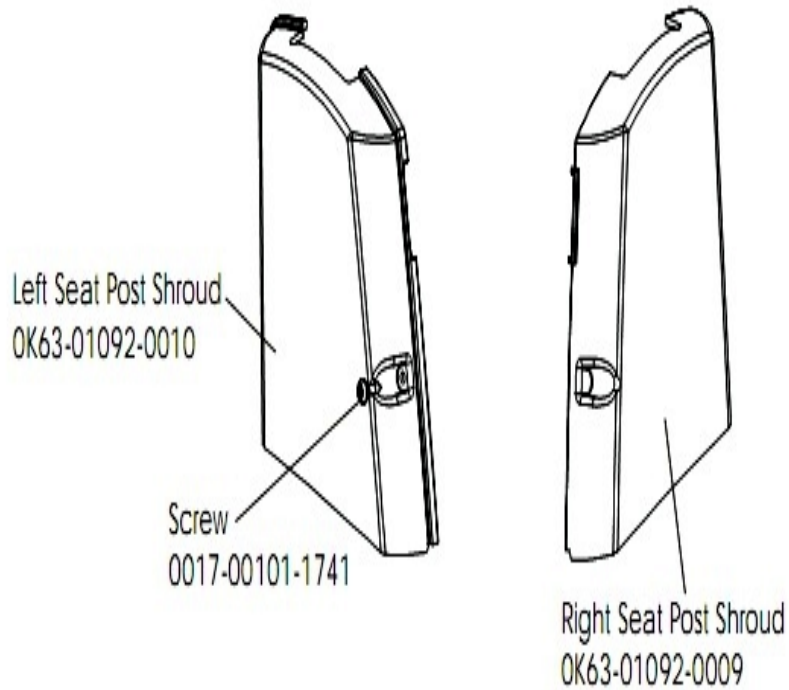
## Seat Post Assembly



| Ref # | Part Number     | Qty | Description                     |
|-------|-----------------|-----|---------------------------------|
| -     | OK63-01045-0000 | 1   | Guide Base                      |
| -     | AK63-00099-0001 | 1   | Seat Post Assembly              |
| -     | OK63-01210-0000 | 1   | Spring Support Bracket          |
| -     | 0017-00104-0064 | 4   | Hardware: Lock Washer 0.586" OD |
| -     | OK63-01049-0001 | 1   | Seat Adjustment Rack            |
| -     | AK63-00229-0004 | 1   | Seat-Deluxe                     |
| -     | OK63-01044-0000 | 1   | Extrusion Guide Cap             |
| -     | 0017-00101-1750 | 1   | Hardware: Screw 0.75"           |
| -     | OK63-01310-0000 | 1   | Seat Post Decal                 |
| -     | 0017-00101-1121 | 4   | Hardware: Bolt 4.6875"          |
| -     | AK63-00232-0003 | 1   | Seat Post Assembly              |
| -     | 0017-00101-1614 | 3   | Hardware: Screw 0.625"          |
| -     | 0017-00042-1131 | 1   | Bumper                          |

## Seat Post Shrouds

---



| Ref # | Part Number     | Qty | Description            |
|-------|-----------------|-----|------------------------|
| -     | 0017-00101-1741 | 1   | Hardware: Screw        |
| -     | OK63-01092-0009 | 1   | Right Seat Post Shroud |
| -     | OK63-01092-0010 | 1   | Left Seat Post Shroud  |

