

90C Lifecycle

90CW-0000-01

Parts Manual

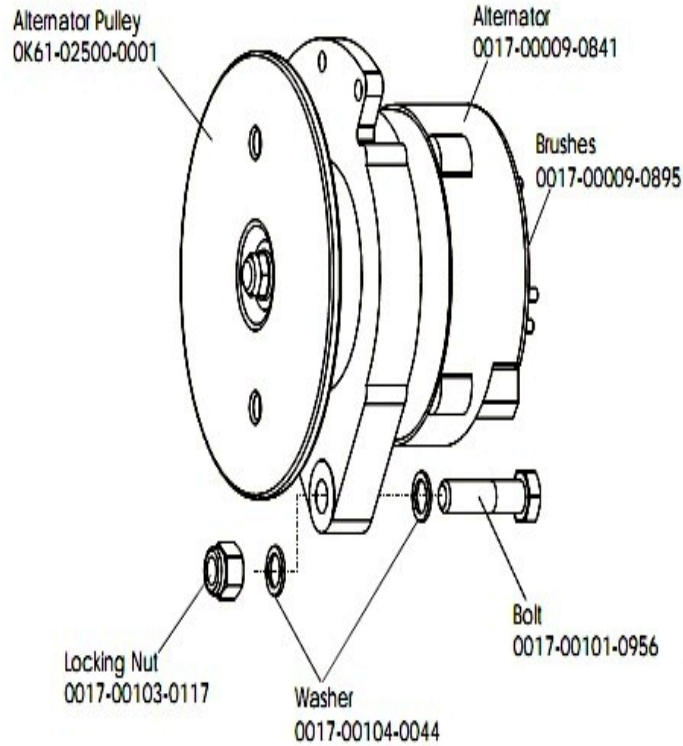
1/5/2019 5:59:32 AM



Table of Contents

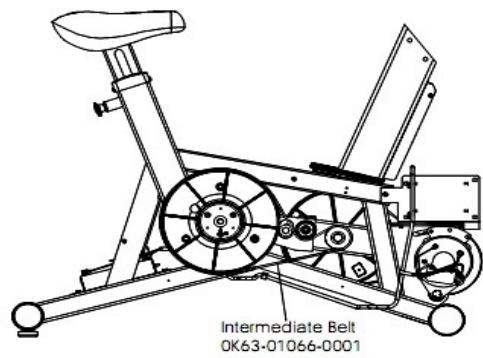
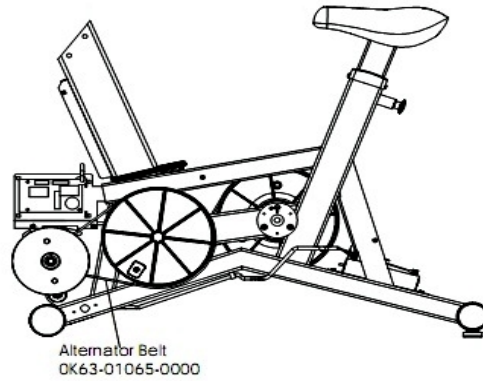
Alternator with Pulley	3
Belts	4
Cables	5
Console Components	6
Console Screws and Polar Covers	7
Console Support Assembly	8
Crankshaft and Bearing Assembly	9
Front Wheels	10
Handlebar Assembly	11
Idler Bracket Assembly	12
Intermediate Shaft and Bearing Assembly	13
Left Side Shroud and Crankarm	14
PCB Mounting Bracket Assembly	15
References	16
Resistor Assembly	17
Right Side Shroud and Crankarm	18
Seat Latch Assembly	19
Seat Post Assembly	20
Seat Post Shrouds	21

Alternator with Pulley



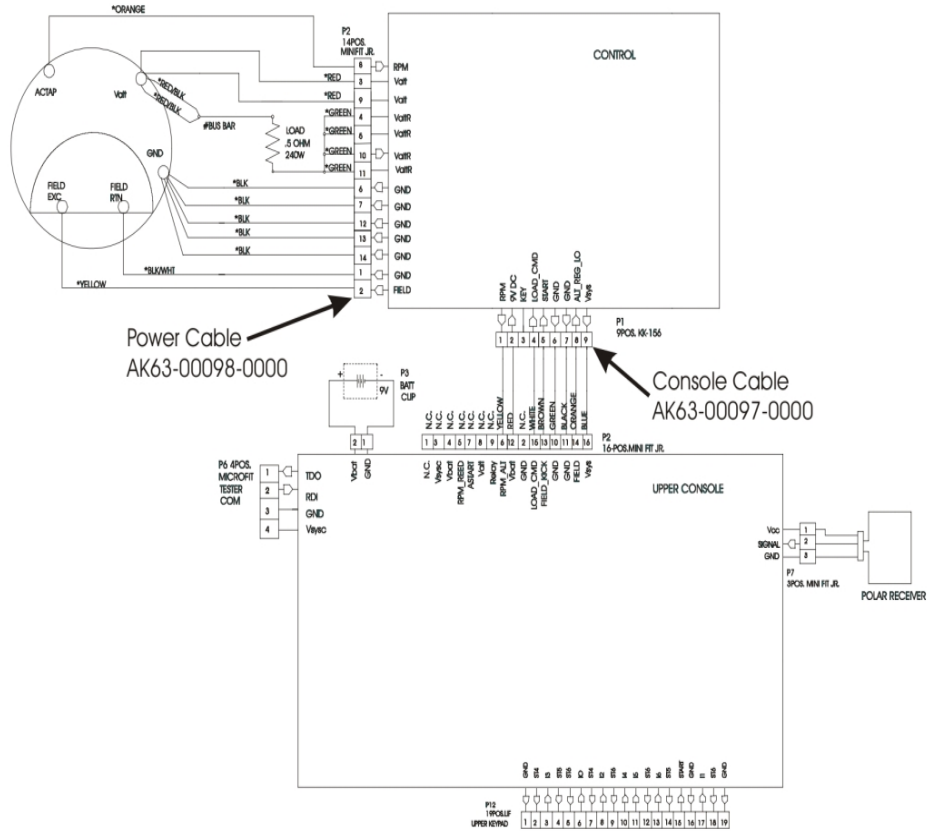
Ref #	Part Number	Qty	Description
-	OK61-01027-0000	1	Flywheel: 6.75" D
-	0017-00103-0117	1	Hardware: Locking Nut 1/2" ID
-	AK63-00093-0000	1	Alternator w/Pulley
-	0017-00101-0956	1	Hardware: Bolt 2"
-	0017-00104-0044	2	Hardware: Washer 0.75" OD
-	0017-00009-0841	1	Alternator
-	0017-00009-0895	1	Alternator Brush Kit

Belts



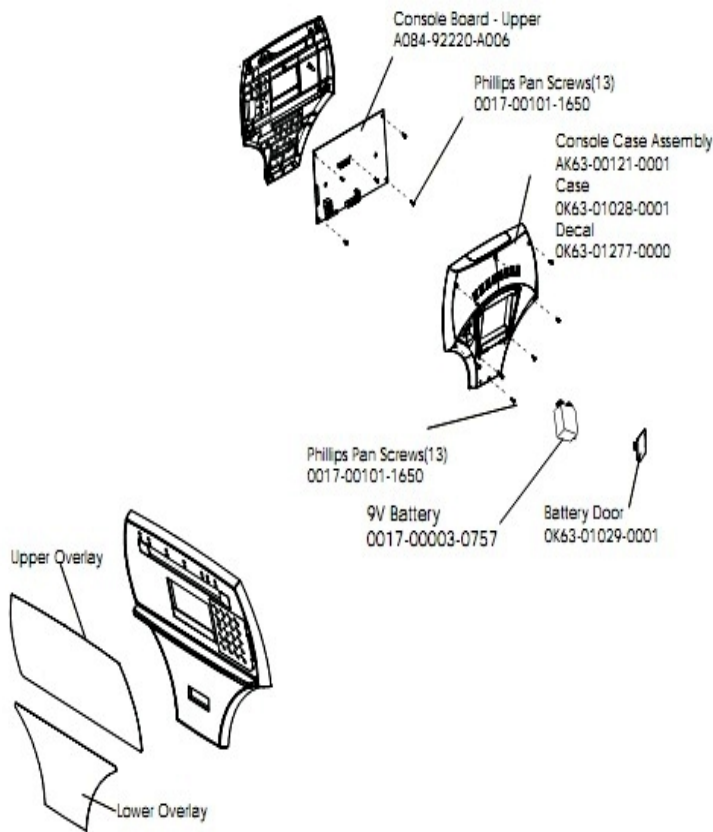
Ref #	Part Number	Qty	Description
-	OK63-01405-0000	1	BELT: POLY-V; 390J6; 39.00 IN
-	GK63-00002-0079	1	Kit: Upright/Rec Belt And Pulley

Cables



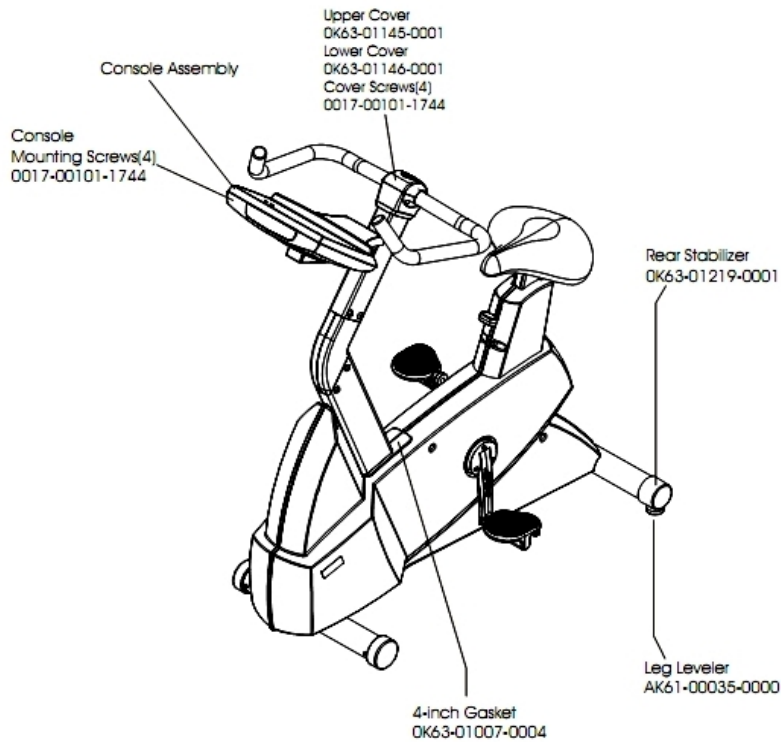
Ref #	Part Number	Qty	Description
-	AK63-00097-0000	1	Console Cable
-	AK63-00098-0000	1	Power Cable

Console Components



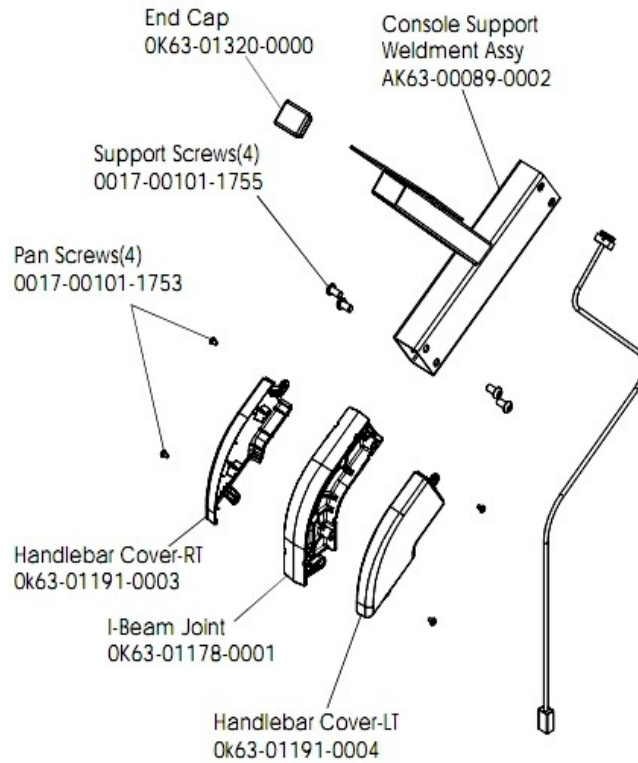
Ref #	Part Number	Qty	Description
-	AK63-00162-0001	1	Console - English Metric
-	A084-92220-A006	1	Console Board
-	AK63-00121-0001	1	Console Case Assembly
-	OK63-01028-0001	1	Case
-	0017-00101-1650	26	Hardware: Phillips Pan Screw 0.375"
-	AK63-00167-0001	1	Bezel with Overlay Assembly English Metric
-	0017-00003-0757	1	9 Volt Battery
-	OK63-01029-0001	1	Battery Door
-	OK63-01277-0000	1	Console Decal

Console Screws and Polar Covers



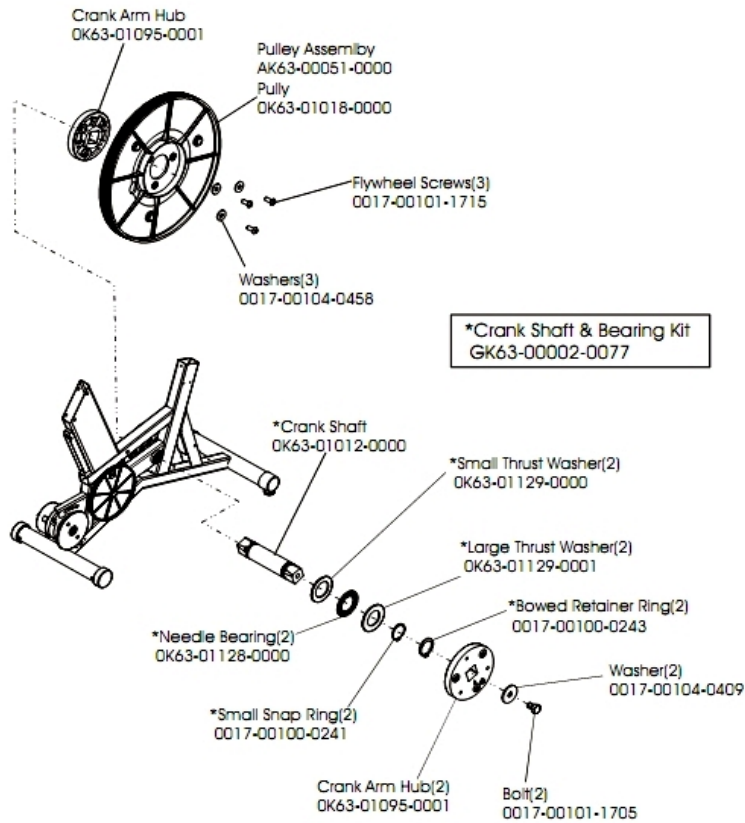
Ref #	Part Number	Qty	Description
-	AK61-00035-0000	2	Leg Leveler
-	OK63-01145-0002	1	Upper Cover
-	OK63-01146-0001	1	Lower Cover
-	OK63-01007-0004	1	Gasket
-	0017-00101-1744	8	Hardware: Phillips Pan Screw
-	OK63-01219-0001	2	End Cap

Console Support Assembly



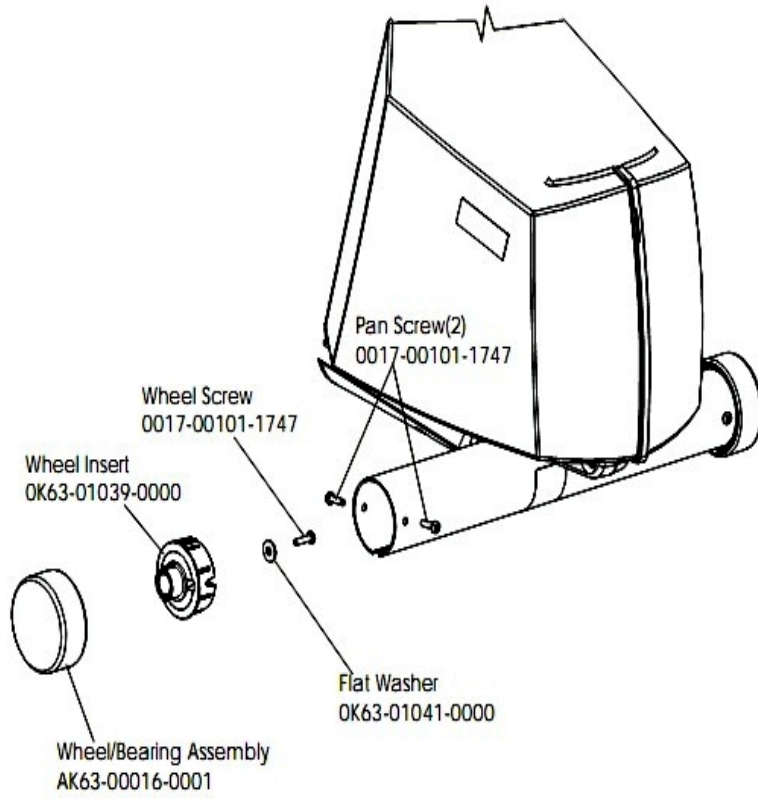
Ref #	Part Number	Qty	Description
-	AK63-00089-0002	1	Console Support Weldment Assembly
-	OK63-01320-0000	1	End Cap
-	OK63-01191-0004	1	Handlebar Cover-Left
-	0017-00101-1753	4	Hardware: Pan Screw 0.3125"
-	0017-00101-1755	4	Hardware: TORX Bolt 0.75"
-	OK63-01191-0003	1	Handlebar Cover-Right
-	OK63-01178-0001	1	I-Beam Joint

Crankshaft and Bearing Assembly



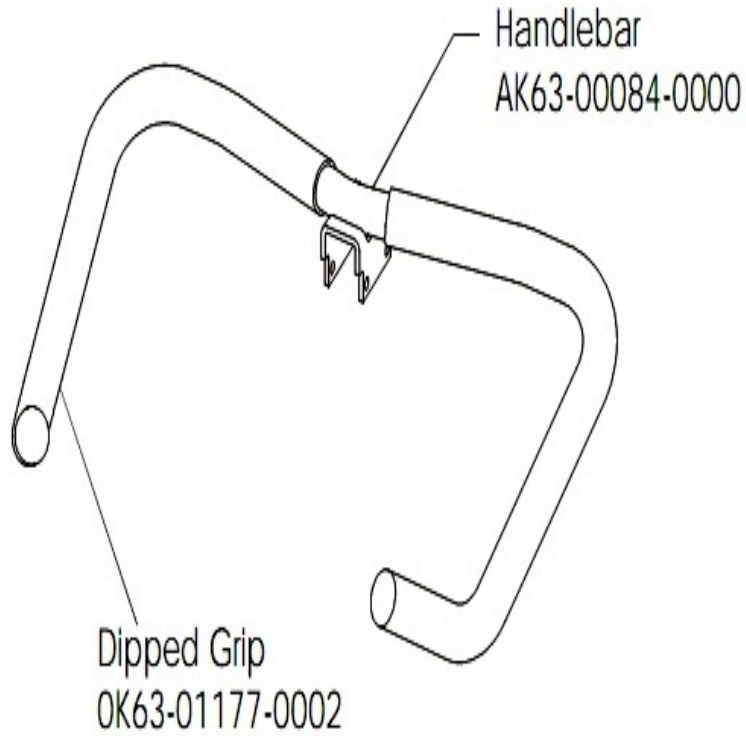
Ref #	Part Number	Qty	Description
-	0017-00101-1715	3	Hardware: TORX Cap Screw 0.625"
-	0017-00100-0243	2	Hardware: Bowed Retaining Ring .984"
-	0017-00101-1705	2	Hardware: Bolt 0.5"
-	OK63-01128-0000	2	Needle Bearing
-	OK63-01095-0001	3	Crank Arm Hub
-	OK63-01012-0000	1	Crank Shaft
-	0017-00104-0409	2	Hardware: Washer 1.125" OD
-	OK63-01129-0001	2	Hardware: Large Thrust Washer
-	AK63-00051-0000	1	Pulley Assembly
-	0017-00100-0241	2	Hardware: Small Snap Ring .984"
-	GK63-00002-0077	1	Crankshaft and Bearing Kit
-	OK63-01018-0000	1	Crank Pulley
-	0017-00104-0458	3	Hardware: Flat Washer 0.75" OD
-	OK63-01129-0000	2	Hardware: Small Thrust Washer

Front Wheels



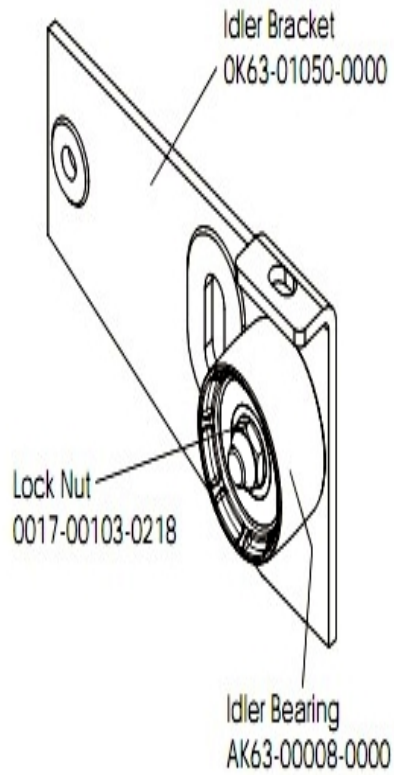
Ref #	Part Number	Qty	Description
-	OK63-01041-0000	2	Hardware: Flat Washer
-	AK63-00016-0001	2	Wheel/Bearing Assembly
-	OK63-01039-0000	2	Wheel Insert
-	0017-00101-1747	6	Hardware: Pan Screw 0.75"
-	AK63-00017-0001	2	Front Wheel Assembly

Handlebar Assembly



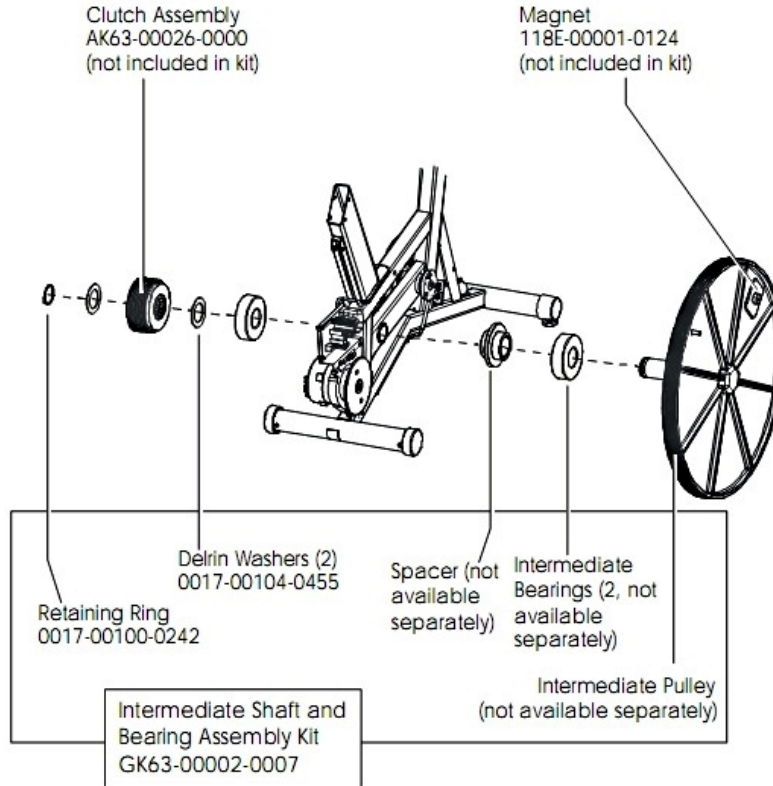
Ref #	Part Number	Qty	Description
-	AK63-00101-0001	1	Handlebar Assembly
-	AK63-00084-0000	1	Handlebar
-	OK63-01177-0002	1	Dipped Grip

Idler Bracket Assembly



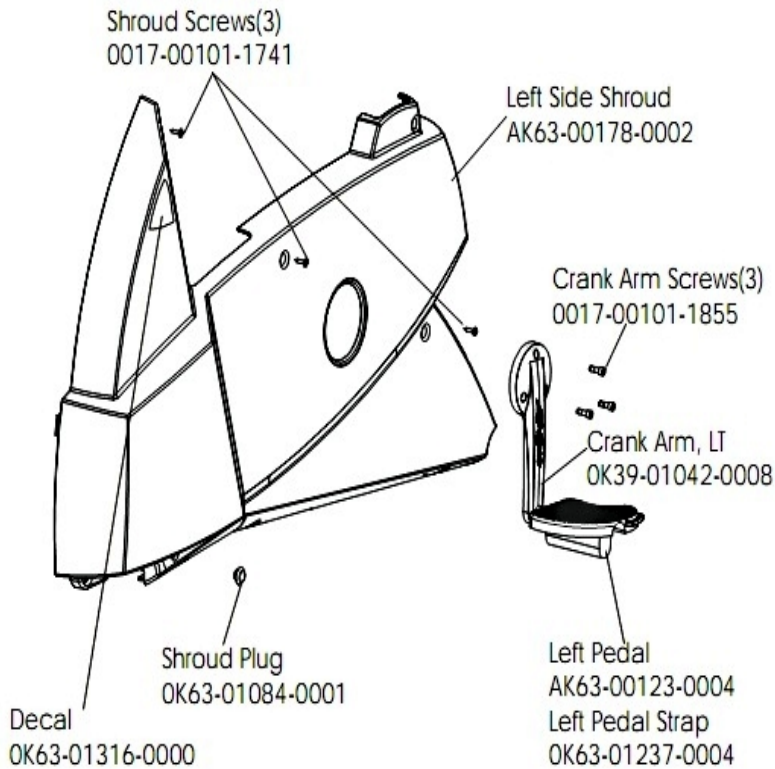
Ref #	Part Number	Qty	Description
-	AK63-00008-0000	1	Idler w/Bearing
-	OK63-01050-0000	1	Idler Bracket
-	AK63-00021-0000	1	Idler Bracket Assembly
-	0017-00103-0218	1	Hardware: Lock Nut 3/8" ID

Intermediate Shaft and Bearing Assembly



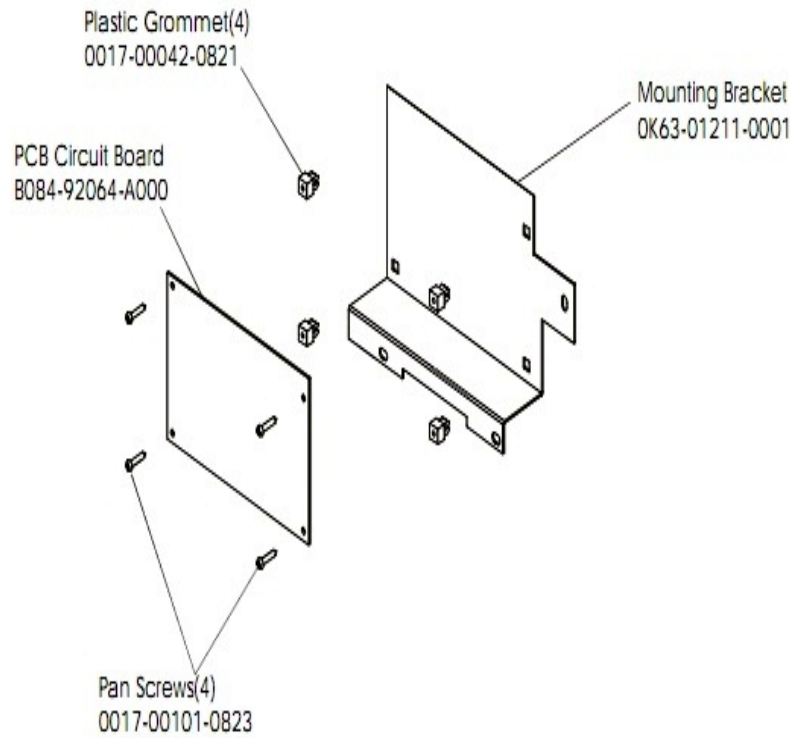
Ref #	Part Number	Qty	Description
-	GK63-00002-0007	1	Intermediate Shaft and Bearing Assembly
-	0017-00100-0242	1	Hardware: Retaining Ring .781"
-	118E-00001-0124	1	Auto-Start Magnet
-	0017-00104-0455	2	Hardware: Delrin Washer 1.250" OD
-	GK63-00002-0079	1	Kit: Upright/Rec Belt And Pulley

Left Side Shroud and Crankarm



Ref #	Part Number	Qty	Description
-	0017-00101-1741	3	Hardware: Screw
-	OK39-01042-0008	1	Crank Arm: Left
-	OK63-01237-0004	1	Left Pedal Strap
-	AK63-00178-0002	1	Left Side Shroud
-	OK63-01316-0000	1	Decal
-	OK63-01084-0001	1	Shroud Plug
-	AK63-00123-0004	1	Left Pedal
-	0017-00101-1855	3	Hardware: TORX Screw 0.875"

PCB Mounting Bracket Assembly

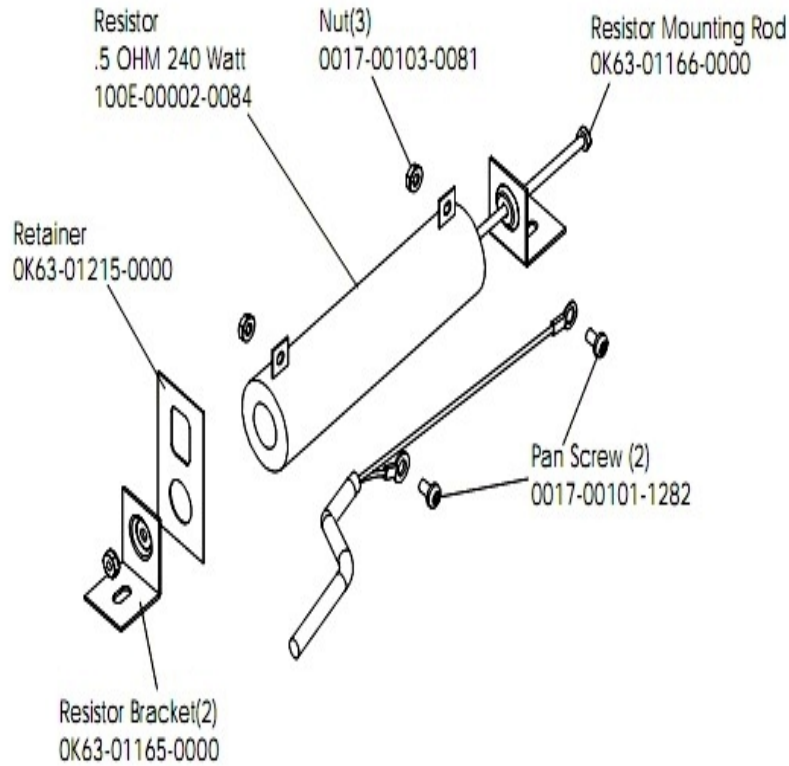


Ref #	Part Number	Qty	Description
-	0017-00042-0821	4	Hardware: Plastic Grommet
-	0017-00101-0832	4	Hardware: Mounting Bolt. 1"
-	B084-92064-A000	1	PCB Circuit Board
-	OK63-01211-0001	1	Mounting Bracket

References

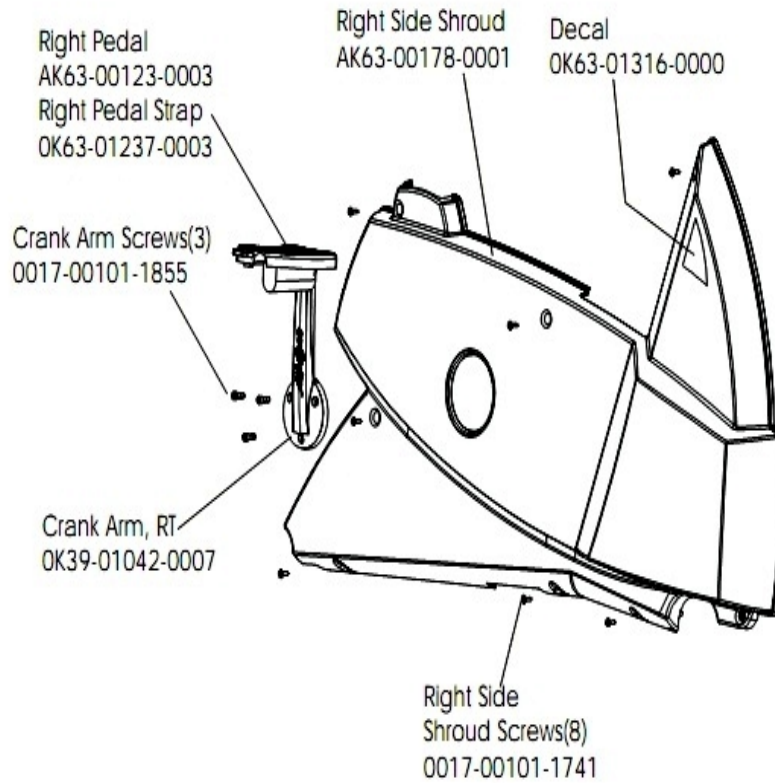
Ref #	Part Number	Qty	Description
-	0017-00021-2846	1	F-Type Panel Connector
-	0017-00008-0205	1	5 oz Bottle - Arctic Silver
-	AK63-00215-0000	1	Bracket Assembly
-	0017-00008-0206	1	.33oz Pen - Arctic Silver
-	GK63-00002-0004	1	Accessory Tray
-	GK63-00002-0002	1	Polar Upgrade Kit
-	AK32-00020-0002	1	Coax Cable: 120"
-	OK63-01329-0000	1	Bracket
-	AK32-00078-0001	1	Power Extension Cable: 120"
-	0017-00101-1741	1	Hardware: Screw
-	0017-00008-0204	1	Paint Spray Can - Arctic Silver

Resistor Assembly



Ref #	Part Number	Qty	Description
-	100E-00002-0084	1	Resistor
-	OK63-01166-0000	1	Resistor Mounting Rod
-	OK63-01215-0000	1	Hardware: Resistor Retainer
-	0017-00103-0081	3	Hardware: Hex Nut ID
-	OK63-01165-0000	2	Resistor Bracket
-	AK63-00114-0000	1	Resistor Assembly
-	0017-00101-1282	2	Hardware: TORX Screw 0.375"

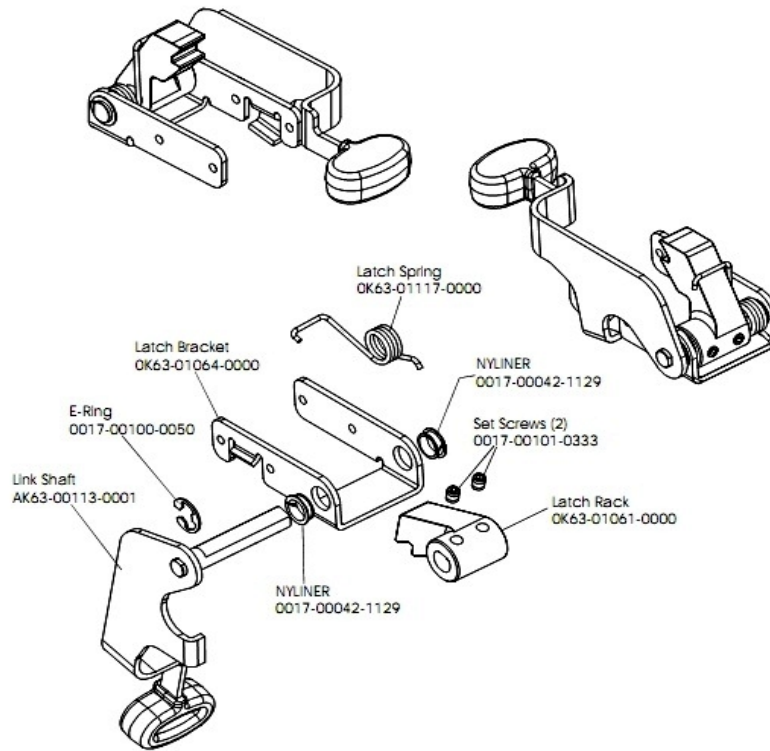
Right Side Shroud and Crankarm



Ref #	Part Number	Qty	Description
-	0017-00101-1855	3	Hardware: TORX Screw 0.875"
-	OK63-01316-0000	1	Decal
-	OK63-01237-0003	1	Right Pedal Strap
-	0017-00101-1741	8	Hardware: Screw
-	OK39-01042-0007	1	Crank Arm: Right
-	AK63-00178-0001	1	Right Side Shroud
-	AK63-00123-0003	1	Right Pedal

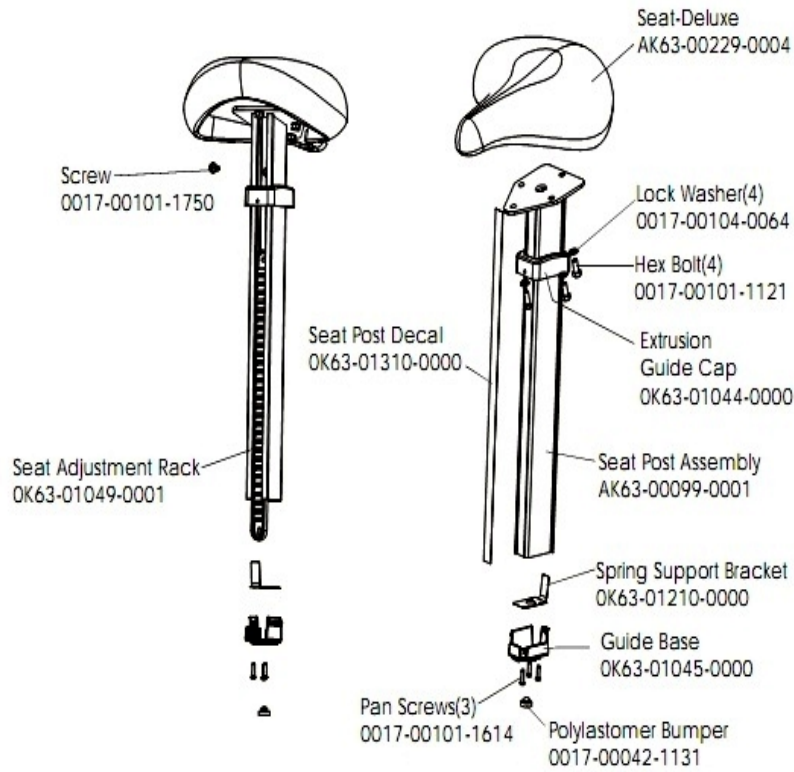
Seat Latch Assembly

Seat Latch Assembly
AK63-00043-0001



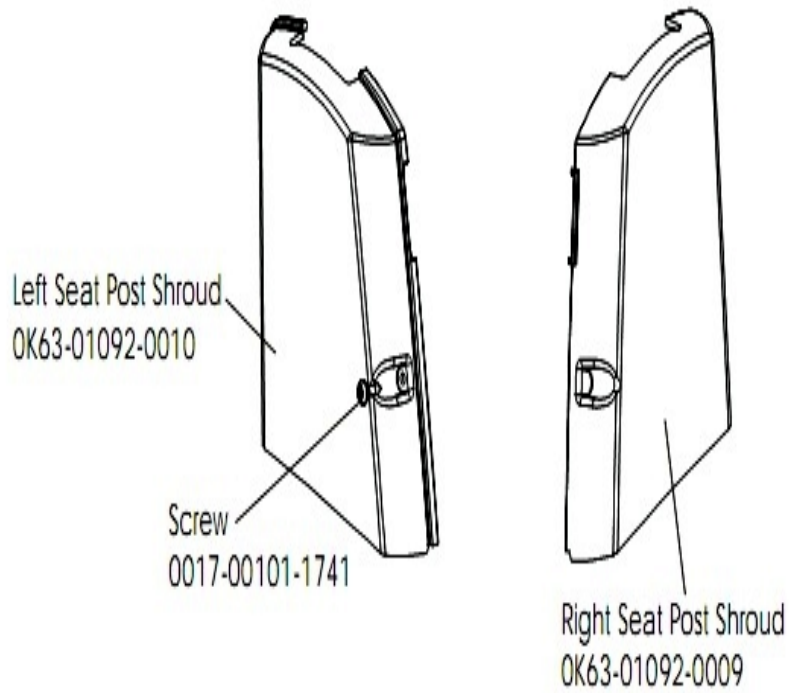
Ref #	Part Number	Qty	Description
-	OK63-01117-0000	1	Latch Spring
-	AK63-00113-0001	1	Link Shaft Assembly
-	OK63-01064-0000	1	Latch Bracket
-	0017-00101-0333	2	Hardware: Screw 0.3125"
-	OK63-01061-0000	1	Latch Rack
-	0017-00100-0050	1	Hardware: E-Ring .5"
-	0017-00042-1129	2	Hardware: Nyliner Ring - 1/2" Diameter
-	AK63-00043-0001	1	Seat Latch Assembly

Seat Post Assembly



Ref #	Part Number	Qty	Description
-	AK63-00099-0001	1	Seat Post Assembly
-	0017-00042-1131	1	Bumper
-	0017-00101-1614	3	Hardware: Screw 0.625"
-	OK63-01045-0000	1	Guide Base
-	OK63-01310-0000	1	Seat Post Decal
-	OK63-01210-0000	1	Spring Support Bracket
-	OK63-01049-0001	1	Seat Adjustment Rack
-	AK63-00229-0004	1	Seat-Deluxe
-	0017-00101-1121	4	Hardware: Bolt 4.6875"
-	0017-00101-1750	1	Hardware: Screw 0.75"
-	AK63-00232-0003	1	Seat Post Assembly
-	0017-00104-0064	4	Hardware: Lock Washer 0.586" OD
-	OK63-01044-0000	1	Extrusion Guide Cap

Seat Post Shrouds



Ref #	Part Number	Qty	Description
-	0017-00101-1741	1	Hardware: Screw
-	OK63-01092-0010	1	Left Seat Post Shroud
-	OK63-01092-0009	1	Right Seat Post Shroud

