

90R Recumbent Lifecycle

90R-0000-01

Parts Manual

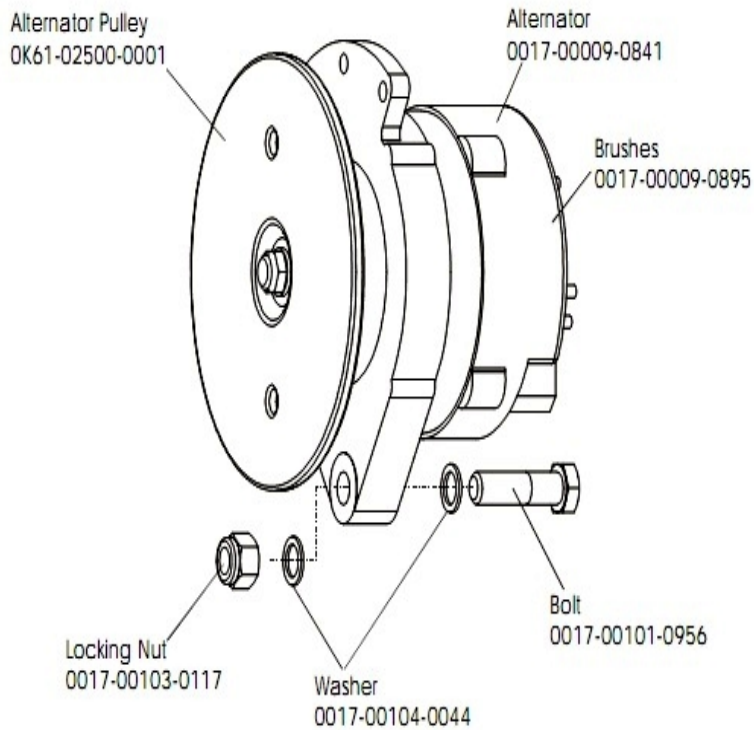
1/5/2019 6:05:14 AM



Table of Contents

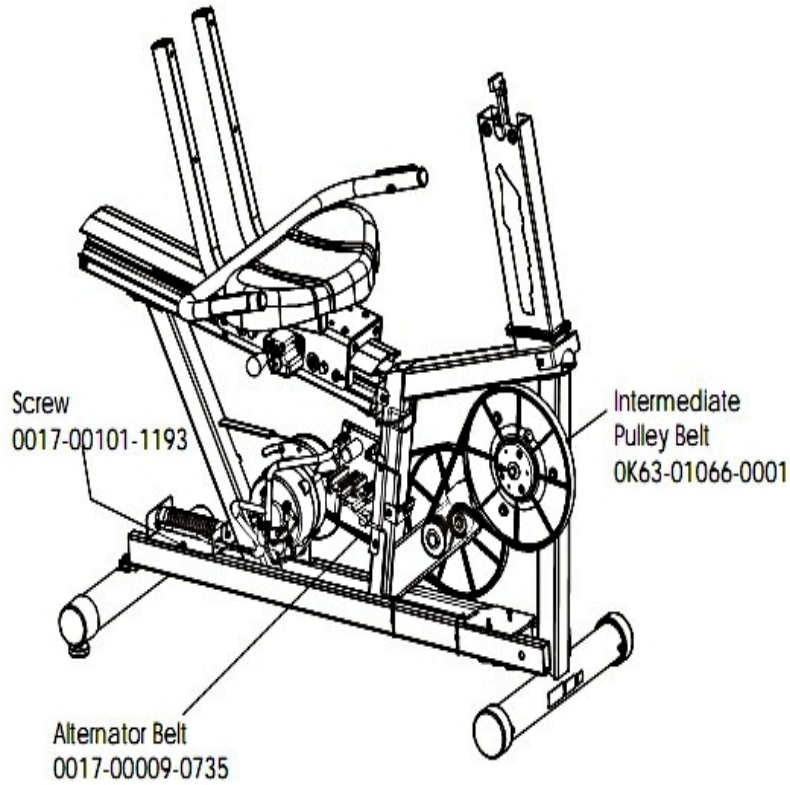
Alternator Assembly	3
Belts	4
Cables	5
Console Assembly	6
Console Support Assembly	8
Crankshaft and Bearing Assembly	9
Extrusion Assembly	10
General Assembly	11
Idler Bracket Assembly	12
Intermediate Shaft and Bearing Kit Assembly	13
Locking Assembly	14
Power Control Board	15
Resistor Assembly	16
Seat Assembly	17
Seat Bottom Assembly	18
Seat Frame Assembly	19
Seat Pads and Accessory Tray	20
Shrouds, End Caps and Crank Arm	21
Wheel and Leveler	22

Alternator Assembly



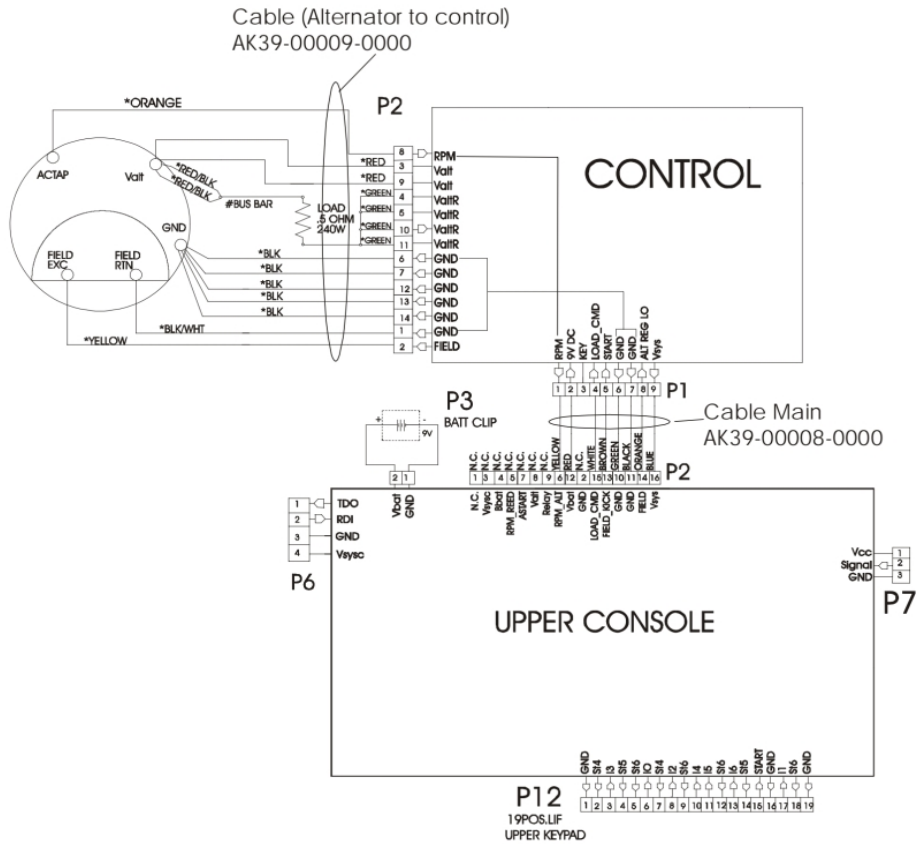
Ref #	Part Number	Qty	Description
-	OK61-01027-0000	1	Flywheel: 6.75" D
-	0017-00103-0117	1	Hardware: Locking Nut 1/2" ID
-	AK63-00093-0000	1	Alternator w/Pulley
-	0017-00101-0956	1	Hardware: Bolt 2"
-	0017-00104-0044	2	Hardware: Washer 0.75" OD
-	0017-00009-0841	1	Alternator
-	0017-00009-0895	1	Alternator Brush Kit

Belts



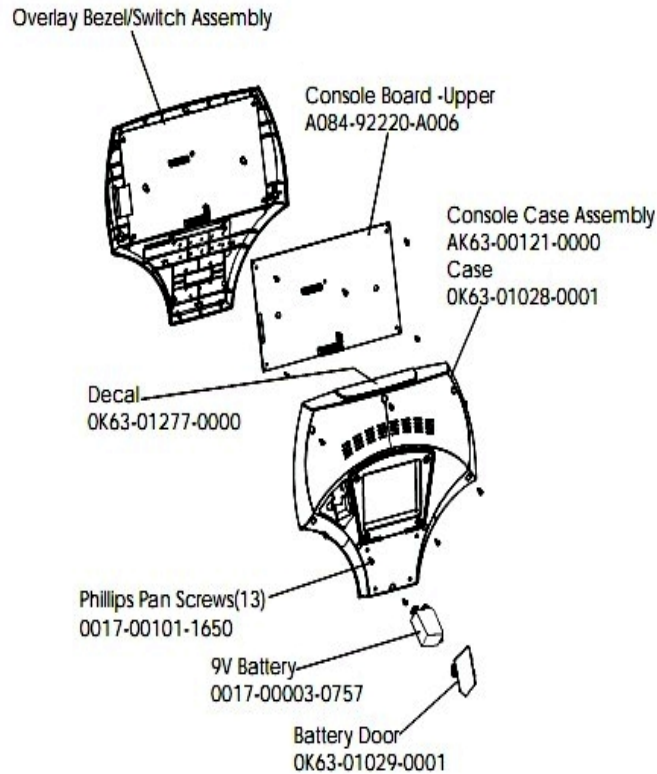
Ref #	Part Number	Qty	Description
-	GK63-00002-0079	1	Kit: Upright/Rec Belt And Pulley
-	0017-00101-1193	1	Hardware: Screw 0.375"
-	0017-00009-1324	1	Belt: Poly-V; 49.00 IN

Cables



Ref #	Part Number	Qty	Description
-	AK39-00008-0000	1	Cable Main
-	AK39-00009-0000	1	Alternator to Control Cable

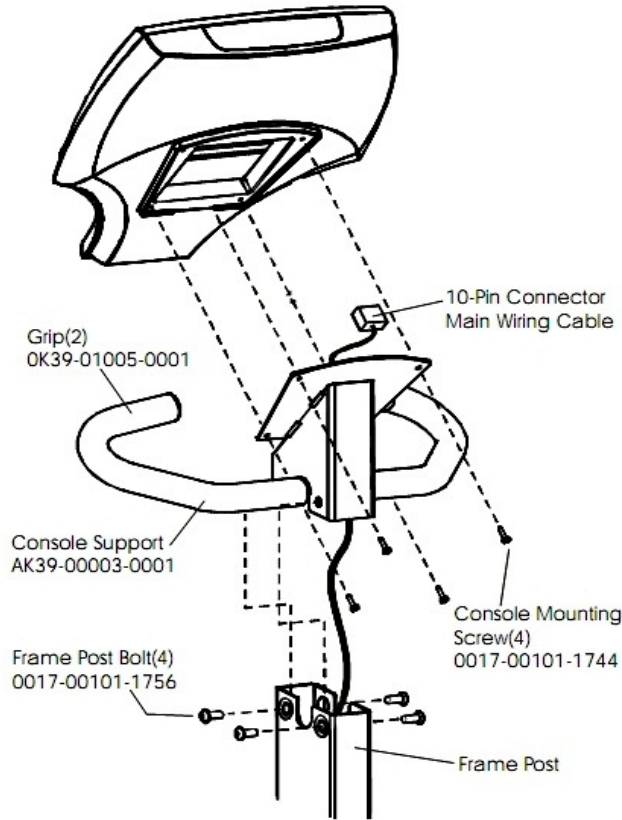
Console Assembly



Ref #	Part Number	Qty	Description
-	AK39-00072-0010	1	CONS-ASSY: MFG; 90R; POR; S/C-E
-	AK39-00072-0004	1	Console-Assembly: Mfg; 90R; Spanish; S/C-E
-	AK39-00072-0009	1	CONS-ASSY: MFG; 90R; DUT; S/C-E
-	AK63-00167-0002	1	Overlay/Bezel/Switch Assembly English Metric
-	AK39-00072-0008	1	NLA: CONS-ASSY: MFG; 90R; ITL; S/C-E
-	AK39-00072-0007	1	CONS-ASSY: MFG; 90R; FRN; S/C-E
-	OK63-01028-0001	1	Case
-	AK63-00167-0007	1	Bezel with Overlay Assembly French
-	AK63-00167-0003	1	Bezel with Overlay Assembly German
-	AK39-00072-0002	1	Console-Assembly: Mfg; 90R; English; S/C-E
-	AK63-00167-0010	1	BZL/SW W/OVERLAY ASSY: MFG; 90C; POR; S/C-D
-	AK63-00167-0008	1	Bezel with Overlay Assembly Italian
-	AK63-00121-0000	1	Console Case Assembly
-	AK39-00072-0003	1	NLA: CONS-ASSY: MFG; 90R; GER; S/C-E
-	0017-00101-1650	13	Hardware: Phillips Pan Screw 0.375"
-	AK63-00167-0001	1	Bezel with Overlay Assembly English Metric
-	0017-00003-0757	1	9 Volt Battery
-	OK63-01029-0001	1	Battery Door
-	AK63-00167-0004	1	Bezel with Overlay Assembly Spanish
-	A084-92220-A006	1	Console Board
-	AK63-00162-0001	1	Console - English Metric
-	AK63-00167-0009	1	Bezel with Overlay Assembly Dutch

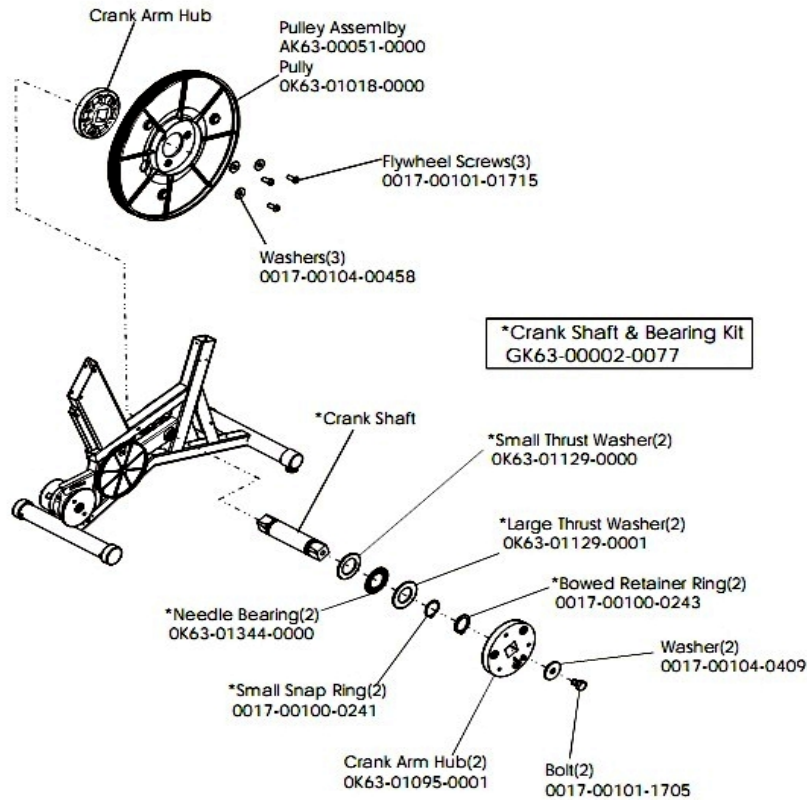
Ref #	Part Number	Qty	Description
-	0K63-01277-0000	1	Console Decal

Console Support Assembly



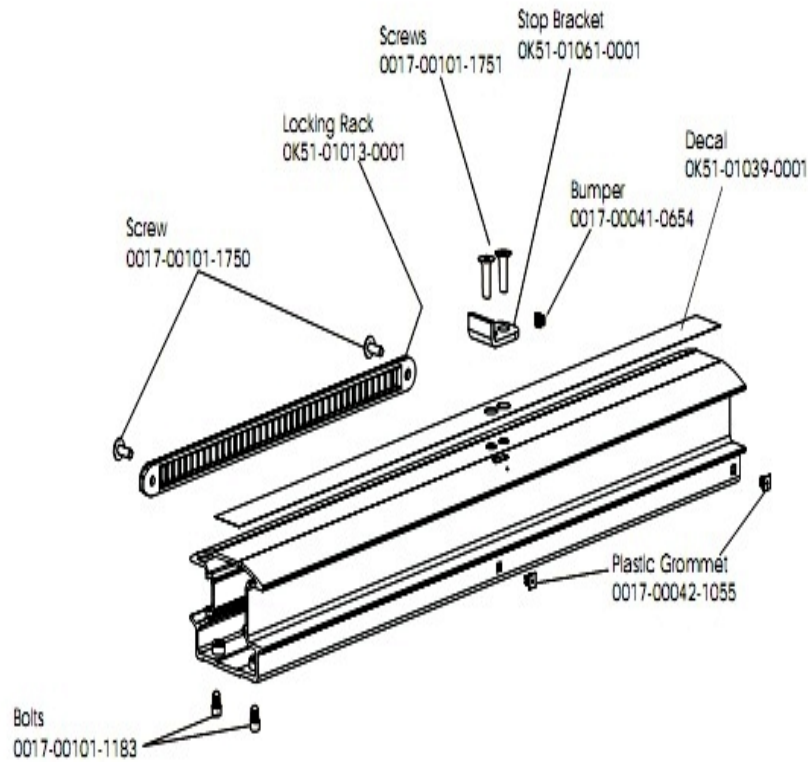
Ref #	Part Number	Qty	Description
-	0017-00101-1744	4	Hardware: Phillips Pan Screw
-	OK39-01005-0001	2	Grip
-	0017-00101-1756	4	Hardware: Frame Post Bolt 0.75"
-	AK39-00003-0001	1	Console Support

Crankshaft and Bearing Assembly



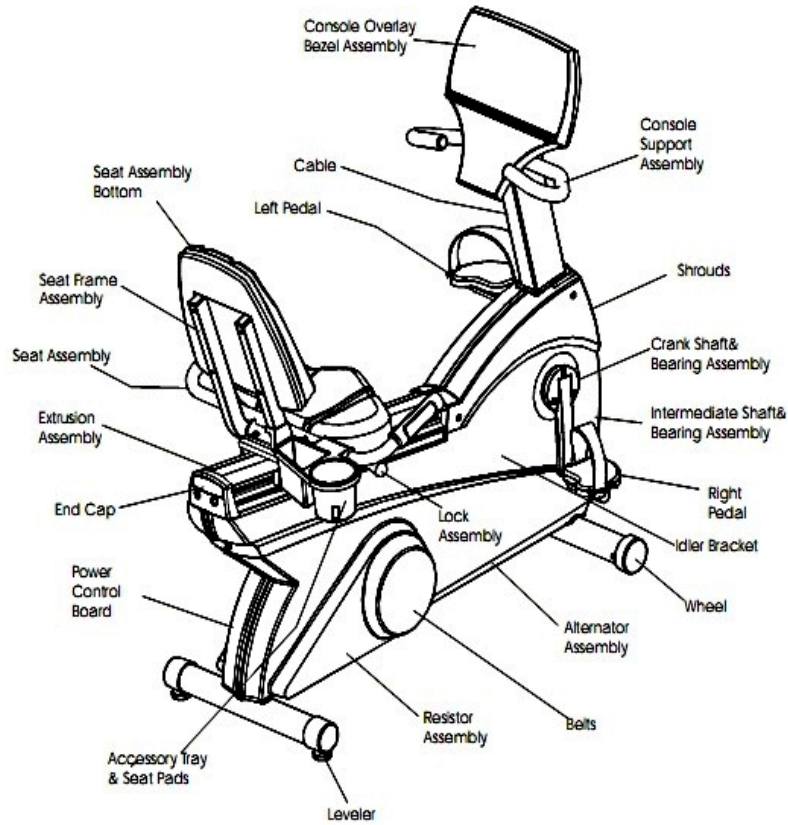
Ref #	Part Number	Qty	Description
-	0017-00101-1715	3	Hardware: TORX Cap Screw 0.625"
-	0017-00100-0243	2	Hardware: Bowed Retaining Ring .984"
-	AK63-00051-0000	1	Pulley Assembly
-	OK63-01129-0001	2	Hardware: Large Thrust Washer
-	OK63-01129-0000	2	Hardware: Small Thrust Washer
-	0017-00100-0241	2	Hardware: Small Snap Ring .984"
-	OK63-01018-0000	1	Crank Pulley
-	0017-00104-0458	3	Hardware: Flat Washer 0.75" OD
-	OK63-01095-0001	2	Crank Arm Hub
-	0017-00101-1705	2	Hardware: Bolt 0.5"
-	OK63-01344-0000	2	Hardware: Needle Bearing
-	GK63-00002-0077	1	Crankshaft and Bearing Kit
-	0017-00104-0409	2	Hardware: Washer 1.125" OD

Extrusion Assembly



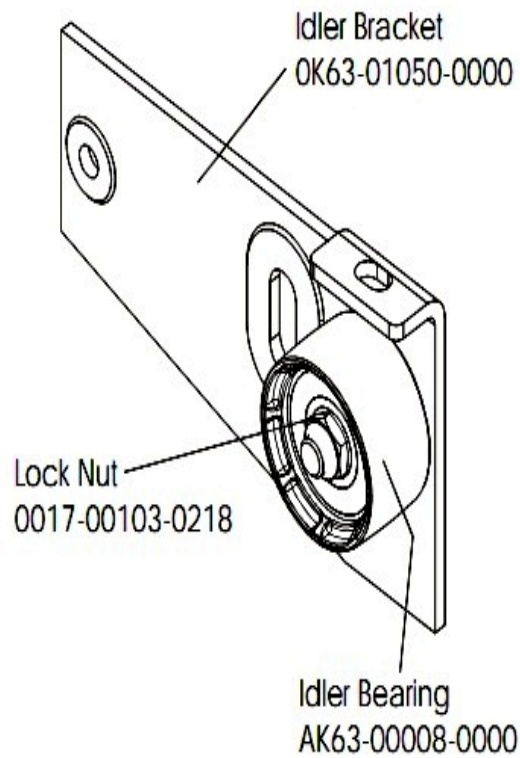
Ref #	Part Number	Qty	Description
-	0017-00041-0654	1	Bumper
-	0017-00101-1751	2	Hardware: Screw 1"
-	OK51-01013-0002	1	Locking Rack
-	AK39-00027-0006	1	Extrusion Seat Assembly
-	0017-00101-1183	2	Hardware: Bolt 0.75"
-	0017-00101-1750	2	Hardware: Screw 0.75"
-	OK51-01039-0001	1	Decal
-	OK51-01061-0001	1	Stop Bracket
-	0017-00042-1055	2	Hardware: Plastic Grommet

General Assembly



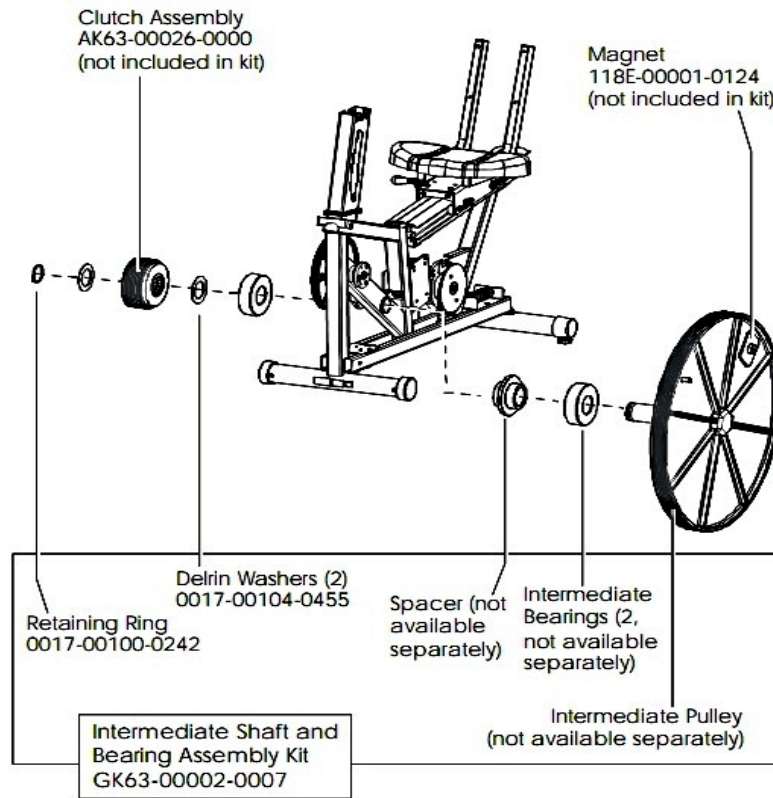
Ref #	Part Number	Qty	Description
-	GK39-00002-0001	1	Polar Upgrade Kit
-	GK39-00002-0008	1	Hardware Bag
-	AK39-00052-0003	1	Accessory Tray

Idler Bracket Assembly



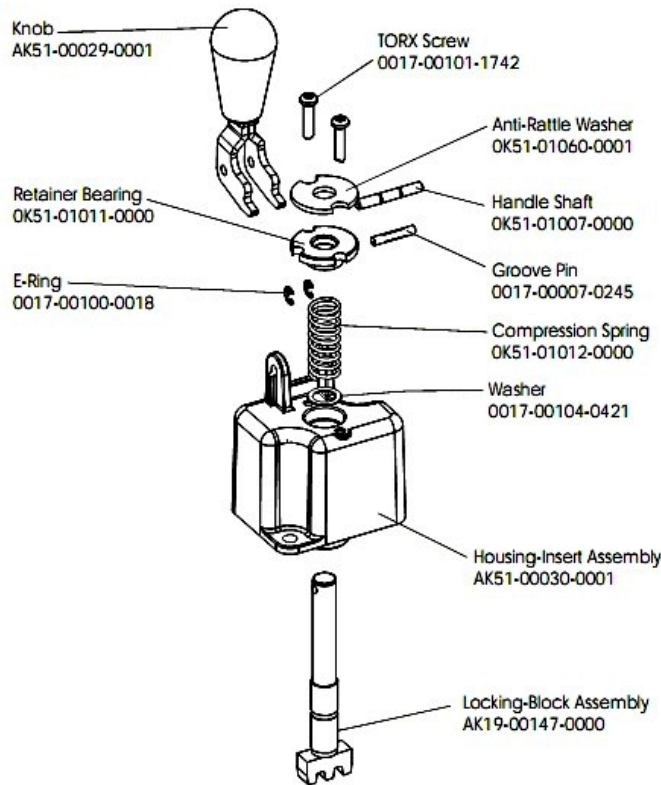
Ref #	Part Number	Qty	Description
-	AK63-00008-0000	1	Idler w/Bearing
-	OK63-01050-0000	1	Idler Bracket
-	AK63-00021-0000	1	Idler Bracket Assembly
-	0017-00103-0218	1	Hardware: Lock Nut 3/8" ID

Intermediate Shaft and Bearing Kit Assembly



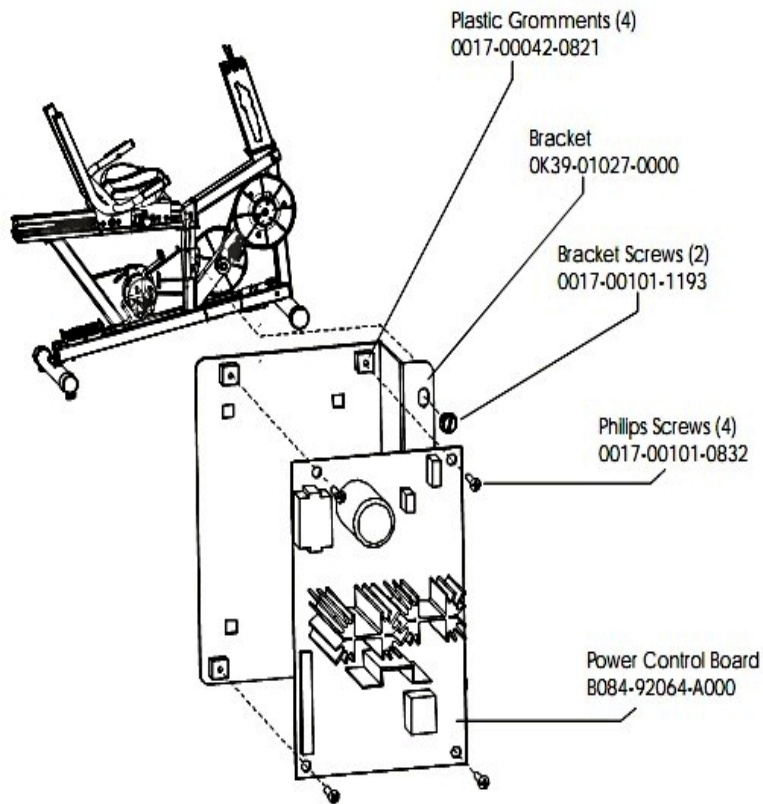
Ref #	Part Number	Qty	Description
-	GK63-00002-0007	1	Intermediate Shaft and Bearing Assembly
-	0017-00100-0242	1	Hardware: Retaining Ring .781"
-	118E-00001-0124	1	Auto-Start Magnet
-	0017-00104-0455	2	Hardware: Delrin Washer 1.250" OD
-	GK63-00002-0079	1	Kit: Upright/Rec Belt And Pulley

Locking Assembly



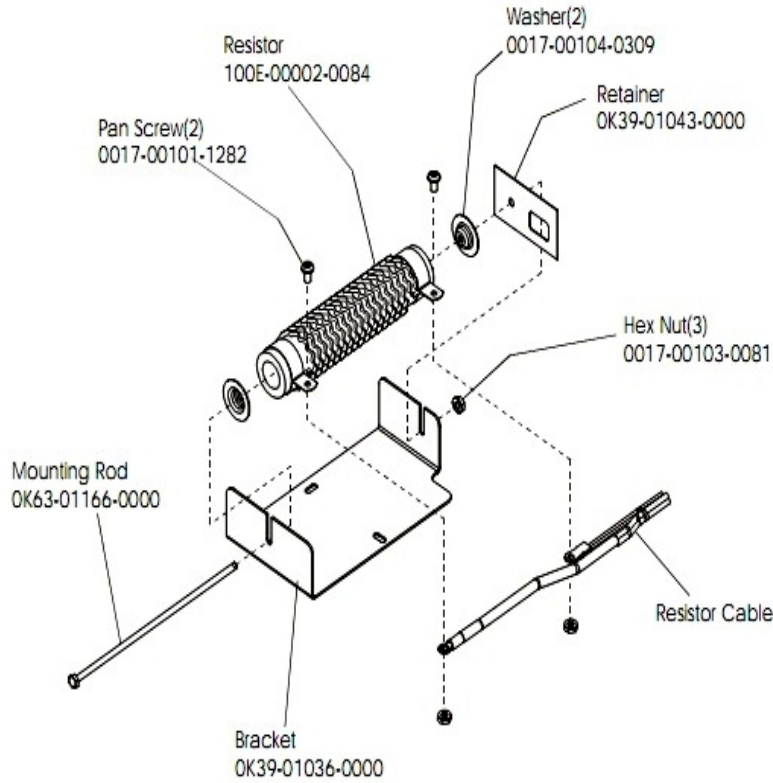
Ref #	Part Number	Qty	Description
-	0017-00007-0245	1	Hardware: Groove Pin 5/32" D 1.75" L
-	AK51-00053-0001	1	Lock Assembly
-	0017-00101-1742	2	Hardware: TORX Screw 0.75"
-	AK19-00147-0000	1	Locking-Block Assembly
-	AK51-00030-0001	1	Housing-Insert Assembly
-	OK51-01060-0001	1	Hardware: Anti-Rattle Washer
-	0017-00100-0018	2	Hardware: E-Ring .188"
-	0017-00104-0421	1	Hardware: Flat Washer 0.64" OD
-	AK51-00029-0001	1	Knob
-	OK51-01007-0000	1	Handle Shaft
-	OK51-01012-0000	1	Compression Spring
-	OK51-01011-0000	1	Hardware: Retainer Bearing

Power Control Board



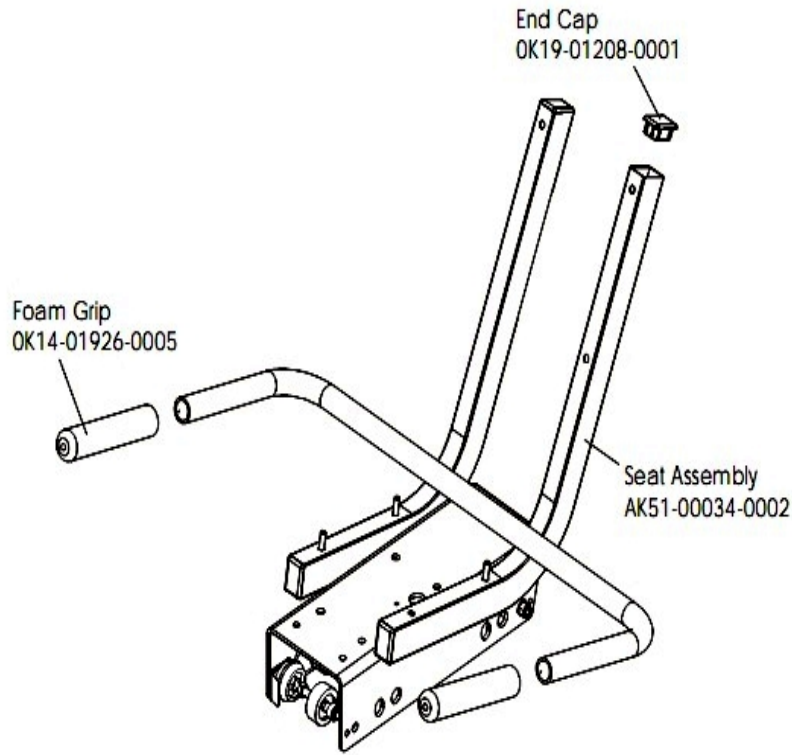
Ref #	Part Number	Qty	Description
-	0017-00042-0821	4	Hardware: Plastic Grommet
-	B084-92064-A000	1	PCB Circuit Board
-	OK39-01027-0000	1	PCB Bracket
-	0017-00101-1193	2	Hardware: Screw 0.375"
-	0017-00101-0832	4	Hardware: Mounting Bolt. 1"

Resistor Assembly



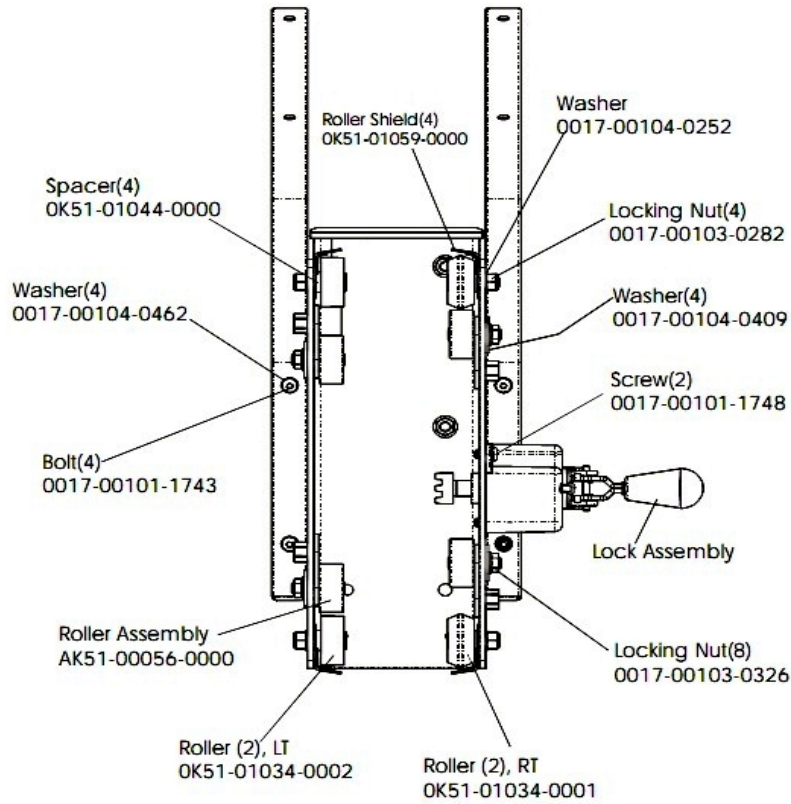
Ref #	Part Number	Qty	Description
-	0017-00103-0081	3	Hardware: Hex Nut ID
-	0017-00101-1282	2	Hardware: TORX Screw 0.375"
-	0017-00104-0309	2	Hardware: Washer 1.12" OD
-	100E-00002-0084	1	Resistor
-	OK39-01043-0000	1	Resistor Retainer
-	OK39-01036-0000	1	Resistor Bracket
-	OK63-01166-0000	1	Resistor Mounting Rod

Seat Assembly



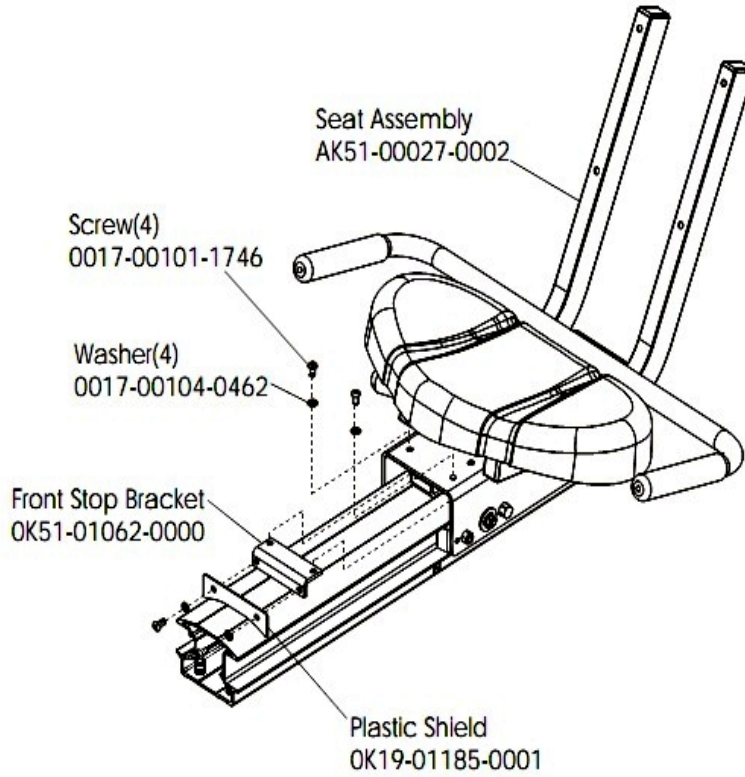
Ref #	Part Number	Qty	Description
-	OK19-01208-0001	2	End Cap
-	OK14-01926-0005	2	Foam Grip
-	AK51-00034-0002	2	Seat Assembly

Seat Bottom Assembly



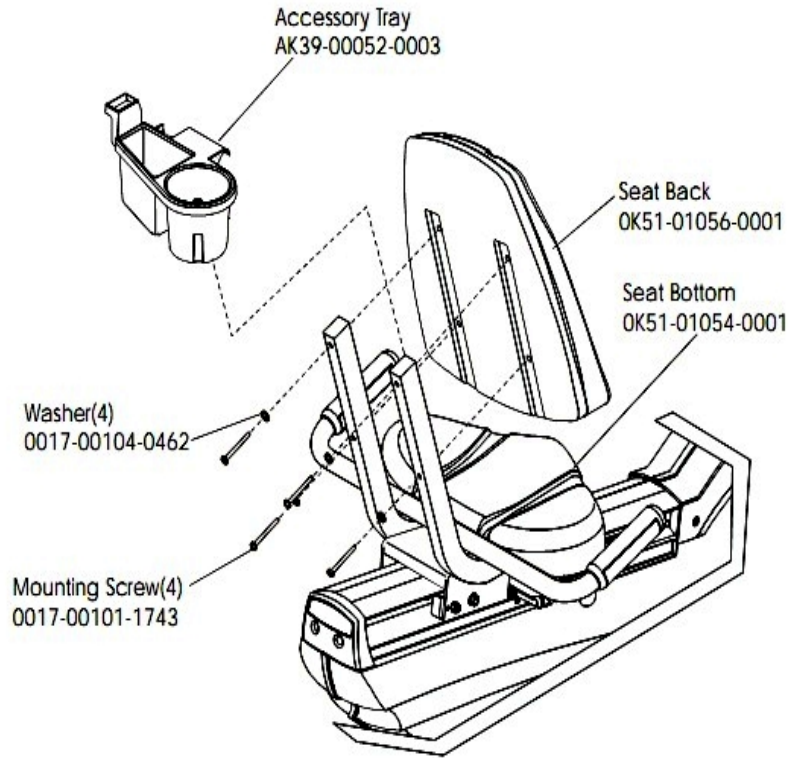
Ref #	Part Number	Qty	Description
-	0017-00103-0326	8	Hardware: Locking Nut 5/16" ID
-	AK51-00056-0000	1	Roller Assembly
-	0017-00101-1748	2	Hardware: Screw 0.5"
-	OK51-01034-0002	2	Seat Roller: Left
-	0017-00103-0282	4	Hardware: Locking Nut 5/16" ID
-	0017-00104-0462	4	Hardware: Flat Washer 0.478" OD
-	0017-00101-1743	4	Hardware: Mounting Screw 2.25"
-	OK51-01034-0001	2	Seat Roller: Right
-	0017-00104-0252	1	Hardware: Washer
-	0017-00104-0409	4	Hardware: Washer 1.125" OD
-	OK51-01044-0000	4	Roller Spacer
-	OK51-01059-0000	4	Roller Guard

Seat Frame Assembly



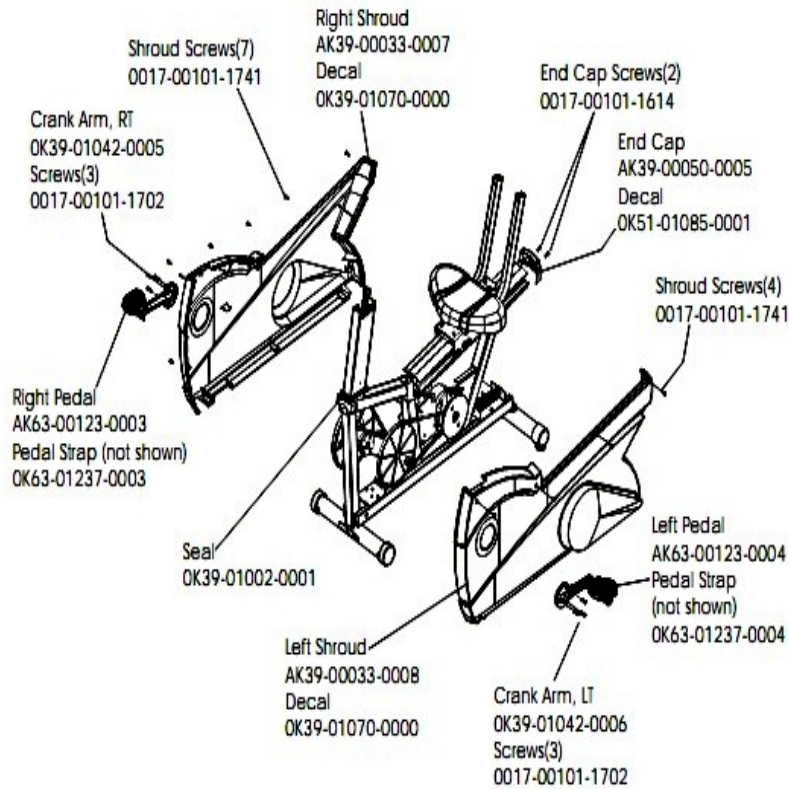
Ref #	Part Number	Qty	Description
-	0017-00101-1746	4	Hardware: Console Support Cap Screw
-	OK51-01062-0000	1	Front Stop Bracket
-	OK19-01185-0001	1	Plastic Shield
-	0017-00104-0462	4	Hardware: Flat Washer 0.478" OD
-	AK51-00027-0002	1	Seat Assembly

Seat Pads and Accessory Tray



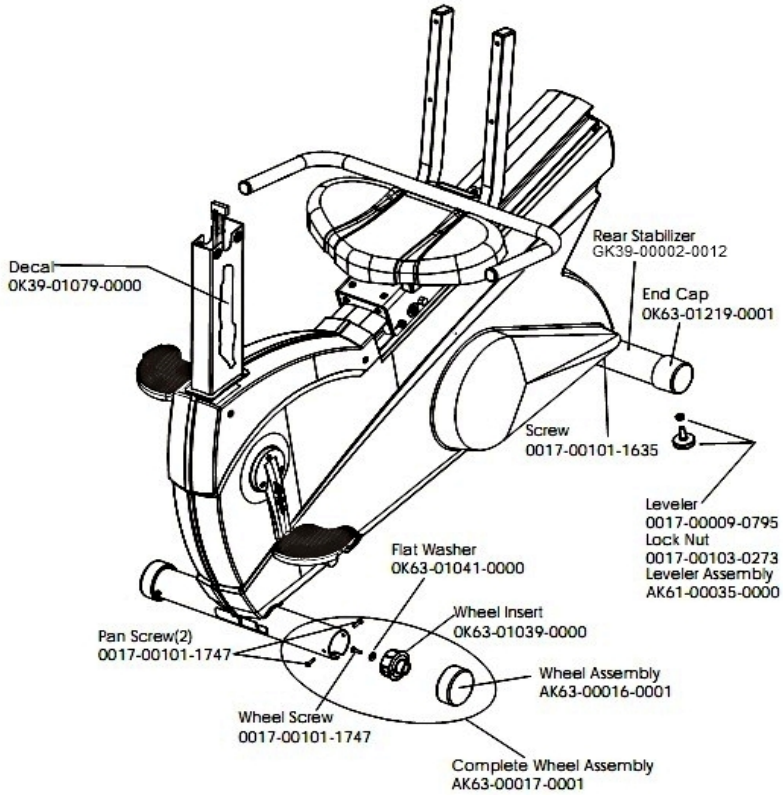
Ref #	Part Number	Qty	Description
-	AK39-00052-0003	1	Accessory Tray
-	OK51-01054-0001	1	Seat Bottom
-	OK51-01056-0001	1	Seat Back
-	0017-00101-1743	4	Hardware: Mounting Screw 2.25"
-	0017-00104-0462	4	Hardware: Flat Washer 0.478" OD

Shrouds, End Caps and Crank Arm



Ref #	Part Number	Qty	Description
-	OK39-01002-0001	1	Gasket
-	OK39-01042-0006	1	Crank Arm Left
-	OK51-01085-0001	1	Decal
-	OK39-01070-0000	2	Decal
-	OK63-01237-0003	1	Right Pedal Strap
-	AK39-00033-0008	1	Shroud with Decal - Left
-	0017-00101-1614	2	Hardware: Screw 0.625"
-	AK39-00050-0005	1	End Cap
-	0017-00101-1702	6	Hardware: Screw
-	0017-00101-1741	11	Hardware: Screw
-	AK63-00123-0003	1	Right Pedal
-	AK39-00033-0007	1	Shroud with Decal - Right
-	AK63-00123-0004	1	Left Pedal
-	OK63-01237-0004	1	Left Pedal Strap
-	OK39-01042-0005	1	Crank Arm Right

Wheel and Leveler



Ref #	Part Number	Qty	Description
-	OK63-01039-0000	2	Wheel Insert
-	0017-00101-1635	1	Hardware: Hex Bolt 1"
-	OK63-01219-0001	2	End Cap
-	0017-00103-0273	2	Hardware: Hex Nut 3/8" ID
-	OK39-01079-0000	2	Decal
-	0017-00101-1747	6	Hardware: Pan Screw 0.75"
-	AK63-00017-0001	2	Front Wheel Assembly
-	AK63-00016-0001	2	Wheel/Bearing Assembly
-	AK61-00035-0000	2	Leg Leveler
-	OK63-01041-0000	2	Hardware: Flat Washer
-	GK39-00002-0012	1	Rear Stabilizer
-	0017-00009-0795	2	Leg Leveler

