

# 90R Recumbent Lifecycle - Prewired - Heart Rate

90R-0100-04

## Parts Manual

1/5/2019 6:05:15 AM



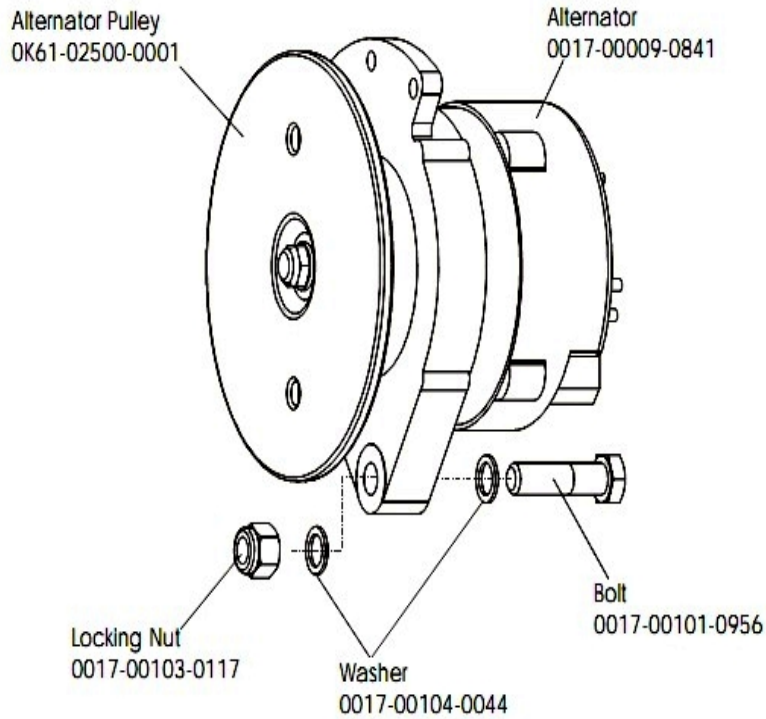
## Table of Contents

---

<a href="#">Alternator with Pulley Assembly</a> .....	3
<a href="#">Cables</a> .....	4
<a href="#">Console Components</a> .....	5
<a href="#">Console Support Assembly</a> .....	6
<a href="#">Crankshaft and Bearing Assembly</a> .....	7
<a href="#">Extrusion Assembly</a> .....	8
<a href="#">Idler Bracket Assembly</a> .....	9
<a href="#">Intermediate Shaft and Bearing Assembly</a> .....	10
<a href="#">Locking Assembly</a> .....	11
<a href="#">Miscellaneous</a> .....	12
<a href="#">Power Control Board</a> .....	13
<a href="#">Resistor Mounting Bracket Assembly</a> .....	14
<a href="#">Seat Assembly</a> .....	15
<a href="#">Seat Assembly - Bottom</a> .....	16
<a href="#">Seat Frame Assembly</a> .....	17
<a href="#">Seat Pads and Accessory Tray</a> .....	18
<a href="#">Shrouds, End Cap and Pedals</a> .....	19
<a href="#">Wheel and Leveler</a> .....	20

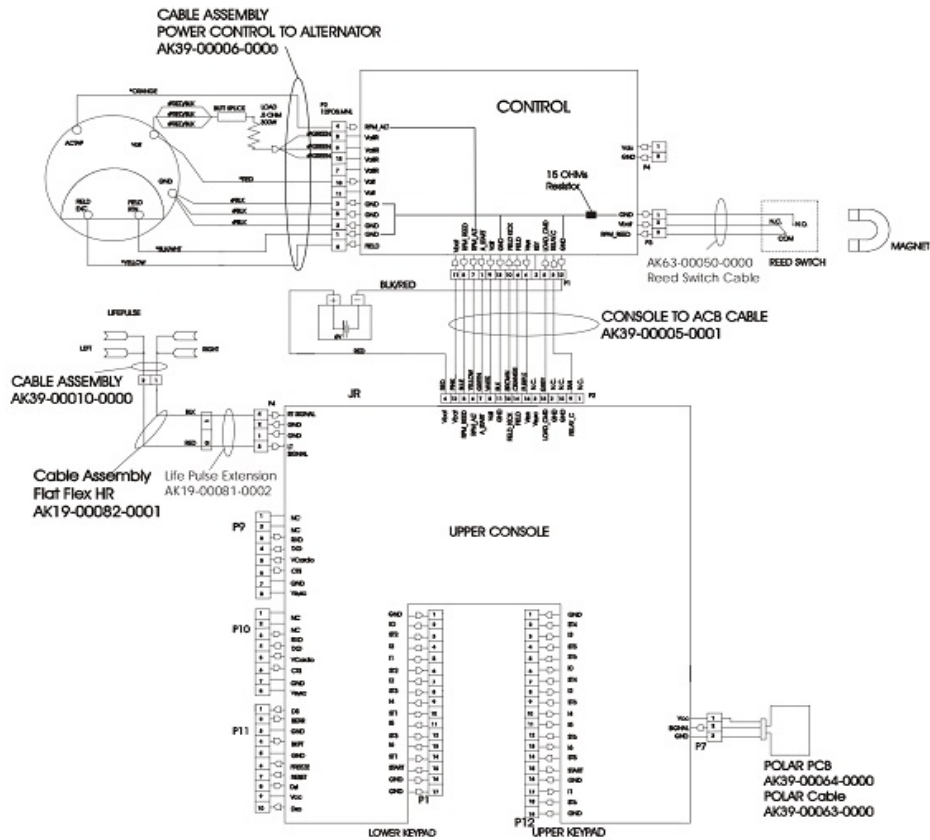
## Alternator with Pulley Assembly

Assembly Number – AK63-00093-0000



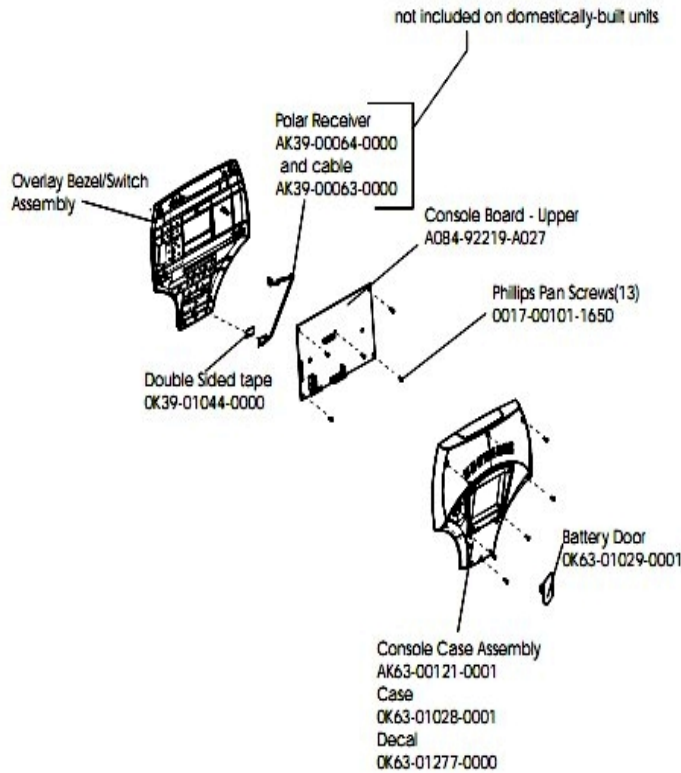
Ref #	Part Number	Qty	Description
-	OK61-01027-0000	1	Flywheel: 6.75" D
-	0017-00103-0117	1	Hardware: Locking Nut 1/2" ID
-	0017-00101-0956	1	Hardware: Bolt 2"
-	0017-00104-0044	2	Hardware: Washer 0.75" OD
-	0017-00009-0841	1	Alternator
-	AK63-00093-0000	1	Alternator w/Pulley

### Cables



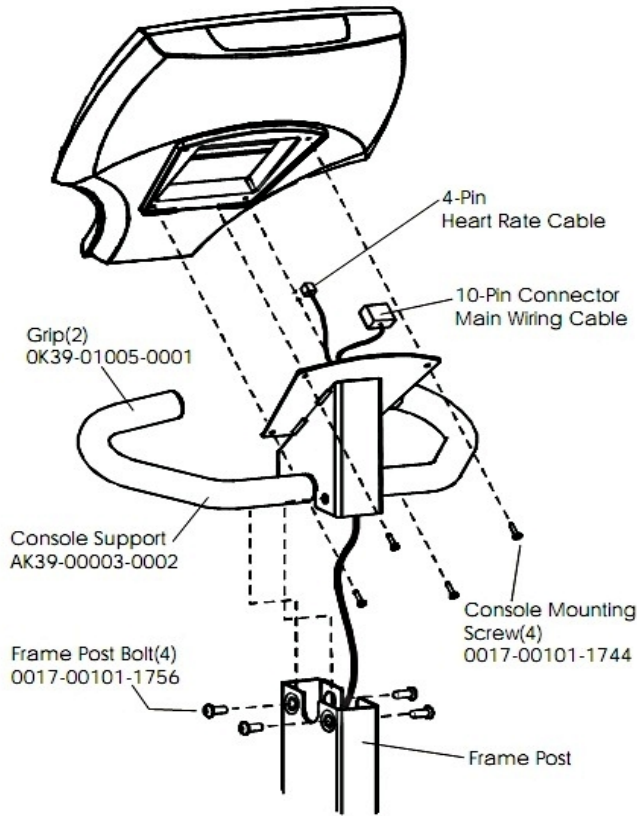
Ref #	Part Number	Qty	Description
-	AK39-00063-0000	1	Polar Cable
-	AK39-00005-0001	1	10-Pin Connector Main Wiring Cable
-	118E-00001-0259	1	Wireless Receiver Module, Non-Coded
-	AK19-00082-0001	1	Flat Flex Cable
-	AK63-00050-0000	1	Reed Switch Bracket Assembly
-	AK39-00010-0000	1	Cable Assembly: 2-sensor Handlebar
-	AK19-00081-0002	1	Life Pulse Extension

## Console Components



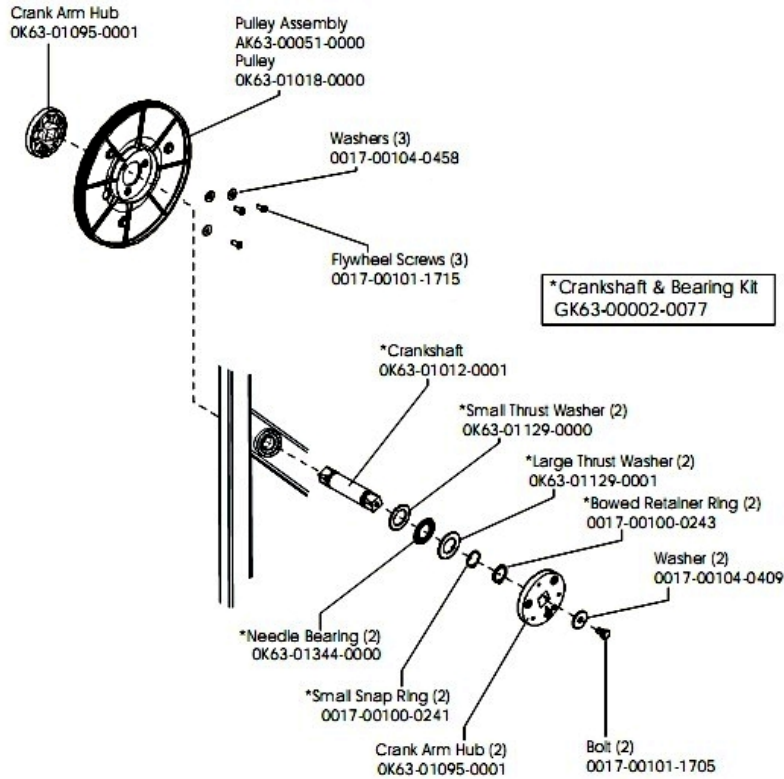
Ref #	Part Number	Qty	Description
-	AK39-00063-0000	1	Polar Cable
-	A084-92219-A027	1	Console Board - Upper
-	OK39-01044-0000	1	Tape
-	OK63-01028-0001	1	Case
-	AK39-00110-0002	1	Console Assembly English/Metric
-	0017-00101-1650	13	Hardware: Phillips Pan Screw 0.375"
-	AK63-00167-0001	1	Bezel with Overlay Assembly English Metric
-	AK63-00121-0001	1	Console Case Assembly
-	OK63-01029-0001	1	Battery Door
-	118E-00001-0259	1	Wireless Receiver Module, Non-Coded
-	OK63-01277-0000	1	Console Decal

## Console Support Assembly



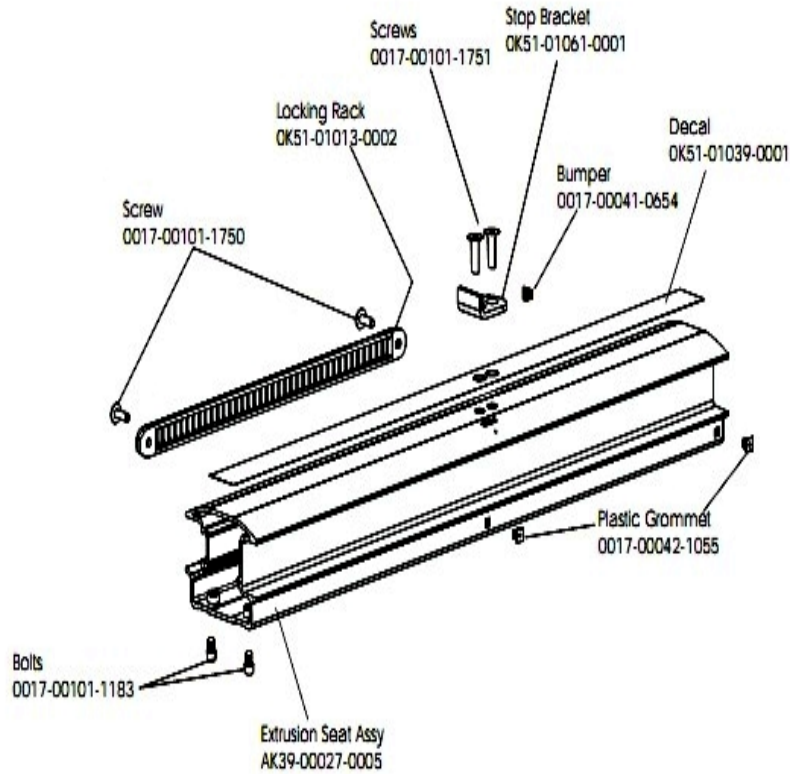
Ref #	Part Number	Qty	Description
-	0017-00101-1756	4	Hardware: Frame Post Bolt 0.75"
-	0017-00101-1744	4	Hardware: Phillips Pan Screw
-	AK39-00003-0002	1	Console Support
-	OK39-01005-0001	2	Grip

# Crankshaft and Bearing Assembly



Ref #	Part Number	Qty	Description
-	OK63-01018-0000	1	Crank Pulley
-	0017-00100-0241	2	Hardware: Small Snap Ring .984"
-	0017-00100-0243	2	Hardware: Bowed Retaining Ring .984"
-	OK63-01129-0000	2	Hardware: Small Thrust Washer
-	OK63-01344-0000	2	Hardware: Needle Bearing
-	0017-00101-1705	2	Hardware: Bolt 0.5"
-	OK63-01129-0001	2	Hardware: Large Thrust Washer
-	0017-00104-0409	2	Hardware: Washer 1.125" OD
-	OK63-01095-0001	3	Crank Arm Hub
-	0017-00104-0458	3	Hardware: Flat Washer 0.75" OD
-	GK63-00002-0077	1	Crankshaft and Bearing Kit
-	AK63-00051-0000	1	Pulley Assembly
-	0017-00101-1715	3	Hardware: TORX Cap Screw 0.625"
-	OK63-01012-0001	1	Crankshaft

## Extrusion Assembly

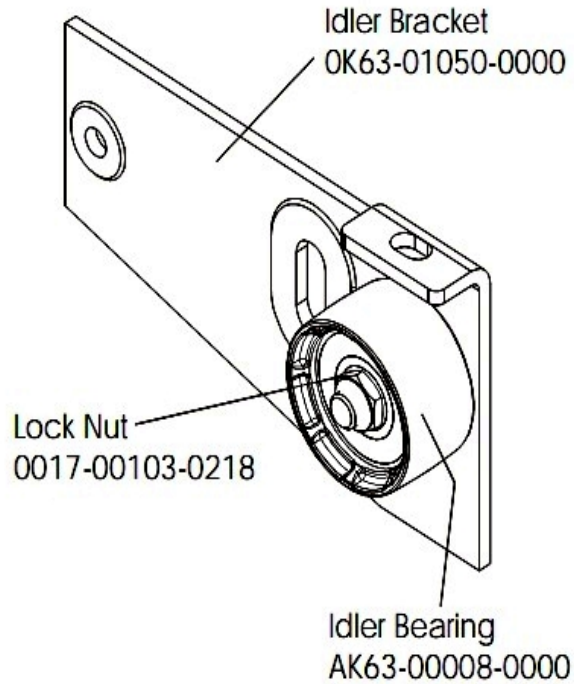


Ref #	Part Number	Qty	Description
-	0017-00041-0654	1	Bumper
-	AK39-00027-0005	2	Extrusion Seat Assembly
-	0017-00101-1751	2	Hardware: Screw 1"
-	OK51-01013-0002	1	Locking Rack
-	0017-00101-1183	2	Hardware: Bolt 0.75"
-	0017-00101-1750	2	Hardware: Screw 0.75"
-	OK51-01039-0001	1	Decal
-	OK51-01061-0001	1	Stop Bracket
-	0017-00042-1055	2	Hardware: Plastic Grommet

## Idler Bracket Assembly

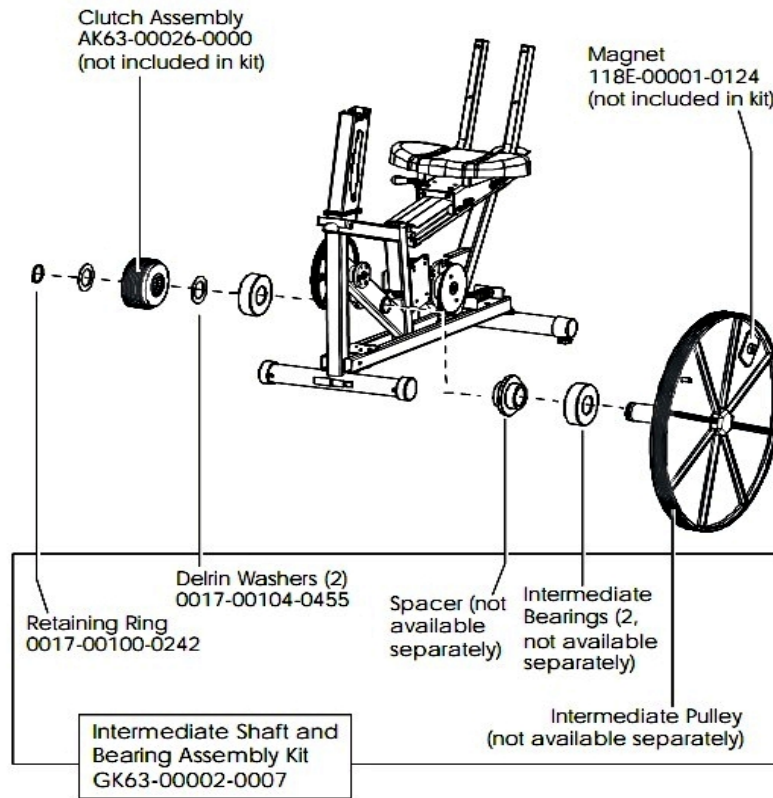
---

Idler Bracket Assembly – AK63-00021-0000



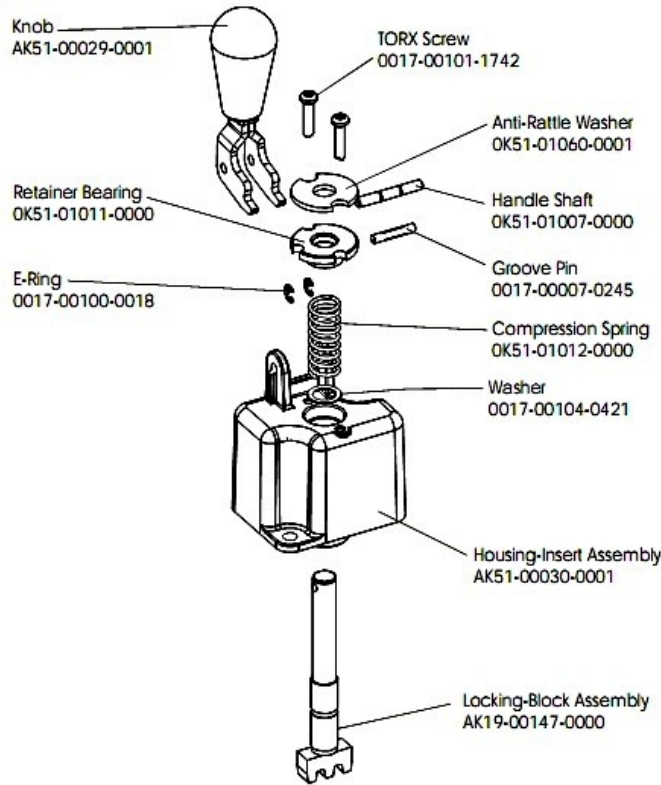
Ref #	Part Number	Qty	Description
-	AK63-00008-0000	1	Idler w/Bearing
-	OK63-01050-0000	1	Idler Bracket
-	AK63-00021-0000	1	Idler Bracket Assembly
-	0017-00103-0218	1	Hardware: Lock Nut 3/8" ID

## Intermediate Shaft and Bearing Assembly



Ref #	Part Number	Qty	Description
-	GK63-00002-0007	1	Intermediate Shaft and Bearing Assembly
-	0017-00100-0242	1	Hardware: Retaining Ring .781"
-	118E-00001-0124	1	Auto-Start Magnet
-	0017-00104-0455	2	Hardware: Delrin Washer 1.250" OD
-	GK63-00002-0079	1	Kit: Upright/Rec Belt And Pulley

## Locking Assembly



Ref #	Part Number	Qty	Description
-	0017-00007-0245	1	Hardware: Groove Pin 5/32" D 1.75" L
-	AK51-00053-0001	1	Lock Assembly
-	0017-00101-1742	2	Hardware: TORX Screw 0.75"
-	AK19-00147-0000	1	Locking-Block Assembly
-	AK51-00030-0001	1	Housing-Insert Assembly
-	OK51-01060-0001	1	Hardware: Anti-Rattle Washer
-	0017-00100-0018	2	Hardware: E-Ring .188"
-	0017-00104-0421	1	Hardware: Flat Washer 0.64" OD
-	AK51-00029-0001	1	Knob
-	OK51-01007-0000	1	Handle Shaft
-	OK51-01012-0000	1	Compression Spring
-	OK51-01011-0000	1	Hardware: Retainer Bearing

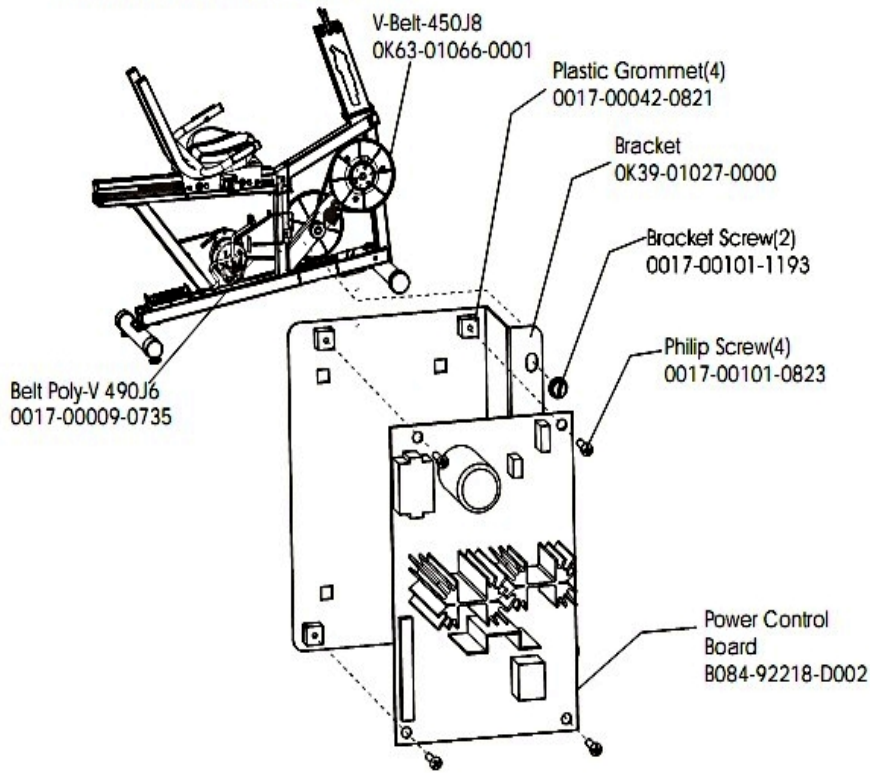
**Miscellaneous**

---

Ref #	Part Number	Qty	Description
-	0017-00021-2846	1	F-Type Panel Connector
-	0017-00008-0205	1	5 oz Bottle - Arctic Silver
-	AK32-00020-0001	1	Coax Cable: 90"
-	0017-00008-0204	1	Paint Spray Can - Arctic Silver
-	GK39-00002-0008	1	Hardware Bag
-	0017-00008-0206	1	.33oz Pen - Arctic Silver
-	AK39-00093-0000	1	Access Panel Assembly
-	AK39-00052-0003	1	Accessory Tray
-	AK32-00078-0001	1	Power Extension Cable: 120"

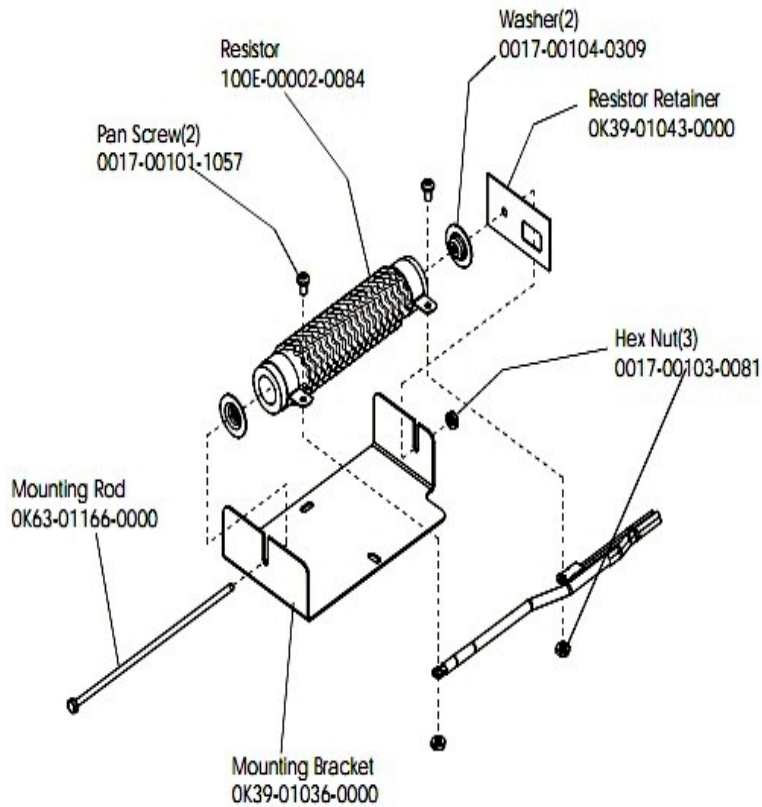
# Power Control Board

Assembly Number - AK39-00022-0001



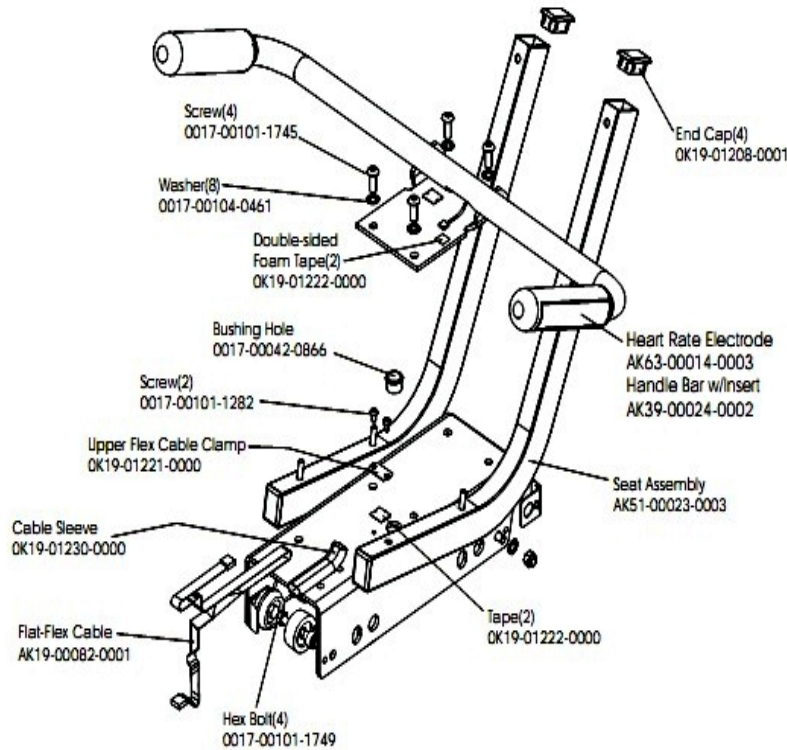
Ref #	Part Number	Qty	Description
-	GK63-00002-0079	1	Kit: Upright/Rec Belt And Pulley
-	0017-00042-0821	4	Hardware: Plastic Grommet
-	B084-92218-0000	1	PCB Circuit Board
-	AK39-00022-0001	1	PCB Assembly
-	0017-00009-1324	1	Belt: Poly-V; 49.00 IN
-	0017-00101-1193	2	Hardware: Screw 0.375"
-	OK39-01027-0000	1	PCB Bracket
-	0017-00101-0823	4	Hardware: Screw 0.75"

## Resistor Mounting Bracket Assembly



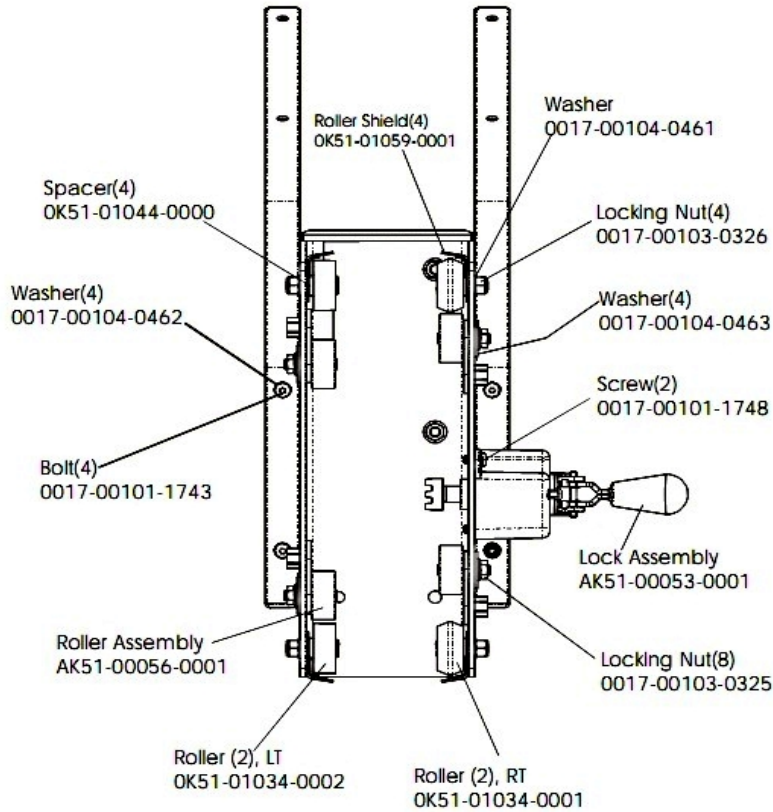
Ref #	Part Number	Qty	Description
-	0017-00103-0081	3	Hardware: Hex Nut ID
-	0017-00104-0309	2	Hardware: Washer 1.12" OD
-	AK39-00020-0002	1	Resistor Assembly
-	100E-00002-0084	1	Resistor
-	OK63-01166-0000	1	Resistor Mounting Rod
-	OK39-01043-0000	1	Resistor Retainer
-	OK39-01036-0000	1	Resistor Bracket
-	0017-00101-1057	2	Hardware: Pan Screw 0.5"

## Seat Assembly



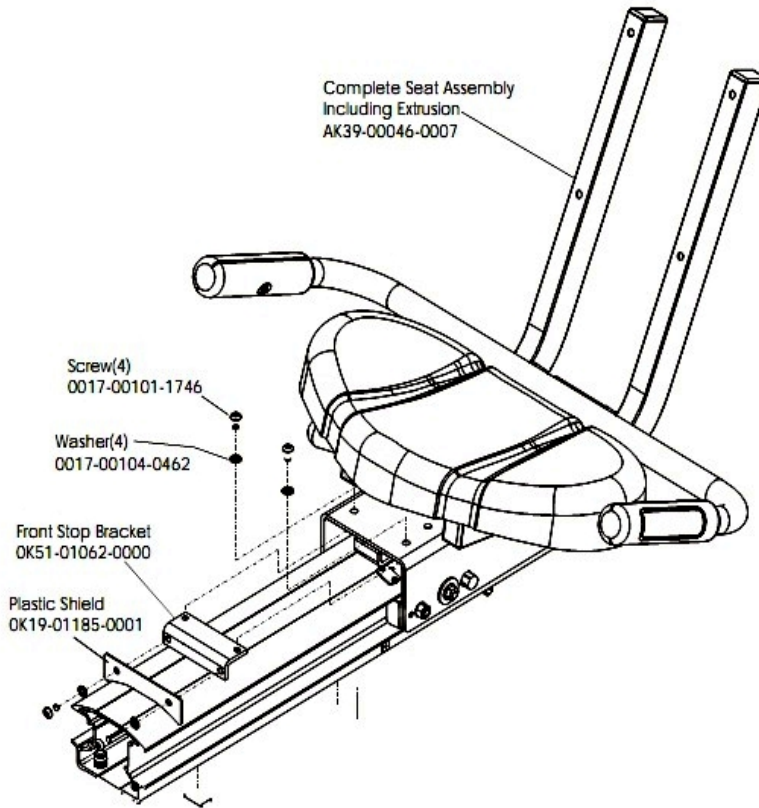
Ref #	Part Number	Qty	Description
-	AK19-00082-0001	1	Flat Flex Cable
-	0017-00042-0866	1	Hardware: Hole Bushing - 3/4"
-	OK19-01208-0001	4	End Cap
-	OK19-01221-0000	1	Hardware: Upper Flex Cable Clamp
-	0017-00101-1749	4	Hardware: Hex Bolt 1.25"
-	0017-00104-0461	8	Hardware: Flat Washer 0.602" OD
-	AK63-00014-0003	1	Heart Rate Electrode
-	OK19-01230-0000	1	Cable Sleeve
-	0017-00101-1282	2	Hardware: TORX Screw 0.375"
-	AK39-00024-0002	1	Handlebar with Insert
-	0017-00101-1745	4	Hardware: Screw 0.875"
-	AK51-00023-0003	1	Seat Assembly
-	OK19-01222-0000	4	Double-sided Foam Tape

## Seat Assembly - Bottom



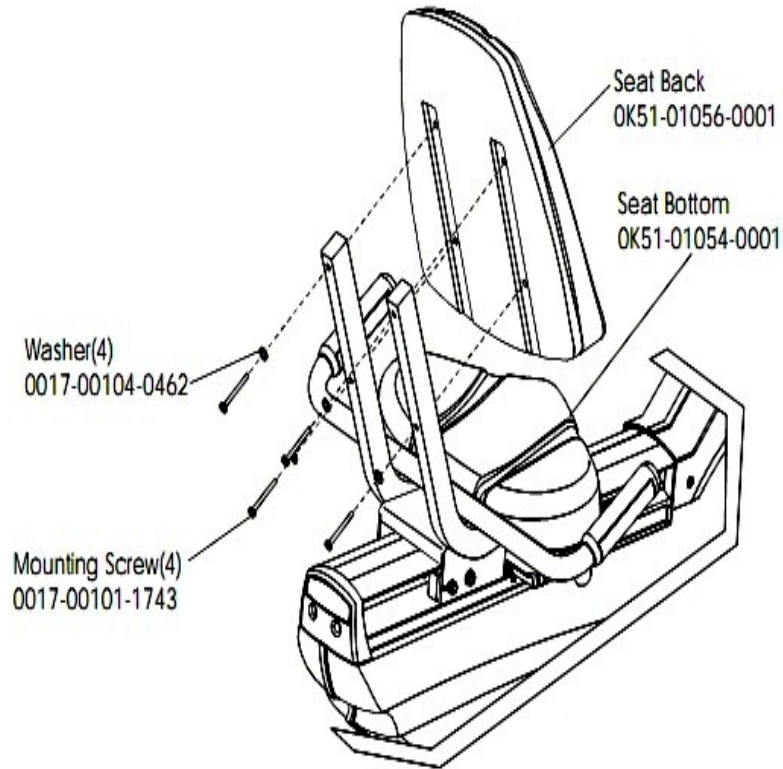
Ref #	Part Number	Qty	Description
-	0017-00103-0326	4	Hardware: Locking Nut 5/16" ID
-	AK51-00053-0001	1	Lock Assembly
-	OK51-01044-0000	4	Roller Spacer
-	0017-00101-1743	4	Hardware: Mounting Screw 2.25"
-	OK51-01034-0001	2	Seat Roller: Right
-	0017-00104-0462	4	Hardware: Flat Washer 0.478" OD
-	AK51-00056-0001	1	Roller Assembly
-	0017-00104-0463	4	Hardware: Flat Washer 1.125" OD
-	OK51-01059-0001	4	Roller Shield
-	OK51-01034-0002	2	Seat Roller: Left
-	0017-00101-1748	2	Hardware: Screw 0.5"
-	0017-00104-0461	1	Hardware: Flat Washer 0.602" OD
-	0017-00103-0325	8	Hardware: Locking Nut 5/16" ID

## Seat Frame Assembly



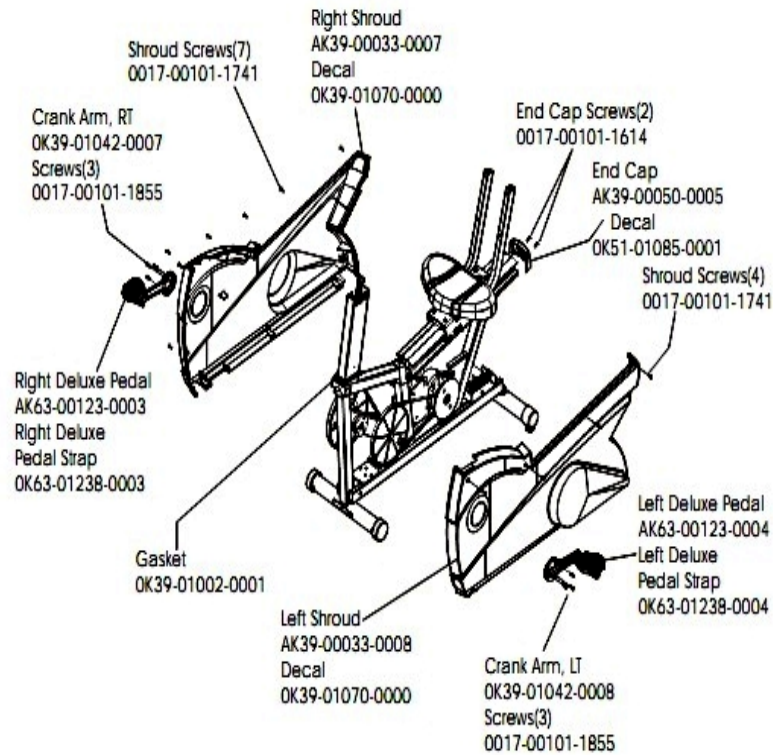
Ref #	Part Number	Qty	Description
-	0017-00101-1746	4	Hardware: Console Support Cap Screw
-	OK51-01062-0000	1	Front Stop Bracket
-	AK39-00046-0007	2	Seat Assembly Frame with Extrusion
-	OK19-01185-0001	1	Plastic Shield
-	0017-00104-0462	4	Hardware: Flat Washer 0.478" OD

## Seat Pads and Accessory Tray



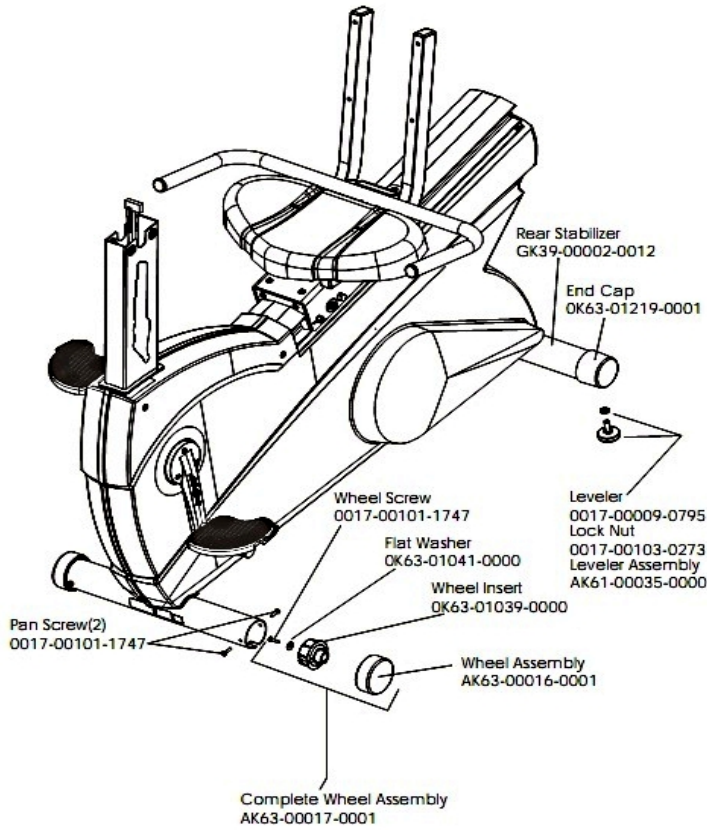
Ref #	Part Number	Qty	Description
-	0K51-01054-0001	1	Seat Bottom
-	0017-00101-1743	4	Hardware: Mounting Screw 2.25"
-	0K51-01056-0001	1	Seat Back
-	0017-00104-0462	4	Hardware: Flat Washer 0.478" OD

## Shrouds, End Cap and Pedals



Ref #	Part Number	Qty	Description
-	0017-00101-1855	6	Hardware: TORX Screw 0.875"
-	OK39-01070-0000	2	Decal
-	AK63-00123-0004	1	Left Pedal
-	AK39-00050-0005	1	End Cap
-	AK39-00033-0007	1	Shroud with Decal - Right
-	OK63-01238-0004	1	Left Pedal Strap
-	OK39-01002-0001	1	Gasket
-	0017-00101-1614	2	Hardware: Screw 0.625"
-	0017-00101-1741	11	Hardware: Screw
-	OK39-01042-0007	1	Crank Arm: Right
-	OK39-01042-0008	1	Crank Arm: Left
-	AK63-00123-0003	1	Right Pedal
-	OK63-01238-0003	1	Right Pedal Strap
-	AK39-00033-0008	1	Shroud with Decal - Left
-	OK51-01085-0001	1	Decal

## Wheel and Leveler



Ref #	Part Number	Qty	Description
-	OK63-01041-0000	2	Hardware: Flat Washer
-	0017-00009-0795	2	Leg Leveler
-	AK61-00035-0000	2	Leg Leveler
-	AK63-00016-0001	2	Wheel/Bearing Assembly
-	AK63-00017-0001	2	Front Wheel Assembly
-	AK39-00006-0000	2	Power Cable
-	0017-00103-0273	2	Hardware: Hex Nut 3/8" ID
-	GK39-00002-0012	1	Rear Stabilizer
-	OK63-01039-0000	2	Wheel Insert
-	OK63-01219-0001	2	End Cap
-	0017-00101-1747	6	Hardware: Pan Screw 0.75"

