

90S Stairclimber - Prewired - Heart Rate

90S-0300-04

Parts Manual

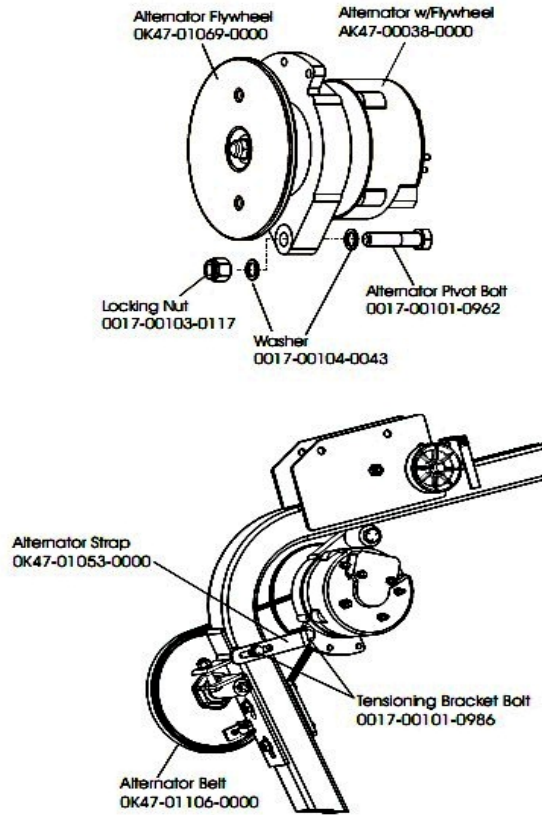
1/5/2019 6:16:42 AM



Table of Contents

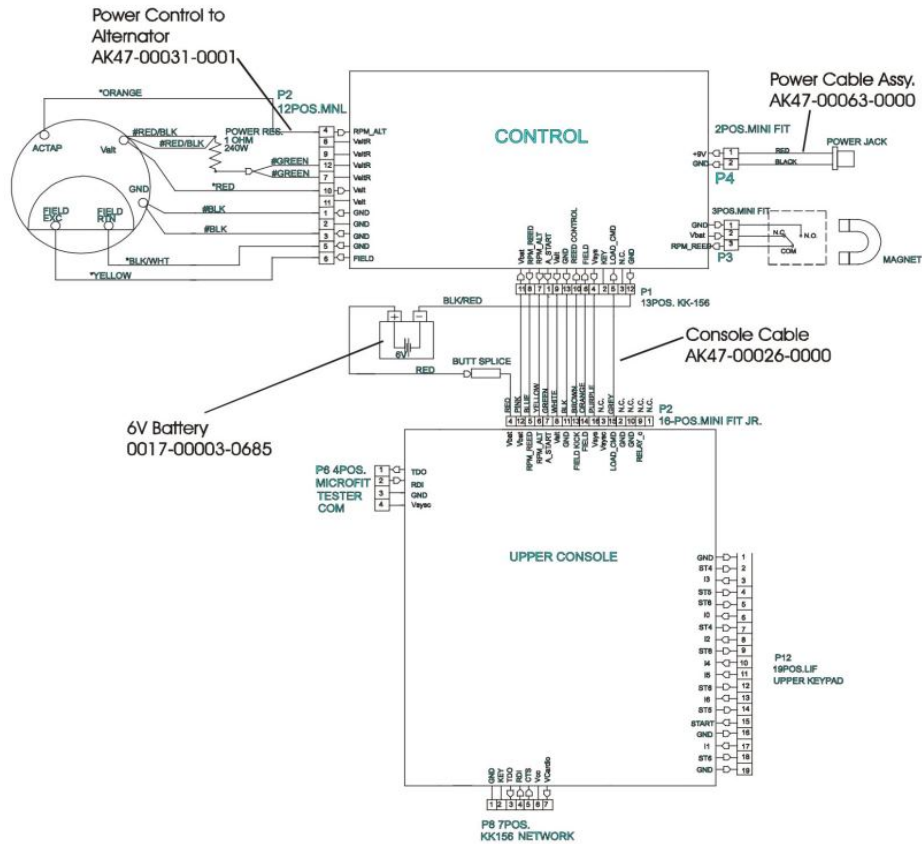
[Alternator Assembly](#).....3
[Cables](#).....4
[Clutch, Shaft and Pulley Assembly](#).....5
[Console and Related Components](#).....6
[Crossover Pulley Assembly](#).....7
[Frame Components](#).....8
[Guide Rollers](#).....9
[Left Clutch Assembly](#).....10
[Pedal Assembly](#).....11
[Polar Cap](#).....13
[Power Control Board and Resistor](#).....14
[References](#).....15
[Shrouds and Pedal Tube](#).....16

Alternator Assembly



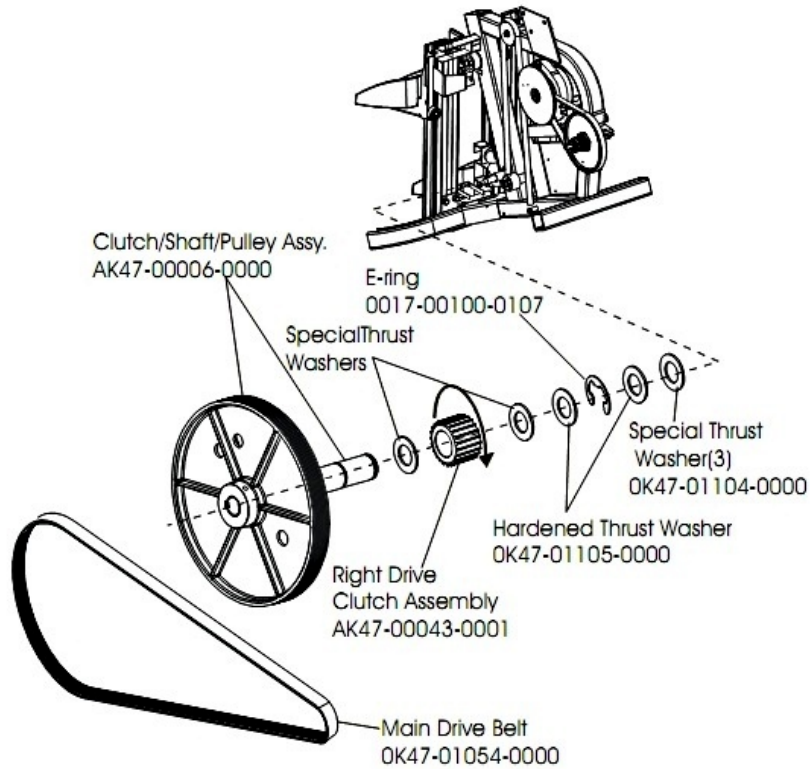
Ref #	Part Number	Qty	Description
-	0017-00101-0986	1	Hardware: Bolt 0.75"
-	0017-00103-0117	1	Hardware: Locking Nut 1/2" ID
-	0017-00101-0962	1	Hardware: Alternator Pivot Bolt 3.5"
-	OK47-01230-0000	1	FLYWHEEL
-	0017-00104-0043	2	Hardware: Flat Washer 0.734" OD
-	OK47-01053-0000	1	Tensioning Bracket
-	OK47-01229-0000	1	BELT: POLY-V; 320J6; 32.00 IN.
-	AK47-00038-0000	1	Alternator with Flywheel

Cables



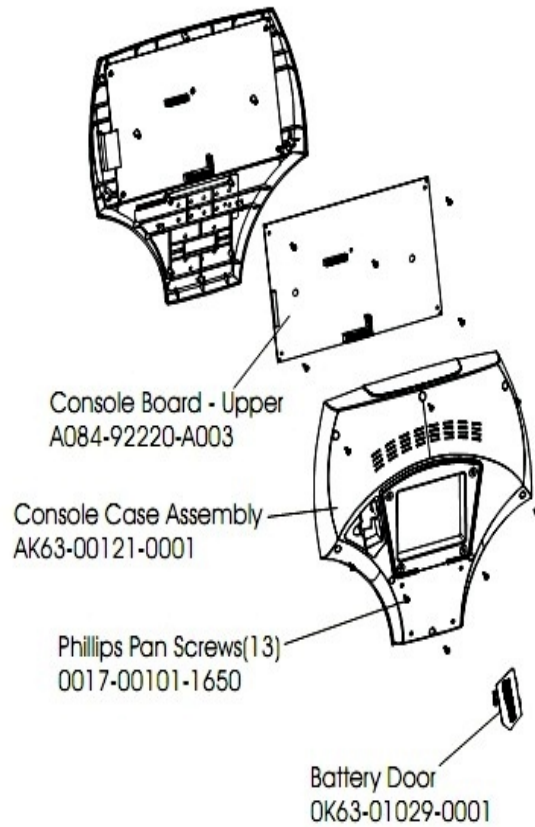
Ref #	Part Number	Qty	Description
-	AK47-00031-0001	1	Power Control Cable
-	AK47-00026-0000	1	Upper Console Cable
-	0017-00003-0685	1	6V Battery
-	AK47-00028-0000	1	Lifepulse Cable
-	AK47-00029-0000	1	Lifepulse Cable

Clutch, Shaft and Pulley Assembly



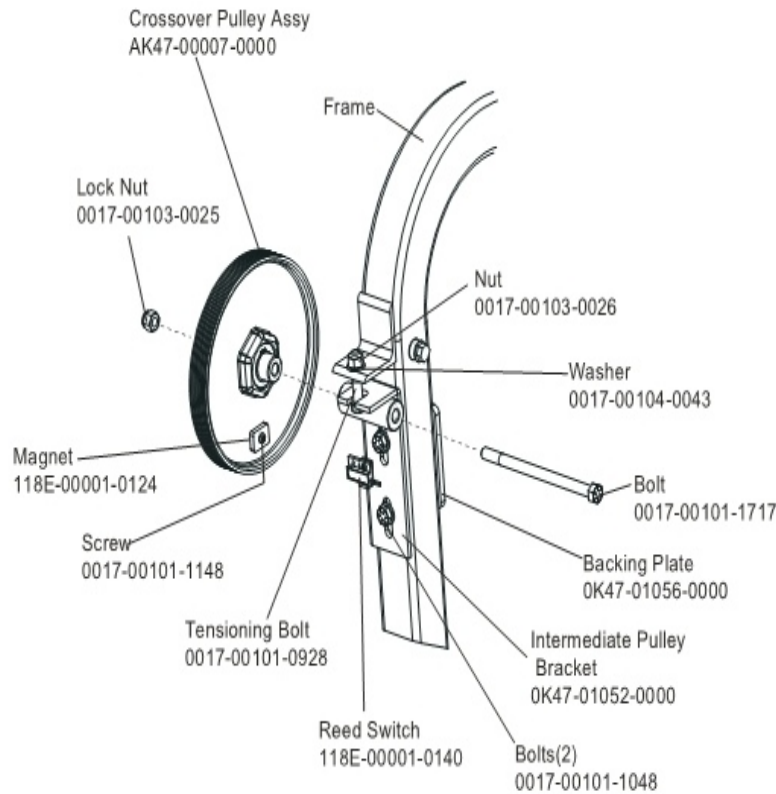
Ref #	Part Number	Qty	Description
-	0017-00100-0107	1	Hardware: E-Ring 1"
-	OK47-01104-0000	3	Hardware: Thrust Washer
-	AK47-00043-0001	1	Right Clutch Sprocket Assembly
-	AK47-00006-0000	1	Clutchshaft Pulley Assembly
-	OK47-01105-0000	2	Hardware: Hardened Thrust Washer
-	GK47-00002-0036	1	KIT: STEPPER BELT AND PULLEY

Console and Related Components



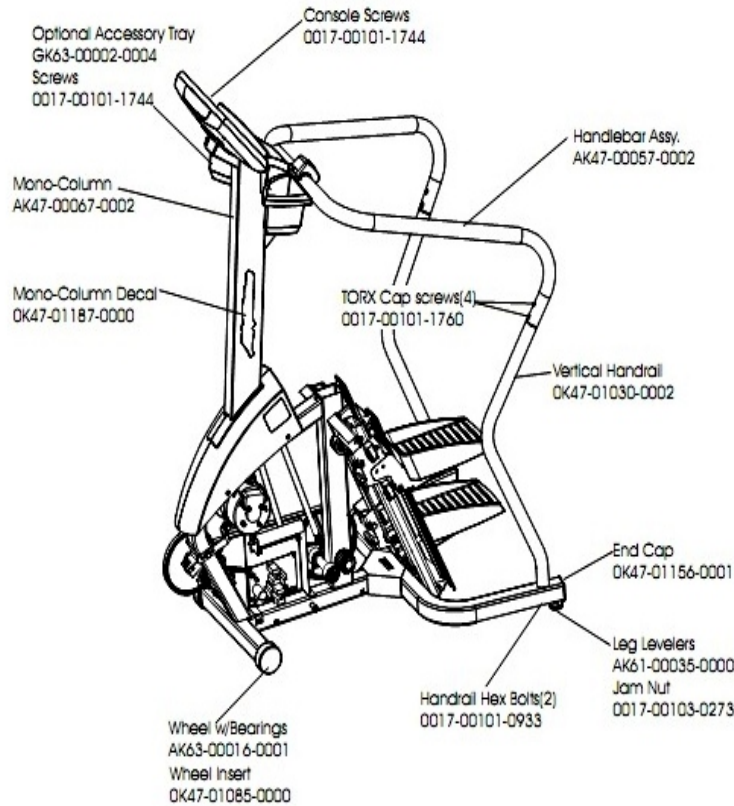
Ref #	Part Number	Qty	Description
-	AK47-00156-0007	1	Console Assembly French/Metric
-	AK63-00121-0001	1	Console Case Assembly
-	0017-00101-1650	13	Hardware: Phillips Pan Screw 0.375"
-	OK63-01029-0001	1	Battery Door
-	AK47-00100-0007	1	Overlay/Bezel/Switch Assembly French/Metric
-	A084-92219-A024	1	Console Board - Upper

Crossover Pulley Assembly



Ref #	Part Number	Qty	Description
-	AK47-00007-0000	1	Crossover Pulley Assembly
-	0017-00101-1148	1	Hardware: Phillips Pan Bolt 0.75"
-	118E-00001-0140	1	Reed Switch SPDT
-	0017-00101-1717	1	Hardware: Bolt 6"
-	0017-00104-0043	1	Hardware: Flat Washer 0.734" OD
-	0017-00101-1048	2	Hardware: Bolt 3"
-	0017-00103-0026	1	Hardware: Hex Nut 3/8" ID
-	118E-00001-0124	1	Auto-Start Magnet
-	OK47-01056-0000	1	Plate
-	0017-00103-0025	1	Hardware: Locking Nut 3/8" ID
-	0017-00101-0928	1	Hardware: Tensioning Bolt 1.75"
-	OK47-01052-0000	1	Intermediate Pulley Bracket

Frame Components

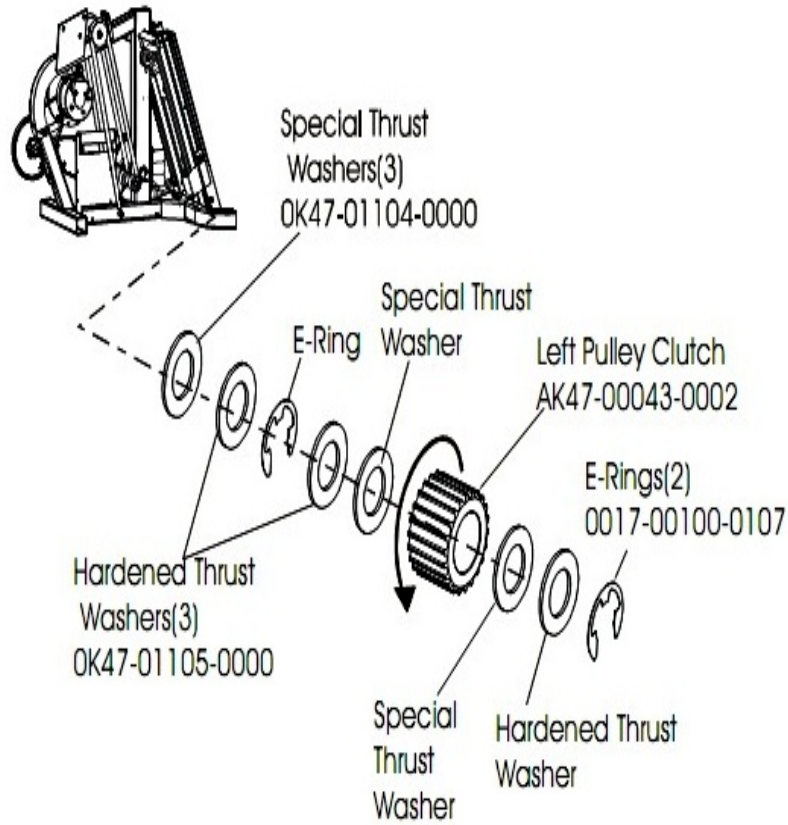


Ref #	Part Number	Qty	Description
-	OK47-01085-0000	2	Wheel Insert
-	OK47-01030-0002	2	Vertical Handrail
-	AK61-00035-0000	2	Leg Leveler
-	AK63-00016-0001	2	Wheel/Bearing Assembly
-	AK47-00110-0001	1	Bullhorn with HR - Right
-	AK47-00110-0002	1	Bullhorn with HR - Left
-	AK47-00198-0000	1	Handle Bar
-	GK63-00002-0004	1	Accessory Tray
-	OK47-01156-0001	2	End Cap
-	0017-00101-0933	4	Hardware: Handlebar Hex Screws 1.5"
-	GK63-00002-0063	1	Console English NTSC with FM
-	0017-00101-1760	8	Hardware: TORX Cap Screw 0.625"
-	AK63-00016-0000	2	Wheel/Bearing Assembly
-	0017-00101-1744	10	Hardware: Phillips Pan Screw
-	0017-00103-0273	2	Hardware: Hex Nut 3/8" ID
-	AK47-00159-0000	1	Mono-Column with Decal

Guide Rollers

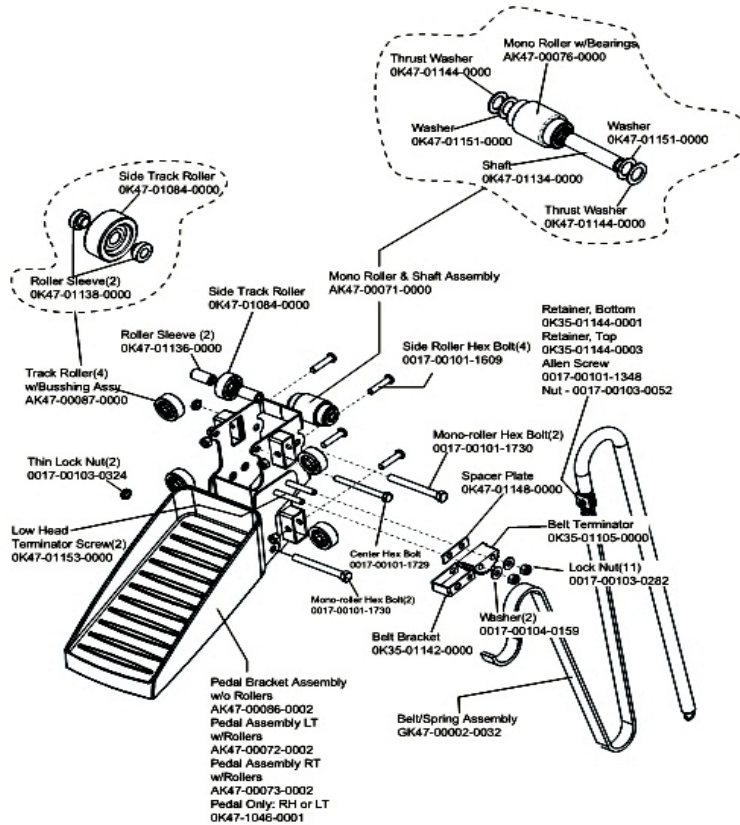
Ref #	Part Number	Qty	Description
-	0K47-01154-0000	1	Spring Pulley Shaft
-	0K47-01066-0000	2	Return Spring Pulley
-	0017-00101-1048	1	Hardware: Bolt 3"
-	AK63-00008-0000	2	Idler w/Bearing
-	0017-00103-0025	2	Hardware: Locking Nut 3/8" ID
-	0017-00009-1147	2	Belt Idler Pulley
-	0017-00100-0050	6	Hardware: E-Ring .5"
-	0017-00101-1098	2	Hardware: Bolt 1.5"
-	0017-00101-1722	1	Hardware: Bolt 5"

Left Clutch Assembly



Ref #	Part Number	Qty	Description
-	AK47-00043-0002	1	Left Clutch Sprocket Assembly
-	OK47-01105-0000	3	Hardware: Hardened Thrust Washer
-	0017-00100-0107	2	Hardware: E-Ring 1"
-	OK47-01104-0000	3	Hardware: Thrust Washer

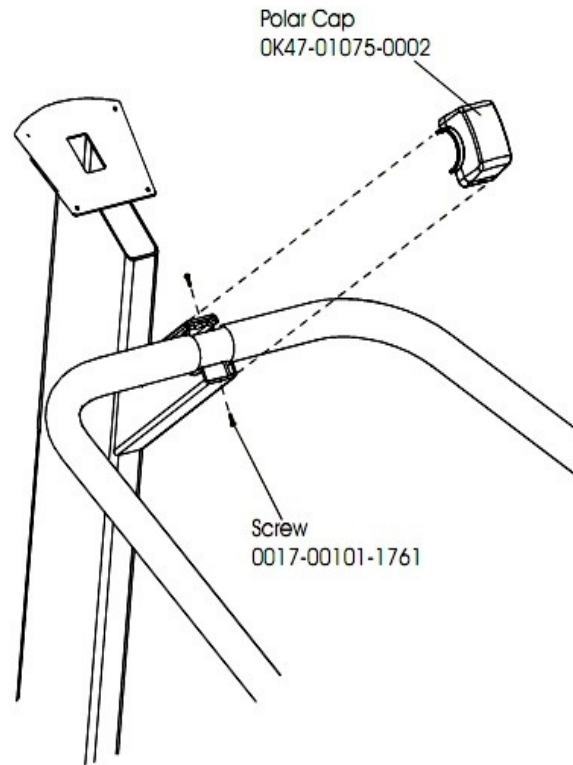
Pedal Assembly



Ref #	Part Number	Qty	Description
-	0017-00101-1348	2	Hardware: Allen Screw 0.875"
-	AK47-00086-0002	2	Pedal Bracket Assembly without Rollers
-	GK47-00002-0032	2	Belt/Spring Assembly
-	0017-00103-0324	6	Hardware: Thin Lock Nut 3/8" ID
-	OK35-01105-0000	2	Hardware: Belt Terminator
-	OK35-01144-0003	2	Retainer: Belt; Top
-	AK47-00073-0002	1	Pedal Assembly with Rollers - Right
-	AK47-00087-0000	8	Side-Roller with Bushing Assembly
-	OK47-01134-0000	2	Roller Shaft
-	AK47-00071-0000	4	Mono Roller and Shaft Assembly
-	OK47-01151-0000	4	Hardware: Hardened Thrust Washer
-	OK47-01046-0001	2	Pedal Only: RH or LT
-	OK35-01144-0001	2	Retainer: Belt; Bottom
-	OK35-01142-0000	2	Hardware: Bracket
-	AK47-00076-0000	2	Mono-Rollers w/Bearings
-	OK47-01144-0000	4	Hardware: Thrust Washer
-	OK47-01153-0000	4	Hardware: Screw
-	OK47-01136-0000	4	Roller Sleeve
-	OK47-01138-0000	4	Roller Sleeve
-	0017-00104-0159	4	Hardware: Flat Washer 0.75" OD
-	0017-00101-1609	8	Hardware: Side Roller Hex Bolt 1.5"
-	0017-00101-1729	2	Hardware: Center Hex Bolt 3.5"

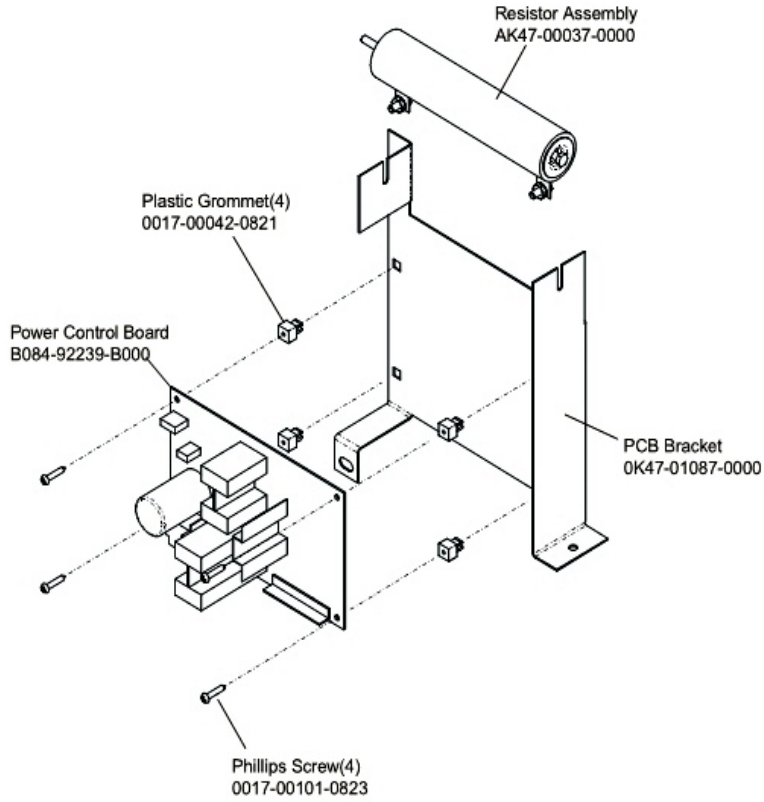
Ref #	Part Number	Qty	Description
-	0017-00101-1730	8	Hardware: Mono-roller Hex Bolt 3.5"
-	0017-00103-0052	2	Hardware: Locking Nut ID
-	0017-00103-0282	2	Hardware: Locking Nut 5/16" ID
-	AK47-00072-0002	1	Pedal Assembly with Rollers - Left
-	OK47-01148-0000	4	Hardware: Spacer Plate
-	OK47-01084-0000	4	Side Track Roller

Polar Cap



Ref #	Part Number	Qty	Description
-	0K47-01075-0001	1	Cap: Polar; Stealth; S/C-C
-	0017-00101-1761	2	Hardware: Phillips Pan Screw 0.375"

Power Control Board and Resistor

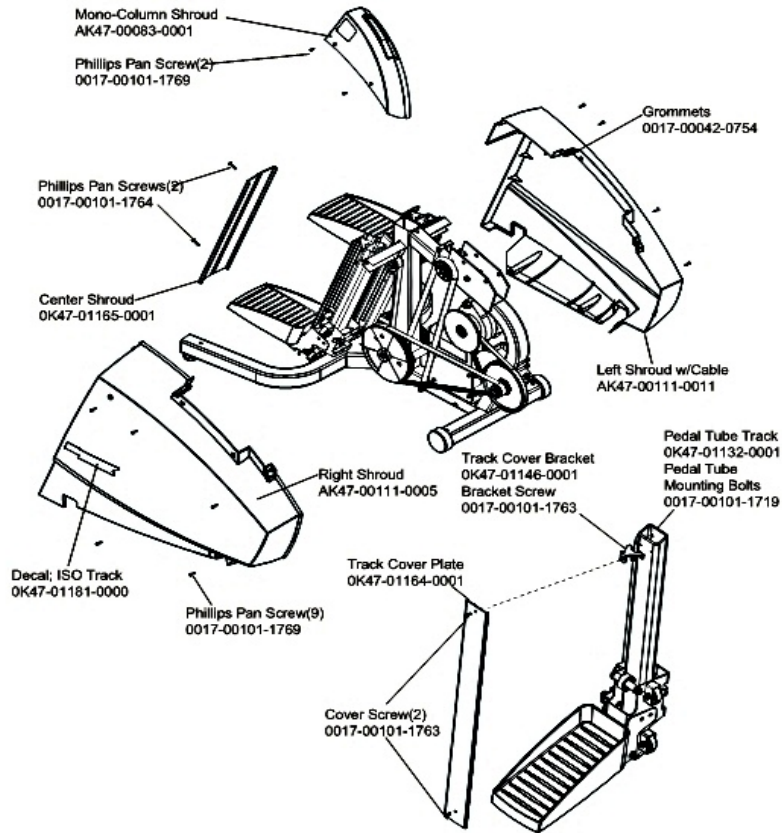


Ref #	Part Number	Qty	Description
-	0017-00101-0823	4	Hardware: Screw 0.75"
-	AK47-00037-0000	1	Resistor Assembly
-	OK47-01087-0000	1	PCB Bracket
-	B084-92239-0000	1	PCB
-	0017-00042-0821	4	Hardware: Plastic Grommet

References

Ref #	Part Number	Qty	Description
-	0017-00021-2846	1	F-Type Panel Connector
-	0017-00008-0205	1	5 oz Bottle - Arctic Silver
-	AK47-00165-0000	1	Hardware Bag
-	0017-00008-0204	1	Paint Spray Can - Arctic Silver
-	AK32-00078-0001	1	Power Extension Cable: 120"
-	AK32-00020-0002	1	Coax Cable: 120"
-	GK47-00002-0003	1	Telemetry Kit
-	AK47-00164-0001	1	Parts Bag
-	0017-00008-0206	1	.33oz Pen - Arctic Silver
-	OK47-01197-0001	1	Cable Mounting Plate
-	AK47-00122-0001	1	Access Panel Assembly

Shrouds and Pedal Tube



Ref #	Part Number	Qty	Description
-	0K47-01146-0001	2	Track Cover Bracket
-	0K47-01181-0000	2	Decal
-	AK47-00083-0001	1	Mono-Column Shroud
-	0017-00101-1764	2	Hardware: Phillips Pan Screw 1"
-	0017-00101-1719	2	Hardware: Pedal Tube Mounting Bolt 0.75"
-	0K47-01165-0001	1	Center Shroud
-	0K47-01164-0001	1	Track Cover
-	0017-00101-1769	11	Hardware: Phillips Pan Screw 0.75"
-	AK47-00111-0005	1	Shroud with Decal - Right
-	AK47-00111-0011	1	Shroud with Decal and Cable- Left
-	0017-00101-1763	5	Hardware: Phillips Pan Screw 0.375"
-	0K47-01132-0001	2	Pedal Tube
-	0017-00042-0754	8	Hardware: Grommet

