

90T Treadmill - 3HP DC - Arctic Silver

90T-0100-02

Parts Manual

1/5/2019 6:25:19 AM

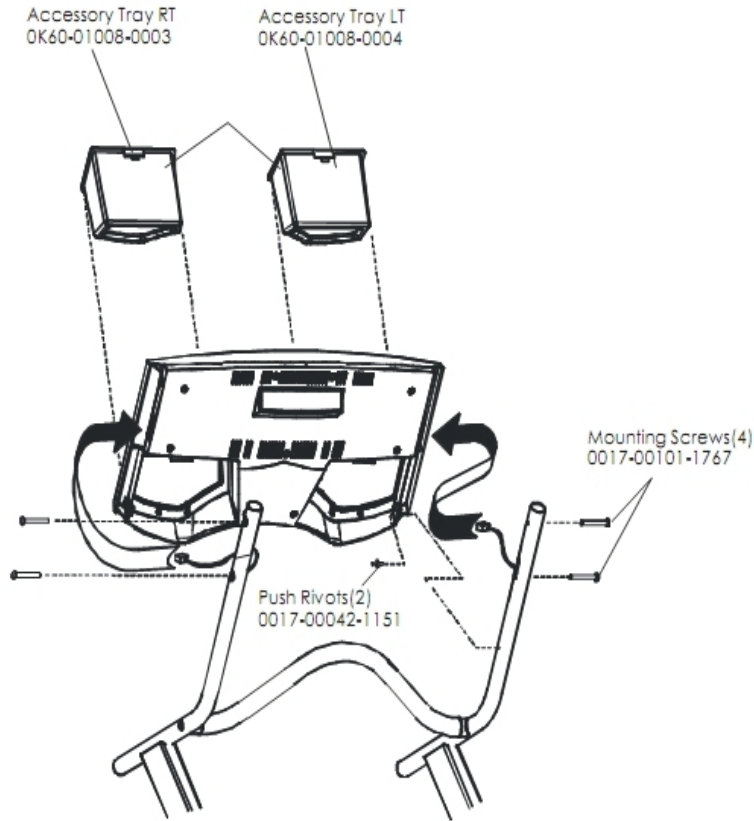


LifeFitness
WHAT WE LIVE FOR

Table of Contents

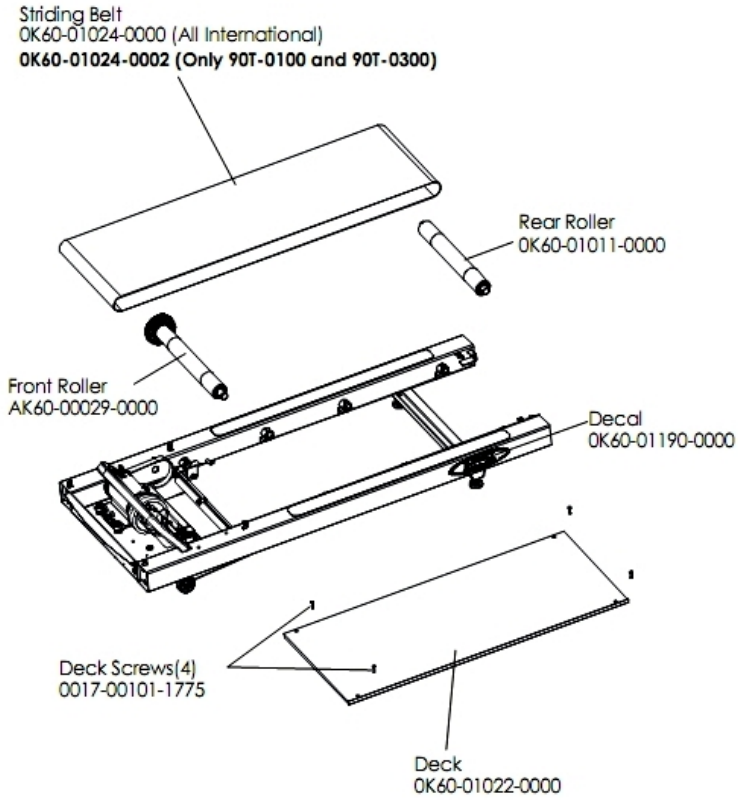
Accessory Trays	3
Belt, Deck and Rear Rollers	4
Cables	5
Console Assembly 1	6
Console Assembly 2	7
Console Assembly 3	8
Drive Motor Assembly	9
DC Controller and On/Off Switch	10
Ergo Bar and Upright Assembly	11
Lifesprings and Anti-Static Tinsel	12
Lift Frame Assembly	13
Lift Motor and Home Switch	14
Line Cord and Line Filter	15
Miscellaneous	16
Motor Cover, Leveler and End Caps	17
Rear Roller Guards	18
Sensor and Sensor Wheel Assembly	19
Wax Motor, Wax Bag, Wax Nozzle and Bracket	20

Accessory Trays



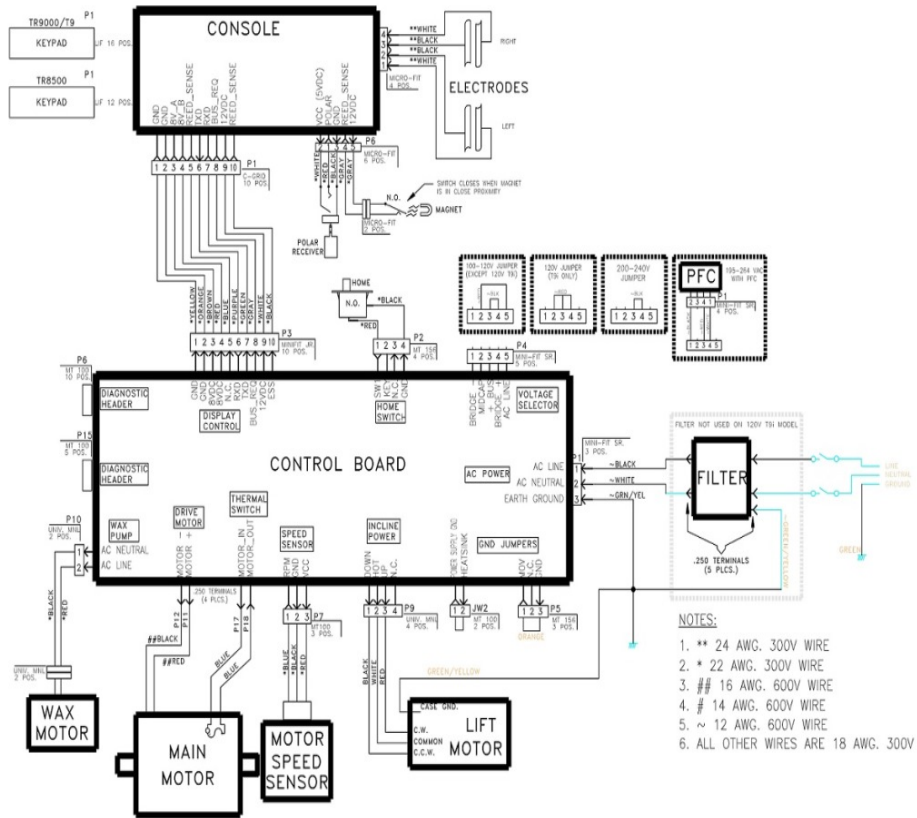
Ref #	Part Number	Qty	Description
-	0017-00042-1151	2	Push Rivets
-	0017-00101-1767	4	Hardware: Mounting Screws(4)
-	0K60-01008-0003	1	Accessory Tray Right
-	0K60-01008-0004	1	Accessory Tray Left

Belt, Deck and Rear Rollers



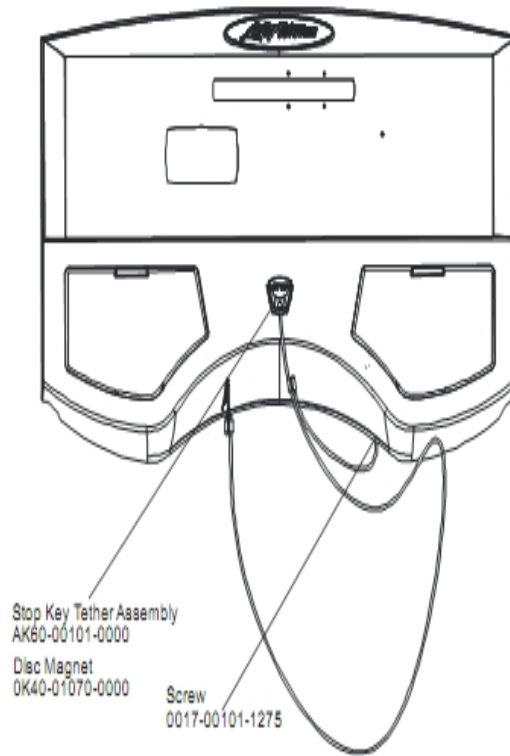
Ref #	Part Number	Qty	Description
-	0017-00101-1775	4	Hardware: Deck Screws 1.25"
-	OK60-01022-0000	1	Deck
-	OK60-01190-0000	1	Decal
-	AK60-00029-0000	1	Front Roller Assembly
-	OK60-01011-0000	1	Rear Roller
-	OK60-01024-0002	1	Striding Belt

Cables



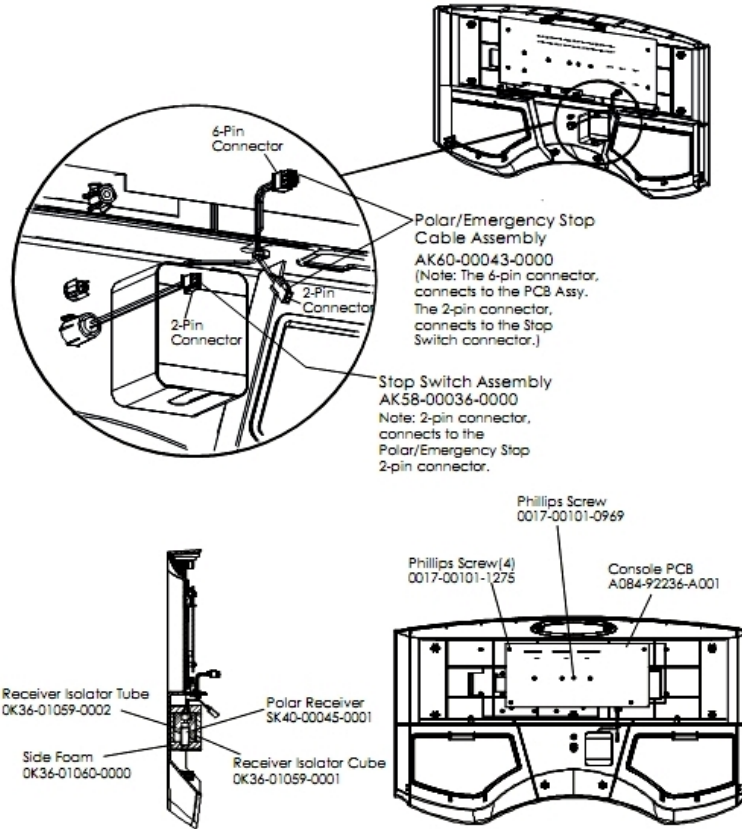
Ref #	Part Number	Qty	Description
-	AK60-00038-0000	1	Home Switch Cable
-	AK26-00348-0000	1	Cable: Jumper; Ground
-	AK60-00041-0000	1	Wax Pump Cable
-	AK60-00037-0000	1	Console Cable
-	AK26-00347-0000	1	Cable Assembly - White
-	AK26-00346-0000	1	Cable Assembly - Black
-	AK60-00103-0000	1	Power Controller Cable: 120V

Console Assembly 1



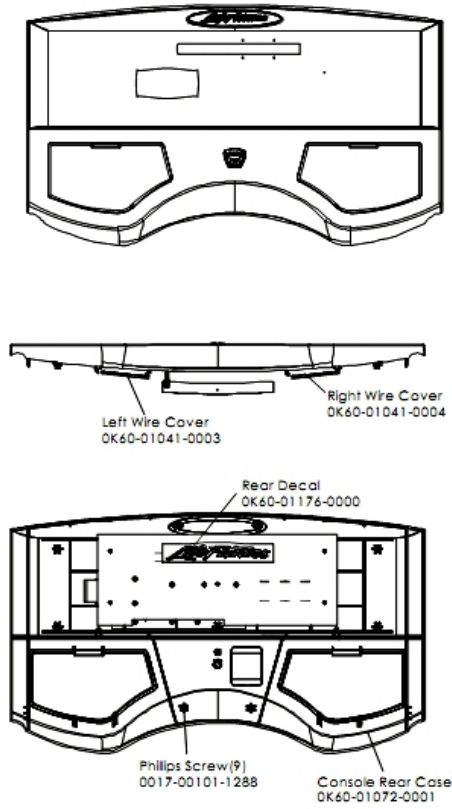
Ref #	Part Number	Qty	Description
-	AK60-00101-0000	1	Stop Key Tether Assembly
-	OK40-01070-0000	1	Magnetic Disk
-	AK60-00112-0001	1	Console: English/Metric
-	AK60-00109-0001	1	Overlay/Bezel: English/Metric
-	0017-00101-1275	1	Hardware: Phillips Screw 0.375"

Console Assembly 2



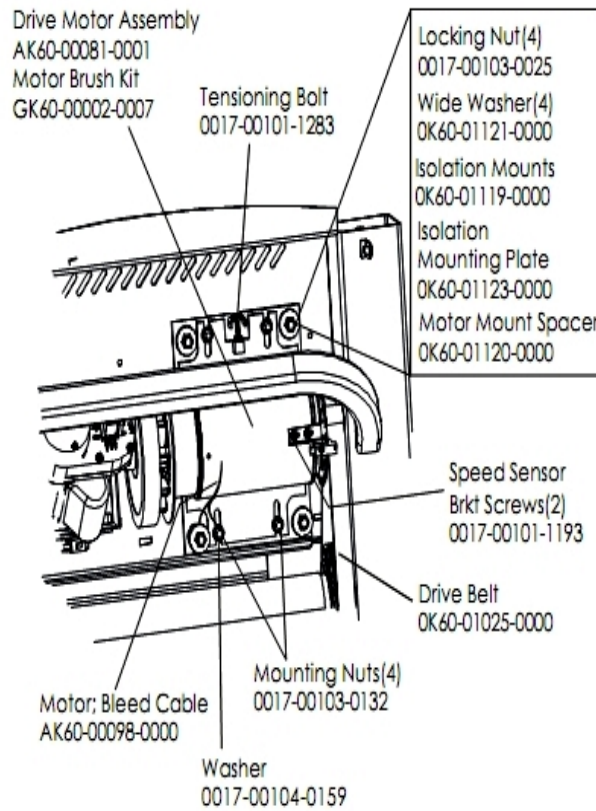
Ref #	Part Number	Qty	Description
-	OK36-01059-0001	1	Isolator Receiver Cube
-	A084-92236-A001	1	Console PCB
-	0017-00101-1275	4	Hardware: Phillips Screw 0.375"
-	0017-00101-0969	1	Hardware: Phillips Screw
-	SK40-00045-0001	1	Polar HR Kit
-	OK36-01059-0002	1	Insulator Receiver Tube
-	AK58-00036-0000	1	Cable-Assembly: Emergency-Stop Switch
-	AK60-00043-0000	1	Polar E-Stop Cable
-	OK36-01060-0000	1	Side Foam

Console Assembly 3



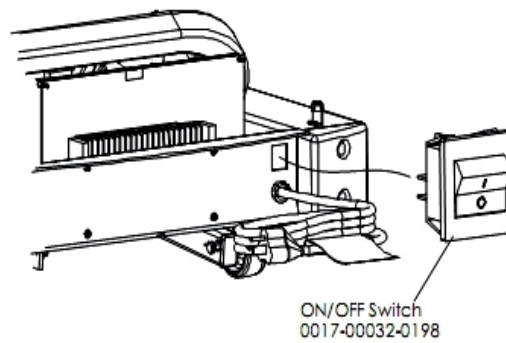
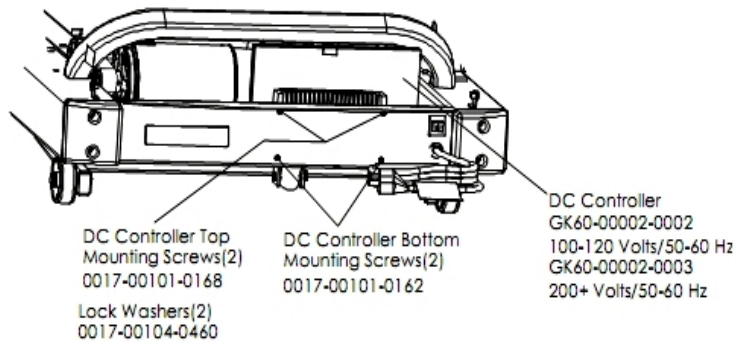
Ref #	Part Number	Qty	Description
-	OK60-01041-0004	1	Right Wire Cover
-	OK60-01072-0001	1	Console Rear Case
-	0017-00101-1288	9	Hardware: Phillips Screw 0.5"
-	OK60-01176-0000	1	Rear Decal
-	OK60-01041-0003	1	Left Wire Cover

Drive Motor Assembly



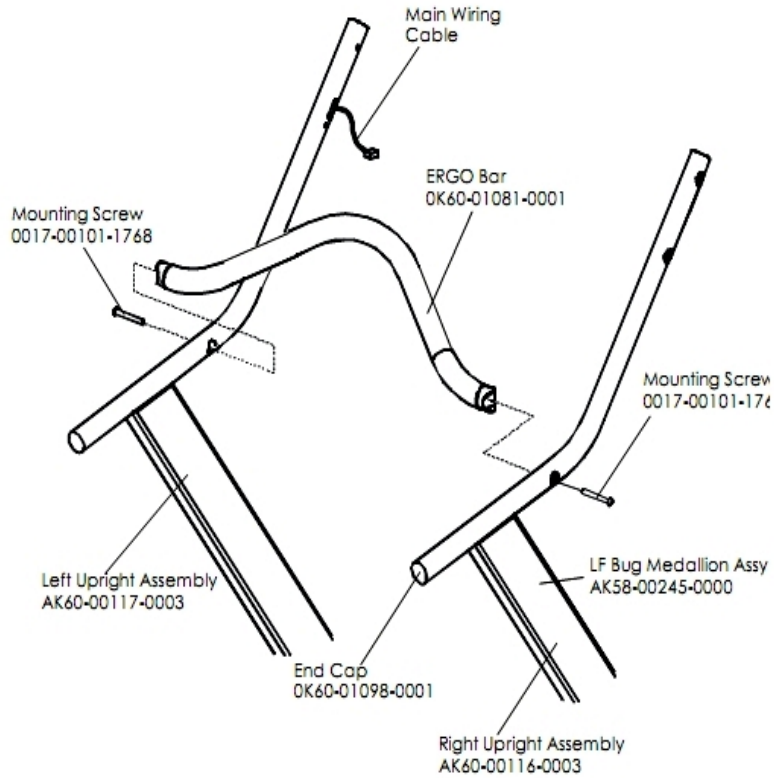
Ref #	Part Number	Qty	Description
-	0017-00101-1283	1	Hardware: Tensioning Bolt
-	OK60-01123-0000	1	Isolation Mounting Plate
-	AK60-00081-0001	1	Drive Motor Assembly
-	GK60-00002-0007	1	Motor Brush Kit
-	0017-00103-0025	4	Hardware: Locking Nut 3/8" ID
-	0017-00103-0132	4	Hardware: Mounting Nut
-	OK60-01120-0000	1	Motor Mount Spacer
-	GK60-00002-0015	1	Kit: Activate Treadmill Belt And Pulley
-	0017-00104-0159	1	Hardware: Flat Washer 0.75" OD
-	AK60-00098-0000	1	Current Limit Wires
-	OK60-01121-0000	4	Hardware: Washer
-	OK60-01119-0000	1	Isolator Mount
-	0017-00101-1193	2	Hardware: Screw 0.375"

DC Controller and On/Off Switch



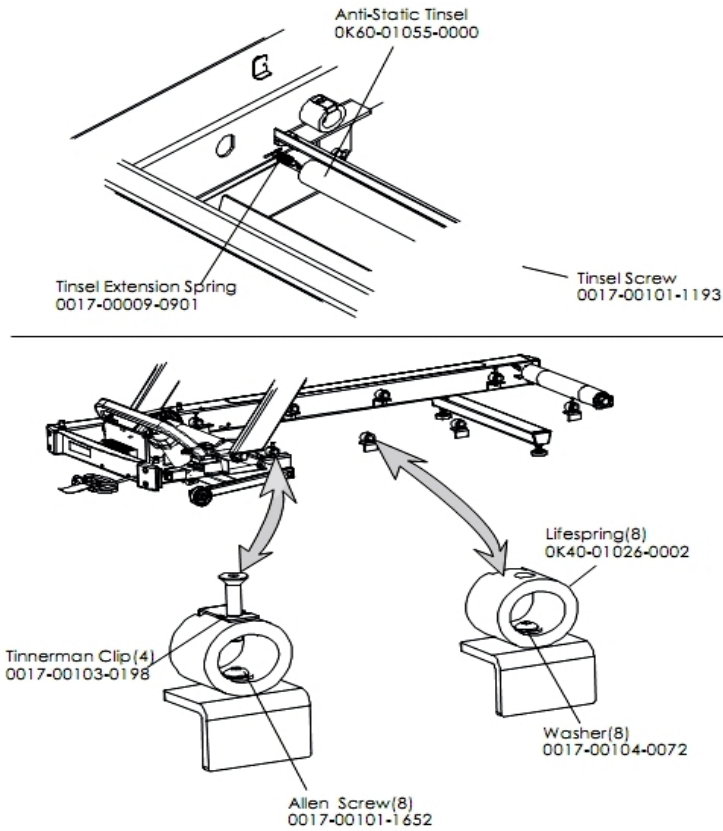
Ref #	Part Number	Qty	Description
-	0017-00032-0198	1	On/Off Switch 22A
-	0017-00101-0168	2	Hardware: DC Controller Mounting Screws
-	0017-00104-0460	2	Hardware: Lockwasher 0.562" OD
-	GK60-00002-0002	1	DC Controller (100-120 Volts)
-	0017-00101-0162	2	Hardware: Screw 0.375"

Ergo Bar and Upright Assembly



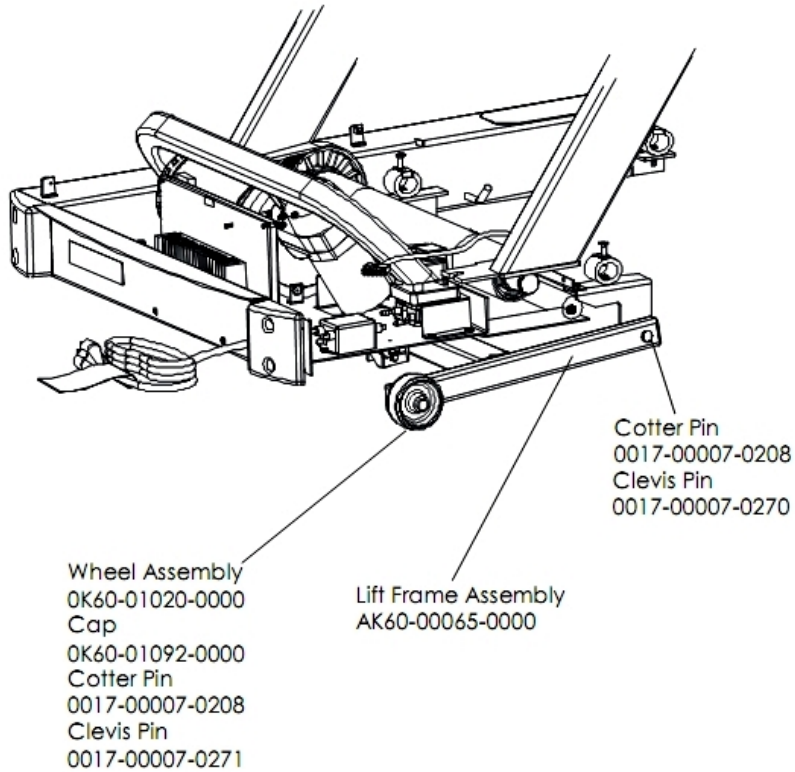
Ref #	Part Number	Qty	Description
-	OK60-01081-0001	1	Ergo Bar
-	AK60-00117-0003	1	Upright Assembly: Left
-	OK60-01098-0001	4	End Cap
-	0017-00101-1768	2	Hardware: Mounting Screw
-	AK60-00116-0003	1	Upright Assembly: Right
-	AK58-00245-0000	1	Bug Medallion

Lifesprings and Anti-Static Tinsel



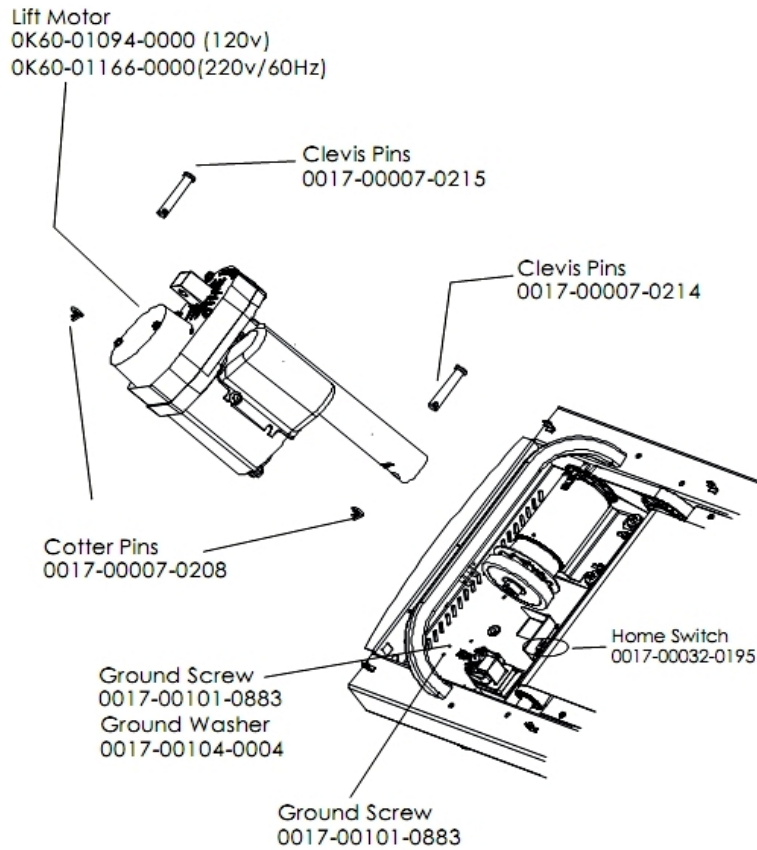
Ref #	Part Number	Qty	Description
-	OK60-01055-0000	1	Anti-Static Tinsel
-	OK40-01026-0002	8	Deck Spring
-	0017-00101-1193	1	Hardware: Screw 0.375"
-	0017-00103-0198	4	Hardware: Tinnerman Clip 1/4" ID
-	0017-00101-1652	8	Hardware: Spring Mounting Screw 1"
-	0017-00104-0072	8	Hardware: Flat Washer 0.562" OD
-	0017-00009-0901	1	Tinsel Extension Spring

Lift Frame Assembly



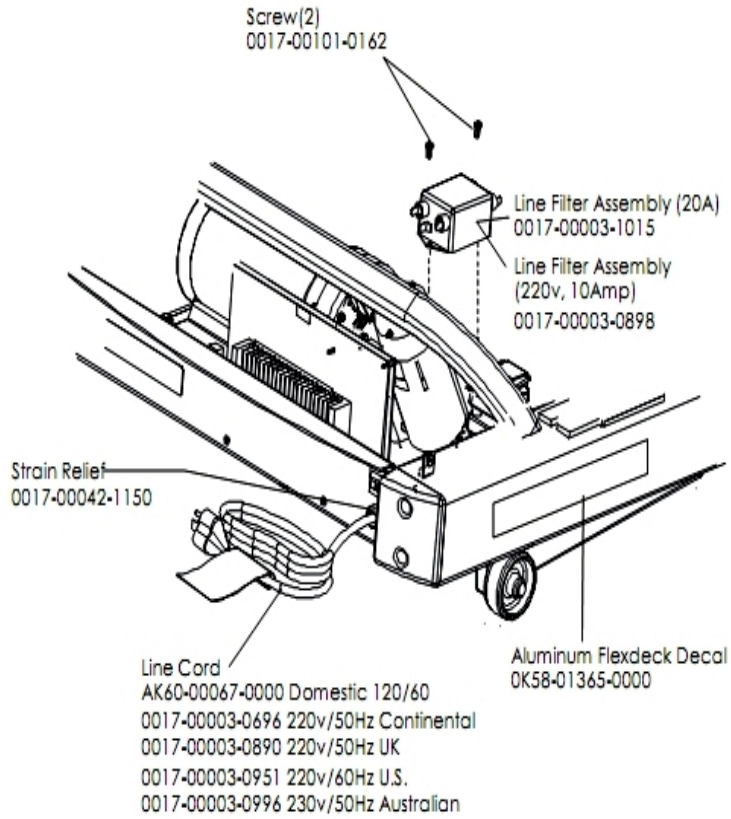
Ref #	Part Number	Qty	Description
-	6836601	2	Cap, End 1 X 1-1/2 11 GA
-	AK60-00065-0000	1	Lift Frame Assembly
-	0017-00007-0270	2	Hardware: Clevis Pin - 1/2" D 1.5" L
-	0017-00007-0208	4	Hardware: Cotter Pin
-	0K60-01020-0000	2	Wheel
-	0017-00007-0271	2	Hardware: Clevis Pin - 1/2" D 2.75" L

Lift Motor and Home Switch



Ref #	Part Number	Qty	Description
-	0017-00101-0883	2	Hardware: Screw 0.375"
-	0017-00007-0208	2	Hardware: Cotter Pin
-	0017-00032-0195	1	Home Switch
-	0017-00104-0004	1	Hardware: Washer
-	0017-00007-0214	1	Hardware: Clevis Pin 3/8" D 1.75" L
-	OK60-01094-0000	1	Motor: Lift DOM 100V-120V
-	0017-00007-0215	1	Hardware: Clevis Pin - 3/8" D 2.25" L

Line Cord and Line Filter

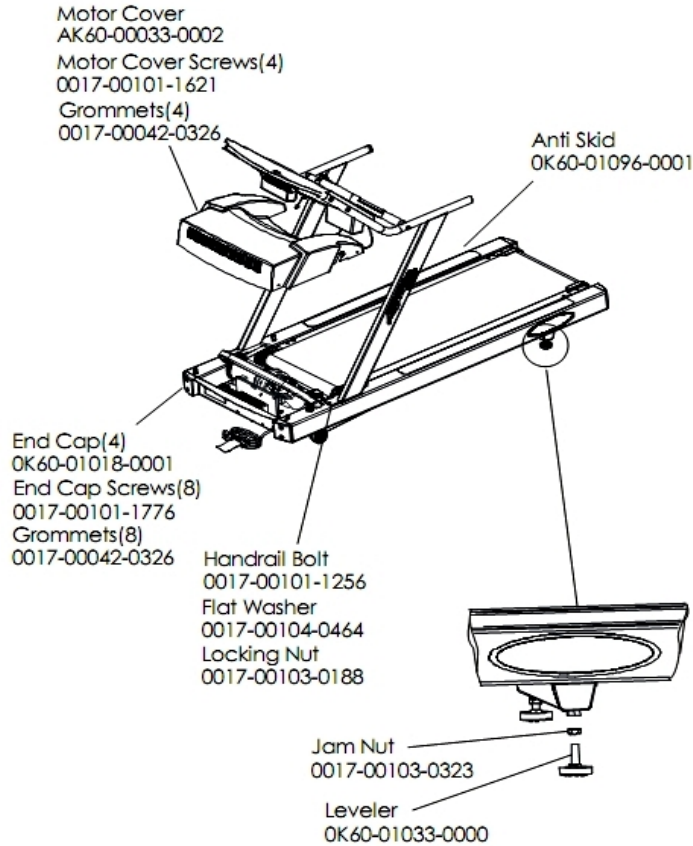


Ref #	Part Number	Qty	Description
-	0017-00003-1015	1	20 amp Line Filter (DOM)
-	OK58-01365-0000	1	Decal
-	0017-00101-0162	2	Hardware: Screw 0.375"
-	0017-00042-1150	1	Strain Relief
-	AK60-00067-0000	1	Line Cord: US; 120/60

Miscellaneous

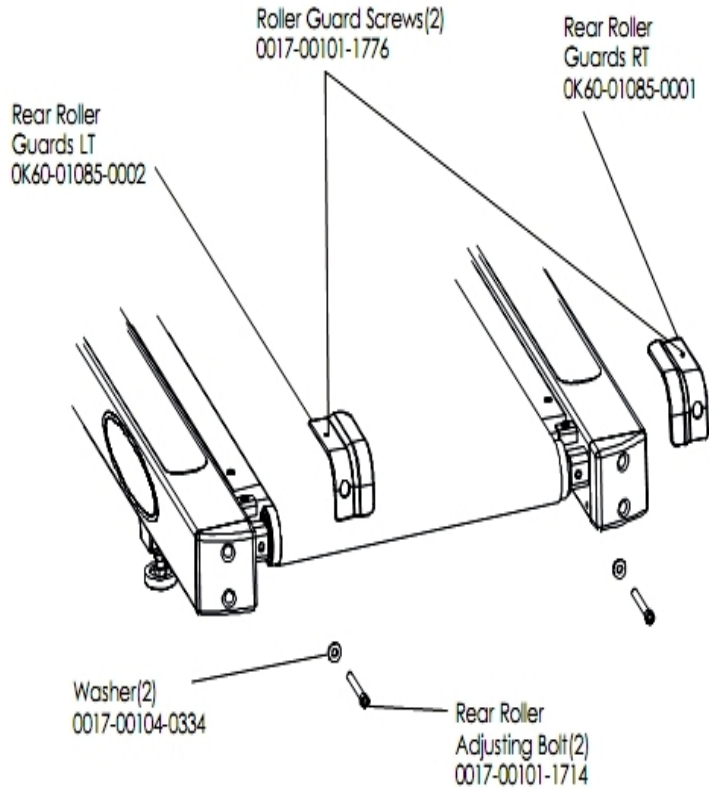
Ref #	Part Number	Qty	Description
-	0017-00008-0205	1	5 oz Bottle - Arctic Silver
-	0017-00101-1256	4	Hardware: Mounting Bolt 5"
-	0017-00042-1151	5	Push Rivets
-	0017-00008-0204	1	Paint Spray Can - Arctic Silver
-	AK60-00054-0002	1	Hardware Bag
-	0017-00103-0188	4	Hardware: Flange Lock Nut 3/8" ID
-	0017-00101-1768	2	Hardware: Mounting Screw
-	0017-00008-0206	1	.33oz Pen - Arctic Silver
-	0017-00104-0464	4	Hardware: Flat Washer 0.734" OD
-	0017-00101-1767	4	Hardware: Mounting Screws(4)
-	0017-00101-1776	10	Hardware: Mounting Screw 0.5"
-	0K60-01098-0001	4	End Cap

Motor Cover, Leveler and End Caps



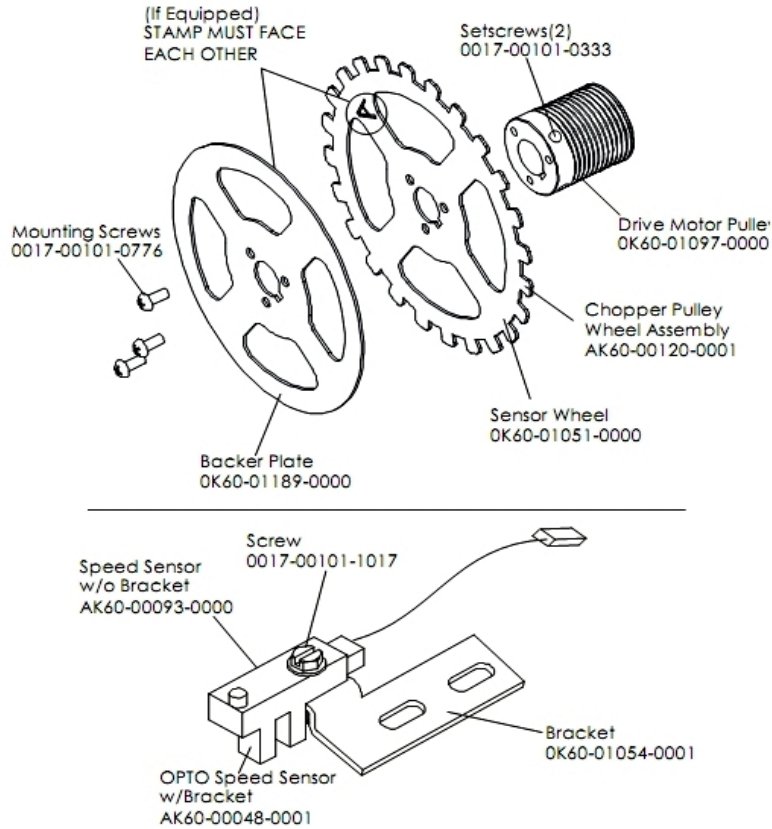
Ref #	Part Number	Qty	Description
-	0017-00103-0188	1	Hardware: Flange Lock Nut 3/8" ID
-	OK60-01033-0000	2	Leg Leveler
-	0017-00101-1776	8	Hardware: Mounting Screw 0.5"
-	0017-00104-0464	2	Hardware: Flat Washer 0.734" OD
-	OK60-01018-0001	4	End Cap
-	AK60-00033-0002	1	Motor Cover
-	0017-00103-0323	2	Hardware: Nut 1/2" ID
-	0017-00101-1621	4	Hardware: Phillips Screw 0.5"
-	0017-00101-1256	2	Hardware: Mounting Bolt 5"
-	OK60-01096-0001	2	Anti Skid
-	0017-00042-0326	12	Hardware: Plastic Grommet

Rear Roller Guards



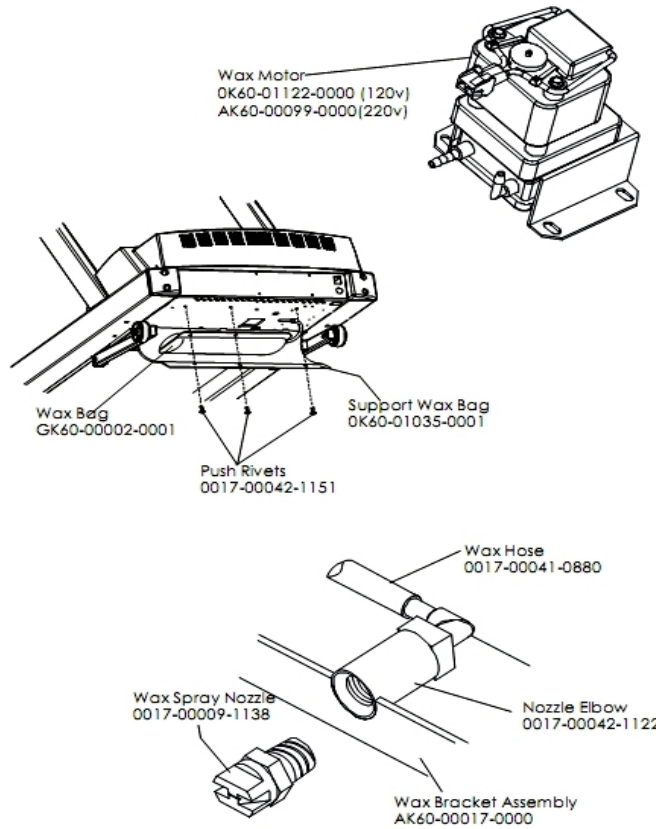
Ref #	Part Number	Qty	Description
-	0017-00101-1779	2	Hardware: Rear Roller Adjusting Bolt
-	OK60-01085-0002	1	Roller Guard: Left
-	0017-00101-1776	2	Hardware: Mounting Screw 0.5"
-	0017-00104-0334	2	Hardware: Flat Washers 0.880" OD
-	OK60-01085-0001	1	Roller Guard: Right

Sensor and Sensor Wheel Assembly



Ref #	Part Number	Qty	Description
-	0017-00101-0776	3	Hardware: Mounting Screws
-	OK60-01054-0001	1	Bracket
-	OK60-01097-0000	1	Drive Motor Pulley
-	OK60-01189-0000	1	Backer Plate
-	AK60-00120-0001	1	Chopper Pulley Wheel Assembly
-	AK60-00093-0000	1	Speed Sensor without Bracket
-	0017-00101-0333	2	Hardware: Screw 0.3125"
-	AK60-00048-0001	1	OPTO Speed Sensor with Bracket
-	OK60-01051-0000	1	Sensor Wheel
-	0017-00101-1017	1	Hardware: Leg Cover Screws

Wax Motor, Wax Bag, Wax Nozzle and Bracket



Ref #	Part Number	Qty	Description
-	0017-00042-1151	3	Push Rivets
-	0017-00041-0880	1	Wax Hose
-	OK60-01035-0001	1	Support Wax Bag
-	AK60-00017-0000	1	Wax Nozzle Assembly
-	GK60-00002-0001	1	Wax Bag
-	0017-00042-1122	1	Nozzle Elbow
-	OK60-01122-0000	1	Wax Motor (120v)
-	0017-00009-1138	1	Wax Spray Nozzle

