

90T Treadmill - English/Metric 120/60 (US)

90T-0100-05

Parts Manual

1/5/2019 6:25:19 AM

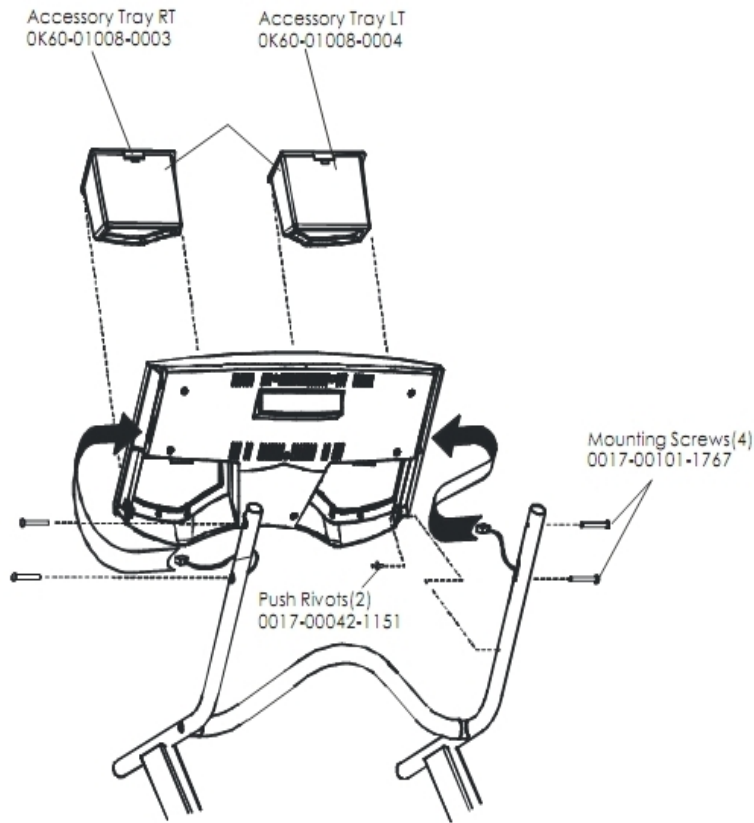


LifeFitness
WHAT WE LIVE FOR

Table of Contents

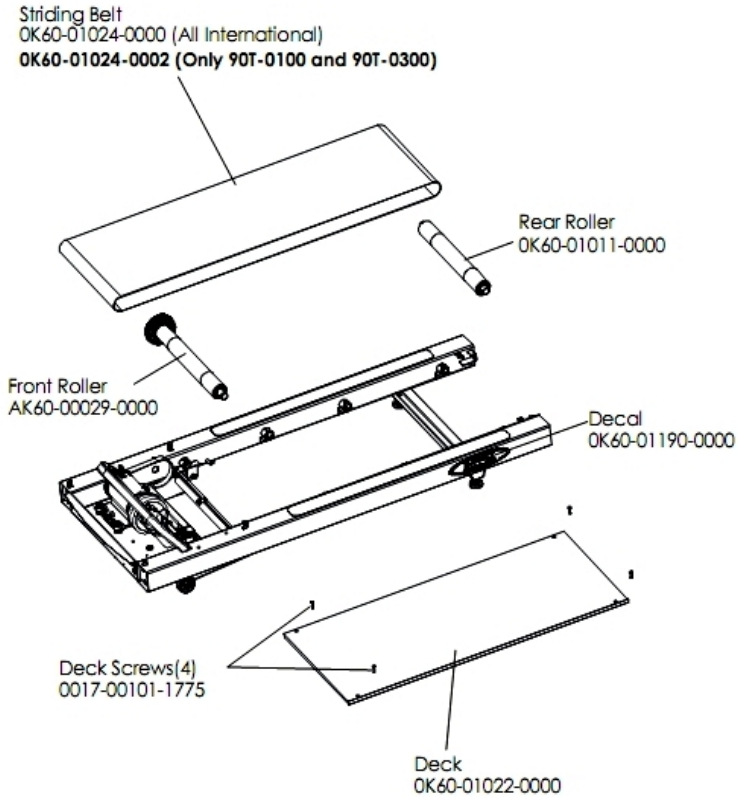
Accessory Trays	3
Belt, Deck and Rear Rollers	4
Cables	5
Console Assembly 1	6
Console Assembly 2	7
Console Assembly 3	8
Drive Motor Assembly	9
DC Controller and On/Off Switch	10
Ergo Bar and Upright Assembly	11
Lifesprings and Anti-Static Tinsel	12
Lift Frame Assembly	13
Lift Motor and Home Switch	14
Line Cord and Line Filter	15
Miscellaneous	16
Motor Cover, Leveler and End Caps	17
Rear Roller Guards	18
Sensor and Sensor Wheel Assembly	19
Wax Motor, Wax Bag, Wax Nozzle and Bracket	20

Accessory Trays



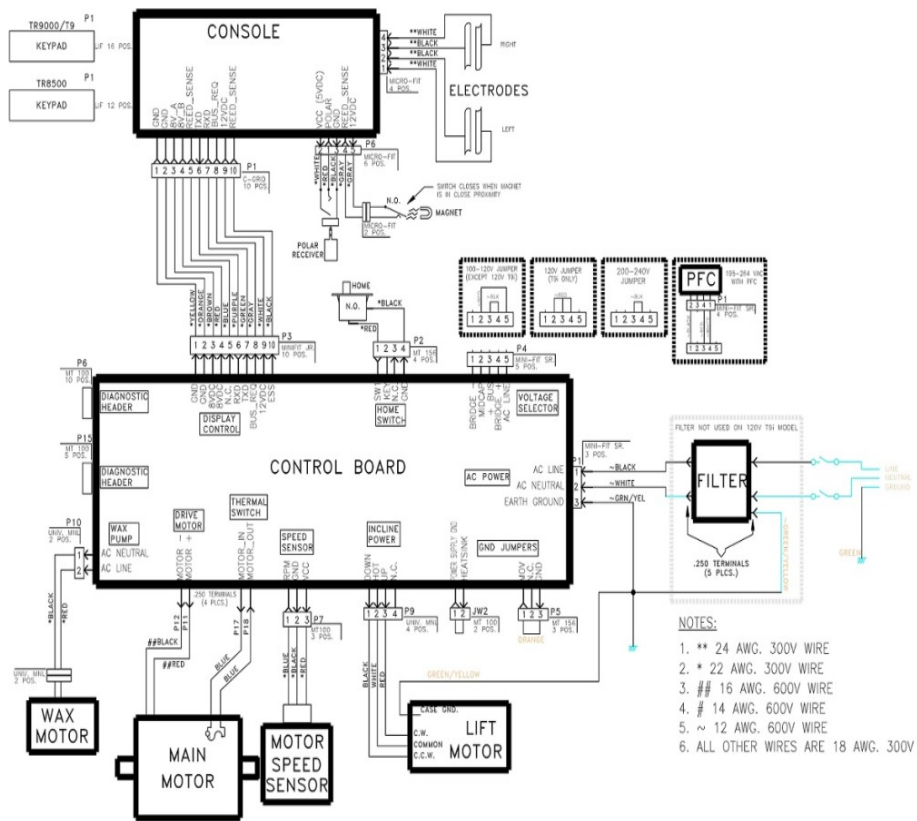
Ref #	Part Number	Qty	Description
-	0017-00042-1151	2	Push Rivets
-	0K60-01008-0003	1	Accessory Tray Right
-	0017-00101-1767	4	Hardware: Mounting Screws(4)
-	0K60-01008-0004	1	Accessory Tray Left

Belt, Deck and Rear Rollers



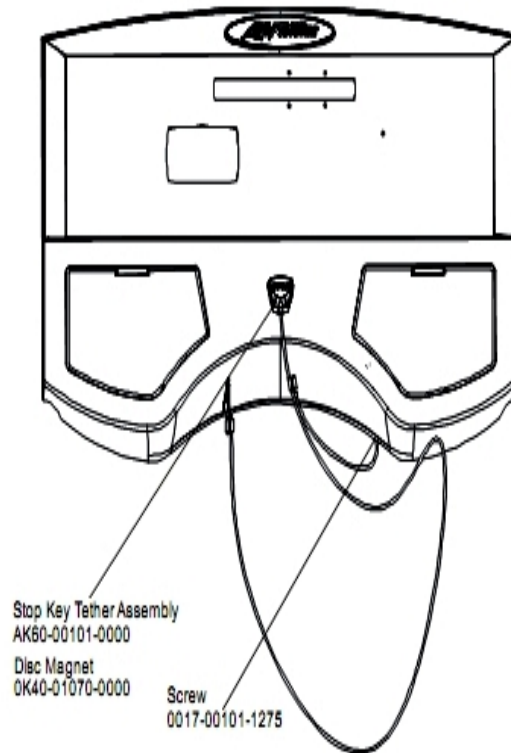
Ref #	Part Number	Qty	Description
-	0017-00101-1775	4	Hardware: Deck Screws 1.25"
-	OK60-01022-0000	1	Deck
-	OK60-01190-0000	1	Decal
-	OK60-01011-0000	1	Rear Roller
-	AK60-00029-0000	1	Front Roller Assembly
-	OK60-01024-0002	1	Striding Belt
-	OK60-01024-0000	1	Striding Belt

Cables



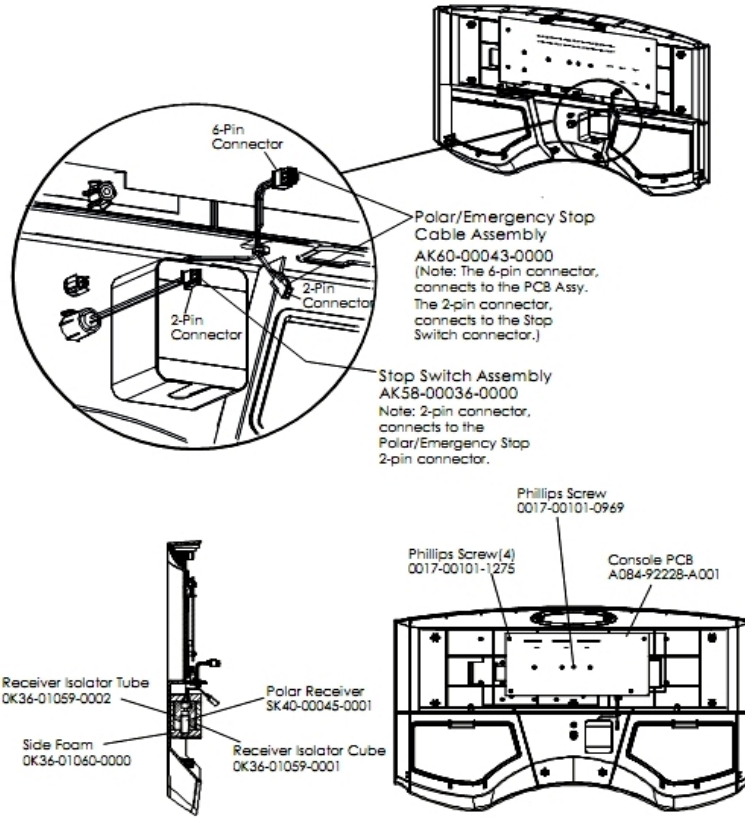
Ref #	Part Number	Qty	Description
-	AK60-00037-0000	1	Console Cable
-	AK26-00348-0000	1	Cable: Jumper; Ground
-	AK60-00103-0000	1	Power Controller Cable: 120V
-	AK26-00347-0000	1	Cable Assembly - White
-	AK26-00346-0000	1	Cable Assembly - Black
-	AK60-00041-0000	1	Wax Pump Cable
-	AK60-00038-0000	1	Home Switch Cable

Console Assembly 1



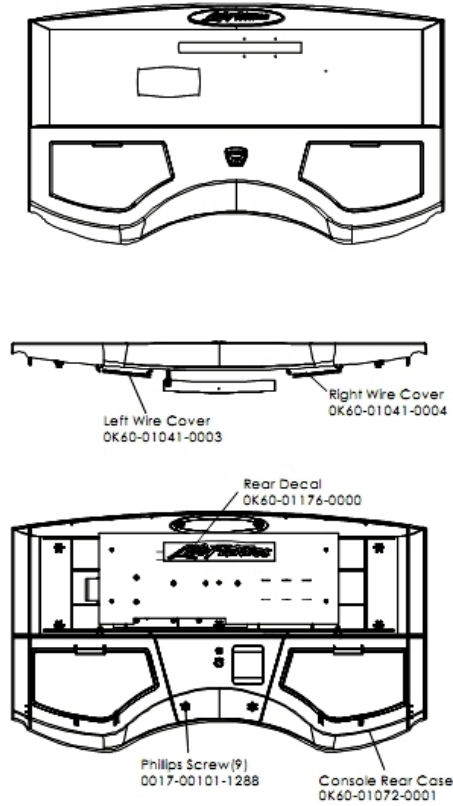
Ref #	Part Number	Qty	Description
-	0017-00101-1275	1	Hardware: Phillips Screw 0.375"
-	AK60-00214-0001	1	Console: English/Metric
-	AK60-00101-0000	1	Stop Key Tether Assembly
-	OK40-01070-0000	1	Magnetic Disk
-	AK60-00213-0001	1	Overlay/Bezel: English/Metric

Console Assembly 2



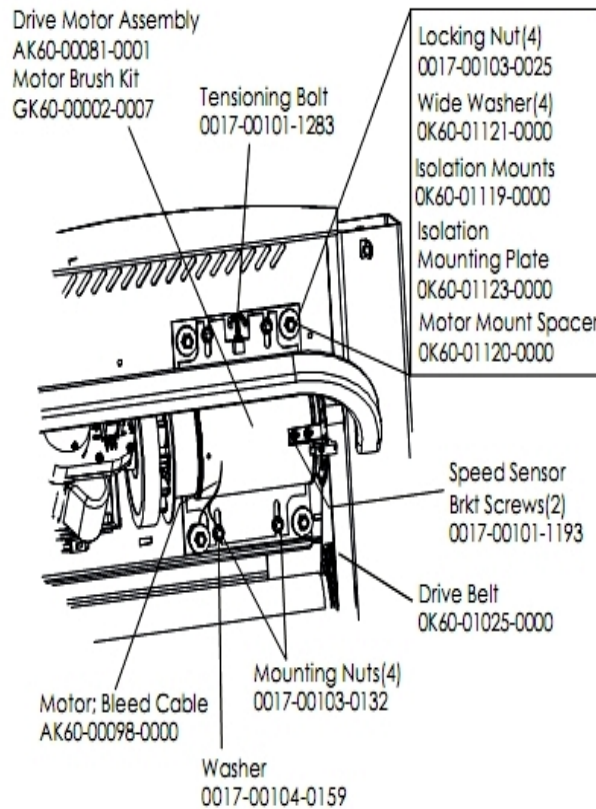
Ref #	Part Number	Qty	Description
-	OK36-01059-0001	1	Isolator Receiver Cube
-	A084-92228-A001	1	Console PCB
-	OK36-01059-0002	1	Insulator Receiver Tube
-	SK40-00045-0001	1	Polar HR Kit
-	AK58-00036-0000	1	Cable-Assembly: Emergency-Stop Switch
-	AK60-00043-0000	1	Polar E-Stop Cable
-	0017-00101-0969	1	Hardware: Phillips Screw
-	0017-00101-1275	4	Hardware: Phillips Screw 0.375"
-	OK36-01060-0000	1	Side Foam

Console Assembly 3



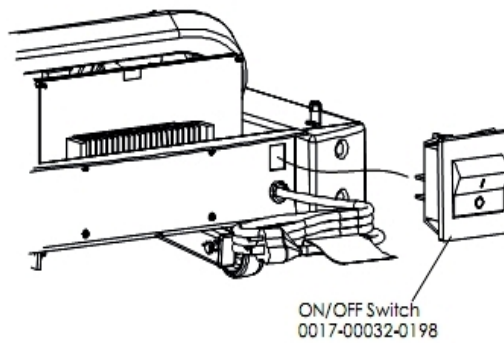
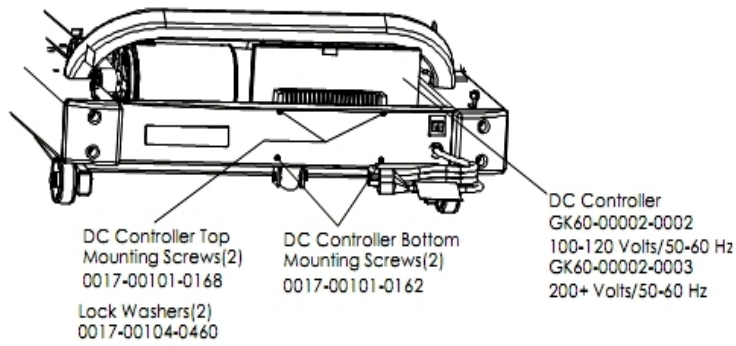
Ref #	Part Number	Qty	Description
-	OK60-01041-0004	1	Right Wire Cover
-	OK60-01072-0001	1	Console Rear Case
-	OK60-01176-0000	1	Rear Decal
-	OK60-01041-0003	1	Left Wire Cover
-	0017-00101-1288	9	Hardware: Phillips Screw 0.5"

Drive Motor Assembly



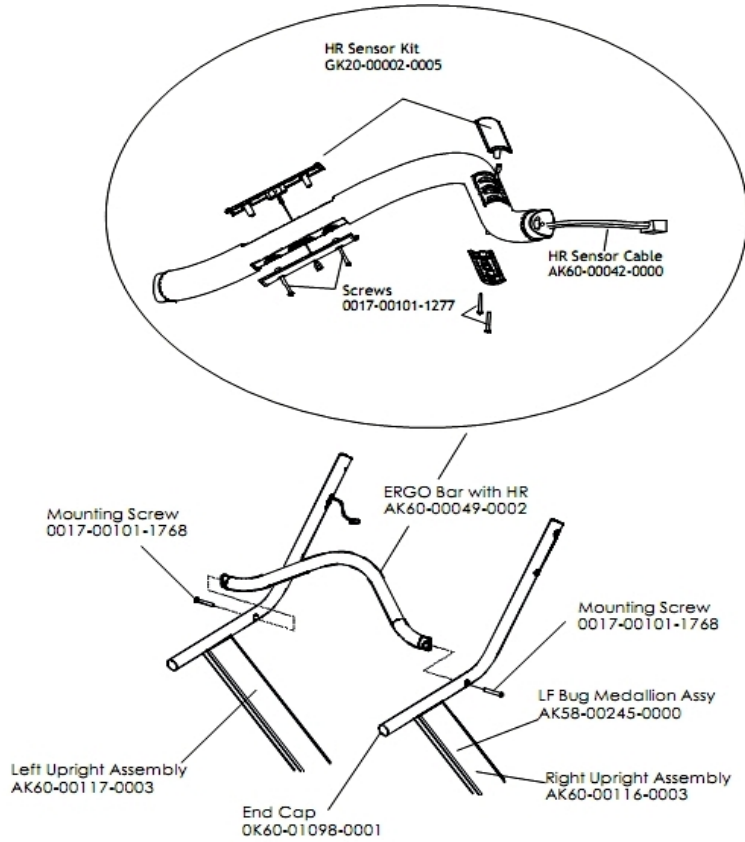
Ref #	Part Number	Qty	Description
-	0017-00104-0159	1	Hardware: Flat Washer 0.75" OD
-	0017-00103-0025	4	Hardware: Locking Nut 3/8" ID
-	0017-00103-0132	4	Hardware: Mounting Nut
-	OK60-01120-0000	1	Motor Mount Spacer
-	GK60-00002-0015	1	Kit: Activate Treadmill Belt And Pulley
-	OK60-01123-0000	1	Isolation Mounting Plate
-	AK60-00081-0001	1	Drive Motor Assembly
-	GK60-00002-0007	1	Motor Brush Kit
-	0017-00101-1193	2	Hardware: Screw 0.375"
-	AK60-00098-0000	1	Current Limit Wires
-	OK60-01121-0000	4	Hardware: Washer
-	OK60-01119-0000	1	Isolator Mount
-	0017-00101-1283	1	Hardware: Tensioning Bolt

DC Controller and On/Off Switch



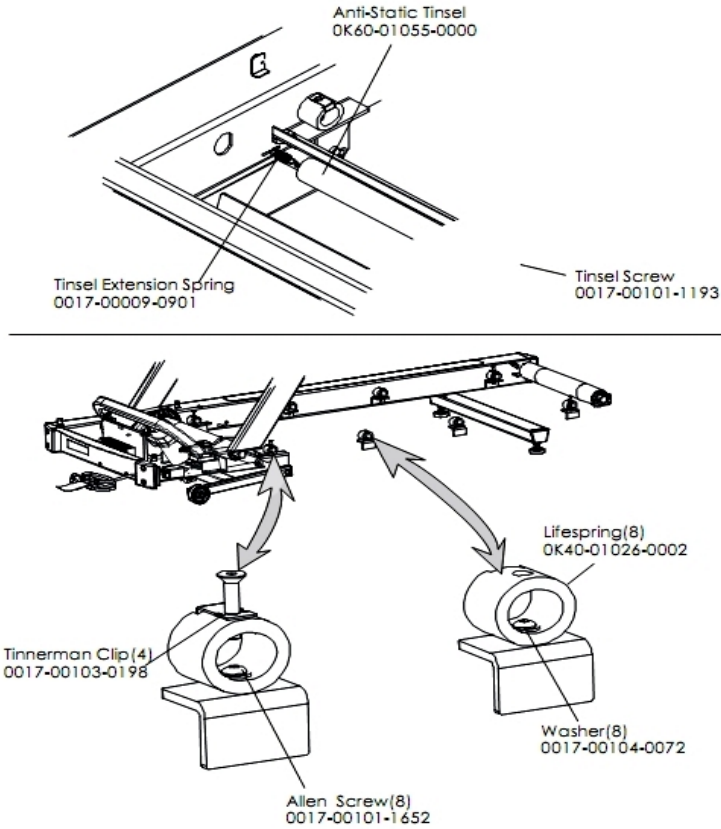
Ref #	Part Number	Qty	Description
-	0017-00032-0198	1	On/Off Switch 22A
-	GK60-00002-0002	1	DC Controller (100-120 Volts)
-	0017-00104-0460	2	Hardware: Lockwasher 0.562" OD
-	0017-00101-0162	2	Hardware: Screw 0.375"
-	0017-00101-0168	2	Hardware: DC Controller Mounting Screws

Ergo Bar and Upright Assembly



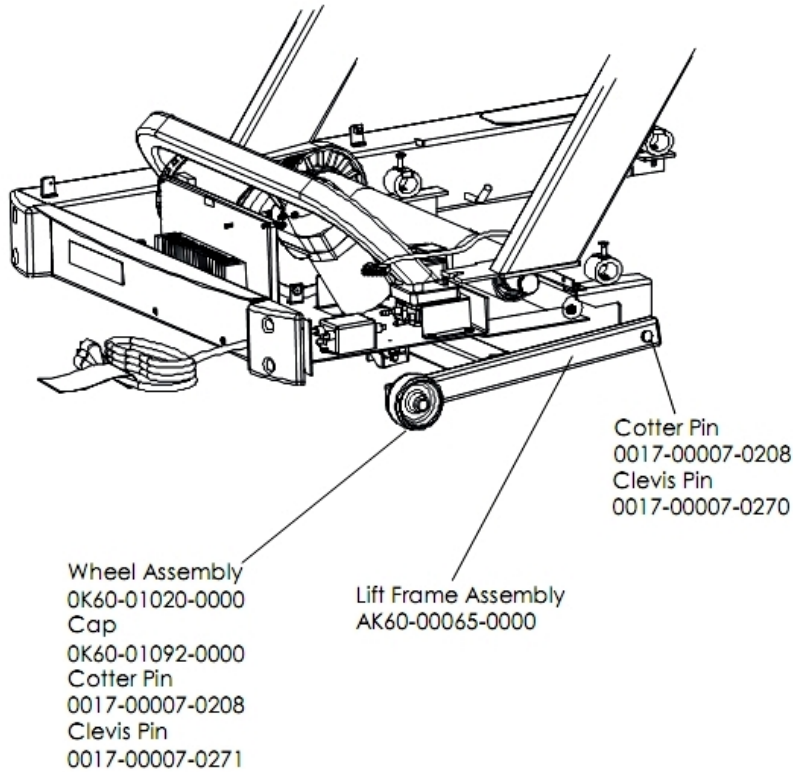
Ref #	Part Number	Qty	Description
-	0017-00101-1277	4	Hardware: Sensor Mounting Screw 1"
-	AK60-00117-0003	1	Upright Assembly: Left
-	AK58-00245-0000	1	Bug Medallion
-	GK20-0002-0005	1	Heart Rate Electrode Kit
-	OK60-01098-0001	4	End Cap
-	AK60-00116-0003	1	Upright Assembly: Right
-	0017-00101-1768	2	Hardware: Mounting Screw
-	AK60-0042-0000	2	Heart Rate Cable
-	AK60-0049-0002	1	ERGO Bar with Heart Rate Sensor

Lifesprings and Anti-Static Tinsel



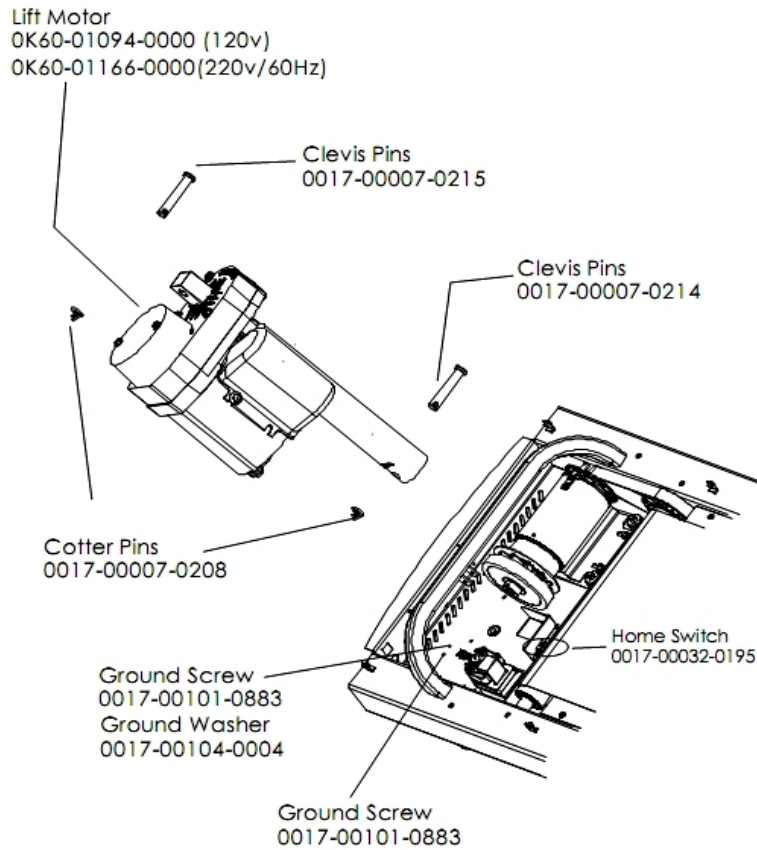
Ref #	Part Number	Qty	Description
-	OK60-01055-0000	1	Anti-Static Tinsel
-	0017-00103-0198	4	Hardware: Tinnerman Clip 1/4" ID
-	0017-00101-1193	1	Hardware: Screw 0.375"
-	0017-00101-1652	8	Hardware: Spring Mounting Screw 1"
-	0017-00009-0901	1	Tinsel Extension Spring
-	0017-00104-0072	8	Hardware: Flat Washer 0.562" OD
-	OK40-01026-0002	8	Deck Spring

Lift Frame Assembly



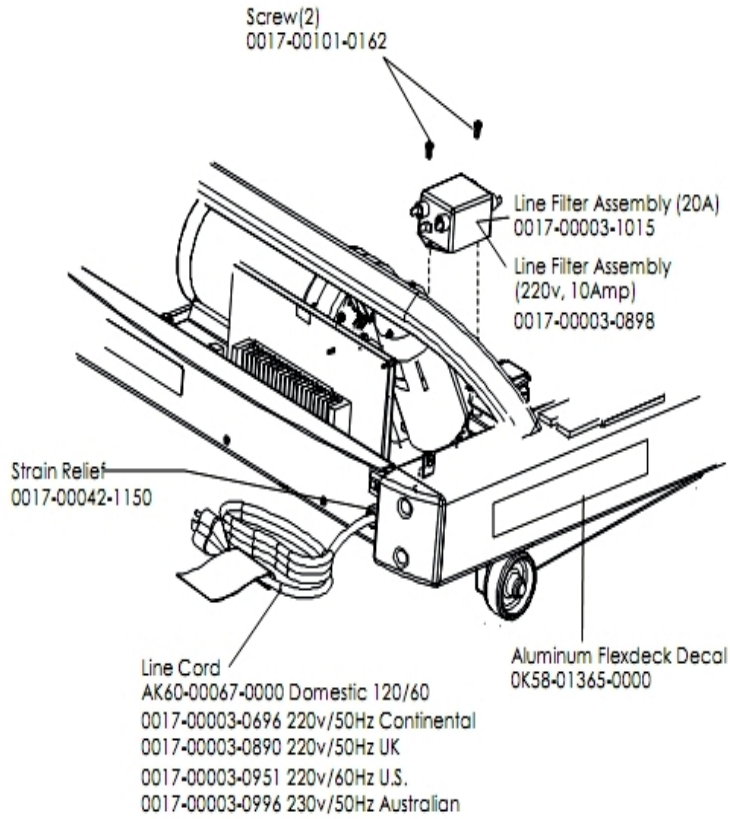
Ref #	Part Number	Qty	Description
-	6836601	2	Cap, End 1 X 1-1/2 11 GA
-	0017-00007-0208	4	Hardware: Cotter Pin
-	AK60-00065-0000	1	Lift Frame Assembly
-	0K60-01020-0000	2	Wheel
-	0017-00007-0270	2	Hardware: Clevis Pin - 1/2" D 1.5" L
-	0017-00007-0271	2	Hardware: Clevis Pin - 1/2" D 2.75" L

Lift Motor and Home Switch



Ref #	Part Number	Qty	Description
-	0017-00101-0883	2	Hardware: Screw 0.375"
-	0017-00032-0195	1	Home Switch
-	0017-00104-0004	1	Hardware: Washer
-	OK60-01094-0000	1	Motor: Lift DOM 100V-120V
-	0017-00007-0214	1	Hardware: Clevis Pin 3/8" D 1.75" L
-	0017-00007-0215	1	Hardware: Clevis Pin - 3/8" D 2.25" L
-	0017-00007-0208	2	Hardware: Cotter Pin

Line Cord and Line Filter

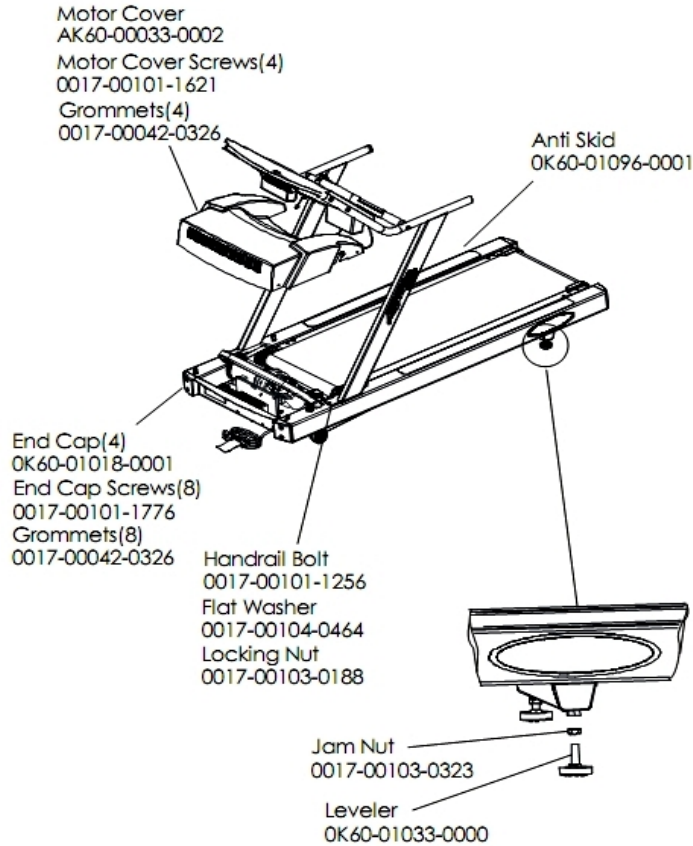


Ref #	Part Number	Qty	Description
-	0K58-01365-0000	1	Decal
-	0017-00101-0162	2	Hardware: Screw 0.375"
-	0017-00042-1150	1	Strain Relief
-	AK60-00067-0000	1	Line Cord: US; 120/60
-	0017-00003-1015	1	20 amp Line Filter (DOM)

Miscellaneous

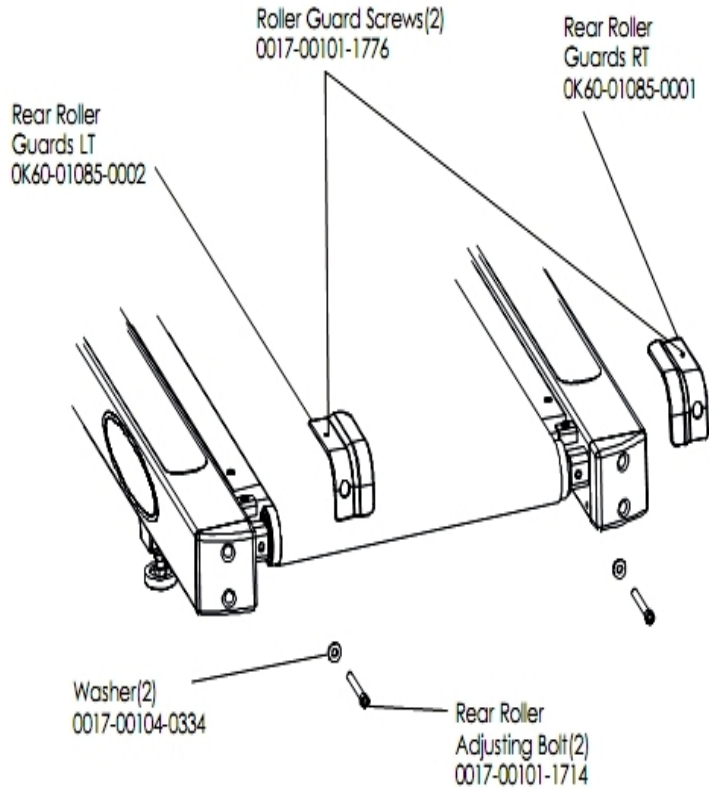
Ref #	Part Number	Qty	Description
-	0017-00042-1151	3	Push Rivets
-	0017-00101-1256	2	Hardware: Mounting Bolt 5"
-	AK60-00161-0000	1	Hardware Bag
-	0017-00104-0464	1	Hardware: Flat Washer 0.734" OD
-	0K60-01098-0001	1	End Cap
-	0017-00101-1776	1	Hardware: Mounting Screw 0.5"
-	0017-00101-1767	1	Hardware: Mounting Screws(4)
-	0017-00101-1768	1	Hardware: Mounting Screw
-	0017-00103-0188	1	Hardware: Flange Lock Nut 3/8" ID
-	0017-00008-0206	1	.33oz Pen - Arctic Silver
-	AK32-00020-0002	1	Coax Cable: 120"
-	AK32-00078-0001	1	Power Extension Cable: 120"
-	0017-00021-2846	1	F-Type Panel Connector
-	0017-00008-0205	1	5 oz Bottle - Arctic Silver
-	0017-00008-0204	1	Paint Spray Can - Arctic Silver

Motor Cover, Leveler and End Caps



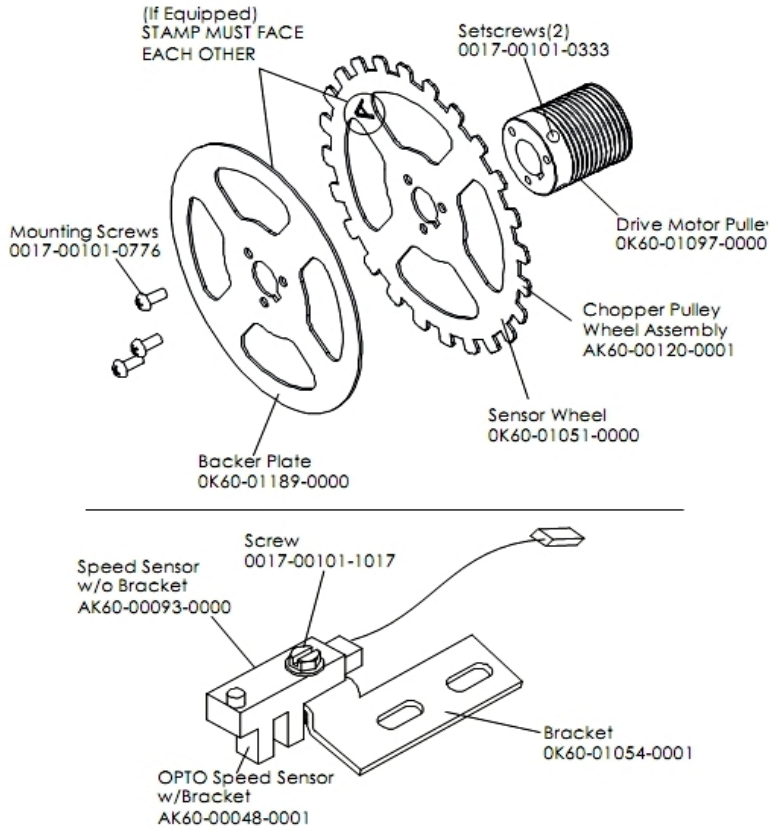
Ref #	Part Number	Qty	Description
-	0017-00101-1621	4	Hardware: Phillips Screw 0.5"
-	AK60-00033-0002	1	Motor Cover
-	OK60-01096-0001	2	Anti Skid
-	0017-00101-1776	8	Hardware: Mounting Screw 0.5"
-	0017-00103-0323	2	Hardware: Nut 1/2" ID
-	0017-00104-0464	2	Hardware: Flat Washer 0.734" OD
-	OK60-01018-0001	4	End Cap
-	0017-00042-0326	12	Hardware: Plastic Grommet
-	OK60-01033-0000	2	Leg Leveler
-	0017-00101-1256	2	Hardware: Mounting Bolt 5"
-	0017-00103-0188	1	Hardware: Flange Lock Nut 3/8" ID

Rear Roller Guards



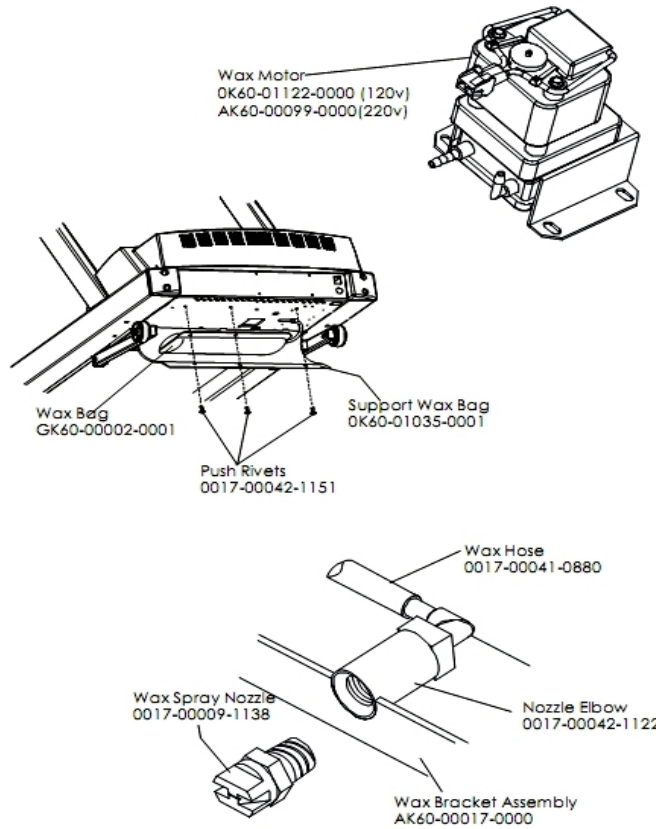
Ref #	Part Number	Qty	Description
-	0017-00101-1779	2	Hardware: Rear Roller Adjusting Bolt
-	OK60-01085-0001	1	Roller Guard: Right
-	0017-00101-1776	2	Hardware: Mounting Screw 0.5"
-	0017-00104-0334	2	Hardware: Flat Washers 0.880" OD
-	OK60-01085-0002	1	Roller Guard: Left

Sensor and Sensor Wheel Assembly



Ref #	Part Number	Qty	Description
-	AK60-00120-0001	1	Chopper Pulley Wheel Assembly
-	AK60-00048-0001	1	OPTO Speed Sensor with Bracket
-	OK60-01051-0000	1	Sensor Wheel
-	OK60-01054-0001	1	Bracket
-	0017-00101-0333	2	Hardware: Screw 0.3125"
-	0017-00101-0776	3	Hardware: Mounting Screws
-	AK60-00093-0000	1	Speed Sensor without Bracket
-	0017-00101-1017	1	Hardware: Leg Cover Screws
-	OK60-01189-0000	1	Backer Plate
-	OK60-01097-0000	1	Drive Motor Pulley

Wax Motor, Wax Bag, Wax Nozzle and Bracket



Ref #	Part Number	Qty	Description
-	0017-00042-1151	3	Push Rivets
-	OK60-01122-0000	1	Wax Motor (120v)
-	OK60-01035-0001	1	Support Wax Bag
-	0017-00009-1138	1	Wax Spray Nozzle
-	GK60-00002-0001	1	Wax Bag
-	0017-00042-1122	1	Nozzle Elbow
-	0017-00041-0880	1	Wax Hose
-	AK60-00017-0000	1	Wax Nozzle Assembly

