

90T Treadmill - 3HP DC - Arctic Silver

90T-0101-02

Parts Manual

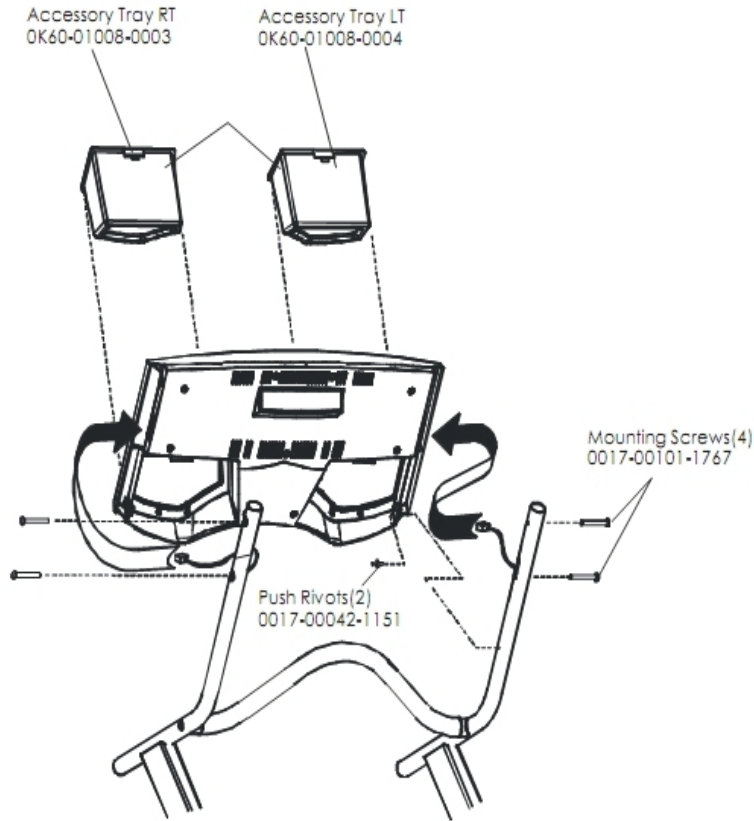
1/5/2019 6:25:20 AM



Table of Contents

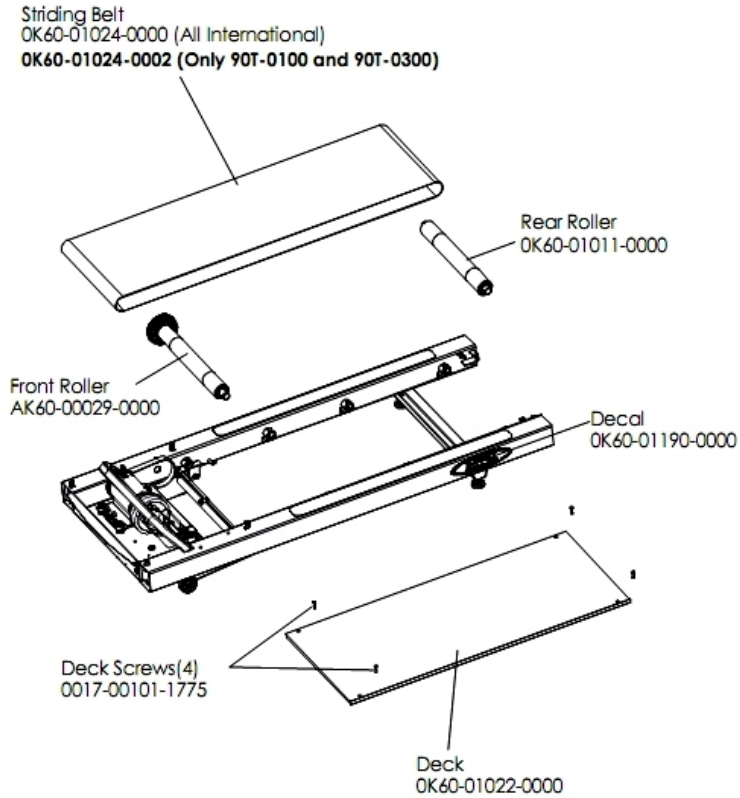
Accessory Trays	3
Belt, Deck, and Rollers	4
Cables	5
Console Assembly 1	6
Console Assembly 2	7
Console Assembly 3	8
Drive Motor Assembly	9
DC Controller and On/Off Switch	10
Ergo Bar and Upright Assembly	11
Lifesprings and Anti-Static Tinsel	12
Life Frame Assembly	13
Lift Motor and Home Switch	14
Line Cord and Line Filter	15
Miscellaneous	16
Motor Cover, Leveler and End Caps	17
Rear Roller Guards	18
Sensor and Sensor Wheel Assembly	19
Wax Motor, Wax Bag, Wax Nozzle and Bracket	20

Accessory Trays



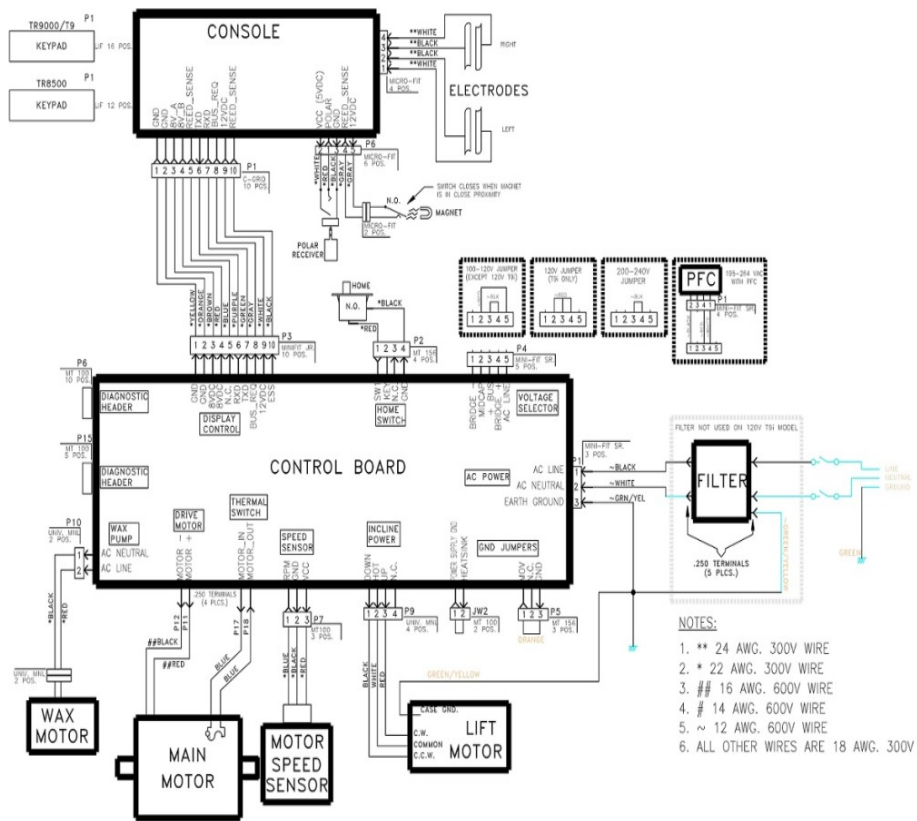
Ref #	Part Number	Qty	Description
-	0K60-01008-0003	1	Accessory Tray Right
-	0017-00042-1151	2	Push Rivets
-	0K60-01008-0004	1	Accessory Tray Left
-	0017-00101-1767	4	Hardware: Mounting Screws(4)

Belt, Deck, and Rollers



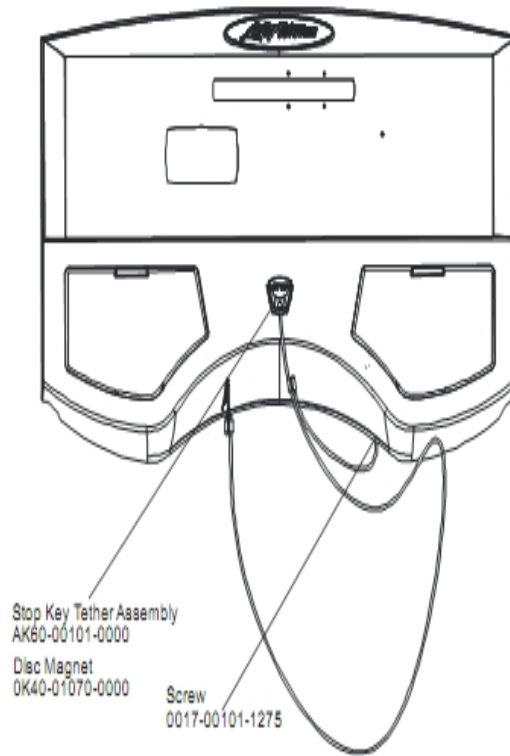
Ref #	Part Number	Qty	Description
-	OK60-01024-0002	1	Striding Belt
-	OK60-01190-0000	2	Decal
-	OK60-01011-0000	1	Rear Roller
-	AK60-00029-0000	1	Front Roller Assembly
-	OK60-01022-0000	1	Deck
-	0017-00101-1775	4	Hardware: Deck Screws 1.25"

Cables



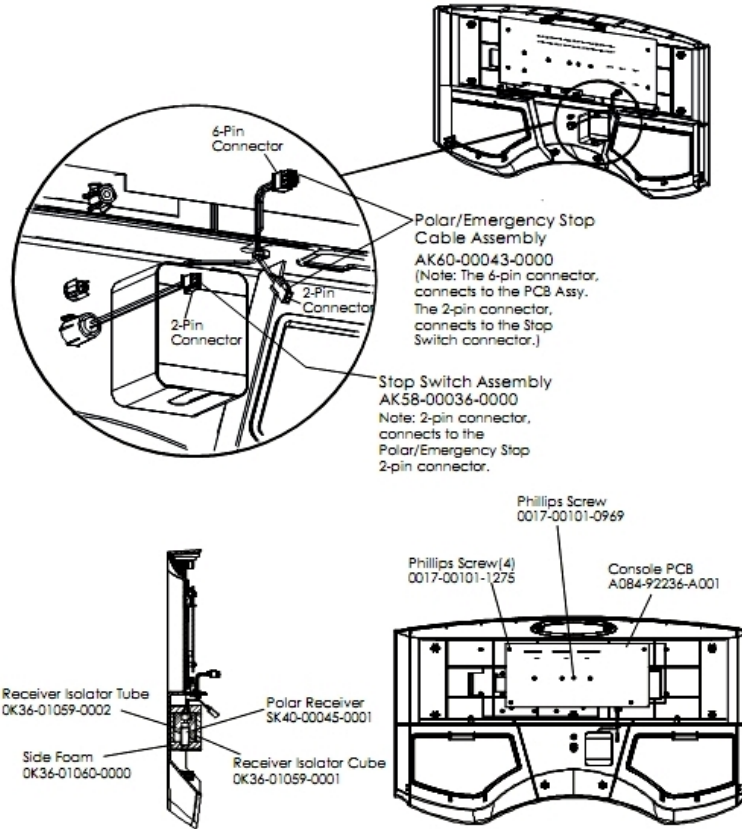
Ref #	Part Number	Qty	Description
-	AK26-00347-0000	1	Cable Assembly - White
-	AK60-00041-0000	1	Wax Pump Cable
-	AK60-00103-0000	1	Power Controller Cable: 120V
-	AK26-00346-0000	1	Cable Assembly - Black
-	AK60-00038-0000	1	Home Switch Cable
-	AK60-00037-0000	1	Console Cable
-	AK26-00348-0000	1	Cable: Jumper; Ground

Console Assembly 1



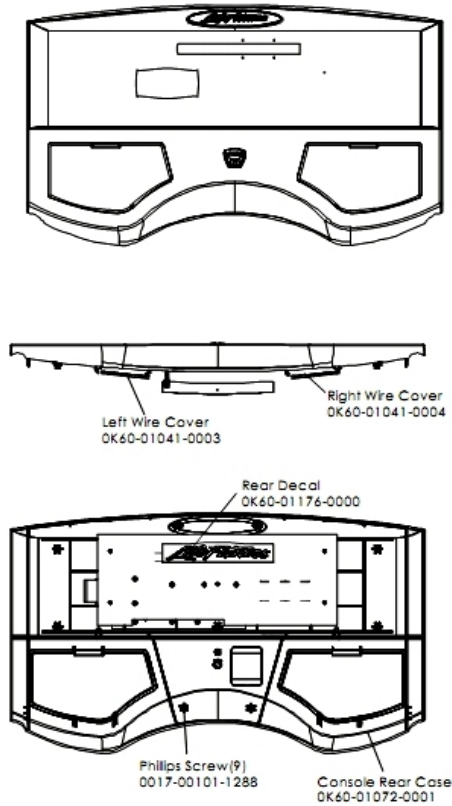
Ref #	Part Number	Qty	Description
-	AK60-00112-0001	1	Console: English/Metric
-	OK40-01070-0000	1	Magnetic Disk
-	0017-00101-1275	1	Hardware: Phillips Screw 0.375"
-	AK60-00109-0001	1	Overlay/Bezel: English/Metric
-	AK60-00101-0000	1	Stop Key Tether Assembly

Console Assembly 2



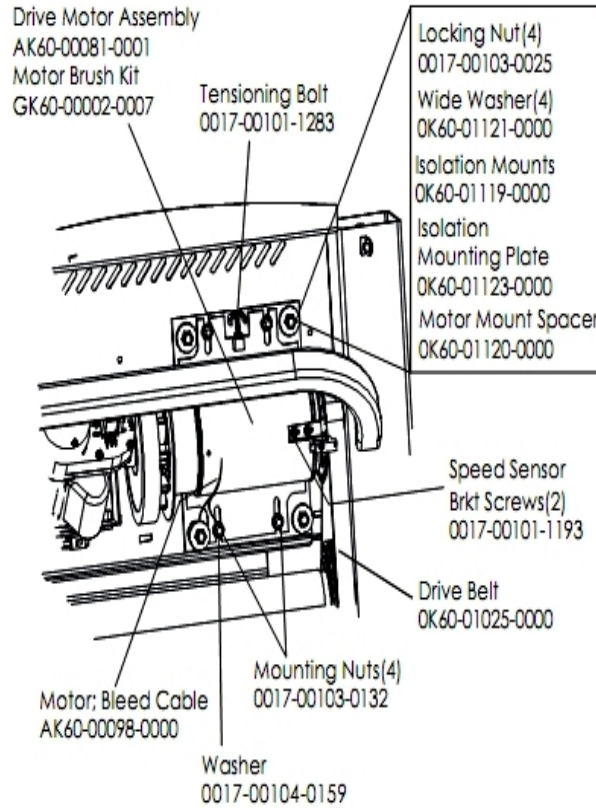
Ref #	Part Number	Qty	Description
-	AK60-00043-0000	1	Polar E-Stop Cable
-	AK58-00036-0000	1	Cable-Assembly: Emergency-Stop Switch
-	SK40-00045-0001	1	Polar HR Kit
-	A084-92236-A001	1	Console PCB
-	OK36-01059-0002	1	Insulator Receiver Tube
-	OK36-01059-0001	1	Isolator Receiver Cube
-	OK36-01060-0000	1	Side Foam
-	0017-00101-1275	4	Hardware: Phillips Screw 0.375"
-	0017-00101-0969	1	Hardware: Phillips Screw

Console Assembly 3



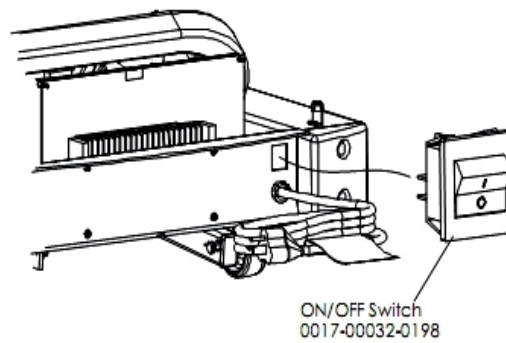
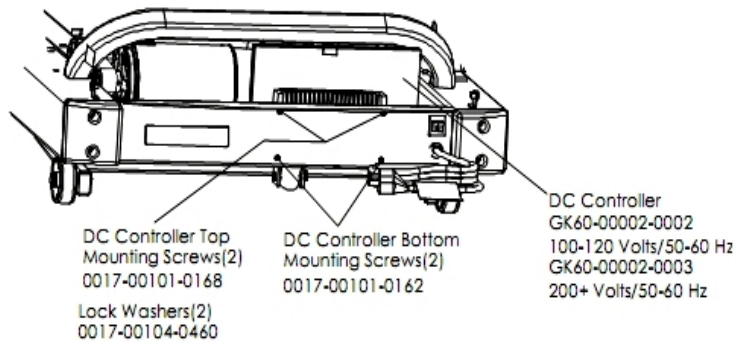
Ref #	Part Number	Qty	Description
-	OK60-01041-0003	1	Left Wire Cover
-	OK60-01072-0001	1	Console Rear Case
-	OK60-01041-0004	1	Right Wire Cover
-	0017-00101-1288	9	Hardware: Phillips Screw 0.5"
-	OK60-01176-0000	1	Rear Decal

Drive Motor Assembly



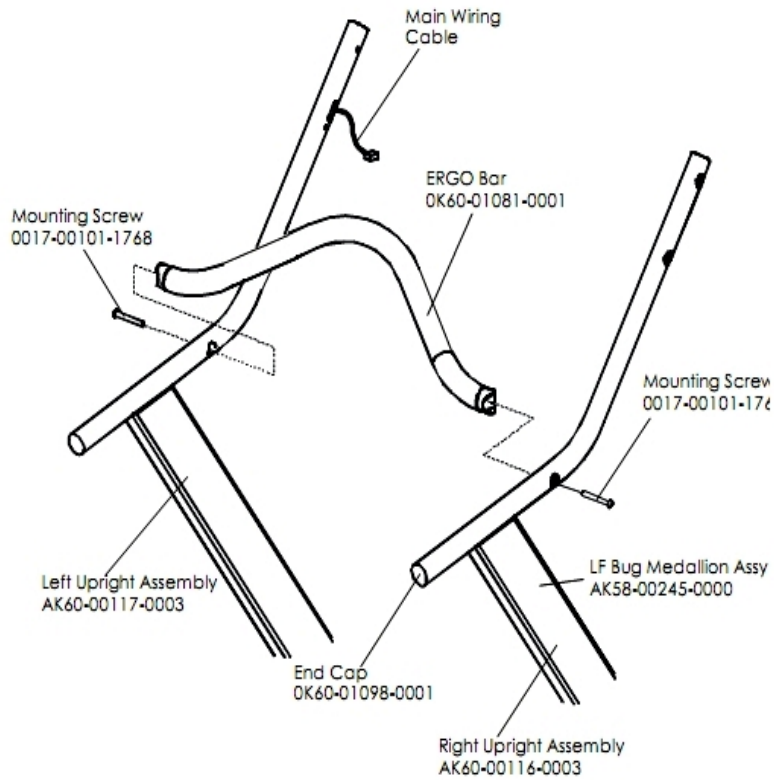
Ref #	Part Number	Qty	Description
-	OK60-01119-0000	1	Isolator Mount
-	OK60-01121-0000	4	Hardware: Washer
-	AK60-00098-0000	1	Current Limit Wires
-	0017-00101-1193	2	Hardware: Screw 0.375"
-	0017-00101-1283	1	Hardware: Tensioning Bolt
-	0017-00104-0159	1	Hardware: Flat Washer 0.75" OD
-	0017-00103-0025	4	Hardware: Locking Nut 3/8" ID
-	0017-00103-0132	4	Hardware: Mounting Nut
-	OK60-01120-0000	1	Motor Mount Spacer
-	GK60-00002-0015	1	Kit: Activate Treadmill Belt And Pulley
-	OK60-01123-0000	1	Isolation Mounting Plate
-	AK60-00081-0001	1	Drive Motor Assembly
-	GK60-00002-0007	1	Motor Brush Kit

DC Controller and On/Off Switch



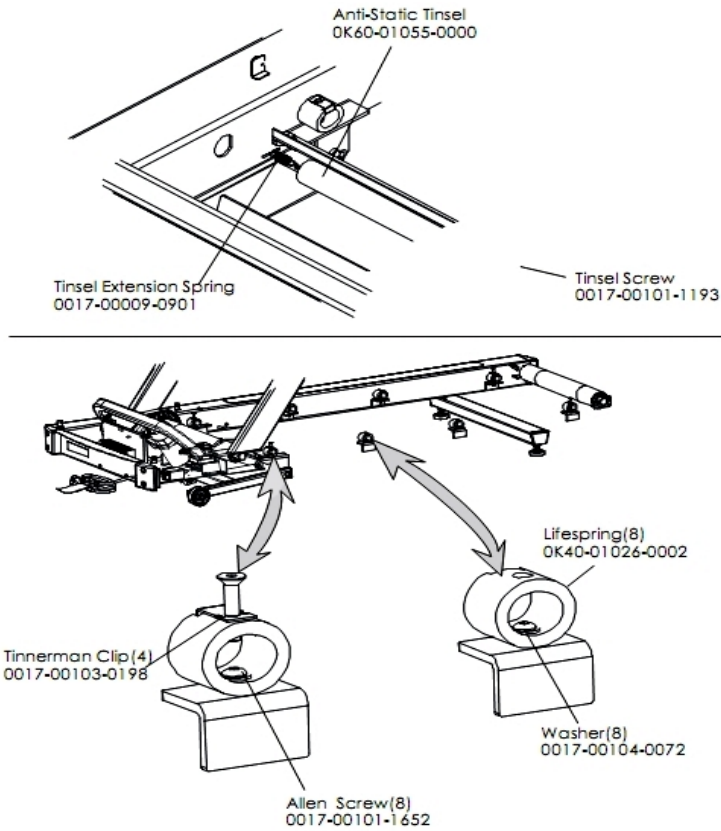
Ref #	Part Number	Qty	Description
-	0017-00032-0198	1	On/Off Switch 22A
-	0017-00104-0460	2	Hardware: Lockwasher 0.562" OD
-	GK60-00002-0002	1	DC Controller (100-120 Volts)
-	0017-00101-0162	2	Hardware: Screw 0.375"
-	0017-00101-0168	2	Hardware: DC Controller Mounting Screws

Ergo Bar and Upright Assembly



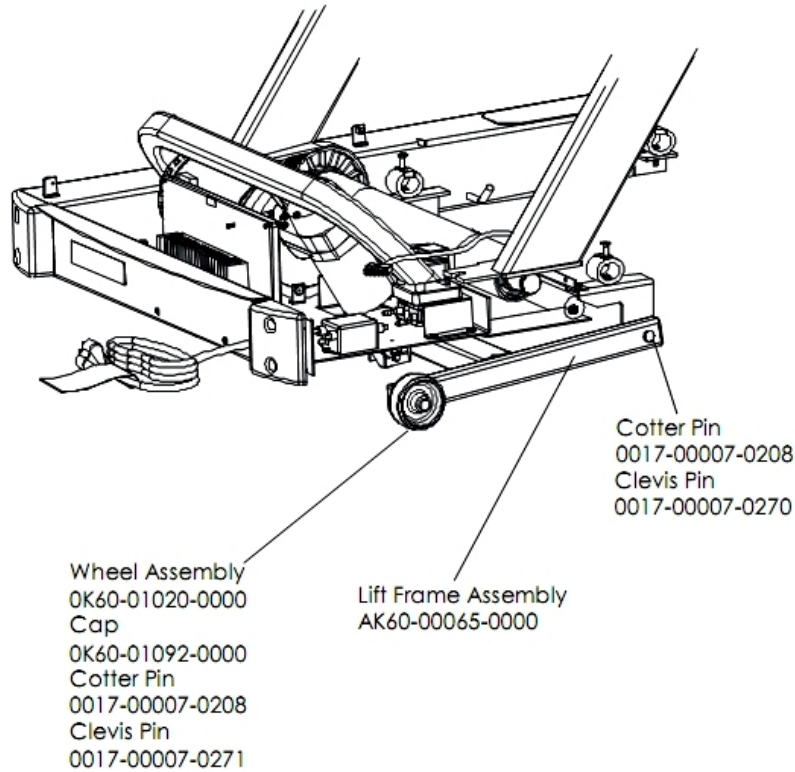
Ref #	Part Number	Qty	Description
-	OK60-01081-0001	1	Ergo Bar
-	AK60-00117-0003	1	Upright Assembly: Left
-	OK60-01098-0001	4	End Cap
-	AK60-00116-0003	1	Upright Assembly: Right
-	0017-00101-1768	2	Hardware: Mounting Screw
-	AK58-00245-0000	1	Bug Medallion

Lifesprings and Anti-Static Tinsel



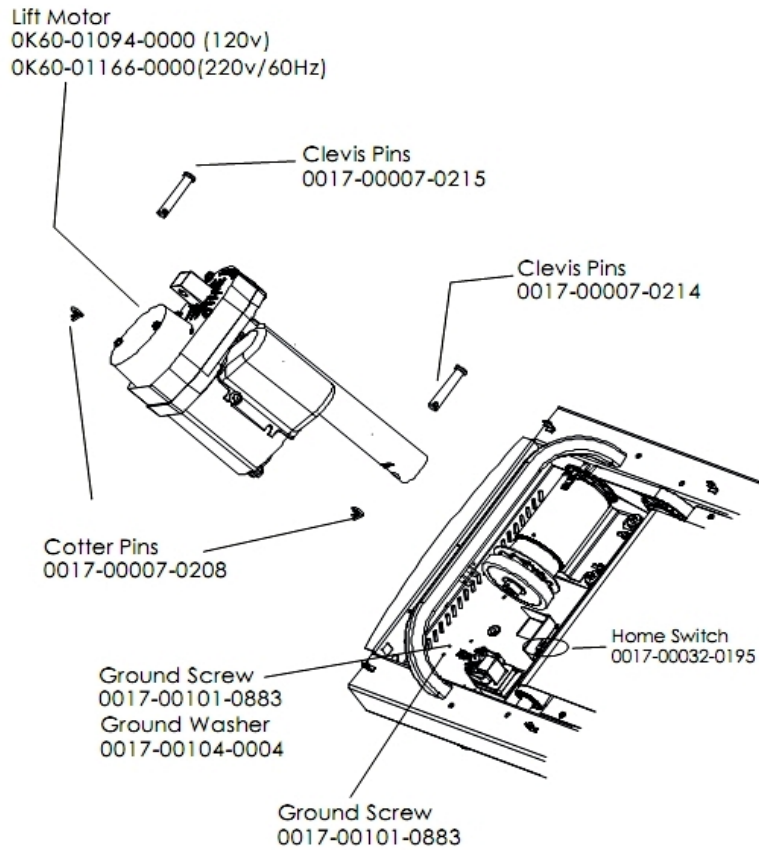
Ref #	Part Number	Qty	Description
-	0K60-01055-0000	1	Anti-Static Tinsel
-	0017-00009-0901	1	Tinsel Extension Spring
-	0017-00103-0198	4	Hardware: Tinnerman Clip 1/4" ID
-	OK40-01026-0002	8	Deck Spring
-	0017-00101-1652	8	Hardware: Spring Mounting Screw 1"
-	0017-00101-1193	1	Hardware: Screw 0.375"
-	0017-00104-0072	8	Hardware: Flat Washer 0.562" OD

Life Frame Assembly



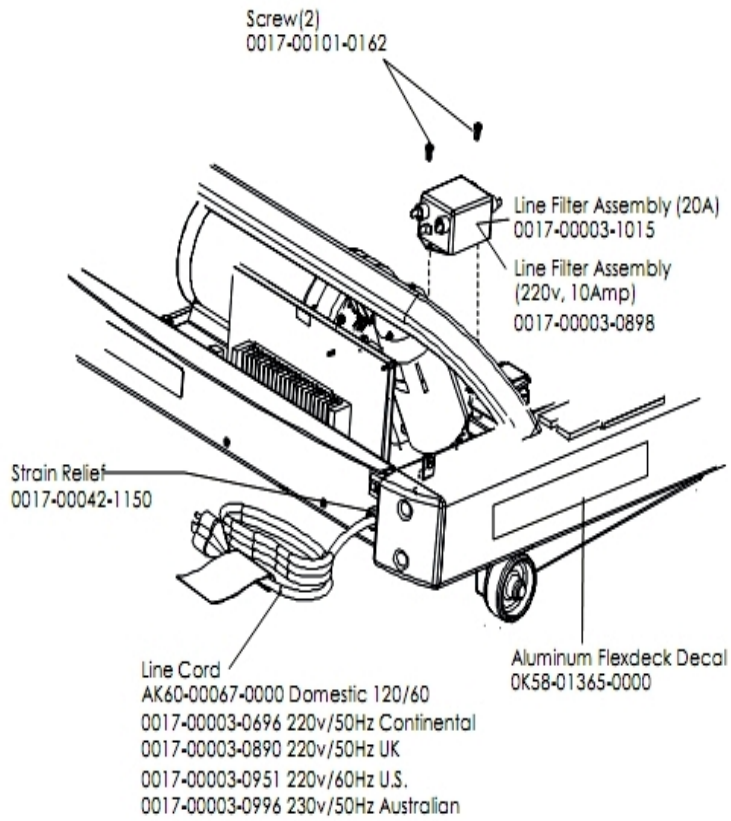
Ref #	Part Number	Qty	Description
-	0017-00007-0271	2	Hardware: Clevis Pin - 1/2" D 2.75" L
-	6836601	2	Cap, End 1 X 1-1/2 11 GA
-	0017-00007-0208	4	Hardware: Cotter Pin
-	AK60-00065-0000	1	Lift Frame Assembly
-	0K60-01020-0000	1	Wheel
-	0017-00007-0270	2	Hardware: Clevis Pin - 1/2" D 1.5" L

Lift Motor and Home Switch



Ref #	Part Number	Qty	Description
-	OK60-01094-0000	1	Motor: Lift DOM 100V-120V
-	0017-00104-0004	1	Hardware: Washer
-	0017-00007-0214	1	Hardware: Clevis Pin 3/8" D 1.75" L
-	0017-00032-0195	1	Home Switch
-	0017-00007-0215	1	Hardware: Clevis Pin - 3/8" D 2.25" L
-	0017-00007-0208	2	Hardware: Cotter Pin
-	0017-00101-0883	2	Hardware: Screw 0.375"

Line Cord and Line Filter

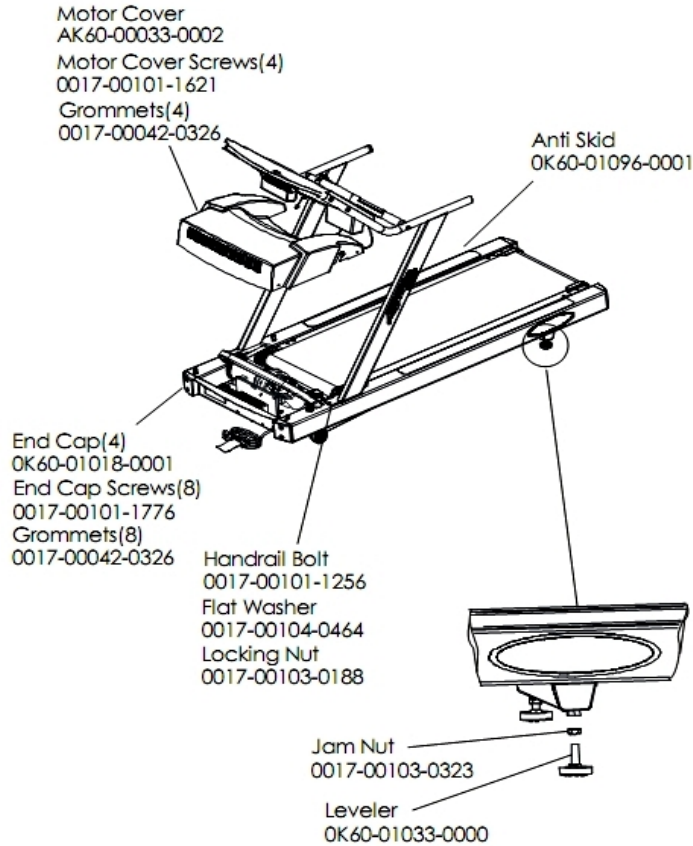


Ref #	Part Number	Qty	Description
-	0017-00101-0162	2	Hardware: Screw 0.375"
-	0017-00042-1150	1	Strain Relief
-	AK60-00067-0000	1	Line Cord: US; 120/60
-	OK58-01365-0000	1	Decal
-	0017-00003-1015	1	20 amp Line Filter (DOM)

Miscellaneous

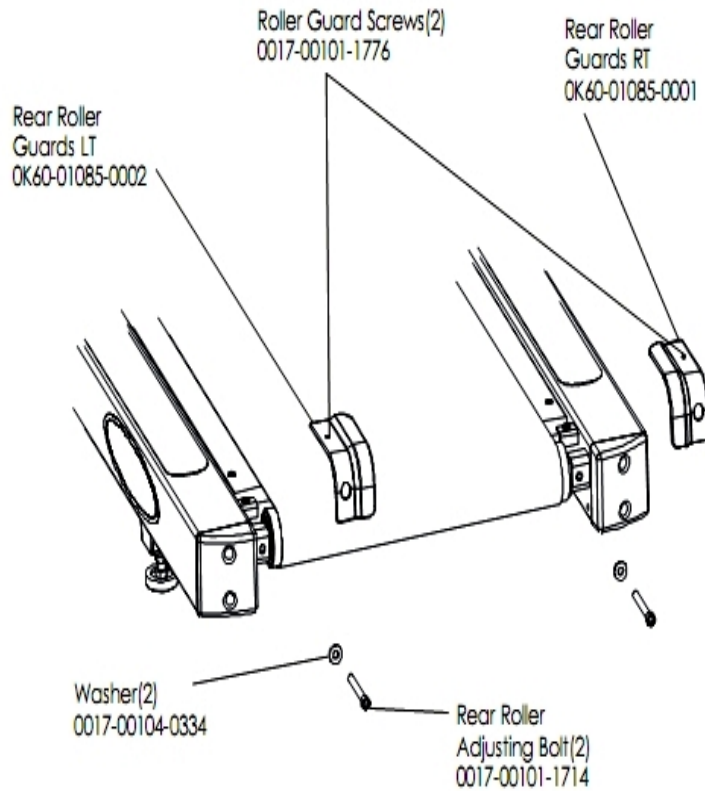
Ref #	Part Number	Qty	Description
-	0017-00042-1151	5	Push Rivets
-	0017-00101-1256	4	Hardware: Mounting Bolt 5"
-	0017-00104-0464	4	Hardware: Flat Washer 0.734" OD
-	0K60-01098-0001	4	End Cap
-	0017-00101-1776	10	Hardware: Mounting Screw 0.5"
-	0017-00101-1767	4	Hardware: Mounting Screws(4)
-	0017-00101-1768	2	Hardware: Mounting Screw
-	0017-00103-0188	4	Hardware: Flange Lock Nut 3/8" ID
-	0017-00008-0206	1	.33oz Pen - Arctic Silver
-	AK60-00054-0002	1	Hardware Bag
-	0017-00008-0204	1	Paint Spray Can - Arctic Silver
-	0017-00008-0205	1	5 oz Bottle - Arctic Silver

Motor Cover, Leveler and End Caps



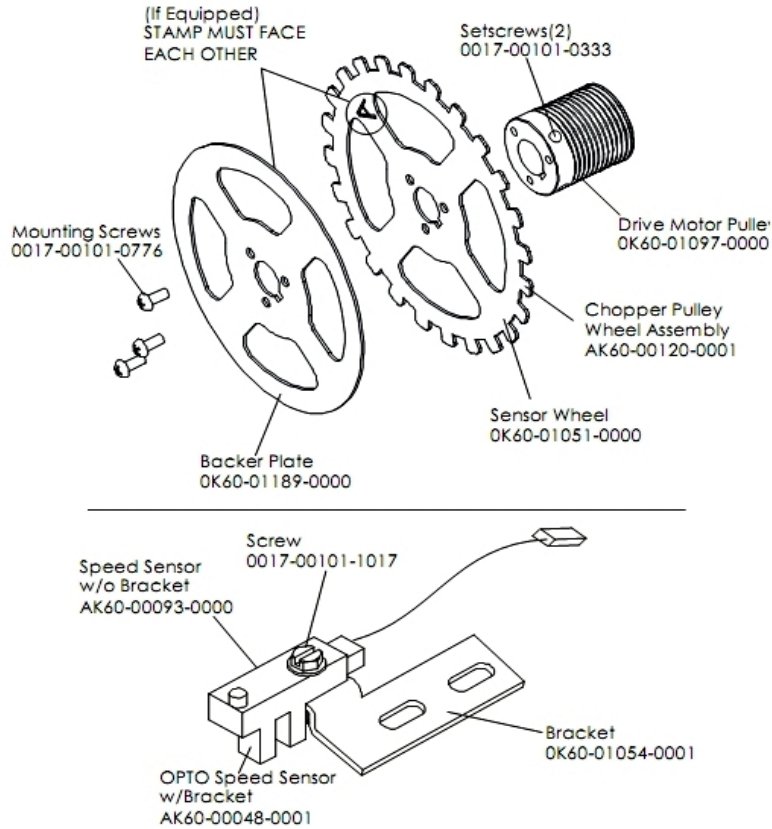
Ref #	Part Number	Qty	Description
-	OK60-01018-0001	4	End Cap
-	0017-00042-0326	12	Hardware: Plastic Grommet
-	0017-00101-1621	4	Hardware: Phillips Screw 0.5"
-	0017-00101-1776	8	Hardware: Mounting Screw 0.5"
-	AK60-00033-0002	1	Motor Cover
-	0017-00104-0464	2	Hardware: Flat Washer 0.734" OD
-	0017-00103-0323	2	Hardware: Nut 1/2" ID
-	0017-00103-0188	2	Hardware: Flange Lock Nut 3/8" ID
-	OK60-01033-0000	2	Leg Leveler
-	0017-00101-1256	2	Hardware: Mounting Bolt 5"
-	OK60-01096-0001	2	Anti Skid

Rear Roller Guards



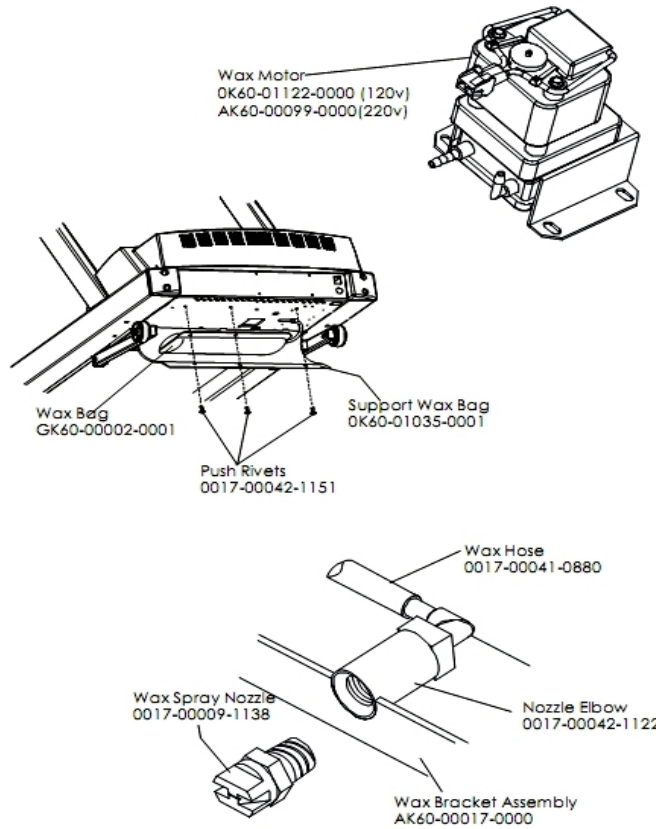
Ref #	Part Number	Qty	Description
-	0017-00101-1779	2	Hardware: Rear Roller Adjusting Bolt
-	OK60-01085-0001	1	Roller Guard: Right
-	0017-00101-1776	2	Hardware: Mounting Screw 0.5"
-	0017-00104-0334	2	Hardware: Flat Washers 0.880" OD
-	OK60-01085-0002	1	Roller Guard: Left

Sensor and Sensor Wheel Assembly



Ref #	Part Number	Qty	Description
-	AK60-00120-0001	1	Chopper Pulley Wheel Assembly
-	AK60-00048-0001	1	OPTO Speed Sensor with Bracket
-	OK60-01051-0000	1	Sensor Wheel
-	OK60-01054-0001	1	Bracket
-	OK60-01189-0000	1	Backer Plate
-	0017-00101-0776	3	Hardware: Mounting Screws
-	AK60-00093-0000	1	Speed Sensor without Bracket
-	0017-00101-1017	1	Hardware: Leg Cover Screws
-	0017-00101-0333	2	Hardware: Screw 0.3125"
-	OK60-01097-0000	1	Drive Motor Pulley

Wax Motor, Wax Bag, Wax Nozzle and Bracket



Ref #	Part Number	Qty	Description
-	0017-00042-1151	3	Push Rivets
-	OK60-01122-0000	1	Wax Motor (120v)
-	OK60-01035-0001	1	Support Wax Bag
-	0017-00009-1138	1	Wax Spray Nozzle
-	GK60-00002-0001	1	Wax Bag
-	0017-00042-1122	1	Nozzle Elbow
-	0017-00041-0880	1	Wax Hose
-	AK60-00017-0000	1	Wax Nozzle Assembly

