

90T Treadmill - English/Metric 230/50 (CON)

90T-0101-05

Parts Manual

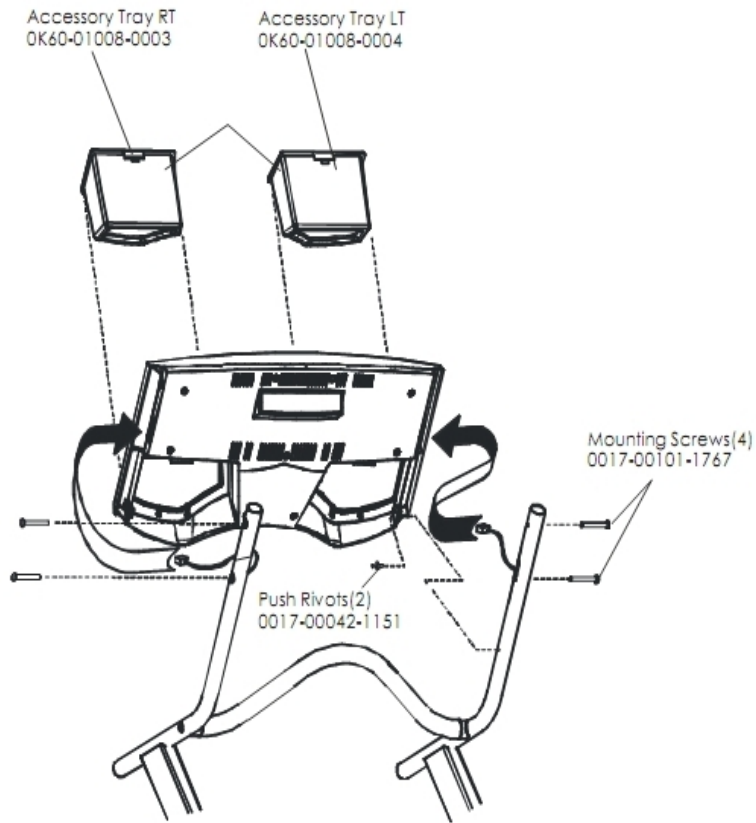
1/5/2019 6:25:20 AM



Table of Contents

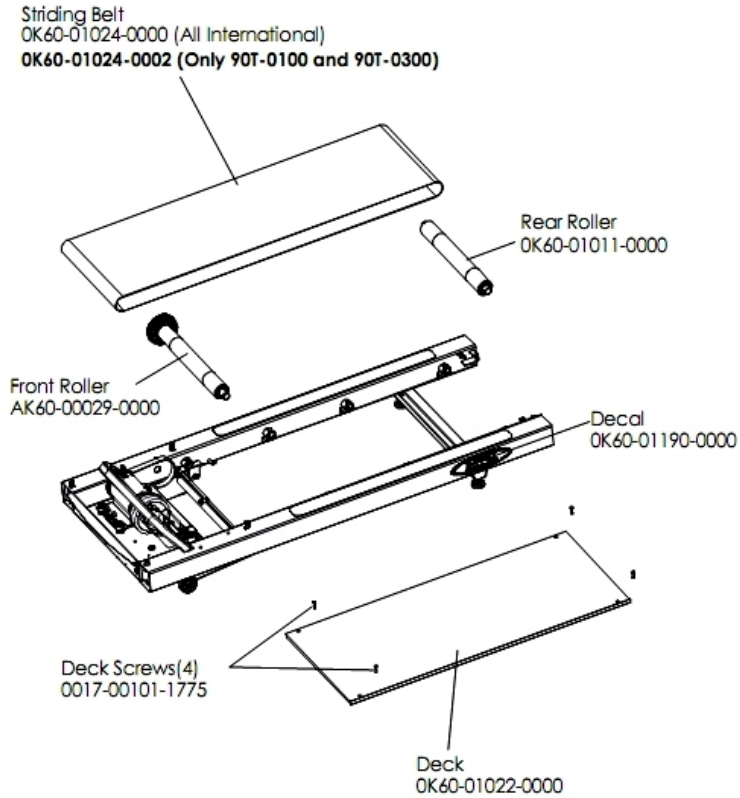
| | |
|--|----|
| Accessory Trays | 3 |
| Belt, Deck, and Rollers | 4 |
| Cables | 5 |
| Console Assembly 1 | 6 |
| Console Assembly 2 | 7 |
| Console Assembly 3 | 8 |
| Drive Motor Assembly | 9 |
| DC Controller and On/Off Switch | 10 |
| Ergo Bar and Upright Assembly | 11 |
| Lifesprings and Anti-Static Tinsel | 12 |
| Life Frame Assembly | 13 |
| Lift Motor and Home Switch | 14 |
| Line Cord and Line Filter | 15 |
| Miscellaneous | 16 |
| Motor Cover, Leveler and End Caps | 17 |
| Rear Roller Guards | 18 |
| Sensor and Sensor Wheel Assembly | 19 |
| Wax Motor, Wax Bag, Wax Nozzle and Bracket | 20 |

Accessory Trays



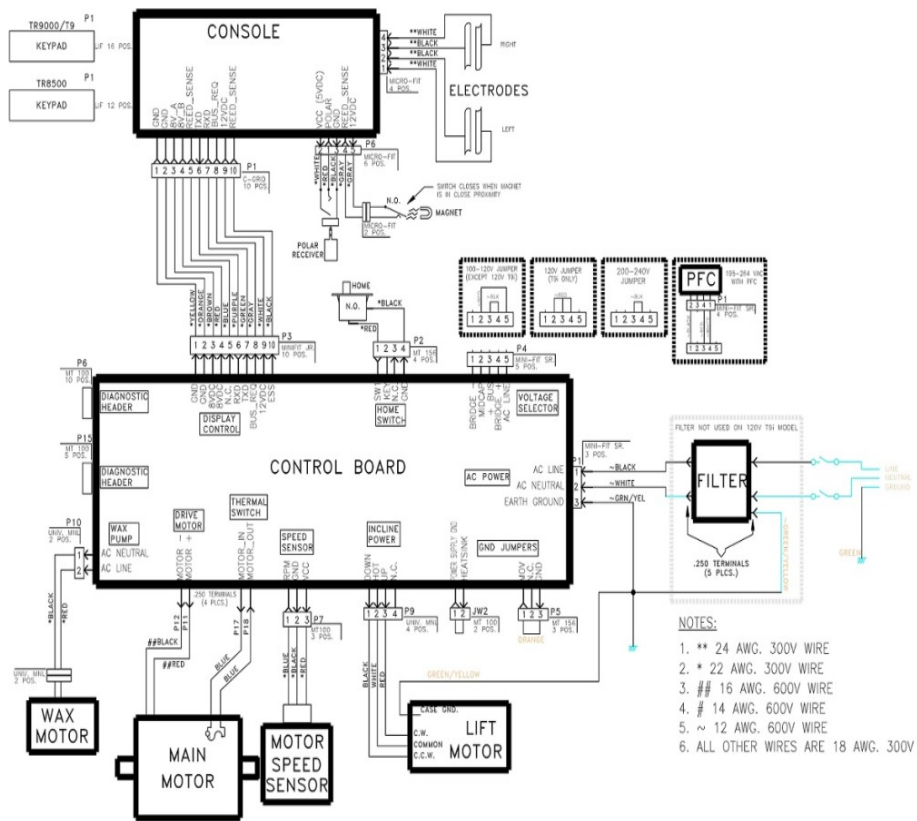
| Ref # | Part Number | Qty | Description |
|-------|-----------------|-----|------------------------------|
| - | 0017-00101-1767 | 4 | Hardware: Mounting Screws(4) |
| - | OK60-01008-0004 | 1 | Accessory Tray Left |
| - | OK60-01008-0003 | 1 | Accessory Tray Right |
| - | 0017-00042-1151 | 2 | Push Rivets |

Belt, Deck, and Rollers



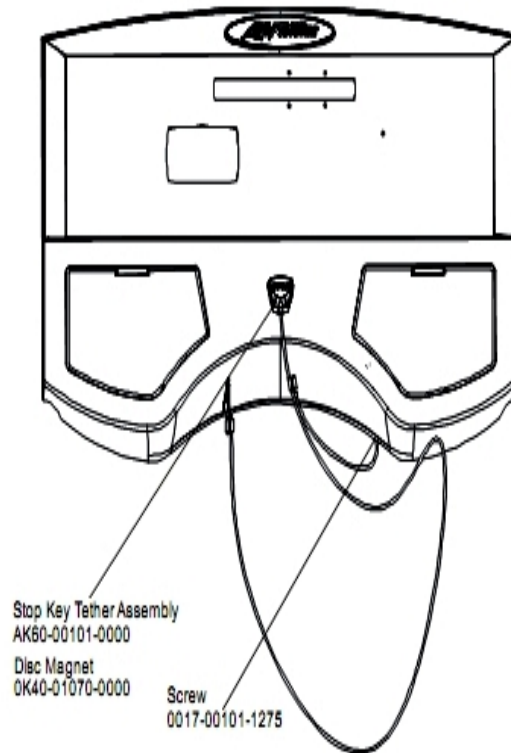
| Ref # | Part Number | Qty | Description |
|-------|-----------------|-----|-----------------------------|
| - | OK60-01011-0000 | 1 | Rear Roller |
| - | OK60-01022-0000 | 1 | Deck |
| - | OK60-01190-0000 | 2 | Decal |
| - | 0017-00101-1775 | 4 | Hardware: Deck Screws 1.25" |
| - | AK60-00029-0000 | 1 | Front Roller Assembly |
| - | OK60-01024-0000 | 1 | Striding Belt |

Cables



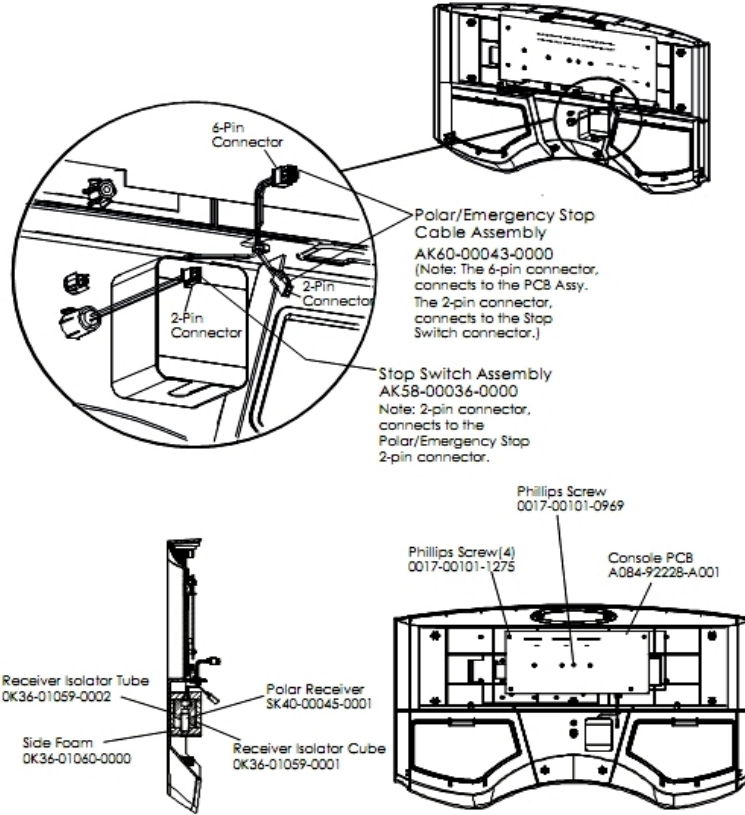
| Ref # | Part Number | Qty | Description |
|-------|-----------------|-----|------------------------------|
| - | AK26-00348-0000 | 1 | Cable: Jumper; Ground |
| - | AK26-00347-0000 | 1 | Cable Assembly - White |
| - | AK60-00037-0000 | 1 | Console Cable |
| - | AK60-00041-0000 | 1 | Wax Pump Cable |
| - | AK60-00038-0000 | 1 | Home Switch Cable |
| - | AK60-00103-0000 | 1 | Power Controller Cable: 120V |
| - | AK26-00346-0000 | 1 | Cable Assembly - Black |

Console Assembly 1



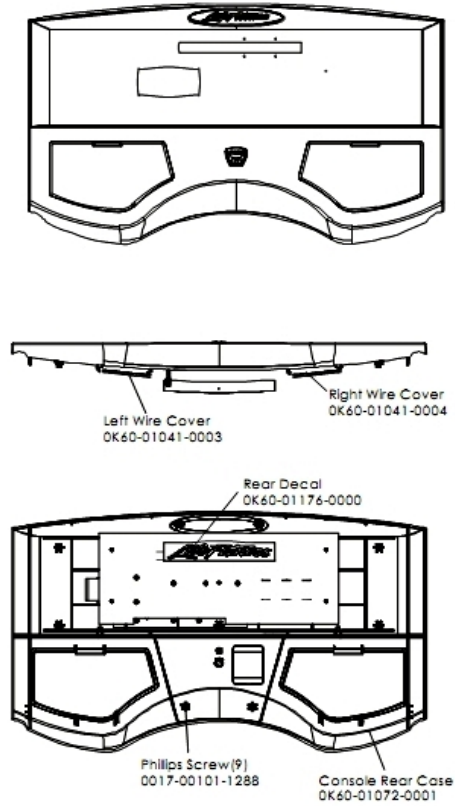
| Ref # | Part Number | Qty | Description |
|-------|-----------------|-----|---------------------------------|
| - | AK60-00213-0001 | 1 | Overlay/Bezel: English/Metric |
| - | AK60-00214-0001 | 1 | Console: English/Metric |
| - | 0017-00101-1275 | 1 | Hardware: Phillips Screw 0.375" |
| - | AK60-00101-0000 | 1 | Stop Key Tether Assembly |
| - | OK40-01070-0000 | 1 | Magnetic Disk |

Console Assembly 2



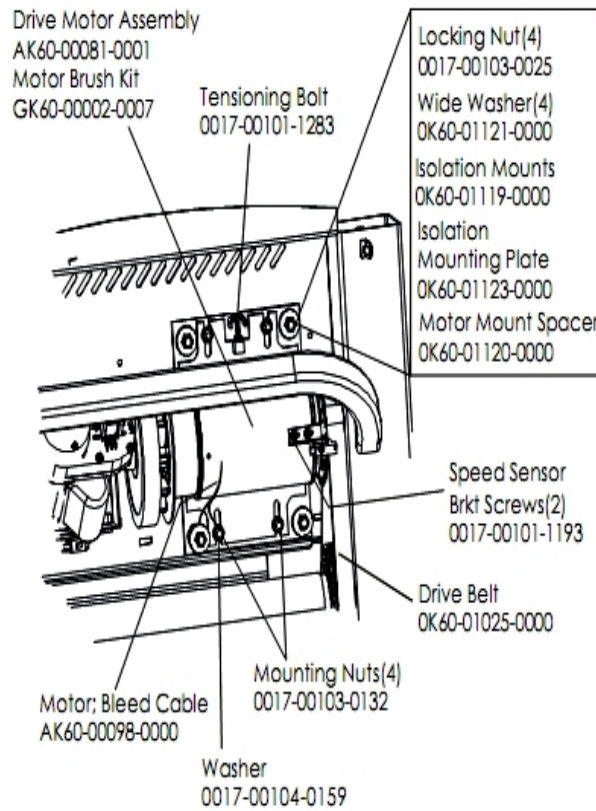
| Ref # | Part Number | Qty | Description |
|-------|-----------------|-----|---------------------------------------|
| - | 0017-00101-1275 | 4 | Hardware: Phillips Screw 0.375" |
| - | OK36-01060-0000 | 1 | Side Foam |
| - | AK58-00036-0000 | 1 | Cable-Assembly: Emergency-Stop Switch |
| - | SK40-00045-0001 | 1 | Polar HR Kit |
| - | OK36-01059-0002 | 1 | Insulator Receiver Tube |
| - | AK60-00043-0000 | 1 | Polar E-Stop Cable |
| - | OK36-01059-0001 | 1 | Isolator Receiver Cube |
| - | A084-92228-A001 | 1 | Console PCB |
| - | 0017-00101-0969 | 1 | Hardware: Phillips Screw |

Console Assembly 3



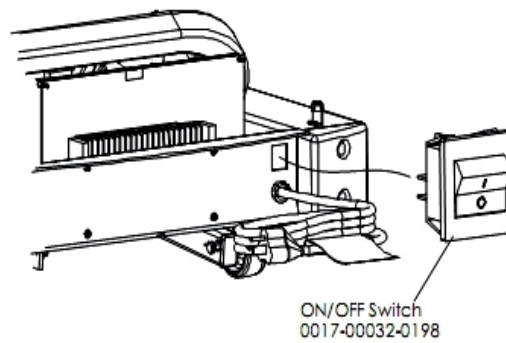
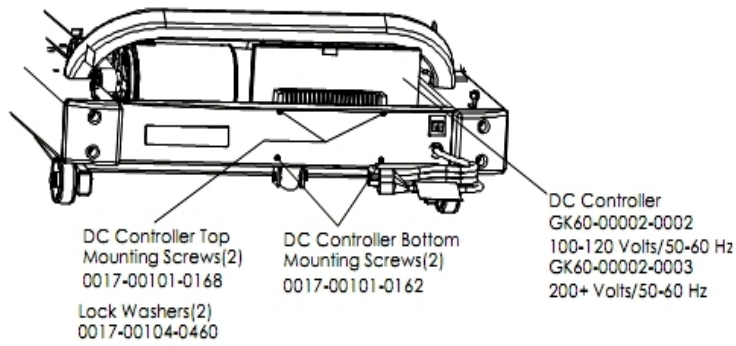
| Ref # | Part Number | Qty | Description |
|-------|-----------------|-----|-------------------------------|
| - | OK60-01072-0001 | 1 | Console Rear Case |
| - | OK60-01176-0000 | 1 | Rear Decal |
| - | OK60-01041-0003 | 1 | Left Wire Cover |
| - | OK60-01041-0004 | 1 | Right Wire Cover |
| - | 0017-00101-1288 | 9 | Hardware: Phillips Screw 0.5" |

Drive Motor Assembly



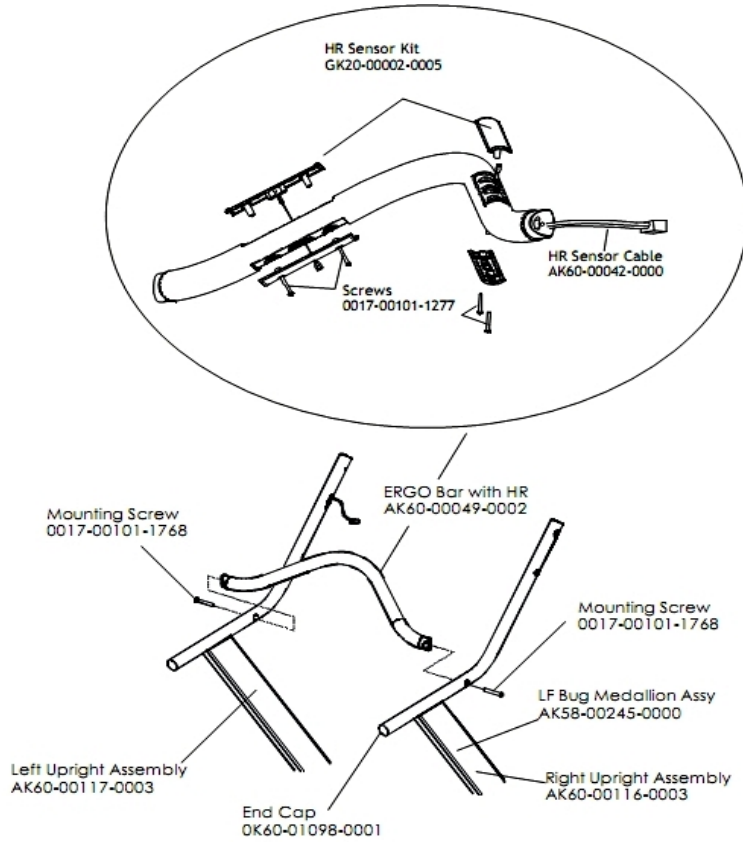
| Ref # | Part Number | Qty | Description |
|-------|-----------------|-----|---|
| - | 0017-00101-1283 | 1 | Hardware: Tensioning Bolt |
| - | OK60-01123-0000 | 1 | Isolation Mounting Plate |
| - | AK60-00098-0000 | 1 | Current Limit Wires |
| - | OK60-01119-0000 | 1 | Isolator Mount |
| - | OK60-01121-0000 | 4 | Hardware: Washer |
| - | 0017-00104-0159 | 1 | Hardware: Flat Washer 0.75" OD |
| - | OK60-01120-0000 | 1 | Motor Mount Spacer |
| - | GK60-00002-0015 | 1 | Kit: Activate Treadmill Belt And Pulley |
| - | 0017-00101-1193 | 2 | Hardware: Screw 0.375" |
| - | AK60-00081-0001 | 1 | Drive Motor Assembly |
| - | 0017-00103-0025 | 4 | Hardware: Locking Nut 3/8" ID |
| - | 0017-00103-0132 | 4 | Hardware: Mounting Nut |
| - | GK60-00002-0007 | 1 | Motor Brush Kit |

DC Controller and On/Off Switch



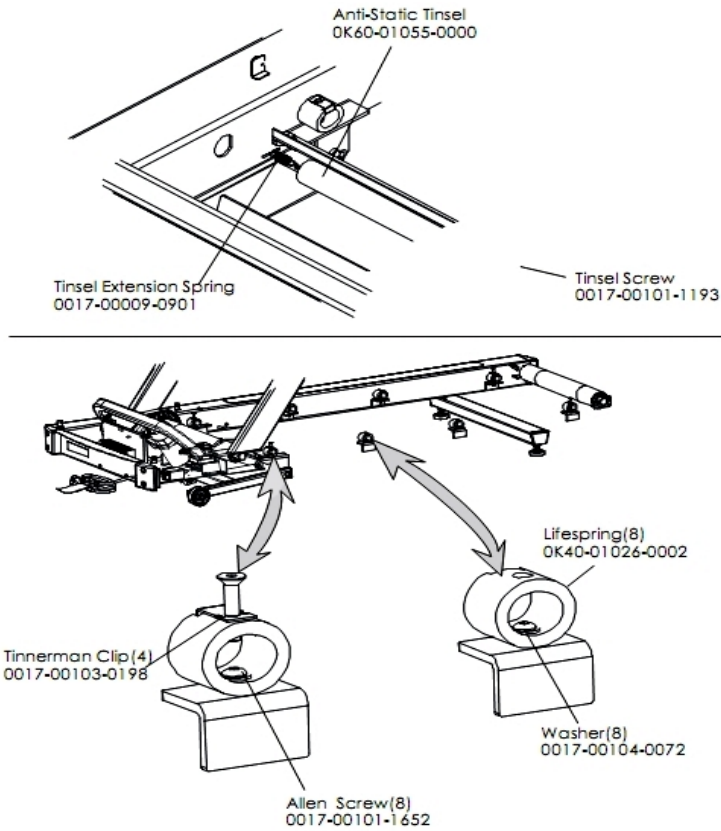
| Ref # | Part Number | Qty | Description |
|-------|-----------------|-----|---|
| - | 0017-00104-0460 | 2 | Hardware: Lockwasher 0.562" OD |
| - | 0017-00101-0168 | 2 | Hardware: DC Controller Mounting Screws |
| - | 0017-00101-0162 | 2 | Hardware: Screw 0.375" |
| - | 0017-00032-0198 | 1 | On/Off Switch 22A |
| - | GK60-00002-0002 | 1 | DC Controller (100-120 Volts) |

Ergo Bar and Upright Assembly



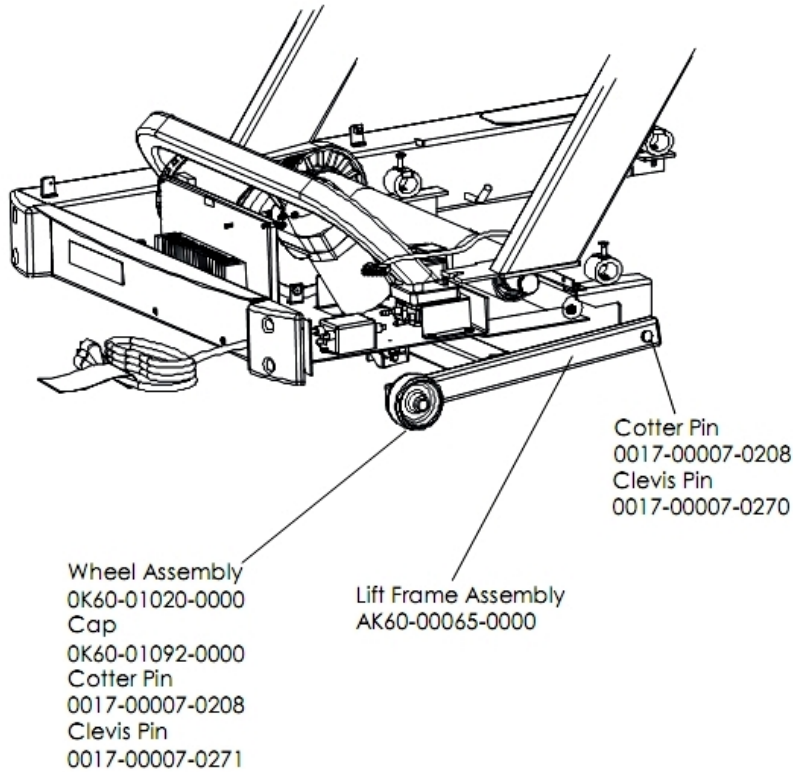
| Ref # | Part Number | Qty | Description |
|-------|-----------------|-----|------------------------------------|
| - | 0017-00101-1768 | 2 | Hardware: Mounting Screw |
| - | 0017-00101-1277 | 4 | Hardware: Sensor Mounting Screw 1" |
| - | AK60-00117-0003 | 1 | Upright Assembly: Left |
| - | OK60-01098-0001 | 4 | End Cap |
| - | AK58-00245-0000 | 1 | Bug Medallion |
| - | GK20-0002-0005 | 1 | Heart Rate Electrode Kit |
| - | AK60-0049-0002 | 1 | ERGO Bar with Heart Rate Sensor |
| - | AK60-0042-0000 | 1 | Heart Rate Cable |
| - | AK60-00116-0003 | 1 | Upright Assembly: Right |

Lifesprings and Anti-Static Tinsel



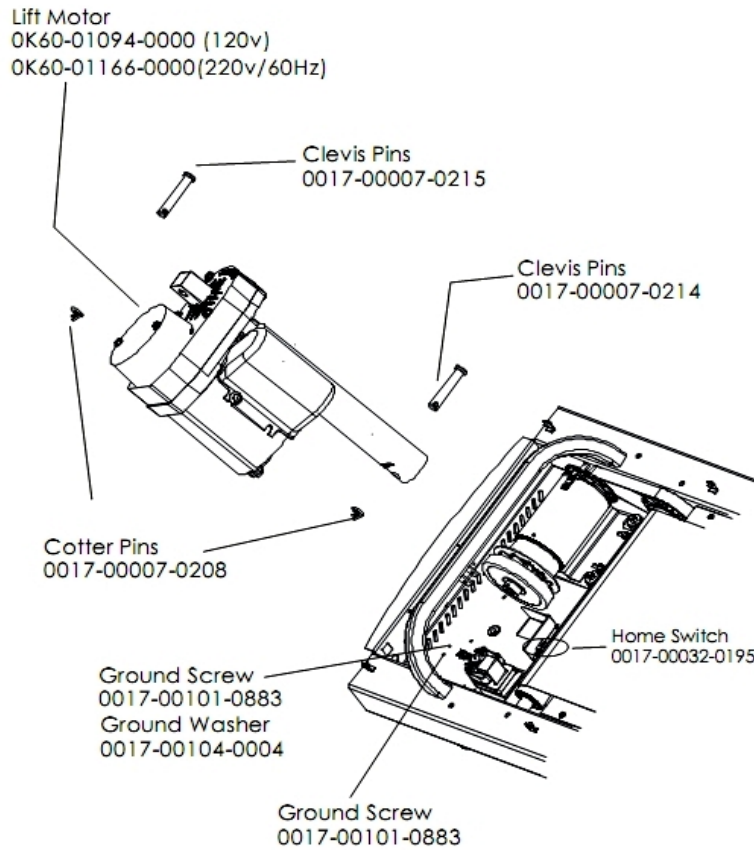
| Ref # | Part Number | Qty | Description |
|-------|-----------------|-----|------------------------------------|
| - | 0017-00101-1193 | 1 | Hardware: Screw 0.375" |
| - | 0017-00009-0901 | 1 | Tinsel Extension Spring |
| - | OK60-01055-0000 | 1 | Anti-Static Tinsel |
| - | 0017-00101-1652 | 8 | Hardware: Spring Mounting Screw 1" |
| - | 0017-00103-0198 | 4 | Hardware: Tinnerman Clip 1/4" ID |
| - | 0017-00104-0072 | 8 | Hardware: Flat Washer 0.562" OD |
| - | OK40-01026-0002 | 8 | Deck Spring |

Life Frame Assembly



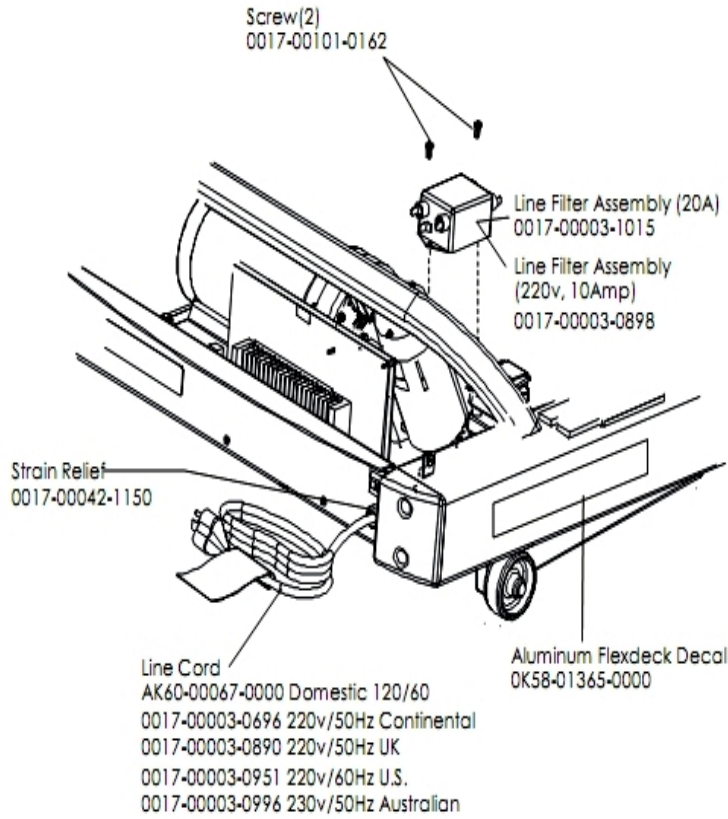
| Ref # | Part Number | Qty | Description |
|-------|-----------------|-----|---------------------------------------|
| - | 0017-00007-0271 | 2 | Hardware: Clevis Pin - 1/2" D 2.75" L |
| - | AK60-00065-0000 | 1 | Lift Frame Assembly |
| - | 6836601 | 2 | Cap, End 1 X 1-1/2 11 GA |
| - | 0017-00007-0270 | 2 | Hardware: Clevis Pin - 1/2" D 1.5" L |
| - | 0017-00007-0208 | 4 | Hardware: Cotter Pin |
| - | 0K60-01020-0000 | 1 | Wheel |

Lift Motor and Home Switch



| Ref # | Part Number | Qty | Description |
|-------|-----------------|-----|---------------------------------------|
| - | 0017-00032-0195 | 1 | Home Switch |
| - | OK60-01166-0000 | 1 | Lift Motor (220v) |
| - | 0017-00104-0004 | 1 | Hardware: Washer |
| - | 0017-00007-0215 | 1 | Hardware: Clevis Pin - 3/8" D 2.25" L |
| - | 0017-00007-0214 | 1 | Hardware: Clevis Pin 3/8" D 1.75" L |
| - | 0017-00007-0208 | 2 | Hardware: Cotter Pin |
| - | 0017-00101-0883 | 2 | Hardware: Screw 0.375" |

Line Cord and Line Filter

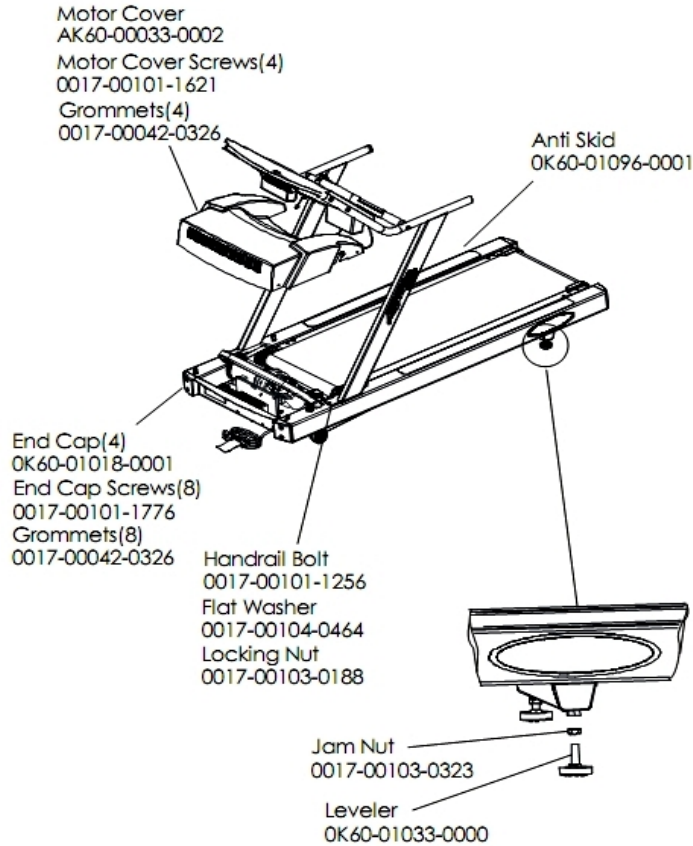


| Ref # | Part Number | Qty | Description |
|-------|-----------------|-----|--|
| - | 0017-00003-1015 | 1 | 20 amp Line Filter (DOM) |
| - | OK58-01365-0000 | 1 | Decal |
| - | 0017-00003-0696 | 1 | Line Cord: International High Voltage (Cont.) 103" |
| - | 0017-00101-0162 | 2 | Hardware: Screw 0.375" |
| - | 0017-00042-1150 | 1 | Strain Relief |

Miscellaneous

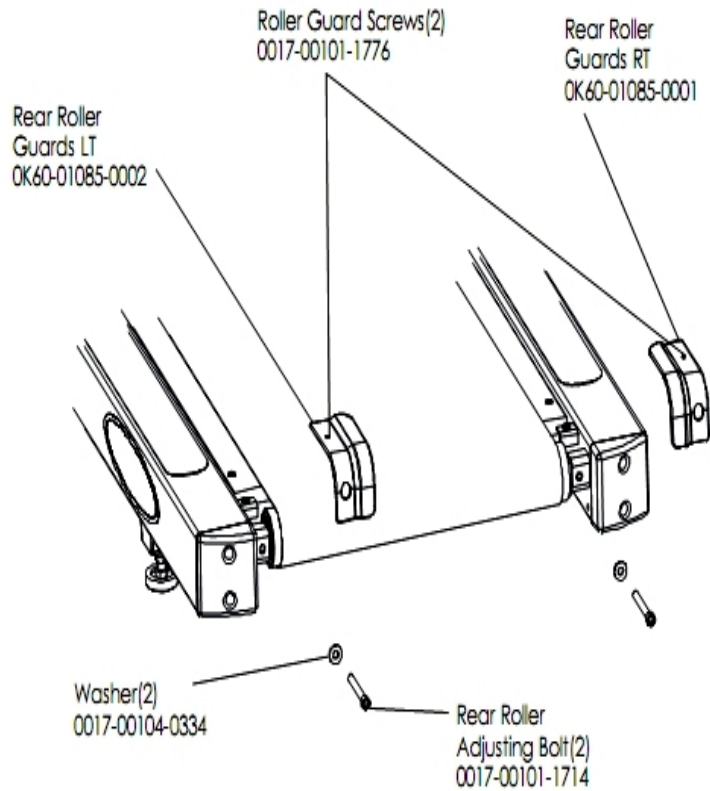
| Ref # | Part Number | Qty | Description |
|-------|-----------------|-----|-----------------------------------|
| - | 0017-00042-1151 | 1 | Push Rivets |
| - | 0017-00101-1256 | 1 | Hardware: Mounting Bolt 5" |
| - | AK60-00161-0000 | 1 | Hardware Bag |
| - | 0017-00104-0464 | 1 | Hardware: Flat Washer 0.734" OD |
| - | OK60-01098-0001 | 1 | End Cap |
| - | 0017-00101-1776 | 1 | Hardware: Mounting Screw 0.5" |
| - | 0017-00101-1767 | 1 | Hardware: Mounting Screws(4) |
| - | 0017-00101-1768 | 1 | Hardware: Mounting Screw |
| - | 0017-00103-0188 | 1 | Hardware: Flange Lock Nut 3/8" ID |
| - | 0017-00008-0206 | 1 | .33oz Pen - Arctic Silver |
| - | AK32-00020-0002 | 1 | Coax Cable: 120" |
| - | AK32-00078-0001 | 1 | Power Extension Cable: 120" |
| - | 0017-00021-2846 | 1 | F-Type Panel Connector |
| - | 0017-00008-0205 | 1 | 5 oz Bottle - Arctic Silver |
| - | 0017-00008-0204 | 1 | Paint Spray Can - Arctic Silver |

Motor Cover, Leveler and End Caps



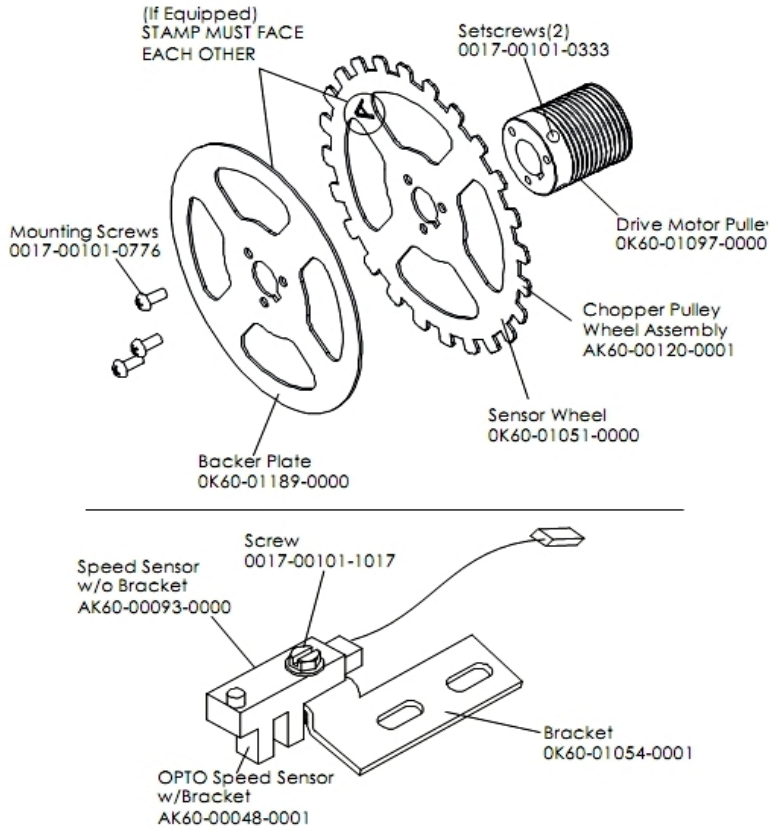
| Ref # | Part Number | Qty | Description |
|-------|-----------------|-----|-----------------------------------|
| - | 0017-00101-1621 | 4 | Hardware: Phillips Screw 0.5" |
| - | AK60-00033-0002 | 1 | Motor Cover |
| - | OK60-01096-0001 | 2 | Anti Skid |
| - | 0017-00101-1776 | 8 | Hardware: Mounting Screw 0.5" |
| - | 0017-00103-0323 | 2 | Hardware: Nut 1/2" ID |
| - | 0017-00104-0464 | 2 | Hardware: Flat Washer 0.734" OD |
| - | OK60-01018-0001 | 4 | End Cap |
| - | 0017-00042-0326 | 12 | Hardware: Plastic Grommet |
| - | OK60-01033-0000 | 2 | Leg Leveler |
| - | 0017-00101-1256 | 2 | Hardware: Mounting Bolt 5" |
| - | 0017-00103-0188 | 2 | Hardware: Flange Lock Nut 3/8" ID |

Rear Roller Guards



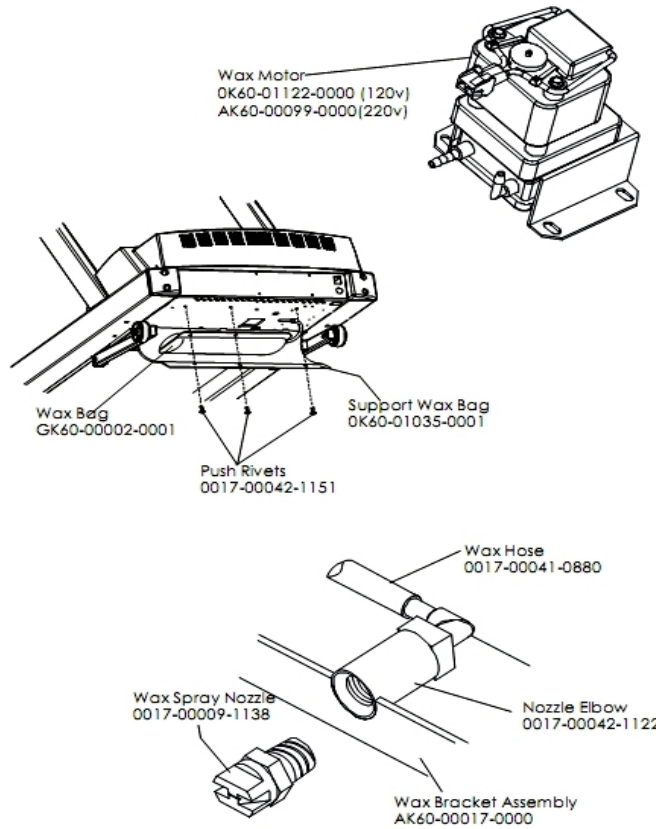
| Ref # | Part Number | Qty | Description |
|-------|-----------------|-----|--------------------------------------|
| - | 0017-00101-1779 | 2 | Hardware: Rear Roller Adjusting Bolt |
| - | OK60-01085-0001 | 1 | Roller Guard: Right |
| - | 0017-00101-1776 | 2 | Hardware: Mounting Screw 0.5" |
| - | 0017-00104-0334 | 2 | Hardware: Flat Washers 0.880" OD |
| - | OK60-01085-0002 | 1 | Roller Guard: Left |

Sensor and Sensor Wheel Assembly



| Ref # | Part Number | Qty | Description |
|-------|-----------------|-----|--------------------------------|
| - | AK60-00120-0001 | 1 | Chopper Pulley Wheel Assembly |
| - | AK60-00048-0001 | 1 | OPTO Speed Sensor with Bracket |
| - | OK60-01051-0000 | 1 | Sensor Wheel |
| - | OK60-01054-0001 | 1 | Bracket |
| - | OK60-01189-0000 | 1 | Backer Plate |
| - | 0017-00101-0776 | 3 | Hardware: Mounting Screws |
| - | AK60-00093-0000 | 1 | Speed Sensor without Bracket |
| - | 0017-00101-1017 | 1 | Hardware: Leg Cover Screws |
| - | 0017-00101-0333 | 2 | Hardware: Screw 0.3125" |
| - | OK60-01097-0000 | 1 | Drive Motor Pulley |

Wax Motor, Wax Bag, Wax Nozzle and Bracket



| Ref # | Part Number | Qty | Description |
|-------|-----------------|-----|---------------------|
| - | 0017-00042-1151 | 3 | Push Rivets |
| - | AK60-00099-0000 | 1 | Wax Motor: 220V |
| - | OK60-01035-0001 | 1 | Support Wax Bag |
| - | 0017-00009-1138 | 1 | Wax Spray Nozzle |
| - | GK60-00002-0001 | 1 | Wax Bag |
| - | 0017-00042-1122 | 1 | Nozzle Elbow |
| - | 0017-00041-0880 | 1 | Wax Hose |
| - | AK60-00017-0000 | 1 | Wax Nozzle Assembly |

