

90T Treadmill - 3HP DC - Arctic Silver

90T-0104-02

Parts Manual

1/5/2019 6:28:10 AM

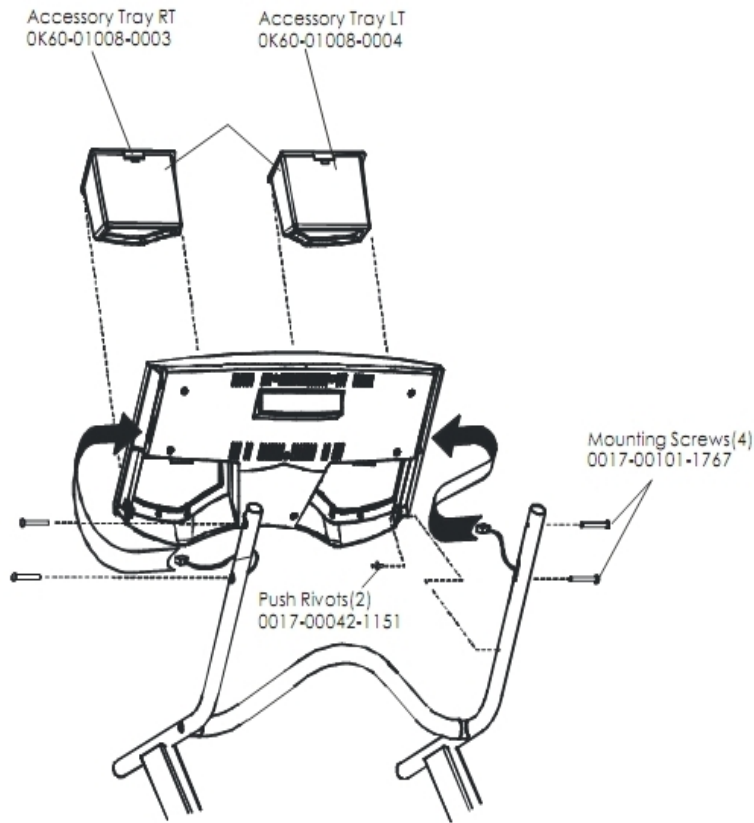


LifeFitness
WHAT WE LIVE FOR

Table of Contents

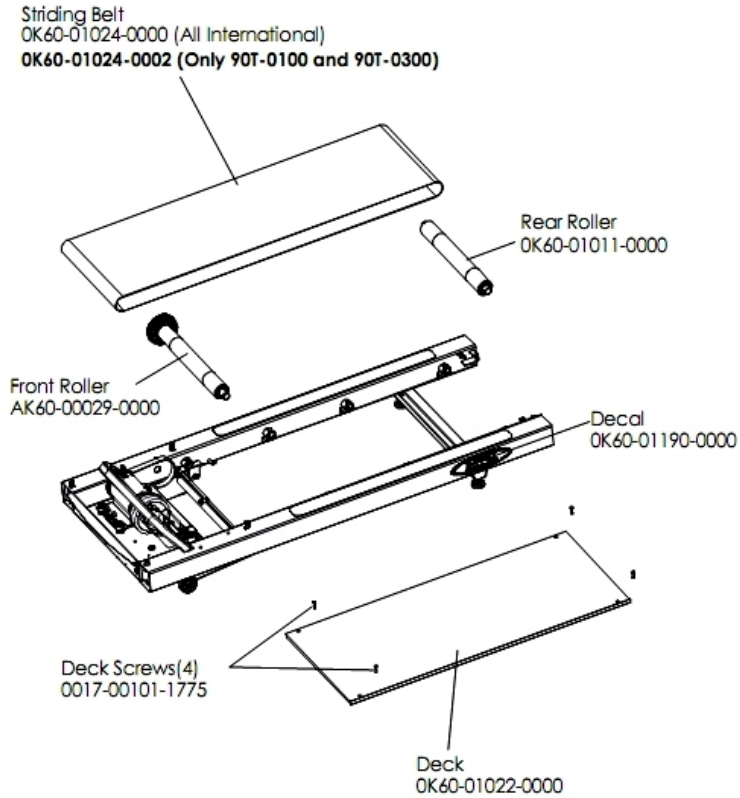
Accessory Trays	3
Belt, Deck, and Rollers	4
Cables	5
Console Assembly 1	6
Console Assembly 2	7
Console Assembly 3	8
Drive Motor Assembly	9
DC Controller and On/Off Switch	10
Ergo Bar and Upright Assembly	11
Lifesprings and Anti-Static Tinsel	12
Life Frame Assembly	13
Lift Motor and Home Switch	14
Line Cord and Line Filter	15
Miscellaneous	16
Motor Cover, Leveler and End Caps	17
Rear Roller Guards	18
Sensor and Sensor Wheel Assembly	19
Wax Motor, Wax Bag, Wax Nozzle and Bracket	20

Accessory Trays



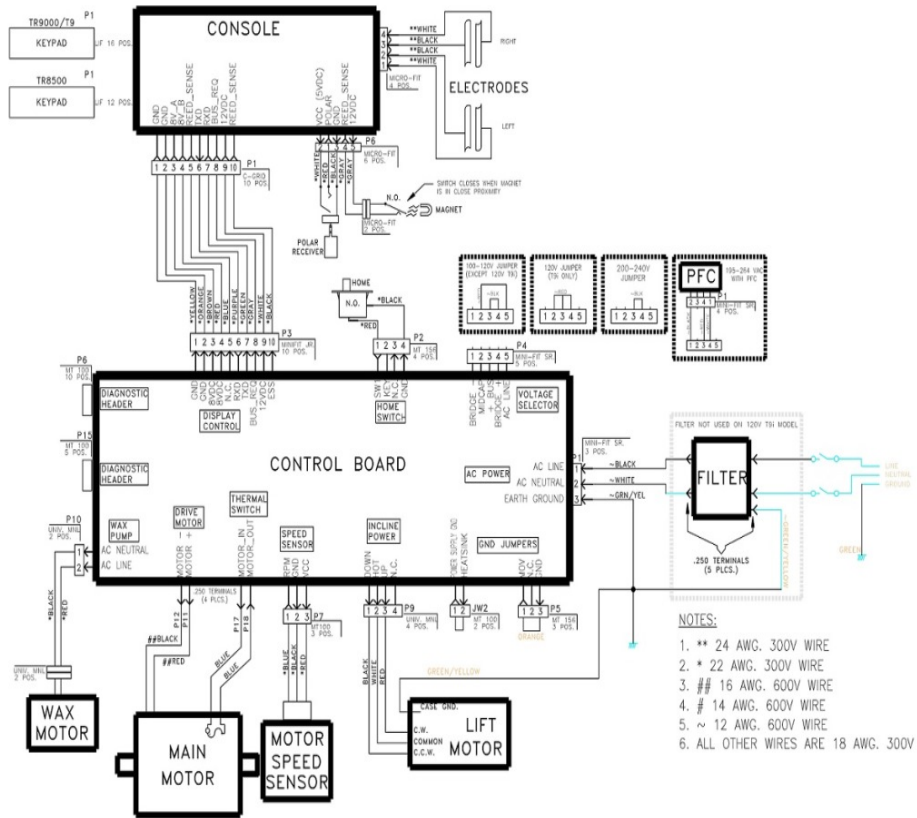
Ref #	Part Number	Qty	Description
-	0017-00042-1151	2	Push Rivets
-	OK60-01008-0003	1	Accessory Tray Right
-	OK60-01008-0004	1	Accessory Tray Left
-	0017-00101-1767	4	Hardware: Mounting Screws(4)

Belt, Deck, and Rollers



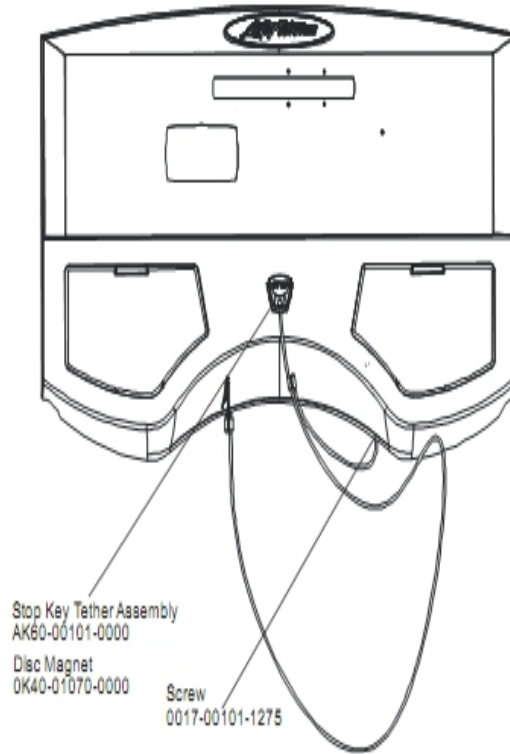
Ref #	Part Number	Qty	Description
-	OK60-01022-0000	1	Deck
-	OK60-01011-0000	1	Rear Roller
-	0017-00101-1775	4	Hardware: Deck Screws 1.25"
-	OK60-01190-0000	2	Decal
-	AK60-00029-0000	1	Front Roller Assembly
-	OK60-01024-0000	1	Striding Belt

Cables



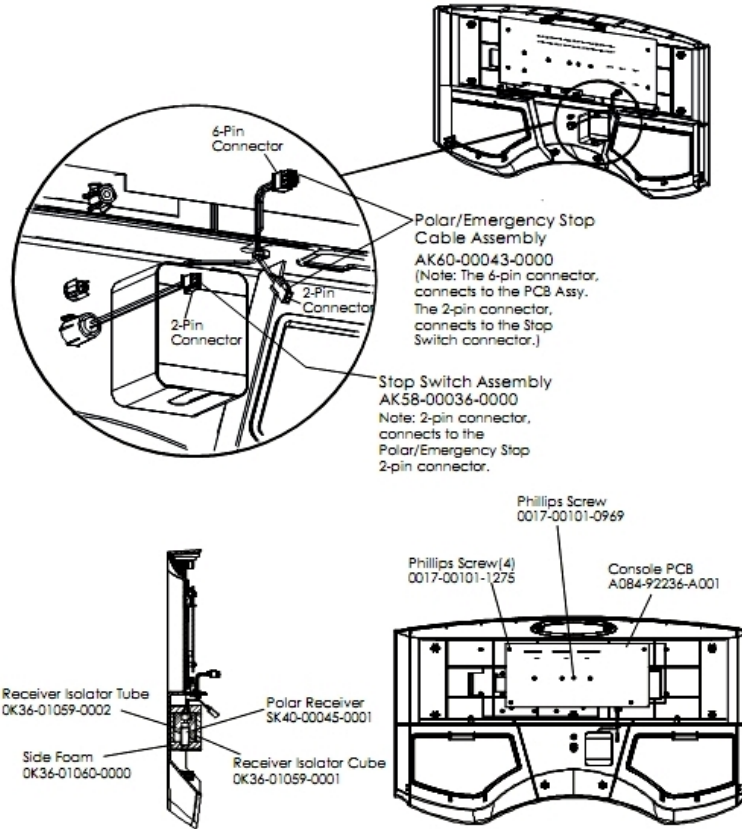
Ref #	Part Number	Qty	Description
-	AK26-00347-0000	1	Cable Assembly - White
-	AK60-00038-0000	1	Home Switch Cable
-	AK26-00348-0000	1	Cable: Jumper; Ground
-	AK26-00346-0000	1	Cable Assembly - Black
-	AK60-00037-0000	1	Console Cable
-	AK60-00041-0000	1	Wax Pump Cable
-	AK60-00104-0000	1	Power Controller Cable: 220V

Console Assembly 1



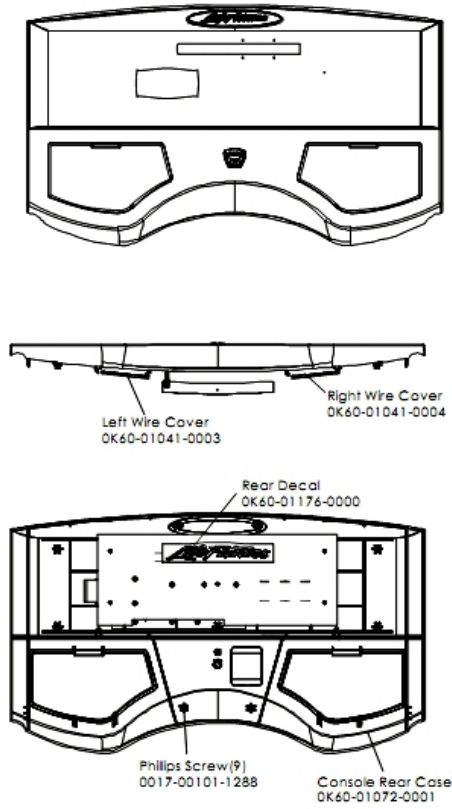
Ref #	Part Number	Qty	Description
-	AK60-00101-0000	1	Stop Key Tether Assembly
-	OK40-01070-0000	1	Magnetic Disk
-	AK60-00112-0001	1	Console: English/Metric
-	AK60-00109-0001	1	Overlay/Bezel: English/Metric
-	0017-00101-1275	1	Hardware: Phillips Screw 0.375"

Console Assembly 2



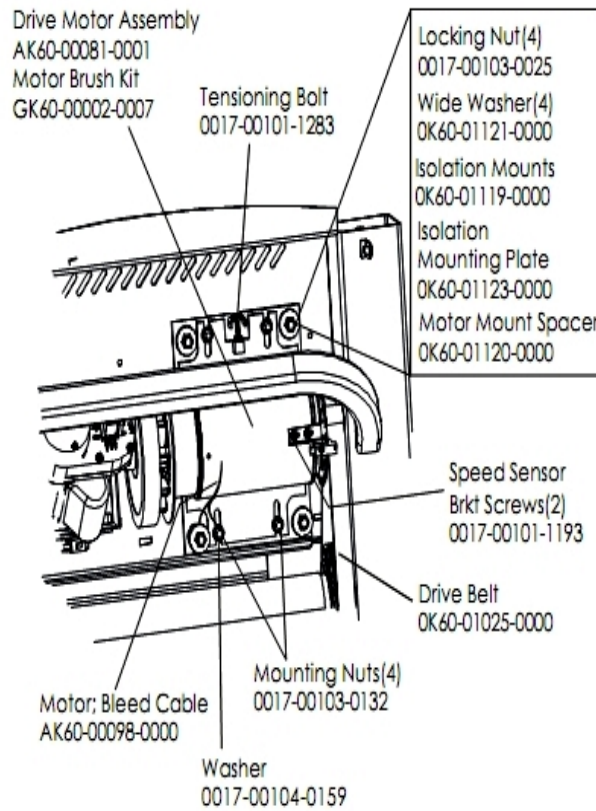
Ref #	Part Number	Qty	Description
-	OK36-01059-0002	1	Insulator Receiver Tube
-	OK36-01059-0001	1	Isolator Receiver Cube
-	OK36-01060-0000	1	Side Foam
-	0017-00101-1275	4	Hardware: Phillips Screw 0.375"
-	AK58-00036-0000	1	Cable-Assembly: Emergency-Stop Switch
-	AK60-00043-0000	1	Polar E-Stop Cable
-	A084-92236-A001	1	Console PCB
-	0017-00101-0969	1	Hardware: Phillips Screw
-	SK40-00045-0001	1	Polar HR Kit

Console Assembly 3



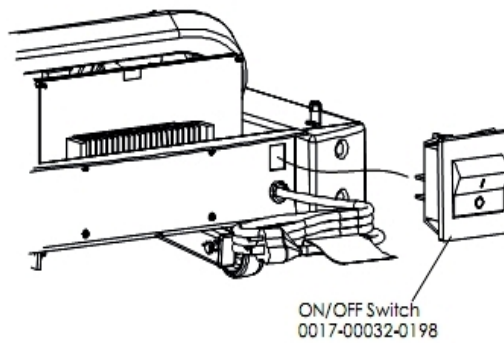
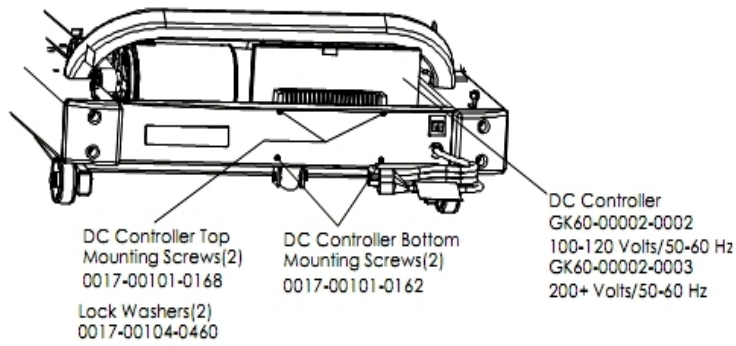
Ref #	Part Number	Qty	Description
-	0017-00101-1288	9	Hardware: Phillips Screw 0.5"
-	OK60-01176-0000	1	Rear Decal
-	OK60-01072-0001	1	Console Rear Case
-	OK60-01041-0003	1	Left Wire Cover
-	OK60-01041-0004	1	Right Wire Cover

Drive Motor Assembly



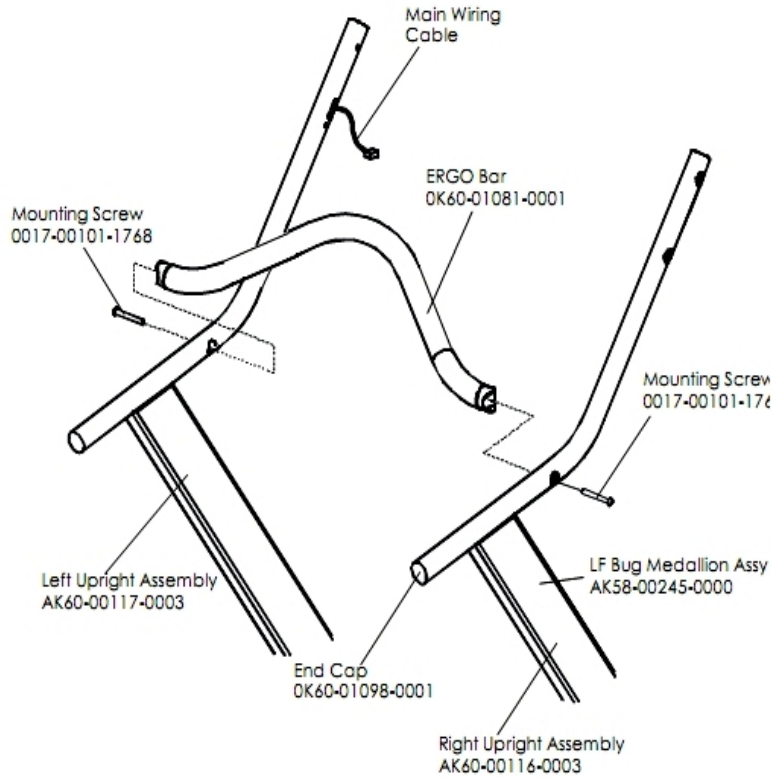
Ref #	Part Number	Qty	Description
-	OK60-01119-0000	1	Isolator Mount
-	OK60-01121-0000	4	Hardware: Washer
-	AK60-00098-0000	1	Current Limit Wires
-	0017-00101-1193	2	Hardware: Screw 0.375"
-	0017-00101-1283	1	Hardware: Tensioning Bolt
-	0017-00104-0159	1	Hardware: Flat Washer 0.75" OD
-	GK60-00002-0007	1	Motor Brush Kit
-	0017-00103-0132	4	Hardware: Mounting Nut
-	OK60-01120-0000	1	Motor Mount Spacer
-	GK60-00002-0015	1	Kit: Activate Treadmill Belt And Pulley
-	OK60-01123-0000	1	Isolation Mounting Plate
-	AK60-00081-0001	1	Drive Motor Assembly
-	0017-00103-0025	4	Hardware: Locking Nut 3/8" ID

DC Controller and On/Off Switch



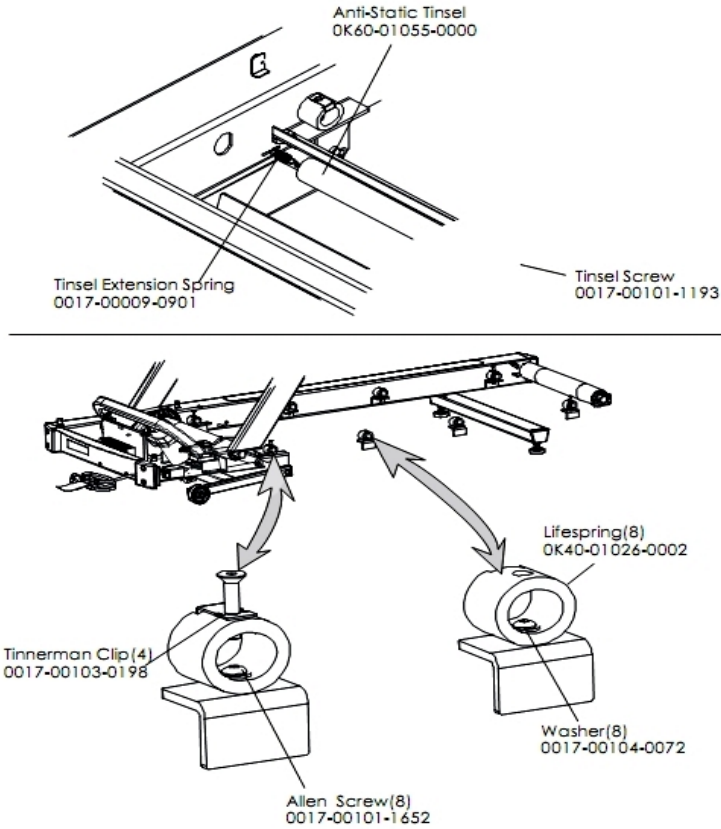
Ref #	Part Number	Qty	Description
-	0017-00101-0162	2	Hardware: Screw 0.375"
-	GK60-00002-0003	1	DC Controller 200+ Volts/50-60 Hz
-	0017-00101-0168	2	Hardware: DC Controller Mounting Screws
-	0017-00104-0460	2	Hardware: Lockwasher 0.562" OD
-	0017-00032-0198	1	On/Off Switch 22A

Ergo Bar and Upright Assembly



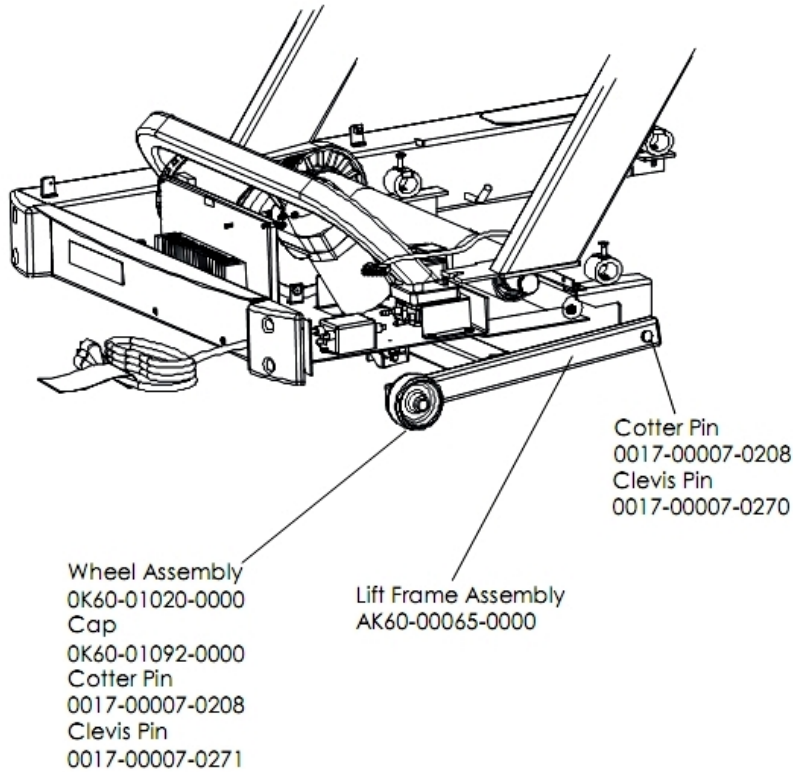
Ref #	Part Number	Qty	Description
-	OK60-01081-0001	1	Ergo Bar
-	AK60-00117-0003	1	Upright Assembly: Left
-	OK60-01098-0001	4	End Cap
-	AK60-00116-0003	1	Upright Assembly: Right
-	0017-00101-1768	2	Hardware: Mounting Screw
-	AK58-00245-0000	1	Bug Medallion

Lifesprings and Anti-Static Tinsel



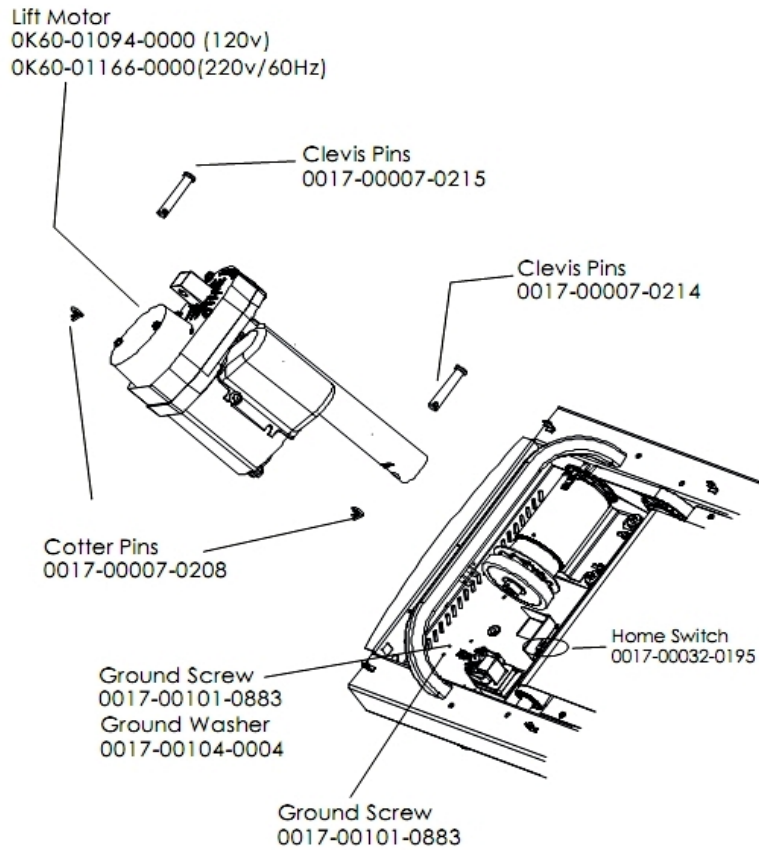
Ref #	Part Number	Qty	Description
-	OK60-01055-0000	1	Anti-Static Tinsel
-	0017-00009-0901	1	Tinsel Extension Spring
-	OK40-01026-0002	8	Deck Spring
-	0017-00103-0198	4	Hardware: Tinnerman Clip 1/4" ID
-	0017-00101-1193	1	Hardware: Screw 0.375"
-	0017-00101-1652	8	Hardware: Spring Mounting Screw 1"
-	0017-00104-0072	8	Hardware: Flat Washer 0.562" OD

Life Frame Assembly



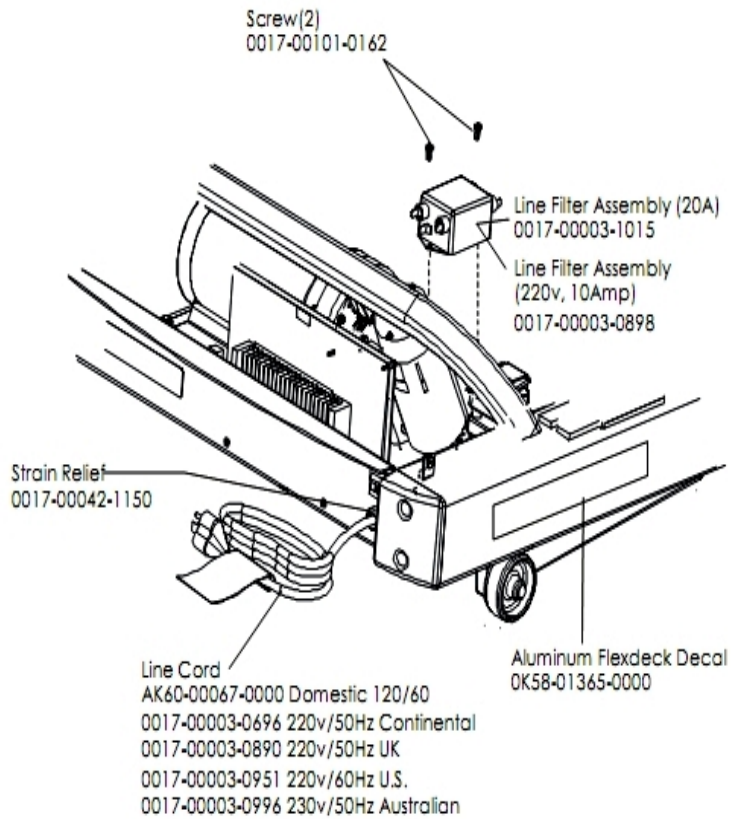
Ref #	Part Number	Qty	Description
-	0017-00007-0271	2	Hardware: Clevis Pin - 1/2" D 2.75" L
-	6836601	2	Cap, End 1 X 1-1/2 11 GA
-	AK60-00065-0000	1	Lift Frame Assembly
-	0017-00007-0208	4	Hardware: Cotter Pin
-	0K60-01020-0000	1	Wheel
-	0017-00007-0270	2	Hardware: Clevis Pin - 1/2" D 1.5" L

Lift Motor and Home Switch



Ref #	Part Number	Qty	Description
-	0017-00101-0883	2	Hardware: Screw 0.375"
-	0017-00032-0195	1	Home Switch
-	OK60-01166-0000	1	Lift Motor (220v)
-	0017-00104-0004	1	Hardware: Washer
-	0017-00007-0214	1	Hardware: Clevis Pin 3/8" D 1.75" L
-	0017-00007-0215	1	Hardware: Clevis Pin - 3/8" D 2.25" L
-	0017-00007-0208	2	Hardware: Cotter Pin

Line Cord and Line Filter

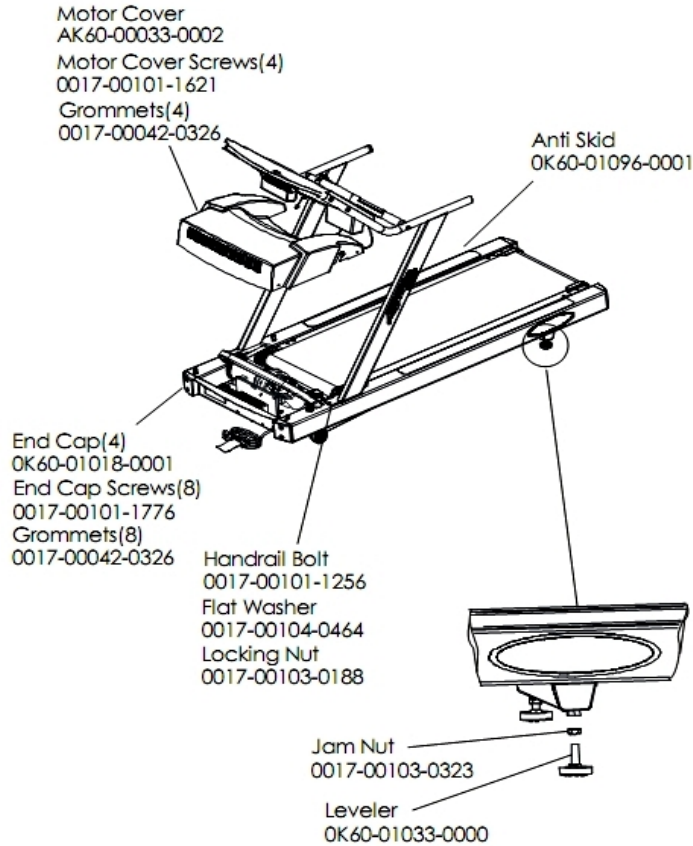


Ref #	Part Number	Qty	Description
-	OK58-01365-0000	1	Decal
-	0017-00003-0996	1	Line Cord: Australia 230/50
-	0017-00003-0898	1	10 amp Line Filter (INT)
-	0017-00101-0162	2	Hardware: Screw 0.375"
-	0017-00042-1150	1	Strain Relief
-	0017-00003-1015	1	20 amp Line Filter (DOM)

Miscellaneous

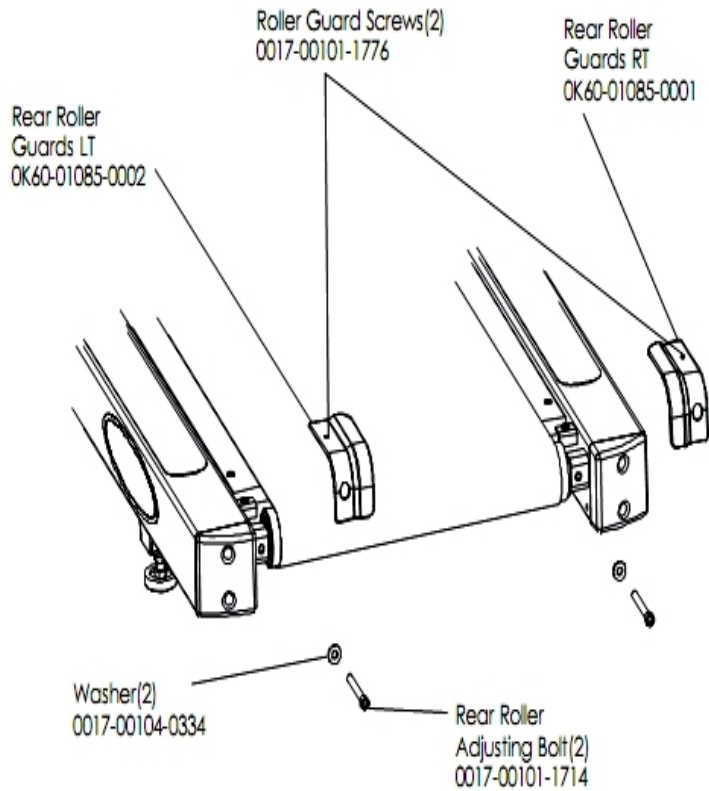
Ref #	Part Number	Qty	Description
-	0017-00101-1256	4	Hardware: Mounting Bolt 5"
-	0K60-01098-0001	4	End Cap
-	0017-00101-1776	10	Hardware: Mounting Screw 0.5"
-	0017-00101-1767	4	Hardware: Mounting Screws(4)
-	AK60-00054-0002	1	Hardware Bag
-	0017-00008-0206	1	.33oz Pen - Arctic Silver
-	0017-00042-1151	5	Push Rivets
-	0017-00104-0464	4	Hardware: Flat Washer 0.734" OD
-	0017-00008-0204	1	Paint Spray Can - Arctic Silver
-	0017-00103-0188	4	Hardware: Flange Lock Nut 3/8" ID
-	0017-00008-0205	1	5 oz Bottle - Arctic Silver
-	0017-00101-1768	2	Hardware: Mounting Screw

Motor Cover, Leveler and End Caps



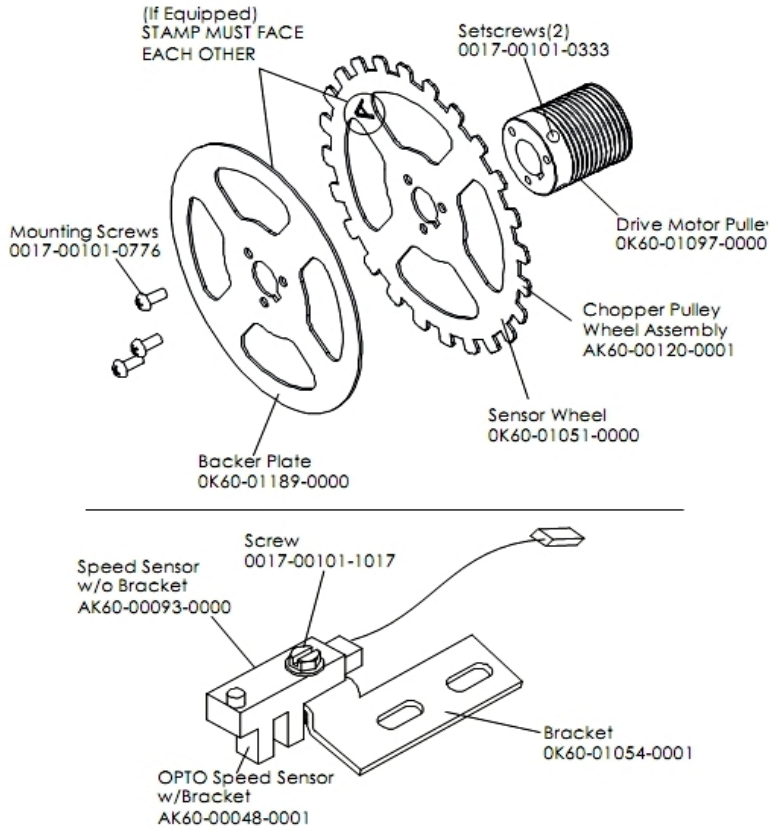
Ref #	Part Number	Qty	Description
-	0017-00104-0464	2	Hardware: Flat Washer 0.734" OD
-	0017-00101-1776	8	Hardware: Mounting Screw 0.5"
-	0017-00103-0323	2	Hardware: Nut 1/2" ID
-	0017-00101-1621	4	Hardware: Phillips Screw 0.5"
-	0017-00103-0188	2	Hardware: Flange Lock Nut 3/8" ID
-	OK60-01018-0001	4	End Cap
-	0017-00042-0326	12	Hardware: Plastic Grommet
-	AK60-00033-0002	1	Motor Cover
-	OK60-01096-0001	2	Anti Skid
-	0017-00101-1256	2	Hardware: Mounting Bolt 5"
-	OK60-01033-0000	2	Leg Leveler

Rear Roller Guards



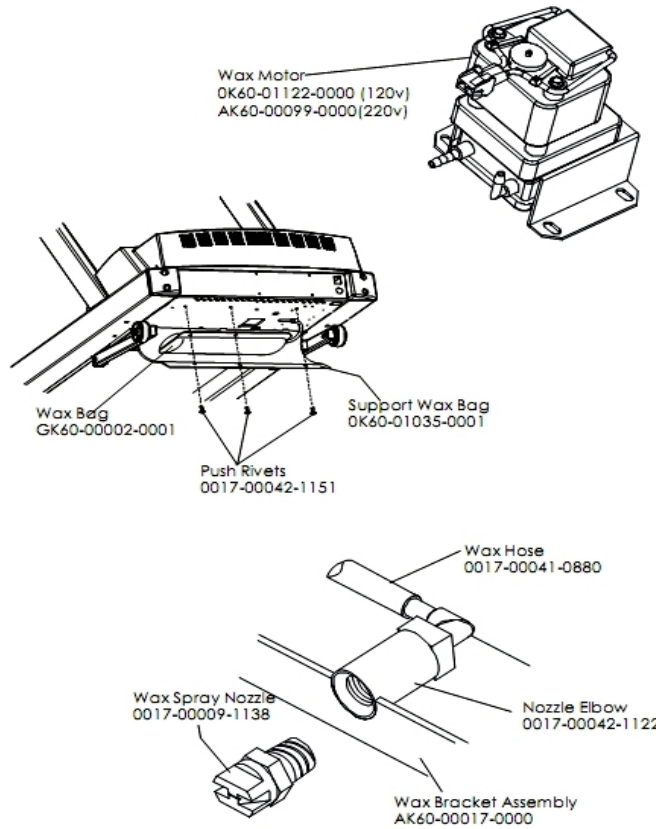
Ref #	Part Number	Qty	Description
-	0017-00101-1779	2	Hardware: Rear Roller Adjusting Bolt
-	OK60-01085-0001	1	Roller Guard: Right
-	0017-00101-1776	2	Hardware: Mounting Screw 0.5"
-	0017-00104-0334	2	Hardware: Flat Washers 0.880" OD
-	OK60-01085-0002	1	Roller Guard: Left

Sensor and Sensor Wheel Assembly



Ref #	Part Number	Qty	Description
-	AK60-00120-0001	1	Chopper Pulley Wheel Assembly
-	AK60-00048-0001	1	OPTO Speed Sensor with Bracket
-	OK60-01051-0000	1	Sensor Wheel
-	OK60-01054-0001	1	Bracket
-	0017-00101-0333	2	Hardware: Screw 0.3125"
-	0017-00101-0776	3	Hardware: Mounting Screws
-	AK60-00093-0000	1	Speed Sensor without Bracket
-	0017-00101-1017	1	Hardware: Leg Cover Screws
-	OK60-01189-0000	1	Backer Plate
-	OK60-01097-0000	1	Drive Motor Pulley

Wax Motor, Wax Bag, Wax Nozzle and Bracket



Ref #	Part Number	Qty	Description
-	0017-00042-1151	3	Push Rivets
-	AK60-00099-0000	1	Wax Motor: 220V
-	OK60-01035-0001	1	Support Wax Bag
-	0017-00009-1138	1	Wax Spray Nozzle
-	GK60-00002-0001	1	Wax Bag
-	0017-00042-1122	1	Nozzle Elbow
-	0017-00041-0880	1	Wax Hose
-	AK60-00017-0000	1	Wax Nozzle Assembly

