

90T Treadmill - English/Metric 240V (AUS)

90T-0104-05

Parts Manual

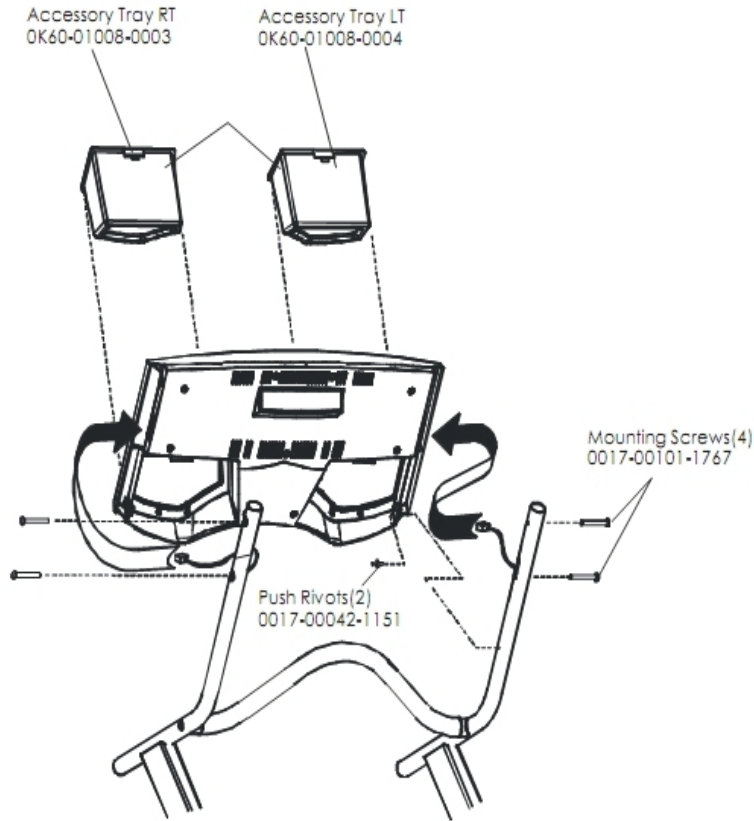
1/5/2019 6:28:11 AM



Table of Contents

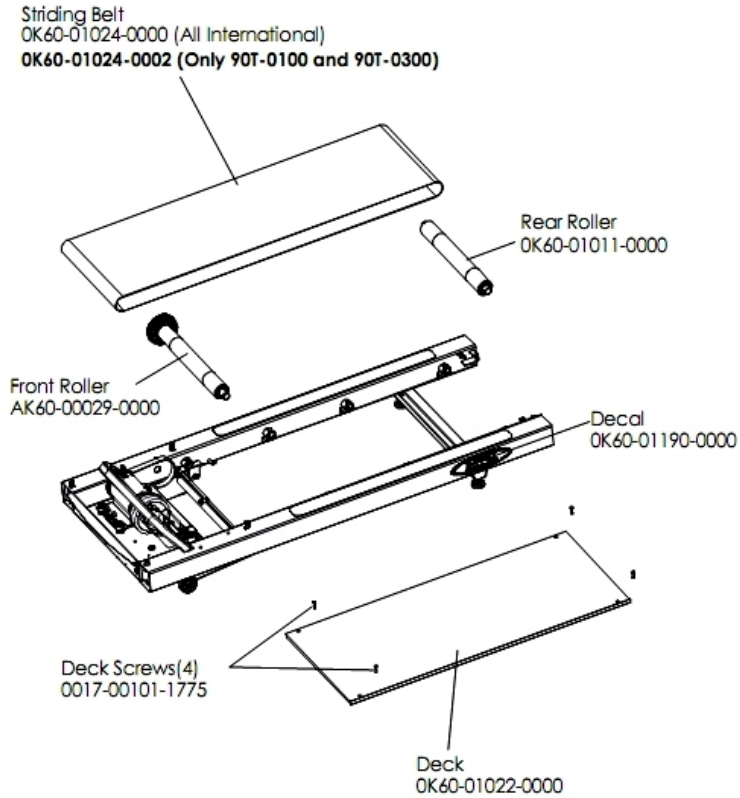
Accessory Trays	3
Belt, Deck, and Rollers	4
Cables	5
Console Assembly 1	6
Console Assembly 2	7
Console Assembly 3	8
Drive Motor Assembly	9
DC Controller and On/Off Switch	10
Ergo Bar and Upright Assembly	11
Lifesprings and Anti-Static Tinsel	12
Life Frame Assembly	13
Lift Motor and Home Switch	14
Line Cord and Line Filter	15
Miscellaneous	16
Motor Cover, Leveler and End Caps	17
Rear Roller Guards	18
Sensor and Sensor Wheel Assembly	19
Wax Motor, Wax Bag, Wax Nozzle and Bracket	20

Accessory Trays



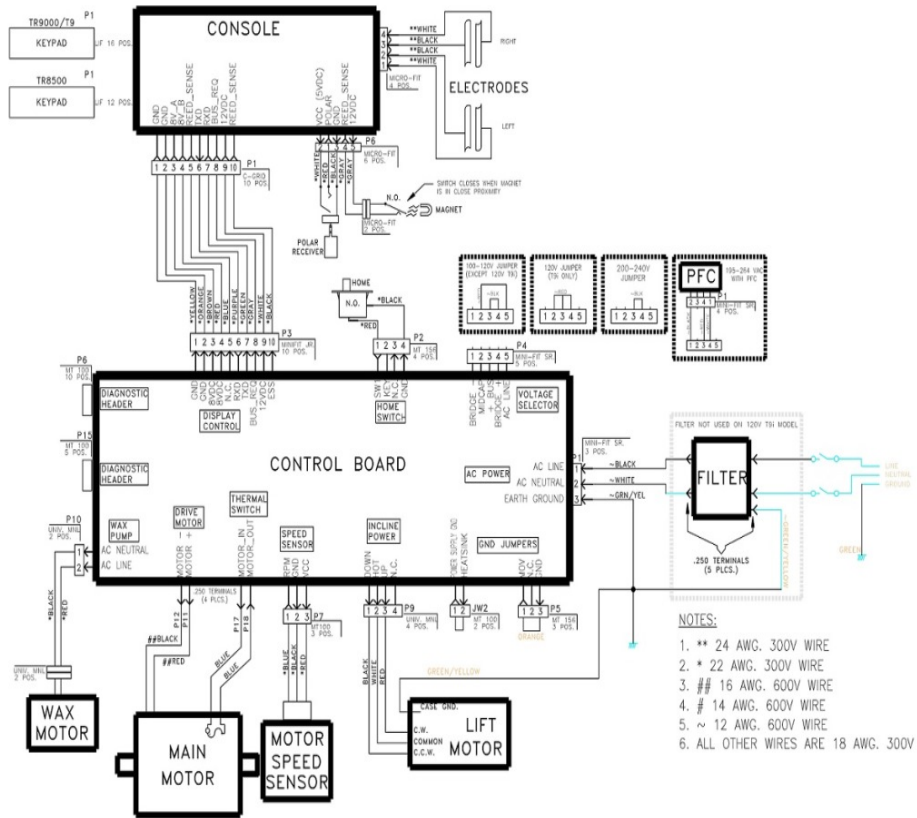
Ref #	Part Number	Qty	Description
-	0K60-01008-0003	1	Accessory Tray Right
-	0017-00042-1151	2	Push Rivets
-	0K60-01008-0004	1	Accessory Tray Left
-	0017-00101-1767	4	Hardware: Mounting Screws(4)

Belt, Deck, and Rollers



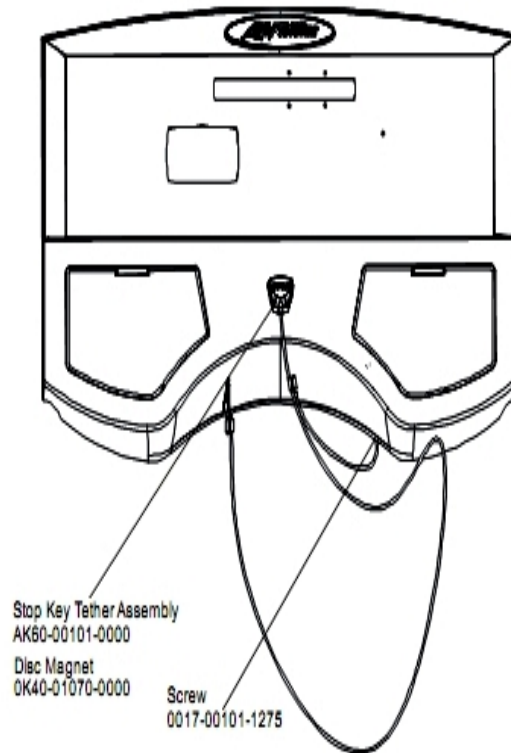
Ref #	Part Number	Qty	Description
-	OK60-01011-0000	1	Rear Roller
-	AK60-00029-0000	1	Front Roller Assembly
-	OK60-01024-0002	1	Striding Belt
-	OK60-01024-0000	1	Striding Belt
-	OK60-01022-0000	1	Deck
-	0017-00101-1775	4	Hardware: Deck Screws 1.25"
-	OK60-01190-0000	2	Decal

Cables



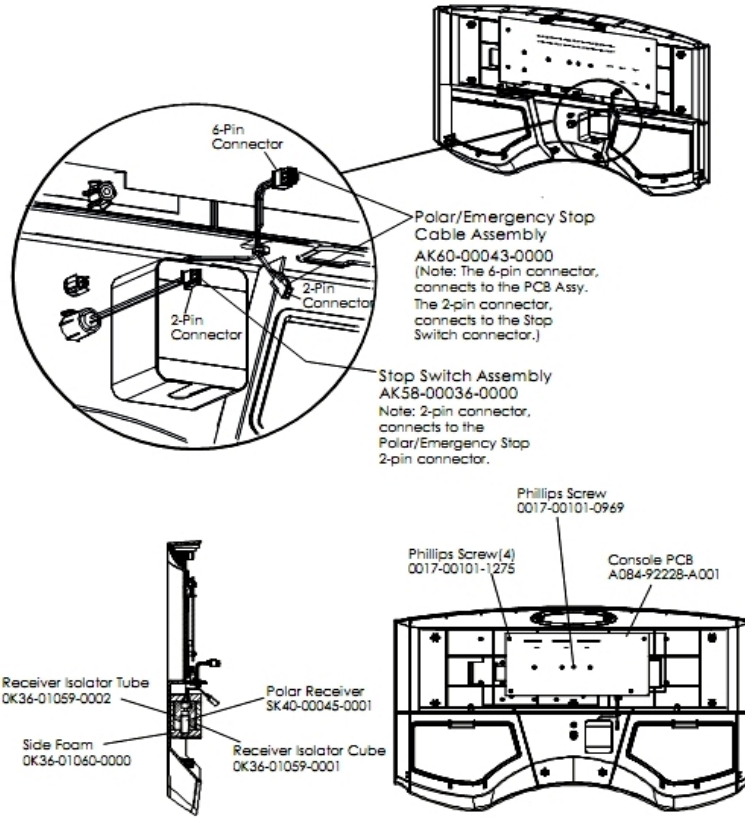
Ref #	Part Number	Qty	Description
-	AK60-00038-0000	1	Home Switch Cable
-	AK60-00037-0000	1	Console Cable
-	AK60-00104-0000	1	Power Controller Cable: 220V
-	AK26-00346-0000	1	Cable Assembly - Black
-	AK26-00347-0000	1	Cable Assembly - White
-	AK60-00041-0000	1	Wax Pump Cable
-	AK26-00348-0000	1	Cable: Jumper; Ground

Console Assembly 1



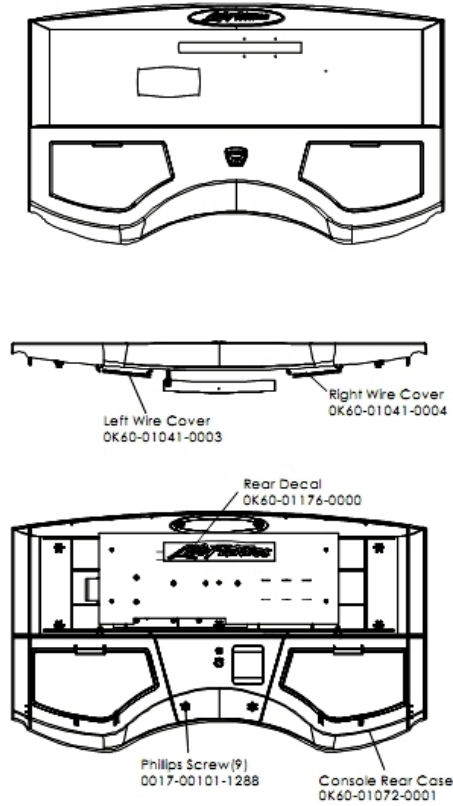
Ref #	Part Number	Qty	Description
-	AK60-00101-0000	1	Stop Key Tether Assembly
-	0017-00101-1275	1	Hardware: Phillips Screw 0.375"
-	AK60-00214-0001	1	Console: English/Metric
-	AK60-00213-0001	1	Overlay/Bezel: English/Metric
-	OK40-01070-0000	1	Magnetic Disk

Console Assembly 2



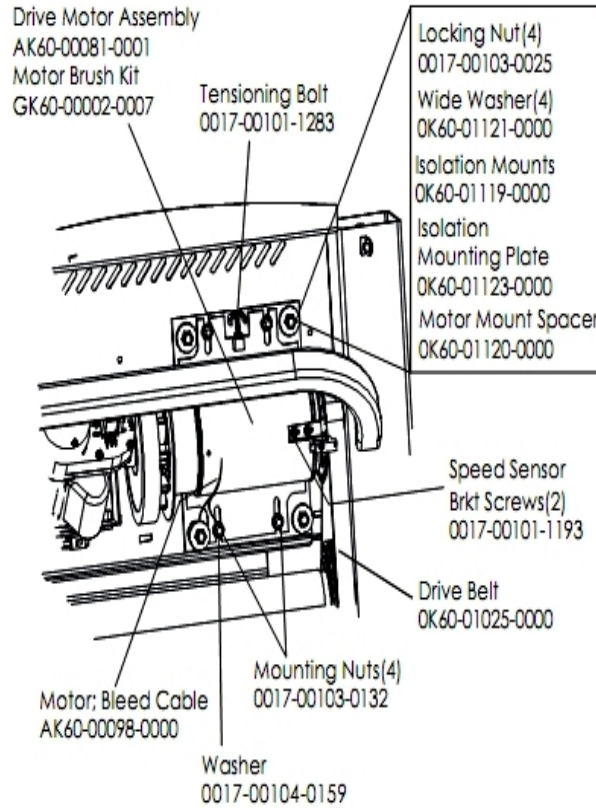
Ref #	Part Number	Qty	Description
-	OK36-01060-0000	1	Side Foam
-	A084-92228-A001	1	Console PCB
-	OK36-01059-0002	1	Insulator Receiver Tube
-	0017-00101-1275	4	Hardware: Phillips Screw 0.375"
-	AK60-00043-0000	1	Polar E-Stop Cable
-	0017-00101-0969	1	Hardware: Phillips Screw
-	SK40-00045-0001	1	Polar HR Kit
-	AK58-00036-0000	1	Cable-Assembly: Emergency-Stop Switch
-	OK36-01059-0001	1	Isolator Receiver Cube

Console Assembly 3



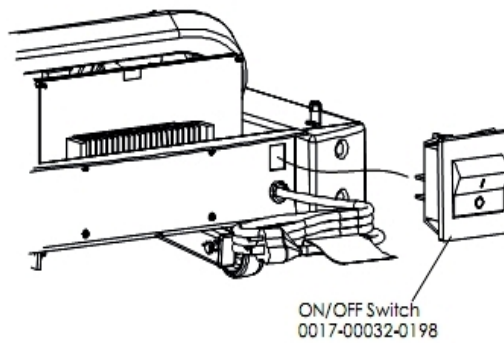
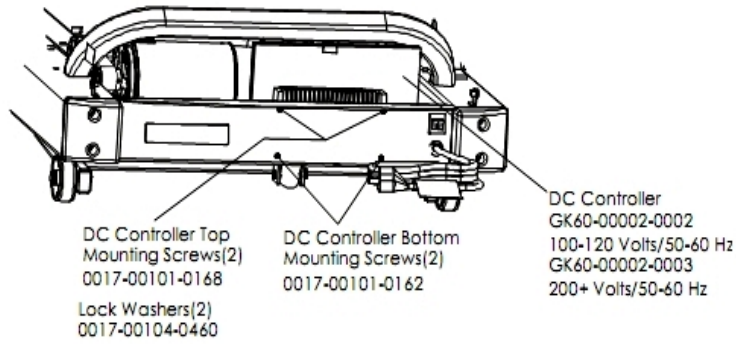
Ref #	Part Number	Qty	Description
-	OK60-01041-0004	1	Right Wire Cover
-	OK60-01072-0001	1	Console Rear Case
-	0017-00101-1288	9	Hardware: Phillips Screw 0.5"
-	OK60-01176-0000	1	Rear Decal
-	OK60-01041-0003	1	Left Wire Cover

Drive Motor Assembly



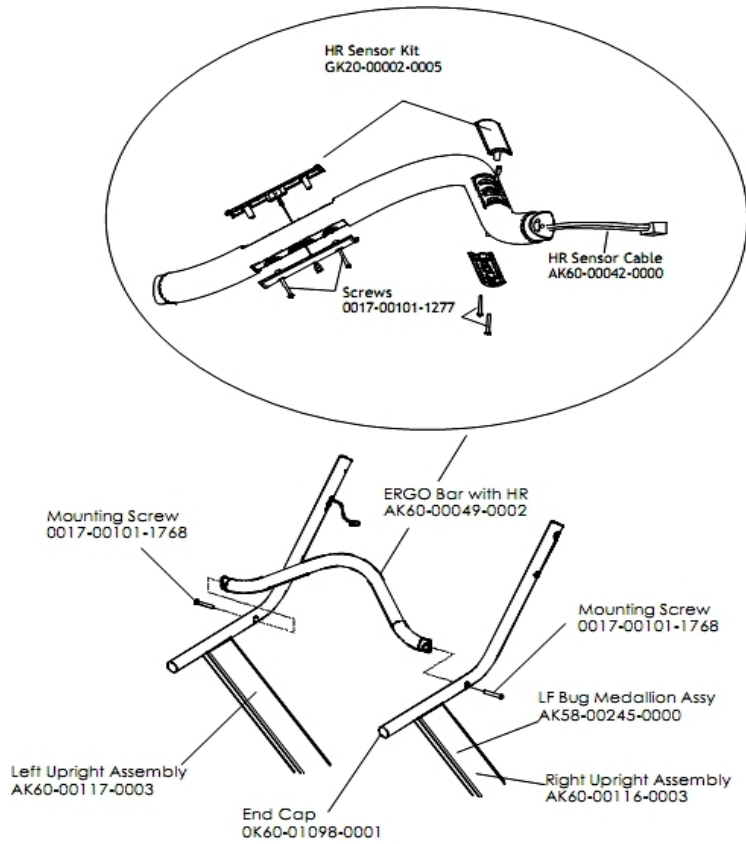
Ref #	Part Number	Qty	Description
-	0017-00101-1283	1	Hardware: Tensioning Bolt
-	0017-00103-0025	4	Hardware: Locking Nut 3/8" ID
-	0017-00103-0132	4	Hardware: Mounting Nut
-	OK60-01120-0000	1	Motor Mount Spacer
-	GK60-00002-0015	1	Kit: Activate Treadmill Belt And Pulley
-	0017-00101-1193	2	Hardware: Screw 0.375"
-	0017-00104-0159	1	Hardware: Flat Washer 0.75" OD
-	AK60-00098-0000	1	Current Limit Wires
-	OK60-01121-0000	4	Hardware: Washer
-	OK60-01119-0000	1	Isolator Mount
-	OK60-01123-0000	1	Isolation Mounting Plate
-	AK60-00081-0001	1	Drive Motor Assembly
-	GK60-00002-0007	1	Motor Brush Kit

DC Controller and On/Off Switch



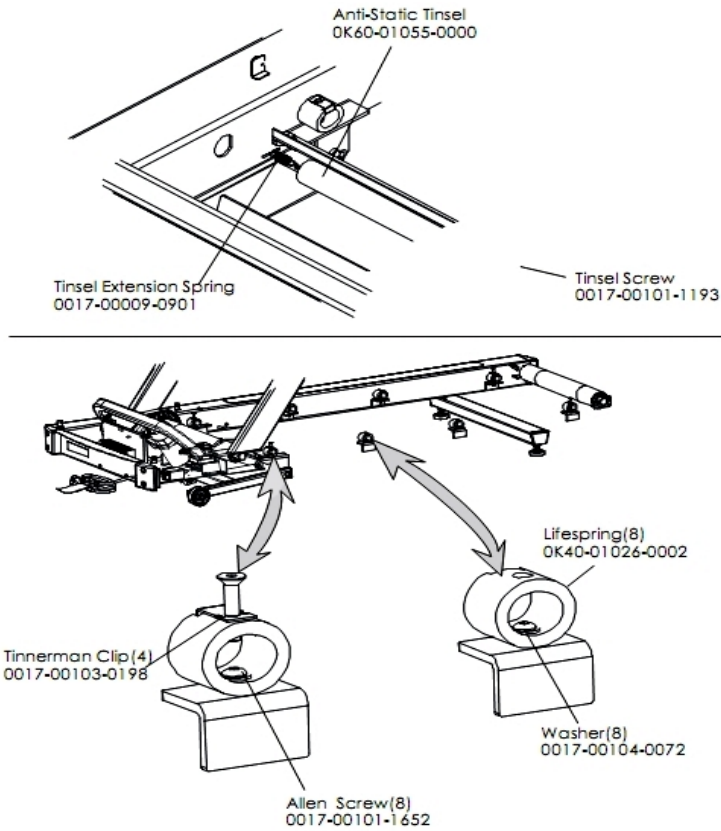
Ref #	Part Number	Qty	Description
-	0017-00104-0460	2	Hardware: Lockwasher 0.562" OD
-	0017-00101-0168	2	Hardware: DC Controller Mounting Screws
-	GK60-00002-0003	1	DC Controller 200+ Volts/50-60 Hz
-	0017-00101-0162	2	Hardware: Screw 0.375"
-	0017-00032-0198	1	On/Off Switch 22A

Ergo Bar and Upright Assembly



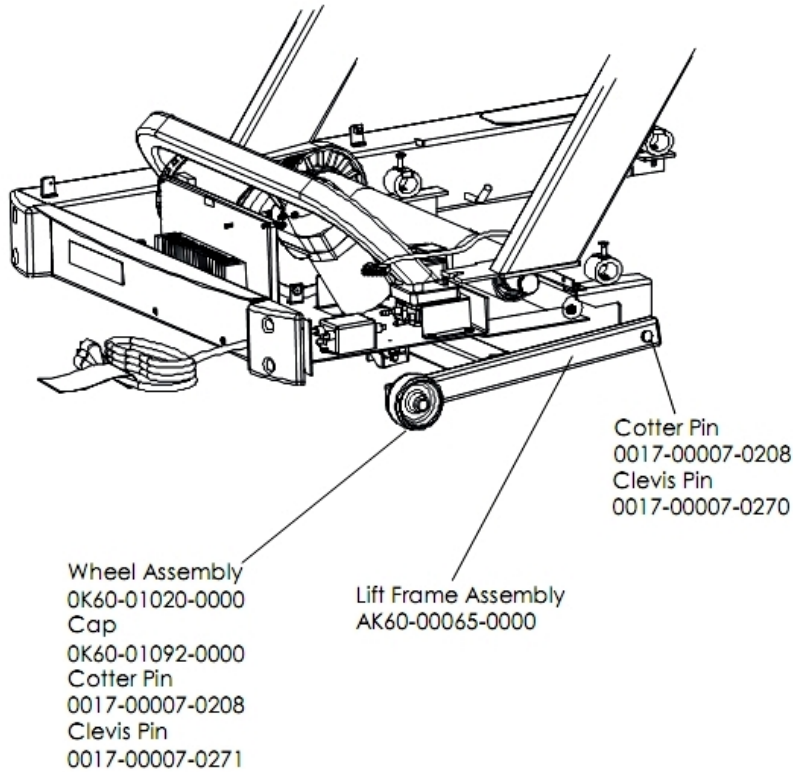
Ref #	Part Number	Qty	Description
-	0017-00101-1277	4	Hardware: Sensor Mounting Screw 1"
-	AK60-00117-0003	1	Upright Assembly: Left
-	AK58-00245-0000	1	Bug Medallion
-	GK20-00002-0005	1	Heart Rate Electrode Kit
-	AK60-00049-0002	1	ERGO Bar with Heart Rate Sensor
-	AK60-00116-0003	1	Upright Assembly: Right
-	0017-00101-1768	2	Hardware: Mounting Screw
-	AK60-00042-0000	1	Heart Rate Cable
-	0K60-01098-0001	4	End Cap

Lifesprings and Anti-Static Tinsel



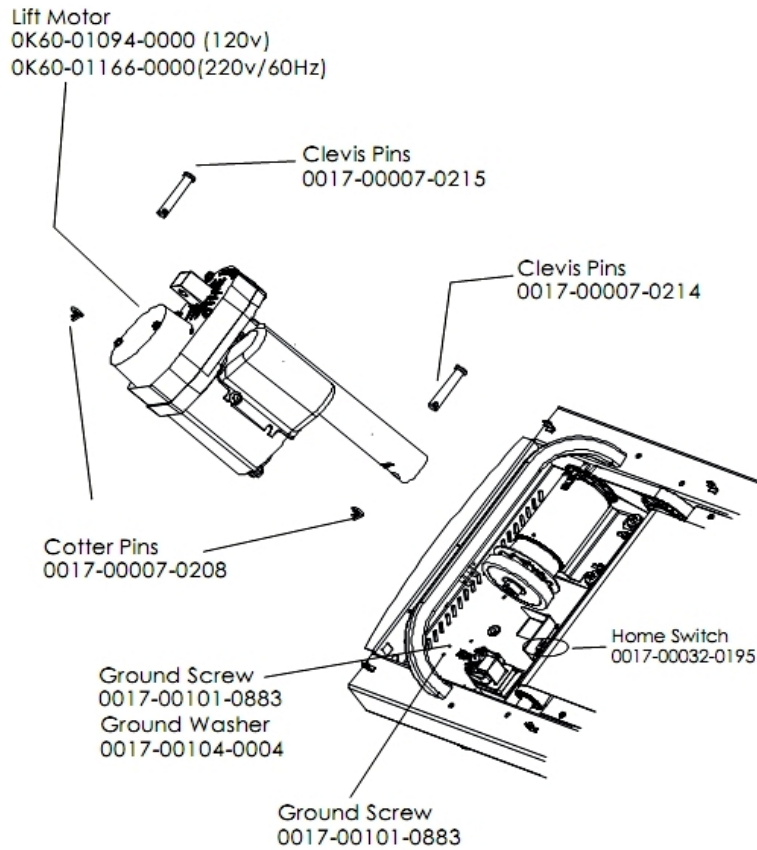
Ref #	Part Number	Qty	Description
-	OK60-01055-0000	1	Anti-Static Tinsel
-	0017-00009-0901	1	Tinsel Extension Spring
-	OK40-01026-0002	8	Deck Spring
-	0017-00103-0198	4	Hardware: Tinnerman Clip 1/4" ID
-	0017-00101-1193	1	Hardware: Screw 0.375"
-	0017-00101-1652	8	Hardware: Spring Mounting Screw 1"
-	0017-00104-0072	8	Hardware: Flat Washer 0.562" OD

Life Frame Assembly



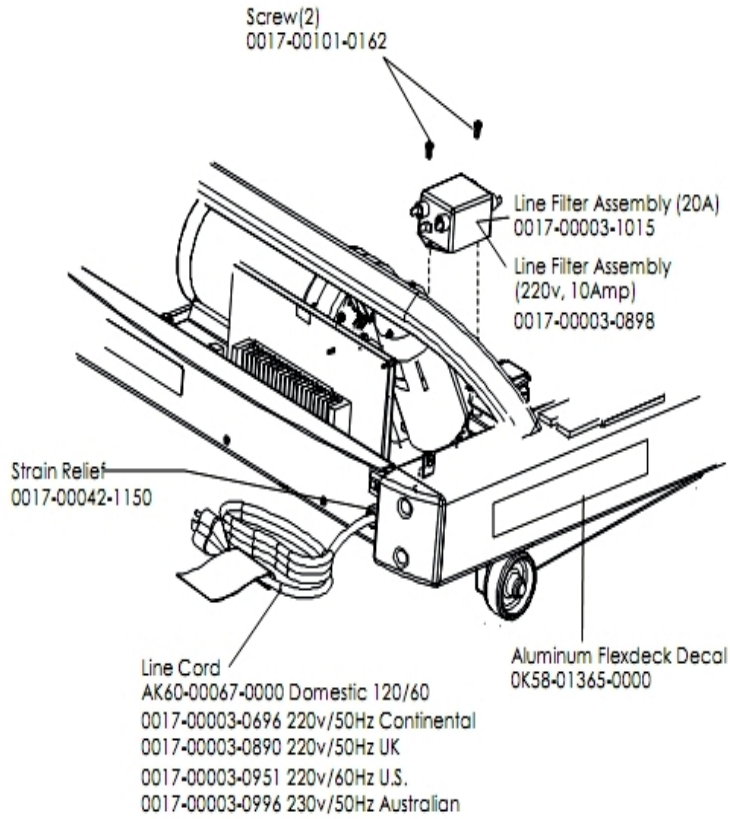
Ref #	Part Number	Qty	Description
-	0017-00007-0271	2	Hardware: Clevis Pin - 1/2" D 2.75" L
-	6836601	2	Cap, End 1 X 1-1/2 11 GA
-	AK60-00065-0000	1	Lift Frame Assembly
-	0017-00007-0208	4	Hardware: Cotter Pin
-	0K60-01020-0000	1	Wheel
-	0017-00007-0270	2	Hardware: Clevis Pin - 1/2" D 1.5" L

Lift Motor and Home Switch



Ref #	Part Number	Qty	Description
-	0017-00101-0883	2	Hardware: Screw 0.375"
-	0017-00032-0195	1	Home Switch
-	OK60-01166-0000	1	Lift Motor (220v)
-	0017-00104-0004	1	Hardware: Washer
-	0017-00007-0214	1	Hardware: Clevis Pin 3/8" D 1.75" L
-	0017-00007-0215	1	Hardware: Clevis Pin - 3/8" D 2.25" L
-	0017-00007-0208	2	Hardware: Cotter Pin

Line Cord and Line Filter

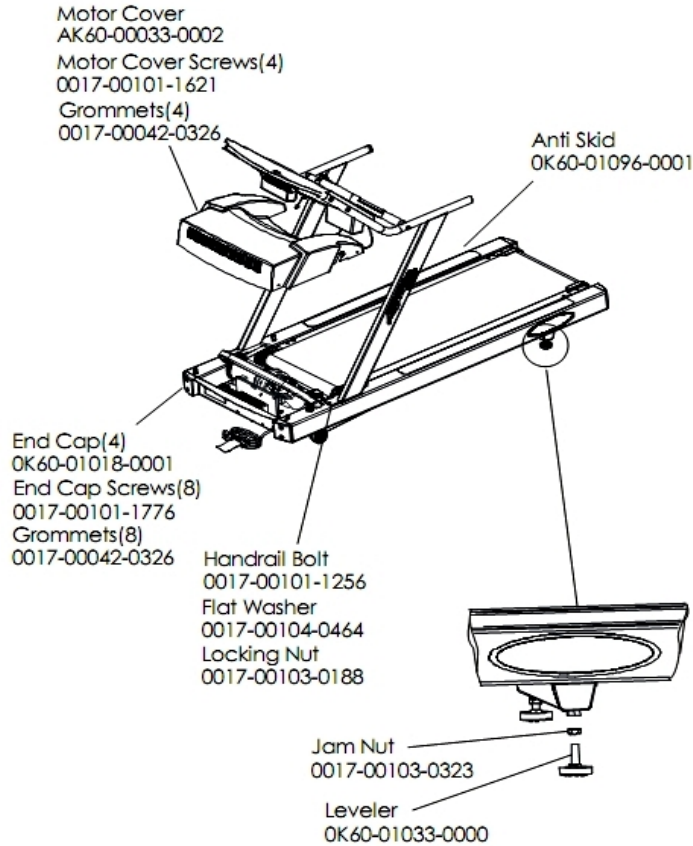


Ref #	Part Number	Qty	Description
-	0017-00003-0996	1	Line Cord: Australia 230/50
-	0017-00003-0898	1	10 amp Line Filter (INT)
-	0K58-01365-0000	1	Decal
-	0017-00101-0162	2	Hardware: Screw 0.375"
-	0017-00042-1150	1	Strain Relief

Miscellaneous

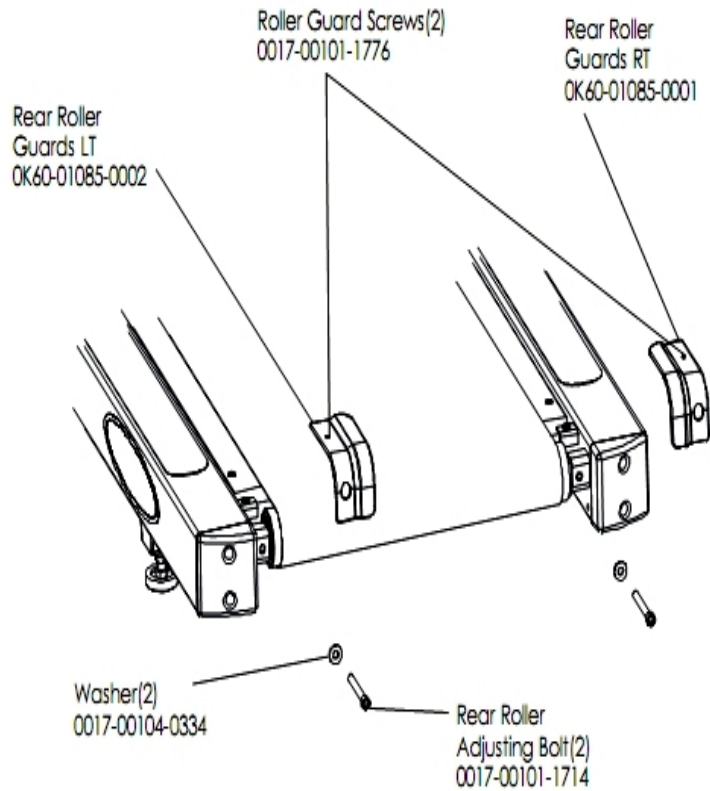
Ref #	Part Number	Qty	Description
-	0017-00042-1151	1	Push Rivets
-	0017-00101-1256	1	Hardware: Mounting Bolt 5"
-	AK60-00161-0000	1	Hardware Bag
-	0017-00104-0464	1	Hardware: Flat Washer 0.734" OD
-	OK60-01098-0001	1	End Cap
-	0017-00101-1776	1	Hardware: Mounting Screw 0.5"
-	0017-00101-1767	1	Hardware: Mounting Screws(4)
-	0017-00101-1768	1	Hardware: Mounting Screw
-	0017-00103-0188	1	Hardware: Flange Lock Nut 3/8" ID
-	0017-00008-0206	1	.33oz Pen - Arctic Silver
-	AK32-00020-0002	1	Coax Cable: 120"
-	AK32-00078-0001	1	Power Extension Cable: 120"
-	0017-00021-2846	1	F-Type Panel Connector
-	0017-00008-0205	1	5 oz Bottle - Arctic Silver
-	0017-00008-0204	1	Paint Spray Can - Arctic Silver

Motor Cover, Leveler and End Caps



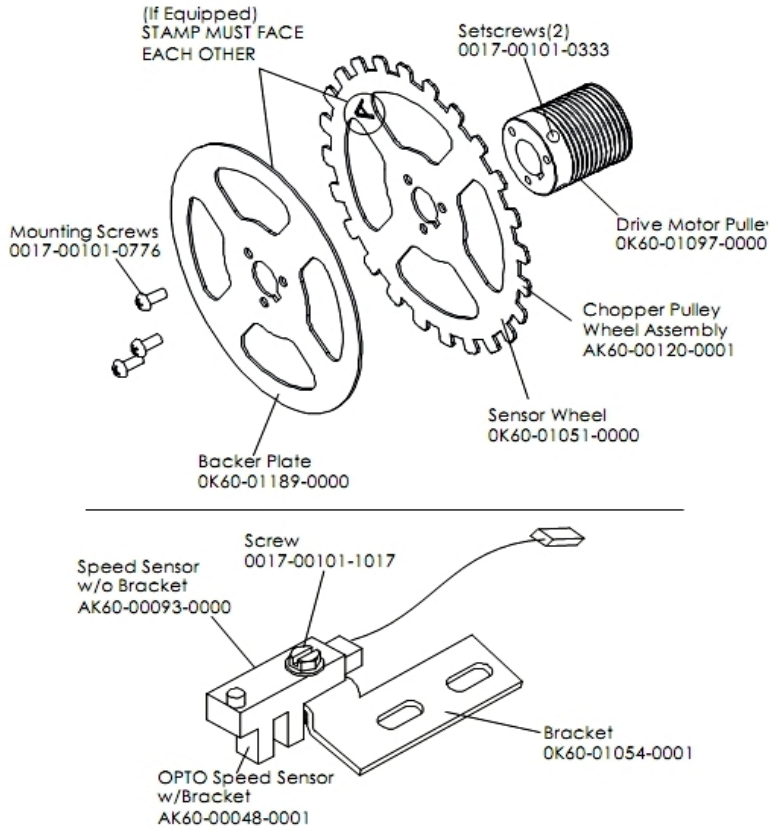
Ref #	Part Number	Qty	Description
-	0017-00101-1621	4	Hardware: Phillips Screw 0.5"
-	AK60-00033-0002	1	Motor Cover
-	OK60-01096-0001	2	Anti Skid
-	0017-00101-1776	8	Hardware: Mounting Screw 0.5"
-	0017-00103-0323	2	Hardware: Nut 1/2" ID
-	0017-00104-0464	2	Hardware: Flat Washer 0.734" OD
-	OK60-01018-0001	4	End Cap
-	0017-00042-0326	12	Hardware: Plastic Grommet
-	OK60-01033-0000	2	Leg Leveler
-	0017-00101-1256	2	Hardware: Mounting Bolt 5"
-	0017-00103-0188	2	Hardware: Flange Lock Nut 3/8" ID

Rear Roller Guards



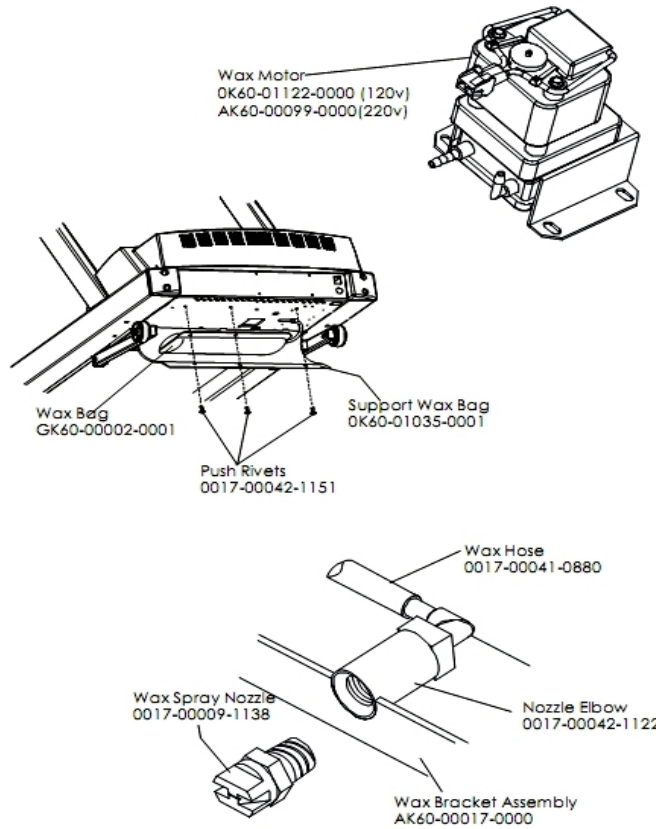
Ref #	Part Number	Qty	Description
-	0017-00101-1779	2	Hardware: Rear Roller Adjusting Bolt
-	OK60-01085-0001	1	Roller Guard: Right
-	0017-00101-1776	2	Hardware: Mounting Screw 0.5"
-	0017-00104-0334	2	Hardware: Flat Washers 0.880" OD
-	OK60-01085-0002	1	Roller Guard: Left

Sensor and Sensor Wheel Assembly



Ref #	Part Number	Qty	Description
-	AK60-00120-0001	1	Chopper Pulley Wheel Assembly
-	AK60-00048-0001	1	OPTO Speed Sensor with Bracket
-	OK60-01051-0000	1	Sensor Wheel
-	OK60-01054-0001	1	Bracket
-	OK60-01189-0000	1	Backer Plate
-	0017-00101-0776	3	Hardware: Mounting Screws
-	AK60-00093-0000	1	Speed Sensor without Bracket
-	0017-00101-1017	1	Hardware: Leg Cover Screws
-	0017-00101-0333	2	Hardware: Screw 0.3125"
-	OK60-01097-0000	1	Drive Motor Pulley

Wax Motor, Wax Bag, Wax Nozzle and Bracket



Ref #	Part Number	Qty	Description
-	0017-00042-1151	3	Push Rivets
-	AK60-00099-0000	1	Wax Motor: 220V
-	OK60-01035-0001	1	Support Wax Bag
-	0017-00009-1138	1	Wax Spray Nozzle
-	GK60-00002-0001	1	Wax Bag
-	0017-00042-1122	1	Nozzle Elbow
-	0017-00041-0880	1	Wax Hose
-	AK60-00017-0000	1	Wax Nozzle Assembly

