

90T Treadmill - French/Metric 230/50 CON

90T-0301-05

Parts Manual

1/5/2019 6:32:27 AM

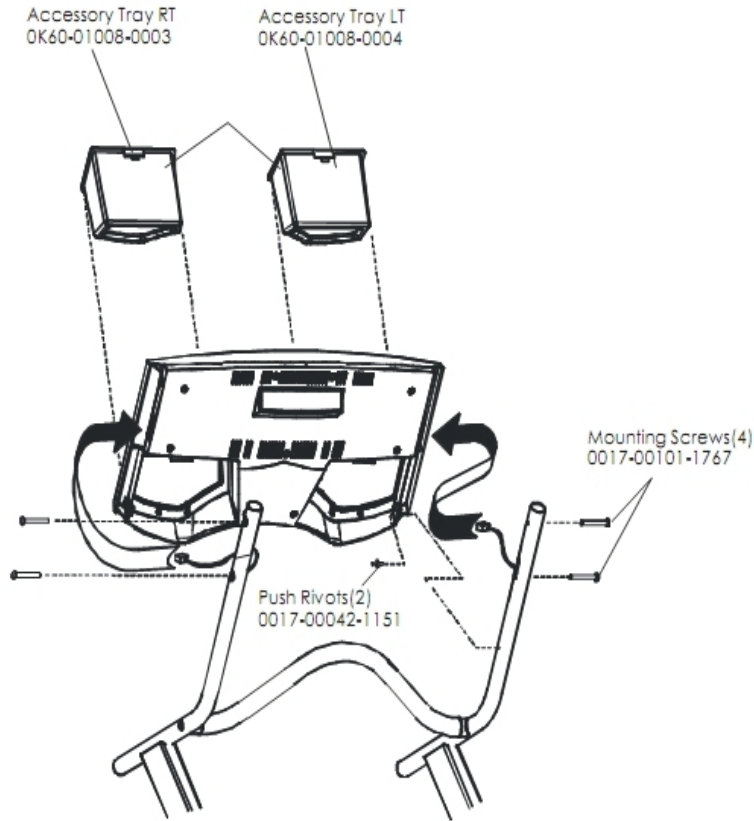


LifeFitness
WHAT WE LIVE FOR

Table of Contents

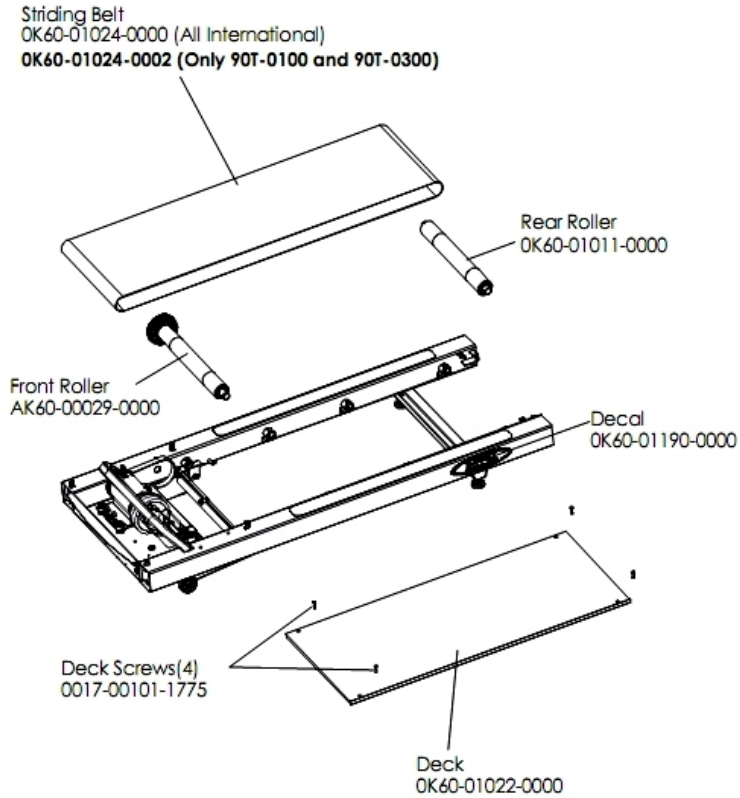
Accessory Trays	3
Belt, Deck, and Rollers	4
Cables	5
Console Assembly 1	6
Console Assembly 2	7
Console Assembly 3	8
Drive Motor Assembly	9
DC Controller and On/Off Switch	10
Ergo Bar and Upright Assembly	11
Lifesprings and Anti-Static Tinsel	12
Life Frame Assembly	13
Lift Motor and Home Switch	14
Line Cord and Line Filter	15
Miscellaneous	16
Motor Cover, Leveler and End Caps	17
Rear Roller Guards	18
Sensor and Sensor Wheel Assembly	19
Wax Motor, Wax Bag, Wax Nozzle and Bracket	20

Accessory Trays



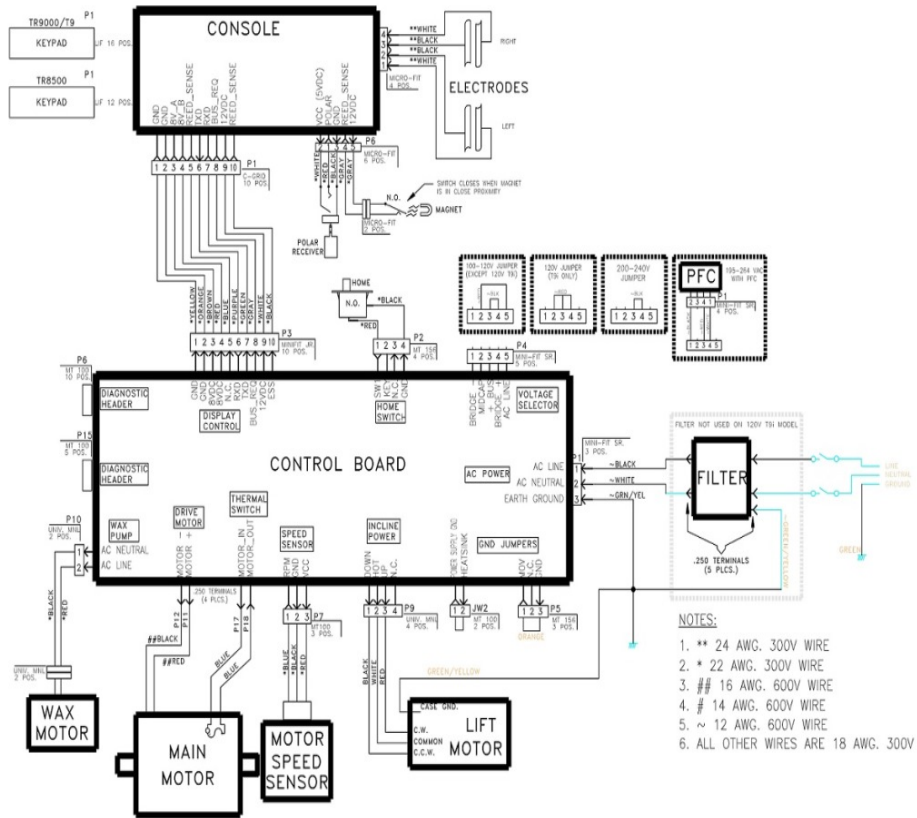
Ref #	Part Number	Qty	Description
-	0017-00042-1151	4	Push Rivets
-	0K60-01008-0003	2	Accessory Tray Right
-	0017-00101-1767	8	Hardware: Mounting Screws(4)
-	0K60-01008-0004	2	Accessory Tray Left

Belt, Deck, and Rollers



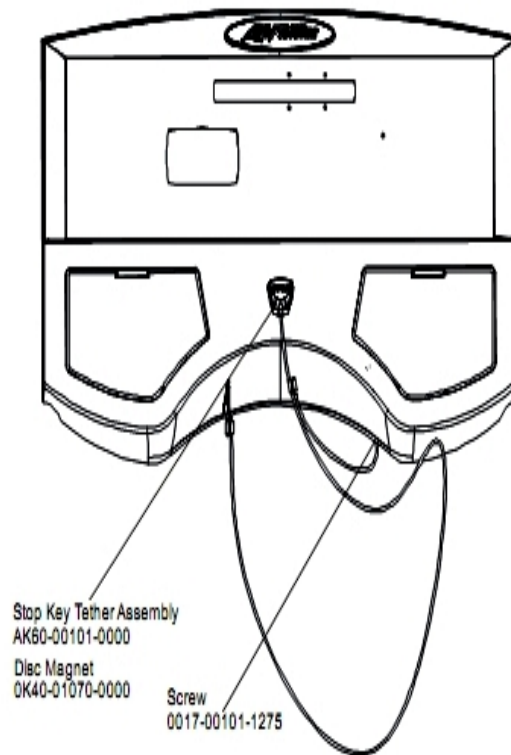
Ref #	Part Number	Qty	Description
-	0017-00101-1775	8	Hardware: Deck Screws 1.25"
-	OK60-01022-0000	2	Deck
-	OK60-01024-0000	2	Striding Belt
-	OK60-01190-0000	4	Decal
-	AK60-00029-0000	2	Front Roller Assembly
-	OK60-01011-0000	2	Rear Roller
-	OK60-01024-0002	2	Striding Belt

Cables



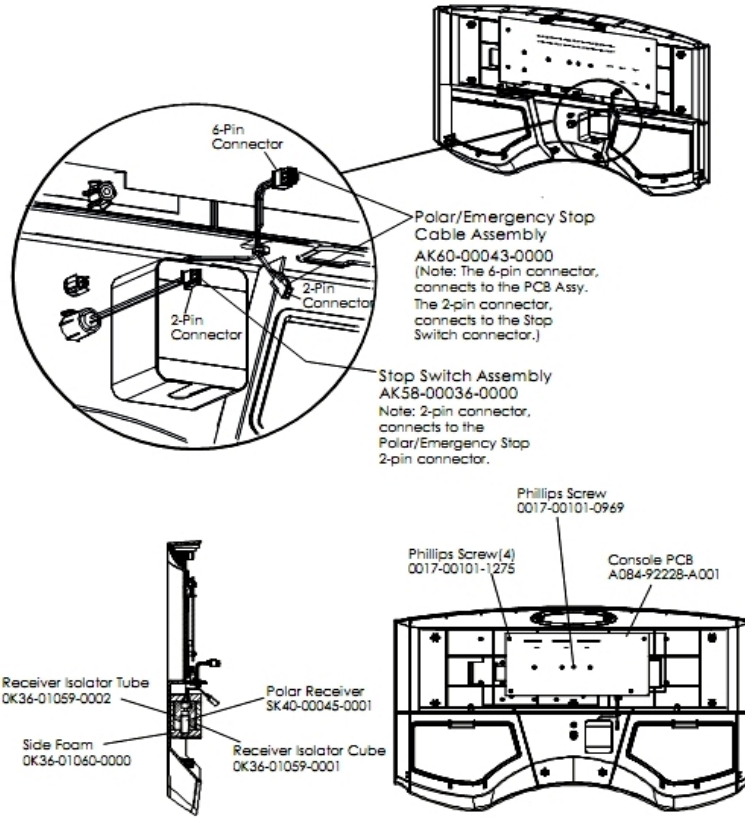
Ref #	Part Number	Qty	Description
-	AK60-00038-0000	2	Home Switch Cable
-	AK26-00348-0000	2	Cable: Jumper; Ground
-	AK60-00041-0000	2	Wax Pump Cable
-	AK60-00104-0000	2	Power Controller Cable: 220V
-	AK60-00037-0000	2	Console Cable
-	AK26-00347-0000	2	Cable Assembly - White
-	AK26-00346-0000	2	Cable Assembly - Black

Console Assembly 1



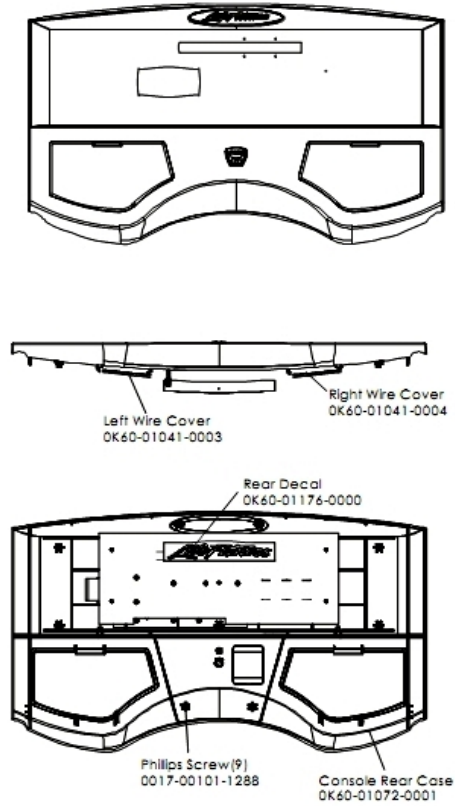
Ref #	Part Number	Qty	Description
-	AK60-00213-0007	1	Overlay/Bezel: French/Metric
-	AK60-00101-0000	2	Stop Key Tether Assembly
-	OK40-01070-0000	2	Magnetic Disk
-	0017-00101-1275	2	Hardware: Phillips Screw 0.375"
-	AK60-00213-0009	1	Overlay/Bezel: Dutch/Metric
-	AK60-00214-0007	1	Console: French/Metric
-	AK60-00214-0009	1	Console: Dutch/Metric

Console Assembly 2



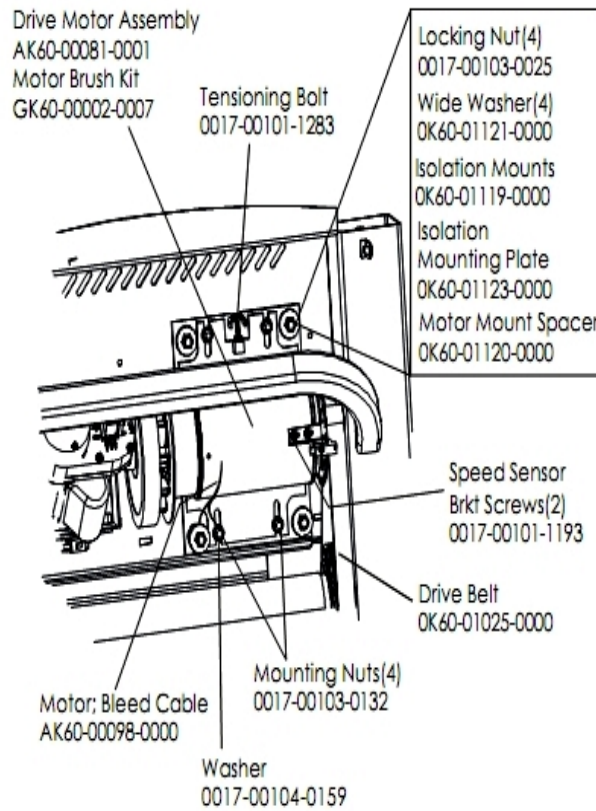
Ref #	Part Number	Qty	Description
-	OK36-01060-0000	2	Side Foam
-	OK36-01059-0002	2	Insulator Receiver Tube
-	0017-00101-1275	8	Hardware: Phillips Screw 0.375"
-	0017-00101-0969	2	Hardware: Phillips Screw
-	SK40-00045-0001	2	Polar HR Kit
-	AK58-00036-0000	2	Cable-Assembly: Emergency-Stop Switch
-	AK60-00043-0000	2	Polar E-Stop Cable
-	OK36-01059-0001	2	Isolator Receiver Cube
-	A084-92228-A001	2	Console PCB

Console Assembly 3



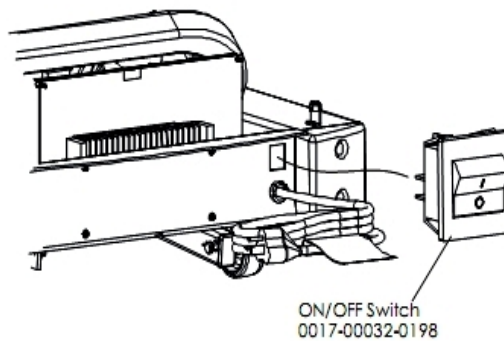
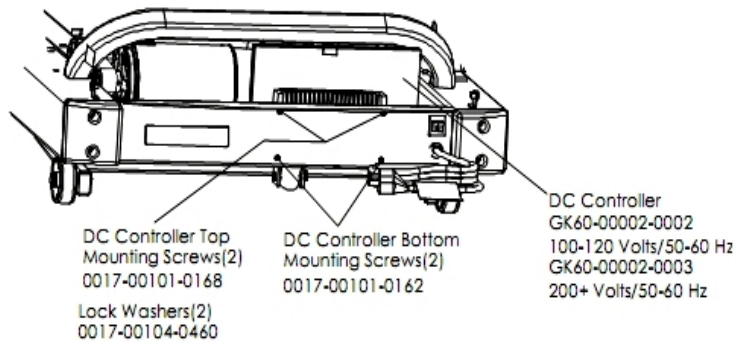
Ref #	Part Number	Qty	Description
-	OK60-01072-0001	2	Console Rear Case
-	OK60-01176-0000	2	Rear Decal
-	OK60-01041-0004	2	Right Wire Cover
-	OK60-01041-0003	2	Left Wire Cover
-	0017-00101-1288	18	Hardware: Phillips Screw 0.5"

Drive Motor Assembly



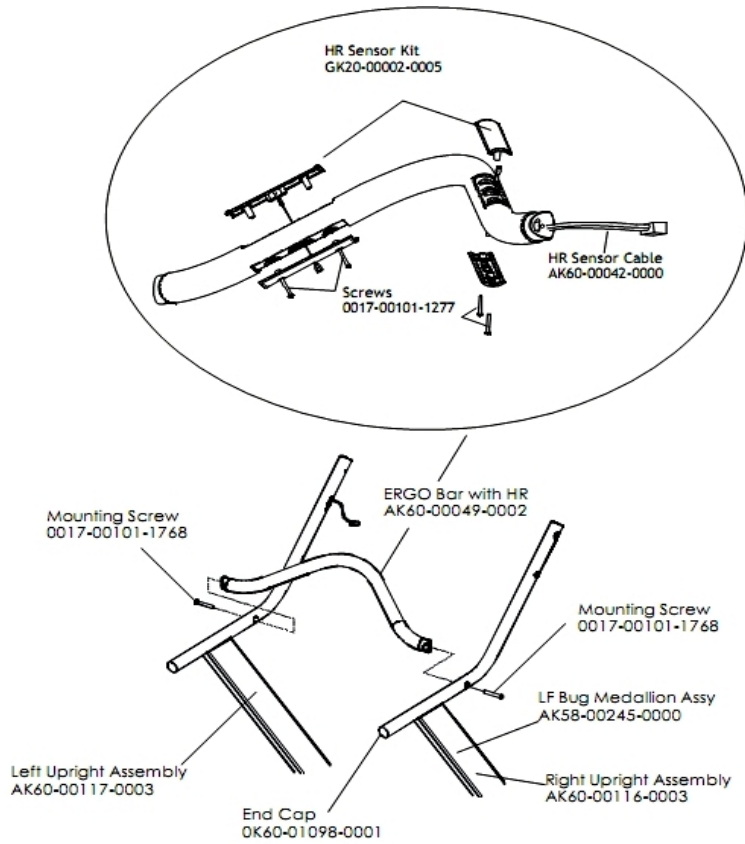
Ref #	Part Number	Qty	Description
-	0017-00104-0159	2	Hardware: Flat Washer 0.75" OD
-	0017-00103-0025	8	Hardware: Locking Nut 3/8" ID
-	0017-00103-0132	8	Hardware: Mounting Nut
-	OK60-01120-0000	2	Motor Mount Spacer
-	GK60-00002-0015	2	Kit: Activate Treadmill Belt And Pulley
-	OK60-01123-0000	2	Isolation Mounting Plate
-	AK60-00081-0001	2	Drive Motor Assembly
-	0017-00101-1283	2	Hardware: Tensioning Bolt
-	GK60-00002-0007	2	Motor Brush Kit
-	AK60-00098-0000	2	Current Limit Wires
-	OK60-01121-0000	8	Hardware: Washer
-	OK60-01119-0000	2	Isolator Mount
-	0017-00101-1193	4	Hardware: Screw 0.375"

DC Controller and On/Off Switch



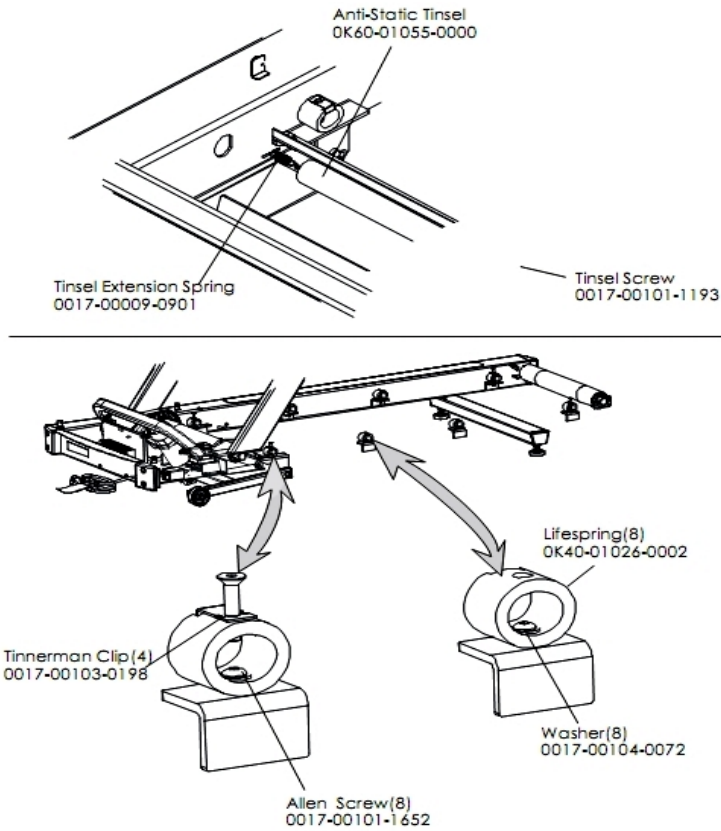
Ref #	Part Number	Qty	Description
-	0017-00104-0460	4	Hardware: Lockwasher 0.562" OD
-	0017-00101-0168	4	Hardware: DC Controller Mounting Screws
-	GK60-00002-0003	2	DC Controller 200+ Volts/50-60 Hz
-	0017-00101-0162	4	Hardware: Screw 0.375"
-	0017-00032-0198	2	On/Off Switch 22A

Ergo Bar and Upright Assembly



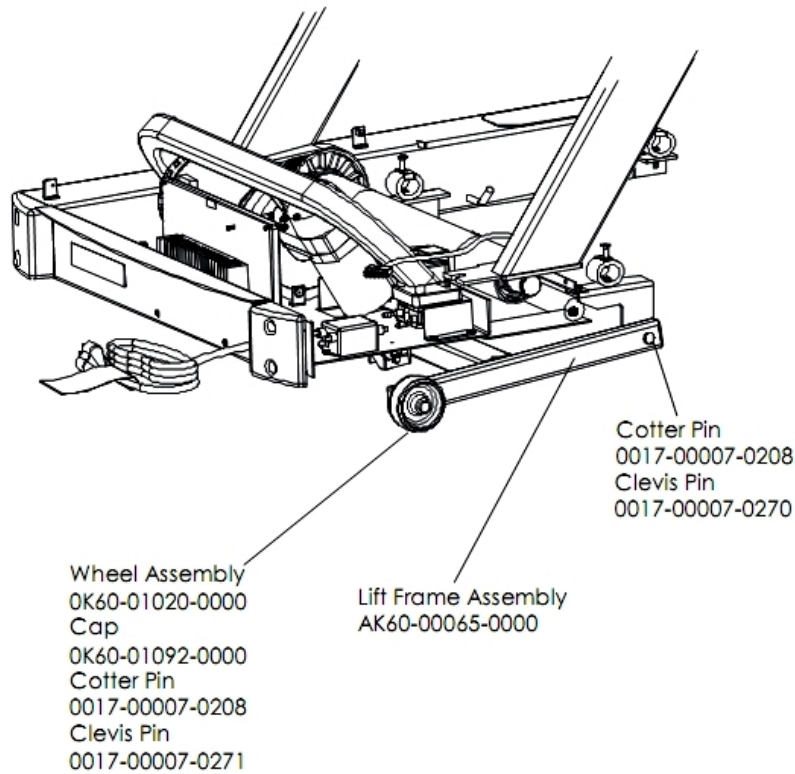
Ref #	Part Number	Qty	Description
-	0017-00101-1277	8	Hardware: Sensor Mounting Screw 1"
-	AK60-00117-0003	2	Upright Assembly: Left
-	AK58-00245-0000	2	Bug Medallion
-	GK20-00002-0005	2	Heart Rate Electrode Kit
-	OK60-01098-0001	8	End Cap
-	AK60-00116-0003	2	Upright Assembly: Right
-	0017-00101-1768	4	Hardware: Mounting Screw
-	AK60-00042-0000	2	Heart Rate Cable
-	AK60-00049-0002	2	ERGO Bar with Heart Rate Sensor

Lifesprings and Anti-Static Tinsel



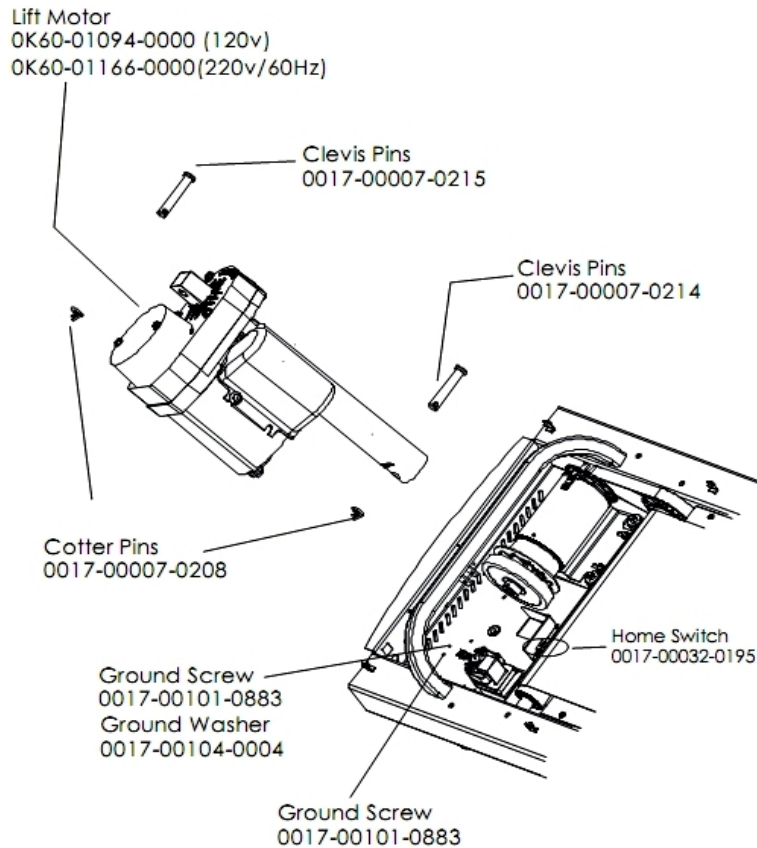
Ref #	Part Number	Qty	Description
-	0017-00104-0072	16	Hardware: Flat Washer 0.562" OD
-	0017-00103-0198	8	Hardware: Tinnerman Clip 1/4" ID
-	OK40-01026-0002	16	Deck Spring
-	OK60-01055-0000	2	Anti-Static Tinsel
-	0017-00009-0901	2	Tinsel Extension Spring
-	0017-00101-1652	16	Hardware: Spring Mounting Screw 1"
-	0017-00101-1193	2	Hardware: Screw 0.375"

Life Frame Assembly



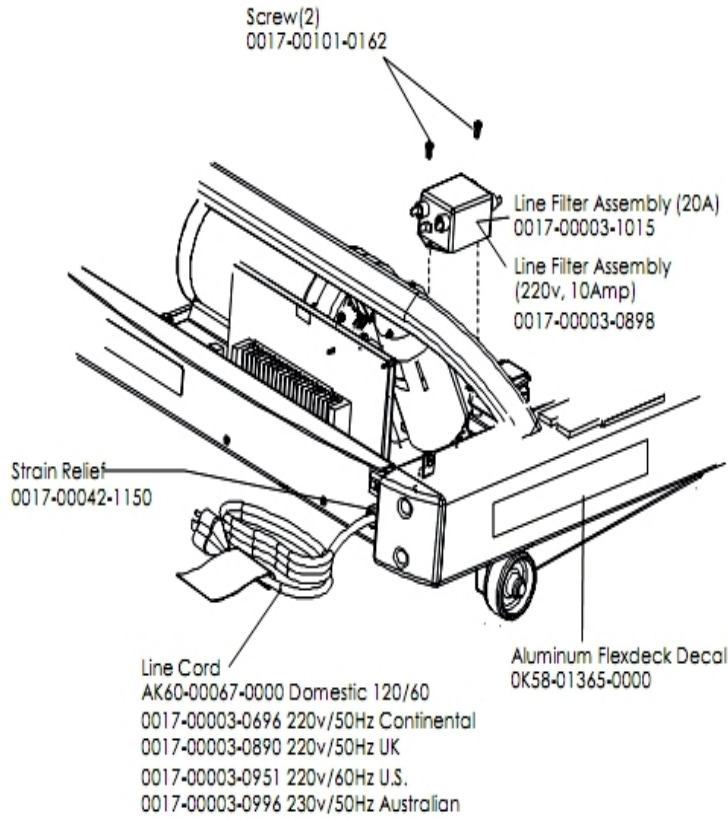
Ref #	Part Number	Qty	Description
-	6836601	4	Cap, End 1 X 1-1/2 11 GA
-	AK60-00065-0000	2	Lift Frame Assembly
-	0017-00007-0270	4	Hardware: Clevis Pin - 1/2" D 1.5" L
-	0017-00007-0208	8	Hardware: Cotter Pin
-	0017-00007-0271	4	Hardware: Clevis Pin - 1/2" D 2.75" L
-	0K60-01020-0000	2	Wheel

Lift Motor and Home Switch



Ref #	Part Number	Qty	Description
-	0017-00007-0208	4	Hardware: Cotter Pin
-	0017-00101-0883	4	Hardware: Screw 0.375"
-	0017-00104-0004	2	Hardware: Washer
-	0017-00007-0214	2	Hardware: Clevis Pin 3/8" D 1.75" L
-	OK60-01166-0000	2	Lift Motor (220v)
-	0017-00032-0195	2	Home Switch
-	0017-00007-0215	2	Hardware: Clevis Pin - 3/8" D 2.25" L

Line Cord and Line Filter

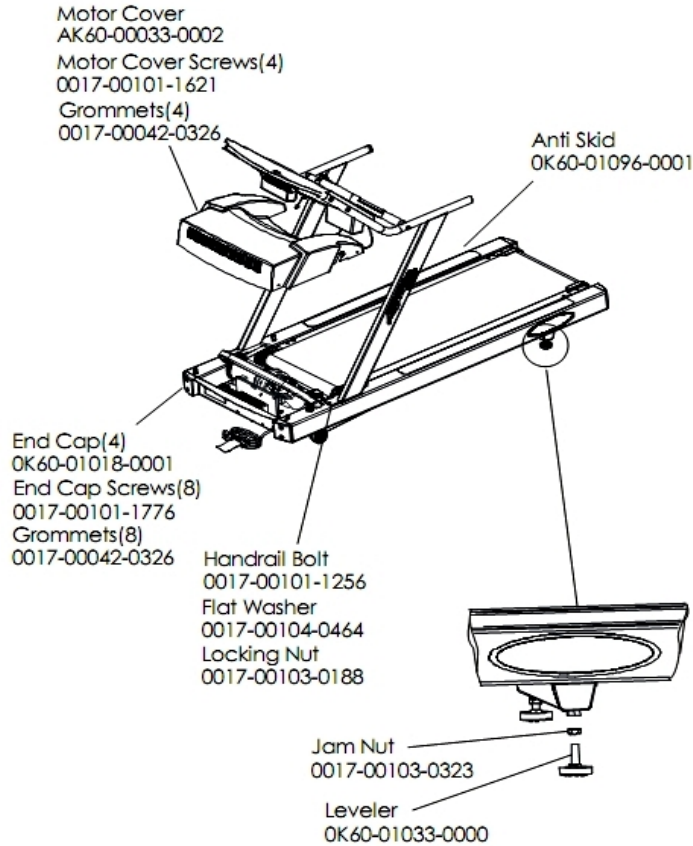


Ref #	Part Number	Qty	Description
-	0017-00101-0162	4	Hardware: Screw 0.375"
-	0017-00042-1150	2	Strain Relief
-	0017-00003-0696	2	Line Cord: International High Voltage (Cont.) 103"
-	0K58-01365-0000	2	Decal
-	0017-00003-0898	2	10 amp Line Filter (INT)

Miscellaneous

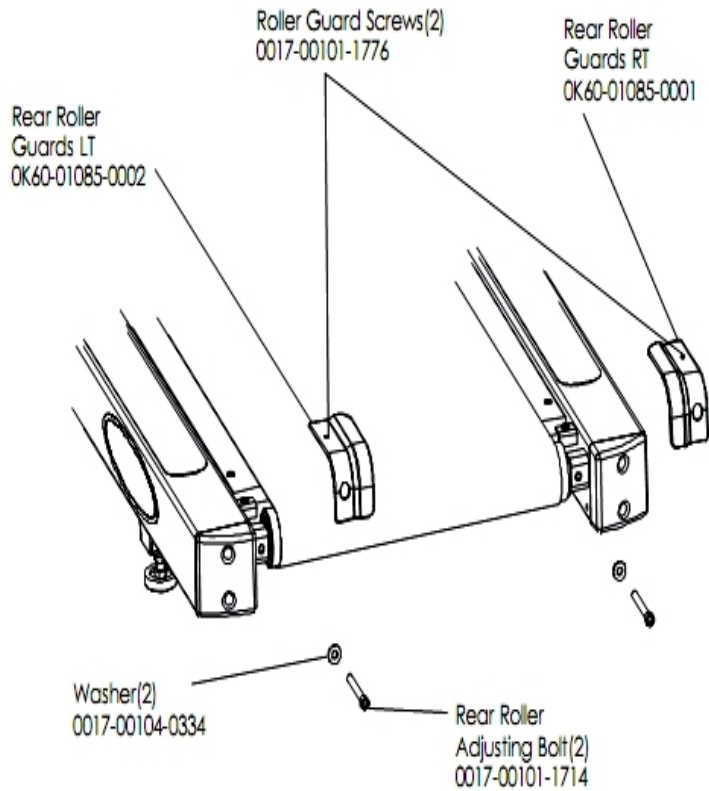
Ref #	Part Number	Qty	Description
-	0017-00042-1151	2	Push Rivets
-	0017-00101-1256	2	Hardware: Mounting Bolt 5"
-	AK60-00161-0000	2	Hardware Bag
-	0017-00104-0464	2	Hardware: Flat Washer 0.734" OD
-	OK60-01098-0001	2	End Cap
-	0017-00101-1776	2	Hardware: Mounting Screw 0.5"
-	0017-00101-1767	2	Hardware: Mounting Screws(4)
-	0017-00101-1768	2	Hardware: Mounting Screw
-	0017-00103-0188	2	Hardware: Flange Lock Nut 3/8" ID
-	0017-00008-0206	2	.33oz Pen - Arctic Silver
-	AK32-00020-0002	2	Coax Cable: 120"
-	AK32-00078-0001	2	Power Extension Cable: 120"
-	0017-00008-0204	2	Paint Spray Can - Arctic Silver
-	0017-00008-0205	2	5 oz Bottle - Arctic Silver
-	0017-00021-2846	2	F-Type Panel Connector

Motor Cover, Leveler and End Caps



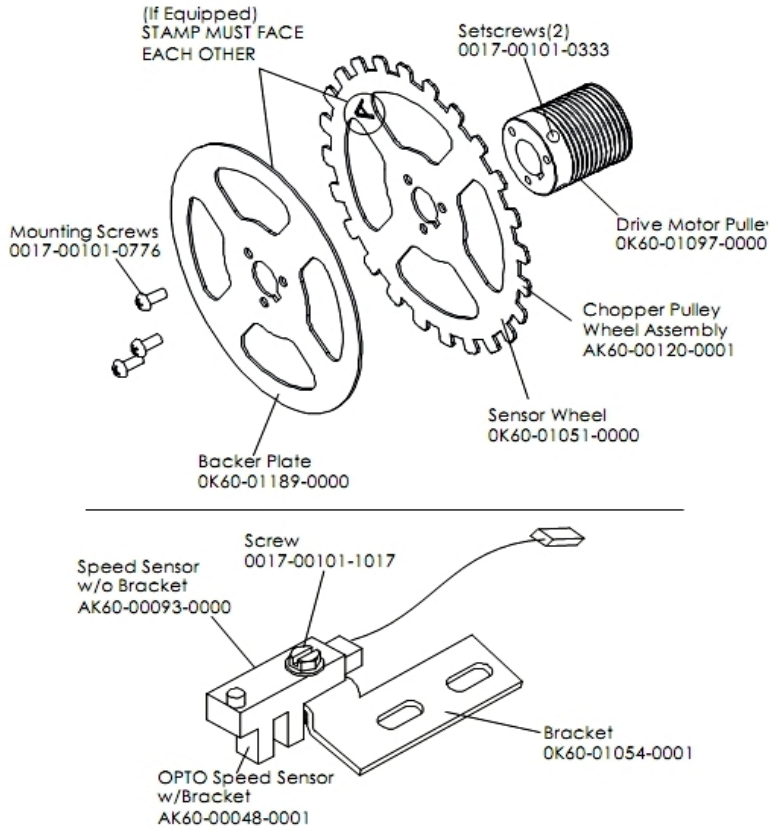
Ref #	Part Number	Qty	Description
-	OK60-01096-0001	4	Anti Skid
-	0017-00101-1256	4	Hardware: Mounting Bolt 5"
-	OK60-01033-0000	4	Leg Leveler
-	0017-00101-1621	8	Hardware: Phillips Screw 0.5"
-	0017-00103-0323	4	Hardware: Nut 1/2" ID
-	0017-00101-1776	16	Hardware: Mounting Screw 0.5"
-	0017-00103-0188	4	Hardware: Flange Lock Nut 3/8" ID
-	OK60-01018-0001	8	End Cap
-	0017-00042-0326	24	Hardware: Plastic Grommet
-	AK60-00033-0002	2	Motor Cover
-	0017-00104-0464	4	Hardware: Flat Washer 0.734" OD

Rear Roller Guards



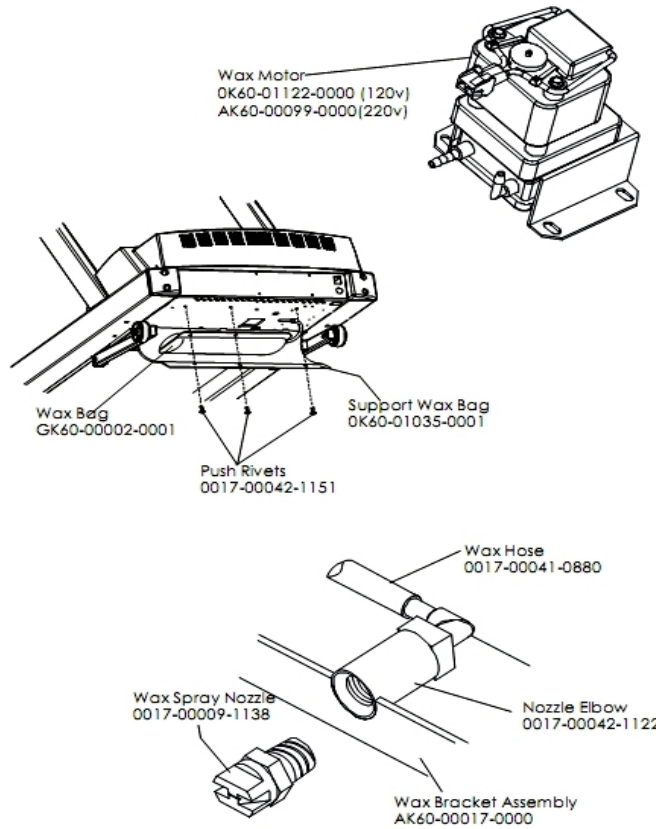
Ref #	Part Number	Qty	Description
-	0017-00101-1779	4	Hardware: Rear Roller Adjusting Bolt
-	0K60-01085-0002	2	Roller Guard: Left
-	0017-00101-1776	4	Hardware: Mounting Screw 0.5"
-	0K60-01085-0001	2	Roller Guard: Right
-	0017-00104-0334	4	Hardware: Flat Washers 0.880" OD

Sensor and Sensor Wheel Assembly



Ref #	Part Number	Qty	Description
-	AK60-00120-0001	2	Chopper Pulley Wheel Assembly
-	AK60-00093-0000	2	Speed Sensor without Bracket
-	0017-00101-1017	2	Hardware: Leg Cover Screws
-	0017-00101-0333	4	Hardware: Screw 0.3125"
-	OK60-01189-0000	2	Backer Plate
-	AK60-00048-0001	2	OPTO Speed Sensor with Bracket
-	OK60-01051-0000	2	Sensor Wheel
-	OK60-01054-0001	2	Bracket
-	OK60-01097-0000	2	Drive Motor Pulley
-	0017-00101-0776	6	Hardware: Mounting Screws

Wax Motor, Wax Bag, Wax Nozzle and Bracket



Ref #	Part Number	Qty	Description
-	0017-00041-0880	2	Wax Hose
-	0017-00042-1151	6	Push Rivets
-	0017-00009-1138	2	Wax Spray Nozzle
-	GK60-00002-0001	2	Wax Bag
-	0017-00042-1122	2	Nozzle Elbow
-	0K60-01035-0001	2	Support Wax Bag
-	AK60-00017-0000	2	Wax Nozzle Assembly
-	AK60-00099-0000	2	Wax Motor: 220V

