

90T Treadmill - 3HP DC

90T-0401-04

Parts Manual

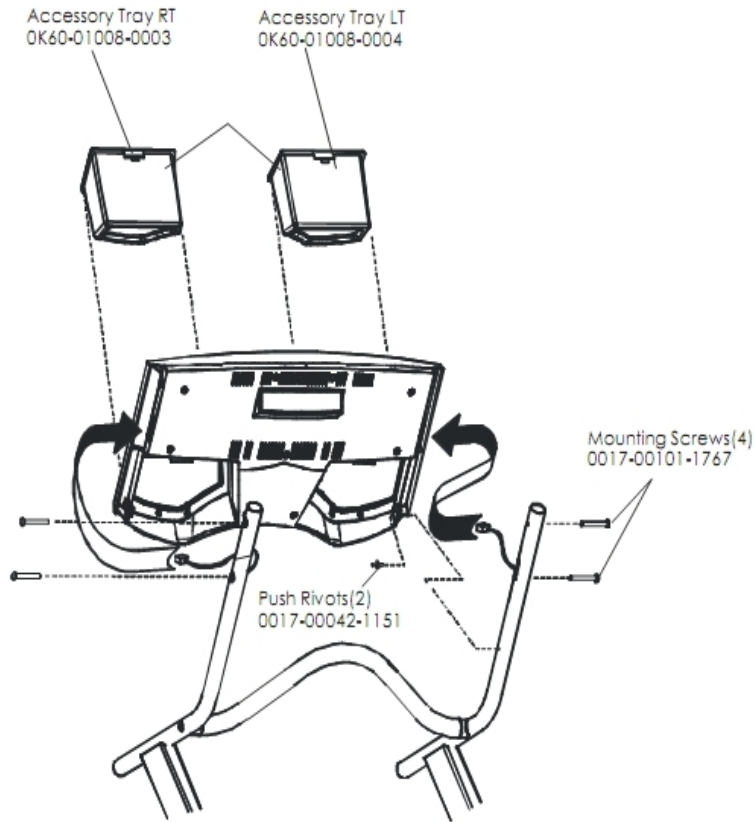
1/5/2019 6:32:29 AM



Table of Contents

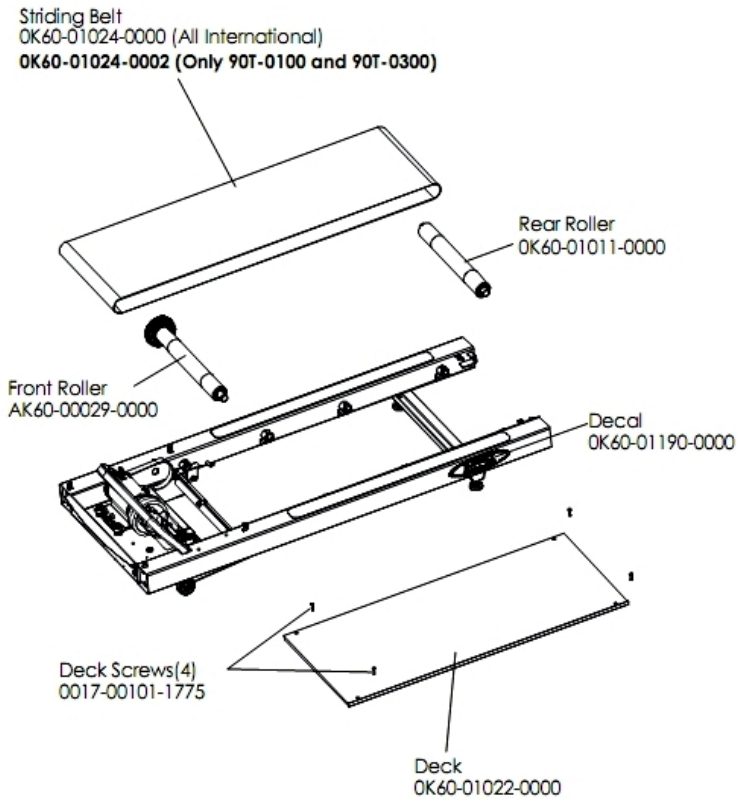
Accessory Trays	3
Belt, Deck, and Rollers	4
Cables	5
Console Assembly 1	6
Console Assembly 2	7
Console Assembly 3	8
Drive Motor Assembly	9
DC Controller and On/Off Switch	10
Ergo Bar and Upright Assembly	11
Lifesprings and Anti-Static Tinsel	12
Lift Frame Assembly	13
Lift Motor and Home Switch	14
Line Cord and Line Filter	15
Miscellaneous	16
Motor Cover, Leveler and End Caps	17
Rear Roller Guards	18
Sensor and Sensor Wheel Assembly	19
Wax Motor, Wax Bag, Wax Nozzle and Bracket	20

Accessory Trays



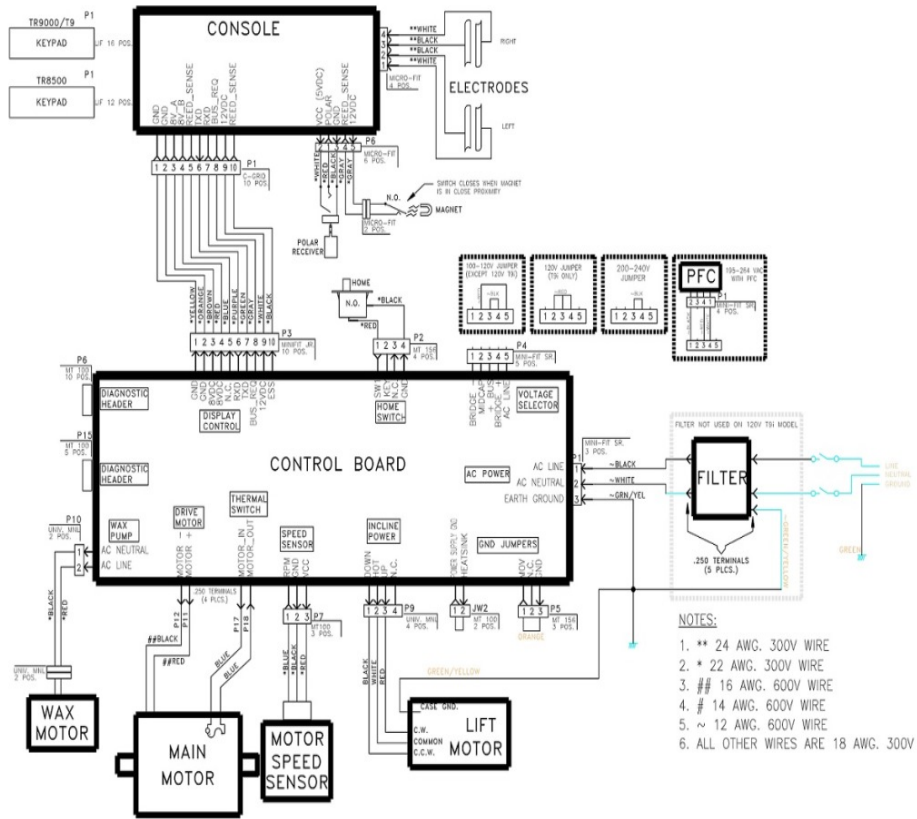
Ref #	Part Number	Qty	Description
-	0017-00101-1767	4	Hardware: Mounting Screws(4)
-	0K60-01008-0003	1	Accessory Tray Right
-	0017-00042-1151	2	Push Rivets
-	0K60-01008-0004	1	Accessory Tray Left

Belt, Deck, and Rollers



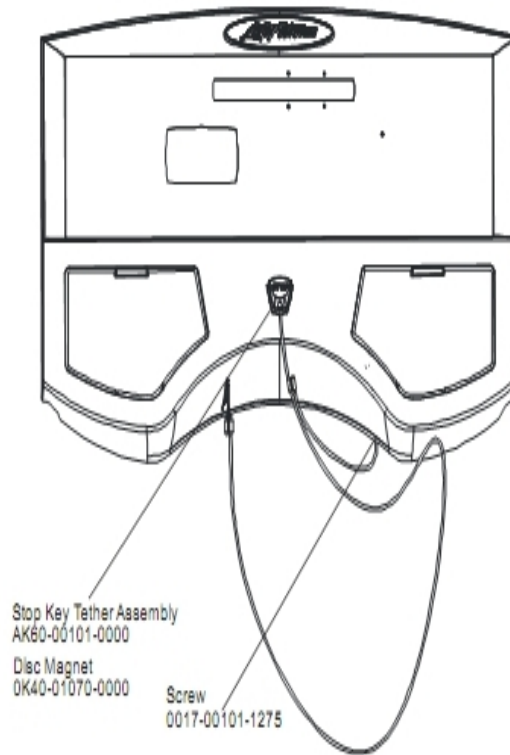
Ref #	Part Number	Qty	Description
-	AK60-00029-0000	1	Front Roller Assembly
-	OK60-01024-0002	1	Striding Belt
-	OK60-01024-0000	1	Striding Belt
-	OK60-01022-0000	1	Deck
-	OK60-01190-0000	2	Decal
-	0017-00101-1775	4	Hardware: Deck Screws 1.25"
-	OK60-01011-0000	1	Rear Roller

Cables



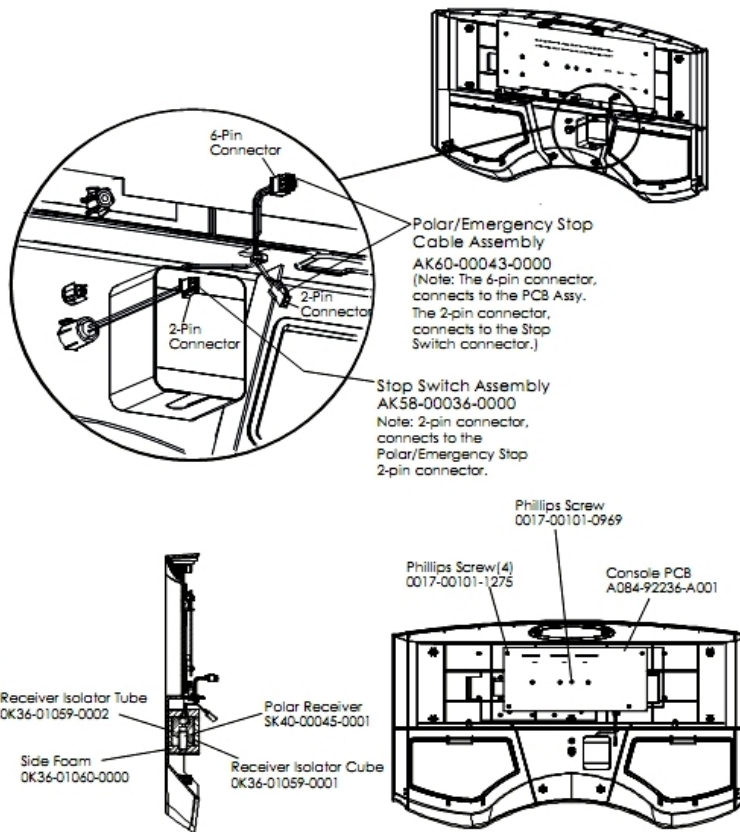
Ref #	Part Number	Qty	Description
-	AK60-00103-0000	1	Power Controller Cable: 120V
-	AK60-00041-0000	1	Wax Pump Cable
-	AK26-00346-0000	1	Cable Assembly - Black
-	AK26-00348-0000	1	Cable: Jumper; Ground
-	AK60-00037-0000	1	Console Cable
-	AK60-00038-0000	1	Home Switch Cable
-	AK26-00347-0000	1	Cable Assembly - White

Console Assembly 1



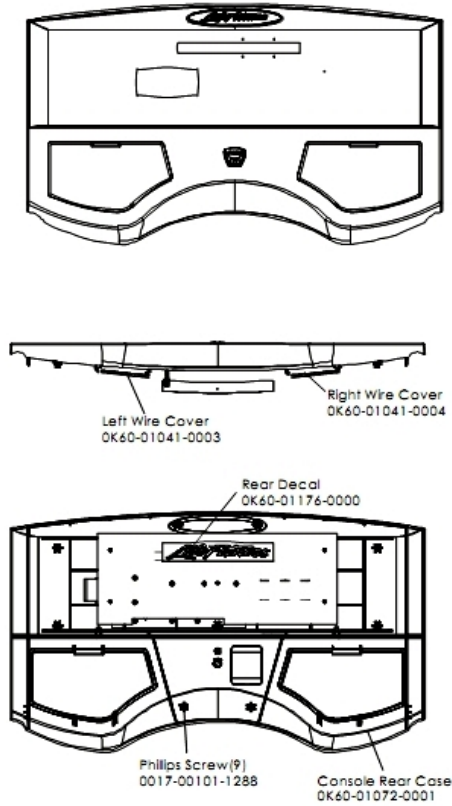
Ref #	Part Number	Qty	Description
-	AK60-00101-0000	1	Stop Key Tether Assembly
-	0K40-01070-0000	1	Magnetic Disk
-	0017-00101-1275	1	Hardware: Phillips Screw 0.375"
-	AK60-00109-0001	1	Overlay/Bezel: English/Metric
-	AK60-00112-0001	1	Console: English/Metric

Console Assembly 2



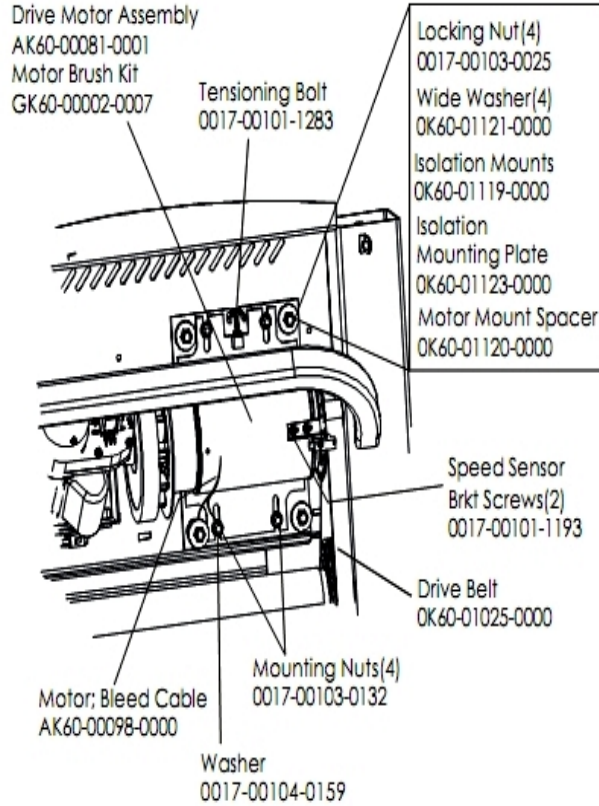
Ref #	Part Number	Qty	Description
-	OK36-01059-0001	1	Isolator Receiver Cube
-	OK36-01059-0002	1	Insulator Receiver Tube
-	A084-92236-A001	1	Console PCB
-	SK40-00045-0001	1	Polar HR Kit
-	AK58-00036-0000	1	Cable-Assembly: Emergency-Stop Switch
-	OK36-01060-0000	1	Side Foam
-	0017-00101-1275	4	Hardware: Phillips Screw 0.375"
-	0017-00101-0969	1	Hardware: Phillips Screw
-	AK60-00043-0000	1	Polar E-Stop Cable

Console Assembly 3



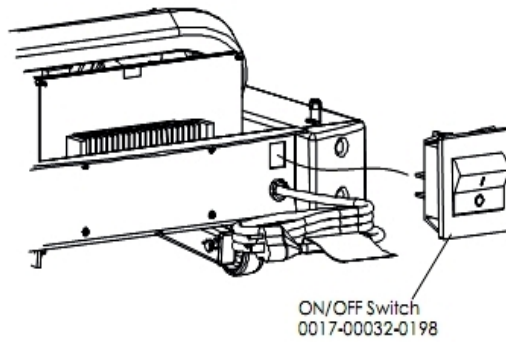
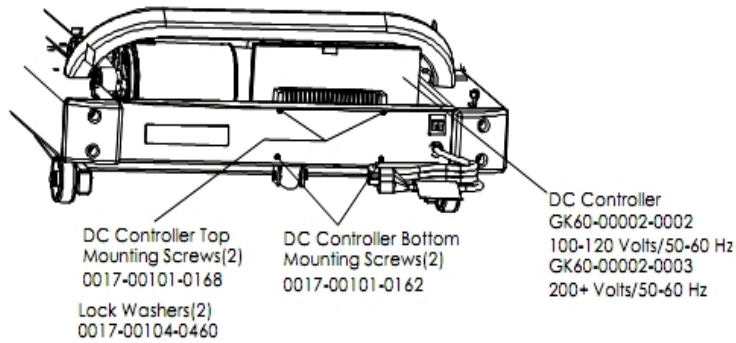
Ref #	Part Number	Qty	Description
-	0017-00101-1288	9	Hardware: Phillips Screw 0.5"
-	OK60-01041-0003	1	Left Wire Cover
-	OK60-01176-0000	1	Rear Decal
-	OK60-01072-0001	1	Console Rear Case
-	OK60-01041-0004	1	Right Wire Cover

Drive Motor Assembly



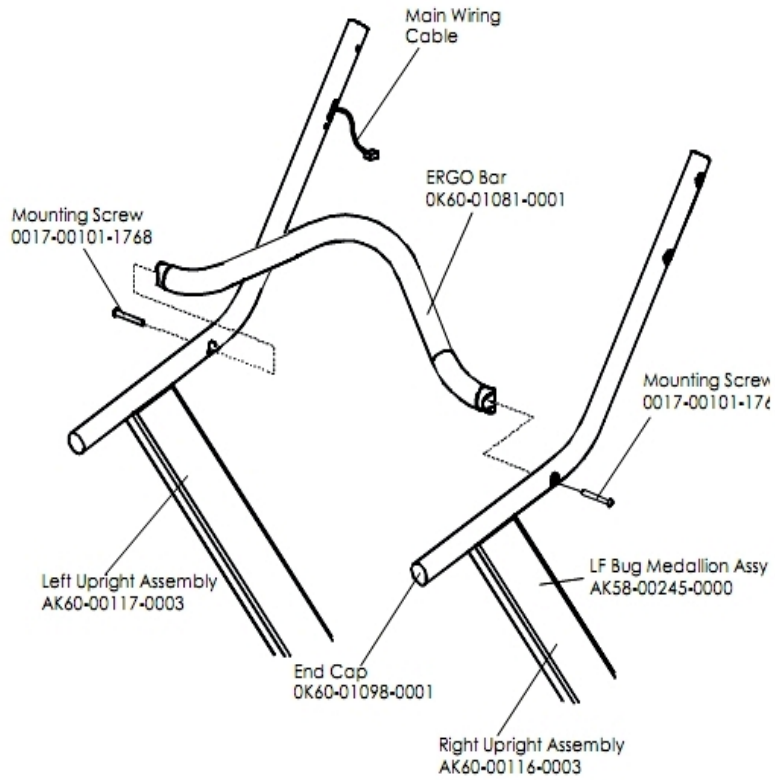
Ref #	Part Number	Qty	Description
-	0017-00104-0159	1	Hardware: Flat Washer 0.75" OD
-	0017-00103-0025	4	Hardware: Locking Nut 3/8" ID
-	0017-00103-0132	4	Hardware: Mounting Nut
-	OK60-01120-0000	1	Motor Mount Spacer
-	GK60-00002-0015	1	Kit: Activate Treadmill Belt And Pulley
-	OK60-01123-0000	1	Isolation Mounting Plate
-	AK60-00081-0001	1	Drive Motor Assembly
-	GK60-00002-0007	1	Motor Brush Kit
-	0017-00101-1193	1	Hardware: Screw 0.375"
-	AK60-00098-0000	1	Current Limit Wires
-	OK60-01121-0000	4	Hardware: Washer
-	OK60-01119-0000	1	Isolator Mount
-	0017-00101-1283	1	Hardware: Tensioning Bolt

DC Controller and On/Off Switch



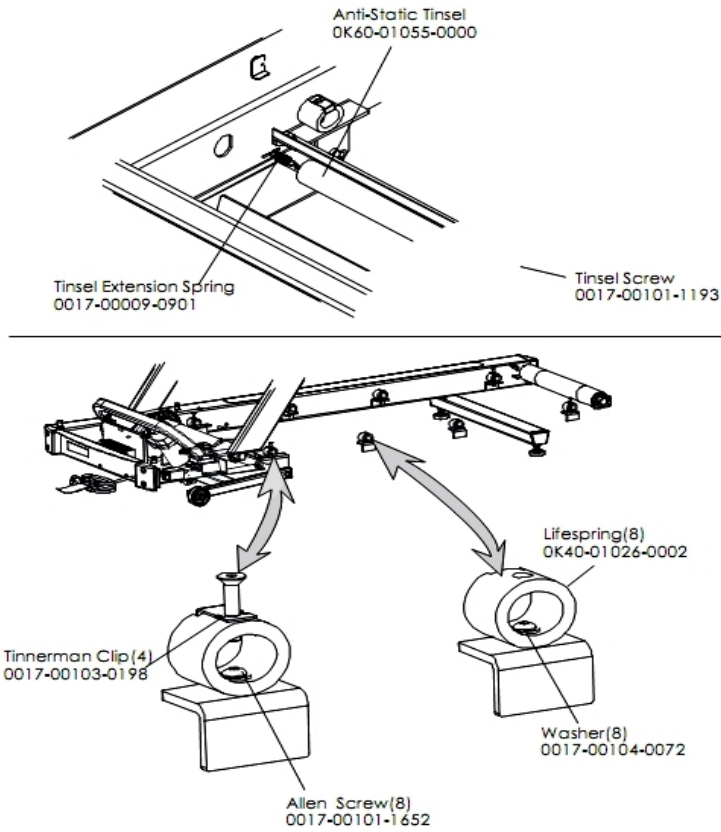
Ref #	Part Number	Qty	Description
-	0017-00032-0198	1	On/Off Switch 22A
-	GK60-00002-0002	1	DC Controller (100-120 Volts)
-	0017-00104-0460	2	Hardware: Lockwasher 0.562" OD
-	0017-00101-0162	2	Hardware: Screw 0.375"
-	0017-00101-0168	2	Hardware: DC Controller Mounting Screws

Ergo Bar and Upright Assembly



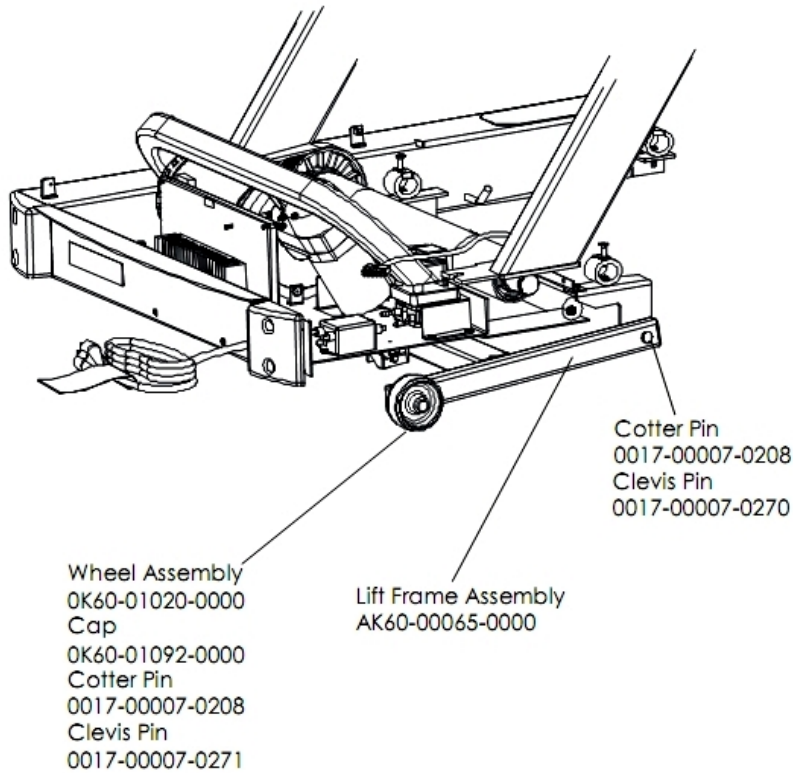
Ref #	Part Number	Qty	Description
-	OK60-01081-0001	1	Ergo Bar
-	AK60-00117-0003	1	Upright Assembly: Left
-	OK60-01098-0001	4	End Cap
-	AK60-00116-0003	1	Upright Assembly: Right
-	0017-00101-1768	2	Hardware: Mounting Screw
-	AK58-00245-0000	1	Bug Medallion

Lifesprings and Anti-Static Tinsel



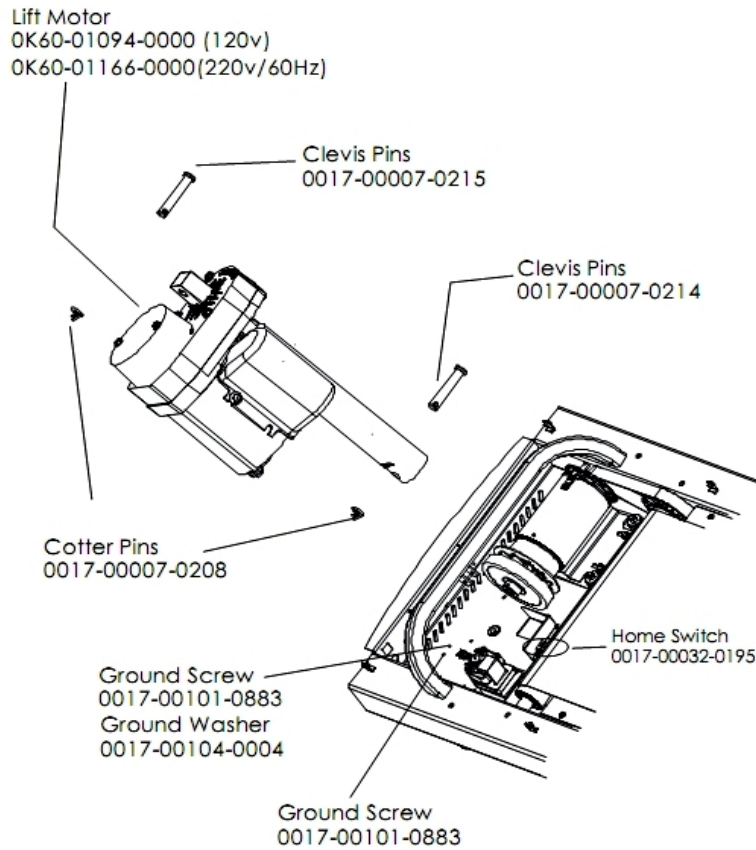
Ref #	Part Number	Qty	Description
-	0K60-01055-0000	1	Anti-Static Tinsel
-	0017-00103-0198	4	Hardware: Tinnerman Clip 1/4" ID
-	0017-00101-1193	1	Hardware: Screw 0.375"
-	0017-00101-1652	8	Hardware: Spring Mounting Screw 1"
-	0017-00009-0901	1	Tinsel Extension Spring
-	0017-00104-0072	8	Hardware: Flat Washer 0.562" OD
-	OK40-01026-0002	8	Deck Spring

Lift Frame Assembly



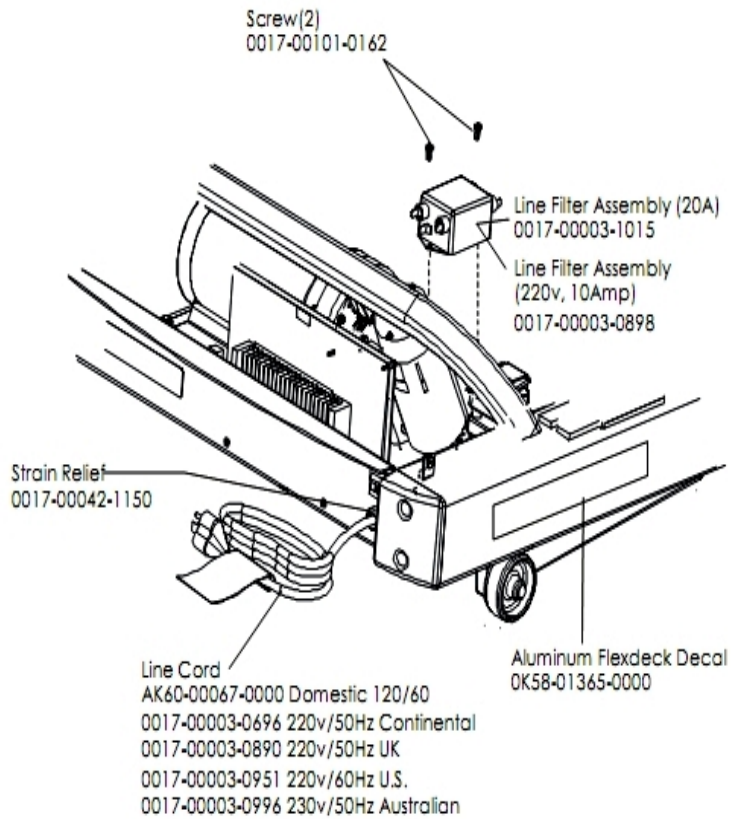
Ref #	Part Number	Qty	Description
-	6836601	2	Cap, End 1 X 1-1/2 11 GA
-	0017-00007-0208	4	Hardware: Cotter Pin
-	AK60-00065-0000	1	Lift Frame Assembly
-	0K60-01020-0000	1	Wheel
-	0017-00007-0270	2	Hardware: Clevis Pin - 1/2" D 1.5" L
-	0017-00007-0271	2	Hardware: Clevis Pin - 1/2" D 2.75" L

Lift Motor and Home Switch



Ref #	Part Number	Qty	Description
-	0017-00101-0883	2	Hardware: Screw 0.375"
-	0017-00032-0195	1	Home Switch
-	0017-00104-0004	1	Hardware: Washer
-	OK60-01094-0000	1	Motor: Lift DOM 100V-120V
-	0017-00007-0214	1	Hardware: Clevis Pin 3/8" D 1.75" L
-	0017-00007-0215	1	Hardware: Clevis Pin - 3/8" D 2.25" L
-	0017-00007-0208	2	Hardware: Cotter Pin

Line Cord and Line Filter

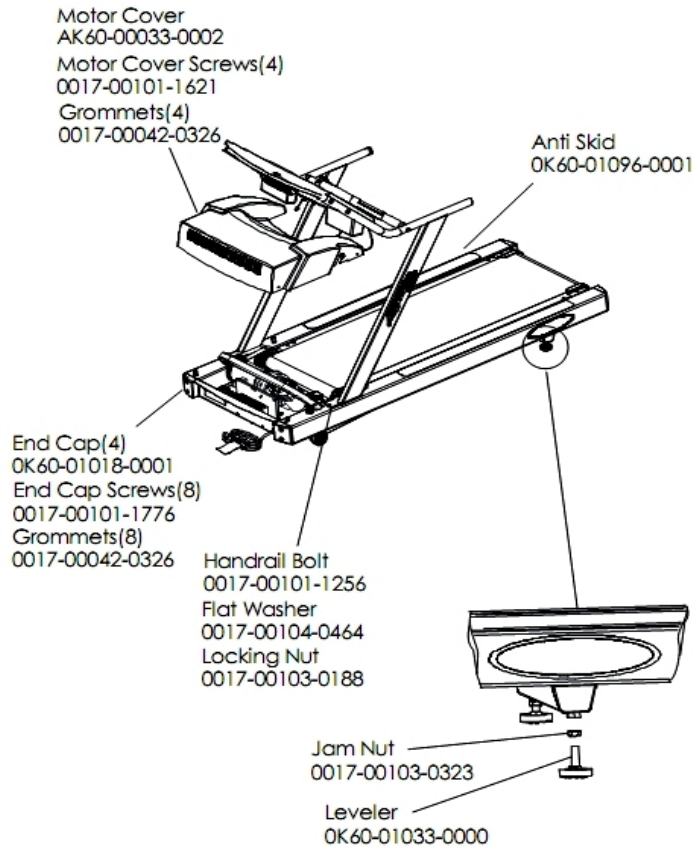


Ref #	Part Number	Qty	Description
-	0K58-01365-0000	1	Decal
-	0017-00101-0162	2	Hardware: Screw 0.375"
-	0017-00042-1150	1	Strain Relief
-	AK60-00067-0000	1	Line Cord: US; 120/60
-	0017-00003-1015	1	20 amp Line Filter (DOM)

Miscellaneous

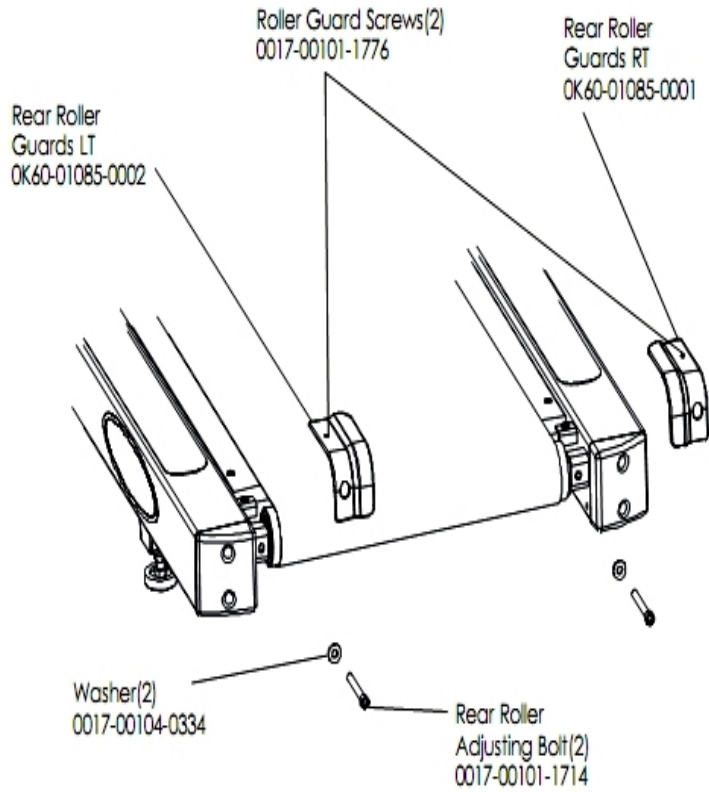
Ref #	Part Number	Qty	Description
-	0017-00042-1151	5	Push Rivets
-	0017-00101-1256	4	Hardware: Mounting Bolt 5"
-	0017-00104-0464	4	Hardware: Flat Washer 0.734" OD
-	0K60-01098-0001	4	End Cap
-	0017-00101-1776	10	Hardware: Mounting Screw 0.5"
-	0017-00101-1767	4	Hardware: Mounting Screws(4)
-	0017-00101-1768	2	Hardware: Mounting Screw
-	0017-00103-0188	4	Hardware: Flange Lock Nut 3/8" ID
-	0017-00008-0206	1	.33oz Pen - Arctic Silver
-	AK32-00020-0002	1	Coax Cable: 120"
-	AK32-00078-0001	1	Power Extension Cable: 120"
-	0017-00008-0204	1	Paint Spray Can - Arctic Silver
-	0017-00021-2846	1	F-Type Panel Connector
-	0017-00008-0205	1	5 oz Bottle - Arctic Silver

Motor Cover, Leveler and End Caps



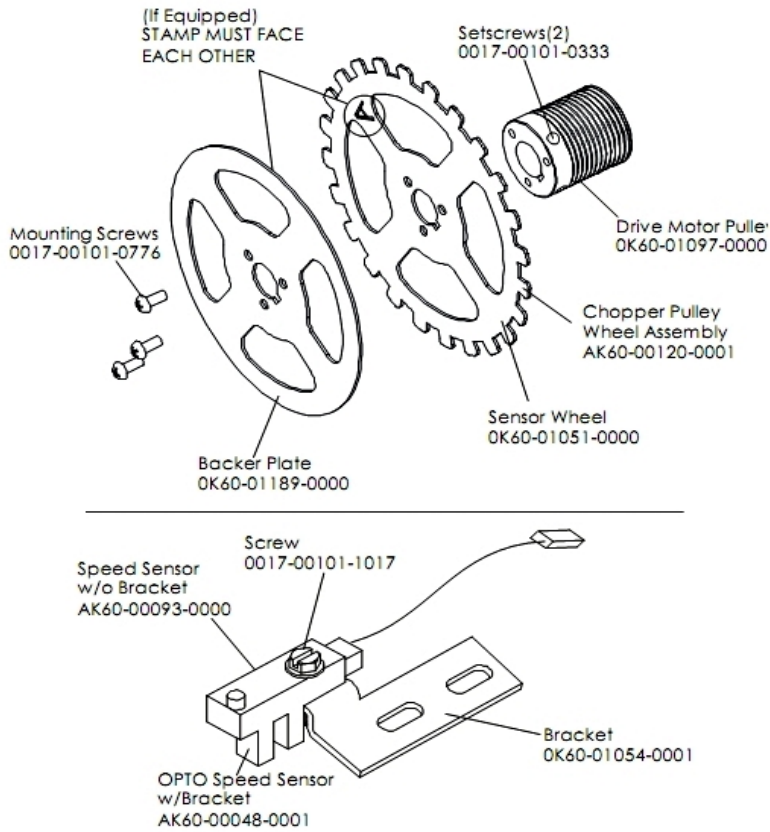
Ref #	Part Number	Qty	Description
-	0017-00101-1621	4	Hardware: Phillips Screw 0.5"
-	AK60-00033-0002	1	Motor Cover
-	OK60-01096-0001	2	Anti Skid
-	0017-00101-1776	8	Hardware: Mounting Screw 0.5"
-	0017-00103-0323	2	Hardware: Nut 1/2" ID
-	0017-00104-0464	2	Hardware: Flat Washer 0.734" OD
-	OK60-01018-0001	4	End Cap
-	0017-00042-0326	12	Hardware: Plastic Grommet
-	OK60-01033-0000	2	Leg Leveler
-	0017-00101-1256	2	Hardware: Mounting Bolt 5"
-	0017-00103-0188	2	Hardware: Flange Lock Nut 3/8" ID

Rear Roller Guards



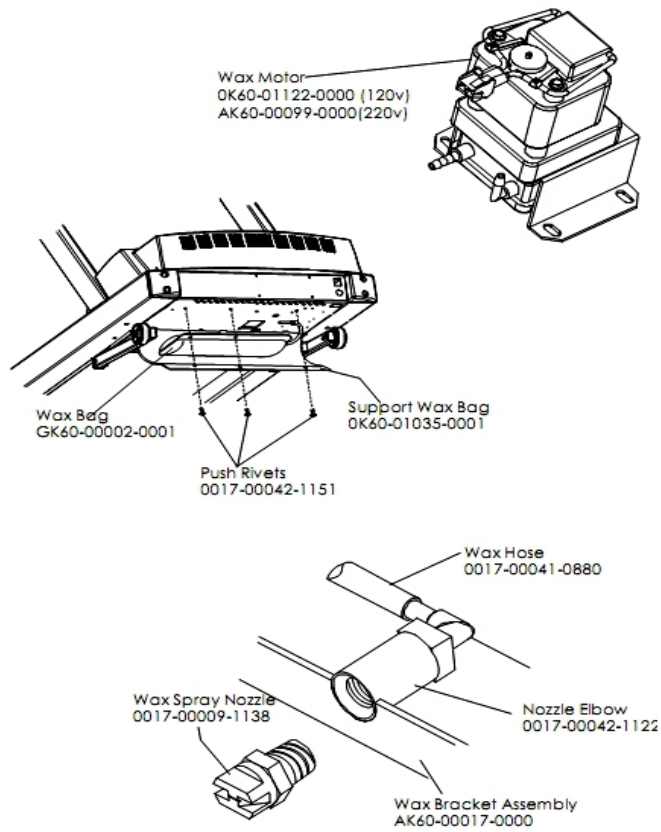
Ref #	Part Number	Qty	Description
-	0017-00101-1779	2	Hardware: Rear Roller Adjusting Bolt
-	OK60-01085-0001	1	Roller Guard: Right
-	0017-00101-1776	2	Hardware: Mounting Screw 0.5"
-	0017-00104-0334	2	Hardware: Flat Washers 0.880" OD
-	OK60-01085-0002	1	Roller Guard: Left

Sensor and Sensor Wheel Assembly



Ref #	Part Number	Qty	Description
-	AK60-00120-0001	1	Chopper Pulley Wheel Assembly
-	AK60-00048-0001	1	OPTO Speed Sensor with Bracket
-	OK60-01051-0000	1	Sensor Wheel
-	OK60-01054-0001	1	Bracket
-	OK60-01189-0000	1	Backer Plate
-	0017-00101-0776	3	Hardware: Mounting Screws
-	AK60-00093-0000	1	Speed Sensor without Bracket
-	0017-00101-1017	1	Hardware: Leg Cover Screws
-	0017-00101-0333	2	Hardware: Screw 0.3125"
-	OK60-01097-0000	1	Drive Motor Pulley

Wax Motor, Wax Bag, Wax Nozzle and Bracket



Ref #	Part Number	Qty	Description
-	0017-00042-1151	3	Push Rivets
-	0K60-01122-0000	1	Wax Motor (120v)
-	0K60-01035-0001	1	Support Wax Bag
-	0017-00009-1138	1	Wax Spray Nozzle
-	GK60-00002-0001	1	Wax Bag
-	0017-00042-1122	1	Nozzle Elbow
-	0017-00041-0880	1	Wax Hose
-	AK60-00017-0000	1	Wax Nozzle Assembly

