

# 90X Cross-Trainer

90X-0103-01

## Parts Manual

1/5/2019 6:43:57 AM

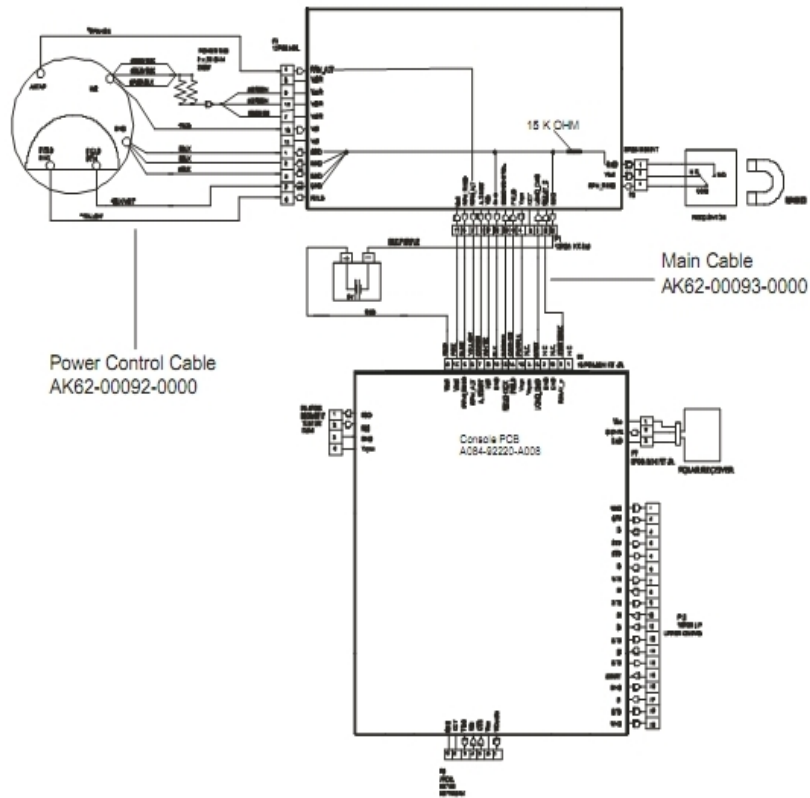


**Table of Contents**

---

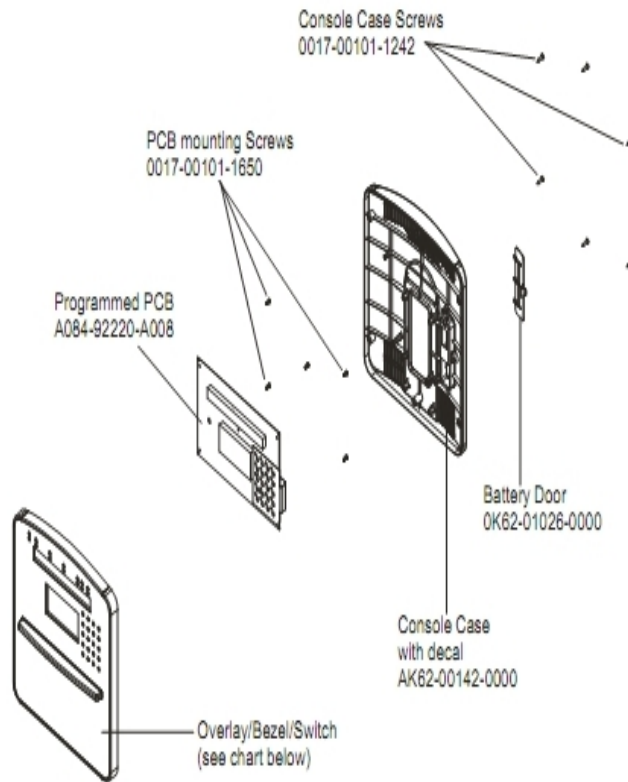
[Cables.....](#)3  
[Console and Related Components.....](#)4  
[Console Support and Deadshaft Covers.....](#)5  
[Crank Cover and Lower Caps.....](#)6  
[Drive Module Components and Cable.....](#)7  
[Drive Module Hardware.....](#)8  
[Handlebars and Bullhorns.....](#)9  
[Lower Frame Shrouds and Hardware.....](#)10  
[Pedal Lever Assembly Components.....](#)11  
[References.....](#)13  
[Rocker Arms and Pedal Levers.....](#)14  
[Upper Frame Hardware.....](#)15

### Cables



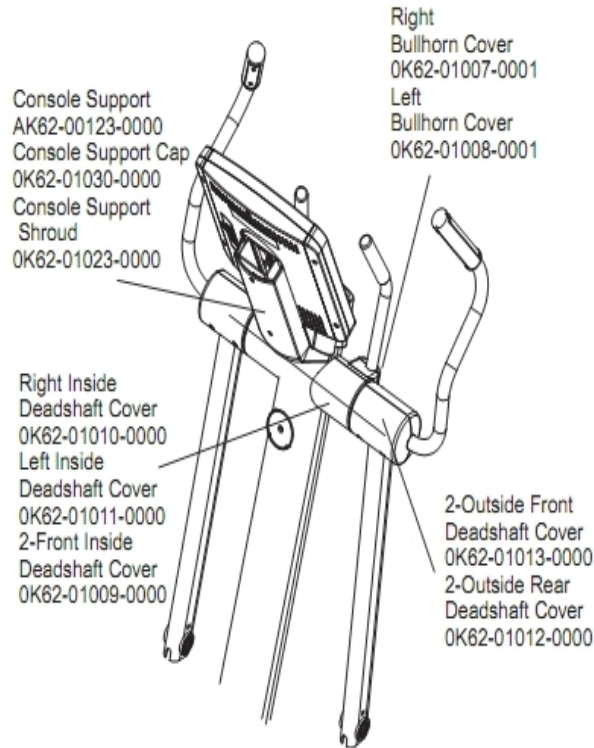
| Ref # | Part Number     | Qty | Description         |
|-------|-----------------|-----|---------------------|
| -     | AK62-00093-0000 | 1   | Main Cable          |
| -     | A084-92220-A008 | 1   | Console PCB         |
| -     | AK62-00092-0000 | 1   | Power Control Cable |

## Console and Related Components



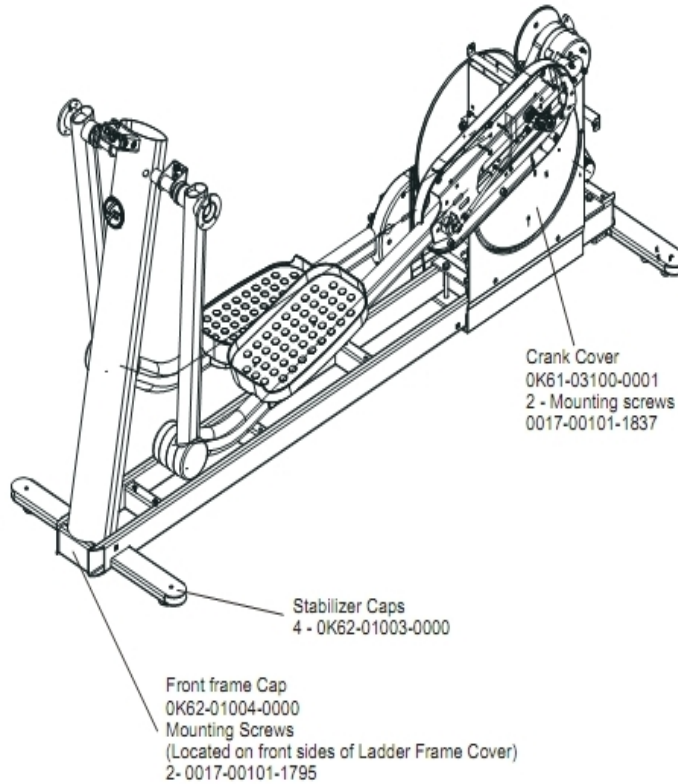
| Ref # | Part Number     | Qty | Description                               |
|-------|-----------------|-----|---|
| -     | 0017-00101-1242 | 6   | Hardware: Phillips Pan Screw 0.75"        |
| -     | AK62-00151-0001 | 1   | Console: English/Metric                   |
| -     | 0017-00101-1650 | 5   | Hardware: Phillips Pan Screw 0.375"       |
| -     | AK62-00189-0001 | 1   | Bezel Switch with Overlay: English/Metric |
| -     | 0K62-01026-0000 | 1   | Battery Door                              |
| -     | A084-92220-A008 | 1   | Console PCB                               |
| -     | AK62-00142-0000 | 1   | Console Case with Decal                   |

## Console Support and Deadshaft Covers



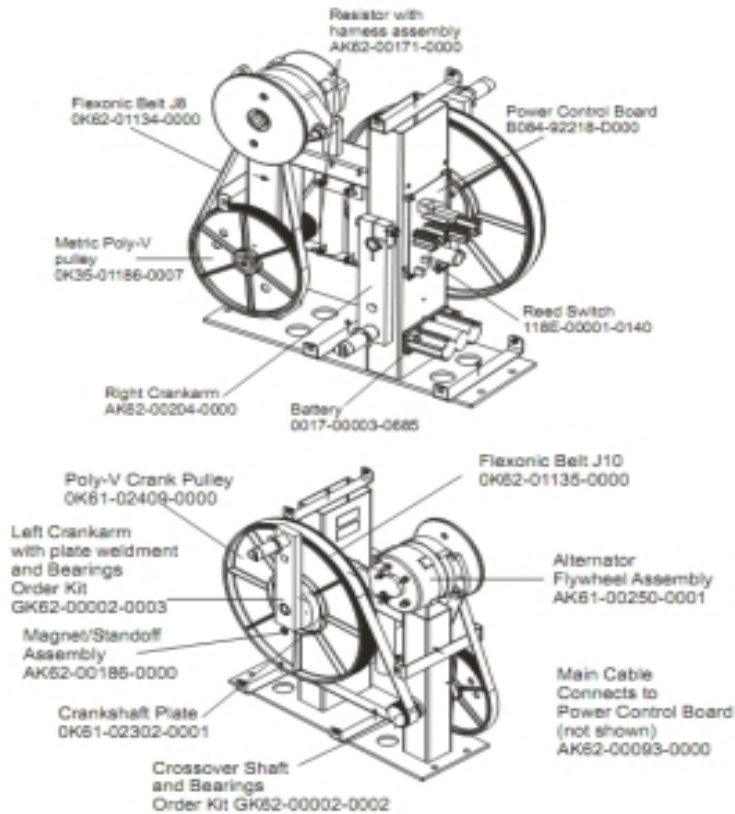
| Ref # | Part Number     | Qty | Description                   |
|-------|-----------------|-----|-------------------------------|
| -     | OK62-01009-0000 | 2   | Front Inside Deadshaft Cover  |
| -     | OK62-01023-0001 | 1   | Console Support Shroud        |
| -     | AK62-00123-0000 | 1   | Console Support               |
| -     | OK62-01007-0001 | 1   | Bullhorn Cover Right          |
| -     | OK62-01008-0001 | 1   | Bullhorn Cover Left           |
| -     | OK62-01011-0000 | 1   | Left Inside Deadshaft Cover   |
| -     | OK62-01010-0000 | 1   | Right Inside Deadshaft Cover  |
| -     | OK62-01030-0001 | 1   | Console Support Cap           |
| -     | OK62-01013-0000 | 2   | Rear Outside Deadshaft Cover  |
| -     | OK62-01012-0000 | 2   | Front Outside Deadshaft Cover |

## Crank Cover and Lower Caps



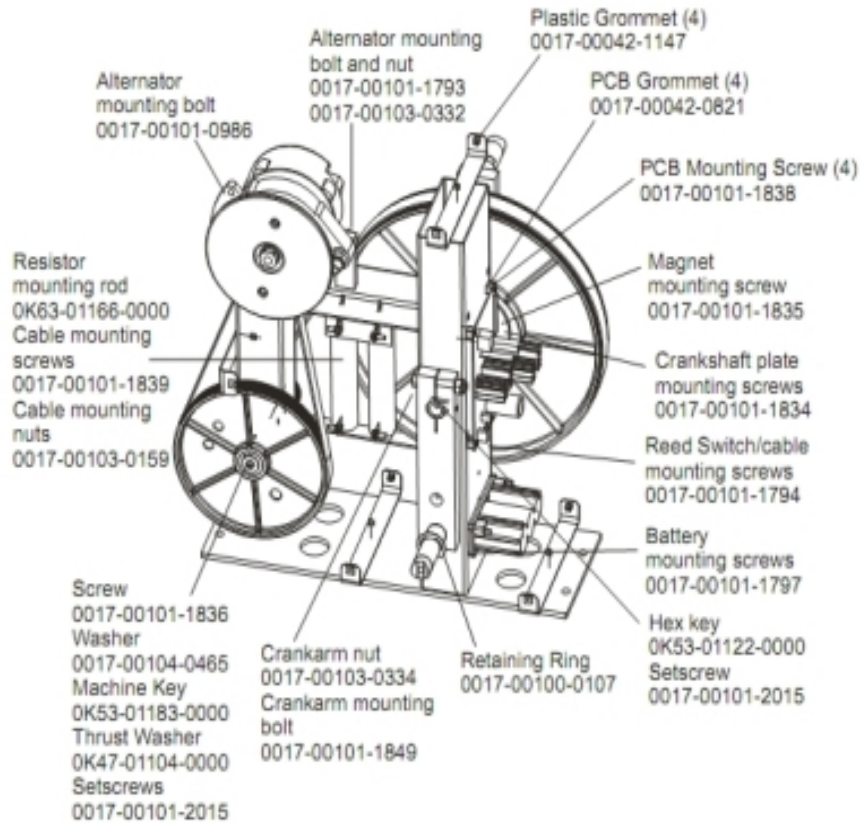
| Ref # | Part Number     | Qty | Description                  |
|-------|-----------------|-----|------------------------------|
| -     | 0K68-01130-0200 | 4   | CAP; STABILIZER; SHADOW GREY |
| -     | 0K61-03100-0001 | 1   | Crank Cover                  |
| -     | 0017-00101-1837 | 2   | Hardware: Screw 18MM         |
| -     | 0017-00101-1795 | 2   | Hardware: Mounting Screw     |
| -     | 0K62-01004-0002 | 1   | Front frame Cap              |

## Drive Module Components and Cable



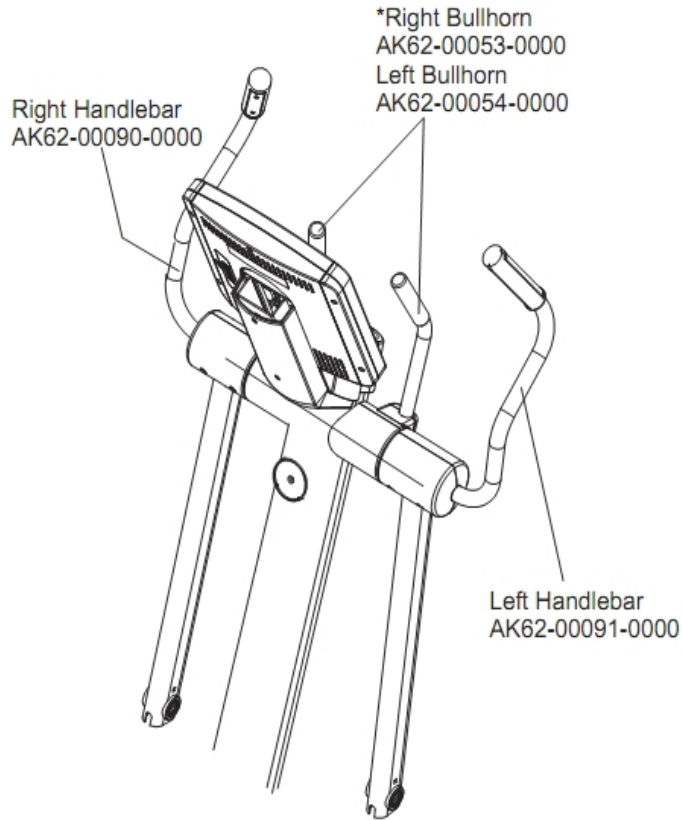
| Ref # | Part Number     | Qty | Description                          |
|-------|-----------------|-----|--------------------------------------|
| -     | GK62-00002-0002 | 1   | Crossover Shaft and Bearing Assembly |
| -     | GK62-00002-0003 | 1   | Left Crankarm Assembly               |
| -     | AK62-00093-0000 | 1   | Main Cable                           |
| -     | AK62-00186-0000 | 1   | Magnet-Standoff Assembly             |
| -     | 118E-00001-0140 | 1   | Reed Switch SPDT                     |
| -     | AK62-00204-0000 | 1   | Right Crankarm                       |
| -     | GK61-02302-0001 | 1   | Crankshaft Plate                     |
| -     | GK35-01186-0007 | 1   | Poly-V Pulley                        |
| -     | GK61-02409-0000 | 1   | Poly-V Crank Pulley                  |
| -     | B084-92218-0000 | 1   | PCB Circuit Board                    |
| -     | GK62-01135-0000 | 1   | Drive Belt                           |
| -     | AK62-00171-0000 | 1   | Resistor with Harness Assembly       |
| -     | AK61-00250-0001 | 1   | Alternator w/Flywheel                |
| -     | 0017-00003-0685 | 1   | 6V Battery                           |
| -     | GK62-01134-0000 | 1   | Flexionic Belt                       |

## Drive Module Hardware



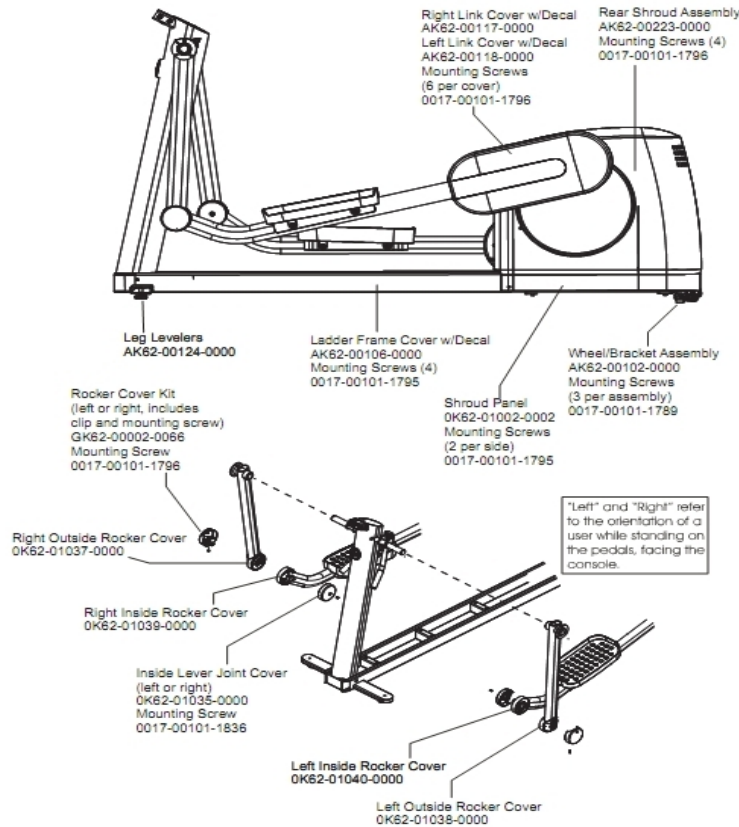
| Ref # | Part Number     | Qty | Description                        |
|-------|-----------------|-----|------------------------------------|
| -     | 0K53-01122-0000 | 1   | Square Key                         |
| -     | 0017-00101-1834 | 1   | Hardware: Screw 24MM               |
| -     | 0K47-01104-0000 | 1   | Hardware: Thrust Washer            |
| -     | 0K63-01166-0000 | 1   | Resistor Mounting Rod              |
| -     | 0017-00100-0107 | 1   | Hardware: E-Ring 1"                |
| -     | 0017-00101-1835 | 1   | Hardware: Screw 10MM               |
| -     | 0017-00104-0465 | 1   | Hardware: Flat Washer 23MM OD      |
| -     | 0017-00101-1794 | 1   | Hardware: Screw 10MM               |
| -     | 0017-00101-1838 | 4   | Hardware: Mounting Screw 19 MM     |
| -     | 0017-00101-1849 | 1   | Hardware: Crank arm mounting bolt  |
| -     | 0017-00103-0334 | 1   | Hardware: Nut 10 MM                |
| -     | 0017-00101-2015 | 2   | Hardware: Pulley Set Screw 15 MM   |
| -     | 0017-00101-1836 | 1   | Hardware: Screw 10 MM              |
| -     | 0017-00101-1797 | 2   | Hardware: Mounting Screw 16 MM     |
| -     | 0017-00042-0821 | 4   | Hardware: Plastic Grommet          |
| -     | 0017-00101-1793 | 1   | Hardware: Alternator Mounting Bolt |
| -     | 0017-00042-0754 | 4   | Hardware: Grommet                  |
| -     | 0017-00103-0159 | 1   | Hardware: Mounting Nut             |
| -     | 0017-00103-0332 | 1   | Hardware: Mounting Nut             |
| -     | 0017-00101-0986 | 1   | Hardware: Bolt 0.75"               |
| -     | 0017-00101-1839 | 1   | Hardware: Cable Mounting Screw     |
| -     | 0K53-01183-0000 | 1   | Hex key                            |

## Handlebars and Bullhorns



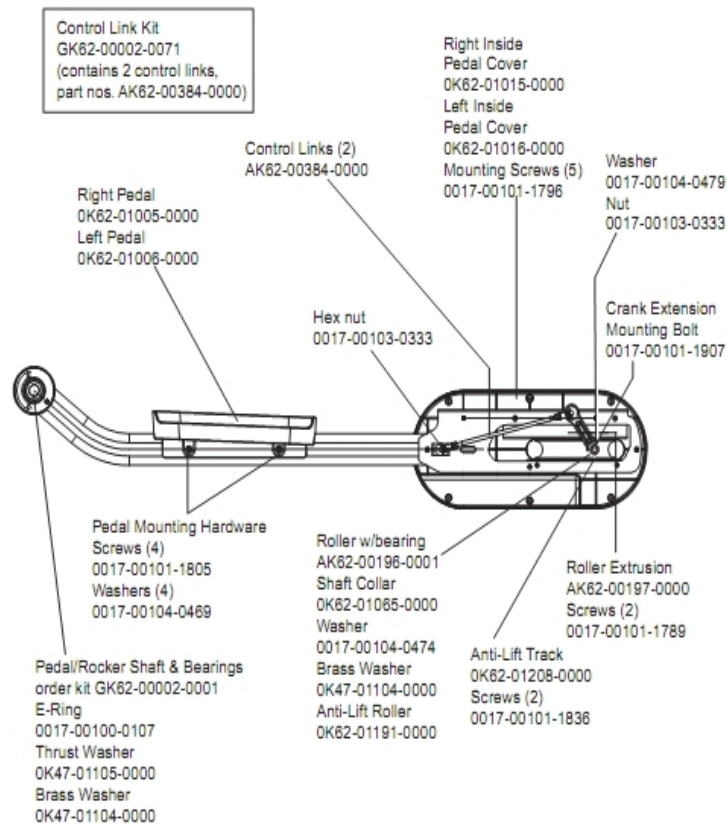
| Ref # | Part Number     | Qty | Description      |
|-------|-----------------|-----|------------------|
| -     | 0K62-01199-0001 | 2   | Bullhorn Gasket  |
| -     | AK62-00091-0000 | 1   | Handlebar: Left  |
| -     | AK62-00057-0001 | 1   | Right Bullhorn   |
| -     | AK62-00058-0001 | 1   | Left Bullhorn    |
| -     | 0K62-01136-0000 | 2   | Grip             |
| -     | AK62-00090-0000 | 1   | Handlebar: Right |
| -     | AK62-00053-0001 | 1   | Right Bullhorn   |
| -     | AK62-00054-0001 | 1   | Left Bullhorn    |

## Lower Frame Shrouds and Hardware



| Ref # | Part Number     | Qty | Description                    |
|-------|-----------------|-----|--------------------------------|
| -     | AK62-00118-0000 | 1   | Link Cover with Decal: Left    |
| -     | AK62-00124-0000 | 2   | Leg Leveler                    |
| -     | OK62-01038-0000 | 1   | Left Inside Rocker Cover       |
| -     | OK62-01037-0000 | 1   |                                |
| -     | AK62-00117-0000 | 1   | Link Cover with Decal: Right   |
| -     | GK62-00002-0066 | 1   | Rocker Cover Kit               |
| -     | 0017-00101-1795 | 8   | Hardware: Mounting Screw       |
| -     | 0017-00101-1836 | 1   | Hardware: Screw 10 MM          |
| -     | AK62-00102-0000 | 1   | Wheel/Bracket Assembly         |
| -     | AK62-00223-0000 | 1   | Rear Shroud Assembly           |
| -     | OK62-01002-0003 | 1   | Shroud Panel                   |
| -     | 0017-00101-1789 | 6   | Hardware: Mounting Screws      |
| -     | OK62-01039-0000 | 1   | Right Inside Lever Joint Cover |
| -     | 0017-00101-1796 | 17  | Hardware: Mounting Screw 19 MM |
| -     | OK62-01040-0000 | 1   | Left Inside Lever Joint Cover  |
| -     | AK62-00106-0001 | 1   | Ladder Frame Cover with Decal  |
| -     | OK62-01035-0000 | 1   | Inside Lever Joint Cover       |

# Pedal Lever Assembly Components



| Ref # | Part Number     | Qty | Description                             |
|-------|-----------------|-----|---|
| -     | 0017-00103-0333 | 4   | Hardware: Hex Nut                       |
| -     | 0017-00101-1805 | 8   | Hardware: TORX Screw 25 MM              |
| -     | 0017-00101-1907 | 2   | Hardware: Crank Extension Mounting Bolt |
| -     | 0017-00104-0469 | 8   | Hardware: Flat Washer 16MM OD           |
| -     | 0017-00101-1836 | 4   | Hardware: Screw 10 MM                   |
| -     | 0017-00104-0479 | 2   | Hardware: Flat Washer 25.4MM OD         |
| -     | OK62-01015-0000 | 1   | Inside Pedal Cover Right                |
| -     | OK62-01065-0000 | 2   | Shaft Collar                            |
| -     | OK47-01104-0000 | 4   | Hardware: Thrust Washer                 |
| -     | 0017-00100-0107 | 2   | Hardware: E-Ring 1"                     |
| -     | AK62-00196-0001 | 2   | Roller with Bearing                     |
| -     | AK62-00197-0000 | 2   | Roller Extrusion                        |
| -     | GK62-00002-0001 | 2   | Pedal/Rocker Shaft and Bearings         |
| -     | GK62-00002-0071 | 6   | Control Link Kit                        |
| -     | 0017-00101-1789 | 4   | Hardware: Mounting Screws               |
| -     | OK62-01005-0000 | 1   | Left Pedal                              |
| -     | OK62-01006-0000 | 1   | Right Pedal                             |
| -     | OK62-01016-0000 | 1   | Inside Pedal Cover Left                 |
| -     | OK62-01208-0000 | 2   | Anti-Lift Track                         |
| -     | 0017-00101-1796 | 10  | Hardware: Mounting Screw 19 MM          |
| -     | 0017-00104-0474 | 2   | Hardware: Washer                        |
| -     | OK47-01105-0000 | 2   | Hardware: Hardened Thrust Washer        |

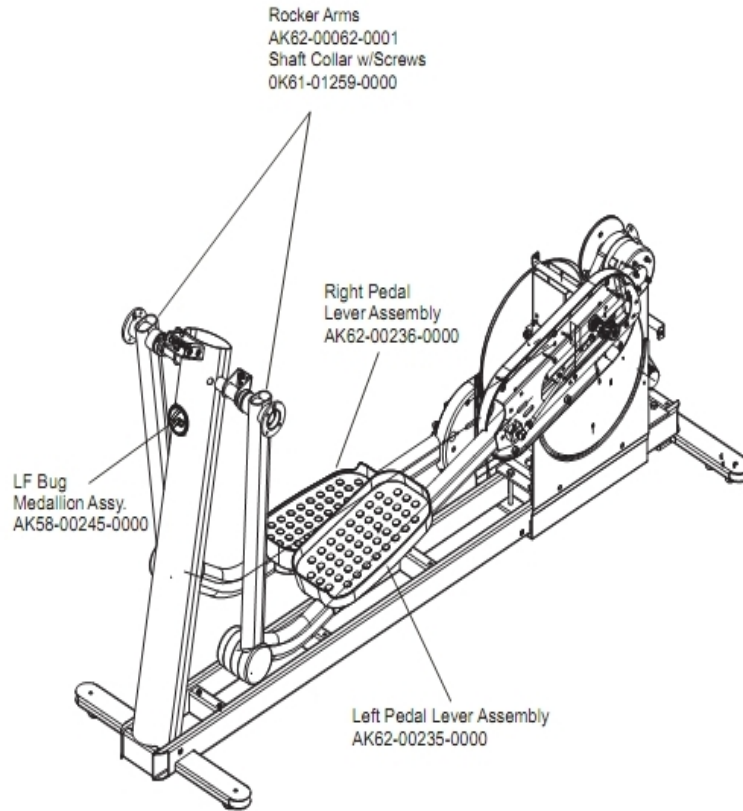
| <b>Ref #</b> | <b>Part Number</b> | <b>Qty</b> | <b>Description</b> |
|--------------|--------------------|------------|--------------------|
| -            | 0K62-01191-0000    | 2          | Anti-Lift Roller   |

## References

---

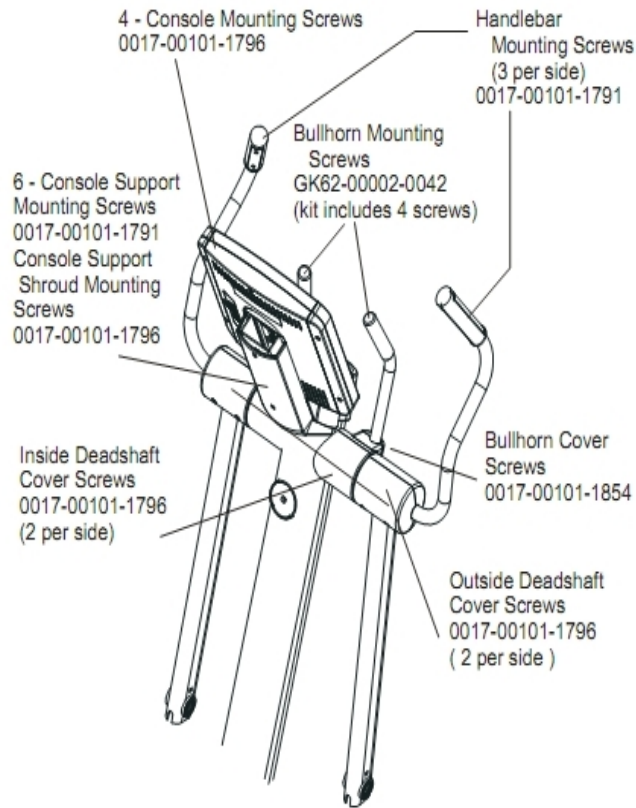
| Ref # | Part Number     | Qty | Description           |
|-------|-----------------|-----|-----------------------|
| -     | GK62-00002-0021 | 1   | Plug in Option 230/50 |
| -     | AK62-00152-0001 | 1   | Hardware Bag          |
| -     | GK47-00002-0003 | 1   | Telemetry Kit         |

## Rocker Arms and Pedal Levers



| Ref # | Part Number     | Qty | Description                |
|-------|-----------------|-----|----------------------------|
| -     | AK62-00235-0000 | 1   | Left Pedal Lever Assembly  |
| -     | 0K61-01259-0000 | 2   | Shaft Split Collar         |
| -     | AK58-00245-0000 | 1   | Bug Medallion              |
| -     | GK62-00002-0070 | 4   | Rocker Arm Kit             |
| -     | AK62-00236-0000 | 1   | Right Pedal Lever Assembly |

## Upper Frame Hardware



| Ref # | Part Number     | Qty | Description  |
|-------|-----------------|-----|--|
| -     | 0K62-01022-0202 | 1   | Accessory Tray                                     |
| -     | 0017-00101-1846 | 2   | Hardware: Phillips Pan Screw 10 MM                 |
| -     | 0017-00101-1791 | 12  | Hardware: TORX Screw 19 MM                         |
| -     | 0017-00101-1876 | 1   | Hardware: M 8X1.25-6G6GX 22 DIN TRX FLT CS ST BZ B |
| -     | 0017-00101-1796 | 13  | Hardware: Mounting Screw 19 MM                     |
| -     | 0017-00101-1854 | 1   | Hardware: Bullhorn Cover Screw 44MM                |

