

90X Cross-Trainer - Prewired - Heart Rate

90X-0400-04

Parts Manual

1/5/2019 6:46:52 AM



Table of Contents

Bearing Insert Assembly.....	3
Cables.....	4
Console and Related Components.....	5
Console Support and Deadshaft Covers.....	6
Crank Arm Pulley Assembly.....	7
Crank Cover and Lower Caps.....	8
Drive Module.....	9
Drive Module Hardware.....	10
Handlebars and Bullhorns.....	11
Lower Frame Shrouds and Hardware.....	12
Miscellaneous.....	13
Pedal Lever Assembly Components.....	14
PCB, Battery, Reed Switch and Bracket.....	16
Rocker Arms and Pedal Levers.....	17
Upper Frame Hardware.....	18

Bearing Insert Assembly

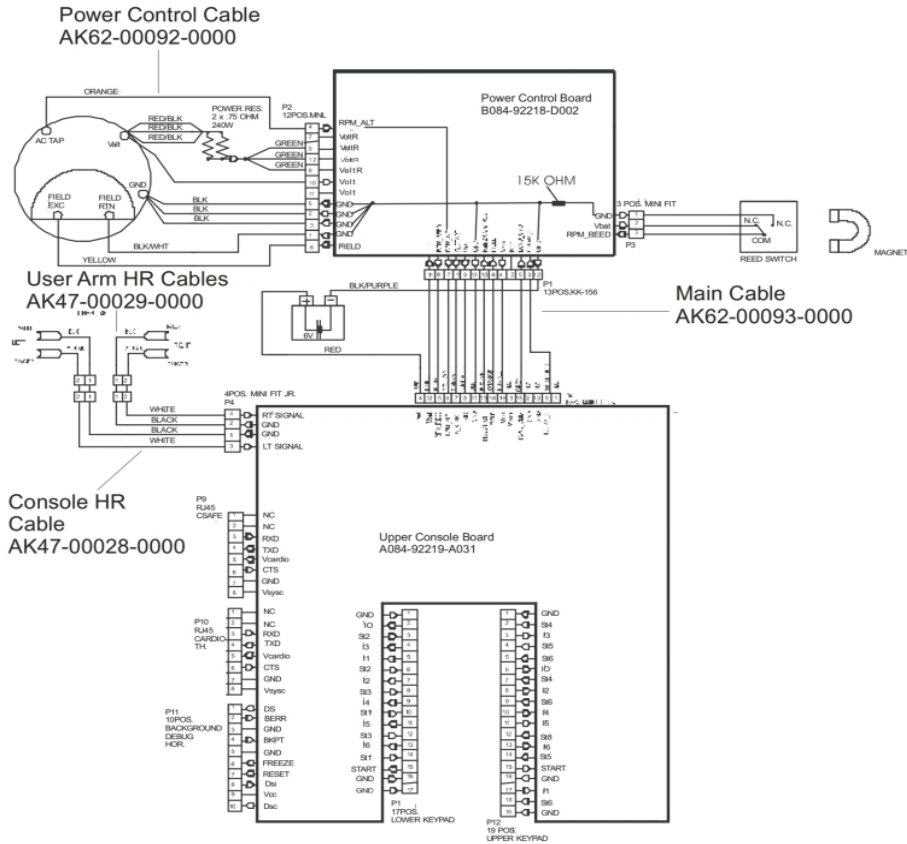
Bearing Flanges (2)
OK62-01220-0000



1" Bearing
OK62-01221-0000

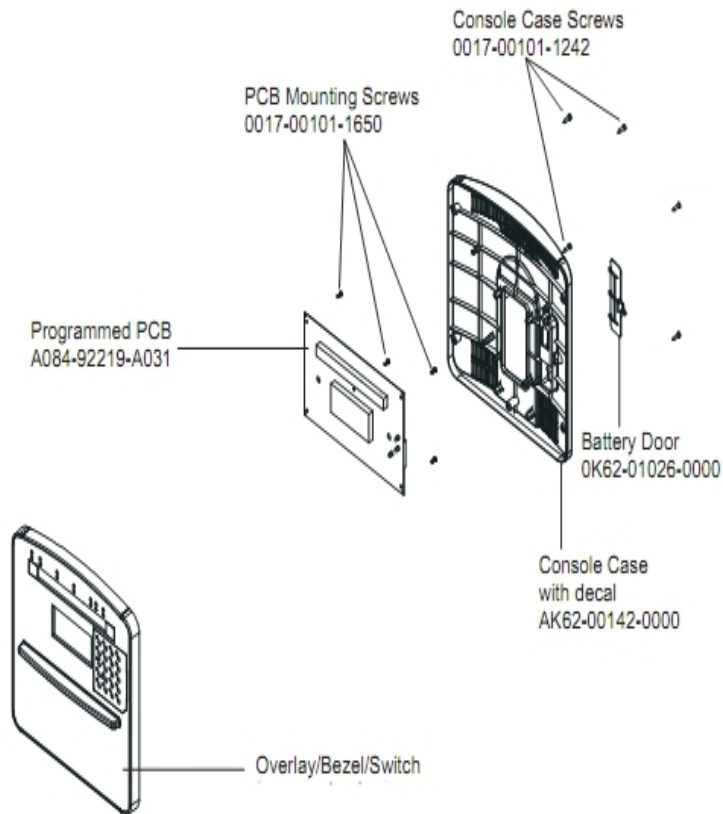
Ref #	Part Number	Qty	Description
-	GK62-00002-0044	1	Crankshaft Bearing Kit
-	OK62-01221-0000	1	1" Bearing
-	OK62-01220-0000	2	Bearing Flange
-	GK62-00002-0045	1	Intermediate Shaft Bearing Kit
-	AK62-00299-0000	1	Bearing Insert Assembly

Cables



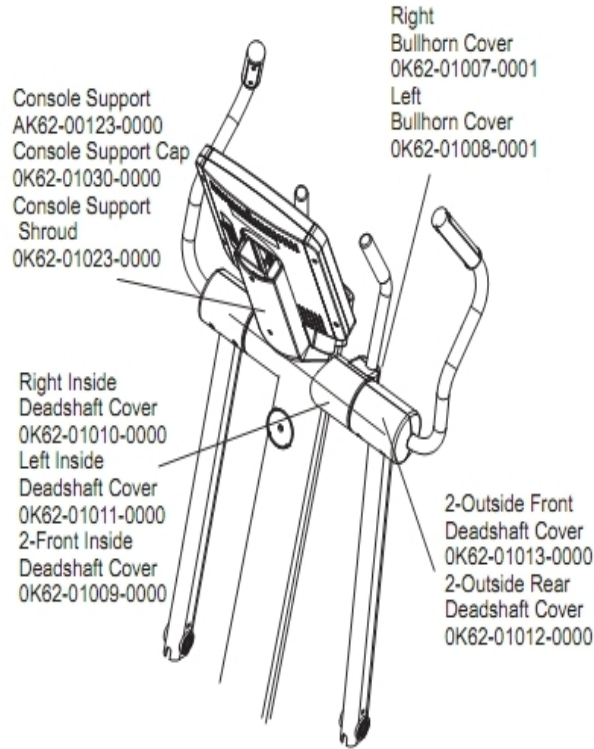
Ref #	Part Number	Qty	Description
-	A084-92219-A031	1	PCB Assembly
-	AK47-00029-0000	1	Lifepulse Cable
-	AK47-00028-0000	1	Lifepulse Cable
-	AK62-00092-0000	1	Power Control Cable
-	B084-92218-0000	1	PCB Circuit Board
-	AK62-00093-0000	1	Main Cable

Console and Related Components



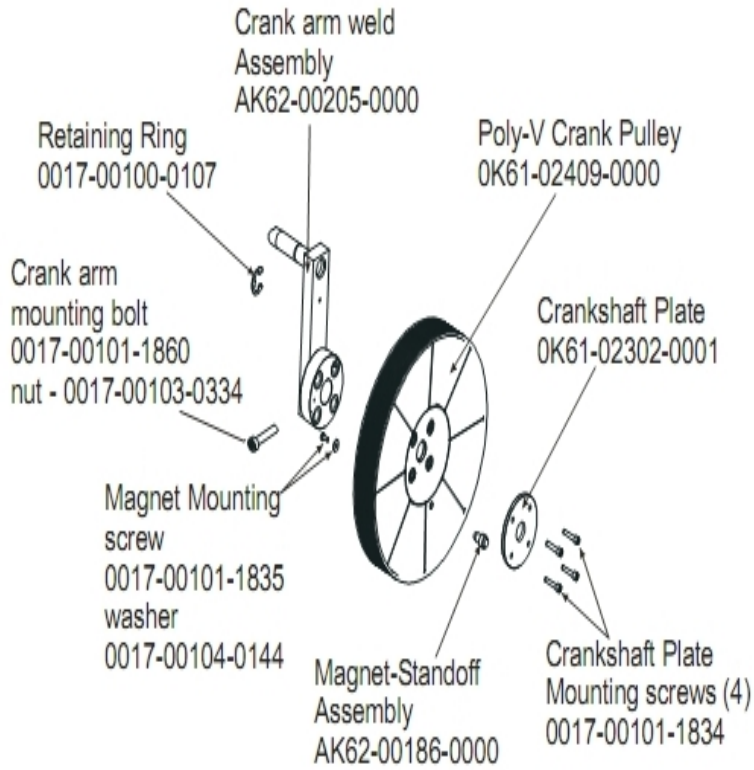
Ref #	Part Number	Qty	Description
-	0017-00101-1650	5	Hardware: Phillips Pan Screw 0.375"
-	A084-92219-A031	1	PCB Assembly
-	AK62-00388-0004	1	Overlay/Bezel/Switch Spanish/Metric
-	0K62-01026-0000	1	Battery Door
-	0017-00101-1242	6	Hardware: Phillips Pan Screw 0.75"
-	AK62-00142-0000	1	Console Case with Decal
-	AK62-00354-0004	1	Console Spanish/Metric

Console Support and Deadshaft Covers



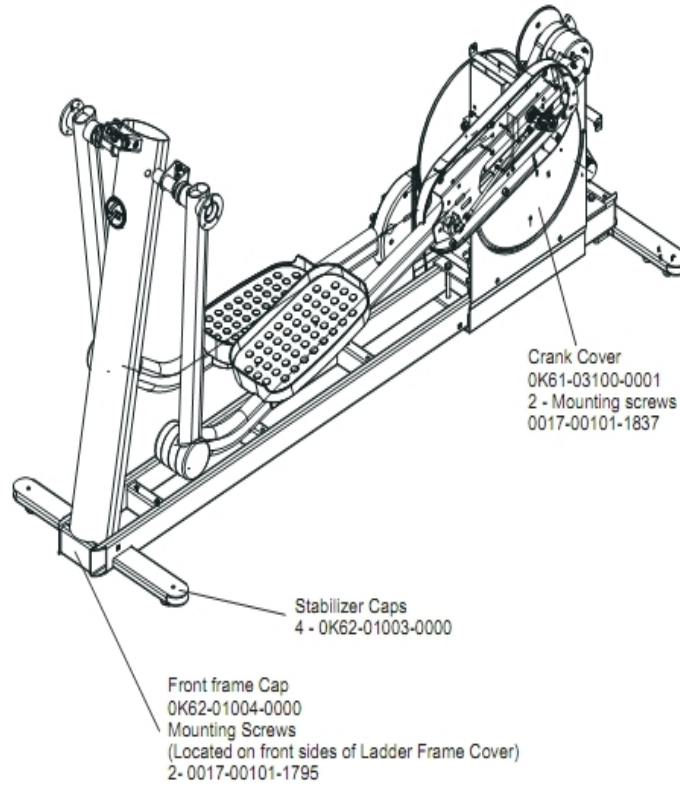
Ref #	Part Number	Qty	Description
-	0K62-01012-0000	2	Front Outside Deadshaft Cover
-	0K62-01009-0000	2	Front Inside Deadshaft Cover
-	0K62-01010-0000	1	Right Inside Deadshaft Cover
-	AK62-00123-0000	1	Console Support
-	0K62-01030-0001	1	Console Support Cap
-	0K62-01013-0000	2	Rear Outside Deadshaft Cover
-	0K62-01023-0001	1	Console Support Shroud
-	0K62-01011-0000	1	Left Inside Deadshaft Cover
-	0K62-01008-0001	1	Bullhorn Cover Left
-	0K62-01007-0001	1	Bullhorn Cover Right

Crank Arm Pulley Assembly



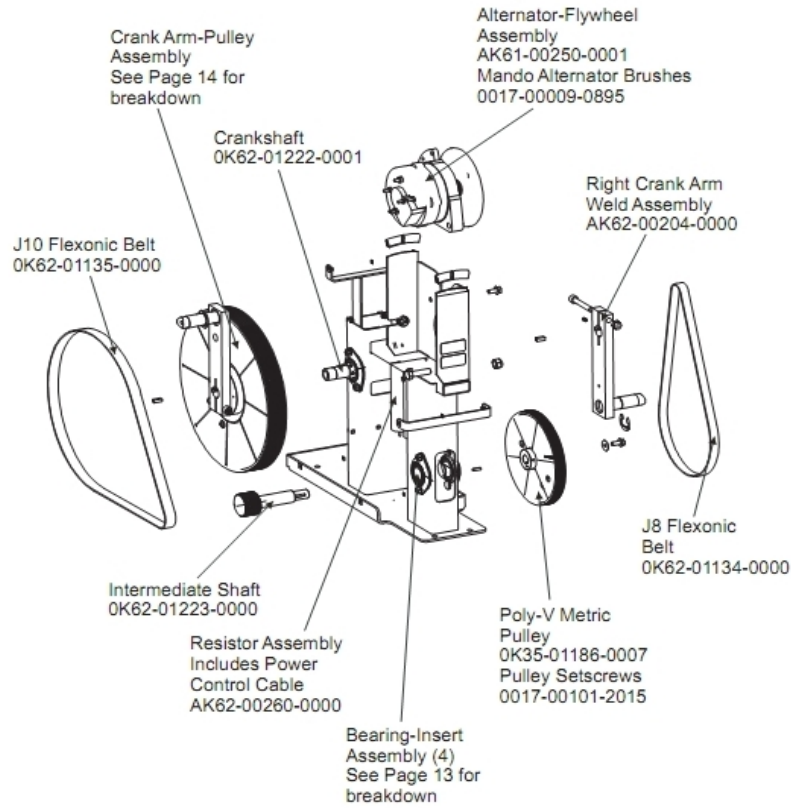
Ref #	Part Number	Qty	Description
-	AK62-00205-0000	1	Crankarm
-	0K61-02302-0001	1	Crankshaft Plate
-	0017-00103-0334	1	Hardware: Nut 10 MM
-	0017-00100-0107	1	Hardware: E-Ring 1"
-	0K61-02409-0000	1	Poly-V Crank Pulley
-	0017-00104-0144	1	Hardware: Washer 0.625" OD
-	AK62-00186-0000	1	Magnet-Standoff Assembly
-	0017-00101-1835	1	Hardware: Screw 10MM
-	0017-00101-1860	1	Hardware: Crankarm Bolt 65MM
-	0017-00101-1834	4	Hardware: Screw 24MM

Crank Cover and Lower Caps



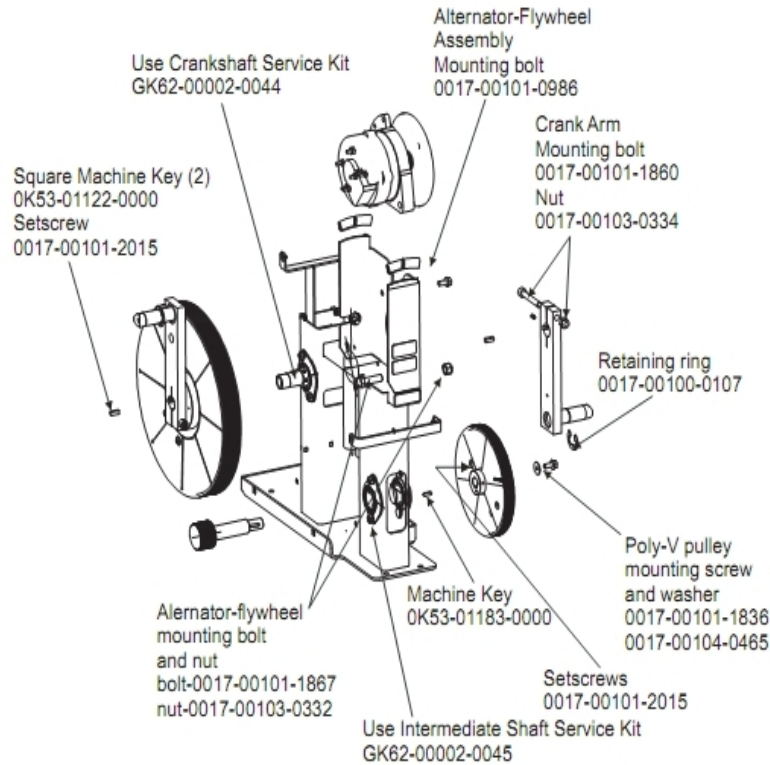
Ref #	Part Number	Qty	Description
-	0017-00101-1795	2	Hardware: Mounting Screw
-	0K68-01130-0200	4	CAP; STABILIZER; SHADOW GREY
-	0K62-01004-0002	1	Front frame Cap
-	0017-00101-1837	2	Hardware: Screw 18MM
-	0K61-03100-0002	1	Crank Cover

Drive Module



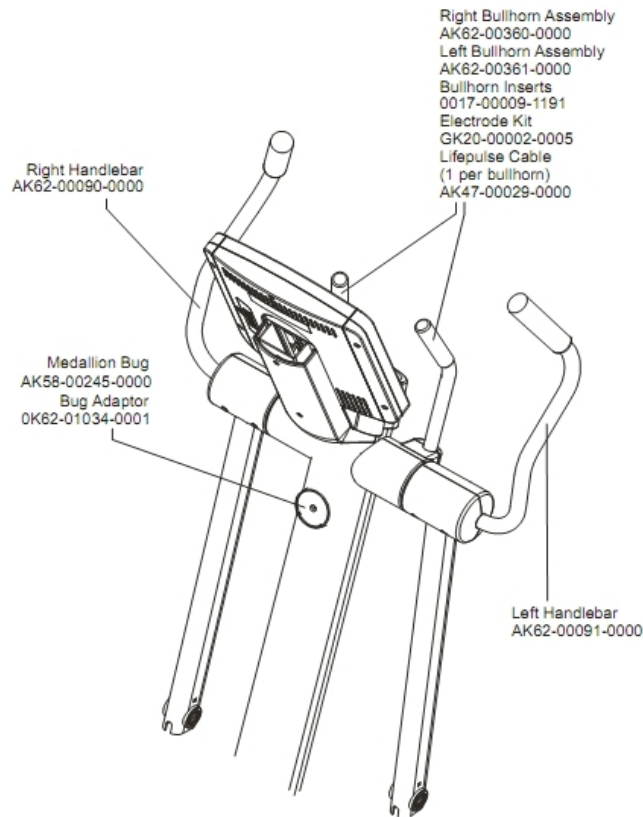
Ref #	Part Number	Qty	Description
-	OK62-01222-0001	1	Crankshaft
-	OK62-01135-0000	1	Drive Belt
-	OK62-01223-0000	1	Intermediate Shaft
-	OK35-01186-0007	1	Poly-V Pulley
-	0017-00009-0895	1	Alternator Brush Kit
-	0017-00101-2015	1	Hardware: Pulley Set Screw 15 MM
-	AK61-00250-0001	1	Alternator w/Flywheel
-	AK62-00204-0000	1	Right Crankarm
-	OK62-01134-0000	1	Flexonic Belt
-	AK62-00260-0000	1	Resistor Assembly

Drive Module Hardware



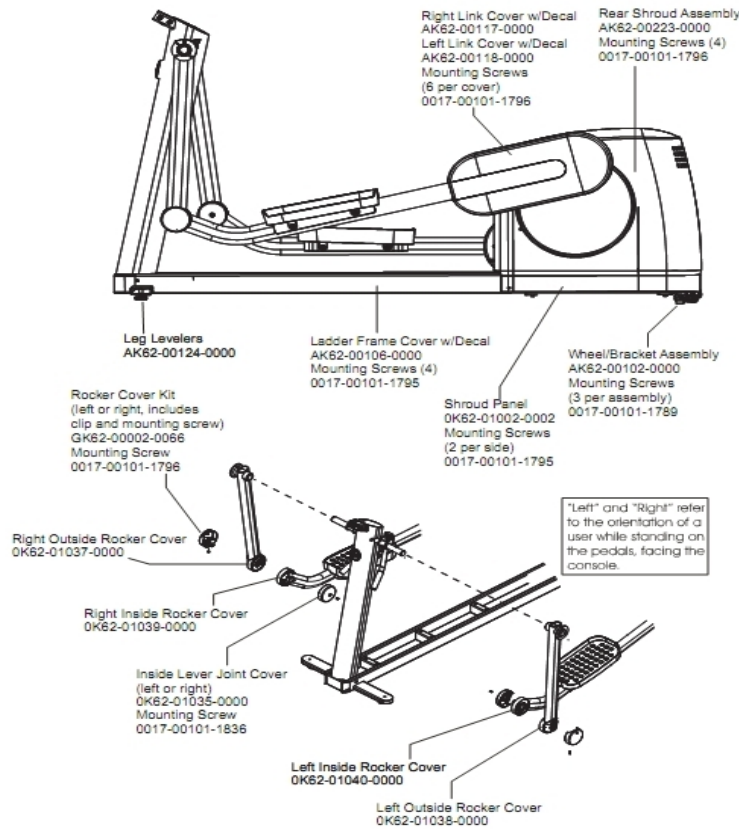
Ref #	Part Number	Qty	Description
-	0017-00101-0986	1	Hardware: Bolt 0.75"
-	0017-00101-1860	1	Hardware: Crankarm Bolt 65MM
-	0017-00103-0332	1	Hardware: Mounting Nut
-	0017-00101-1836	1	Hardware: Screw 10 MM
-	0017-00101-2015	2	Hardware: Pulley Set Screw 15 MM
-	0017-00103-0334	1	Hardware: Nut 10 MM
-	GK62-00002-0044	1	Crankshaft Bearing Kit
-	0K53-01183-0000	1	Hex key
-	0017-00100-0107	1	Hardware: E-Ring 1"
-	0017-00101-1867	1	Hardware: Mounting Bolt 45 MM
-	GK62-00002-0045	1	Intermediate Shaft Bearing Kit
-	0K53-01122-0000	2	Square Key
-	0017-00104-0465	1	Hardware: Flat Washer 23MM OD

Handlebars and Bullhorns



Ref #	Part Number	Qty	Description
-	OK62-01034-0001	1	Bug Adaptor
-	AK62-00091-0000	1	Handlebar: Left
-	AK62-00360-0000	1	Right Bullhorn
-	0017-00009-1191	10	Bullhorn Insert
-	AK47-00029-0000	2	Lifepulse Cable
-	GK20-00002-0005	2	Heart Rate Electrode Kit
-	AK62-00361-0000	1	Left Bullhorn
-	AK62-00090-0000	1	Handlebar: Right
-	AK58-00245-0000	1	Bug Medallion

Lower Frame Shrouds and Hardware

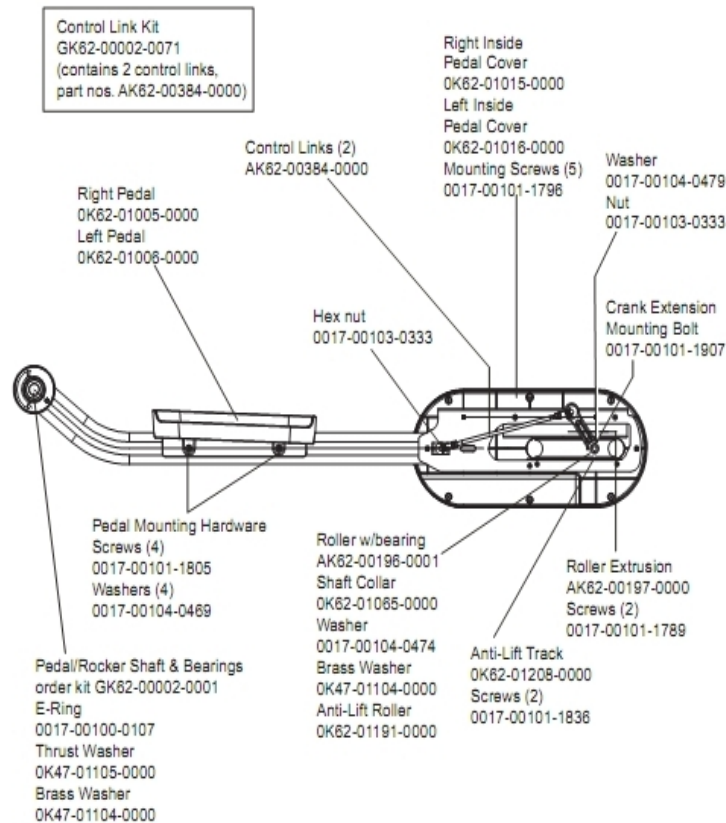


Ref #	Part Number	Qty	Description
-	AK62-00118-0000	1	Link Cover with Decal: Left
-	AK62-00124-0000	2	Leg Leveler
-	OK62-01038-0000	1	Left Inside Rocker Cover
-	OK62-01037-0000	1	
-	AK62-00117-0000	1	Link Cover with Decal: Right
-	GK62-00002-0066	1	Rocker Cover Kit
-	0017-00101-1795	5	Hardware: Mounting Screw
-	0017-00101-1836	1	Hardware: Screw 10 MM
-	AK62-00102-0000	1	Wheel/Bracket Assembly
-	AK62-00223-0000	1	Rear Shroud Assembly
-	OK62-01002-0003	1	Shroud Panel
-	0017-00101-1789	12	Hardware: Mounting Screws
-	OK62-01039-0000	1	Right Inside Lever Joint Cover
-	0017-00101-1796	17	Hardware: Mounting Screw 19 MM
-	OK62-01040-0000	1	Left Inside Lever Joint Cover
-	AK62-00106-0001	1	Ladder Frame Cover with Decal
-	OK62-01035-0000	1	Inside Lever Joint Cover

Miscellaneous

Ref #	Part Number	Qty	Description
-	0017-00021-2846	1	F-Type Panel Connector
-	0017-00008-0205	1	5 oz Bottle - Arctic Silver
-	AK62-00152-0001	1	Hardware Bag
-	0017-00008-0204	1	Paint Spray Can - Arctic Silver
-	AK32-00078-0001	1	Power Extension Cable: 120"
-	AK62-00210-0000	1	Power-Cable with Bracket Assembly
-	0K62-01179-0001	1	Bracket: Access Panel; Plug-in
-	0017-00008-0206	1	.33oz Pen - Arctic Silver
-	0017-00042-0754	1	Hardware: Grommet
-	GK62-00002-0018	1	Plug in Option 120/60
-	AK32-00020-0002	1	Coax Cable: 120"

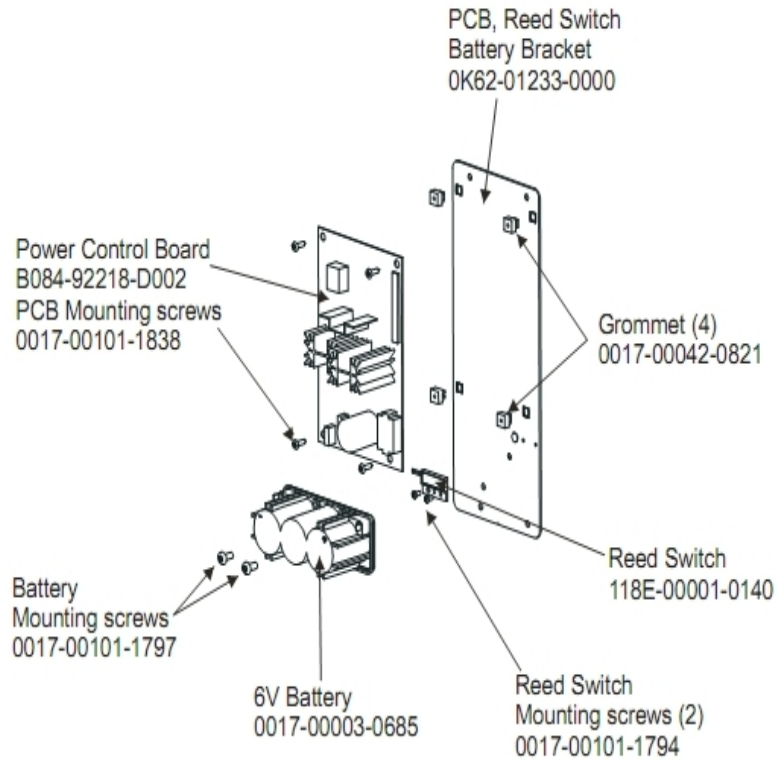
Pedal Lever Assembly Components



Ref #	Part Number	Qty	Description
-	OK47-01104-0000	4	Hardware: Thrust Washer
-	0017-00100-0107	2	Hardware: E-Ring 1"
-	AK62-00196-0001	2	Roller with Bearing
-	AK62-00197-0000	2	Roller Extrusion
-	GK62-00002-0001	2	Pedal/Rocker Shaft and Bearings
-	GK62-00002-0071	6	Control Link Kit
-	0017-00101-1789	8	Hardware: Mounting Screws
-	OK62-01005-0000	1	Left Pedal
-	OK62-01006-0000	1	Right Pedal
-	OK62-01015-0000	1	Inside Pedal Cover Right
-	0017-00104-0479	2	Hardware: Flat Washer 25.4MM OD
-	0017-00101-1836	4	Hardware: Screw 10 MM
-	0017-00104-0469	8	Hardware: Flat Washer 16MM OD
-	0017-00101-1907	2	Hardware: Crank Extension Mounting Bolt
-	OK62-01191-0000	2	Anti-Lift Roller
-	0017-00103-0333	4	Hardware: Hex Nut

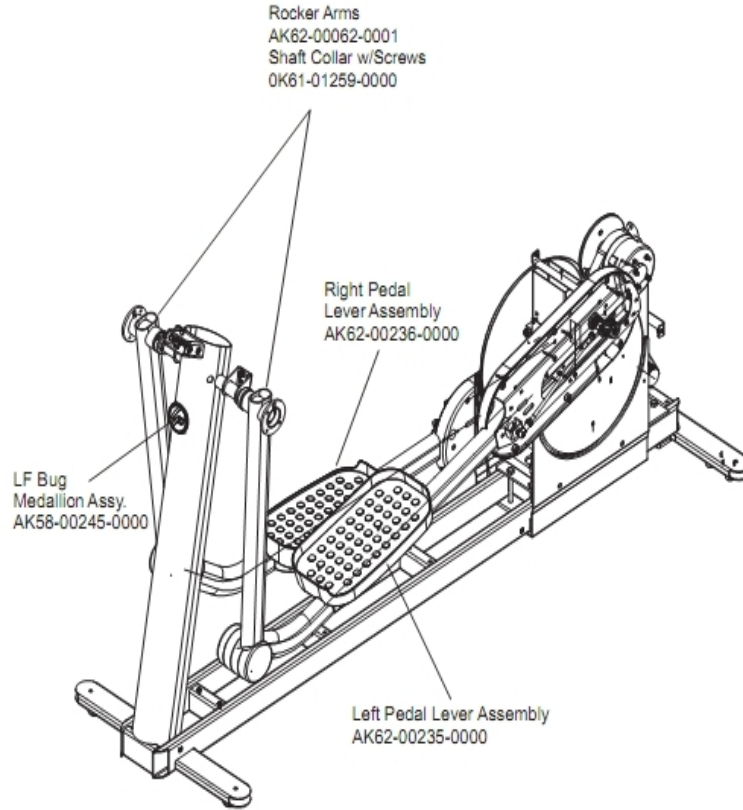
Ref #	Part Number	Qty	Description
-	0017-00101-1805	8	Hardware: TORX Screw 25 MM

PCB, Battery, Reed Switch and Bracket



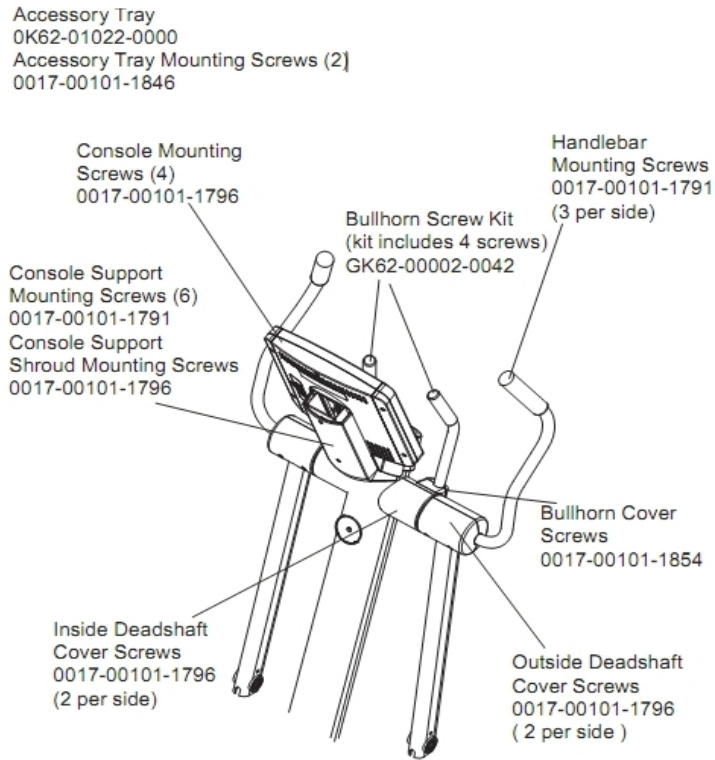
Ref #	Part Number	Qty	Description
-	118E-00001-0140	1	Reed Switch SPDT
-	0017-00101-1794	2	Hardware: Screw 10MM
-	0017-00101-1838	4	Hardware: Mounting Screw 19 MM
-	0K62-01233-0000	1	PCB Reed Switch Battery Bracket
-	B084-92218-0000	1	PCB Circuit Board
-	0017-00101-1797	2	Hardware: Mounting Screw 16 MM
-	0017-00042-0821	4	Hardware: Plastic Grommet
-	0017-00003-0685	1	6V Battery

Rocker Arms and Pedal Levers



Ref #	Part Number	Qty	Description
-	GK62-00002-0070	4	Rocker Arm Kit
-	AK58-00245-0000	1	Bug Medallion
-	AK62-00235-0000	1	Left Pedal Lever Assembly
-	AK62-00236-0000	1	Right Pedal Lever Assembly
-	0K61-01259-0000	2	Shaft Split Collar

Upper Frame Hardware



Ref #	Part Number	Qty	Description
-	0017-00101-1854	1	Hardware: Bullhorn Cover Screw 44MM
-	0017-00101-1876	6	Hardware: M 8X1.25-6G6GX 22 DIN TRX FLT CS ST BZ B
-	0017-00101-1796	13	Hardware: Mounting Screw 19 MM
-	0017-00101-1846	2	Hardware: Phillips Pan Screw 10 MM
-	0K62-01022-0202	1	Accessory Tray
-	0017-00101-1791	7	Hardware: TORX Screw 19 MM

