

FT 360S FUNCTIONAL TRAINER

9101-01

Parts Manual

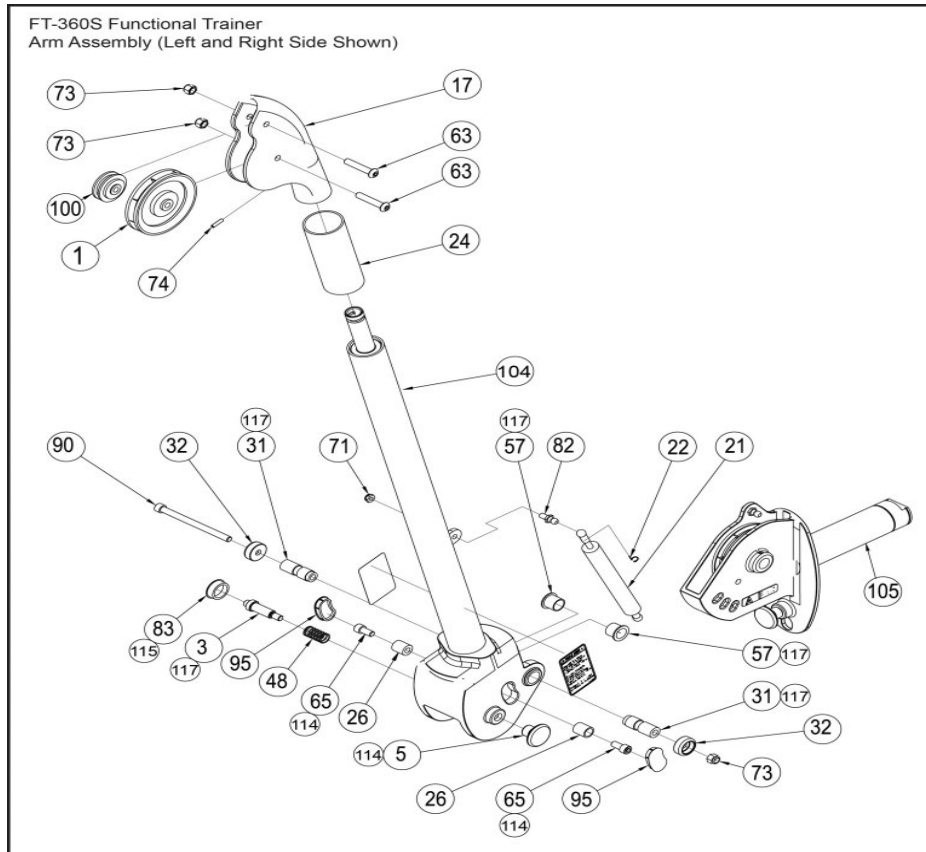
1/5/2019 6:55:25 AM



Table of Contents

FT360S arm assembly.....	3
FT360S cable and belt routing.....	5
FT360S cable swivel assembly.....	6
FT360S front shroud assembly.....	7
FT360S handle and straps.....	8
FT360S lower frame assembly.....	9
FT360S pivot assembly left.....	10
FT360S pivot assembly right.....	12
FT360S rear shroud assembly.....	14
FT360S spring retainer plate.....	15
FT360S stabilizer tube assembly.....	16
FT360S top frame assembly.....	17
FT360S top weight assembly.....	18

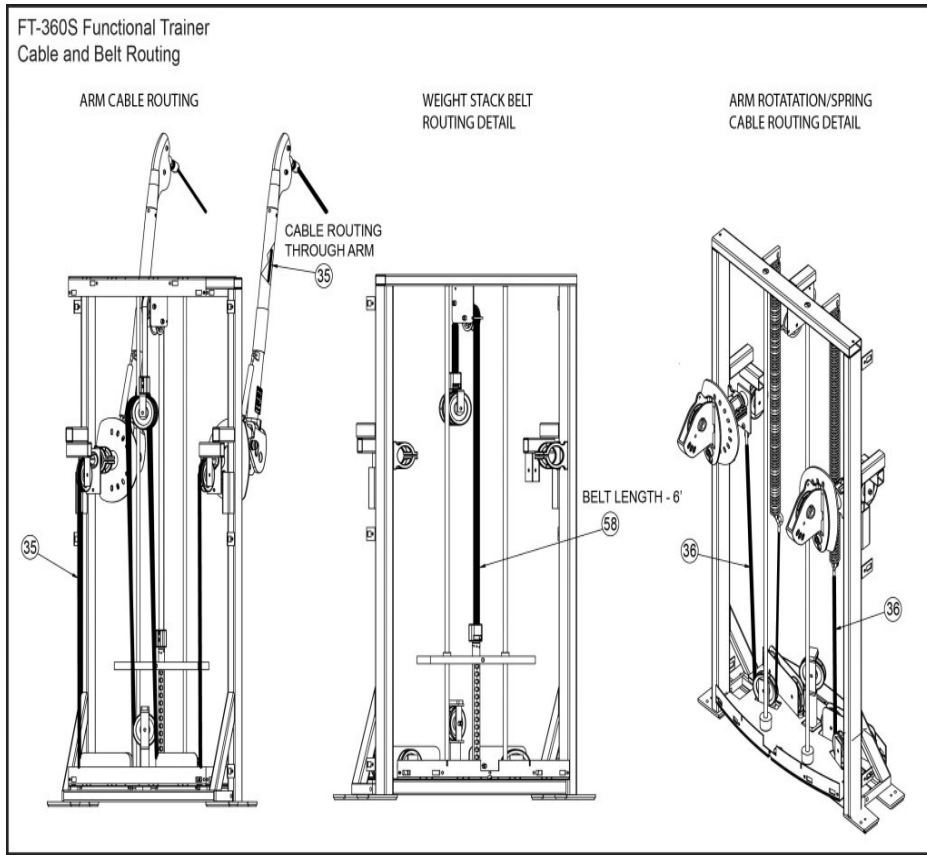
FT360S_arm_assembly



Ref #	Part Number	Qty	Description
1	08014	1	PULLEY ASSEMBLY-4.50
3	08229	1	P PIN DETENT
5	11040-440	1	KNOB
17	9100-303	1	MOLDED PULLEY SWIVEL
21	9100-314	1	CYLINDER DAMPNER
22	9100-315	1	CLIP DAMPNER SAFETY
24	9100-318	1	GRIP 5.88 LG 2.00 ID .11 WA
26	9100-353	1	SPACER ARM CLEVIS
31	9100-381	1	PIN PULLEY PIVOT
32	9100-383	1	BUSHING
48	BS070201	1	COM SPRING .56 ID X .66 OD X 1.50 LG
57	FB130212	1	BUSHING FLANGE FOOTPLATE.75ID
63	HC700426	2	BHSCS .375-16 X 2.00
65	HC702815	1	SHCS .375-16 X .750
71	HN-60065	1	NUT SELF-LOCKING 5-16-18 B-ZN
73	HN704901	1	LOCKNUT .375-16 NYLON
74	HP286715	1	ROLL PIN .188 X .75
82	HX-60184	1	BALL,STUD,5/16 -18X10MM
83	HX-60671	1	CAP PLASTIC 1.25 ID HOLE
90	JC702850	1	SHCS .375-16 UNC X 5.00
95	PP660009	1	INSERT PLASTIC
100	PW-60615	1	PULLEY CABLE 2.00X1.0 HUB

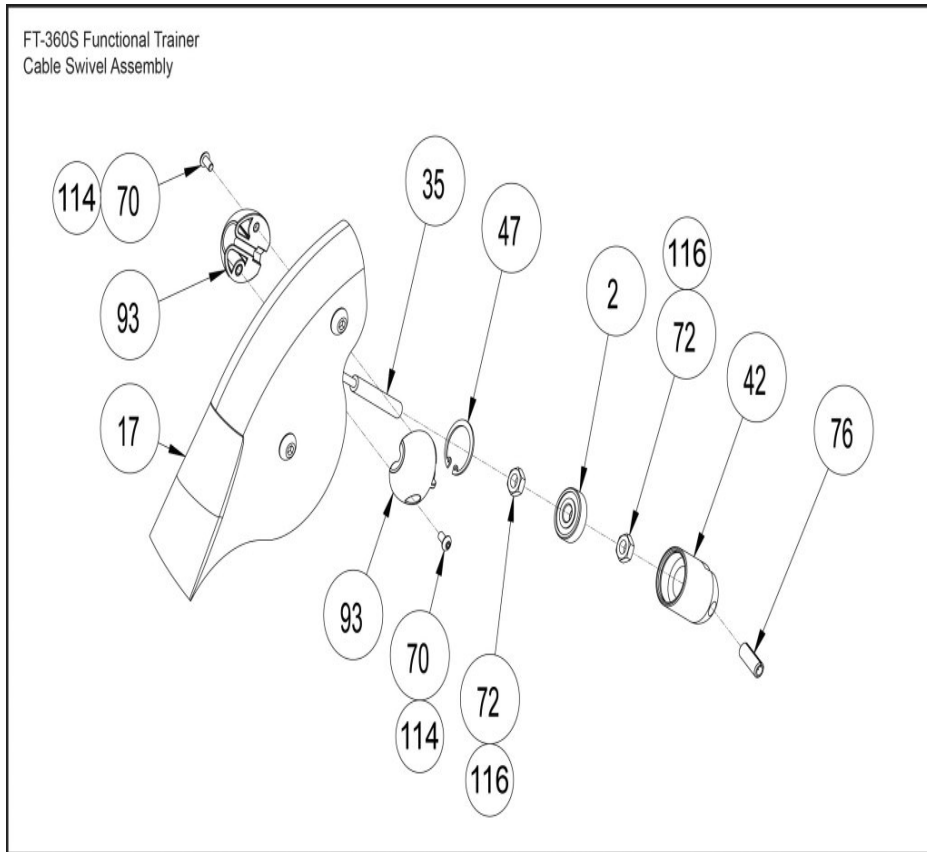
Ref #	Part Number	Qty	Description
104	9101-201	1	W ARM
105	9101-202	1	W ROTATIONAL PIVOT
114	YA000201	1	ADH THRD LKR REM .02 OZ 242
115	YA000222	1	ADH BNDG CYANOACRYLATE
117	YG000002	1	NLA: Please use Lithium Grease

FT360S_cable_and_belt_routing



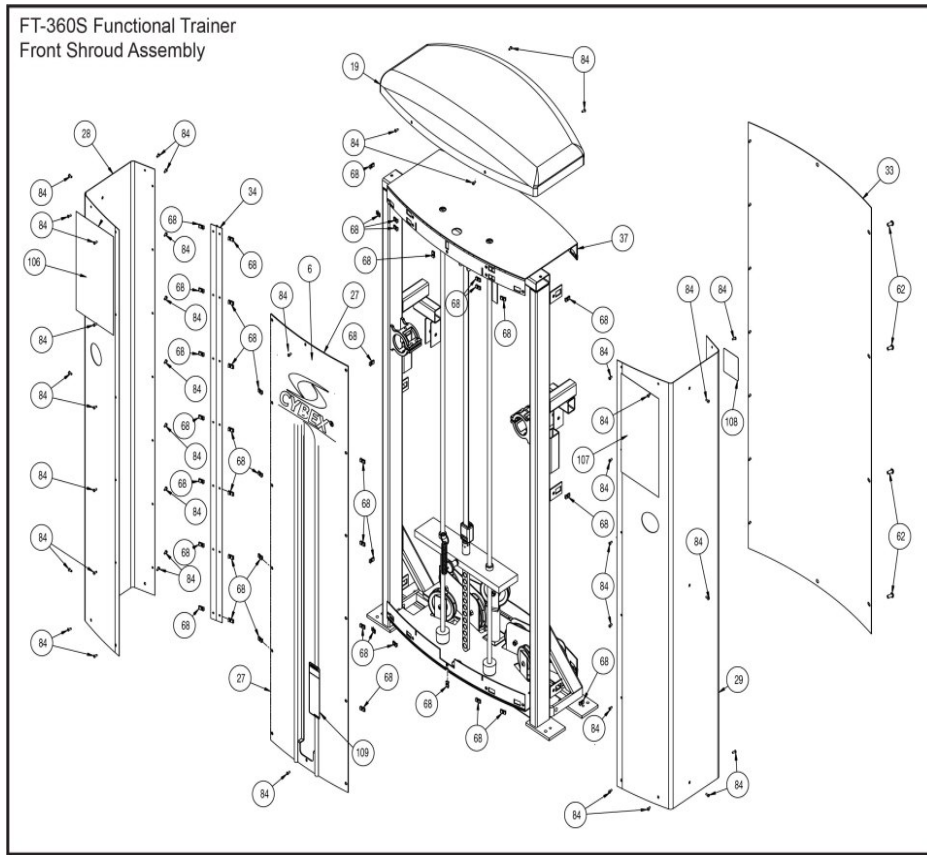
Ref #	Part Number	Qty	Description
35	9101-002	1	CABLE SA
36	9101-003	1	CABLE SA
58	GB000202	1	BELT .95 WIDE

FT360S_cable_swivel_assembly



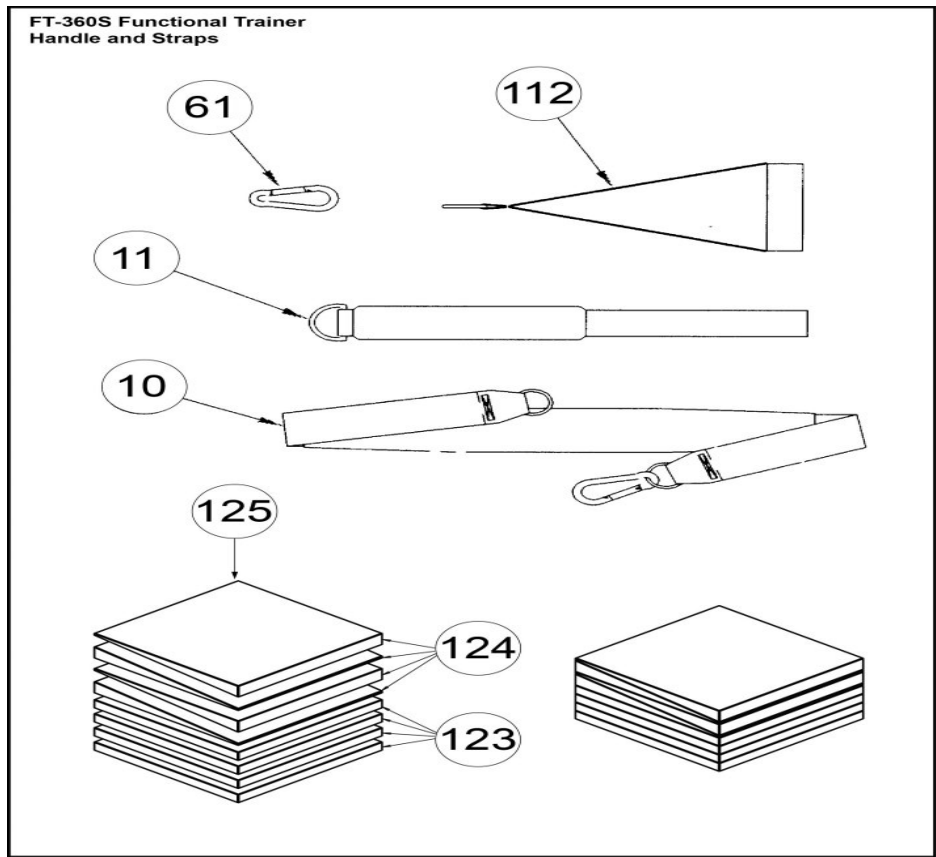
Ref #	Part Number	Qty	Description
2	08135	1	BRG BALL
17	9100-303	1	MOLDED PULLEY SWIVEL
35	9101-002	1	CABLE SA
42	AH020000	1	HOUSING SWIVEL
47	BR030224	1	RETAINING RING 1.188 INTERNAL
70	HM580410	1	BHSCS .190-10-32 X .375
72	HN704400	2	JAM NUT .375-16
76	HP346717	1	ROLL PIN .375 X 1.00
93	PP040004	1	BALL STOP
114	YA000201	1	ADH THRD LKR REM .02 OZ 242
116	YA000226	1	LOCTITE 680 .5 ML

FT360S_front_shroud_assembly



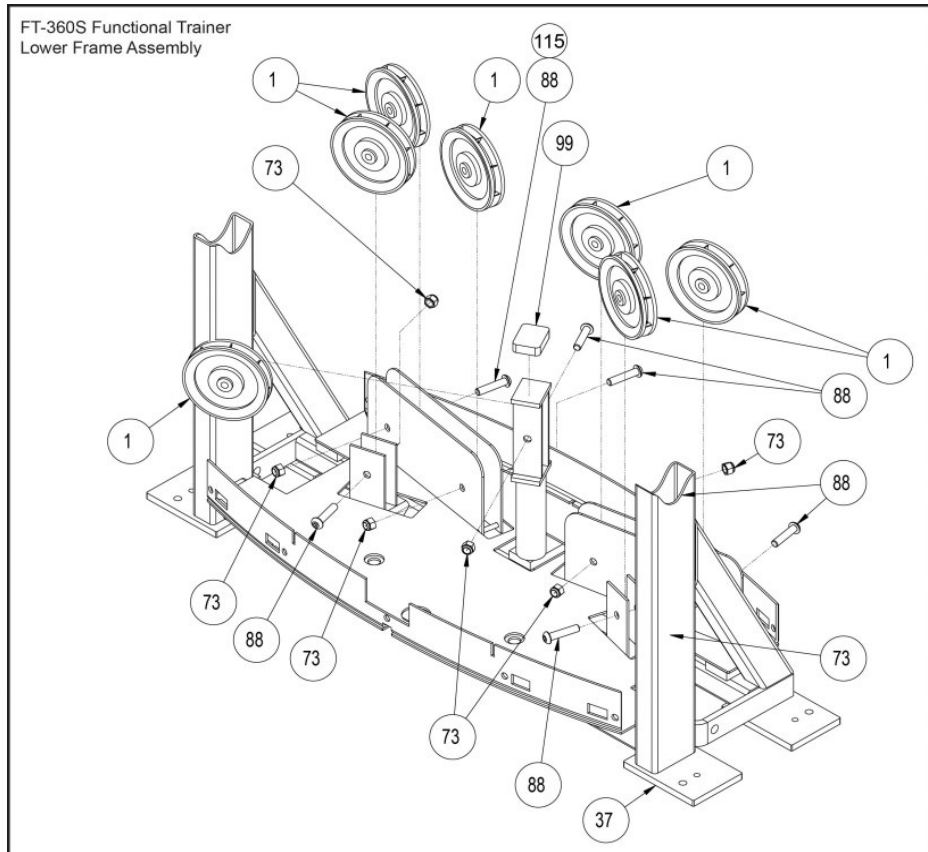
Ref #	Part Number	Qty	Description
6	3900-441	1	DECAL CYBEX VER BLACK
6	3900-442	1	DECAL CYBEX VER SILVER
19	9100-311	1	CAP SHROUD COVER
27	9100-365	1	PANEL SHROUD FRONT
28	9100-367	1	PANEL SHROUD END RH
29	9100-368	1	PANEL SHROUD END LH
33	9100-384	1	PANEL SHROUD BACK
34	9100-385	1	HINGE 62.00 LONG
37	9101-200	1	W MAIN FRAME Custom
62	HC700415	20	BHSCS .375-16 X .75
68	HF579000	20	PANEL FASTENER 10-24 U TYPE
84	HX570412	20	BHSCS 10-24 X .50 SS
106	9101-598	1	Placard FT360S 9101
107	9101-599	1	Placard FT360S 9101
108	9100-348	1	DECAL SPRING CAUTION
109	4605-381	1	DECAL WARNING

FT360S_handle_and_straps



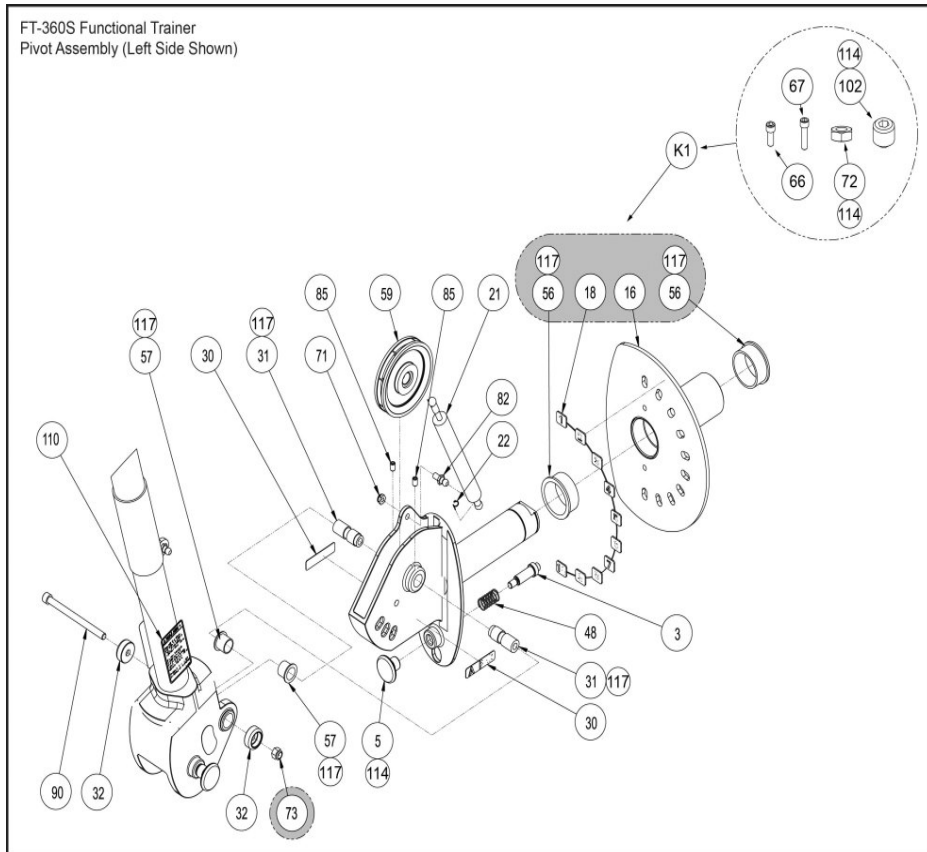
Ref #	Part Number	Qty	Description
10	51073	1	HIP HARNESS
11	51122	1	ANKLE STRAP
61	3250201	1	Snap Link 3/8" D
112	12220-005	1	Handle Assembly
123	18070-301	4	FOOT SUPPORT PAD- FLAT
124	18070-300	4	FOOT SUPPORT PAD- WEDGE
125	18070-001	1	FOOT SUPPORT PADS ASSEMBLY

FT360S_lower_frame_assembly



Ref #	Part Number	Qty	Description
1	08014	7	PULLEY ASSEMBLY-4.50
37	9101-200	1	W MAIN FRAME Custom
73	HN704901	7	LOCKNUT .375-16 NYLON
88	JC700424	7	BHSCS .375-16 X 1.75
99	PU060203	1	BUMPER
115	YA000222	1	ADH BNDG CYANOACRYLATE

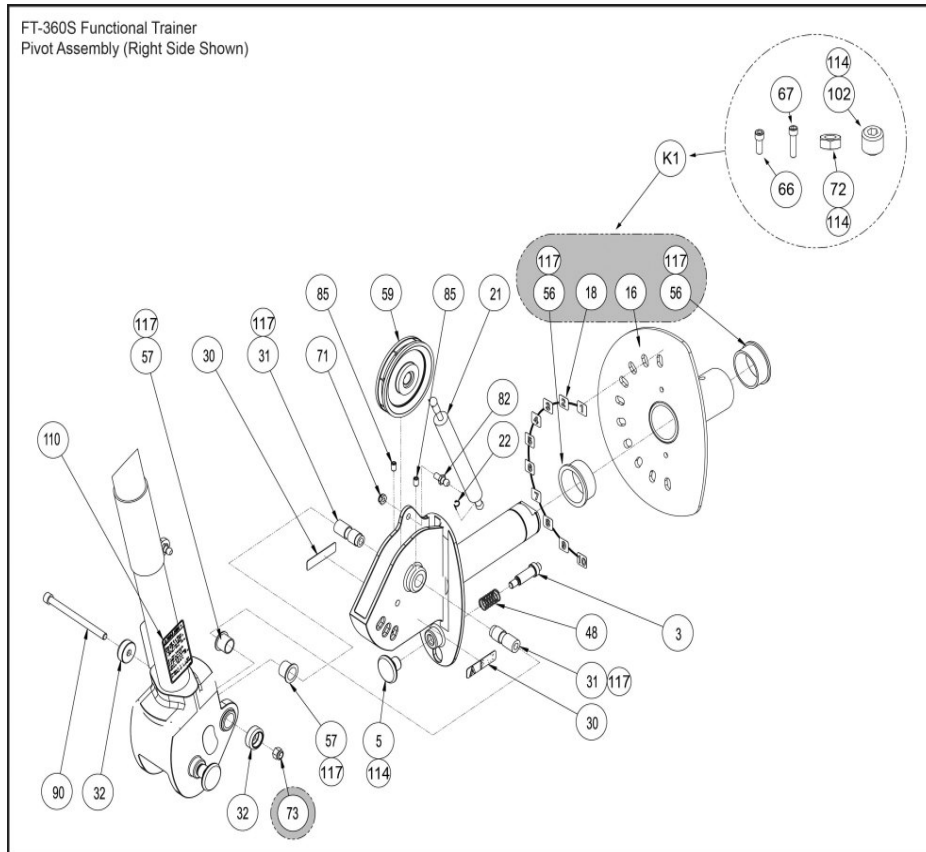
FT360S_pivot_assembly_left



Ref #	Part Number	Qty	Description
K1	9101K002	1	Kit P Arm Adjustment
3	08229	1	P PIN DETENT
5	11040-440	1	KNOB
16	9100-204	1	P ARM ADJUSTMENT
18	9100-304	1	DECAL ROTATION POSITION (1-10)
21	9100-314	1	CYLINDER DAMPNER
22	9100-315	1	CLIP DAMPNER SAFETY
30	9100-380	1	DECAL ABC POSITION
31	9100-381	1	PIN PULLEY PIVOT
32	9100-383	1	BUSHING
48	BS070201	1	COM SPRING .56 ID X .66 OD X 1.50 LG
56	FB130206	1	BRG FLG 2.00 X 2.25 1.00 LG
57	FB130212	1	BUSHING FLANGE FOOTPLATE.75ID
59	GP000000	1	PULLEY ASSEMBLY-4.50
66	HC702817	1	SHCS .375-16 X 1.00
67	HC702822	1	SHCS .375-16 X 1.50
71	HN-60065	1	NUT SELF-LOCKING 5-16-18 B-ZN
72	HN704400	1	JAM NUT .375-16
73	HN704901	1	LOCKNUT .375-16 NYLON
82	HX-60184	1	BALL,STUD,5/16 -18X10MM
85	HY662912	2	SET SC .312-18 X .50 CP PT LOC
90	JC702850	1	SHCS .375-16 UNC X 5.00

Ref #	Part Number	Qty	Description
102	HY702912	1	Set Screw .375-16 x .50
110	8500-311	1	NLA: DECAL WARNING (LANGUAGE SPECIFIC)
114	YA000201	1	ADH THRD LKR REM .02 OZ 242
117	YG000002	1	NLA: Please use Lithium Grease

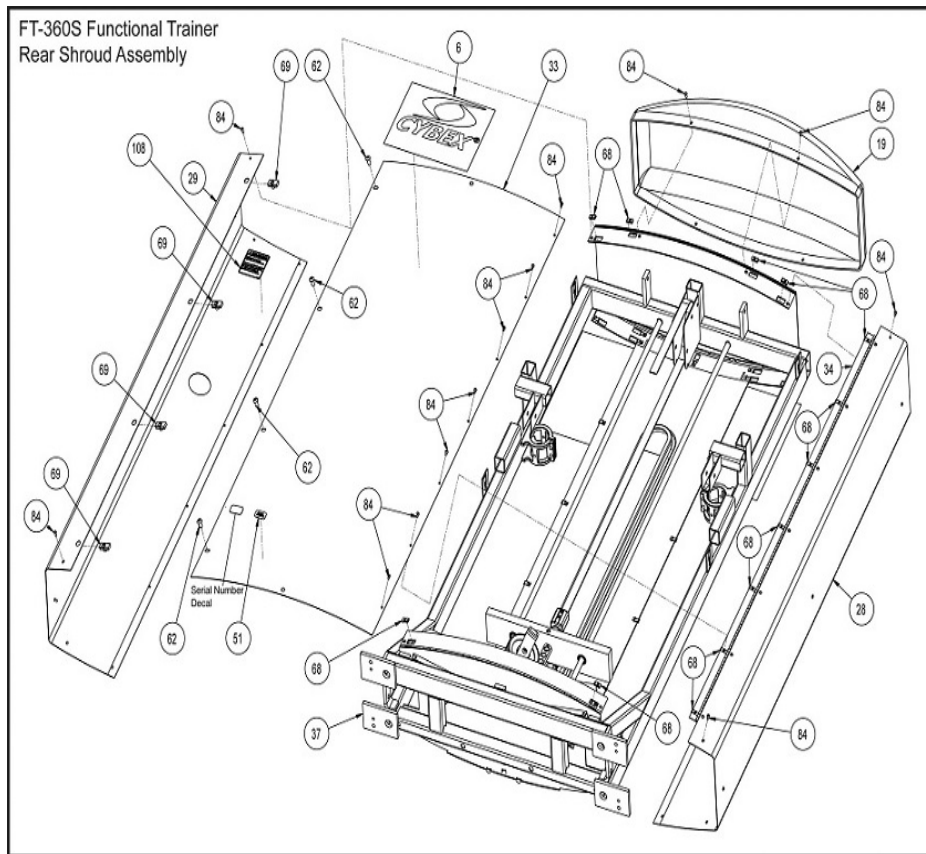
FT360S_pivot_assembly_right



Ref #	Part Number	Qty	Description
K1	9101K002	1	Kit P Arm Adjustment
3	08229	1	P PIN DETENT
5	11040-440	1	KNOB
16	9100-204	1	P ARM ADJUSTMENT
18	9100-304	1	DECAL ROTATION POSITION (1-10)
21	9100-314	1	CYLINDER DAMPNER
22	9100-315	1	CLIP DAMPNER SAFETY
30	9100-380	1	DECAL ABC POSITION
31	9100-381	1	PIN PULLEY PIVOT
32	9100-383	1	BUSHING
48	BS070201	1	COM SPRING .56 ID X .66 OD X 1.50 LG
56	FB130206	1	BRG FLG 2.00 X 2.25 1.00 LG
57	FB130212	1	BUSHING FLANGE FOOTPLATE.75ID
59	GP000000	1	PULLEY ASSEMBLY-4.50
66	HC702817	1	SHCS .375-16 X 1.00
67	HC702822	1	SHCS .375-16 X 1.50
71	HN-60065	1	NUT SELF-LOCKING 5-16-18 B-ZN
72	HN704400	1	JAM NUT .375-16
73	HN704901	1	LOCKNUT .375-16 NYLON
82	HX-60184	1	BALL,STUD,5/16 -18X10MM
85	HY662912	2	SET SC .312-18 X .50 CP PT LOC
90	JC702850	1	SHCS .375-16 UNC X 5.00

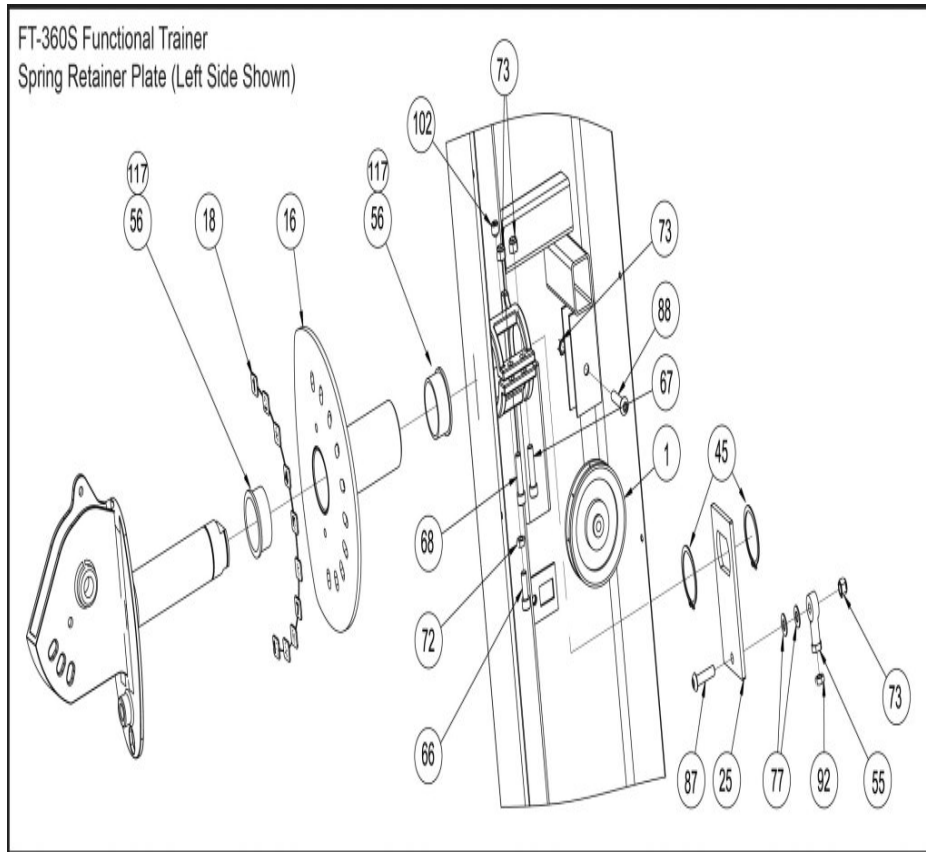
Ref #	Part Number	Qty	Description
102	HY702912	1	Set Screw .375-16 x .50
110	8500-311	1	NLA: DECAL WARNING (LANGUAGE SPECIFIC)
114	YA000201	1	ADH THRD LKR REM .02 OZ 242
117	YG000002	1	NLA: Please use Lithium Grease

FT360S_rear_shroud_assembly



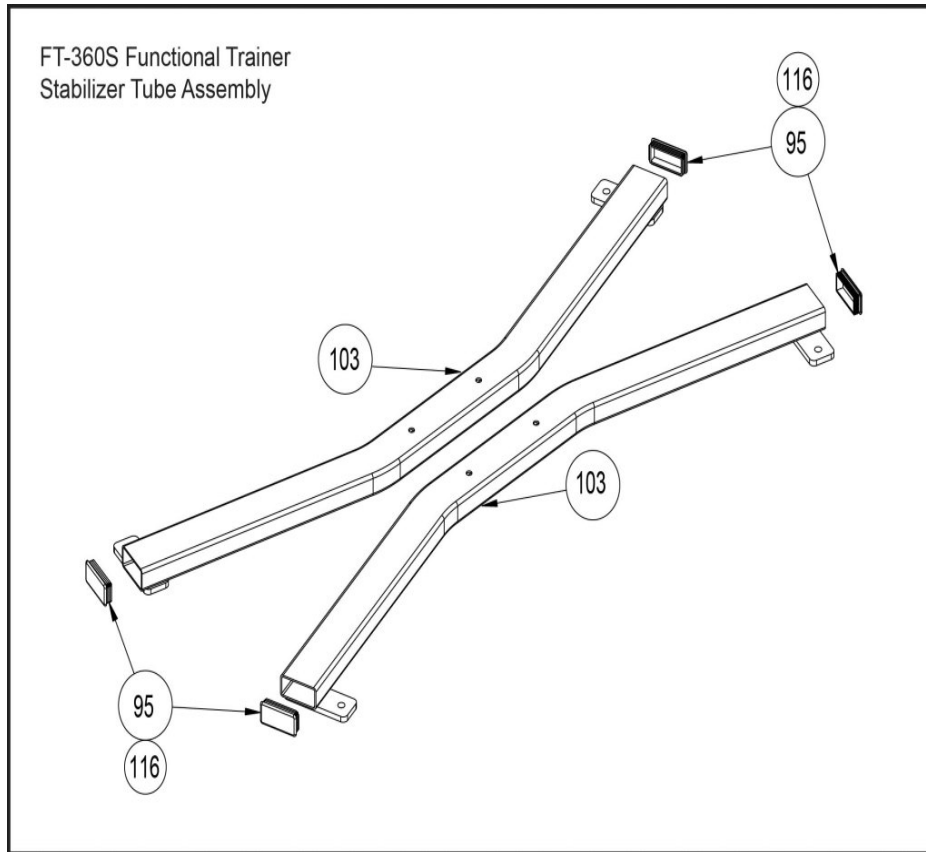
Ref #	Part Number	Qty	Description
6	3900-442	1	DECAL CYBEX VER SILVER
6	3900-441	1	DECAL CYBEX VER BLACK
19	9100-311	1	CAP SHROUD COVER
28	9100-367	1	PANEL SHROUD END RH
29	9100-368	1	PANEL SHROUD END LH
33	9100-384	1	PANEL SHROUD BACK
34	9100-385	1	HINGE 62.00 LONG
37	9101-200	1	W MAIN FRAME Custom
51	CM000211	1	DECAL PATENT
62	HC700415	10	BHSCS .375-16 X .75
68	HF579000	46	PANEL FASTENER 10-24 U TYPE
69	HF700000	46	PANEL FASTNER .375-16 U TYPE
84	HX570412	10	BHSCS 10-24 X .50 SS
108	9100-348	1	DECAL SPRING CAUTION

FT360S_spring_retainer_plate



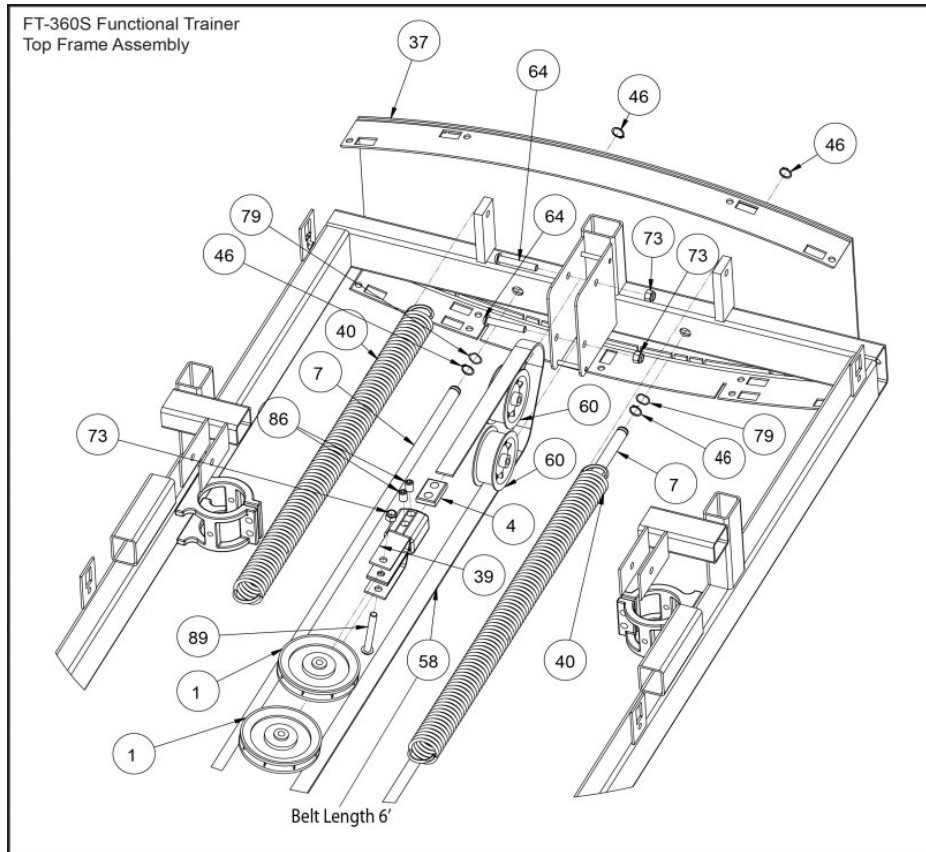
Ref #	Part Number	Qty	Description
1	08014	1	PULLEY ASSEMBLY-4.50
16	9100-204	1	P ARM ADJUSTMENT
18	9100-304	1	DECAL ROTATION POSITION (1-10)
25	9100-343	1	PLATE SPRING CABLE RETAINER
45	BR030213	2	RETAINING RING 2.00 EXTERNAL
55	FB030213	1	BRG ROD END FEMALE .375-24
56	FB130206	1	BRG FLG 2.00 X 2.25 1.00 LG
66	HC702817	1	SHCS .375-16 X 1.00
67	HC702822	1	SHCS .375-16 X 1.50
68	HF579000	1	PANEL FASTENER 10-24 U TYPE
72	HN704400	1	JAM NUT .375-16
73	HN704901	3	LOCKNUT .375-16 NYLON
77	HS347600	2	WASHER SAE .375
87	JC700422	1	BHSCS .375-16 X 1.50
88	JC700424	1	BHSCS .375-16 X 1.75
92	JN714400	1	JAM NUT .375-24
102	HY702912	1	Set Screw .375-16 x .50
117	YG000002	1	NLA: Please use Lithium Grease

FT360S_stabilizer_tube_assembly



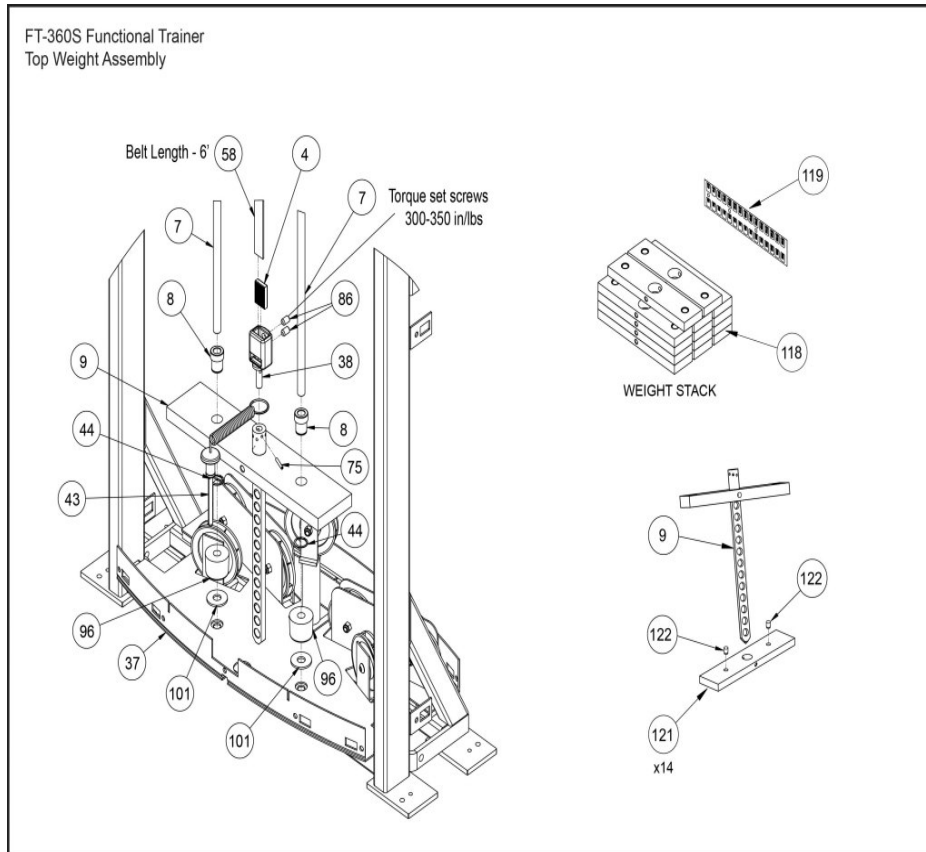
Ref #	Part Number	Qty	Description
95	PP090202	4	INSERT PLASTIC 1.5 X 3.0 11GA
103	9100-207	2	W STABILIZER TUBE Custom
116	YA000226	1	LOCTITE 680 .5 ML

FT360S_top_frame_assembly



Ref #	Part Number	Qty	Description
1	08014	2	PULLEY ASSEMBLY-4.50
4	11040-301	1	INSERT CLAMP BLOCK
7	4605-323	2	WT ROD .625 DIA X 68.00
37	9101-200	1	W MAIN FRAME Custom
39	9101-204	1	P BELT CLAMP
40	9101-300	2	SPRING EXT 1.671 X 1.995 X 26.00 LG
46	BR030214	2	RETAINING RING .625
58	GB000202	1	BELT .95 WIDE
60	GP000209	2	PULLEY ASSEMBLY-3.50
64	HC700428	2	BHSCS .375-16 X 2.25
73	HN704901	2	LOCKNUT .375-16 NYLON
79	HS407100	2	WASH SPRG .650 .790 .062 T
86	HY740000	2	SET SCREW
89	JC700434	1	BHSCS .375-16 X 3.00

FT360S_top_weight_assembly



Ref #	Part Number	Qty	Description
4	11040-301	1	INSERT CLAMP BLOCK
7	4605-323	2	WT ROD .625 DIA X 68.00
8	4700-019	2	BRG FLG .62 X .92 X 1.50 LG
9	4800-255	1	C TOP WT 15-4X18
37	9101-200	1	W MAIN FRAME Custom
38	9101-203	1	P BELT CLAMP POST
43	BH030207	1	PIN WEIGHT SELECTOR
44	BR030206	1	RETAINING RING
58	GB000202	1	BELT .95 WIDE
75	HP286819	1	SPIRAL PIN .188 X 1.12
96	PR060005	2	BUMPER WEIGHT
101	HS760106	2	WASH FLAT 1.750 .688 .140 T
118	4701-013	1	WT PAC 14 4 X 18 BLACK
119	9100-313	1	DECAL WEIGHT PLATE (1-25)
121	4000C101	1	C STACK WT 4X18
122	FB130216	2	Bushing Weight Stack

