

91Ti Treadmill - 3HP DC - Lifepulse

91T-0100-01

Parts Manual

1/5/2019 6:55:25 AM

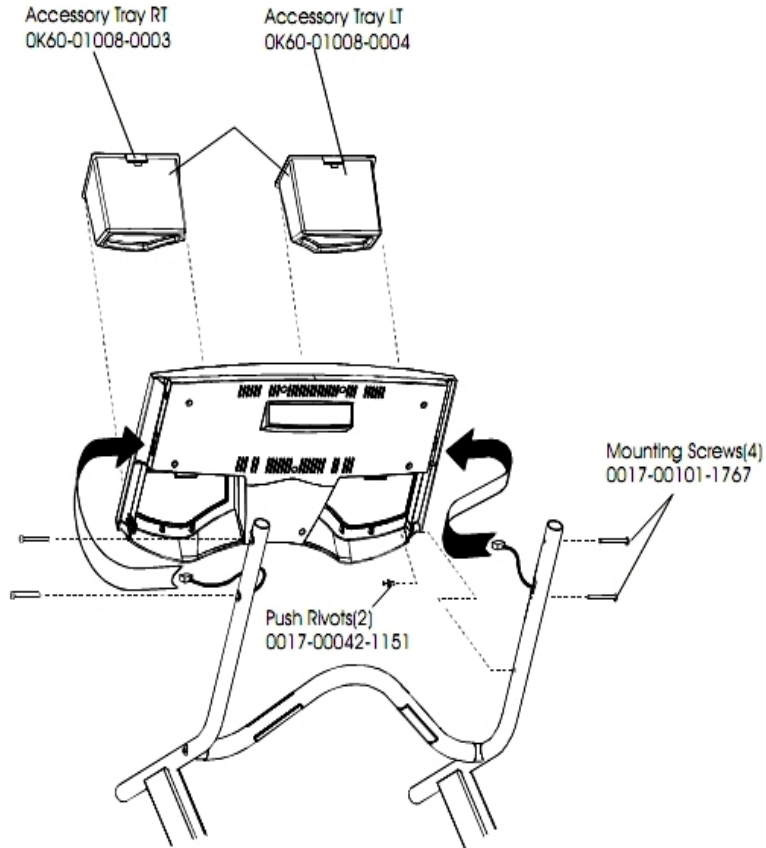


Lifefitness
WHAT WE LIVE FOR

Table of Contents

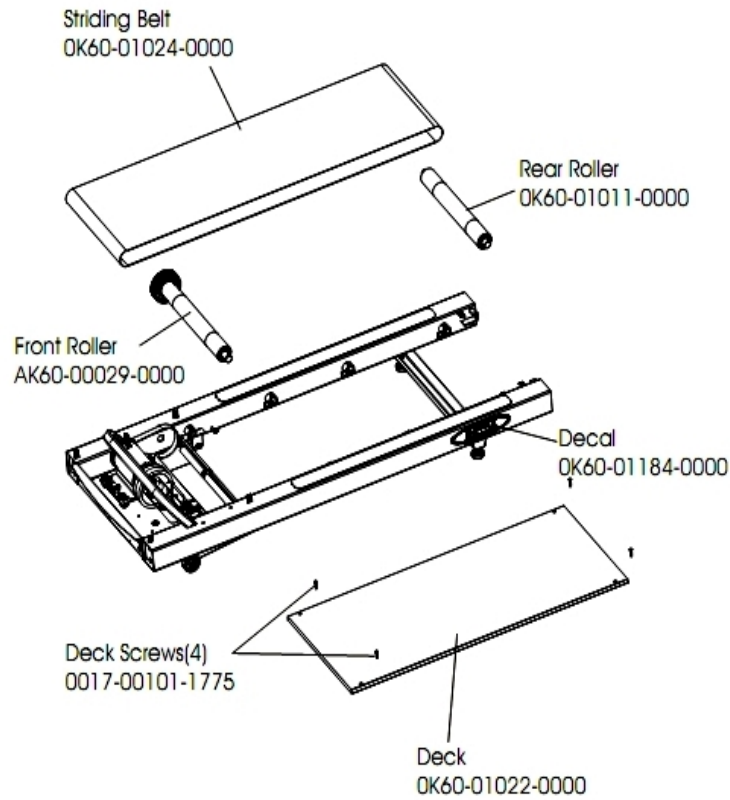
Accessory Trays	3
Belt, Deck and Rear Rollers	4
Cables	5
Console Assembly 1	6
Console Assembly 2	7
Console Assembly 3	8
Drive Motor Assembly	9
DC Controller and On/Off Switch	10
Ergo Bar and Upright Assembly	11
General Assembly	12
Lifesprings and Anti-Static Tinsel	13
Lift Frame Assembly	14
Lift Motor and Home Switch	15
Line Filter Assembly and Line Cord	16
Motor Cover, Leveler and End Caps	17
Rear Roller Guards	18
Sensors	19
Wax Motor, Wax Bag, Wax Nozzle and Bracket	20

Accessory Trays



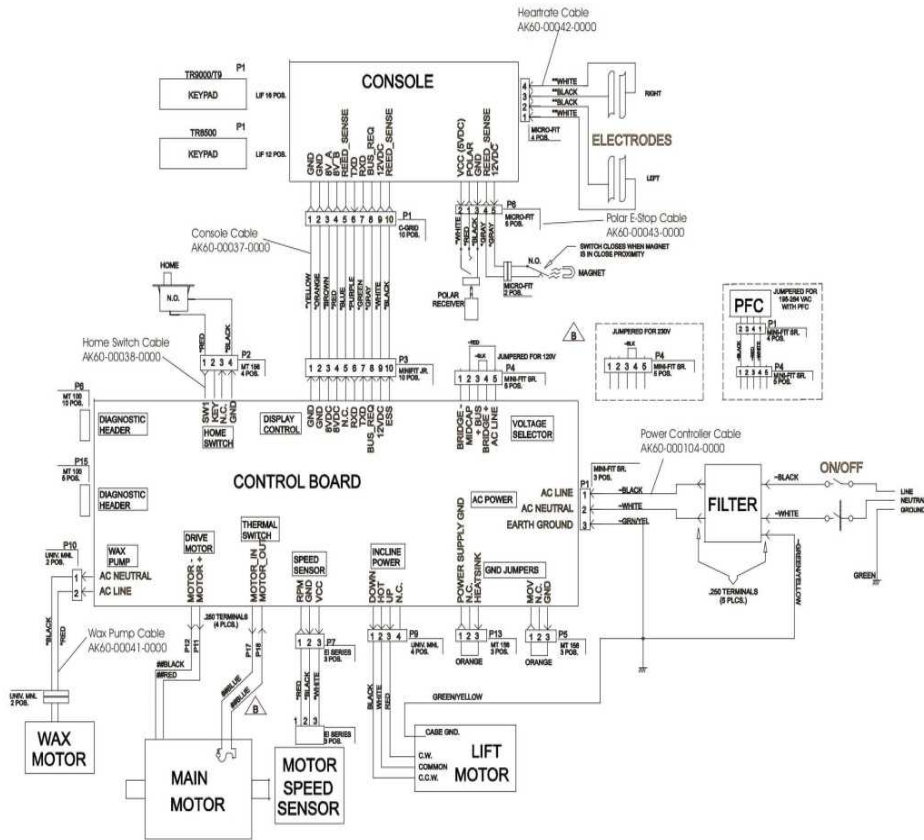
Ref #	Part Number	Qty	Description
-	0017-00042-1151	2	Push Rivets
-	0K60-01008-0003	1	Accessory Tray Right
-	0017-00101-1767	4	Hardware: Mounting Screws(4)
-	0K60-01008-0004	1	Accessory Tray Left

Belt, Deck and Rear Rollers



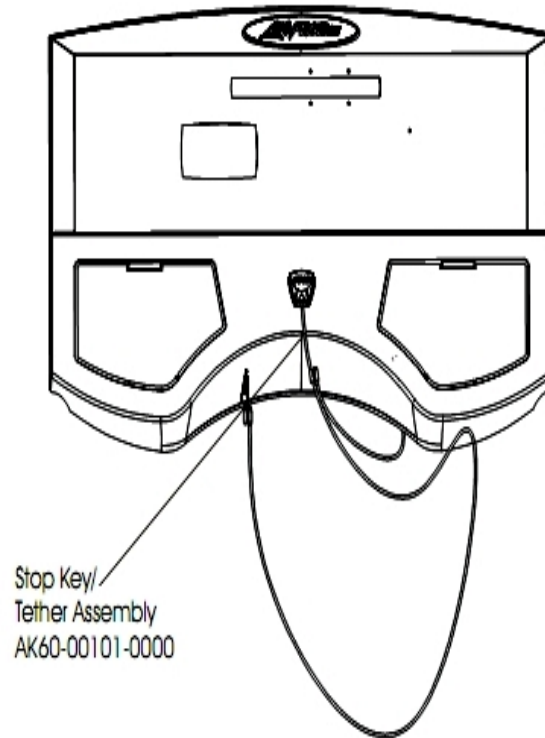
Ref #	Part Number	Qty	Description
-	0017-00101-1775	4	Hardware: Deck Screws 1.25"
-	OK60-01022-0000	1	Deck
-	OK60-01011-0000	1	Rear Roller
-	OK60-01184-0000	1	Decal
-	AK60-00029-0000	1	Front Roller Assembly
-	OK60-01024-0000	1	Striding Belt

Cables



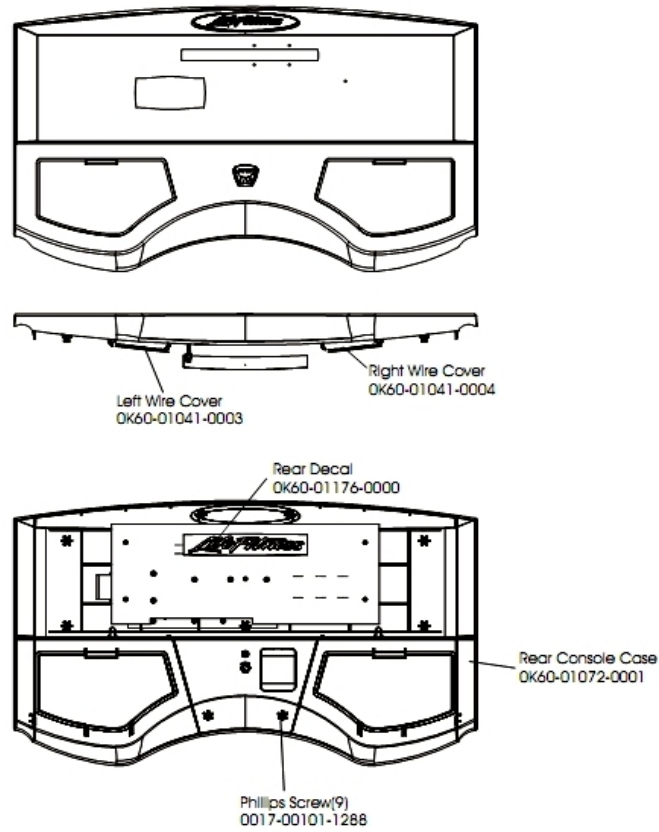
Ref #	Part Number	Qty	Description
-	AK60-00041-0000	1	Wax Pump Cable
-	AK60-00042-0000	1	Heart Rate Cable
-	AK60-00104-0000	1	Power Controller Cable: 220V
-	AK60-00037-0000	1	Console Cable
-	AK60-00043-0000	1	Polar E-Stop Cable
-	AK60-00038-0000	1	Home Switch Cable

Console Assembly 1



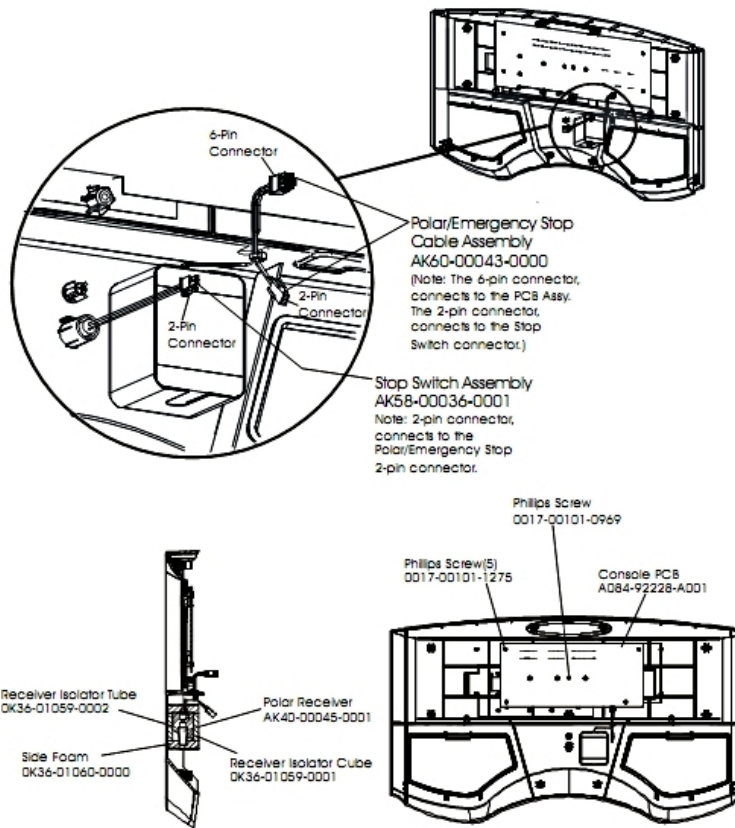
Ref #	Part Number	Qty	Description
-	AK60-00101-0000	1	Stop Key Tether Assembly
-	AK60-00111-0001	1	Console: English/English
-	AK60-00108-0001	1	Overlay/Bezel: English/Metric

Console Assembly 2



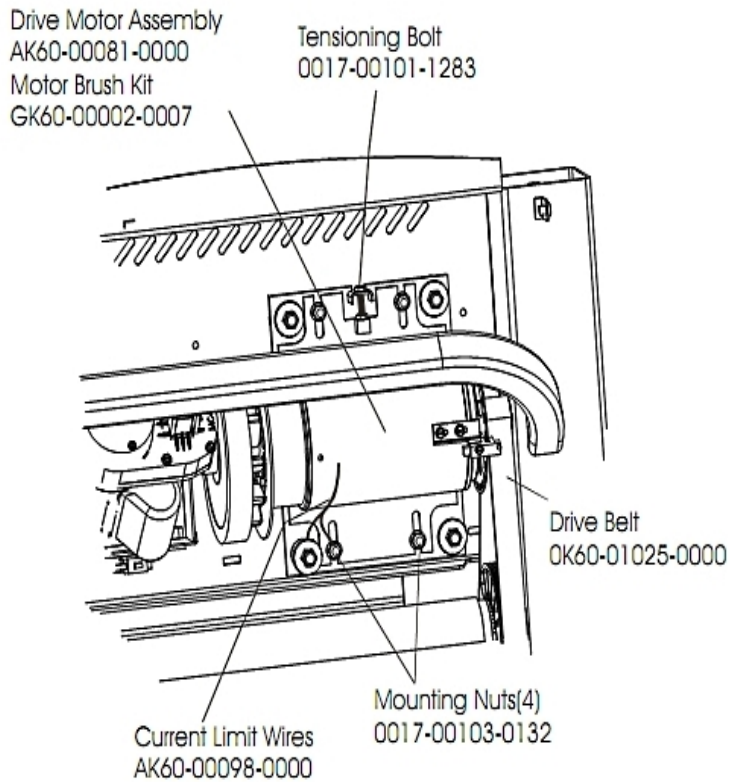
Ref #	Part Number	Qty	Description
-	OK58-01176-0000	1	Rear Decal
-	OK60-01041-0004	1	Right Wire Cover
-	OK60-01072-0001	1	Console Rear Case
-	0017-00101-1288	1	Hardware: Phillips Screw 0.5"
-	OK60-01041-0003	1	Left Wire Cover

Console Assembly 3



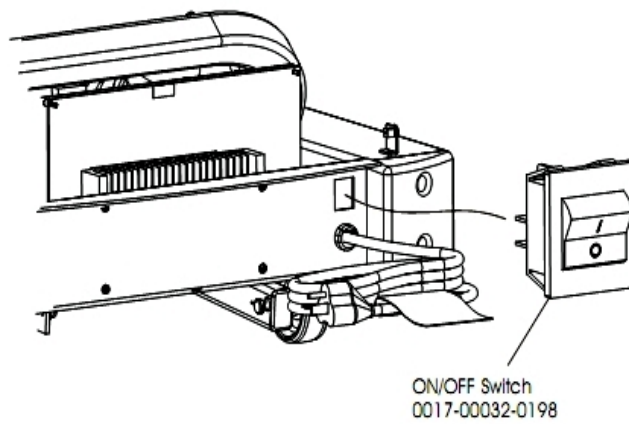
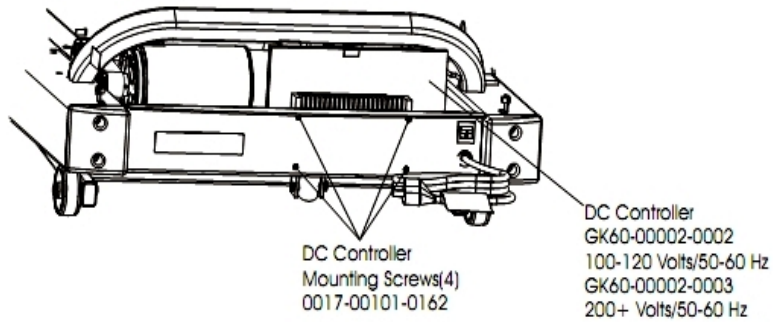
Ref #	Part Number	Qty	Description
-	A084-92228-A001	1	Console PCB
-	0K36-01059-0002	1	Insulator Receiver Tube
-	0017-00101-1275	5	Hardware: Phillips Screw 0.375"
-	AK60-00043-0000	1	Polar E-Stop Cable
-	0K36-01059-0001	1	Isolator Receiver Cube
-	0017-00101-0969	1	Hardware: Phillips Screw
-	0K36-01060-0000	1	Side Foam
-	SK40-00045-0001	1	Polar HR Kit
-	AK58-00036-0000	1	Cable-Assembly: Emergency-Stop Switch

Drive Motor Assembly



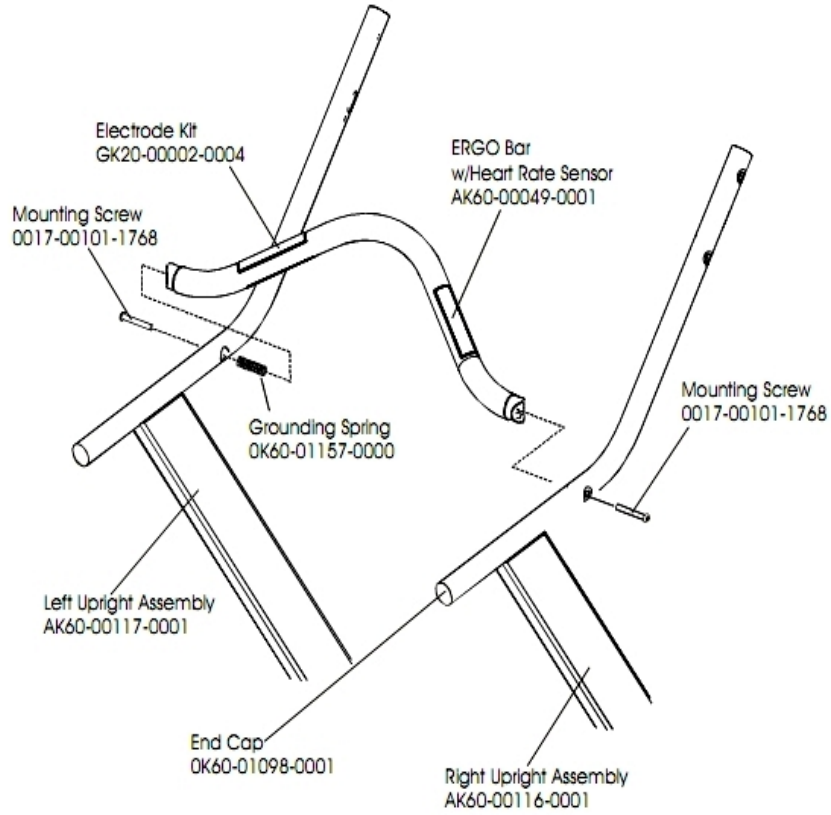
Ref #	Part Number	Qty	Description
-	0017-00101-1283	1	Hardware: Tensioning Bolt
-	GK60-00002-0007	1	Motor Brush Kit
-	0017-00103-0132	4	Hardware: Mounting Nut
-	GK60-00002-0015	1	Kit: Activate Treadmill Belt And Pulley
-	AK60-00081-0001	1	Drive Motor Assembly
-	AK60-00098-0000	1	Current Limit Wires

DC Controller and On/Off Switch



Ref #	Part Number	Qty	Description
-	0017-00101-0162	4	Hardware: Screw 0.375"
-	GK60-00002-0002	1	DC Controller (100-120 Volts)
-	0017-00032-0198	1	On/Off Switch 22A

Ergo Bar and Upright Assembly

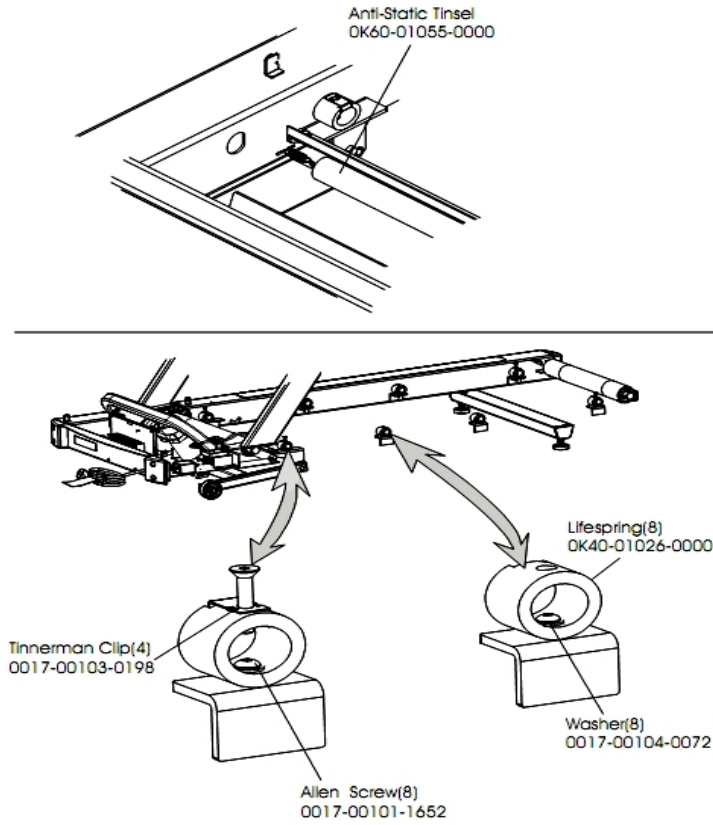


Ref #	Part Number	Qty	Description
-	AK60-00117-0001	1	Upright Assembly: Left
-	GK20-00002-0004	1	Heart Rate Electrode Kit
-	AK60-00049-0001	1	ERGO Bar with Heart Rate Sensor
-	OK60-01098-0001	4	End Cap
-	0017-00101-1768	2	Hardware: Mounting Screw
-	AK60-00116-0001	1	Upright Assembly: Right
-	OK60-01157-0000	1	Grounding Spring

General Assembly

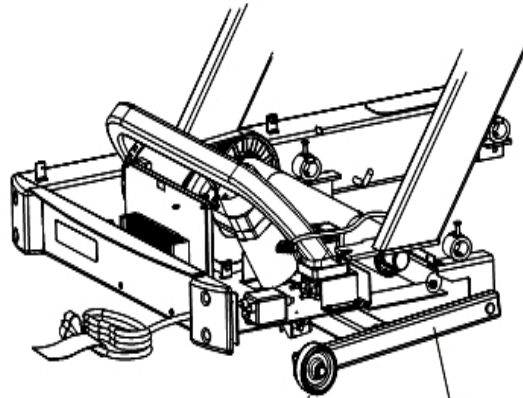
Ref #	Part Number	Qty	Description
-	AK60-00053-0001	1	Hardware Bag

Lifesprings and Anti-Static Tinsel



Ref #	Part Number	Qty	Description
-	0017-00104-0072	8	Hardware: Flat Washer 0.562" OD
-	OK60-01055-0000	1	Anti-Static Tinsel
-	0017-00101-1652	8	Hardware: Spring Mounting Screw 1"
-	OK40-01026-0001	8	Spring: Tecspak, Black S/C-B
-	0017-00103-0198	4	Hardware: Tinnerman Clip 1/4" ID

Lift Frame Assembly

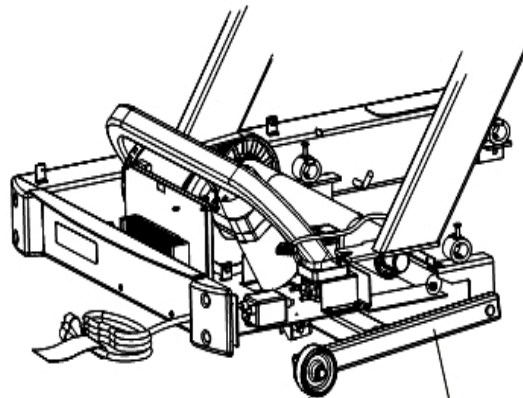


Wheel Assembly
OK60-01020-0000
Cap
OK60-01092-0000
Cotter Pin
0017-00007-0208
Clevis Pin
0017-00007-0270

Lift Frame Assembly
AK60-00065-0000

Ref #	Part Number	Qty	Description
-	AK60-00065-0000	1	Lift Frame Assembly
-	0017-00007-0270	2	Hardware: Clevis Pin - 1/2" D 1.5" L
-	0017-00007-0208	2	Hardware: Cotter Pin
-	OK60-01020-0000	2	Wheel
-	6836601	2	Cap, End 1 X 1-1/2 11 GA

Lift Motor and Home Switch

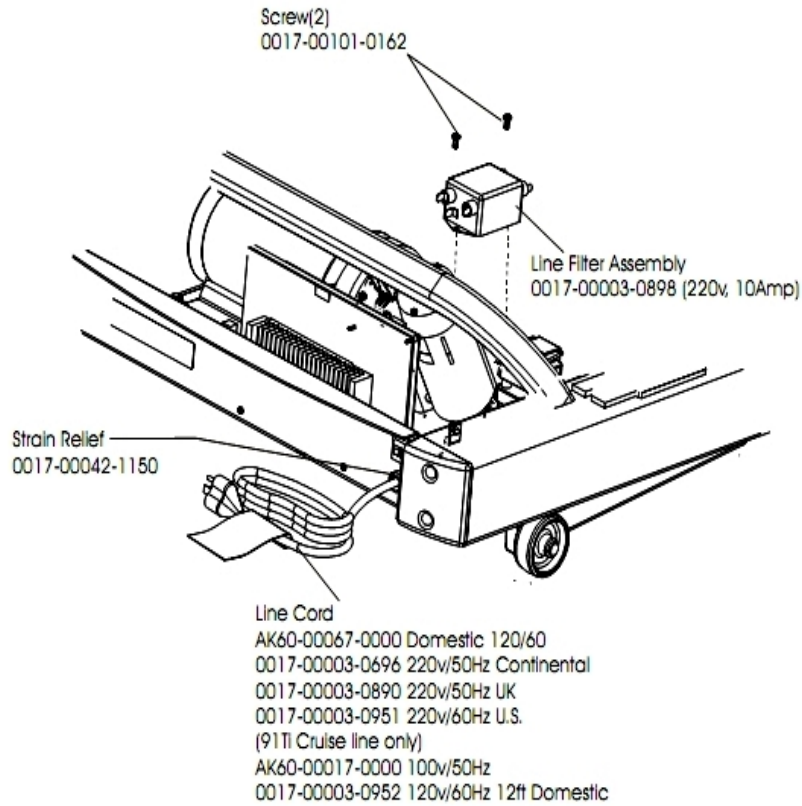


Wheel Assembly
 OK60-01020-0000
 Cap
 OK60-01092-0000
 Cotter Pin
 0017-00007-0208
 Clevis Pin
 0017-00007-0270

Lift Frame Assembly
 AK60-00065-0000

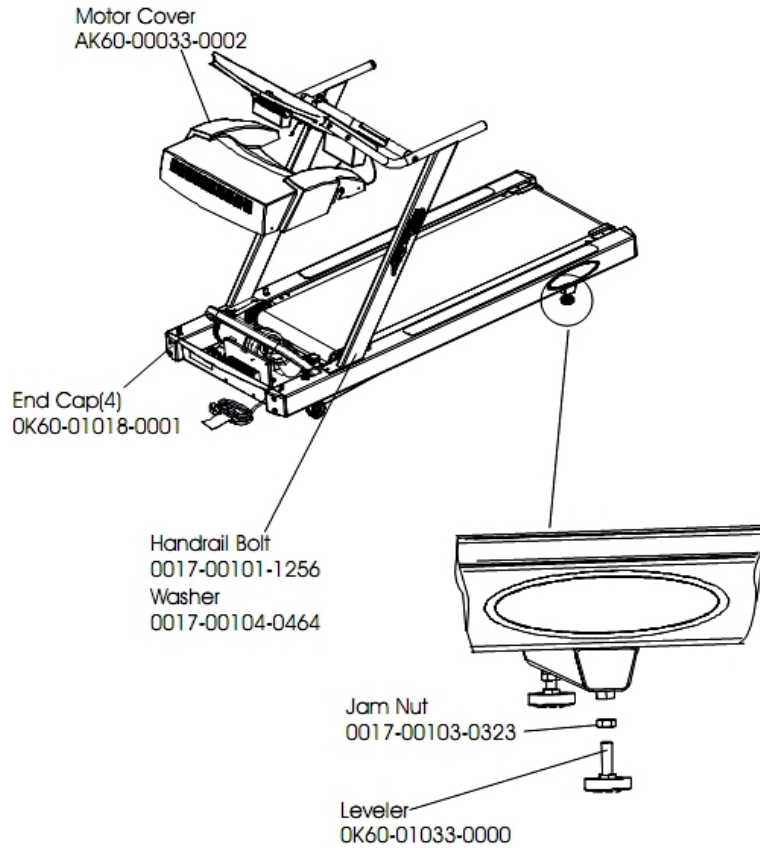
Ref #	Part Number	Qty	Description
-	0017-00007-0214	2	Hardware: Clevis Pin 3/8" D 1.75" L
-	0017-00007-0208	2	Hardware: Cotter Pin
-	OK60-01094-0000	1	Motor: Lift DOM 100V-120V
-	0017-00032-0195	1	Home Switch

Line Filter Assembly and Line Cord



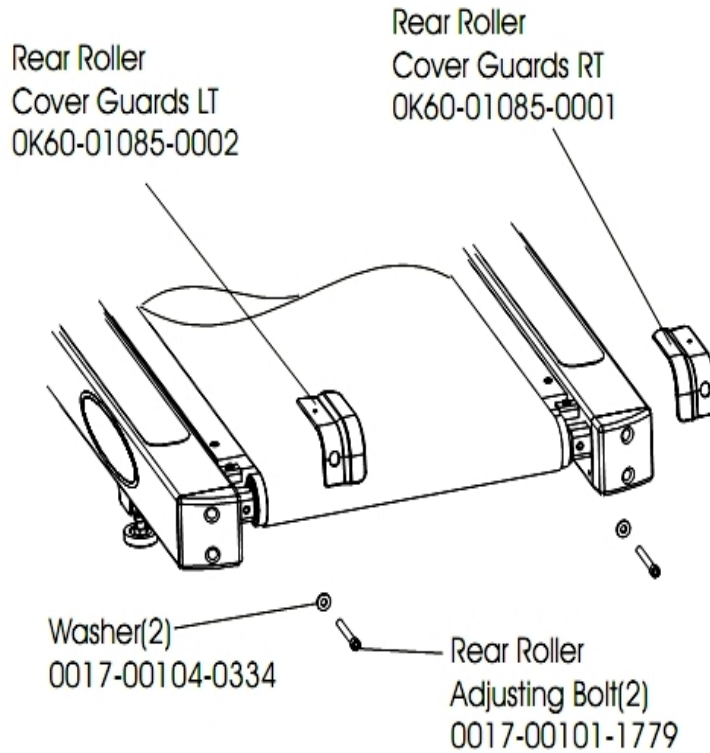
Ref #	Part Number	Qty	Description
-	AK60-00017-0000	1	Wax Nozzle Assembly
-	0017-00101-0162	2	Hardware: Screw 0.375"
-	0017-00042-1150	1	Strain Relief
-	0017-00003-0952	1	Line Cord 120v/60Hz 12ft US
-	AK60-00067-0000	1	Line Cord: US; 120/60

Motor Cover, Leveler and End Caps



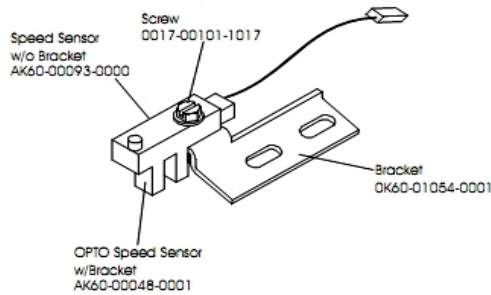
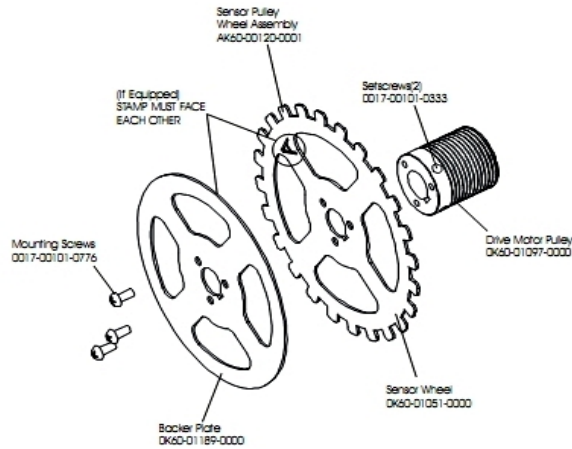
Ref #	Part Number	Qty	Description
-	0017-00101-1256	2	Hardware: Mounting Bolt 5"
-	OK60-01033-0000	2	Leg Leveler
-	AK60-00033-0002	1	Motor Cover
-	OK60-01018-0001	4	End Cap
-	0017-00103-0323	2	Hardware: Nut 1/2" ID
-	0017-00104-0464	2	Hardware: Flat Washer 0.734" OD

Rear Roller Guards



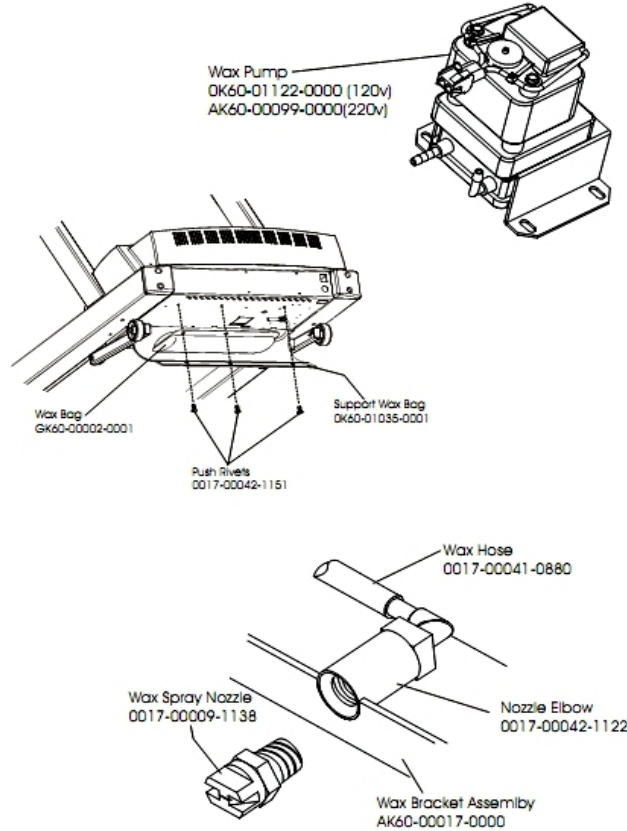
Ref #	Part Number	Qty	Description
-	0017-00101-1779	2	Hardware: Rear Roller Adjusting Bolt
-	OK60-01085-0001	1	Roller Guard: Right
-	OK60-01085-0002	1	Roller Guard: Left
-	0017-00104-0334	2	Hardware: Flat Washers 0.880" OD

Sensors



Ref #	Part Number	Qty	Description
-	AK60-00048-0001	1	OPTO Speed Sensor with Bracket
-	AK60-00120-0001	1	Chopper Pulley Wheel Assembly
-	OK60-01097-0000	1	Drive Motor Pulley
-	OK60-01189-0000	1	Backer Plate
-	0017-00101-0333	2	Hardware: Screw 0.3125"
-	0017-00101-1017	1	Hardware: Leg Cover Screws
-	AK60-00093-0000	1	Speed Sensor without Bracket
-	0017-00101-0776	3	Hardware: Mounting Screws
-	OK60-01054-0001	1	Bracket
-	OK60-01051-0000	1	Sensor Wheel

Wax Motor, Wax Bag, Wax Nozzle and Bracket



Ref #	Part Number	Qty	Description
-	0017-00041-0880	1	Wax Hose
-	OK60-01122-0000	1	Wax Motor (120v)
-	OK60-01035-0001	1	Support Wax Bag
-	0017-00009-1138	1	Wax Spray Nozzle
-	0017-00042-1151	3	Push Rivets
-	0017-00042-1122	1	Nozzle Elbow
-	GK60-00002-0001	1	Wax Bag
-	AK60-00017-0000	1	Wax Nozzle Assembly

