

# 91Ti Treadmill - 3HP DC - Lifepulse - Arctric Silver

91T-0101-02

## Parts Manual

1/5/2019 6:56:53 AM



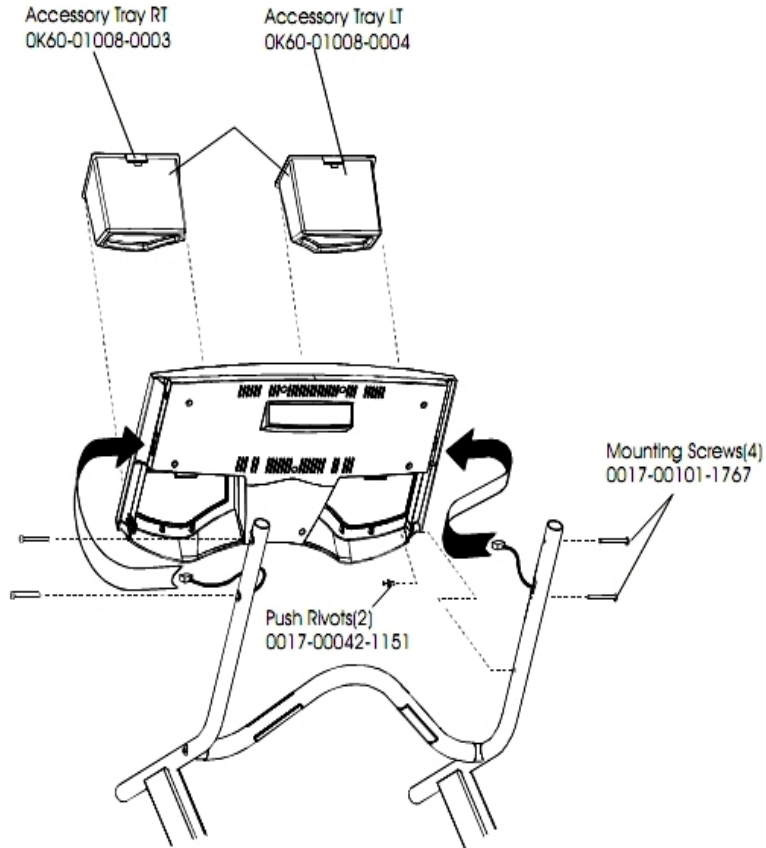
**LifeFitness**  
WHAT WE LIVE FOR

**Table of Contents**

---

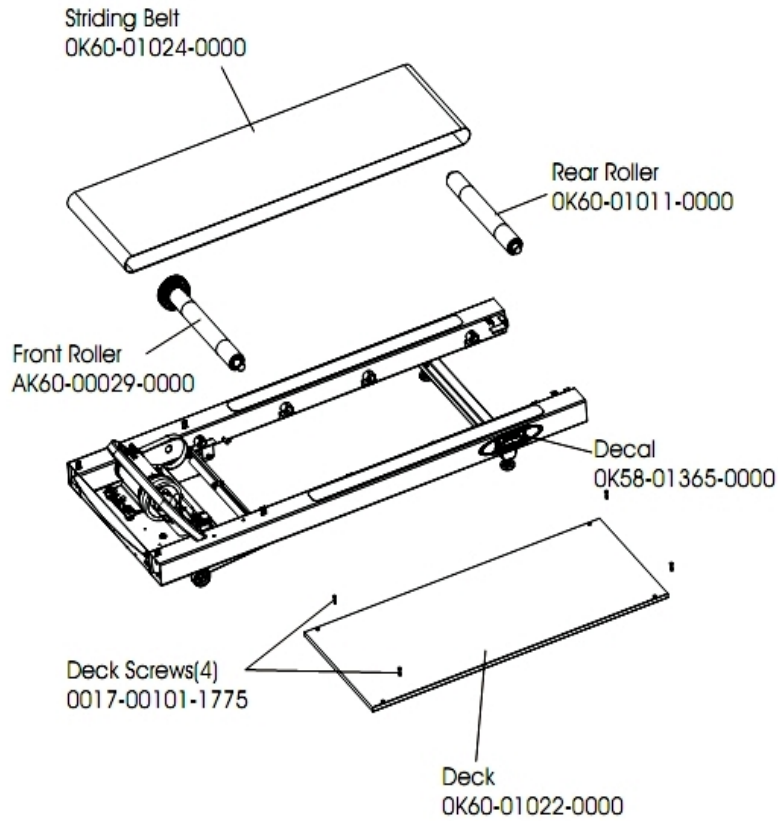
<a href="#">Accessory Trays</a> .....	3
<a href="#">Belt, Deck and Rear Rollers</a> .....	4
<a href="#">Cables</a> .....	5
<a href="#">Console Assembly 1</a> .....	6
<a href="#">Console Assembly 2</a> .....	7
<a href="#">Console Assembly 3</a> .....	8
<a href="#">Drive Motor Assembly</a> .....	9
<a href="#">DC Controller and On/Off Switch</a> .....	10
<a href="#">Ergo Bar and Upright Assembly</a> .....	11
<a href="#">Lifesprings and Anti-Static Tinsel</a> .....	12
<a href="#">Lift Frame Assembly</a> .....	13
<a href="#">Lift Motor and Home Switch</a> .....	14
<a href="#">Line Cord and Line Filter</a> .....	15
<a href="#">Miscellaneous</a> .....	16
<a href="#">Motor Cover, Leveler and End Caps</a> .....	17
<a href="#">Rear Roller Guards</a> .....	18
<a href="#">Sensors</a> .....	19
<a href="#">Wax Pump, Bag, Nozzle and Bracket</a> .....	20

## Accessory Trays



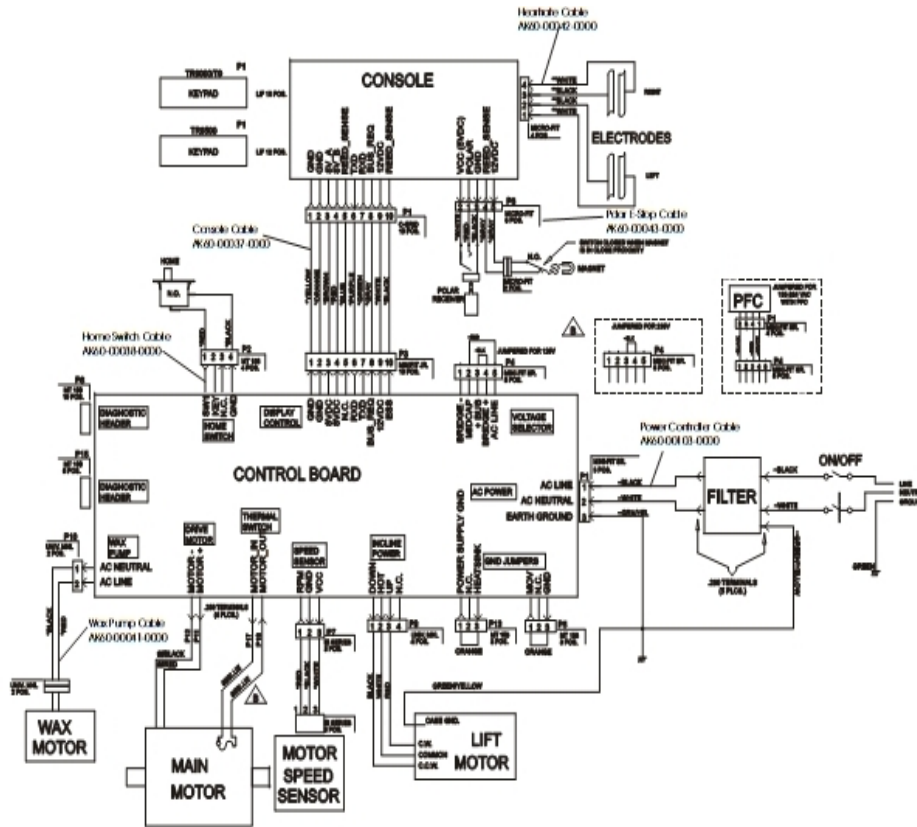
Ref #	Part Number	Qty	Description
-	0017-00042-1151	2	Push Rivets
-	0017-00101-1767	4	Hardware: Mounting Screws(4)
-	0K60-01008-0003	1	Accessory Tray Right
-	0K60-01008-0004	1	Accessory Tray Left

## Belt, Deck and Rear Rollers



Ref #	Part Number	Qty	Description
-	0017-00101-1775	4	Hardware: Deck Screws 1.25"
-	OK60-01022-0000	1	Deck
-	OK58-01365-0000	1	Decal
-	AK60-00029-0000	1	Front Roller Assembly
-	OK60-01011-0000	1	Rear Roller
-	OK60-01024-0000	1	Striding Belt

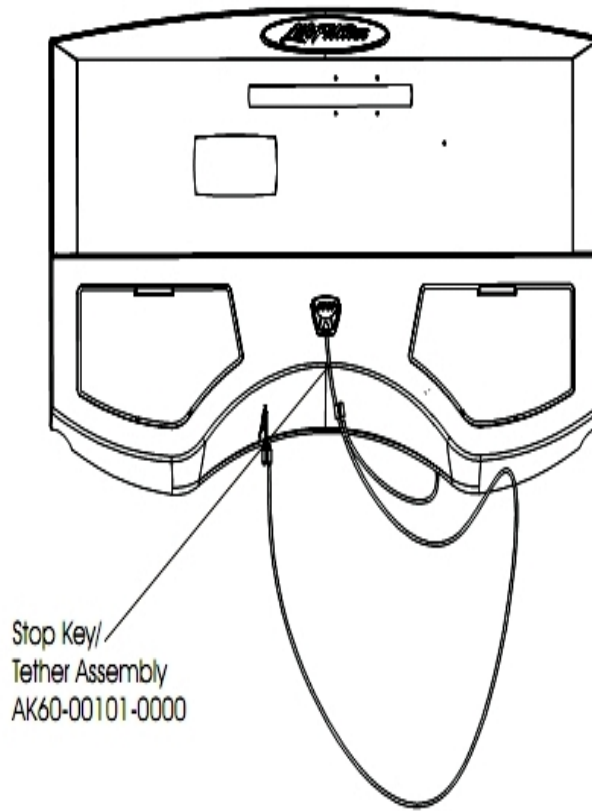
## Cables



Ref #	Part Number	Qty	Description
-	AK60-0037-0000	1	Console Cable
-	AK60-0043-0000	1	Polar E-Stop Cable
-	AK60-0038-0000	1	Home Switch Cable
-	AK60-0041-0000	1	Wax Pump Cable
-	AK60-00103-0000	1	Power Controller Cable: 120V
-	AK60-00042-0000	1	Heart Rate Cable

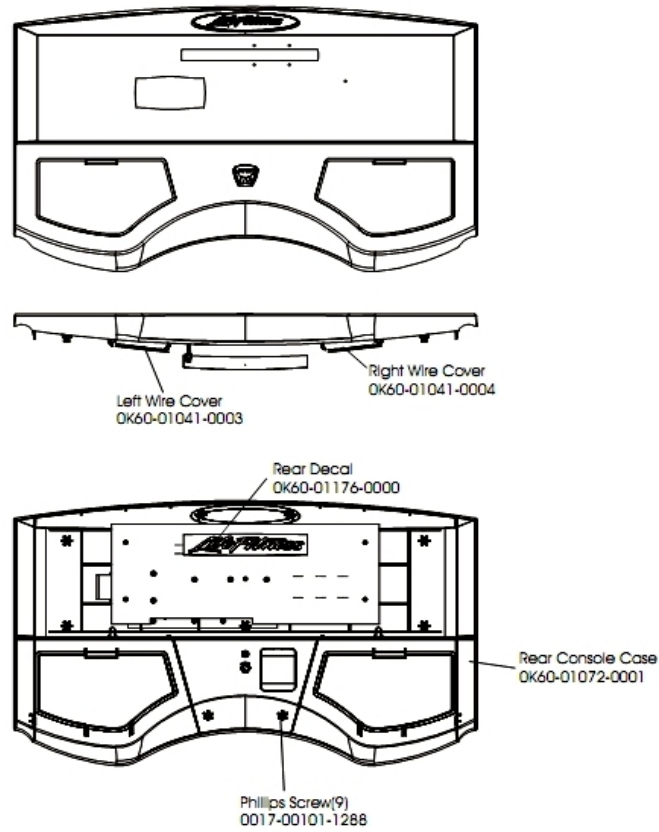
## Console Assembly 1

---



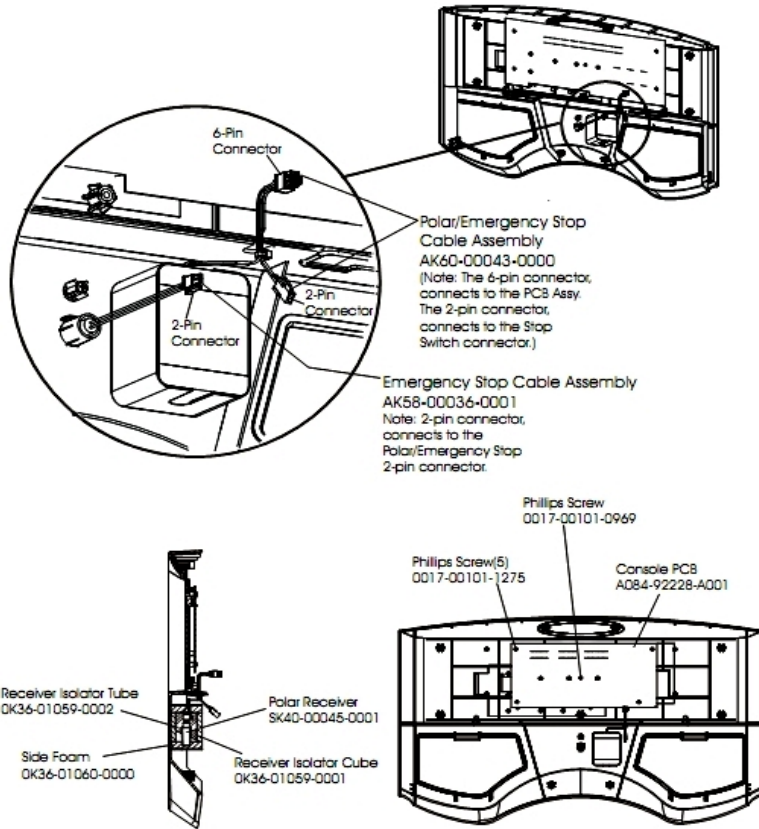
Ref #	Part Number	Qty	Description
-	AK60-00108-0001	1	Overlay/Bezel: English/Metric
-	AK60-00101-0000	1	Stop Key Tether Assembly
-	AK60-00111-0001	1	Console: English/English

## Console Assembly 2



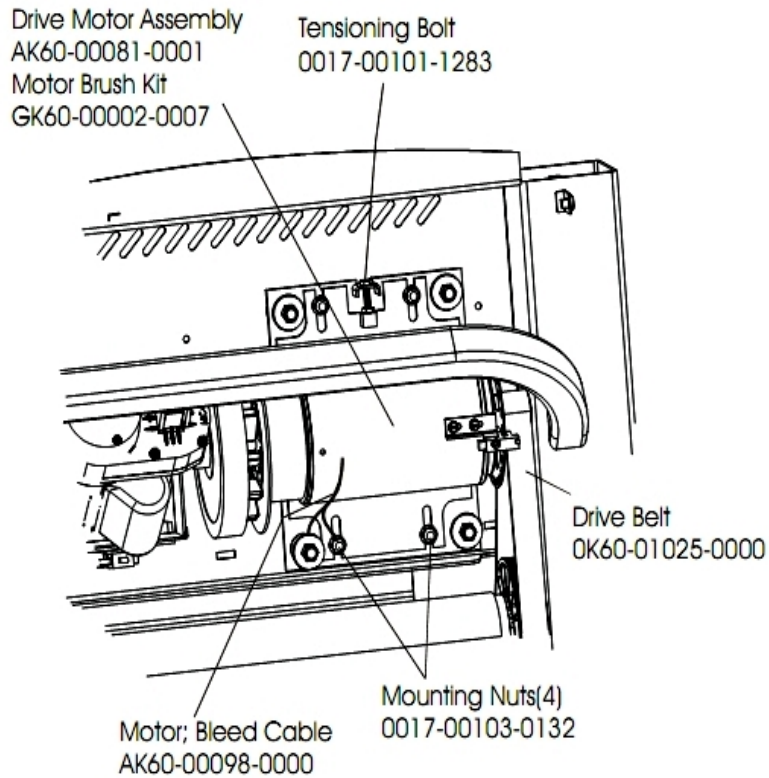
Ref #	Part Number	Qty	Description
-	OK60-01176-0000	1	Rear Decal
-	OK60-01041-0003	1	Left Wire Cover
-	OK60-01041-0004	1	Right Wire Cover
-	0017-00101-1288	9	Hardware: Phillips Screw 0.5"
-	OK60-01072-0001	1	Console Rear Case

# Console Assembly 3



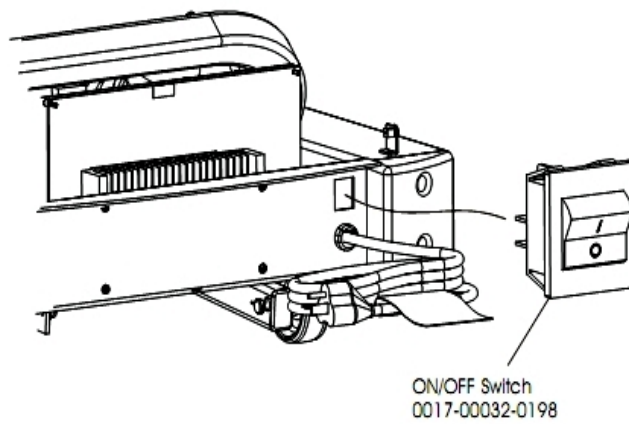
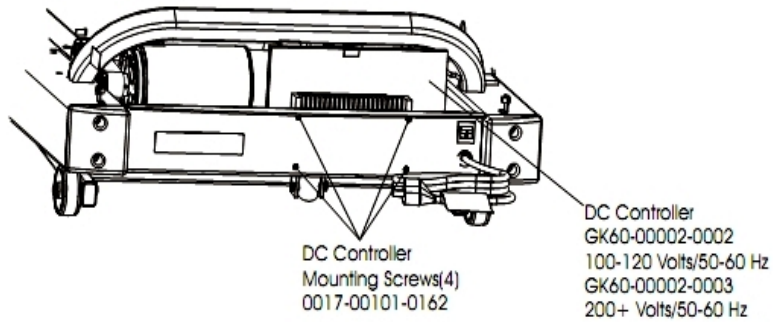
Ref #	Part Number	Qty	Description
-	0017-00101-1275	5	Hardware: Phillips Screw 0.375"
-	0017-00101-0969	1	Hardware: Phillips Screw
-	OK36-01060-0000	1	Side Foam
-	AK60-00043-0000	1	Polar E-Stop Cable
-	AK58-00036-0000	1	Cable-Assembly: Emergency-Stop Switch
-	SK40-00045-0001	1	Polar HR Kit
-	OK36-01059-0002	1	Insulator Receiver Tube
-	OK36-01059-0001	1	Isolator Receiver Cube
-	A084-92228-A001	1	Console PCB

## Drive Motor Assembly



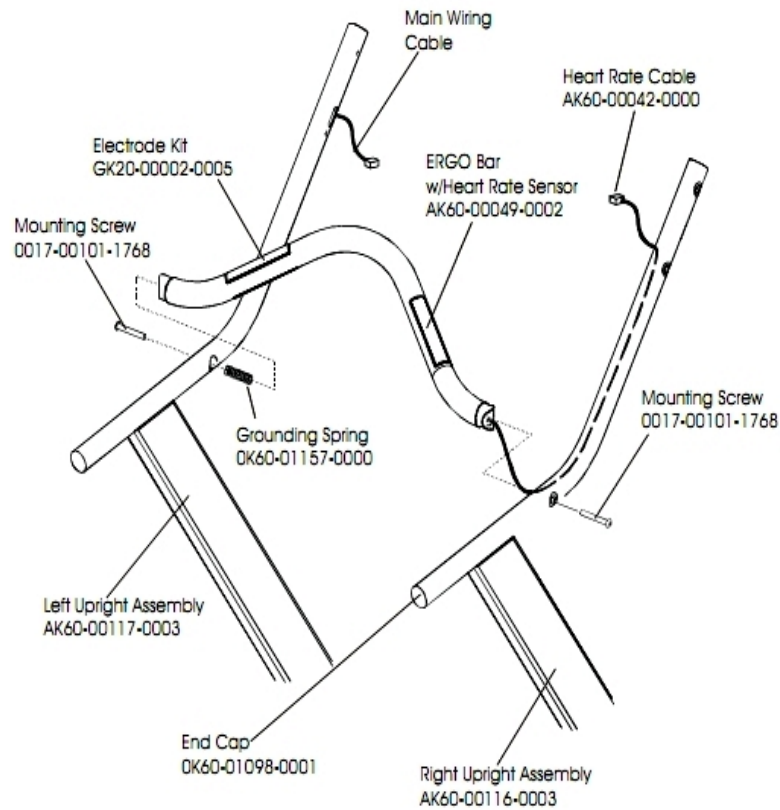
Ref #	Part Number	Qty	Description
-	GK60-00002-0007	1	Motor Brush Kit
-	0017-00103-0132	4	Hardware: Mounting Nut
-	AK60-00081-0001	1	Drive Motor Assembly
-	GK60-00002-0015	1	Kit: Activate Treadmill Belt And Pulley
-	AK60-00098-0000	1	Current Limit Wires
-	0017-00101-1283	1	Hardware: Tensioning Bolt

## DC Controller and On/Off Switch



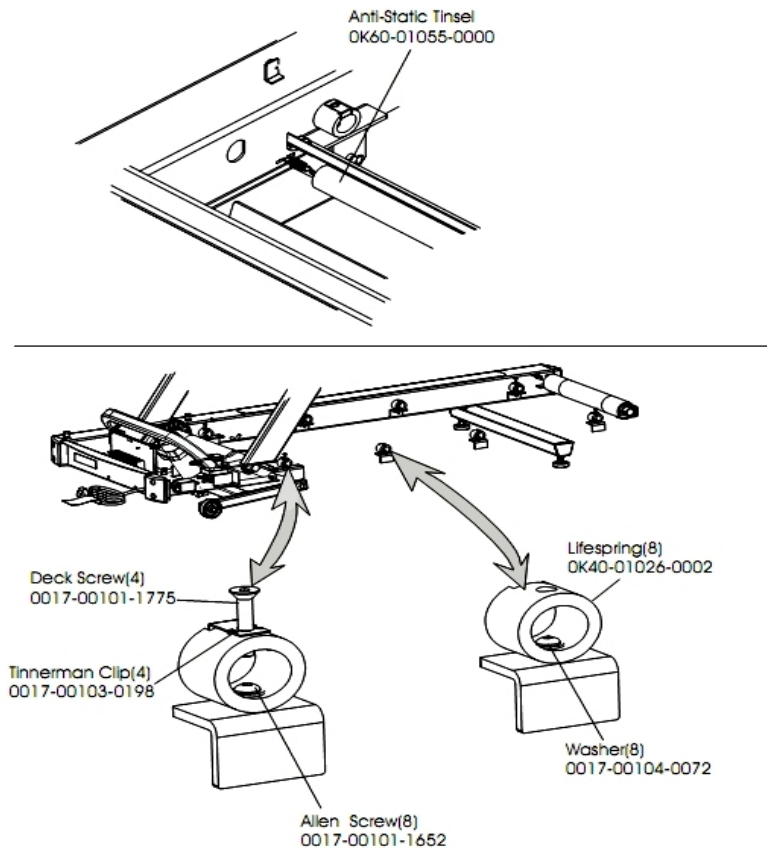
Ref #	Part Number	Qty	Description
-	GK60-00002-0003	1	DC Controller 200+ Volts/50-60 Hz
-	0017-00032-0198	1	On/Off Switch 22A
-	0017-00101-0162	4	Hardware: Screw 0.375"

## Ergo Bar and Upright Assembly



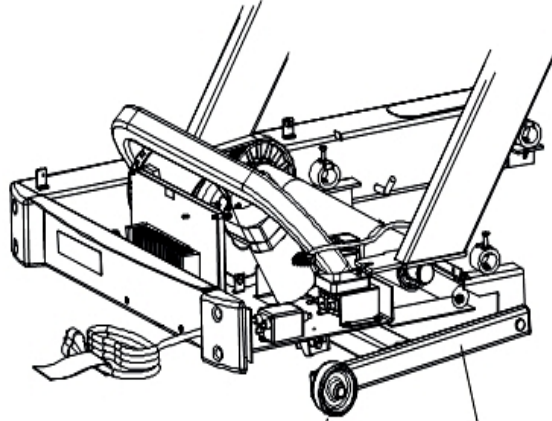
Ref #	Part Number	Qty	Description
-	AK60-00117-0003	1	Upright Assembly: Left
-	GK20-00002-0005	1	Heart Rate Electrode Kit
-	OK60-01157-0000	1	Grounding Spring
-	OK60-01098-0001	4	End Cap
-	AK60-00042-0000	2	Heart Rate Cable
-	0017-00101-1768	2	Hardware: Mounting Screw
-	AK60-00116-0003	1	Upright Assembly: Right
-	AK60-00049-0002	1	ERGO Bar with Heart Rate Sensor

## Lifesprings and Anti-Static Tinsel



Ref #	Part Number	Qty	Description
-	0017-00104-0072	8	Hardware: Flat Washer 0.562" OD
-	0017-00101-1775	4	Hardware: Deck Screws 1.25"
-	0017-00101-1652	8	Hardware: Spring Mounting Screw 1"
-	0017-00103-0198	4	Hardware: Tinnerman Clip 1/4" ID
-	OK60-01055-0000	1	Anti-Static Tinsel
-	OK40-01026-0002	8	Deck Spring

## Lift Frame Assembly

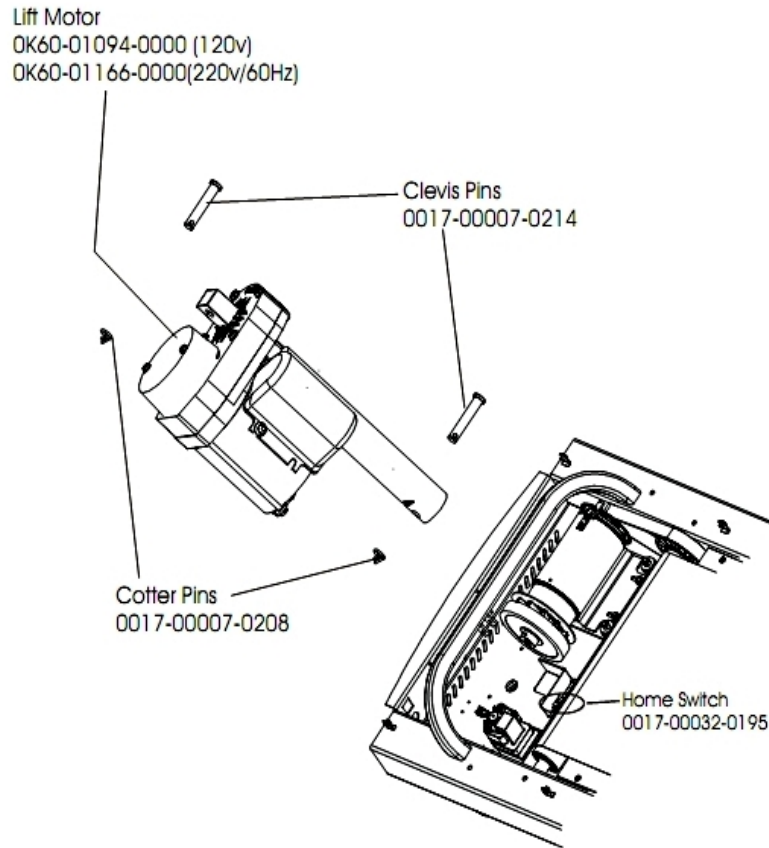


Lift Arm Wheel  
OK60-01020-0000  
Cap, Tube End  
OK60-01092-0000  
Cotter Pin  
0017-00007-0208  
Clevis Pin  
0017-00007-0271

Lift Frame Assembly  
AK60-00065-0000

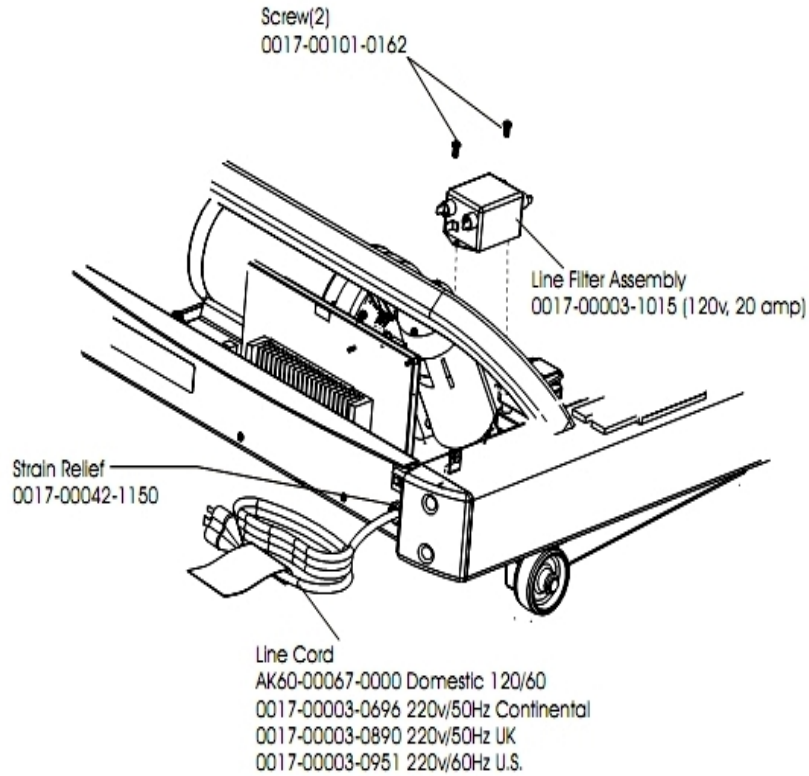
Ref #	Part Number	Qty	Description
-	OK60-01020-0000	2	Wheel
-	AK60-00065-0000	1	Lift Frame Assembly
-	0017-00007-0271	2	Hardware: Clevis Pin - 1/2" D 2.75" L
-	6836601	2	Cap, End 1 X 1-1/2 11 GA
-	0017-00007-0208	2	Hardware: Cotter Pin

## Lift Motor and Home Switch



Ref #	Part Number	Qty	Description
-	0017-00032-0195	1	Home Switch
-	OK60-01166-0000	1	Lift Motor (220v)
-	0017-00007-0214	2	Hardware: Clevis Pin 3/8" D 1.75" L
-	0017-00007-0208	2	Hardware: Cotter Pin

## Line Cord and Line Filter



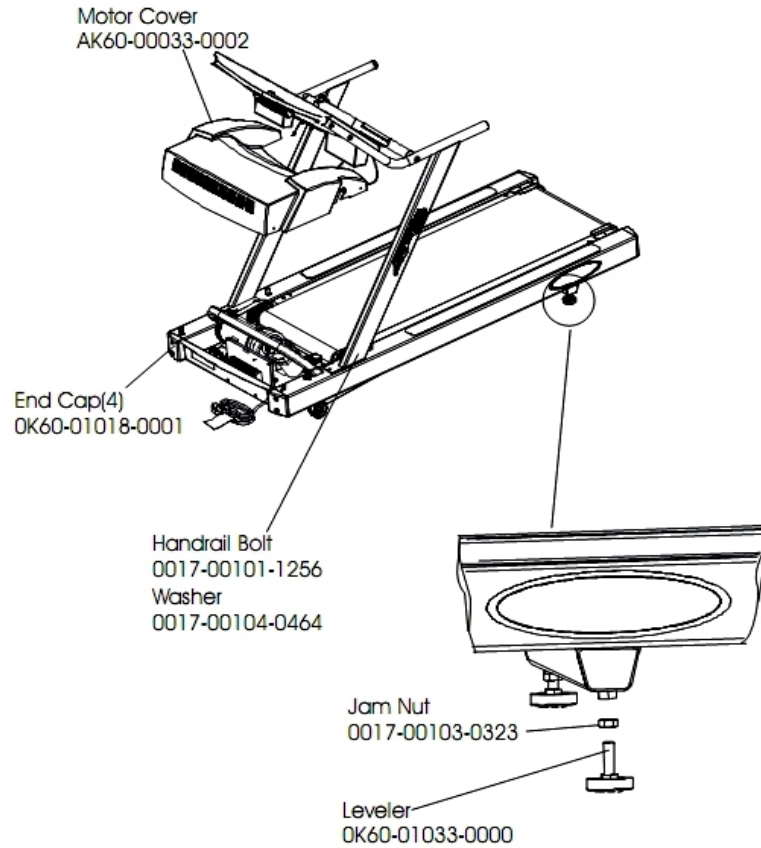
Ref #	Part Number	Qty	Description
-	0017-00042-1150	1	Strain Relief
-	0017-00101-0162	2	Hardware: Screw 0.375"
-	0017-00003-0890	1	Line Cord: UK

## Miscellaneous

---

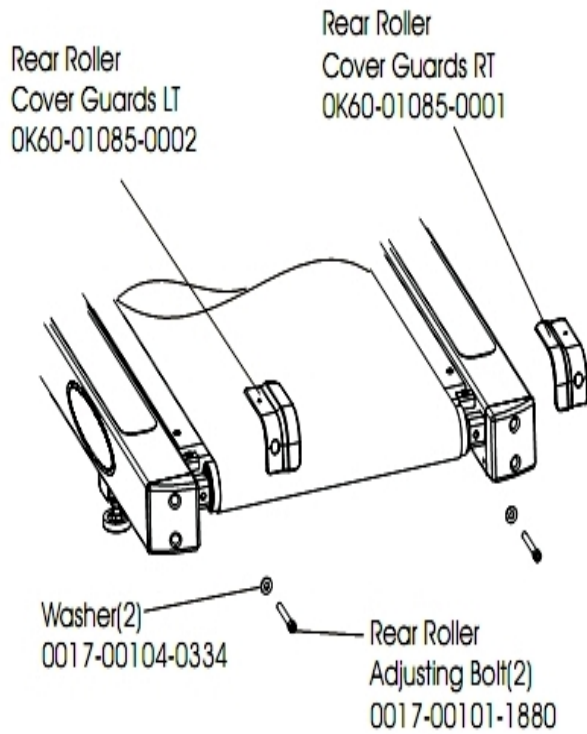
Ref #	Part Number	Qty	Description
-	0017-00008-0205	1	5 oz Bottle - Arctic Silver
-	0017-00008-0204	1	Paint Spray Can - Arctic Silver
-	AK60-00053-0001	1	Hardware Bag
-	0017-00008-0206	1	.33oz Pen - Arctic Silver

## Motor Cover, Leveler and End Caps



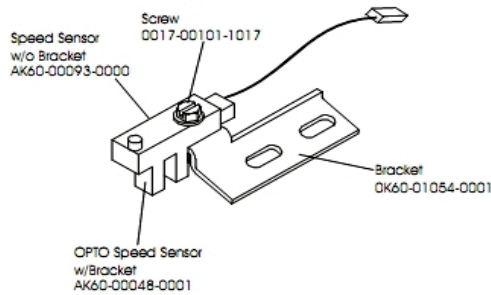
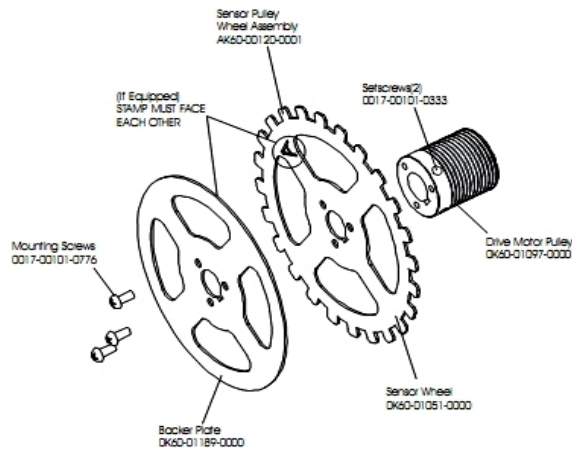
Ref #	Part Number	Qty	Description
-	0017-00101-1256	2	Hardware: Mounting Bolt 5"
-	OK60-01033-0000	2	Leg Leveler
-	0017-00104-0464	2	Hardware: Flat Washer 0.734" OD
-	OK60-01018-0001	4	End Cap
-	0017-00103-0323	2	Hardware: Nut 1/2" ID
-	AK60-00033-0002	1	Motor Cover

## Rear Roller Guards



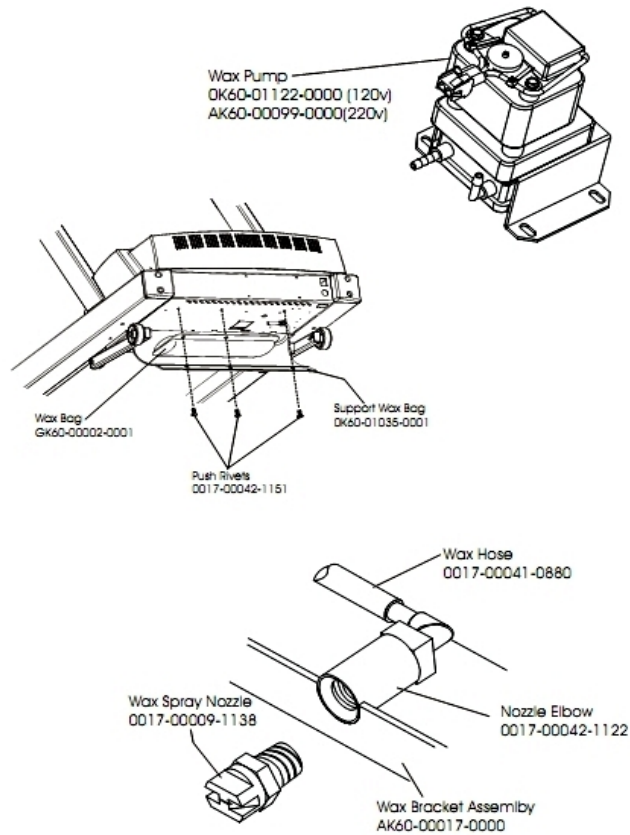
Ref #	Part Number	Qty	Description
-	OK60-01085-0001	1	Roller Guard: Right
-	0017-00104-0334	2	Hardware: Flat Washers 0.880" OD
-	0017-00101-1880	2	Hardware: Tension Bolts 3"
-	OK60-01085-0002	1	Roller Guard: Left

## Sensors



Ref #	Part Number	Qty	Description
-	OK60-01051-0000	1	Sensor Wheel
-	OK60-01054-0001	1	Bracket
-	AK60-00048-0001	1	OPTO Speed Sensor with Bracket
-	AK60-00093-0000	1	Speed Sensor without Bracket
-	OK60-01189-0000	1	Backer Plate
-	0017-00101-0333	2	Hardware: Screw 0.3125"
-	0017-00101-1017	1	Hardware: Leg Cover Screws
-	0017-00101-0776	3	Hardware: Mounting Screws
-	AK60-00120-0001	1	Chopper Pulley Wheel Assembly
-	OK60-01097-0000	1	Drive Motor Pulley

## Wax Pump, Bag, Nozzle and Bracket



Ref #	Part Number	Qty	Description
-	AK60-00017-0000	1	Wax Nozzle Assembly
-	AK60-00099-0000	1	Wax Motor: 220V
-	0017-00042-1122	1	Nozzle Elbow
-	GK60-00002-0001	1	Wax Bag
-	0017-00041-0880	1	Wax Hose
-	0017-00009-1138	1	Wax Spray Nozzle
-	0017-00042-1151	3	Push Rivets
-	OK60-01035-0001	1	Support Wax Bag

