

91Ti Treadmill - 3HP DC - Heart Rate

91T-0101-04

Parts Manual

1/5/2019 6:56:53 AM

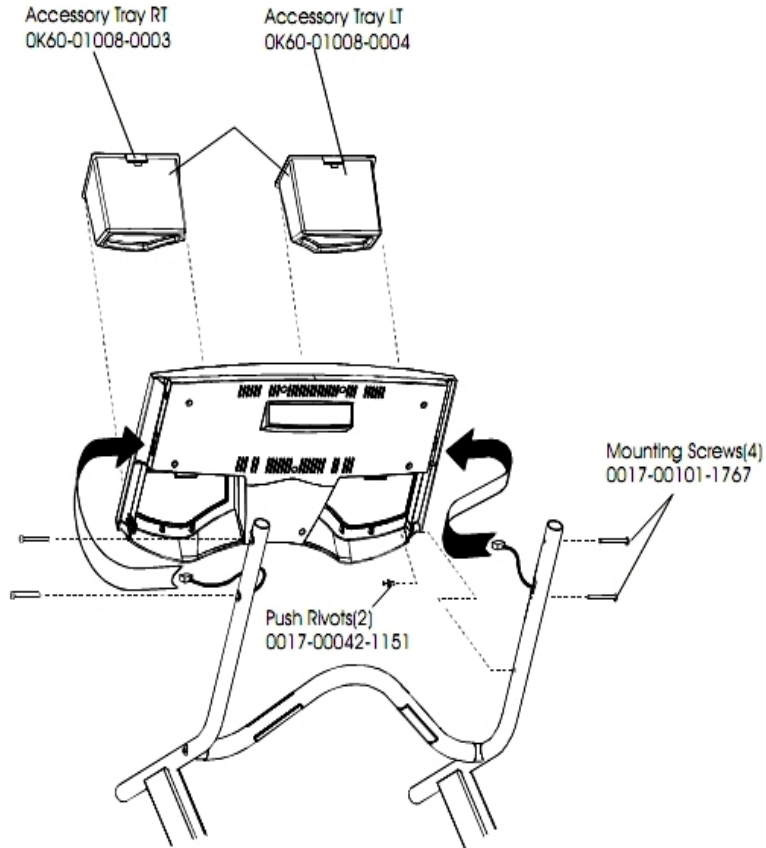


Life Fitness
WHAT WE LIVE FOR

Table of Contents

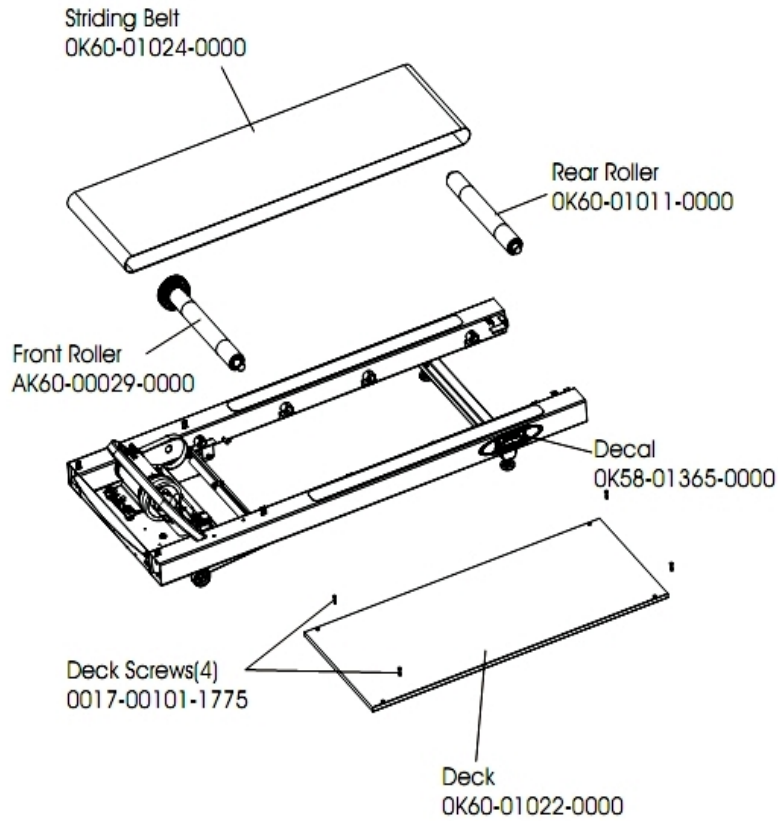
Accessory Trays	3
Belt, Deck And Rollers	4
Cables	5
Console Assembly 1	6
Console Assembly 2	7
Console Assembly 3	8
Dc Controller And On/Off Switch	9
Drive Motor Assembly	10
Ergo Bar And Upright Assembly	11
Lifesprings And Anti-Static Tinsel	12
Lift Frame Assembly	13
Lift Motor And Home Switch	14
Line Cords And Line Cord Options	15
Line Filter	16
Motor Cover, Leveler And End Caps	17
References	18
Roller Guard Assembly	19
Sensors	20
Wax Pump, Bag, Nozzle And Bracket	21

Accessory Trays



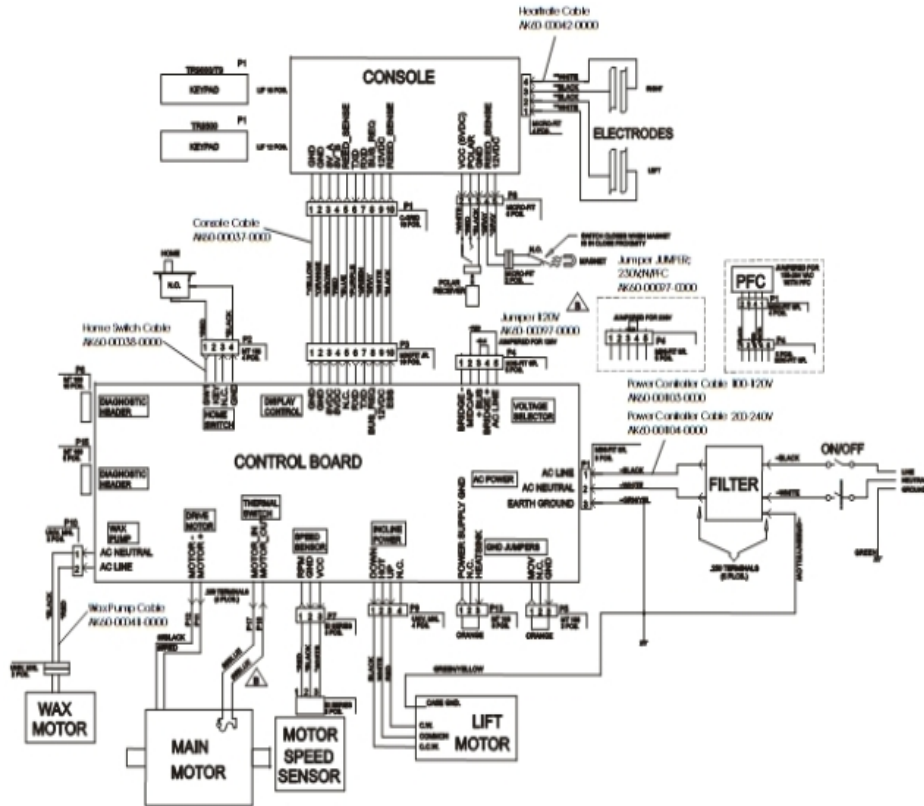
Ref #	Part Number	Qty	Description
-	0017-00042-1151	2	Push Rivets
-	0017-00101-1767	4	Hardware: Mounting Screws(4)
-	OK60-01008-0003	1	Accessory Tray Right
-	OK60-01008-0004	1	Accessory Tray Left

Belt, Deck And Rollers



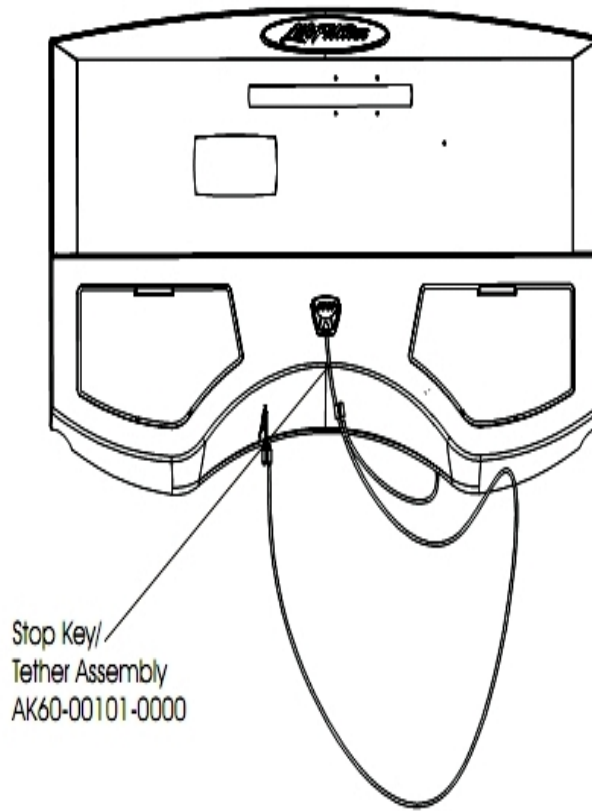
Ref #	Part Number	Qty	Description
-	0017-00101-1775	4	Hardware: Deck Screws 1.25"
-	OK60-01022-0000	1	Deck
-	OK58-01365-0000	1	Decal
-	AK60-00029-0000	1	Front Roller Assembly
-	OK60-01011-0000	1	Rear Roller
-	OK60-01024-0000	1	Striding Belt

Cables



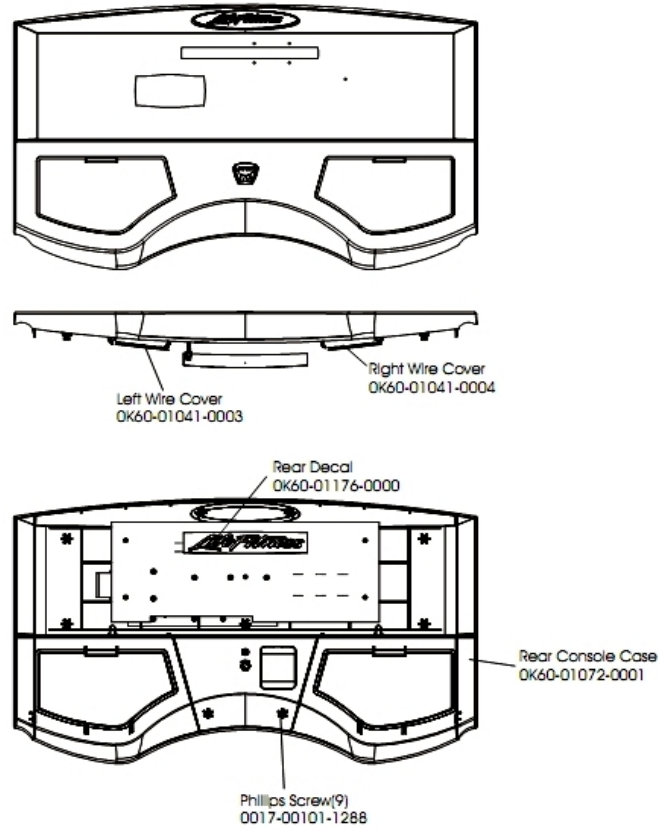
Ref #	Part Number	Qty	Description
-	AK60-00038-0000	1	Home Switch Cable
-	AK60-00104-0000	1	Power Controller Cable: 220V
-	AK60-00042-0000	1	Heart Rate Cable
-	AK60-00097-0000	1	Jumper: 120V
-	AK60-00041-0000	1	Wax Pump Cable
-	AK60-00037-0000	1	Console Cable

Console Assembly 1



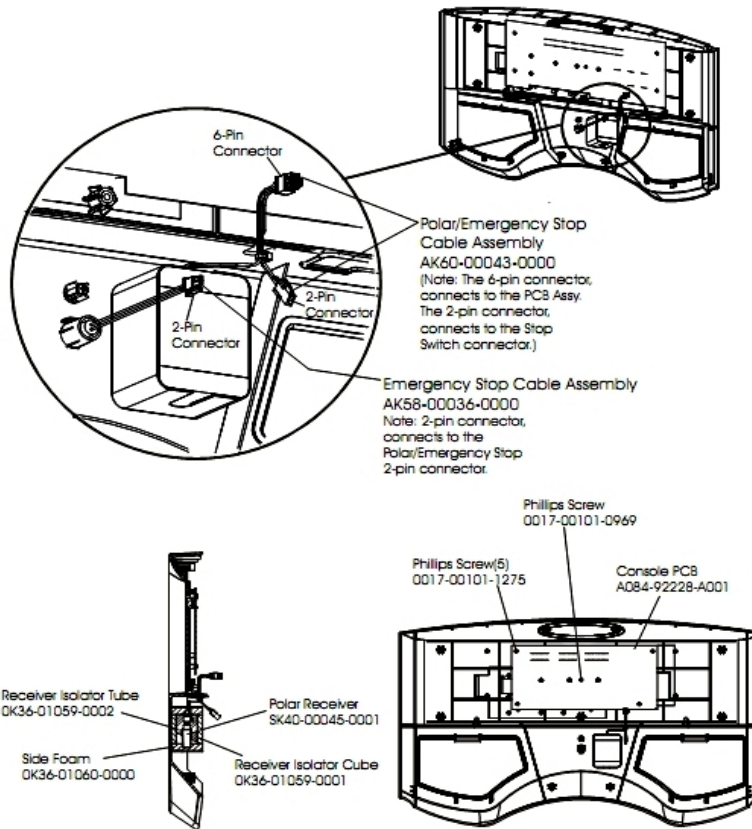
Ref #	Part Number	Qty	Description
-	AK60-00108-0001	1	Overlay/Bezel: English/Metric
-	AK60-00101-0000	1	Stop Key Tether Assembly
-	AK60-00111-0001	1	Console: English/English

Console Assembly 2



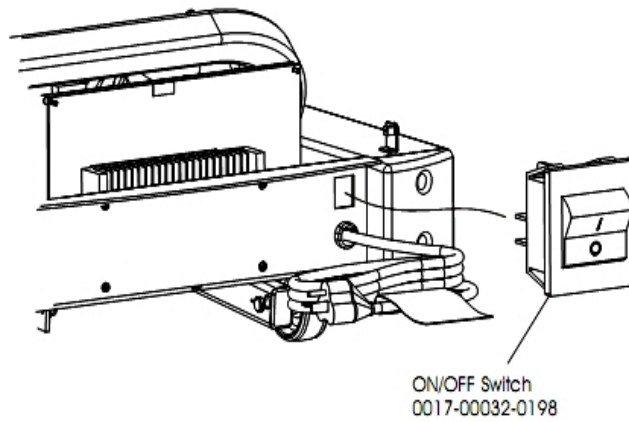
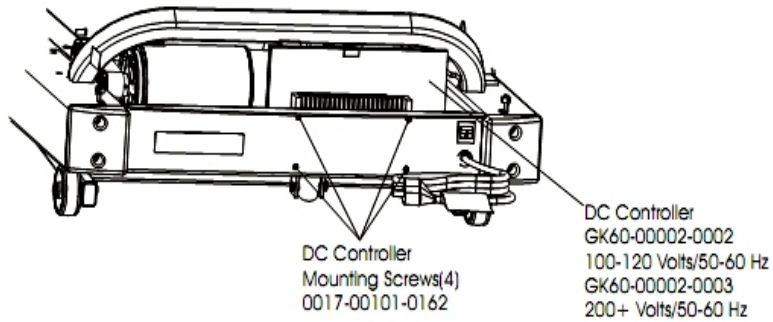
Ref #	Part Number	Qty	Description
-	OK60-01041-0004	1	Right Wire Cover
-	OK60-01072-0001	1	Console Rear Case
-	OK60-01176-0000	1	Rear Decal
-	0017-00101-1288	9	Hardware: Phillips Screw 0.5"
-	OK60-01041-0003	1	Left Wire Cover

Console Assembly 3



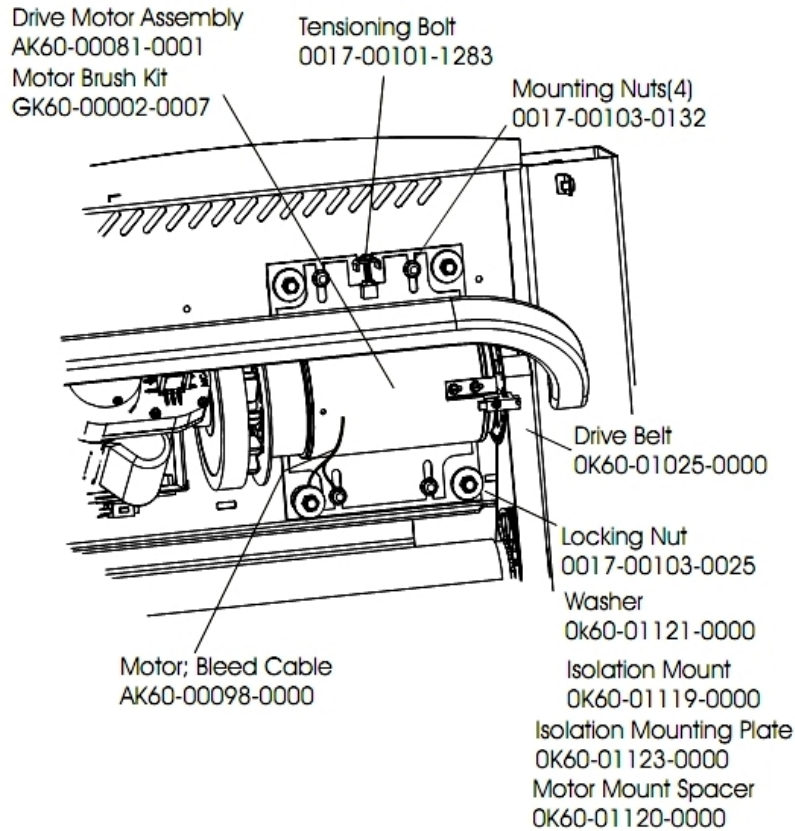
Ref #	Part Number	Qty	Description
-	0017-00101-0969	1	Hardware: Phillips Screw
-	OK36-01060-0000	1	Side Foam
-	AK60-00043-0000	1	Polar E-Stop Cable
-	AK58-00036-0000	1	Cable-Assembly: Emergency-Stop Switch
-	SK40-00045-0001	1	Polar HR Kit
-	OK36-01059-0002	1	Insulator Receiver Tube
-	A084-92228-A001	1	Console PCB
-	0017-00101-1275	5	Hardware: Phillips Screw 0.375"
-	OK36-01059-0001	1	Isolator Receiver Cube

Dc Controller And On/Off Switch



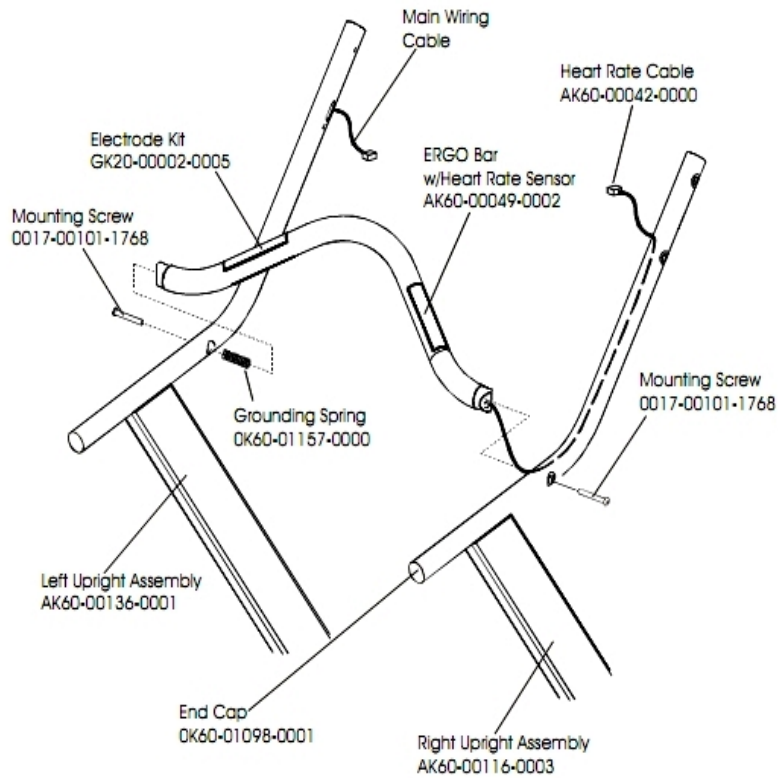
Ref #	Part Number	Qty	Description
-	GK60-00002-0003	1	DC Controller 200+ Volts/50-60 Hz
-	0017-00032-0198	1	On/Off Switch 22A
-	0017-00101-0162	4	Hardware: Screw 0.375"

Drive Motor Assembly



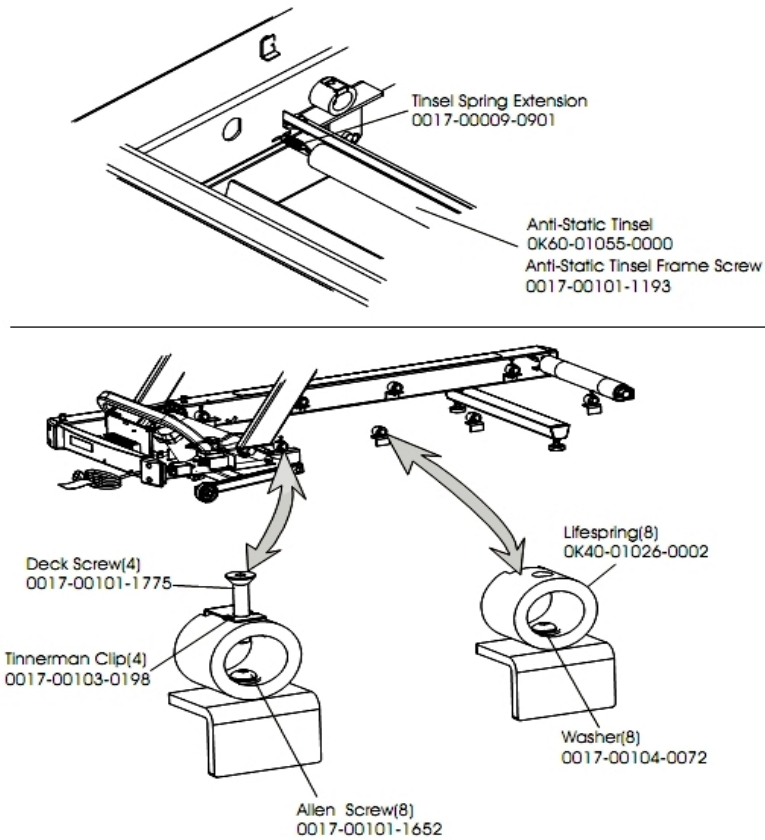
Ref #	Part Number	Qty	Description
-	GK60-00002-0015	1	Kit: Activate Treadmill Belt And Pulley
-	OK60-01123-0000	1	Isolation Mounting Plate
-	AK60-00081-0001	1	Drive Motor Assembly
-	GK60-00002-0007	1	Motor Brush Kit
-	0017-00103-0025	1	Hardware: Locking Nut 3/8" ID
-	0017-00103-0132	4	Hardware: Mounting Nut
-	OK60-01120-0000	1	Motor Mount Spacer
-	AK60-00098-0000	1	Current Limit Wires
-	OK60-01121-0000	1	Hardware: Washer
-	OK60-01119-0000	1	Isolator Mount
-	0017-00101-1283	1	Hardware: Tensioning Bolt

Ergo Bar And Upright Assembly



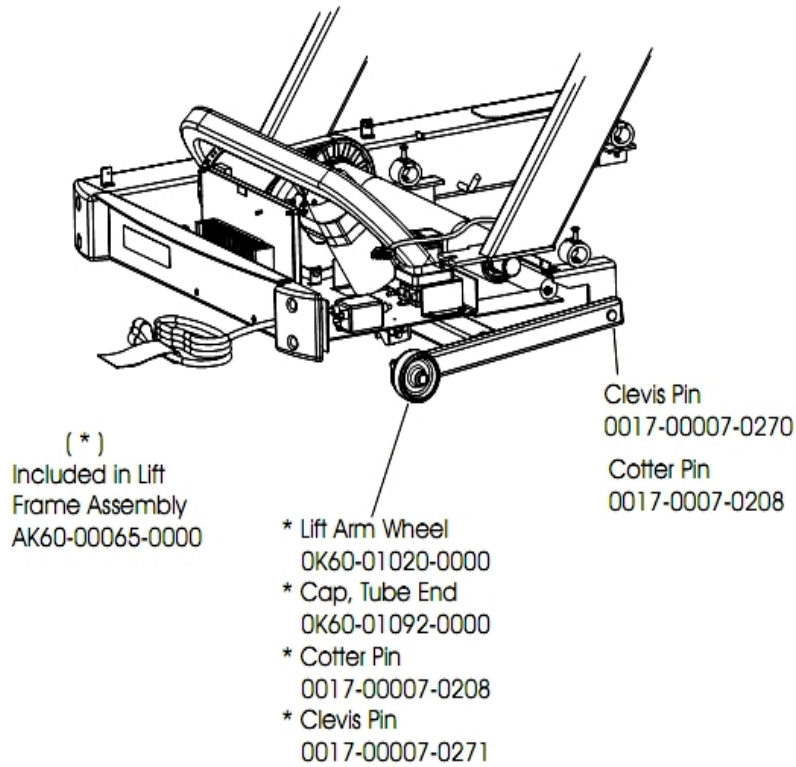
Ref #	Part Number	Qty	Description
-	GK20-00002-0005	1	Heart Rate Electrode Kit
-	OK60-01157-0000	1	Grounding Spring
-	AK60-00049-0002	1	ERGO Bar with Heart Rate Sensor
-	OK60-01098-0001	4	End Cap
-	0017-00101-1768	2	Hardware: Mounting Screw
-	AK60-00042-0000	1	Heart Rate Cable
-	AK60-00136-0001	1	Upright Assembly: Left
-	AK60-00116-0003	1	Upright Assembly: Right

Lifesprings And Anti-Static Tinsel



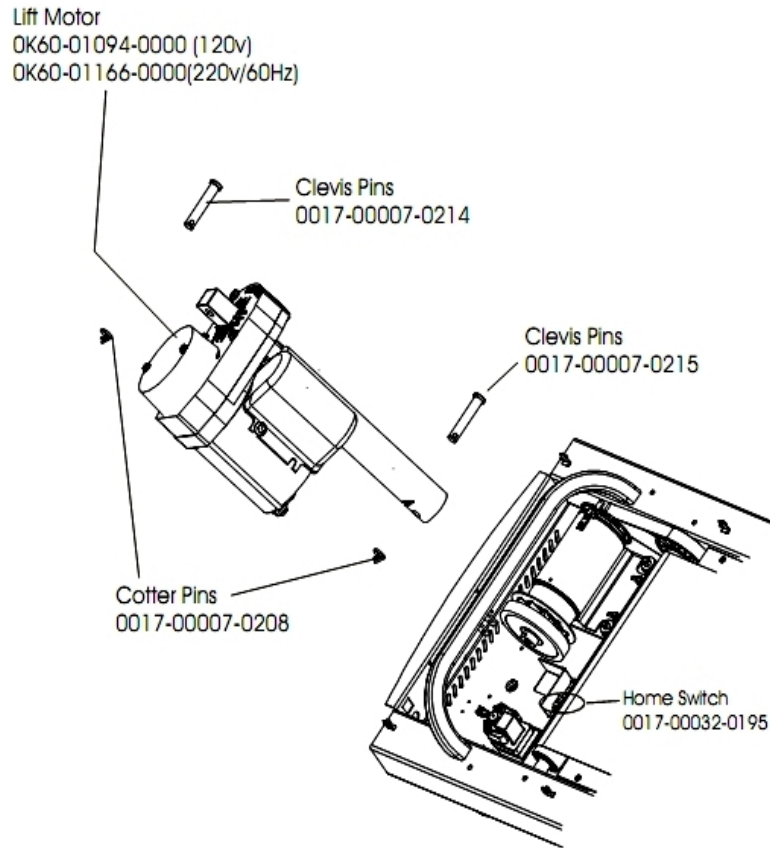
Ref #	Part Number	Qty	Description
-	0017-00103-0198	4	Hardware: Tinnerman Clip 1/4" ID
-	0017-00104-0072	8	Hardware: Flat Washer 0.562" OD
-	OK40-01026-0002	8	Deck Spring
-	0017-00101-1652	8	Hardware: Spring Mounting Screw 1"
-	0017-00101-1193	1	Hardware: Screw 0.375"
-	0017-00101-1775	4	Hardware: Deck Screws 1.25"
-	0017-00009-0901	1	Tinsel Extension Spring
-	OK60-01055-0000	1	Anti-Static Tinsel

Lift Frame Assembly



Ref #	Part Number	Qty	Description
-	OK60-01020-0000	2	Wheel
-	0017-00007-0208	2	Hardware: Cotter Pin
-	0017-00007-0270	2	Hardware: Clevis Pin - 1/2" D 1.5" L
-	AK60-00065-0000	1	Lift Frame Assembly
-	0017-00007-0271	2	Hardware: Clevis Pin - 1/2" D 2.75" L
-	6836601	2	Cap, End 1 X 1-1/2 11 GA

Lift Motor And Home Switch

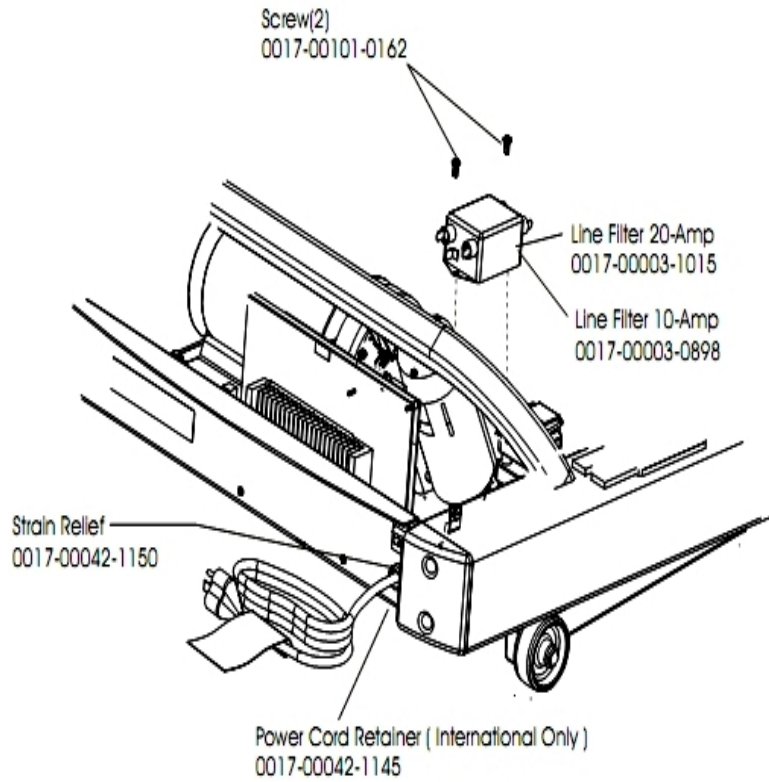


Ref #	Part Number	Qty	Description
-	0017-00007-0214	1	Hardware: Clevis Pin 3/8" D 1.75" L
-	OK60-01166-0000	1	Lift Motor (220v)
-	0017-00032-0195	1	Home Switch
-	0017-00007-0208	2	Hardware: Cotter Pin
-	0017-00007-0215	1	Hardware: Clevis Pin - 3/8" D 2.25" L

Line Cords And Line Cord Options

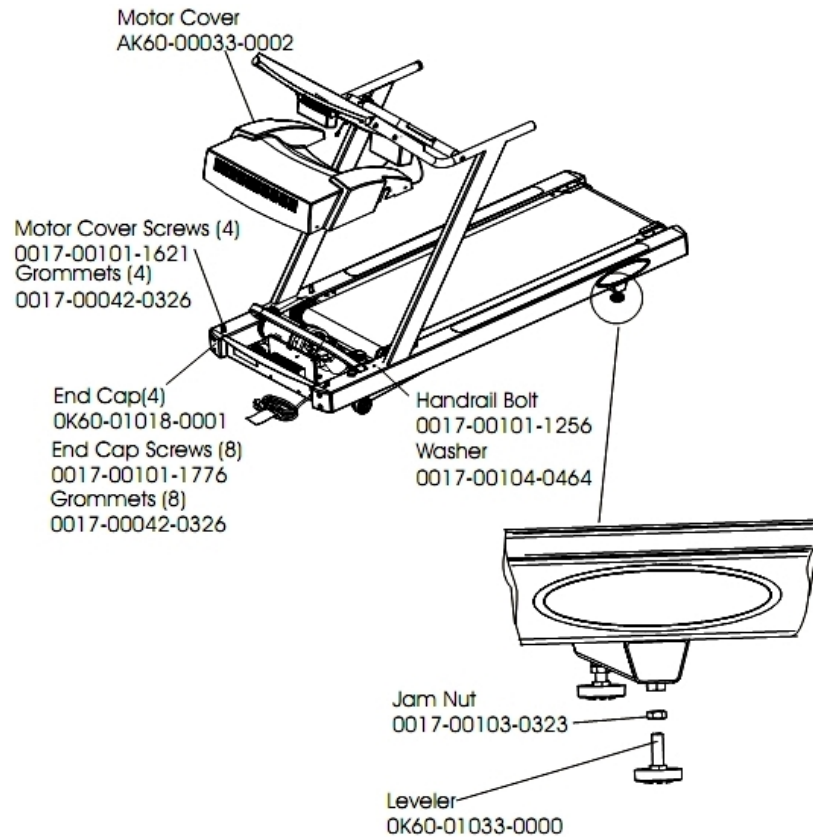
Ref #	Part Number	Qty	Description
-	0017-00003-0696	1	Line Cord: International High Voltage (Cont.) 103"
-	0017-00003-0981	1	LINE-CORD: R/A; with PLUG 220/60 7.5'
-	0017-00003-0890	1	Line Cord: UK
-	0017-00003-0951	1	Line Cord 220v/60Hz U.S.

Line Filter



Ref #	Part Number	Qty	Description
-	0017-00003-0898	1	10 amp Line Filter (INT)
-	0017-00003-1015	1	20 amp Line Filter (DOM)
-	0017-00101-0162	2	Hardware: Screw 0.375"
-	0017-00042-1145	1	Power Cord Retainer
-	0017-00042-1150	1	Strain Relief

Motor Cover, Leveler And End Caps

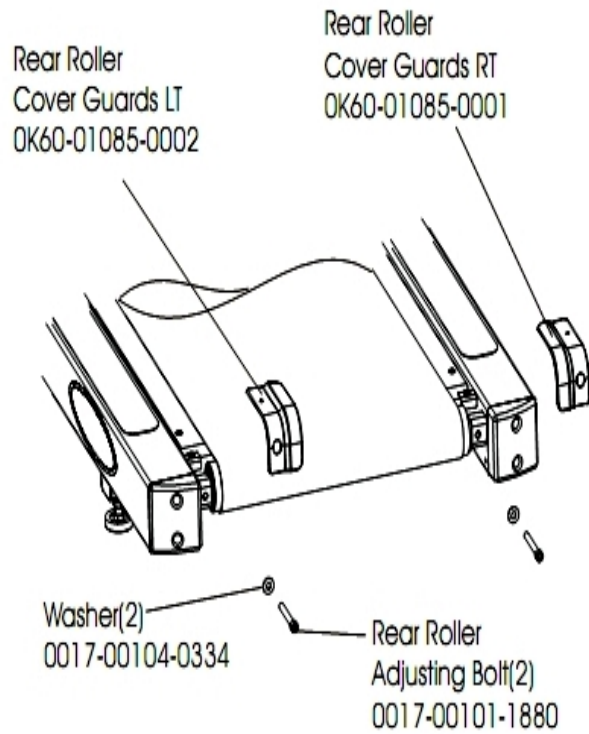


Ref #	Part Number	Qty	Description
-	0017-00101-1256	2	Hardware: Mounting Bolt 5"
-	0017-00101-1621	4	Hardware: Phillips Screw 0.5"
-	OK60-01018-0001	4	End Cap
-	0017-00104-0464	2	Hardware: Flat Washer 0.734" OD
-	0017-00103-0323	2	Hardware: Nut 1/2" ID
-	OK60-01033-0000	2	Leg Leveler
-	0017-00042-0326	12	Hardware: Plastic Grommet
-	AK60-00033-0002	1	Motor Cover
-	0017-00101-1776	8	Hardware: Mounting Screw 0.5"

References

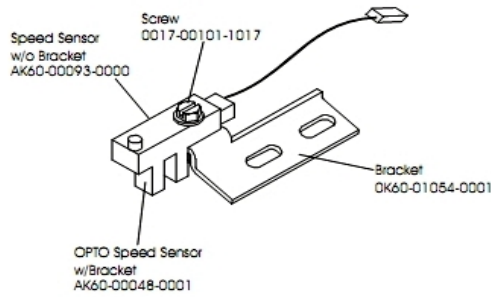
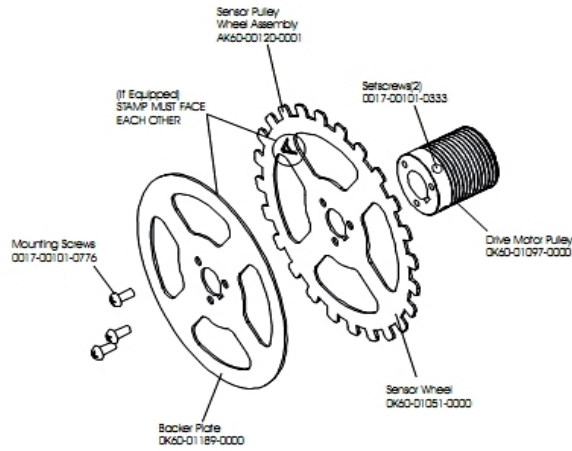
Ref #	Part Number	Qty	Description
-	0017-00008-0206	1	.33oz Pen - Arctic Silver
-	0017-00101-1776	10	Hardware: Mounting Screw 0.5"
-	0017-00101-1768	2	Hardware: Mounting Screw
-	0K60-01157-0000	1	Grounding Spring
-	0017-00008-0204	1	Paint Spray Can - Arctic Silver
-	AK32-00078-0001	1	Power Extension Cable: 120"
-	0017-00008-0205	1	5 oz Bottle - Arctic Silver
-	0017-00104-0464	4	Hardware: Flat Washer 0.734" OD
-	0K60-01098-0001	4	End Cap
-	0017-00101-1256	4	Hardware: Mounting Bolt 5"
-	0017-00042-1151	5	Push Rivets
-	AK60-00162-0000	1	Hardware Bag
-	0017-00021-2846	1	F-Type Panel Connector
-	AK32-00020-0002	1	Coax Cable: 120"
-	0017-00103-0188	4	Hardware: Flange Lock Nut 3/8" ID
-	0017-00101-1767	4	Hardware: Mounting Screws(4)

Roller Guard Assembly



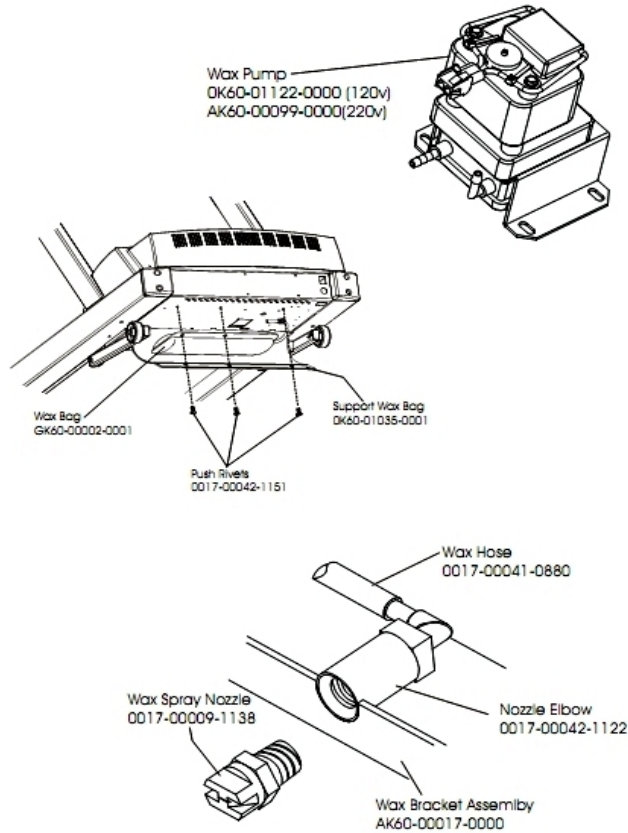
Ref #	Part Number	Qty	Description
-	OK60-01085-0001	1	Roller Guard: Right
-	0017-00104-0334	2	Hardware: Flat Washers 0.880" OD
-	OK60-01085-0002	1	Roller Guard: Left
-	0017-00101-1880	2	Hardware: Tension Bolts 3"

Sensors



Ref #	Part Number	Qty	Description
-	0017-00101-1017	1	Hardware: Leg Cover Screws
-	AK60-00093-0000	1	Speed Sensor without Bracket
-	OK60-01097-0000	1	Drive Motor Pulley
-	OK60-01054-0001	1	Bracket
-	OK60-01051-0000	1	Sensor Wheel
-	AK60-00048-0001	1	OPTO Speed Sensor with Bracket
-	AK60-00120-0001	1	Chopper Pulley Wheel Assembly
-	0017-00101-0776	3	Hardware: Mounting Screws
-	OK60-01189-0000	1	Backer Plate
-	0017-00101-0333	2	Hardware: Screw 0.3125"

Wax Pump, Bag, Nozzle And Bracket



Ref #	Part Number	Qty	Description
-	GK60-00002-0001	1	Wax Bag
-	AK60-00017-0000	1	Wax Nozzle Assembly
-	OK60-01035-0001	1	Support Wax Bag
-	AK60-00099-0000	1	Wax Motor: 220V
-	0017-00042-1151	3	Push Rivets
-	0017-00009-1138	1	Wax Spray Nozzle
-	0017-00042-1122	1	Nozzle Elbow
-	0017-00041-0880	1	Wax Hose

