

# 91Ti Treadmill - 3HP DC - Heart Rate

91T-0102-04

## Parts Manual

1/5/2019 6:58:15 AM



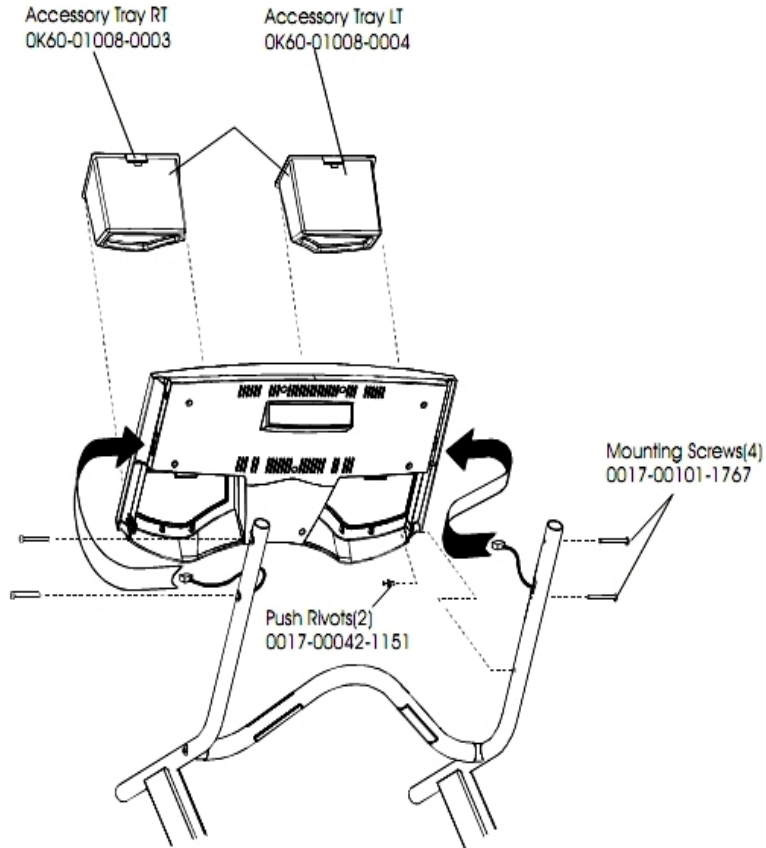
**LifeFitness**  
WHAT WE LIVE FOR

## Table of Contents

---

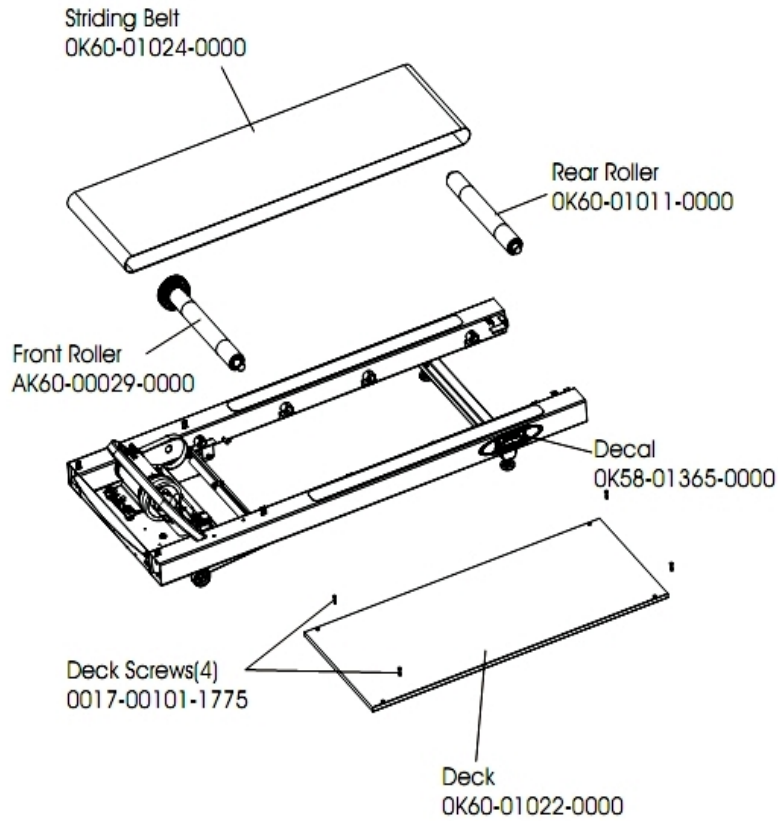
<a href="#">Accessory Trays</a> .....	3
<a href="#">Belt, Deck And Rollers</a> .....	4
<a href="#">Cables</a> .....	5
<a href="#">Console Assembly 1</a> .....	6
<a href="#">Console Assembly 2</a> .....	7
<a href="#">Console Assembly 3</a> .....	8
<a href="#">Dc Controller And On/Off Switch</a> .....	9
<a href="#">Drive Motor Assembly</a> .....	10
<a href="#">Ergo Bar And Upright Assembly</a> .....	11
<a href="#">Lifesprings And Anti-Static Tinsel</a> .....	12
<a href="#">Lift Frame Assembly</a> .....	13
<a href="#">Lift Motor And Home Switch</a> .....	14
<a href="#">Line Cords And Line Cord Options</a> .....	15
<a href="#">Line Filter</a> .....	16
<a href="#">Motor Cover, Leveler And End Caps</a> .....	17
<a href="#">References</a> .....	18
<a href="#">Roller Guard Assembly</a> .....	19
<a href="#">Sensors</a> .....	20
<a href="#">Wax Pump, Bag, Nozzle And Bracket</a> .....	21

## Accessory Trays



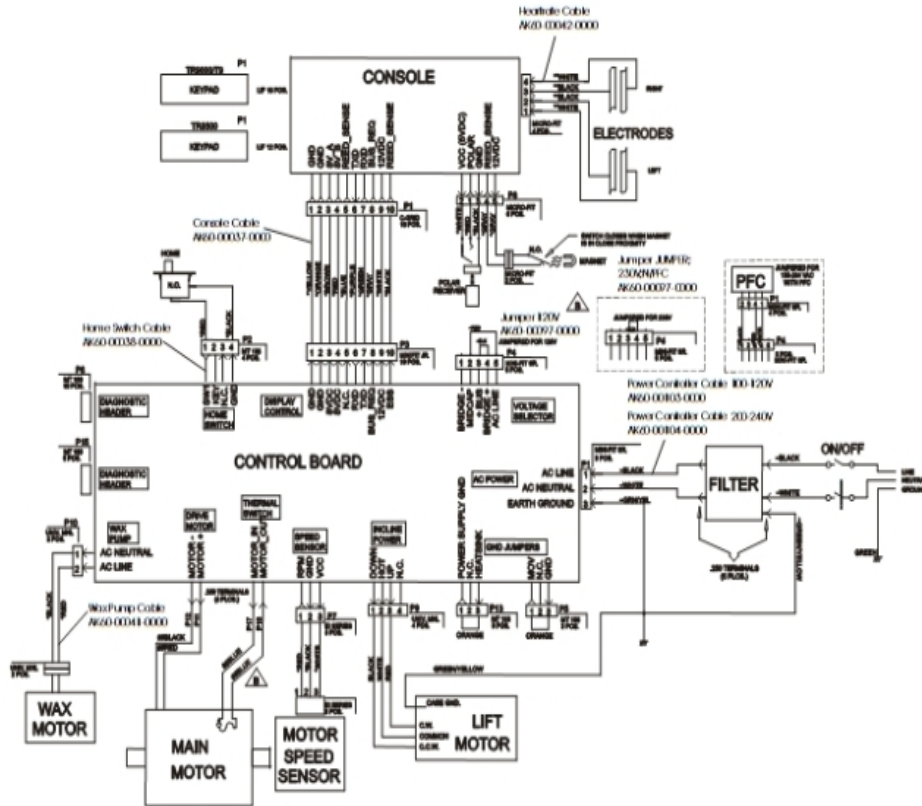
Ref #	Part Number	Qty	Description
-	0017-00042-1151	4	Push Rivets
-	0017-00101-1767	8	Hardware: Mounting Screws(4)
-	0K60-01008-0003	2	Accessory Tray Right
-	0K60-01008-0004	2	Accessory Tray Left

## Belt, Deck And Rollers



Ref #	Part Number	Qty	Description
-	0017-00101-1775	8	Hardware: Deck Screws 1.25"
-	OK60-01022-0000	2	Deck
-	OK58-01365-0000	2	Decal
-	AK60-00029-0000	2	Front Roller Assembly
-	OK60-01011-0000	2	Rear Roller
-	OK60-01024-0000	2	Striding Belt

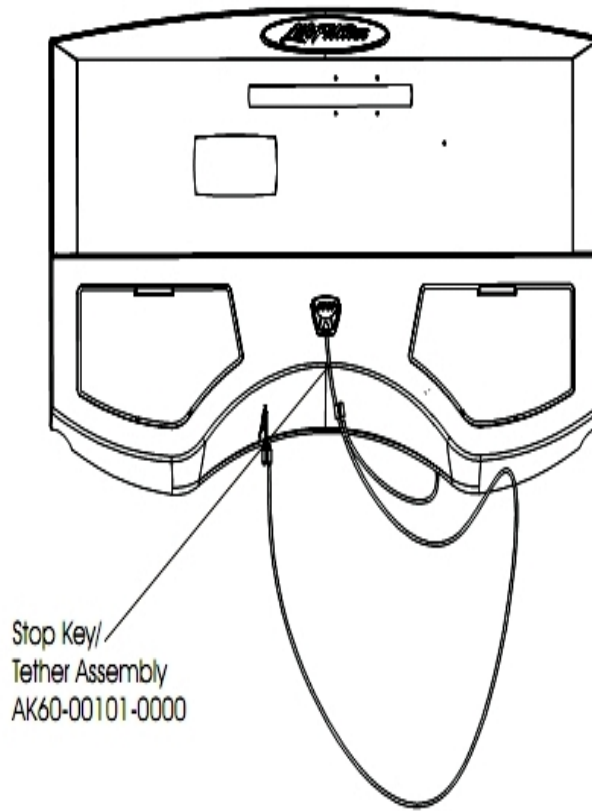
### Cables



Ref #	Part Number	Qty	Description
-	AK60-00038-0000	2	Home Switch Cable
-	AK60-00104-0000	2	Power Controller Cable: 220V
-	AK60-00042-0000	2	Heart Rate Cable
-	AK60-00097-0000	2	Jumper: 120V
-	AK60-00041-0000	2	Wax Pump Cable
-	AK60-00037-0000	2	Console Cable

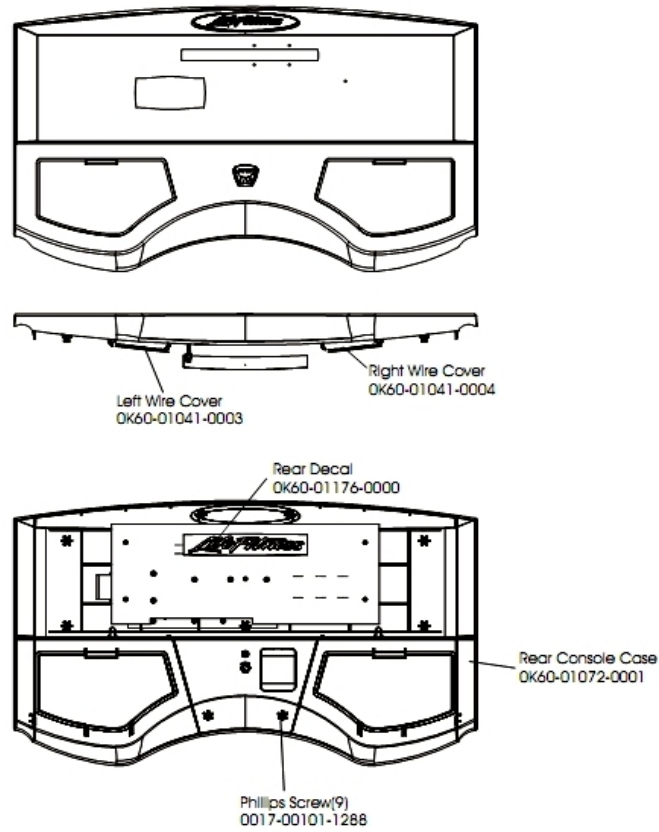
## Console Assembly 1

---



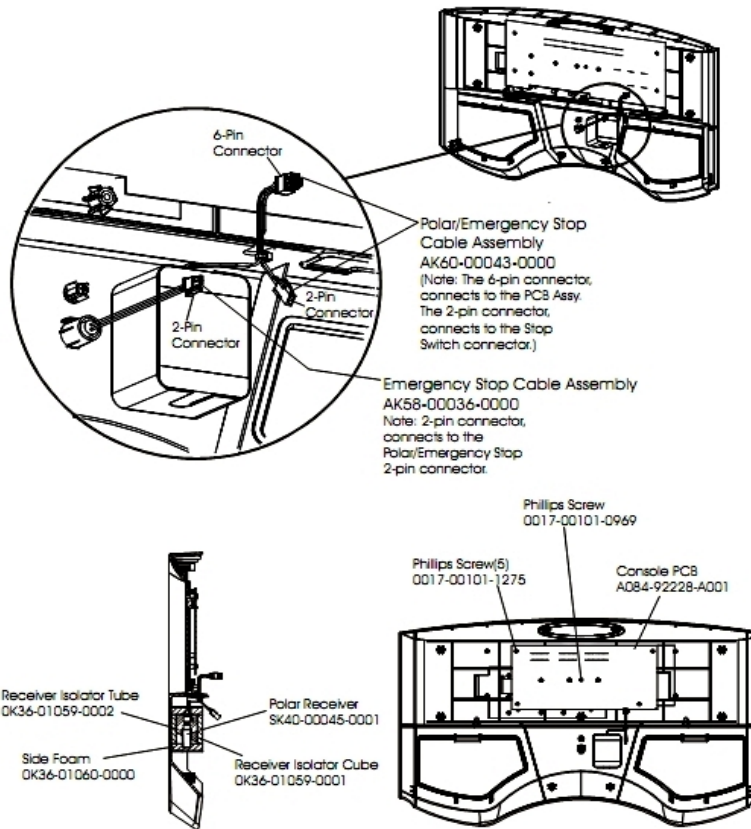
Ref #	Part Number	Qty	Description
-	AK60-00111-0001	2	Console: English/English
-	AK60-00101-0000	2	Stop Key Tether Assembly
-	AK60-00108-0001	2	Overlay/Bezel: English/Metric

## Console Assembly 2



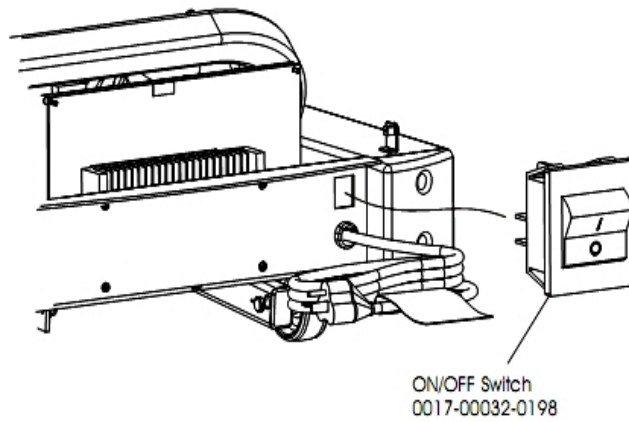
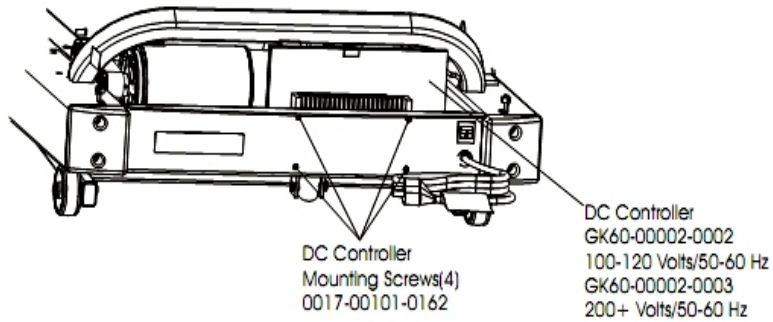
Ref #	Part Number	Qty	Description
-	OK60-01041-0004	2	Right Wire Cover
-	OK60-01072-0001	2	Console Rear Case
-	OK60-01176-0000	2	Rear Decal
-	0017-00101-1288	18	Hardware: Phillips Screw 0.5"
-	OK60-01041-0003	2	Left Wire Cover

## Console Assembly 3



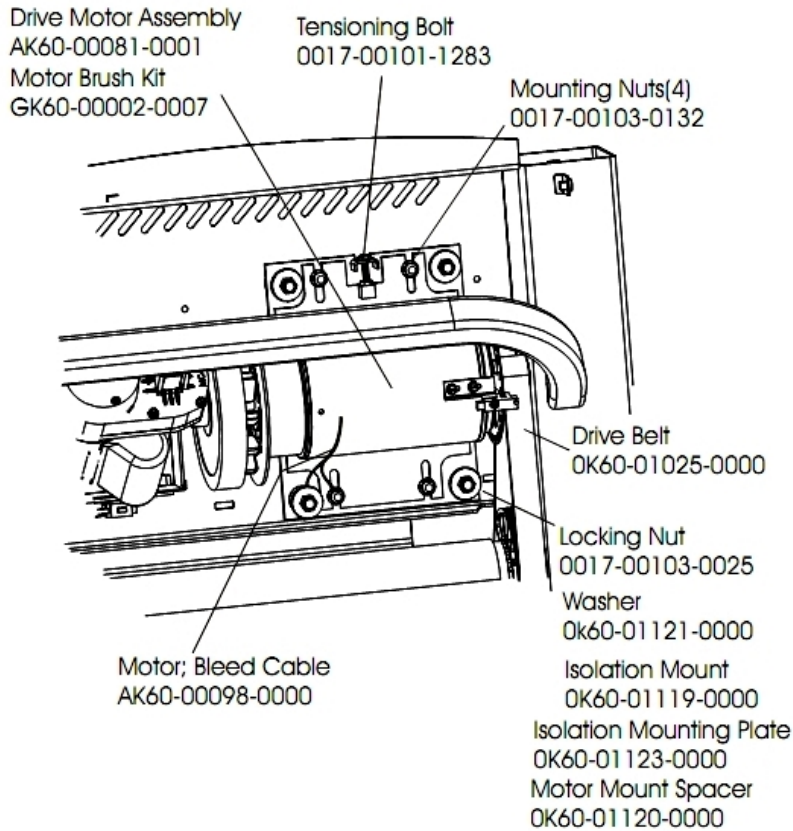
Ref #	Part Number	Qty	Description
-	0017-00101-0969	2	Hardware: Phillips Screw
-	OK36-01060-0000	2	Side Foam
-	AK60-00043-0000	2	Polar E-Stop Cable
-	AK58-00036-0000	2	Cable-Assembly: Emergency-Stop Switch
-	SK40-00045-0001	2	Polar HR Kit
-	OK36-01059-0002	2	Insulator Receiver Tube
-	A084-92228-A001	2	Console PCB
-	0017-00101-1275	10	Hardware: Phillips Screw 0.375"
-	OK36-01059-0001	2	Isolator Receiver Cube

## Dc Controller And On/Off Switch



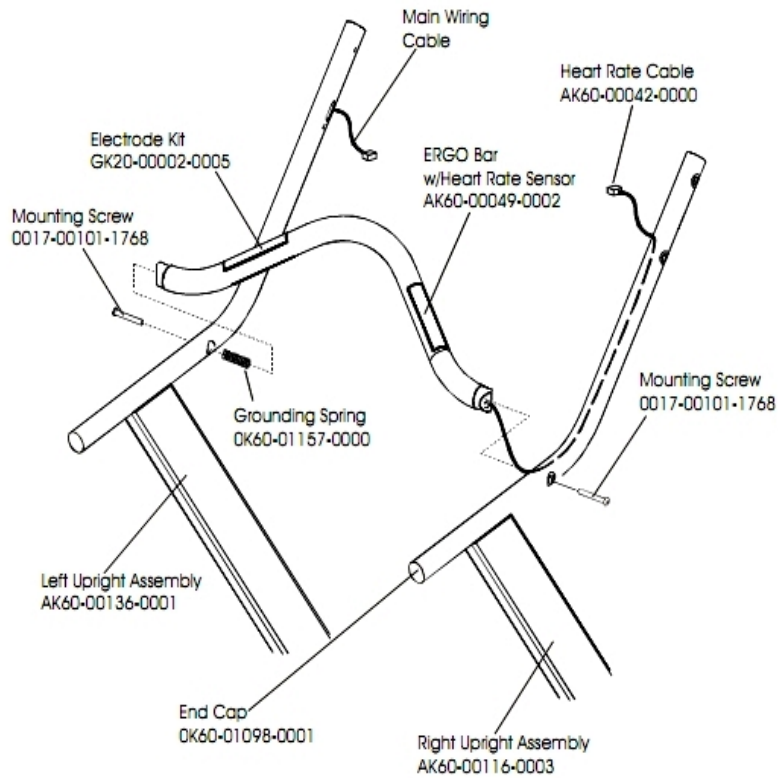
Ref #	Part Number	Qty	Description
-	GK60-00002-0003	2	DC Controller 200+ Volts/50-60 Hz
-	0017-00032-0198	2	On/Off Switch 22A
-	0017-00101-0162	8	Hardware: Screw 0.375"

## Drive Motor Assembly



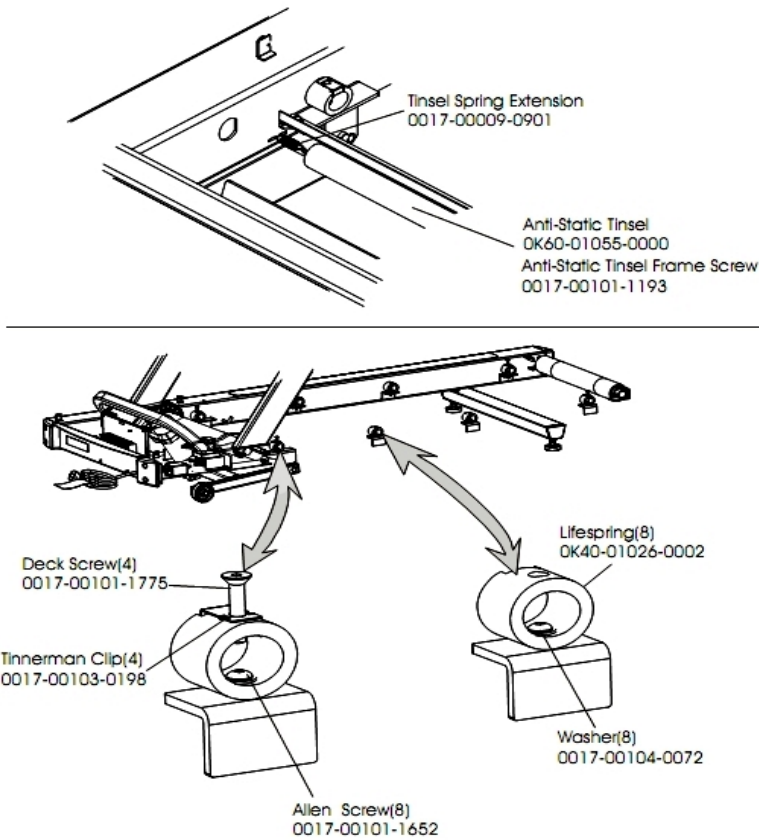
Ref #	Part Number	Qty	Description
-	GK60-00002-0015	2	Kit: Activate Treadmill Belt And Pulley
-	OK60-01123-0000	2	Isolation Mounting Plate
-	AK60-00081-0001	2	Drive Motor Assembly
-	GK60-00002-0007	2	Motor Brush Kit
-	0017-00103-0025	2	Hardware: Locking Nut 3/8" ID
-	0017-00103-0132	8	Hardware: Mounting Nut
-	OK60-01120-0000	2	Motor Mount Spacer
-	AK60-00098-0000	2	Current Limit Wires
-	OK60-01121-0000	2	Hardware: Washer
-	OK60-01119-0000	2	Isolator Mount
-	0017-00101-1283	2	Hardware: Tensioning Bolt

## Ergo Bar And Upright Assembly



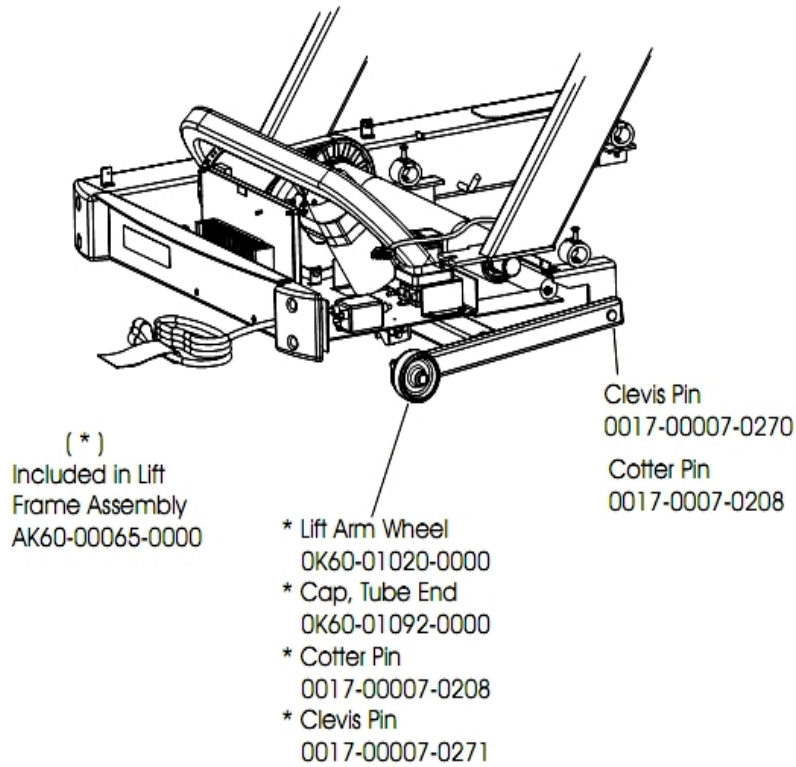
Ref #	Part Number	Qty	Description
-	GK20-00002-0005	2	Heart Rate Electrode Kit
-	OK60-01157-0000	2	Grounding Spring
-	AK60-00049-0002	2	ERGO Bar with Heart Rate Sensor
-	OK60-01098-0001	8	End Cap
-	0017-00101-1768	4	Hardware: Mounting Screw
-	AK60-00042-0000	2	Heart Rate Cable
-	AK60-00136-0001	2	Upright Assembly: Left
-	AK60-00116-0003	2	Upright Assembly: Right

## Lifesprings And Anti-Static Tinsel



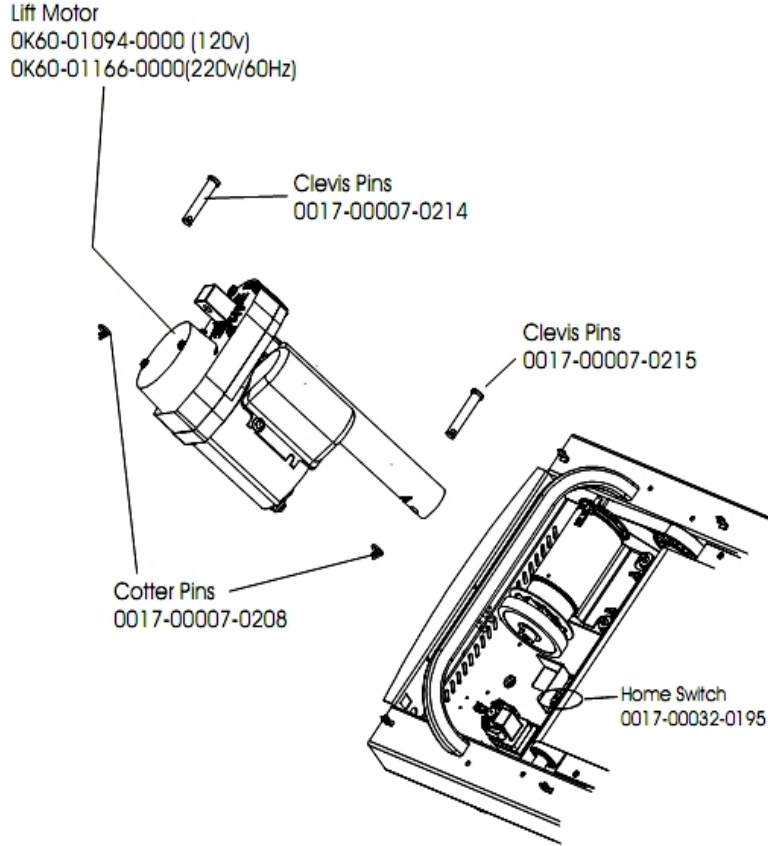
Ref #	Part Number	Qty	Description
-	0017-00103-0198	8	Hardware: Tinnerman Clip 1/4" ID
-	0017-00009-0901	2	Tinsel Extension Spring
-	OK40-01026-0002	16	Deck Spring
-	0017-00101-1775	8	Hardware: Deck Screws 1.25"
-	0017-00101-1652	16	Hardware: Spring Mounting Screw 1"
-	0017-00101-1193	2	Hardware: Screw 0.375"
-	OK60-01055-0000	2	Anti-Static Tinsel
-	0017-00104-0072	16	Hardware: Flat Washer 0.562" OD

# Lift Frame Assembly



Ref #	Part Number	Qty	Description
-	6836601	4	Cap, End 1 X 1-1/2 11 GA
-	OK60-01020-0000	4	Wheel
-	0017-00007-0270	4	Hardware: Clevis Pin - 1/2" D 1.5" L
-	0017-00007-0208	4	Hardware: Cotter Pin
-	0017-00007-0271	4	Hardware: Clevis Pin - 1/2" D 2.75" L
-	AK60-00065-0000	2	Lift Frame Assembly

## Lift Motor And Home Switch



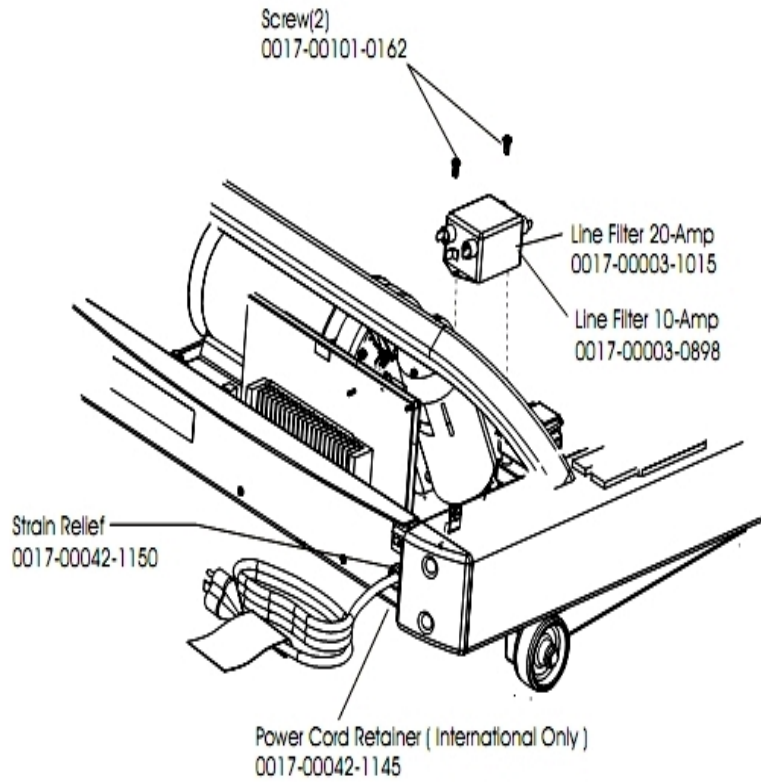
Ref #	Part Number	Qty	Description
-	OK60-01166-0000	2	Lift Motor (220v)
-	0017-00007-0214	2	Hardware: Clevis Pin 3/8" D 1.75" L
-	0017-00007-0215	2	Hardware: Clevis Pin - 3/8" D 2.25" L
-	0017-00007-0208	4	Hardware: Cotter Pin
-	0017-00032-0195	2	Home Switch

## Line Cords And Line Cord Options

---

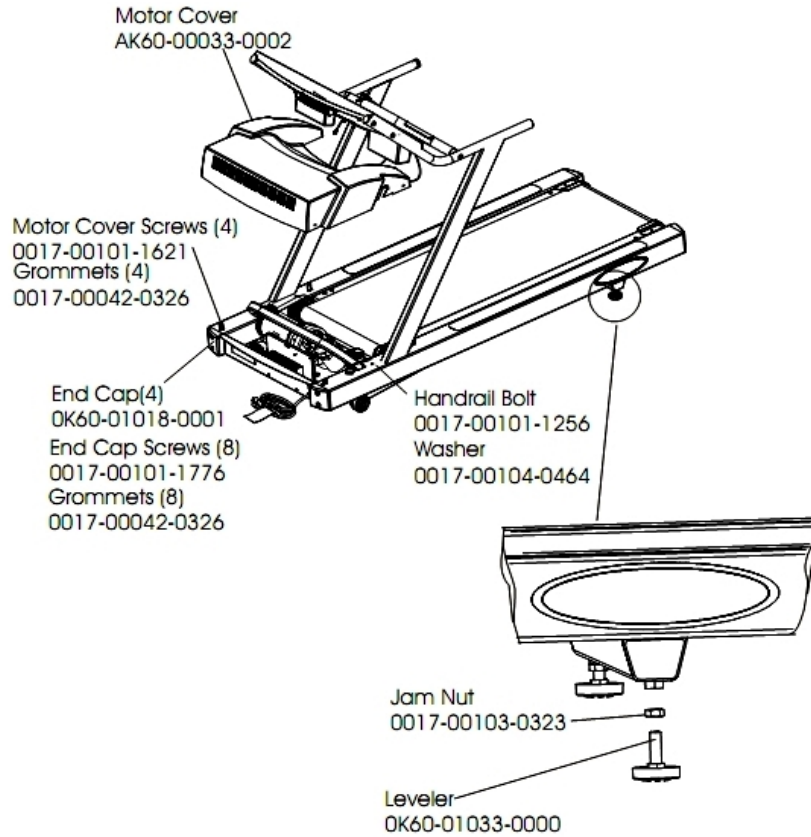
Ref #	Part Number	Qty	Description
-	0017-00003-0948	2	12' 220v Line Cord
-	0017-00003-0951	2	Line Cord 220v/60Hz U.S.
-	0017-00003-0890	2	Line Cord: UK
-	0017-00003-0696	2	Line Cord: International High Voltage (Cont.) 103"
-	0017-00003-0996	1	Line Cord: Australia 230/50
-	0017-00003-0981	2	LINE-CORD: R/A; with PLUG 220/60 7.5'

## Line Filter



Ref #	Part Number	Qty	Description
-	0017-00101-0162	4	Hardware: Screw 0.375"
-	0017-00003-0898	2	10 amp Line Filter (INT)
-	0017-00042-1150	2	Strain Relief
-	0017-00042-1145	2	Power Cord Retainer
-	0017-00003-1015	2	20 amp Line Filter (DOM)

## Motor Cover, Leveler And End Caps



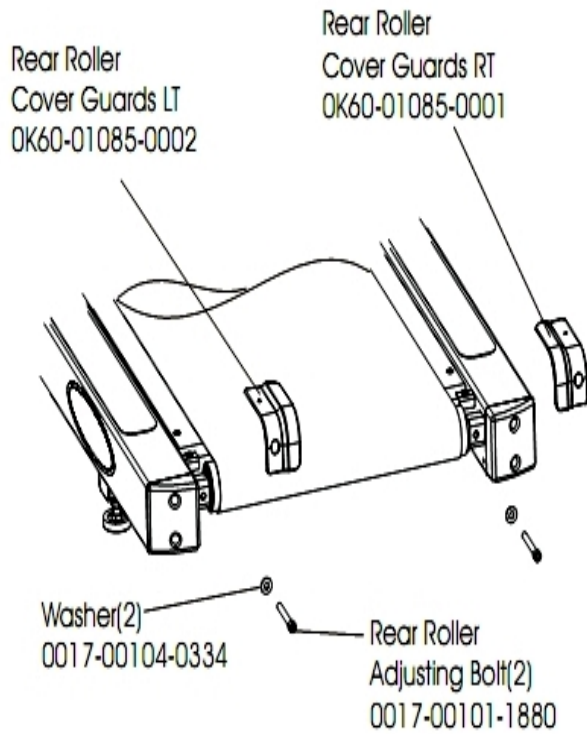
Ref #	Part Number	Qty	Description
-	0017-00104-0464	4	Hardware: Flat Washer 0.734" OD
-	AK60-00033-0002	2	Motor Cover
-	0017-00101-1621	8	Hardware: Phillips Screw 0.5"
-	0017-00101-1776	16	Hardware: Mounting Screw 0.5"
-	OK60-01033-0000	4	Leg Leveler
-	0017-00042-0326	24	Hardware: Plastic Grommet
-	OK60-01018-0001	8	End Cap
-	0017-00103-0323	4	Hardware: Nut 1/2" ID
-	0017-00101-1256	4	Hardware: Mounting Bolt 5"

## References

---

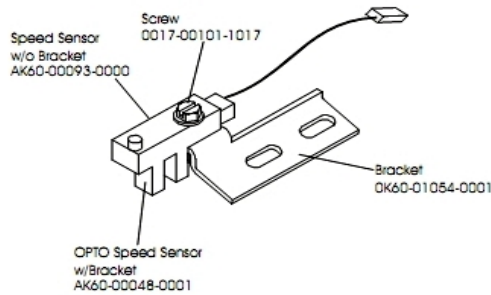
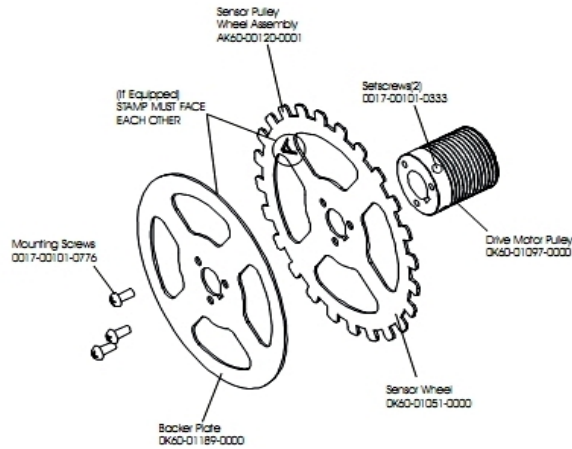
Ref #	Part Number	Qty	Description
-	0017-00103-0188	8	Hardware: Flange Lock Nut 3/8" ID
-	0017-00104-0464	8	Hardware: Flat Washer 0.734" OD
-	AK60-00162-0000	2	Hardware Bag
-	OK60-01157-0000	2	Grounding Spring
-	AK32-00020-0002	2	Coax Cable: 120"
-	0017-00101-1767	8	Hardware: Mounting Screws(4)
-	0017-00008-0205	2	5 oz Bottle - Arctic Silver
-	AK32-00078-0001	2	Power Extension Cable: 120"
-	0017-00008-0204	2	Paint Spray Can - Arctic Silver
-	0017-00101-1776	20	Hardware: Mounting Screw 0.5"
-	OK60-01098-0001	8	End Cap
-	0017-00021-2846	2	F-Type Panel Connector
-	0017-00042-1151	10	Push Rivets
-	0017-00101-1768	4	Hardware: Mounting Screw
-	0017-00101-1256	8	Hardware: Mounting Bolt 5"
-	0017-00008-0206	2	.33oz Pen - Arctic Silver

## Roller Guard Assembly



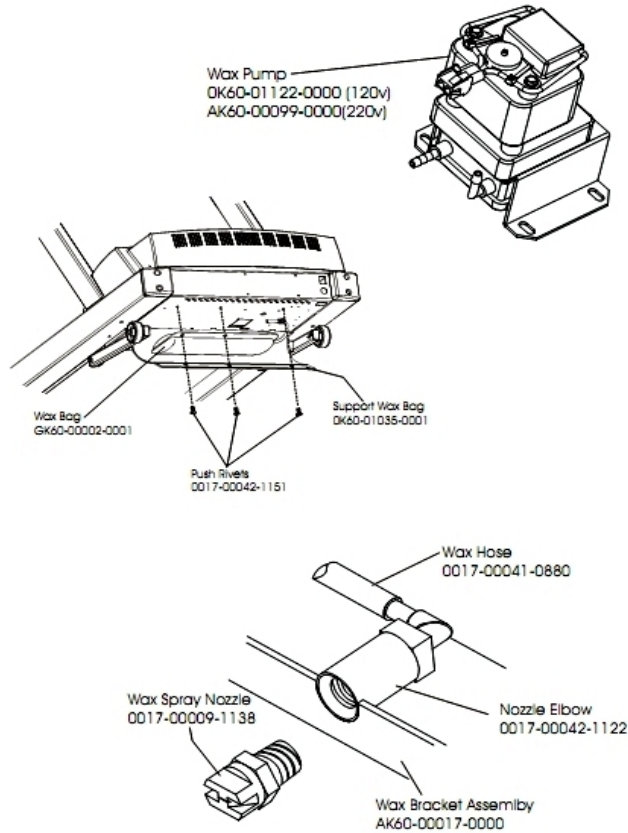
Ref #	Part Number	Qty	Description
-	0017-00104-0334	4	Hardware: Flat Washers 0.880" OD
-	0017-00101-1880	4	Hardware: Tension Bolts 3"
-	OK60-01085-0001	2	Roller Guard: Right
-	OK60-01085-0002	2	Roller Guard: Left

## Sensors



Ref #	Part Number	Qty	Description
-	0017-00101-1017	2	Hardware: Leg Cover Screws
-	AK60-00093-0000	2	Speed Sensor without Bracket
-	OK60-01097-0000	2	Drive Motor Pulley
-	OK60-01054-0001	2	Bracket
-	OK60-01051-0000	2	Sensor Wheel
-	AK60-00048-0001	2	OPTO Speed Sensor with Bracket
-	AK60-00120-0001	2	Chopper Pulley Wheel Assembly
-	0017-00101-0776	6	Hardware: Mounting Screws
-	OK60-01189-0000	2	Backer Plate
-	0017-00101-0333	4	Hardware: Screw 0.3125"

## Wax Pump, Bag, Nozzle And Bracket



Ref #	Part Number	Qty	Description
-	GK60-00002-0001	2	Wax Bag
-	AK60-00017-0000	2	Wax Nozzle Assembly
-	OK60-01035-0001	2	Support Wax Bag
-	AK60-00099-0000	2	Wax Motor: 220V
-	0017-00042-1151	6	Push Rivets
-	0017-00009-1138	2	Wax Spray Nozzle
-	0017-00042-1122	2	Nozzle Elbow
-	0017-00041-0880	2	Wax Hose

