

91Ti Treadmill - 3HP DC - Lifepulse - Arctric Silver

91T-0103-02

Parts Manual

1/5/2019 6:58:16 AM

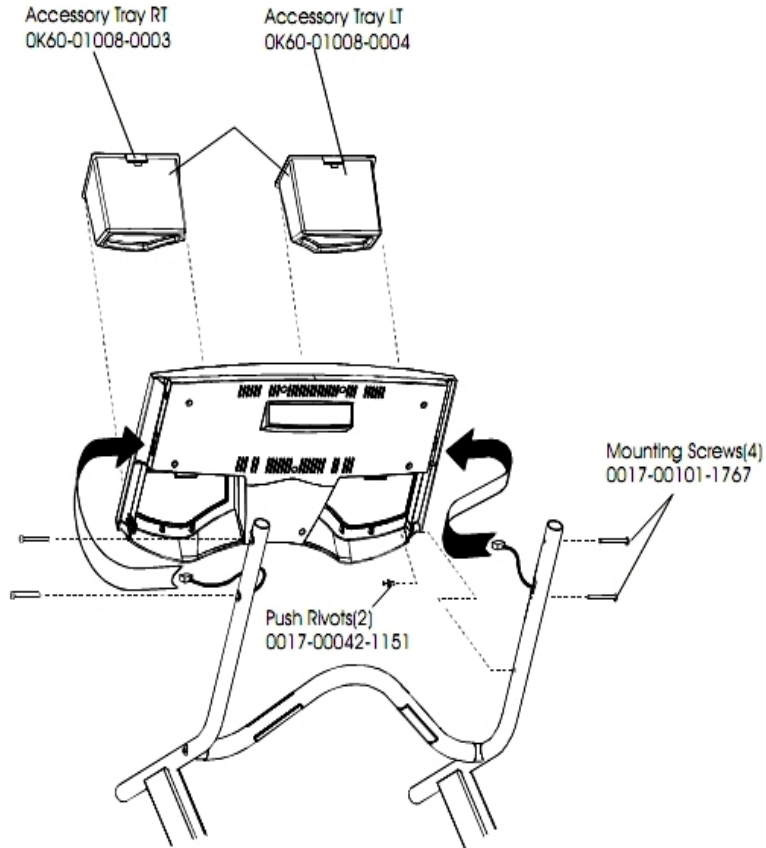


Lifefitness
WHAT WE LIVE FOR

Table of Contents

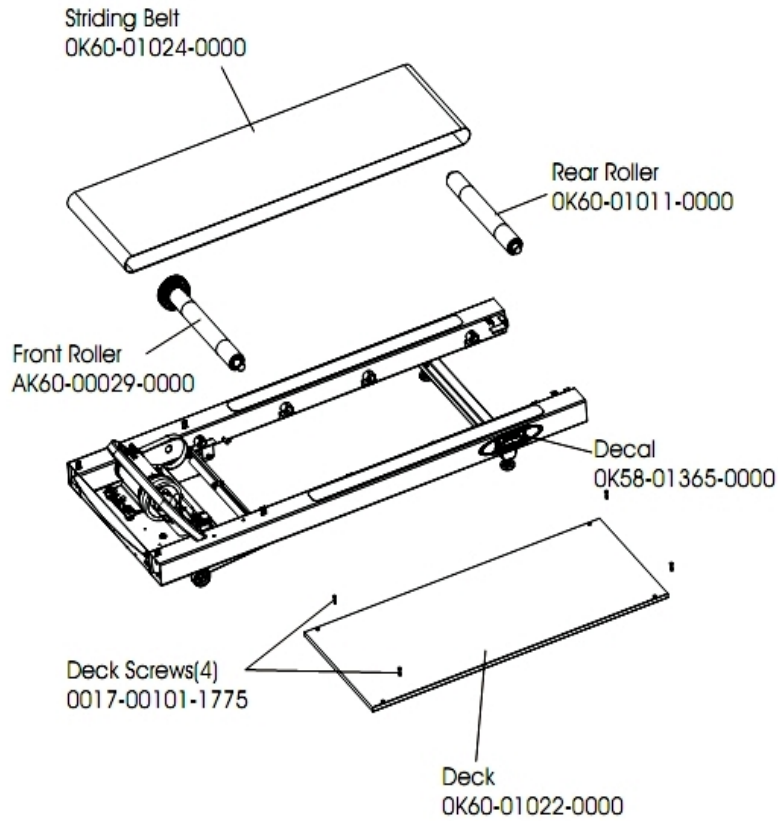
Accessory Trays	3
Belt, Deck and Rear Rollers	4
Cables	5
Console Assembly 1	6
Console Assembly 2	7
Console Assembly 3	8
Drive Motor Assembly	9
DC Controller and On/Off Switch	10
Ergo Bar and Upright Assembly	11
Lifesprings and Anti-Static Tinsel	12
Lift Frame Assembly	13
Lift Motor and Home Switch	14
Line Cord and Line Filter	15
Miscellaneous	16
Motor Cover, Leveler and End Caps	17
Rear Roller Guards	18
Sensors	19
Wax Pump, Bag, Nozzle and Bracket	20

Accessory Trays



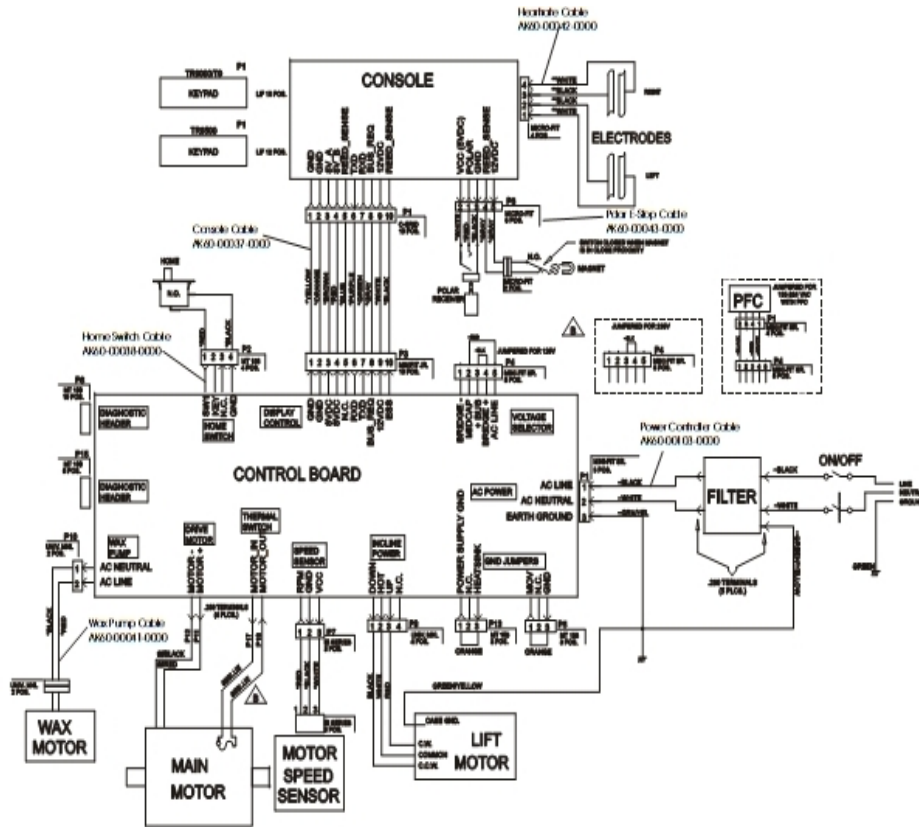
Ref #	Part Number	Qty	Description
-	0017-00042-1151	2	Push Rivets
-	0K60-01008-0003	1	Accessory Tray Right
-	0017-00101-1767	4	Hardware: Mounting Screws(4)
-	0K60-01008-0004	1	Accessory Tray Left

Belt, Deck and Rear Rollers



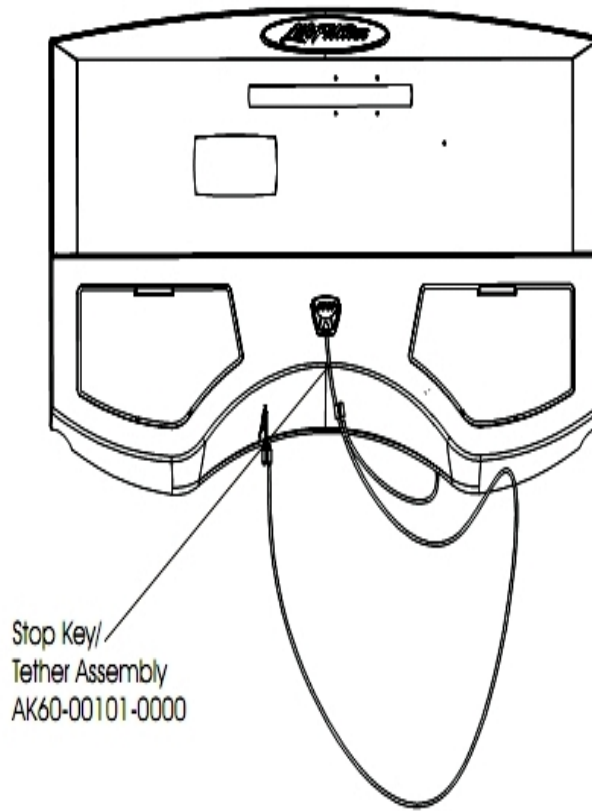
Ref #	Part Number	Qty	Description
-	0017-00101-1775	4	Hardware: Deck Screws 1.25"
-	OK60-01022-0000	1	Deck
-	OK58-01365-0000	1	Decal
-	AK60-00029-0000	1	Front Roller Assembly
-	OK60-01011-0000	1	Rear Roller
-	OK60-01024-0000	1	Striding Belt

Cables



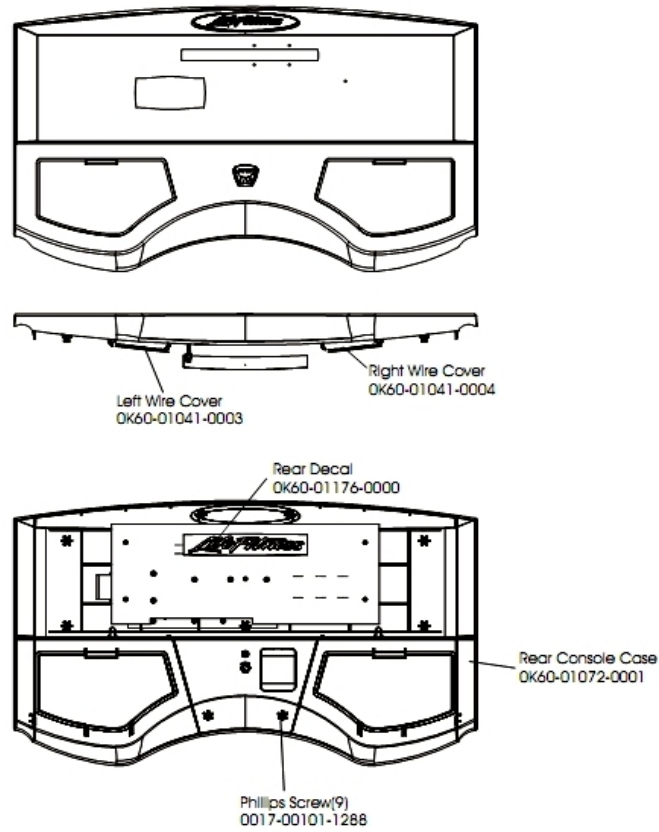
Ref #	Part Number	Qty	Description
-	AK60-00041-0000	1	Wax Pump Cable
-	AK60-00038-0000	1	Home Switch Cable
-	AK60-00042-0000	1	Heart Rate Cable
-	AK60-00103-0000	1	Power Controller Cable: 120V
-	AK60-00043-0000	1	Polar E-Stop Cable
-	AK60-00037-0000	1	Console Cable

Console Assembly 1



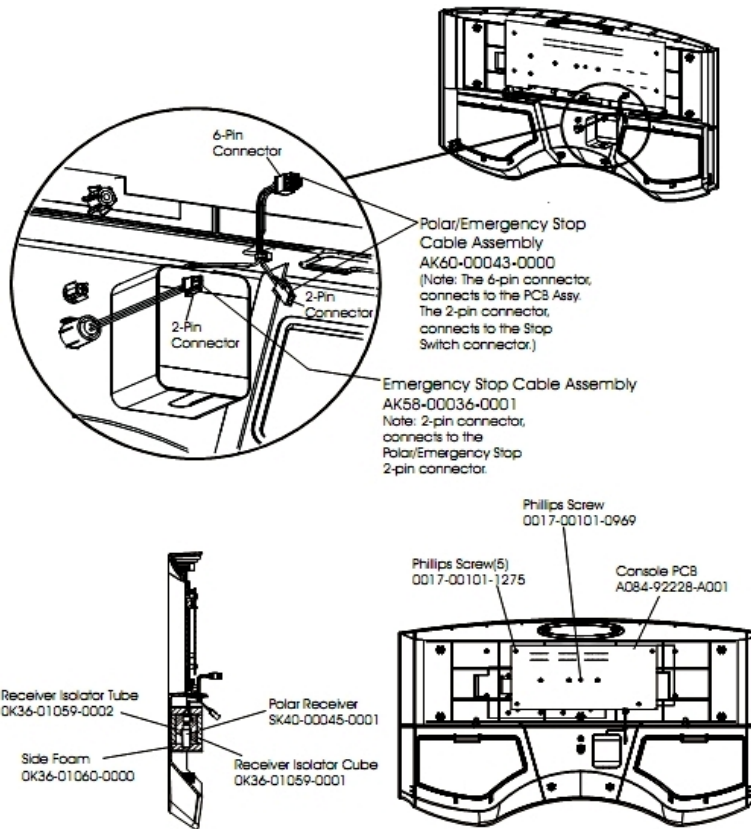
Ref #	Part Number	Qty	Description
-	AK60-00108-0001	1	Overlay/Bezel: English/Metric
-	AK60-00101-0000	1	Stop Key Tether Assembly
-	AK60-00111-0001	1	Console: English/English

Console Assembly 2



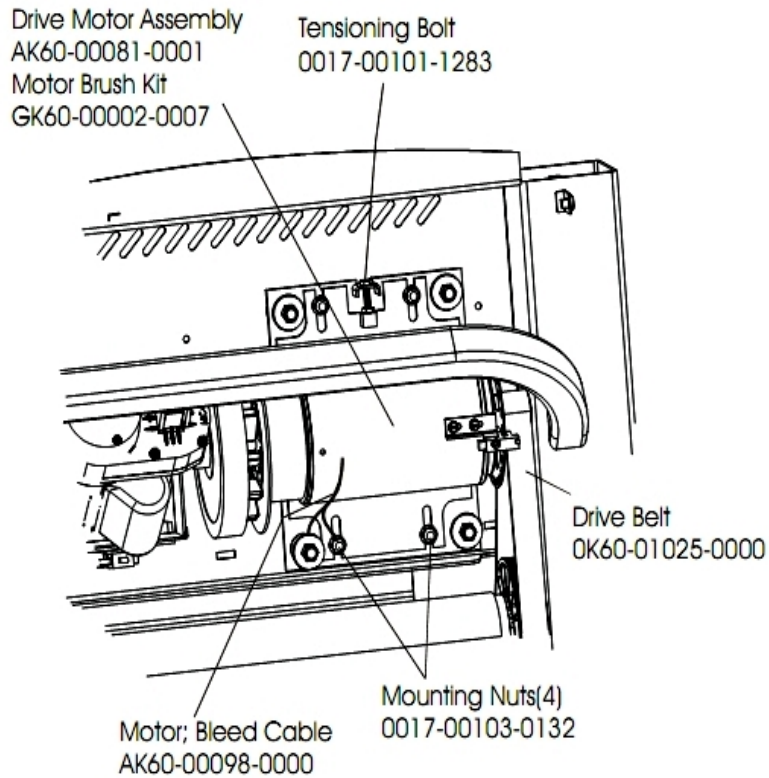
Ref #	Part Number	Qty	Description
-	OK60-01072-0001	1	Console Rear Case
-	OK60-01041-0004	1	Right Wire Cover
-	OK60-01176-0000	1	Rear Decal
-	OK60-01041-0003	1	Left Wire Cover
-	0017-00101-1288	9	Hardware: Phillips Screw 0.5"

Console Assembly 3



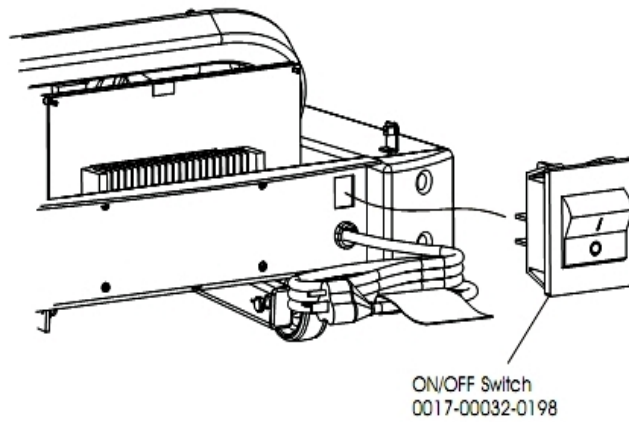
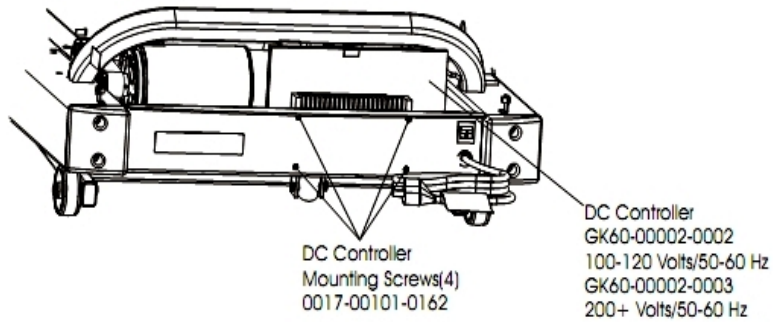
Ref #	Part Number	Qty	Description
-	AK58-00036-0000	1	Cable-Assembly: Emergency-Stop Switch
-	AK60-00043-0000	1	Polar E-Stop Cable
-	OK36-01059-0001	1	Isolator Receiver Cube
-	0017-00101-1275	5	Hardware: Phillips Screw 0.375"
-	SK40-00045-0001	1	Polar HR Kit
-	0017-00101-0969	1	Hardware: Phillips Screw
-	A084-92228-A001	1	Console PCB
-	OK36-01059-0002	1	Insulator Receiver Tube
-	OK36-01060-0000	1	Side Foam

Drive Motor Assembly



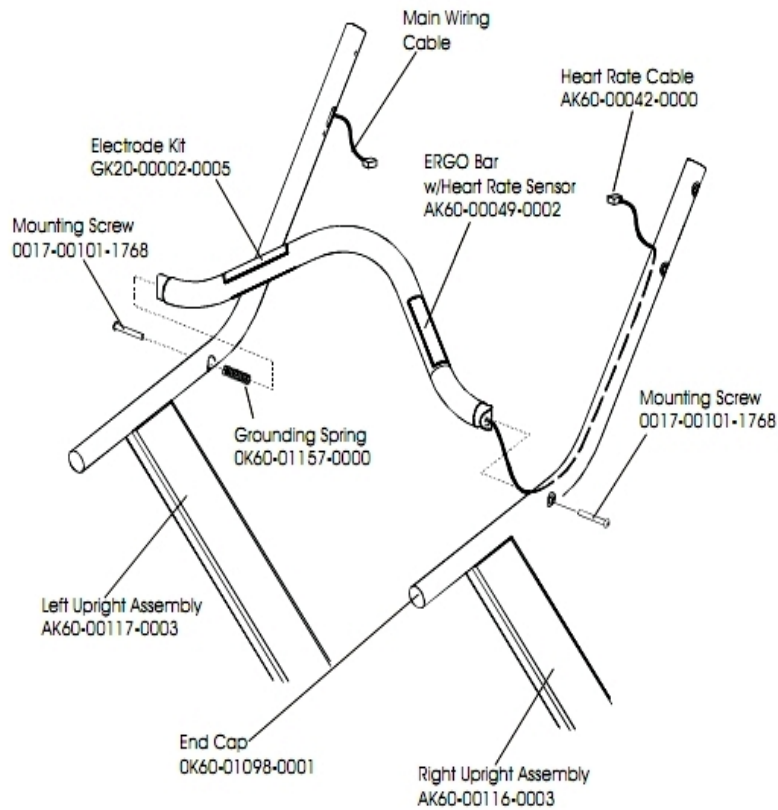
Ref #	Part Number	Qty	Description
-	GK60-00002-0015	1	Kit: Activate Treadmill Belt And Pulley
-	AK60-00081-0001	1	Drive Motor Assembly
-	0017-00103-0132	4	Hardware: Mounting Nut
-	GK60-00002-0007	1	Motor Brush Kit
-	AK60-00098-0000	1	Current Limit Wires
-	0017-00101-1283	1	Hardware: Tensioning Bolt

DC Controller and On/Off Switch



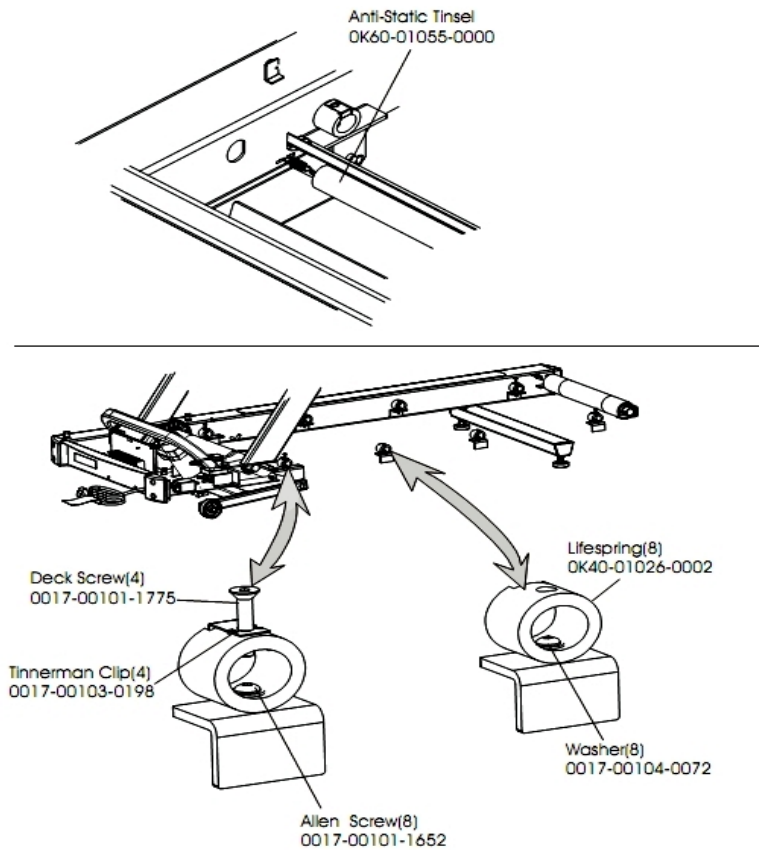
Ref #	Part Number	Qty	Description
-	GK60-00002-0003	1	DC Controller 200+ Volts/50-60 Hz
-	0017-00032-0198	1	On/Off Switch 22A
-	0017-00101-0162	4	Hardware: Screw 0.375"

Ergo Bar and Upright Assembly



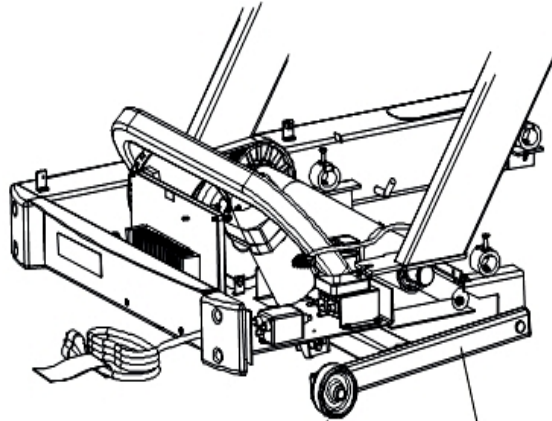
Ref #	Part Number	Qty	Description
-	AK60-00117-0003	1	Upright Assembly: Left
-	GK20-00002-0005	1	Heart Rate Electrode Kit
-	OK60-01157-0000	1	Grounding Spring
-	OK60-01098-0001	4	End Cap
-	AK60-00116-0003	1	Upright Assembly: Right
-	0017-00101-1768	2	Hardware: Mounting Screw
-	AK60-00042-0000	2	Heart Rate Cable
-	AK60-00049-0002	1	ERGO Bar with Heart Rate Sensor

Lifesprings and Anti-Static Tinsel



Ref #	Part Number	Qty	Description
-	0017-00101-1775	4	Hardware: Deck Screws 1.25"
-	OK40-01026-0002	8	Deck Spring
-	0017-00101-1652	8	Hardware: Spring Mounting Screw 1"
-	OK60-01055-0000	1	Anti-Static Tinsel
-	0017-00103-0198	4	Hardware: Tinnerman Clip 1/4" ID
-	0017-00104-0072	8	Hardware: Flat Washer 0.562" OD

Lift Frame Assembly

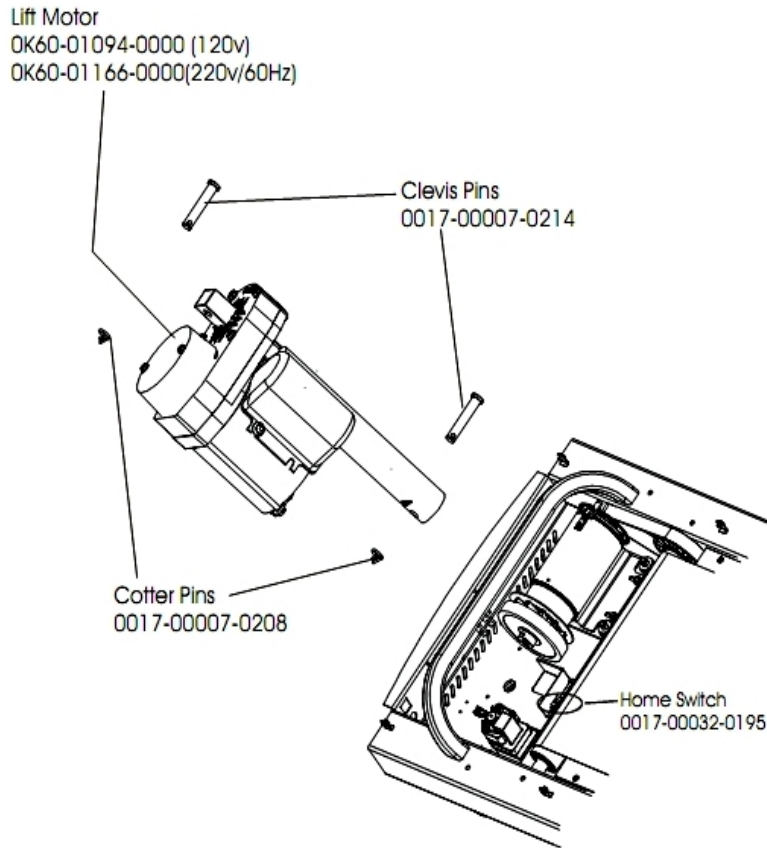


Lift Arm Wheel
OK60-01020-0000
Cap, Tube End
OK60-01092-0000
Cotter Pin
0017-00007-0208
Clevis Pin
0017-00007-0271

Lift Frame Assembly
AK60-00065-0000

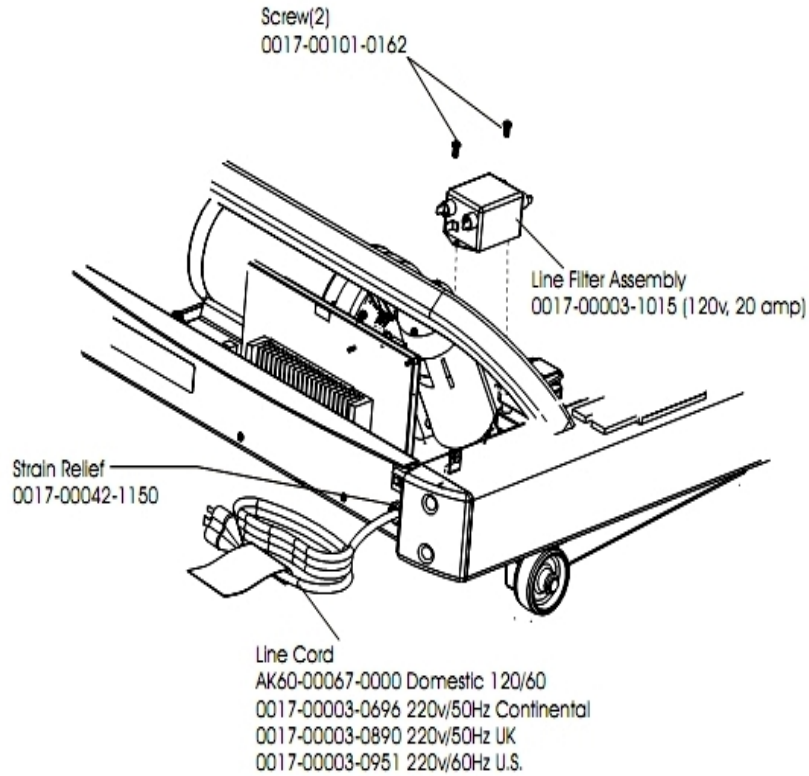
Ref #	Part Number	Qty	Description
-	0017-00007-0271	2	Hardware: Clevis Pin - 1/2" D 2.75" L
-	OK60-01020-0000	2	Wheel
-	0017-00007-0208	2	Hardware: Cotter Pin
-	6836601	2	Cap, End 1 X 1-1/2 11 GA
-	AK60-00065-0000	1	Lift Frame Assembly

Lift Motor and Home Switch



Ref #	Part Number	Qty	Description
-	0017-00032-0195	1	Home Switch
-	0017-00007-0208	2	Hardware: Cotter Pin
-	0017-00007-0214	2	Hardware: Clevis Pin 3/8" D 1.75" L
-	OK60-01166-0000	1	Lift Motor (220v)

Line Cord and Line Filter

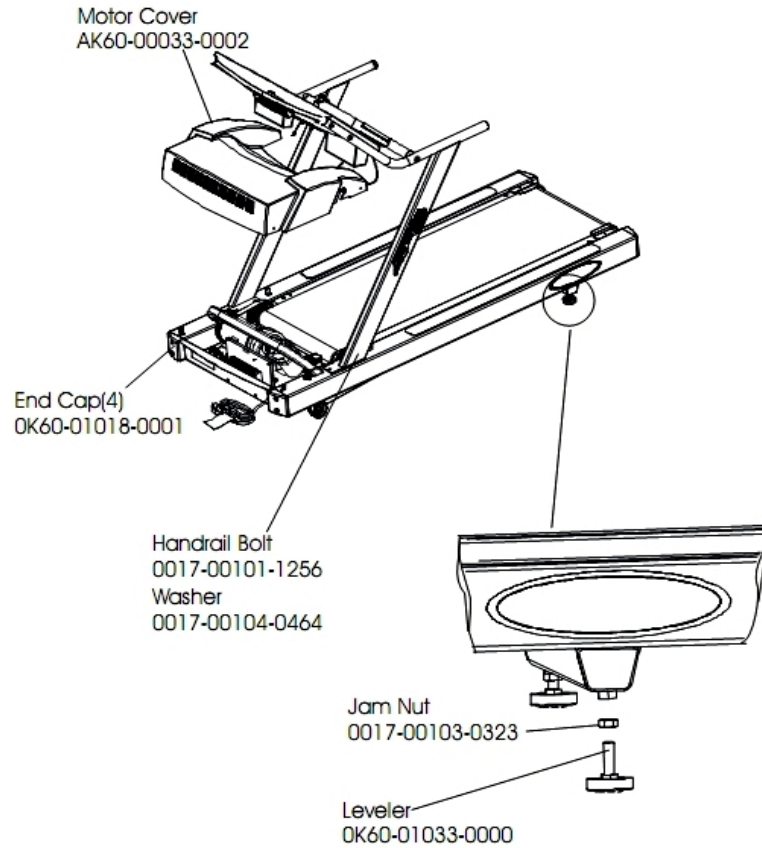


Ref #	Part Number	Qty	Description
-	0017-00003-0951	1	Line Cord 220v/60Hz U.S.
-	0017-00101-0162	2	Hardware: Screw 0.375"
-	0017-00042-1150	1	Strain Relief

Miscellaneous

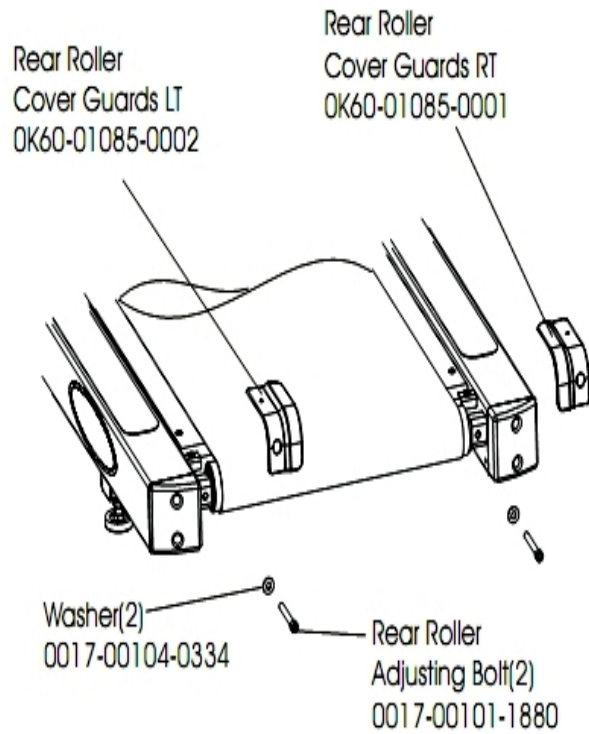
Ref #	Part Number	Qty	Description
-	0017-00008-0205	1	5 oz Bottle - Arctic Silver
-	0017-00008-0206	1	.33oz Pen - Arctic Silver
-	AK60-00053-0001	1	Hardware Bag
-	0017-00008-0204	1	Paint Spray Can - Arctic Silver

Motor Cover, Leveler and End Caps



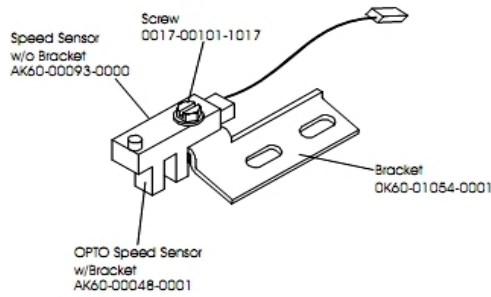
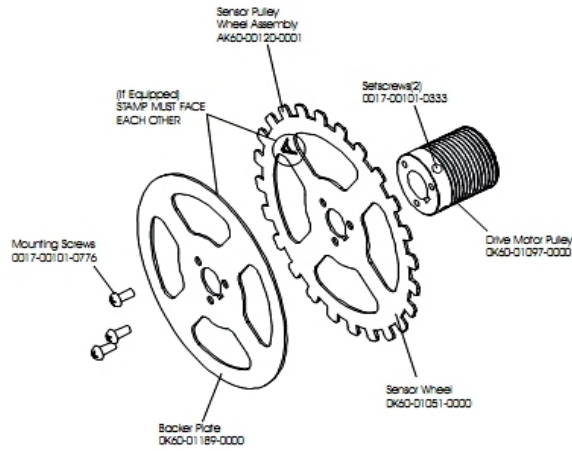
Ref #	Part Number	Qty	Description
-	0017-00101-1256	2	Hardware: Mounting Bolt 5"
-	OK60-01033-0000	2	Leg Leveler
-	AK60-00033-0002	1	Motor Cover
-	OK60-01018-0001	4	End Cap
-	0017-00103-0323	2	Hardware: Nut 1/2" ID
-	0017-00104-0464	2	Hardware: Flat Washer 0.734" OD

Rear Roller Guards



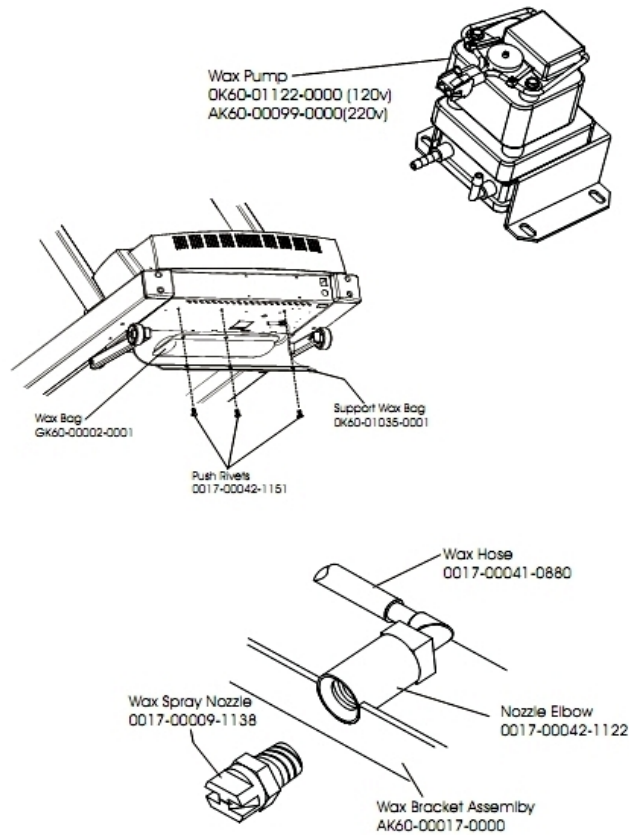
Ref #	Part Number	Qty	Description
-	OK60-01085-0001	1	Roller Guard: Right
-	OK60-01085-0002	1	Roller Guard: Left
-	0017-00101-1880	2	Hardware: Tension Bolts 3"
-	0017-00104-0334	2	Hardware: Flat Washers 0.880" OD

Sensors



Ref #	Part Number	Qty	Description
-	AK60-00048-0001	1	OPTO Speed Sensor with Bracket
-	AK60-00120-0001	1	Chopper Pulley Wheel Assembly
-	OK60-01189-0000	1	Backer Plate
-	0017-00101-0333	2	Hardware: Screw 0.3125"
-	0017-00101-1017	1	Hardware: Leg Cover Screws
-	AK60-00093-0000	1	Speed Sensor without Bracket
-	0017-00101-0776	3	Hardware: Mounting Screws
-	OK60-01097-0000	1	Drive Motor Pulley
-	OK60-01054-0001	1	Bracket
-	OK60-01051-0000	1	Sensor Wheel

Wax Pump, Bag, Nozzle and Bracket



Ref #	Part Number	Qty	Description
-	0017-00042-1122	1	Nozzle Elbow
-	0017-00041-0880	1	Wax Hose
-	OK60-01035-0001	1	Support Wax Bag
-	AK60-00017-0000	1	Wax Nozzle Assembly
-	0017-00009-1138	1	Wax Spray Nozzle
-	0017-00042-1151	3	Push Rivets
-	AK60-00099-0000	1	Wax Motor: 220V
-	GK60-00002-0001	1	Wax Bag

