

91Ti Treadmill - 3HP DC - Lifepulse - Arctric Silver

91TW-0100-02

Parts Manual

1/5/2019 7:08:20 AM

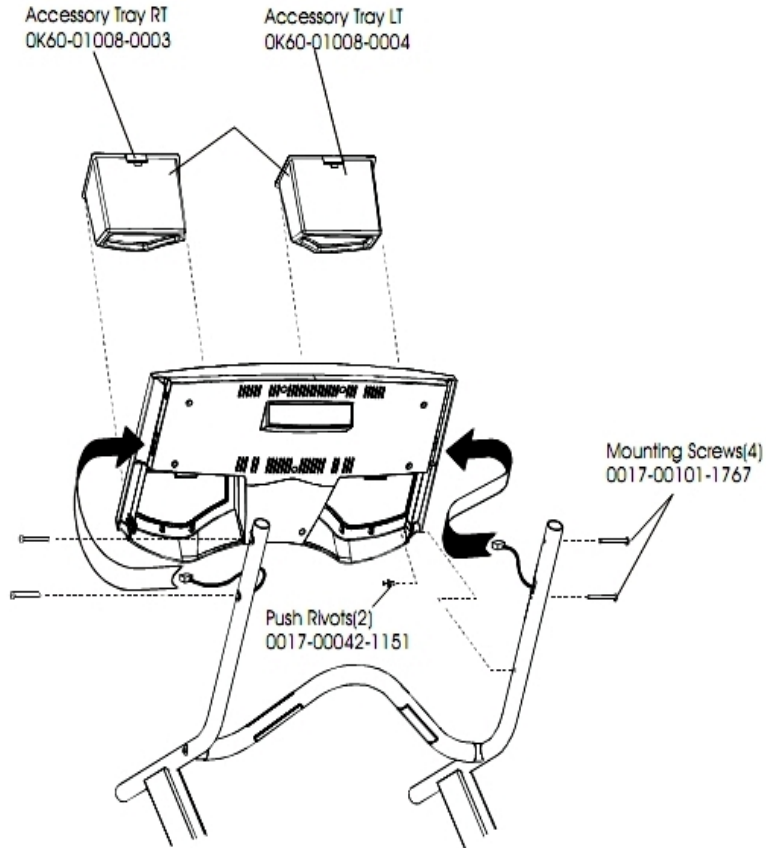


Lifefitness
WHAT WE LIVE FOR

Table of Contents

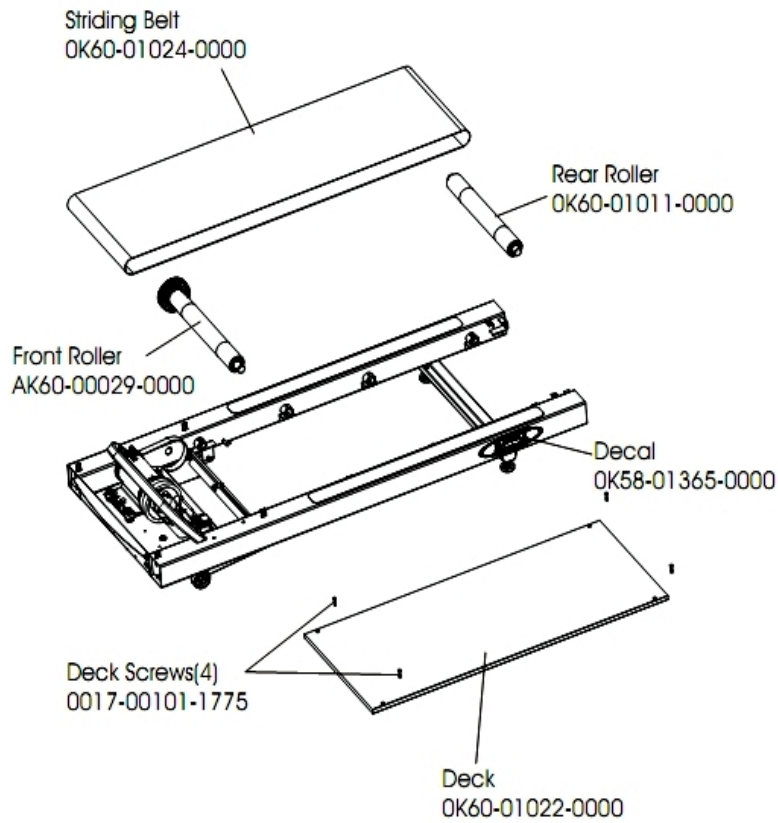
Accessory Trays	3
Belt, Deck And Rollers	4
Cables	5
Console Assembly 1	6
Console Assembly 2	7
Console Assembly 3	8
Dc Controller And On/Off Switch	9
Drive Motor Assembly	10
Ergo Bar And Upright Assembly	11
Lifesprings And Anti-Static Tinsel	12
Lift Frame Assembly	13
Lift Motor And Home Switch	14
Line Cord And Line Filter	15
Motor Cover, Leveler And End Caps	16
References	17
Roller Guard Assembly	18
Sensors	19
Wax Pump, Bag, Nozzle And Bracket	20

Accessory Trays



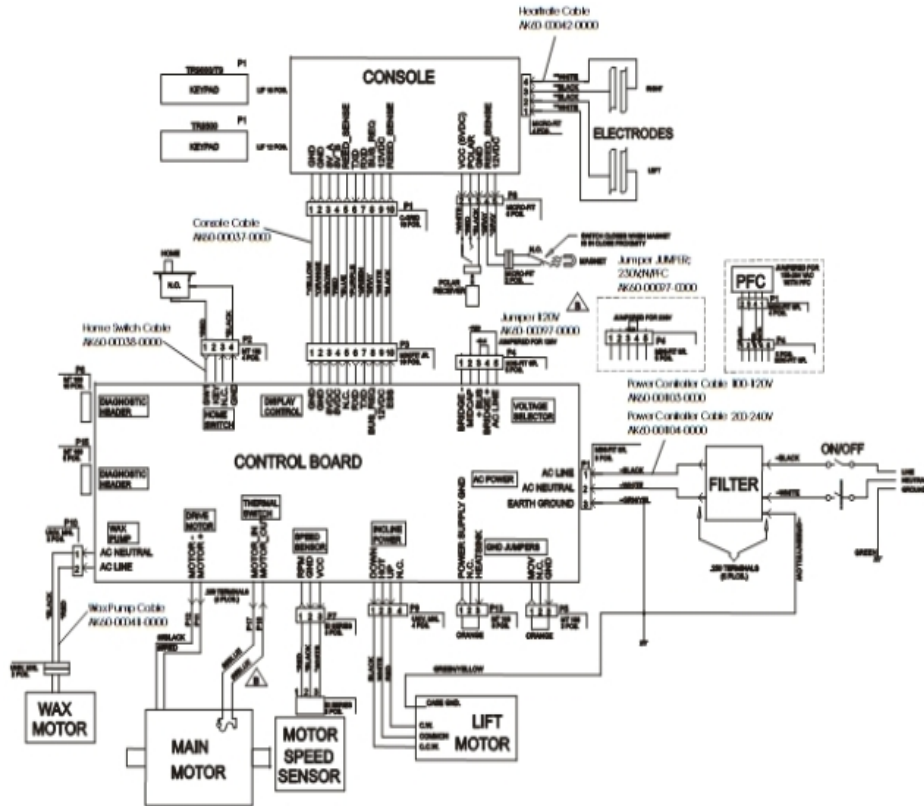
Ref #	Part Number	Qty	Description
-	0K60-01008-0004	1	Accessory Tray Left
-	0K60-01008-0003	1	Accessory Tray Right
-	0017-00042-1151	2	Push Rivets
-	0017-00101-1767	4	Hardware: Mounting Screws(4)

Belt, Deck And Rollers



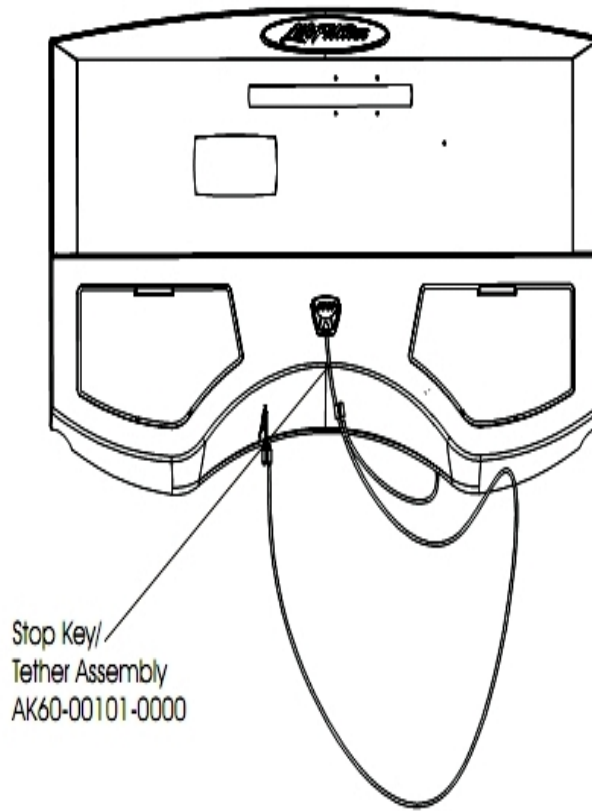
Ref #	Part Number	Qty	Description
-	OK60-01022-0000	1	Deck
-	0017-00101-1775	4	Hardware: Deck Screws 1.25"
-	OK58-01365-0000	1	Decal
-	OK60-01011-0000	1	Rear Roller
-	AK60-00029-0000	1	Front Roller Assembly
-	OK60-01024-0000	1	Striding Belt

Cables



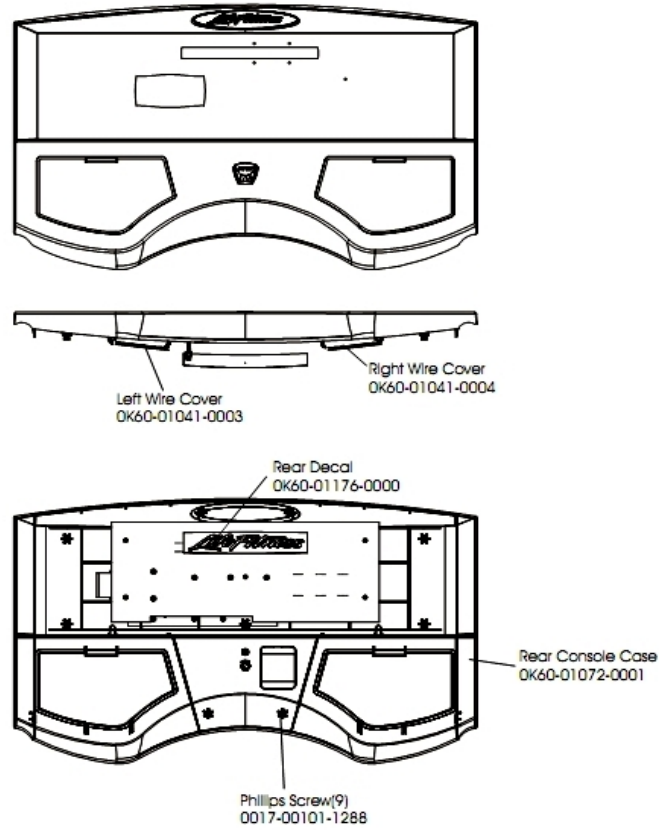
Ref #	Part Number	Qty	Description
-	AK60-0097-0000	1	Jumper: 120V
-	AK60-0041-0000	1	Wax Pump Cable
-	AK60-0037-0000	1	Console Cable
-	AK60-0042-0000	1	Heart Rate Cable
-	AK60-0038-0000	1	Home Switch Cable
-	AK60-0013-0000	1	Power Controller Cable: 120V

Console Assembly 1



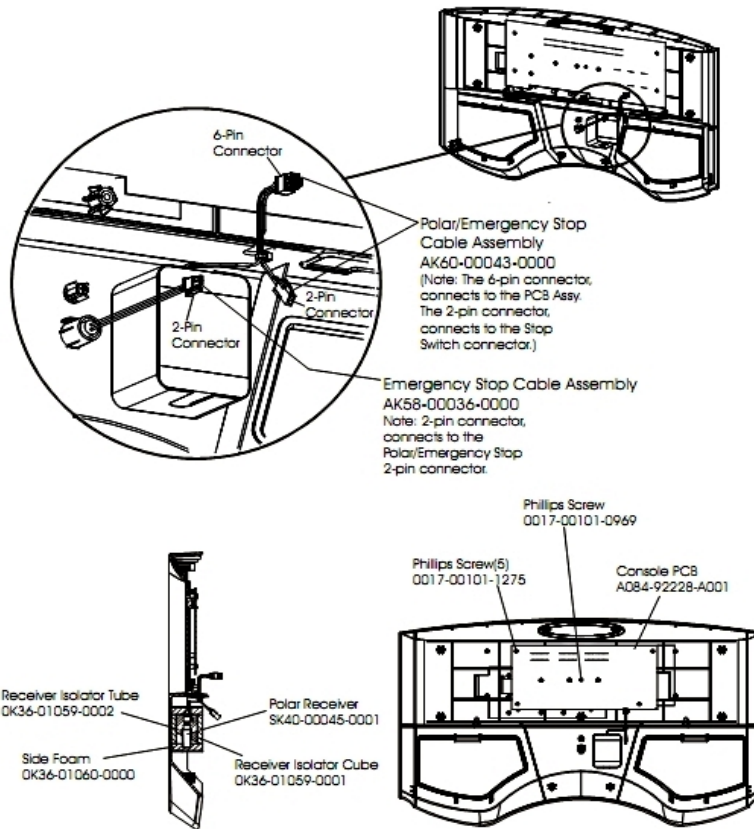
Ref #	Part Number	Qty	Description
-	AK60-00108-0001	1	Overlay/Bezel: English/Metric
-	AK60-00101-0000	1	Stop Key Tether Assembly
-	AK60-00133-0001	1	Console: English/English

Console Assembly 2



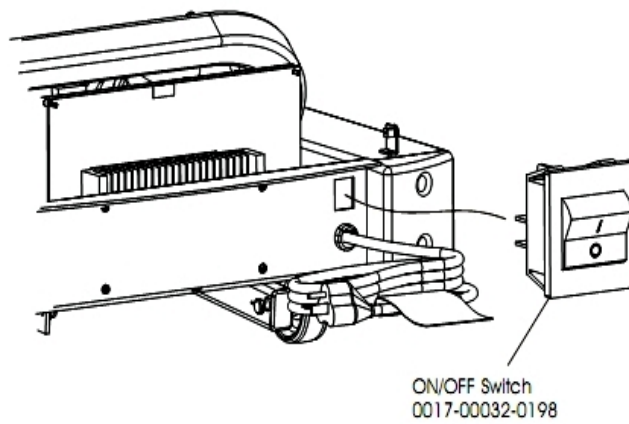
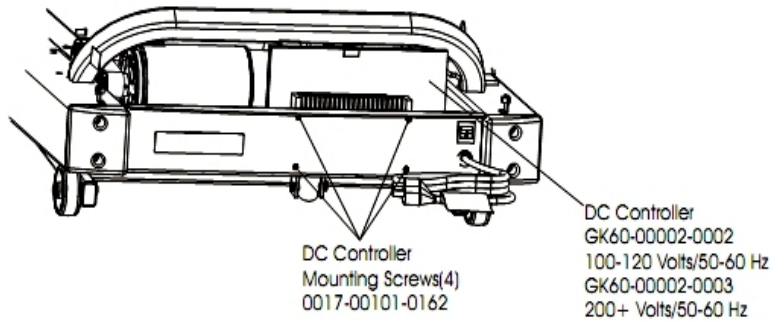
Ref #	Part Number	Qty	Description
-	OK60-01072-0001	1	Console Rear Case
-	OK60-01041-0004	1	Right Wire Cover
-	OK60-01176-0000	1	Rear Decal
-	0017-00101-1288	9	Hardware: Phillips Screw 0.5"
-	OK60-01041-0003	1	Left Wire Cover

Console Assembly 3



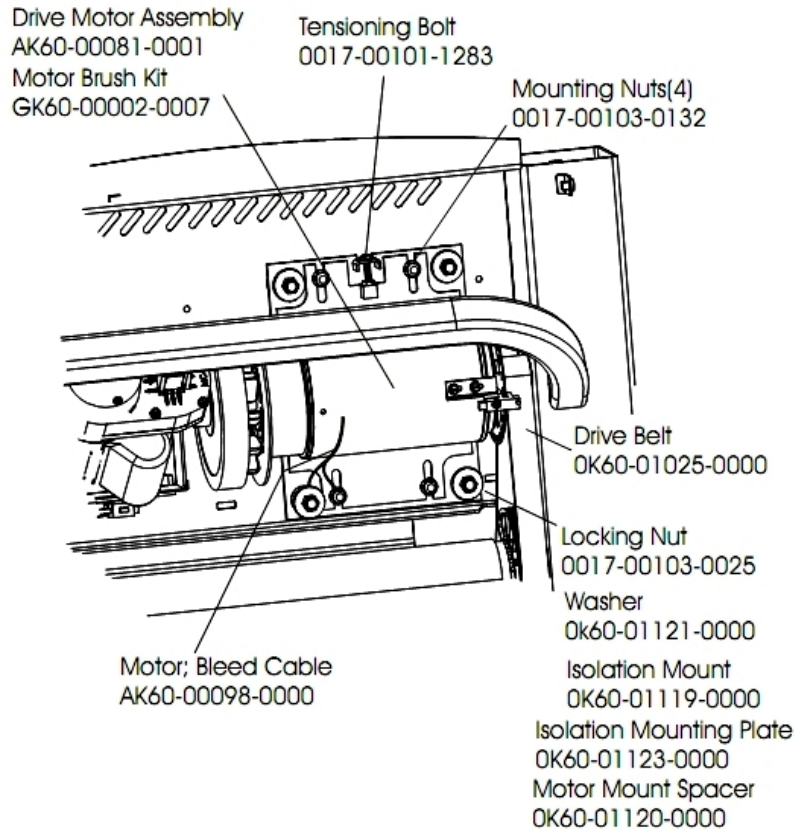
Ref #	Part Number	Qty	Description
-	0017-00101-1275	5	Hardware: Phillips Screw 0.375"
-	A084-92228-A001	1	Console PCB
-	AK60-00043-0000	1	Polar E-Stop Cable
-	SK40-00045-0001	1	Polar HR Kit
-	0017-00101-0969	1	Hardware: Phillips Screw
-	OK36-01060-0000	1	Side Foam
-	AK58-00036-0000	1	Cable-Assembly: Emergency-Stop Switch
-	OK36-01059-0001	1	Isolator Receiver Cube
-	OK36-01059-0002	1	Insulator Receiver Tube

Dc Controller And On/Off Switch



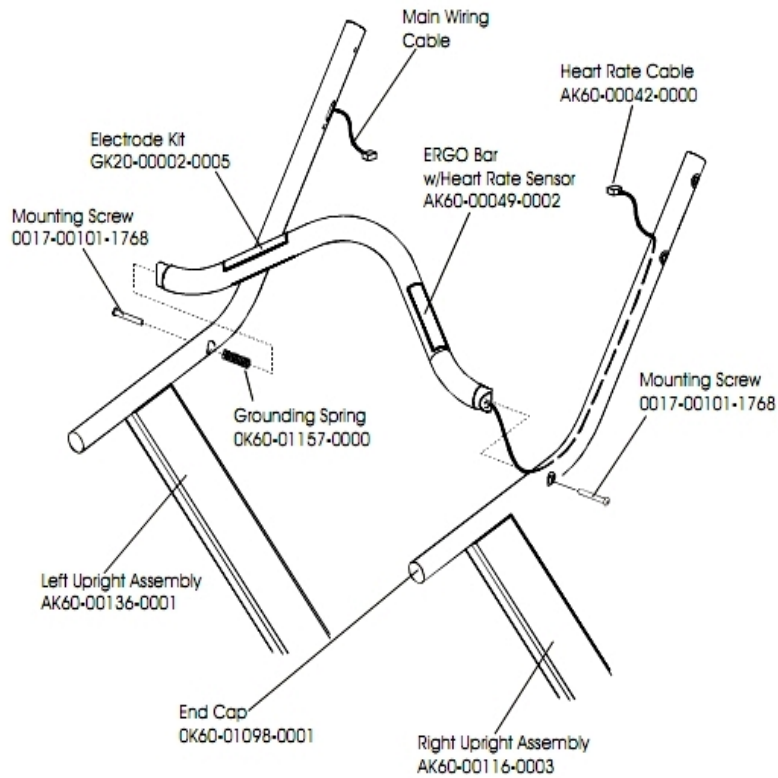
Ref #	Part Number	Qty	Description
-	0017-00032-0198	1	On/Off Switch 22A
-	0017-00101-0162	4	Hardware: Screw 0.375"
-	GK60-00002-0002	1	DC Controller (100-120 Volts)

Drive Motor Assembly



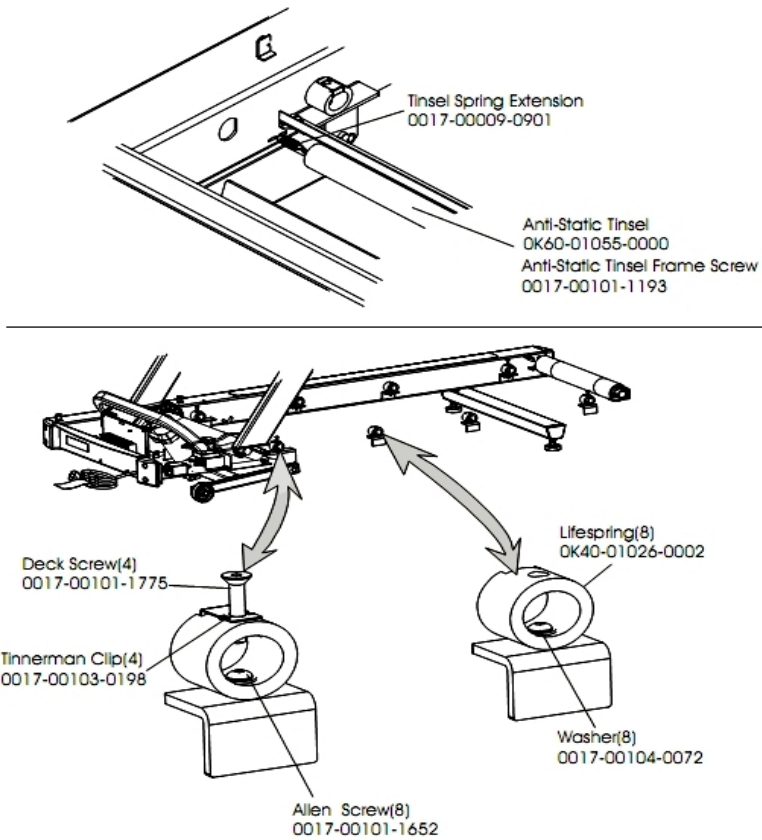
Ref #	Part Number	Qty	Description
-	0017-00101-1283	1	Hardware: Tensioning Bolt
-	AK60-00081-0001	1	Drive Motor Assembly
-	GK60-00002-0015	1	Kit: Activate Treadmill Belt And Pulley
-	0017-00103-0132	4	Hardware: Mounting Nut
-	AK60-00098-0000	1	Current Limit Wires
-	GK60-00002-0007	1	Motor Brush Kit

Ergo Bar And Upright Assembly



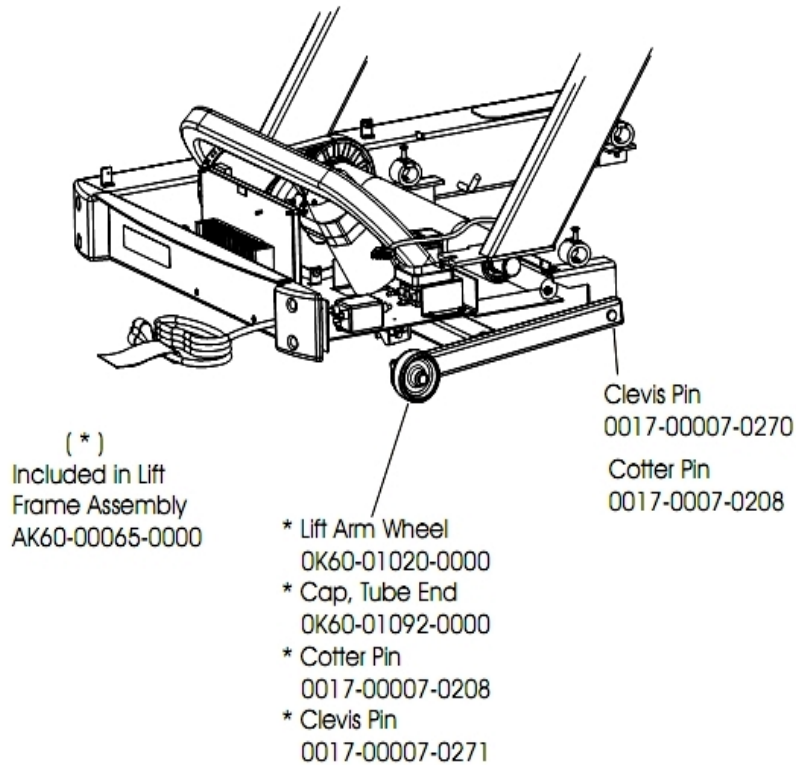
Ref #	Part Number	Qty	Description
-	OK60-01098-0001	4	End Cap
-	OK60-01157-0000	1	Grounding Spring
-	0017-00101-1768	2	Hardware: Mounting Screw
-	AK60-00116-0003	1	Upright Assembly: Right
-	AK60-00042-0000	1	Heart Rate Cable
-	AK60-00049-0002	1	ERGO Bar with Heart Rate Sensor
-	GK20-00002-0005	1	Heart Rate Electrode Kit
-	AK60-00136-0001	1	Upright Assembly: Left

Lifesprings And Anti-Static Tinsel



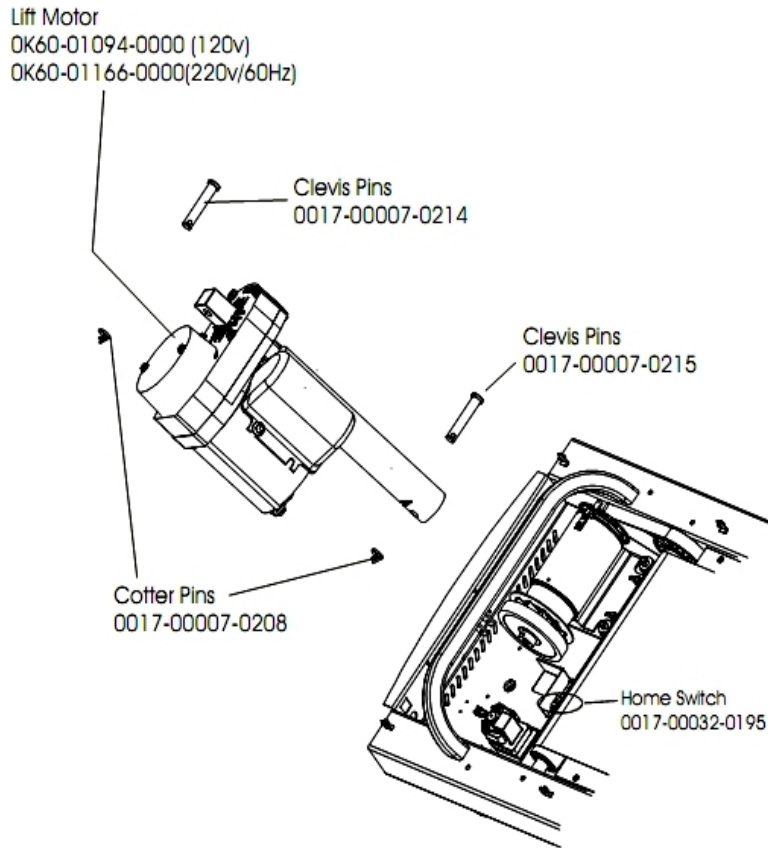
Ref #	Part Number	Qty	Description
-	0017-00101-1775	4	Hardware: Deck Screws 1.25"
-	OK40-01026-0002	8	Deck Spring
-	0017-00104-0072	8	Hardware: Flat Washer 0.562" OD
-	0017-00103-0198	4	Hardware: Tinnerman Clip 1/4" ID
-	OK60-01055-0000	1	Anti-Static Tinsel
-	0017-00101-1652	8	Hardware: Spring Mounting Screw 1"

Lift Frame Assembly



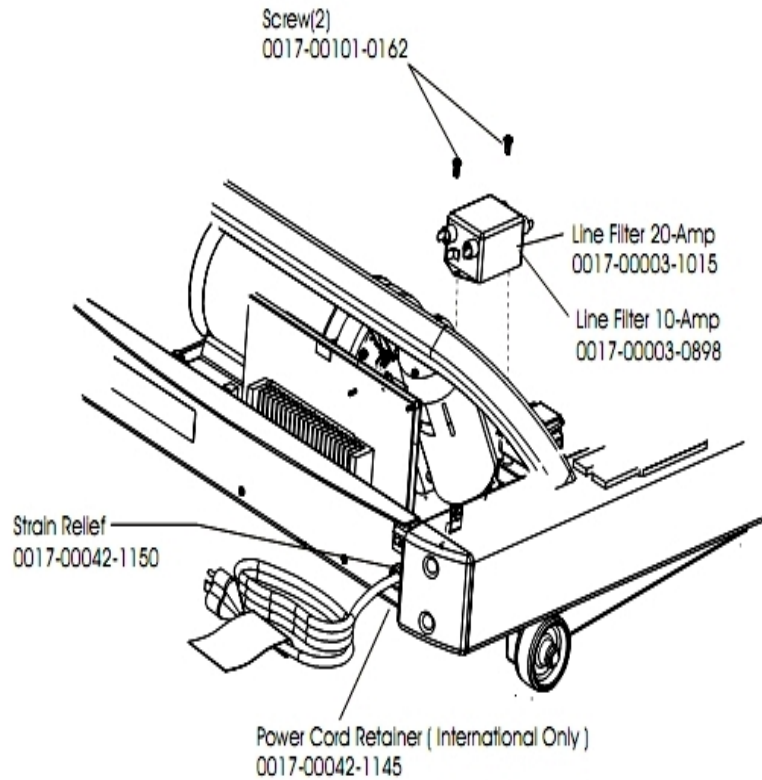
Ref #	Part Number	Qty	Description
-	6836601	2	Cap, End 1 X 1-1/2 11 GA
-	0017-00007-0271	2	Hardware: Clevis Pin - 1/2" D 2.75" L
-	OK60-01020-0000	2	Wheel
-	0017-00007-0208	2	Hardware: Cotter Pin
-	AK60-00065-0000	1	Lift Frame Assembly

Lift Motor And Home Switch



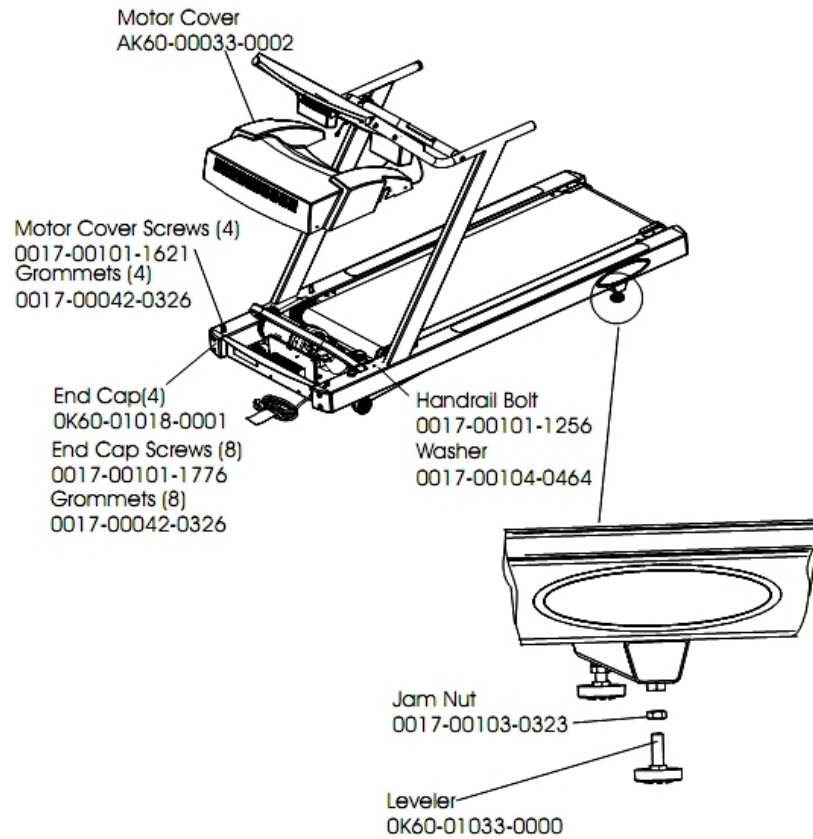
Ref #	Part Number	Qty	Description
-	0017-00007-0214	1	Hardware: Clevis Pin 3/8" D 1.75" L
-	0017-00032-0195	1	Home Switch
-	0017-00007-0208	2	Hardware: Cotter Pin
-	OK60-01094-0000	1	Motor: Lift DOM 100V-120V

Line Cord And Line Filter



Ref #	Part Number	Qty	Description
-	0017-00042-1150	1	Strain Relief
-	0017-00003-0898	1	10 amp Line Filter (INT)
-	0017-00101-0162	2	Hardware: Screw 0.375"
-	AK60-00067-0000	1	Line Cord: US; 120/60

Motor Cover, Leveler And End Caps

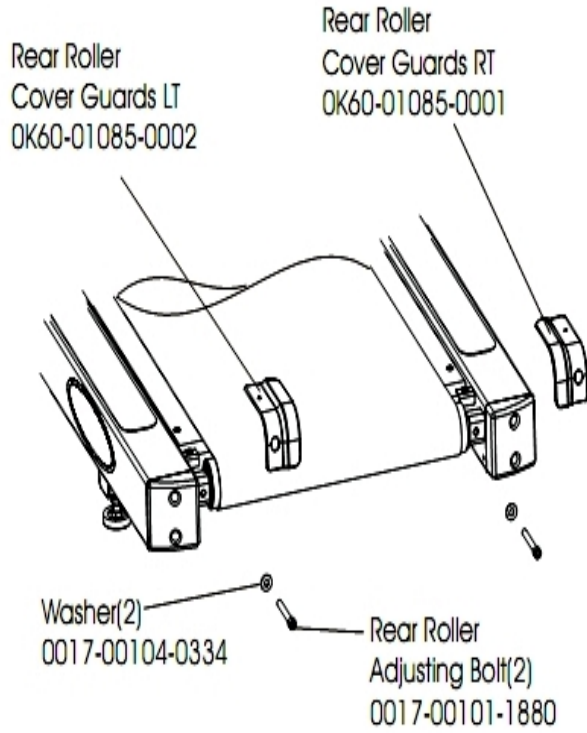


Ref #	Part Number	Qty	Description
-	OK60-01033-0000	2	Leg Leveler
-	0017-00101-1256	2	Hardware: Mounting Bolt 5"
-	0017-00104-0464	2	Hardware: Flat Washer 0.734" OD
-	0017-00103-0323	2	Hardware: Nut 1/2" ID
-	OK60-01018-0001	4	End Cap
-	AK60-00033-0002	1	Motor Cover

References

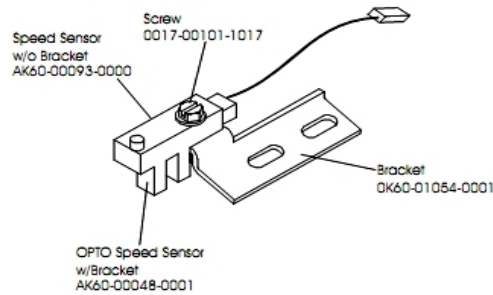
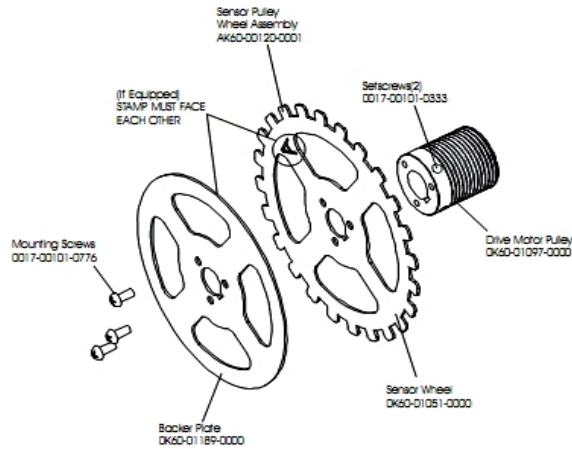
Ref #	Part Number	Qty	Description
-	M051-00K60-A013	1	Service Manual
-	0017-00008-0204	1	Paint Spray Can - Arctic Silver
-	AK32-00078-0001	1	Power Extension Cable: 120"
-	0017-00008-0205	1	5 oz Bottle - Arctic Silver
-	AK32-00020-0002	1	Coax Cable: 120"
-	M051-00K60-A028	1	Operation Manual
-	AK60-00162-0000	1	Hardware Bag
-	0017-00008-0206	1	.33oz Pen - Arctic Silver

Roller Guard Assembly



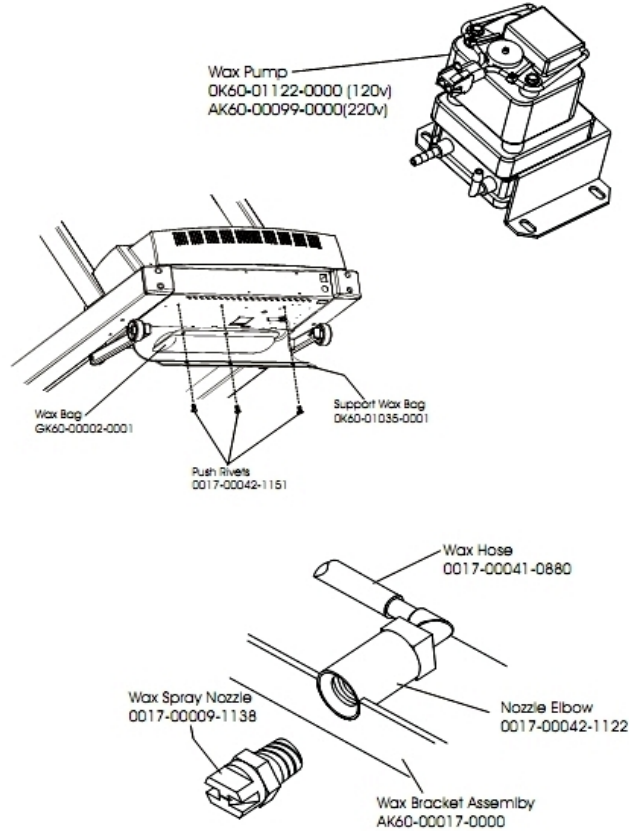
Ref #	Part Number	Qty	Description
-	0017-00101-1779	2	Hardware: Rear Roller Adjusting Bolt
-	OK60-01085-0002	1	Roller Guard: Left
-	0017-00104-0334	2	Hardware: Flat Washers 0.880" OD
-	OK60-01085-0001	1	Roller Guard: Right

Sensors



Ref #	Part Number	Qty	Description
-	OK60-01097-0000	1	Drive Motor Pulley
-	AK60-00093-0000	1	Speed Sensor without Bracket
-	OK60-01051-0000	1	Sensor Wheel
-	OK60-01054-0001	1	Bracket
-	OK60-01189-0000	1	Backer Plate
-	0017-00101-0333	2	Hardware: Screw 0.3125"
-	0017-00101-1017	1	Hardware: Leg Cover Screws
-	AK60-00120-0001	1	Chopper Pulley Wheel Assembly
-	AK60-00048-0001	1	OPTO Speed Sensor with Bracket
-	0017-00101-0776	3	Hardware: Mounting Screws

Wax Pump, Bag, Nozzle And Bracket



Ref #	Part Number	Qty	Description
-	AK60-00017-0000	1	Wax Nozzle Assembly
-	0017-00042-1151	3	Push Rivets
-	GK60-00002-0001	1	Wax Bag
-	0017-00009-1138	1	Wax Spray Nozzle
-	0017-00042-1122	1	Nozzle Elbow
-	0017-00041-0880	1	Wax Hose
-	OK60-01122-0000	1	Wax Motor (120v)
-	OK60-01035-0001	1	Support Wax Bag

