

91Ti Treadmill - 3HP DC - Prewired - Heart Rate

91TW-0104-03

Parts Manual

1/5/2019 7:09:46 AM

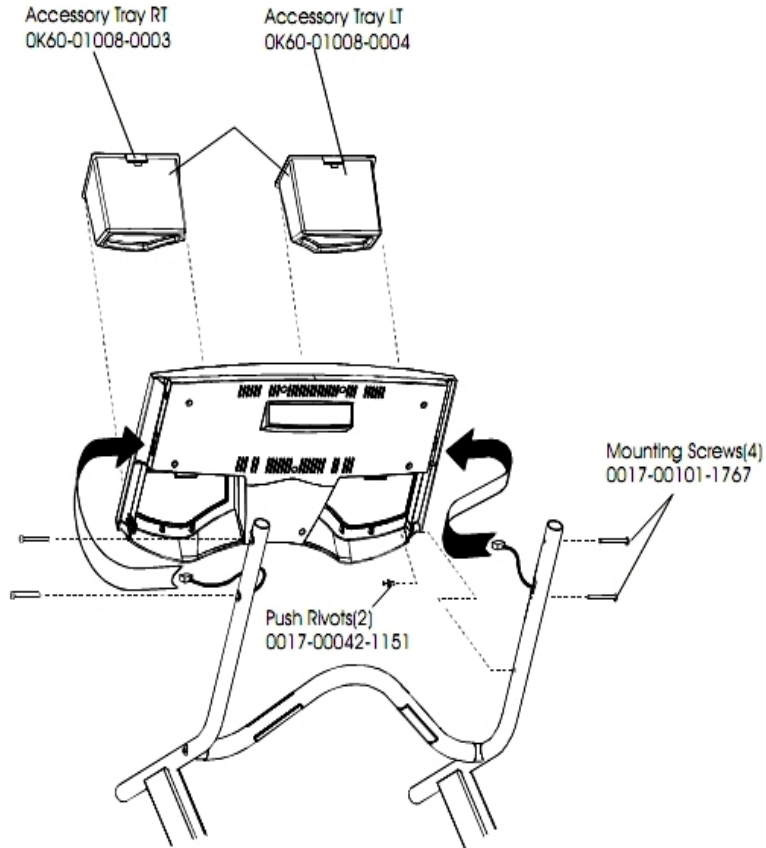


LifeFitness
WHAT WE LIVE FOR

Table of Contents

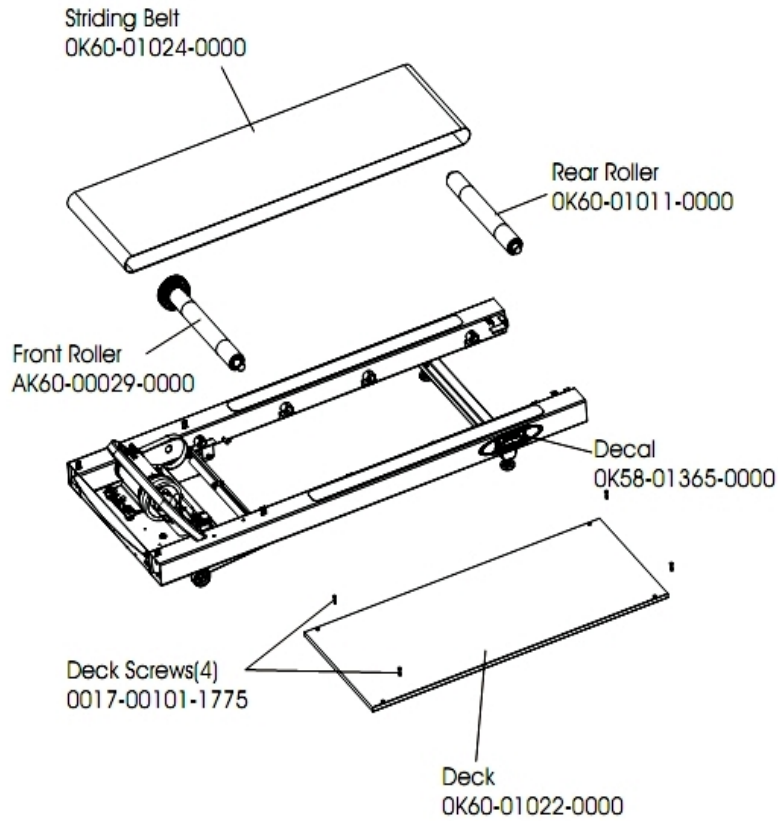
Accessory Trays	3
Belt, Deck And Rollers	4
Cables	5
Console Assembly 1	6
Console Assembly 2	7
Console Assembly 3	8
Dc Controller And On/Off Switch	9
Drive Motor Assembly	10
Ergo Bar And Upright Assembly	11
Lifesprings And Anti-Static Tinsel	12
Lift Frame Assembly	13
Lift Motor And Home Switch	14
Line Cord And Line Filter	15
Motor Cover, Leveler And End Caps	16
References	17
Roller Guard Assembly	18
Sensors	19
Wax Pump, Bag, Nozzle And Bracket	20

Accessory Trays



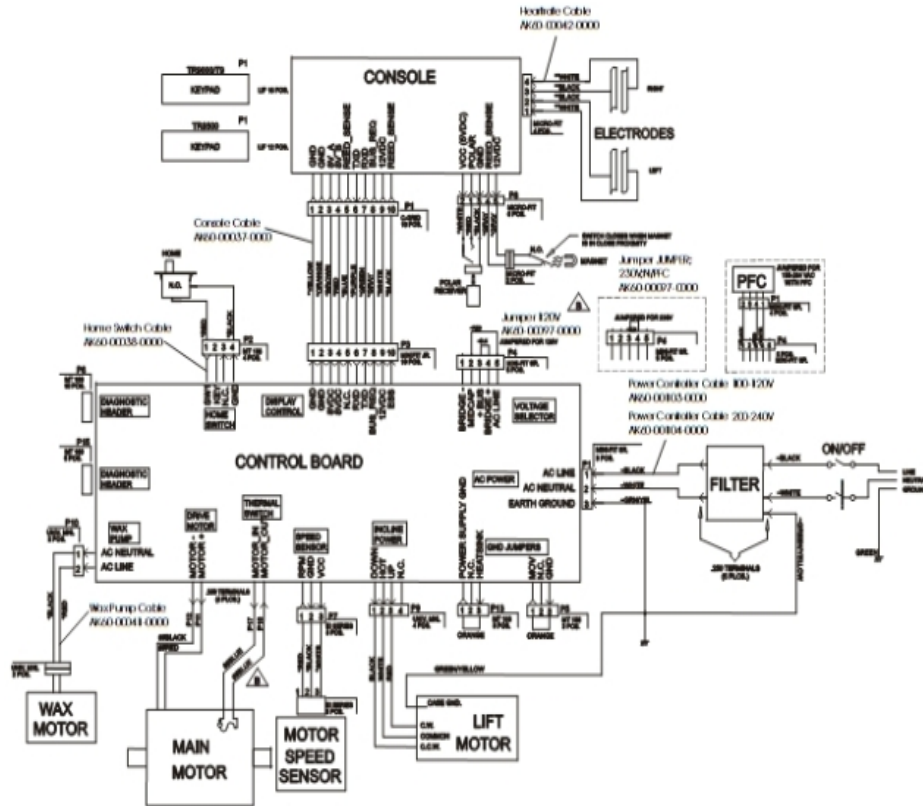
Ref #	Part Number	Qty	Description
-	0017-00042-1151	2	Push Rivets
-	0017-00101-1767	4	Hardware: Mounting Screws(4)
-	0K60-01008-0003	1	Accessory Tray Right
-	0K60-01008-0004	1	Accessory Tray Left

Belt, Deck And Rollers



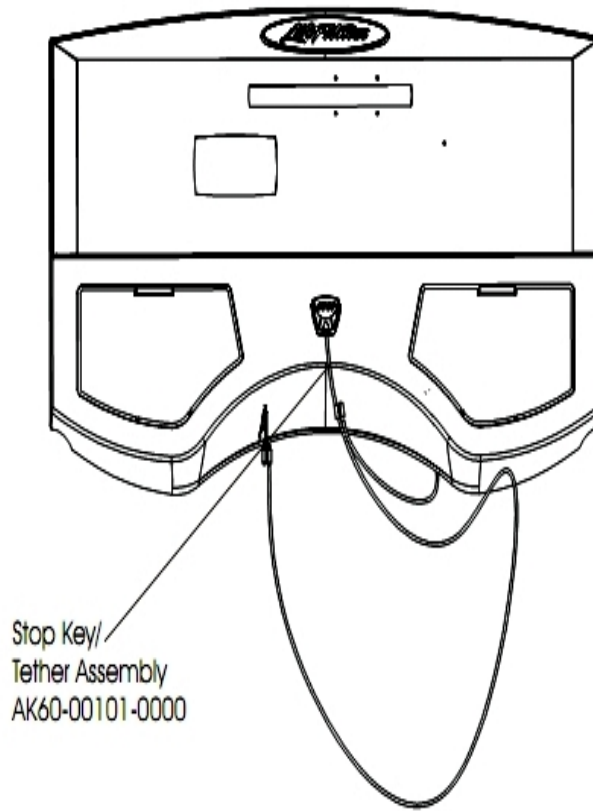
Ref #	Part Number	Qty	Description
-	0017-00101-1775	4	Hardware: Deck Screws 1.25"
-	OK60-01022-0000	1	Deck
-	OK58-01365-0000	1	Decal
-	AK60-00029-0000	1	Front Roller Assembly
-	OK60-01011-0000	1	Rear Roller
-	OK60-01024-0000	1	Striding Belt

Cables



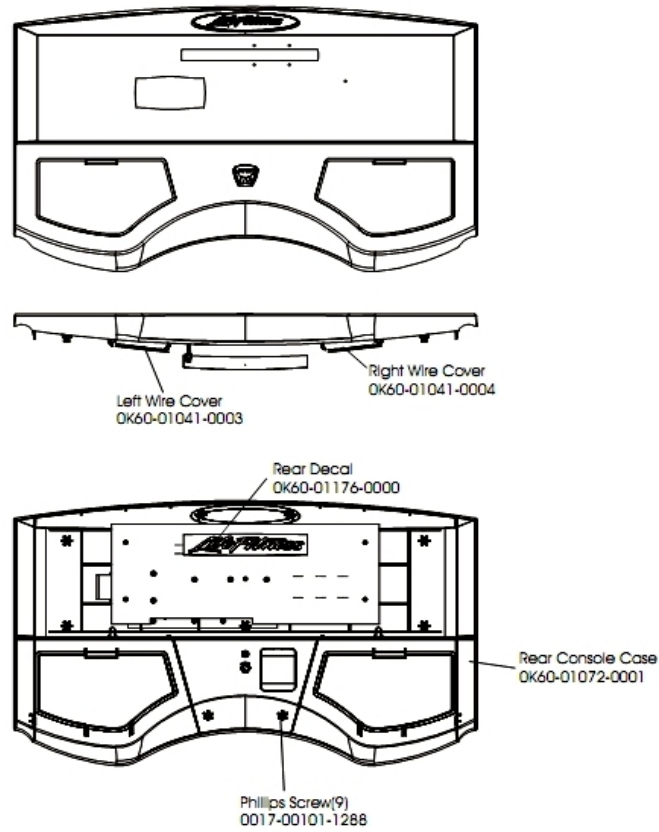
Ref #	Part Number	Qty	Description
-	AK60-00038-0000	1	Home Switch Cable
-	AK60-00097-0000	1	Jumper: 120V
-	AK60-00042-0000	1	Heart Rate Cable
-	AK60-00103-0000	1	Power Controller Cable: 120V
-	AK60-00041-0000	1	Wax Pump Cable
-	AK60-00037-0000	1	Console Cable

Console Assembly 1



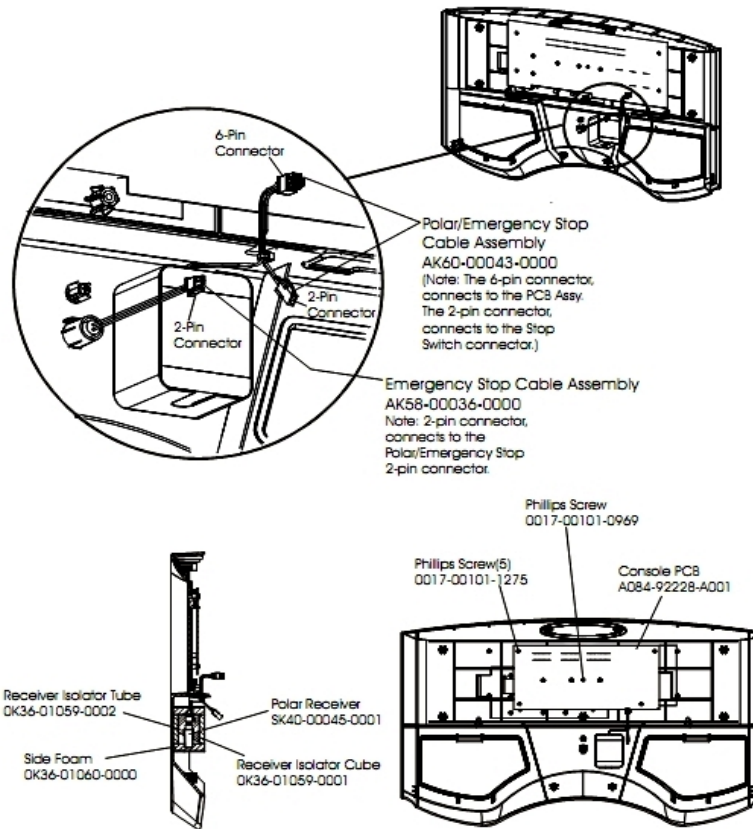
Ref #	Part Number	Qty	Description
-	AK60-00133-0001	1	Console: English/English
-	AK60-00108-0001	1	Overlay/Bezel: English/Metric
-	AK60-00101-0000	1	Stop Key Tether Assembly

Console Assembly 2



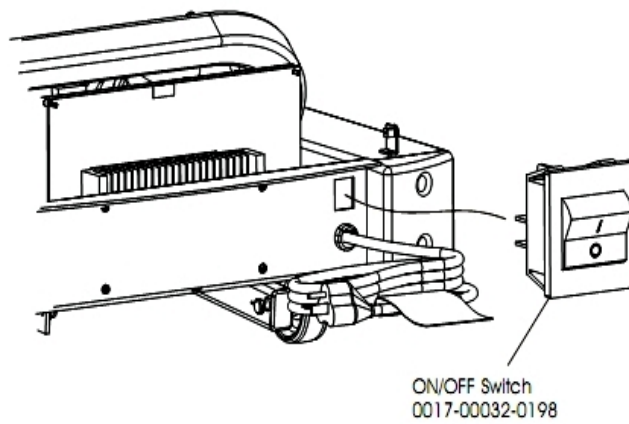
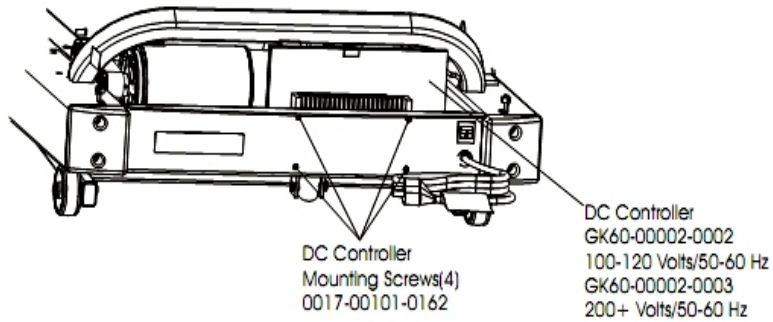
Ref #	Part Number	Qty	Description
-	OK60-01072-0001	1	Console Rear Case
-	OK60-01176-0000	1	Rear Decal
-	OK60-01041-0004	1	Right Wire Cover
-	0017-00101-1288	9	Hardware: Phillips Screw 0.5"
-	OK60-01041-0003	1	Left Wire Cover

Console Assembly 3



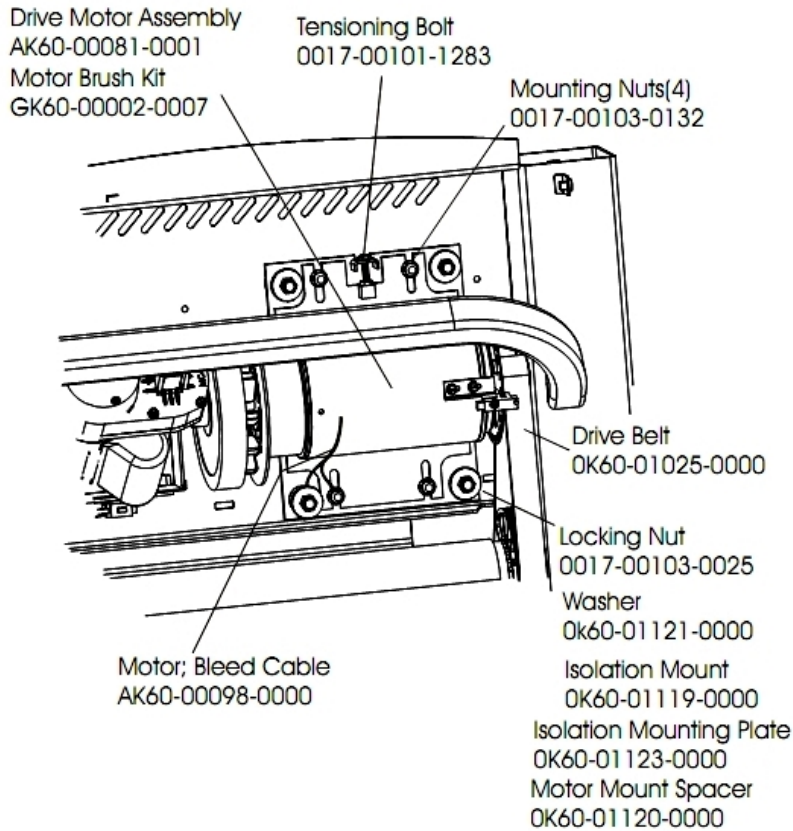
Ref #	Part Number	Qty	Description
-	0017-00101-0969	1	Hardware: Phillips Screw
-	OK36-01060-0000	1	Side Foam
-	AK60-00043-0000	1	Polar E-Stop Cable
-	AK58-00036-0000	1	Cable-Assembly: Emergency-Stop Switch
-	SK40-00045-0001	1	Polar HR Kit
-	OK36-01059-0002	1	Insulator Receiver Tube
-	A084-92228-A001	1	Console PCB
-	0017-00101-1275	5	Hardware: Phillips Screw 0.375"
-	OK36-01059-0001	1	Isolator Receiver Cube

Dc Controller And On/Off Switch



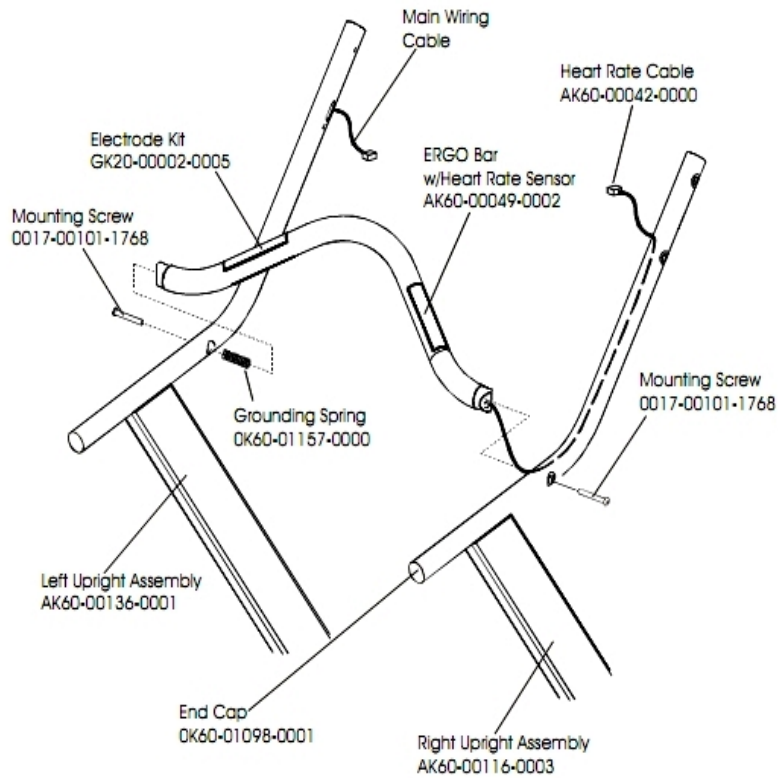
Ref #	Part Number	Qty	Description
-	GK60-00002-0003	1	DC Controller 200+ Volts/50-60 Hz
-	0017-00032-0198	1	On/Off Switch 22A
-	0017-00101-0162	4	Hardware: Screw 0.375"

Drive Motor Assembly



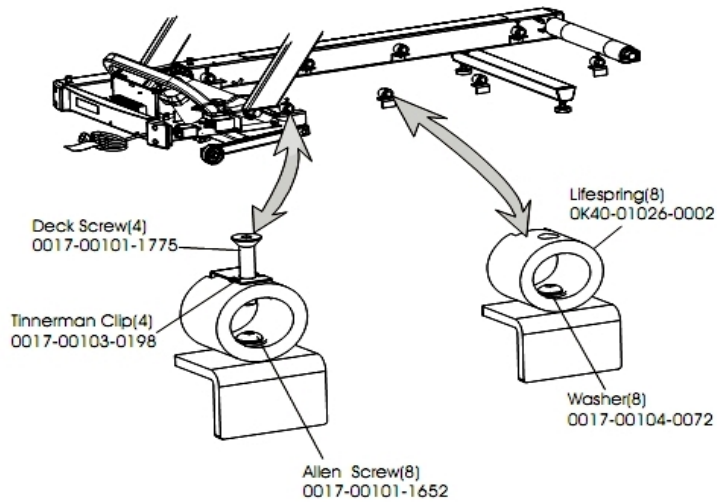
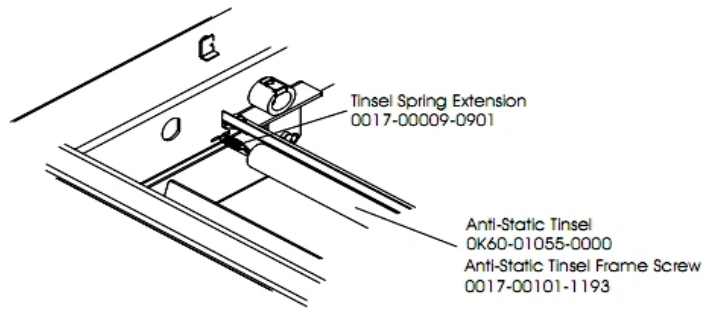
Ref #	Part Number	Qty	Description
-	GK60-00002-0007	1	Motor Brush Kit
-	0017-00103-0132	4	Hardware: Mounting Nut
-	AK60-00081-0001	1	Drive Motor Assembly
-	GK60-00002-0015	1	Kit: Activate Treadmill Belt And Pulley
-	AK60-00098-0000	1	Current Limit Wires
-	0017-00101-1283	1	Hardware: Tensioning Bolt

Ergo Bar And Upright Assembly



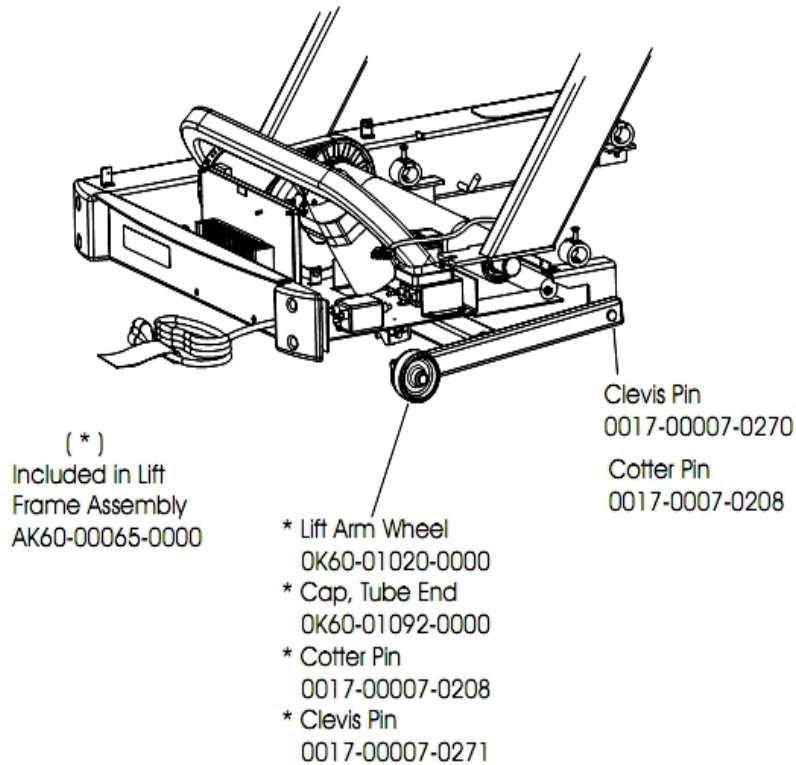
Ref #	Part Number	Qty	Description
-	GK20-00002-0005	1	Heart Rate Electrode Kit
-	OK60-01157-0000	1	Grounding Spring
-	AK60-00049-0002	1	ERGO Bar with Heart Rate Sensor
-	OK60-01098-0001	4	End Cap
-	0017-00101-1768	2	Hardware: Mounting Screw
-	AK60-00116-0003	1	Upright Assembly: Right
-	AK60-00136-0001	1	Upright Assembly: Left
-	AK60-00042-0000	1	Heart Rate Cable

Lifesprings And Anti-Static Tinsel



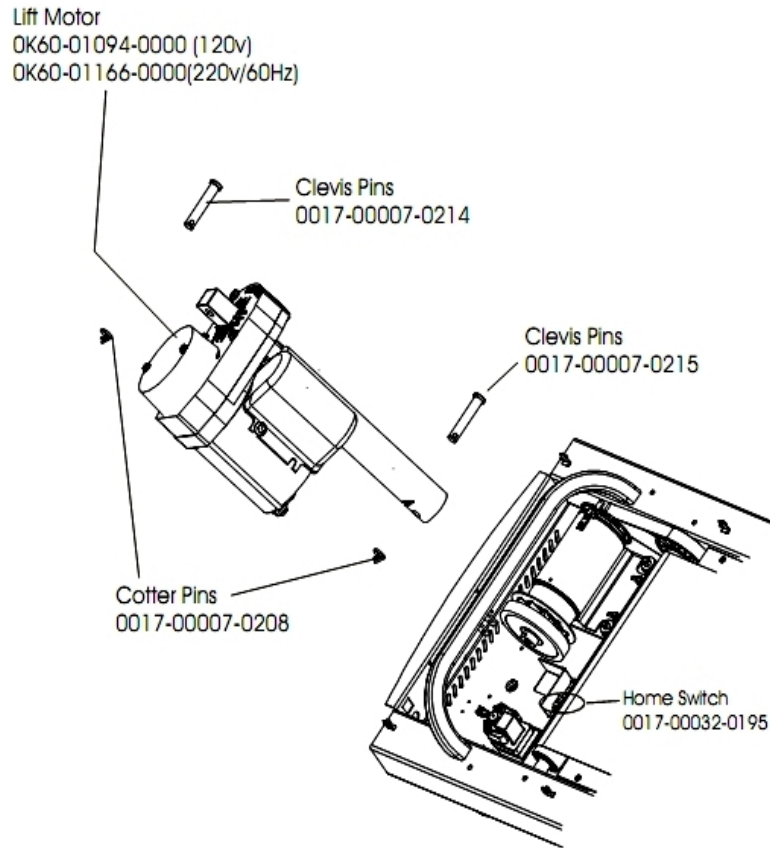
Ref #	Part Number	Qty	Description
-	0017-00103-0198	4	Hardware: Tinnerman Clip 1/4" ID
-	0017-00101-1775	4	Hardware: Deck Screws 1.25"
-	OK40-01026-0002	8	Deck Spring
-	0017-00101-1652	8	Hardware: Spring Mounting Screw 1"
-	OK60-01055-0000	1	Anti-Static Tinsel
-	0017-00104-0072	8	Hardware: Flat Washer 0.562" OD

Lift Frame Assembly



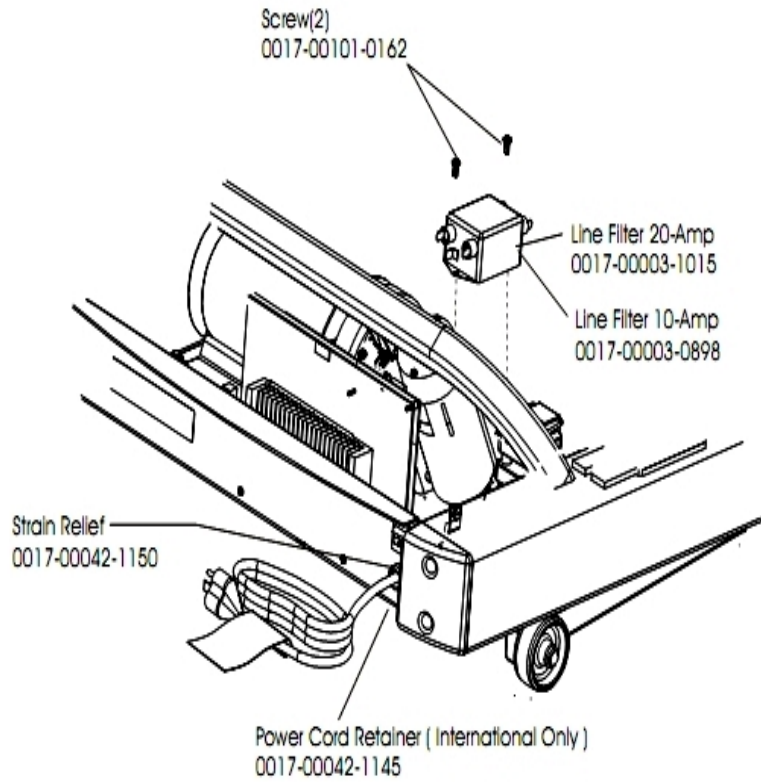
Ref #	Part Number	Qty	Description
-	0017-00007-0271	2	Hardware: Clevis Pin - 1/2" D 2.75" L
-	AK60-00065-0000	1	Lift Frame Assembly
-	OK60-01020-0000	2	Wheel
-	0017-00007-0208	2	Hardware: Cotter Pin
-	6836601	2	Cap, End 1 X 1-1/2 11 GA

Lift Motor And Home Switch



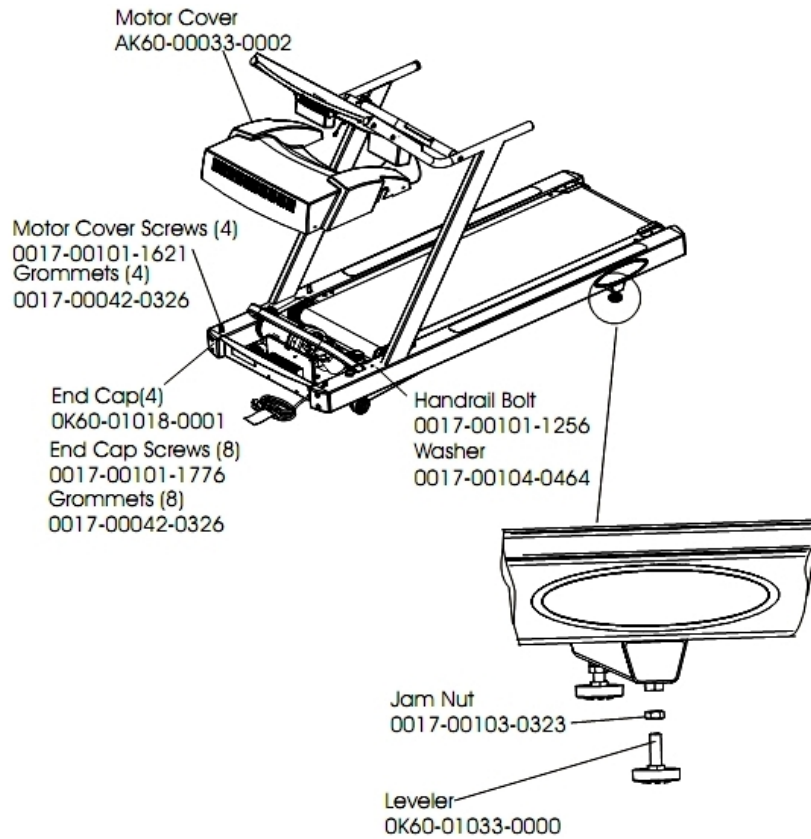
Ref #	Part Number	Qty	Description
-	0017-00032-0195	1	Home Switch
-	0017-00007-0214	1	Hardware: Clevis Pin 3/8" D 1.75" L
-	0017-00007-0208	2	Hardware: Cotter Pin
-	OK60-01166-0000	1	Lift Motor (220v)

Line Cord And Line Filter



Ref #	Part Number	Qty	Description
-	0017-00101-0162	2	Hardware: Screw 0.375"
-	0017-00003-0696	1	Line Cord: International High Voltage (Cont.) 103"
-	0017-00003-0898	1	10 amp Line Filter (INT)
-	0017-00042-1150	1	Strain Relief

Motor Cover, Leveler And End Caps

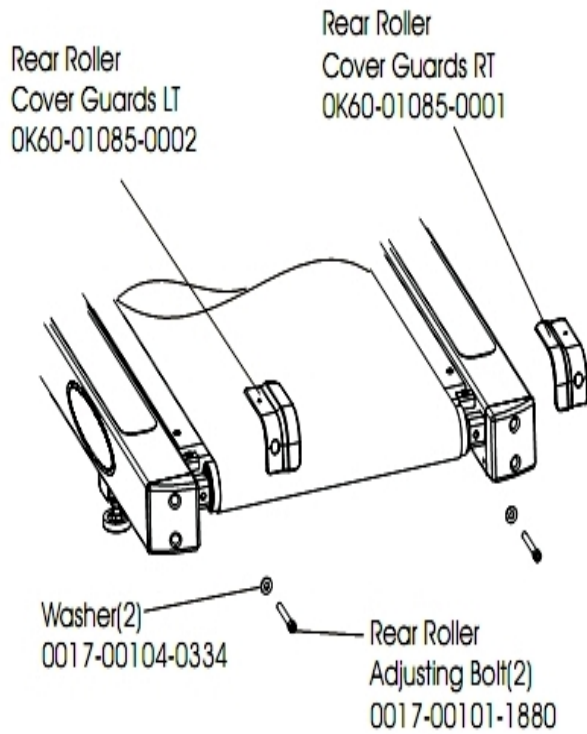


Ref #	Part Number	Qty	Description
-	0017-00101-1256	2	Hardware: Mounting Bolt 5"
-	OK60-01033-0000	2	Leg Leveler
-	0017-00104-0464	2	Hardware: Flat Washer 0.734" OD
-	0017-00103-0323	2	Hardware: Nut 1/2" ID
-	OK60-01018-0001	4	End Cap
-	AK60-00033-0002	1	Motor Cover

References

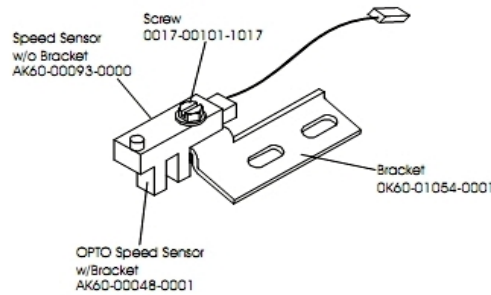
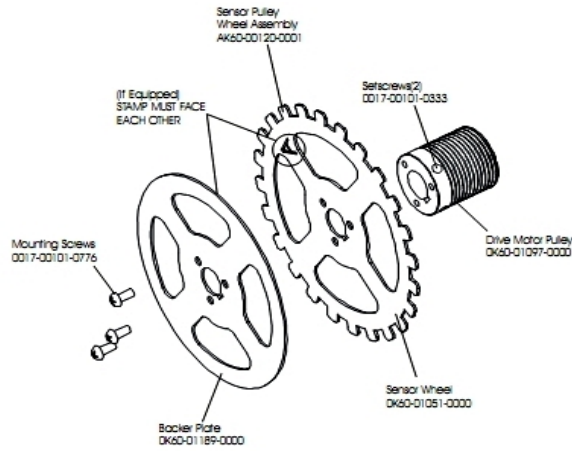
Ref #	Part Number	Qty	Description
-	0017-00008-0205	1	5 oz Bottle - Arctic Silver
-	0017-00008-0204	1	Paint Spray Can - Arctic Silver
-	AK32-00078-0001	1	Power Extension Cable: 120"
-	AK60-00162-0000	1	Hardware Bag
-	AK32-00020-0002	1	Coax Cable: 120"
-	M051-00K60-A013	1	Service Manual
-	0017-00008-0206	1	.33oz Pen - Arctic Silver
-	M051-00K60-A028	1	Operation Manual

Roller Guard Assembly



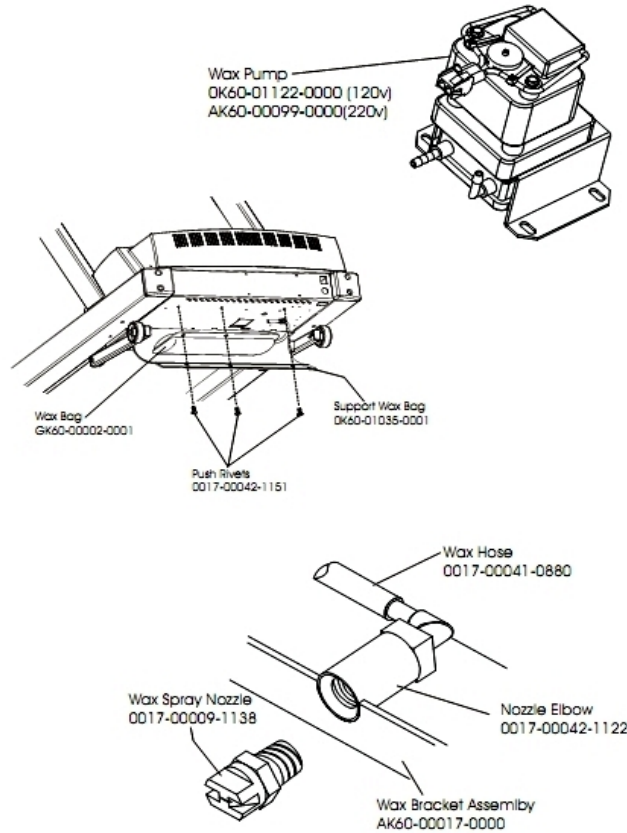
Ref #	Part Number	Qty	Description
-	0017-00101-1779	2	Hardware: Rear Roller Adjusting Bolt
-	0K60-01085-0001	1	Roller Guard: Right
-	0K60-01085-0002	1	Roller Guard: Left
-	0017-00104-0334	2	Hardware: Flat Washers 0.880" OD

Sensors



Ref #	Part Number	Qty	Description
-	AK60-00120-0001	1	Chopper Pulley Wheel Assembly
-	OK60-01054-0001	1	Bracket
-	OK60-01189-0000	1	Backer Plate
-	0017-00101-0333	2	Hardware: Screw 0.3125"
-	AK60-00093-0000	1	Speed Sensor without Bracket
-	0017-00101-1017	1	Hardware: Leg Cover Screws
-	0017-00101-0776	3	Hardware: Mounting Screws
-	OK60-01097-0000	1	Drive Motor Pulley
-	OK60-01051-0000	1	Sensor Wheel
-	AK60-00048-0001	1	OPTO Speed Sensor with Bracket

Wax Pump, Bag, Nozzle And Bracket



Ref #	Part Number	Qty	Description
-	0017-00009-1138	1	Wax Spray Nozzle
-	0017-00041-0880	1	Wax Hose
-	GK60-00002-0001	1	Wax Bag
-	AK60-00017-0000	1	Wax Nozzle Assembly
-	OK60-01035-0001	1	Support Wax Bag
-	0017-00042-1122	1	Nozzle Elbow
-	AK60-00099-0000	1	Wax Motor: 220V
-	0017-00042-1151	3	Push Rivets

