

91X Classic Rear Drive Cross-Trainer

91X-0000-01

Parts Manual

1/5/2019 7:16:55 AM

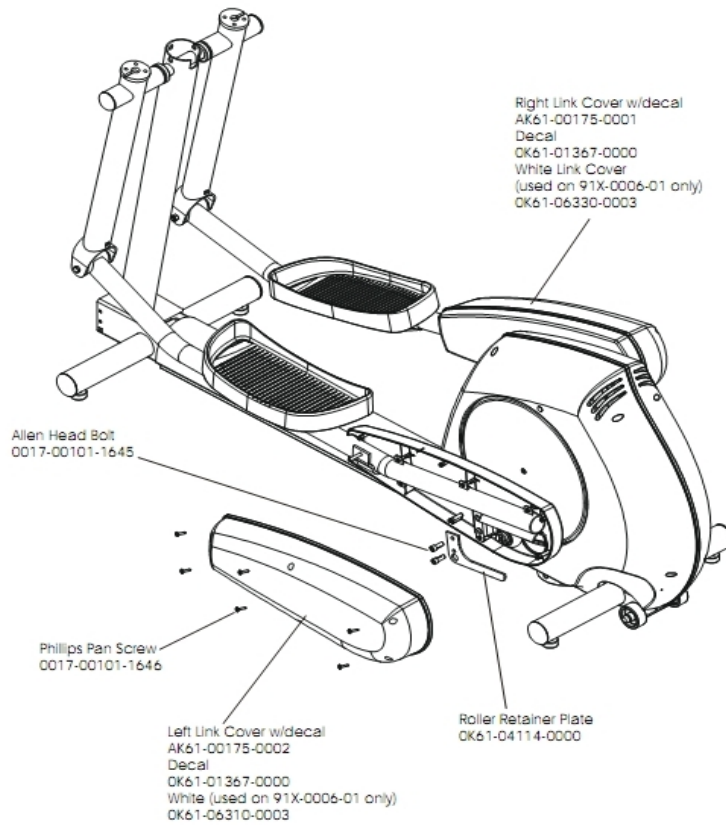


LifeFitness
WHAT WE LIVE FOR

Table of Contents

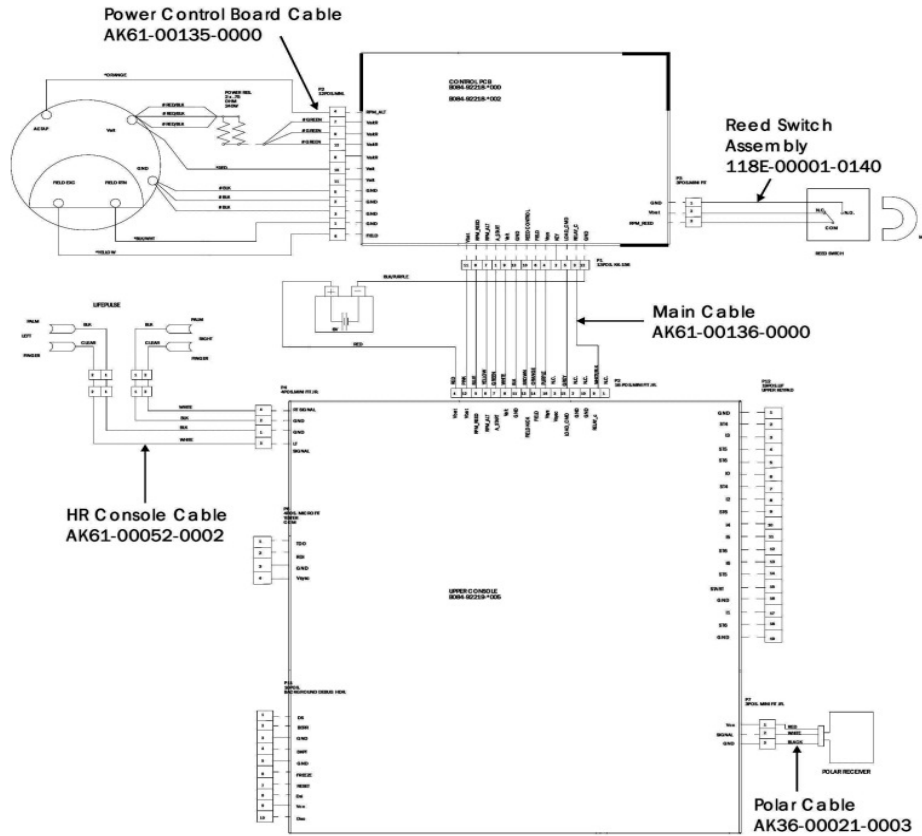
Anti Lift Bracket And Outer Pedal Covers.....	3
Cables.....	4
Clevis And Front Frame Covers.....	5
Console Assembly.....	6
Console Support Assembly.....	7
Crankshaft Assembly.....	8
Drive Belts And Alternator.....	9
Frame Assembly.....	10
Pedal Lever Assembly.....	11
Rear Drive Shrouds With Decals.....	12
References.....	13
Rocker Arm Assembly.....	14
Rocker Arm Covers.....	15
Roller Assembly.....	16
Tie Rod Kit.....	17
Upper Arm/Heart Rate Assembly.....	18

Anti Lift Bracket And Outer Pedal Covers



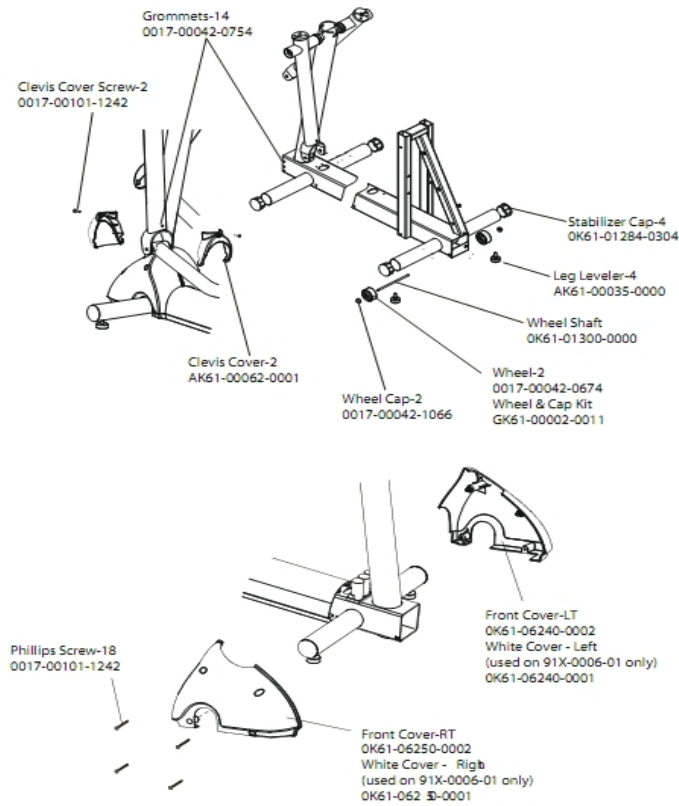
Ref #	Part Number	Qty	Description
-	0017-00101-1646	1	Hardware: Bolt 4.25"
-	OK61-06330-0003	1	White Link Cover
-	OK61-01367-0000	2	Decal
-	AK61-00175-0002	1	Link Cover with Decal: Left
-	OK61-04114-0000	1	Roller Retainer Plate
-	AK61-00175-0001	1	Link Cover with Decal: Right
-	0017-00101-1645	1	Hardware: Bolt

Cables



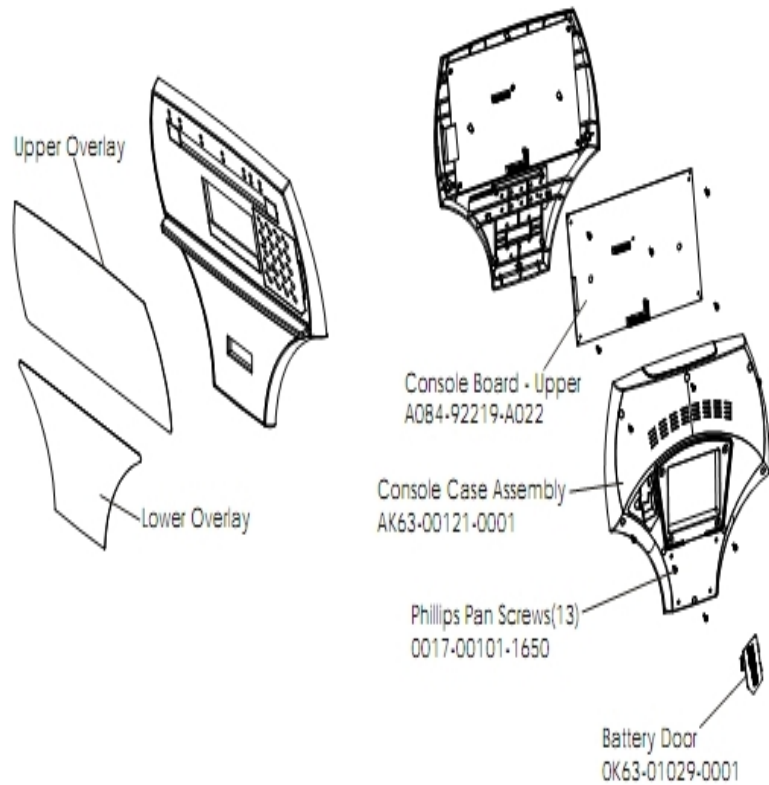
Ref #	Part Number	Qty	Description
-	118E-00001-0140	1	Reed Switch SPDT
-	AK61-00136-0000	1	Main Cable
-	AK61-00052-0002	1	Lifepulse Sensor Cable
-	AK61-00135-0000	1	Power Control Cable Assembly
-	AK36-00021-0003	1	Cable Assembly

Clevis And Front Frame Covers



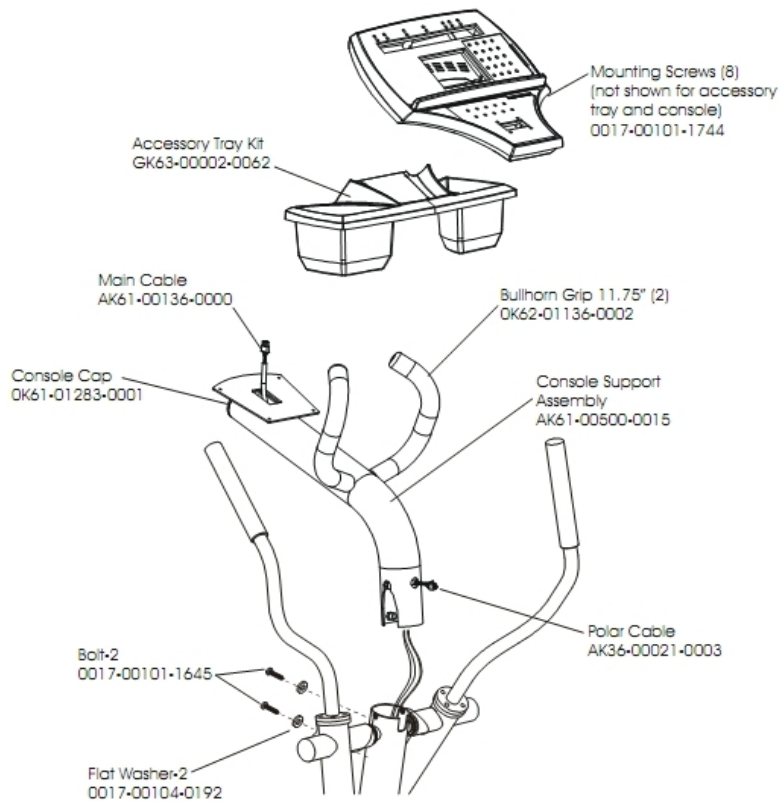
Ref #	Part Number	Qty	Description
-	0017-00042-0674	2	Wheel
-	OK61-06240-0002	1	Front Cover Left
-	AK61-00035-0000	4	Leg Leveler
-	GK61-00002-0011	1	Wheel and Cap Kit
-	AK61-00062-0001	2	Clevis Cover
-	OK61-01300-0000	1	Wheel Shaft
-	0017-00101-1242	20	Hardware: Phillips Pan Screw 0.75"
-	OK61-06250-0002	1	Front Cover-RT
-	OK61-01284-0304	4	Stabilizer Cap
-	0017-00042-0754	14	Hardware: Grommet
-	0017-00042-1066	2	Push-on cap

Console Assembly



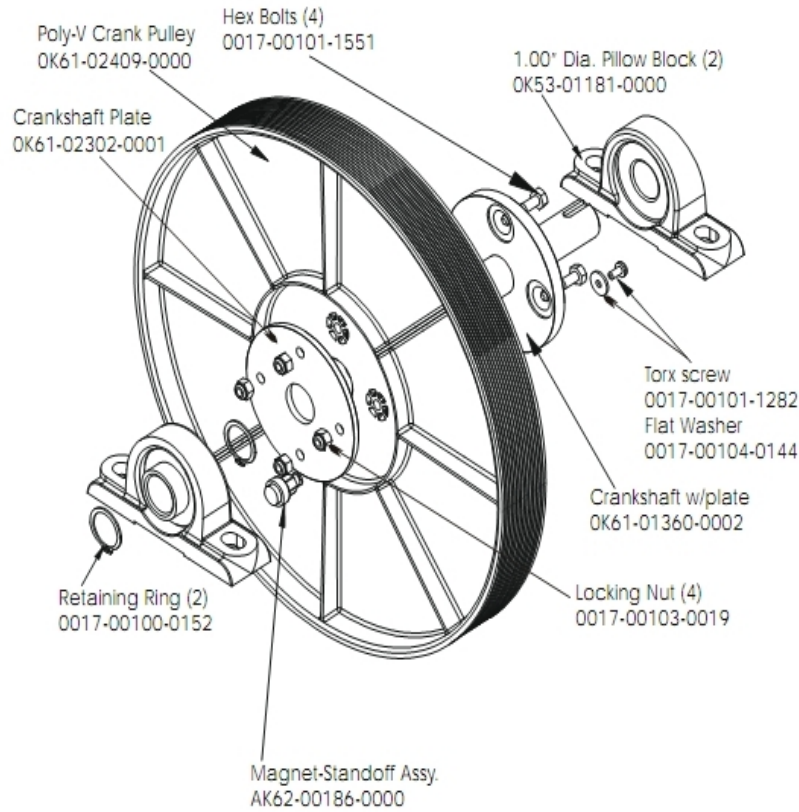
Ref #	Part Number	Qty	Description
-	OK63-01029-0001	1	Battery Door
-	AK63-00121-0001	1	Console Case Assembly
-	0017-00101-1650	13	Hardware: Phillips Pan Screw 0.375"
-	A084-92219-A022	1	Console Board - Upper
-	AK61-00203-0001	1	Console: English/English
-	AK61-00183-0001	1	Bezel Switch with Overlay: English/Metric

Console Support Assembly



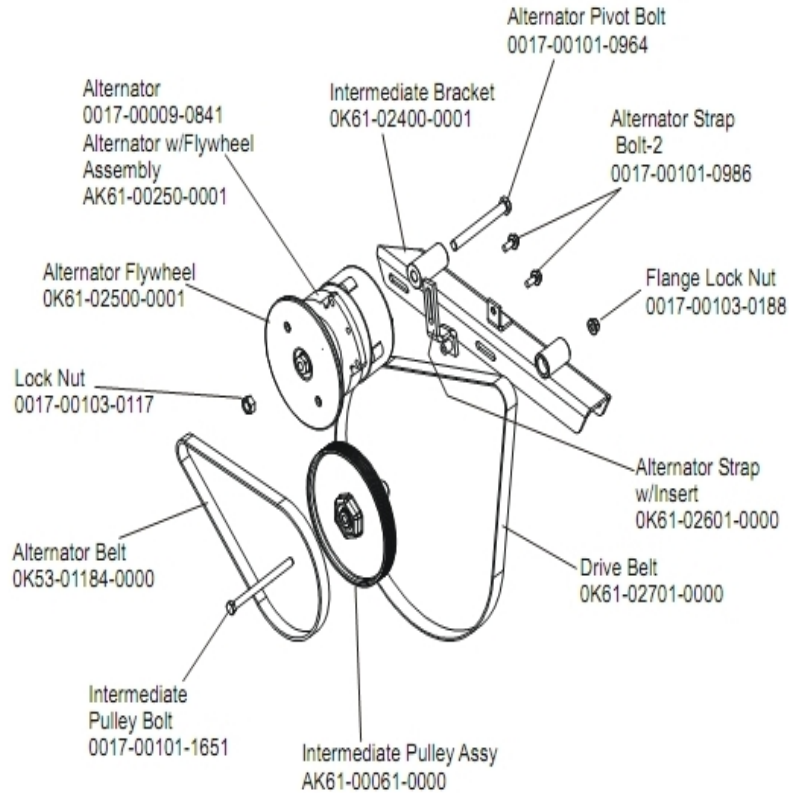
Ref #	Part Number	Qty	Description
-	AK61-00136-0000	1	Main Cable
-	GK63-00002-0062	1	Accessory Tray Kit
-	0017-00101-1744	8	Hardware: Phillips Pan Screw
-	AK36-00021-0003	1	Cable Assembly
-	0017-00104-0192	2	Hardware: Flat Washer 0.813" OD
-	0017-00101-1645	2	Hardware: Bolt
-	AK61-00500-0015	1	Console Support Assembly
-	OK61-01283-0001	1	Cap
-	OK62-01136-0002	2	Bullhorn Grip 11.75"

Crankshaft Assembly



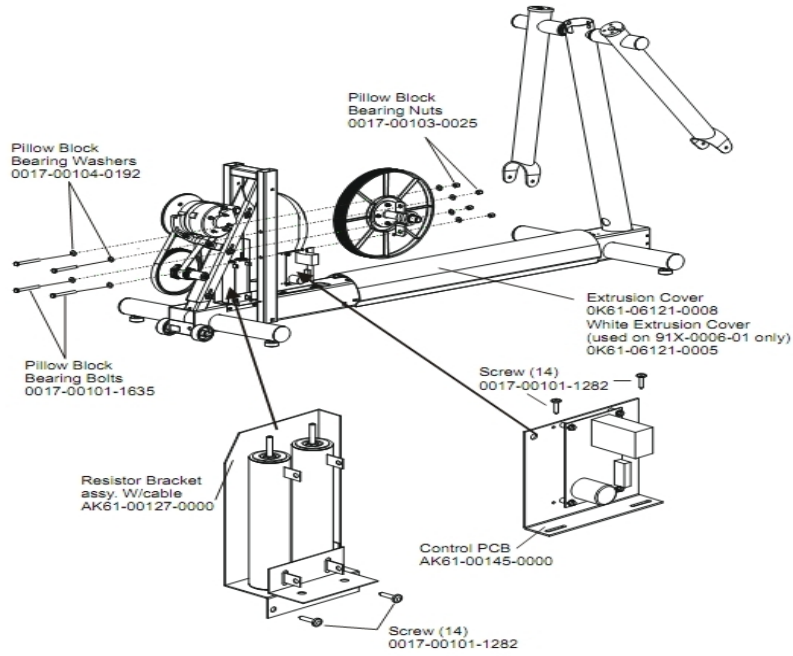
Ref #	Part Number	Qty	Description
-	AK61-00157-0002	1	Crankshaft Assembly
-	OK61-02302-0001	1	Crankshaft Plate
-	OK53-01181-0000	2	Hardware: Pillow Block Bearing
-	0017-00101-1551	4	Hardware: Hex Bolt 1.25"
-	0017-00101-1282	1	Hardware: TORX Screw 0.375"
-	OK61-02409-0000	1	Poly-V Crank Pulley
-	AK62-00186-0000	1	Magnet-Standoff Assembly
-	0017-00100-0152	2	Hardware: Retaining Ring 1"
-	0017-00104-0144	1	Hardware: Washer 0.625" OD
-	OK61-01360-0002	1	Crankshaft w/plate
-	0017-00103-0019	4	Hardware: Locking Nut 1/4" ID

Drive Belts And Alternator



Ref #	Part Number	Qty	Description
-	OK53-01447-0000	1	Belt: Poly-V; 32"
-	OK61-01027-0000	1	Flywheel: 6.75" D
-	GK61-00002-0056	1	KIT: CROSS TRAINER BELT AND PULLEY
-	0017-00101-0986	2	Hardware: Bolt 0.75"
-	0017-00103-0117	1	Hardware: Locking Nut 1/2" ID
-	AK61-00250-0001	1	Alternator w/Flywheel
-	OK61-02601-0000	1	Alternator Strap with Insert
-	0017-00103-0188	1	Hardware: Flange Lock Nut 3/8" ID
-	0017-00101-1651	1	Hardware: Intermediate Pulley Bolt 5.5"
-	OK61-02400-0001	1	Intermediate Bracket
-	AK61-00061-0000	1	Intermediate Pulley Assembly
-	0017-00009-0841	1	Alternator
-	0017-00101-0964	1	Hardware: Alternator Pivot Bolt 4.5"

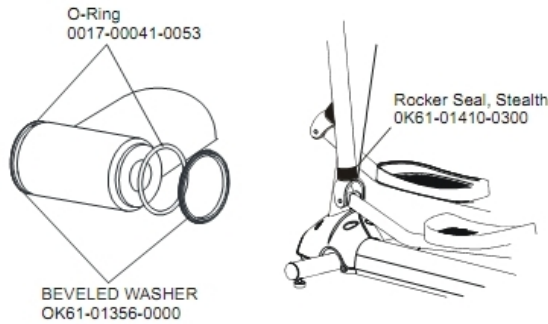
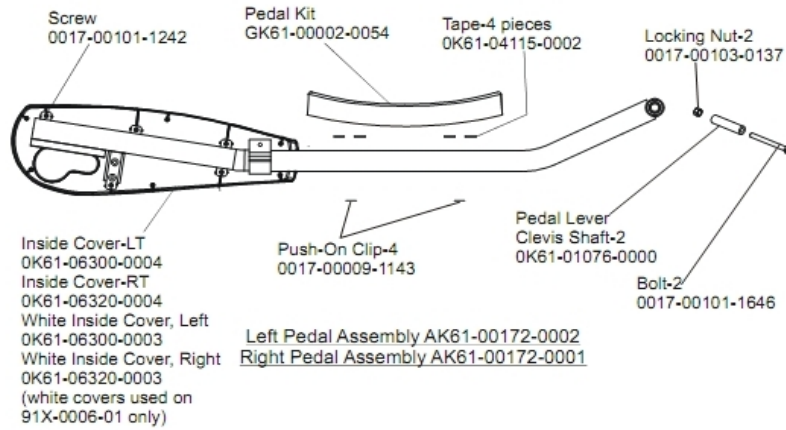
Frame Assembly



11

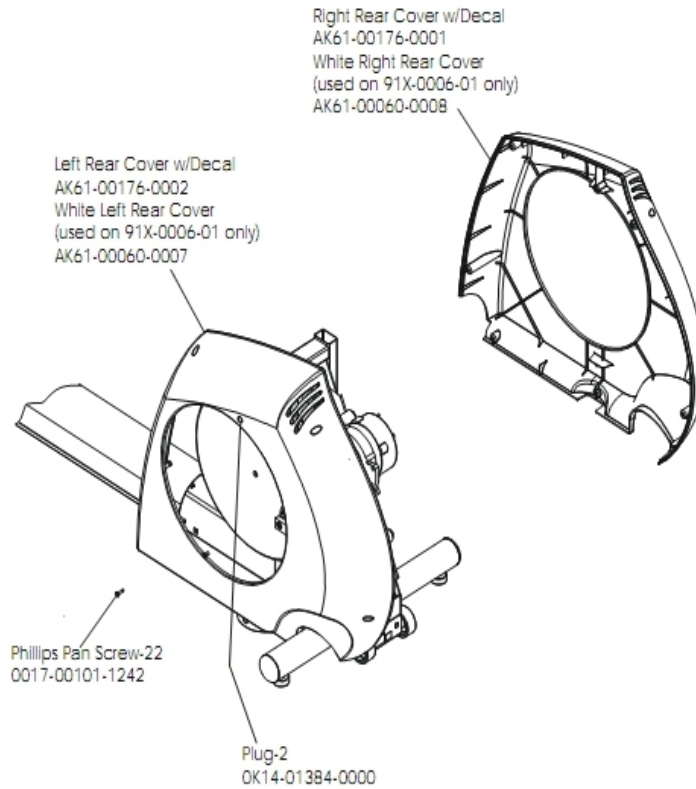
Ref #	Part Number	Qty	Description
-	0017-00104-0192	1	Hardware: Flat Washer 0.813" OD
-	OK61-06121-0008	1	Extrusion Cover
-	0017-00101-1282	28	Hardware: TORX Screw 0.375"
-	0017-00103-0025	1	Hardware: Locking Nut 3/8" ID
-	OK61-06121-0005	1	Extrusion Cover
-	AK61-00145-0001	1	PCB Assembly
-	0017-00101-1635	1	Hardware: Hex Bolt 1"
-	AK61-00127-0000	1	Resistor Bracket Assembly

Pedal Lever Assembly



Ref #	Part Number	Qty	Description
-	0017-00101-1646	2	Hardware: Bolt 4.25"
-	OK61-06320-0004	1	Inside Cover Right
-	OK61-01410-0300	1	Rocker Seal
-	OK61-04115-0002	4	Adhesive Tape
-	0017-00041-0053	1	Viton O-ring
-	OK61-01076-0000	2	Pedal Lever Clevis Shaft
-	OK61-06300-0004	1	Inside Cover Left
-	GK61-00002-0054	1	Pedal Kit
-	AK61-00172-0001	1	Pedal Assembly: Right
-	0017-00101-1242	1	Hardware: Phillips Pan Screw 0.75"
-	0017-00009-1143	4	Clip
-	0017-00103-0137	2	Hardware: Locking Nut 3/8" ID
-	OK61-01356-0000	1	Hardware: Beveled Washer
-	AK61-00172-0002	1	Pedal Assembly: Left

Rear Drive Shrouds With Decals

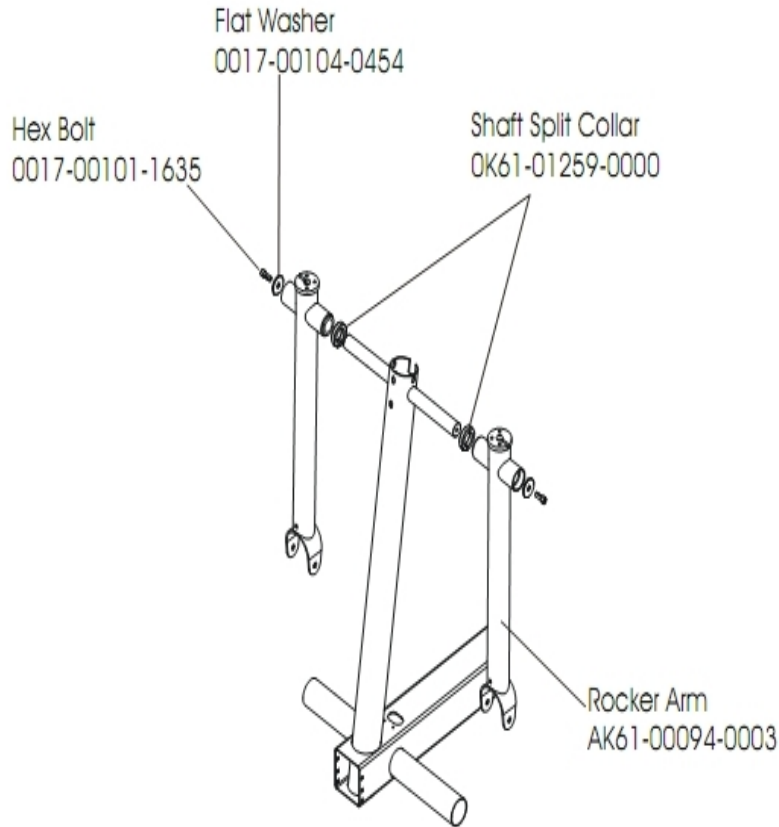


Ref #	Part Number	Qty	Description
-	OK14-01384-0000	2	Plug
-	0017-00101-1242	22	Hardware: Phillips Pan Screw 0.75"
-	AK61-00176-0001	1	Link Cover with Decal: Right
-	AK61-00176-0002	1	Link Cover with Decal: Left

References

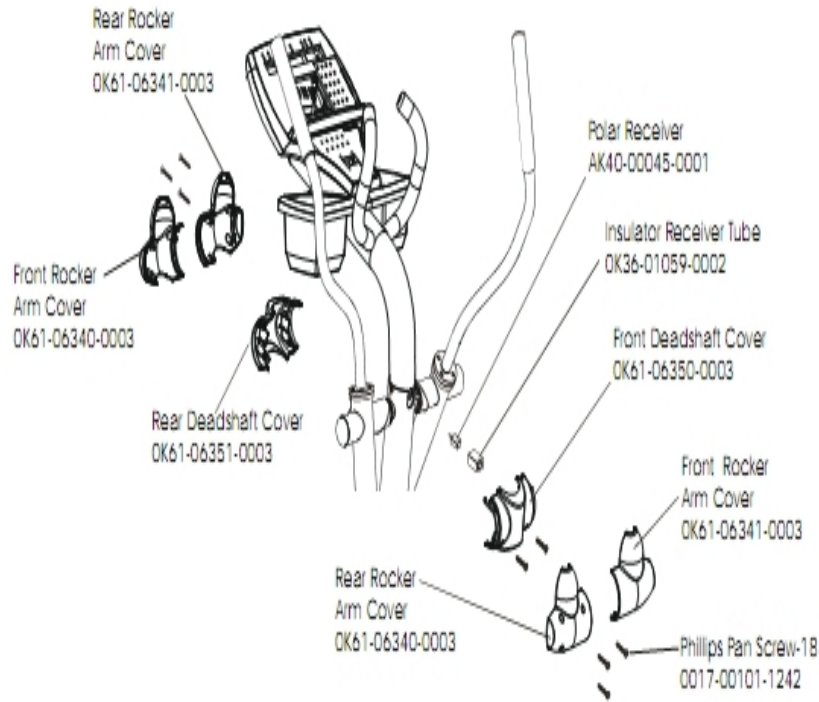
Ref #	Part Number	Qty	Description
-	0017-00008-0198	1	Paint: Stealth Grey; .6OZ. Bottle B
-	0017-00008-0206	1	.33oz Pen - Arctic Silver
-	0K61-01076-0000	1	Pedal Lever Clevis Shaft
-	0017-00008-0199	1	Paint: Stealth Grey; 4.5OZ. Can
-	0017-00003-0685	1	6V Battery
-	0017-00008-0204	1	Paint Spray Can - Arctic Silver
-	SK40-00045-0001	1	Polar HR Kit
-	0017-00008-0205	1	5 oz Bottle - Arctic Silver
-	0017-00101-0333	1	Hardware: Screw 0.3125"
-	AK61-00181-0000	1	Hardware Bag

Rocker Arm Assembly



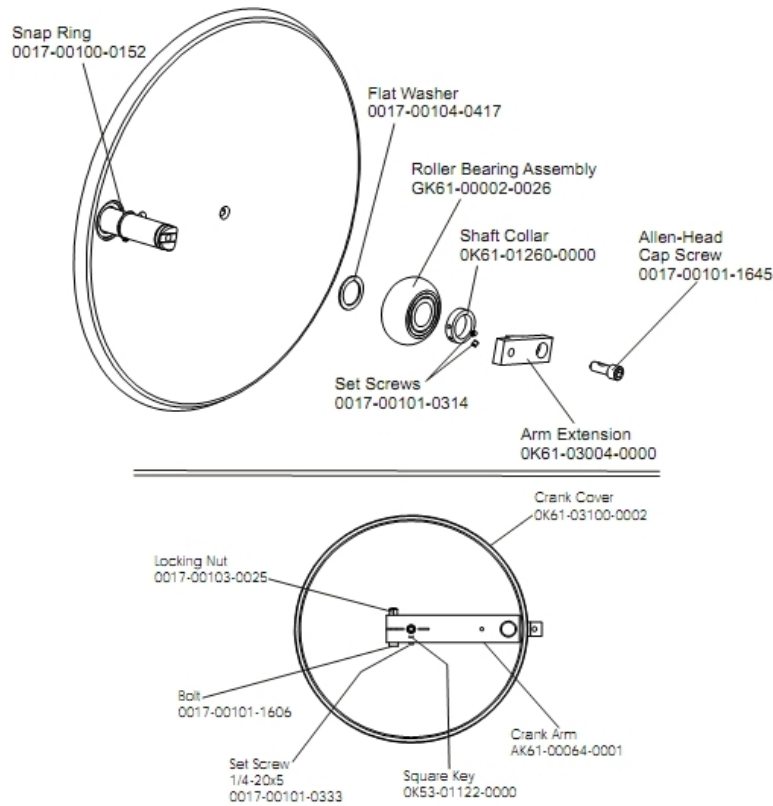
Ref #	Part Number	Qty	Description
-	OK61-01259-0000	1	Shaft Split Collar
-	0017-00101-1635	1	Hardware: Hex Bolt 1"
-	0017-00104-0454	1	Hardware: Flat Washer 1.62" OD
-	AK61-00094-0003	1	Rocker Arm

Rocker Arm Covers



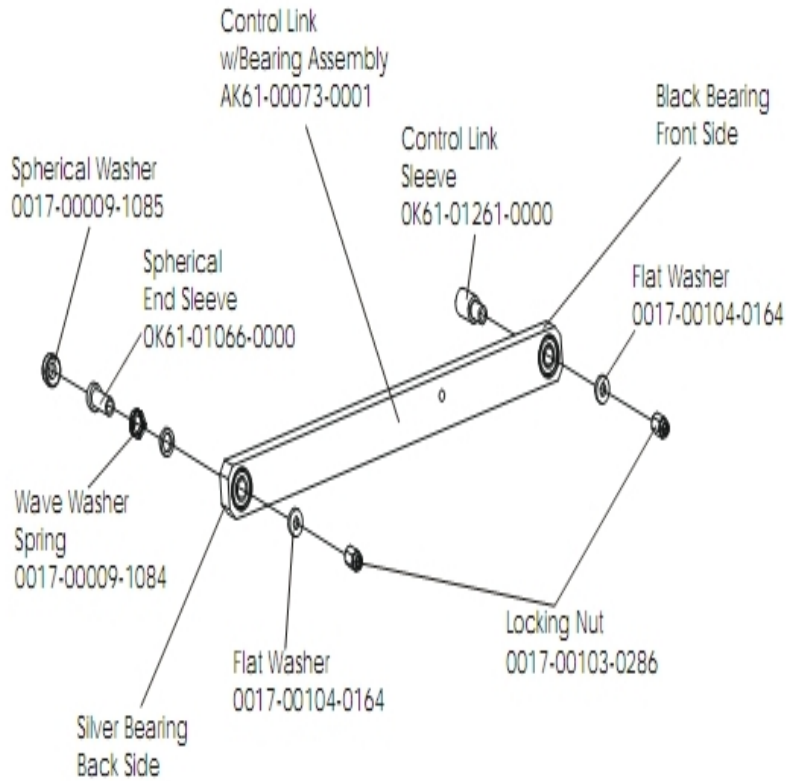
Ref #	Part Number	Qty	Description
-	OK61-06340-0003	2	Front Rocker Arm Cover
-	SK40-00045-0001	1	Polar HR Kit
-	OK61-06350-0003	1	Front Deadshaft Cover
-	OK36-01059-0002	1	Insulator Receiver Tube
-	OK61-06341-0003	2	Front Rocker Arm Cover
-	OK61-06351-0003	1	Rear Deadshaft Cover
-	0017-00101-1242	18	Hardware: Phillips Pan Screw 0.75"

Roller Assembly



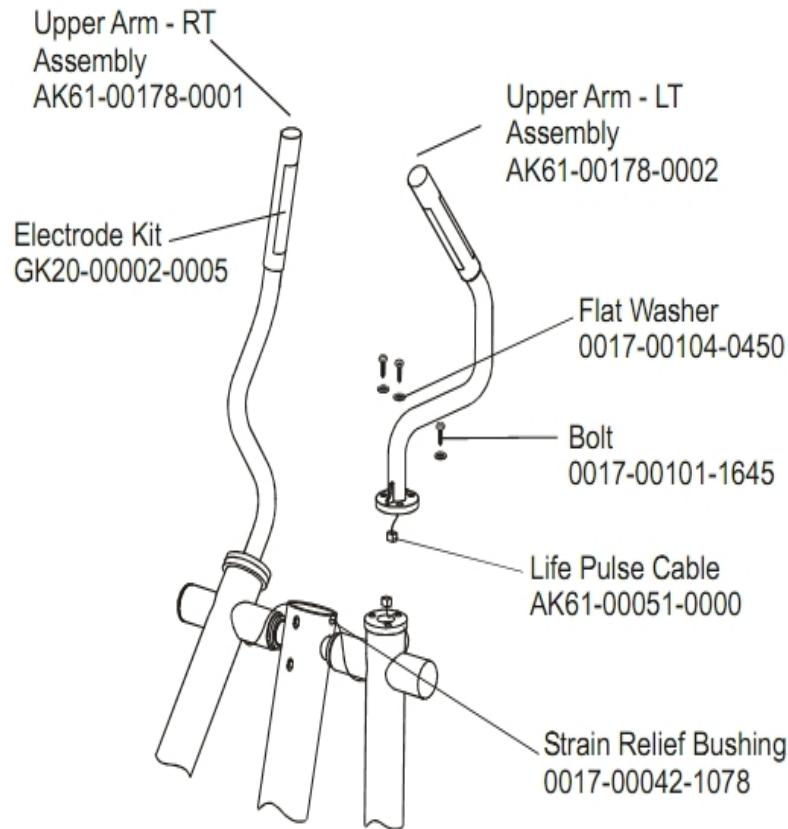
Ref #	Part Number	Qty	Description
-	OK53-01122-0000	1	Square Key
-	0017-00103-0025	1	Hardware: Locking Nut 3/8" ID
-	OK61-03004-0000	1	Arm Extension
-	OK61-03100-0002	1	Crank Cover
-	OK61-01260-0000	1	Crank Arm Shaft Collar
-	0017-00104-0417	1	Hardware: Flat Washer
-	0017-00101-1606	1	Hardware: Hex Bolt 2.5"
-	AK61-00064-0001	1	Crank Arm
-	0017-00101-0333	1	Hardware: Screw 0.3125"
-	0017-00101-1645	1	Hardware: Bolt
-	0017-00100-0152	1	Hardware: Retaining Ring 1"
-	0017-00101-0314	1	Hardware: Screw 0.1875"
-	GK61-00002-0026	1	Roller

Tie Rod Kit



Ref #	Part Number	Qty	Description
-	0017-00103-0286	1	Hardware: Locking Nut
-	0017-00104-0164	2	Hardware: Washer 0.75" OD
-	GK61-00002-0020	2	Drive Linkage Assembly Kit
-	OK61-01261-0000	1	Control Link Sleeve
-	0017-00009-1084	1	Wave Spring
-	OK61-01066-0000	1	Spherical End Sleeve
-	0017-00009-1085	1	Spherical Washer

Upper Arm/Heart Rate Assembly



Ref #	Part Number	Qty	Description
-	AK61-00178-0001	1	Upper Arm Assembly: Right
-	GK20-00002-0005	1	Heart Rate Electrode Kit
-	0017-00104-0450	1	Hardware: Flat Washer 0.67" OD
-	0017-00101-1645	1	Hardware: Bolt
-	0017-00042-1078	1	Hardware: Bushing
-	AK61-00178-0002	1	Upper Arm Assembly: Left
-	AK61-00051-0000	1	Bullhorn HR cables

